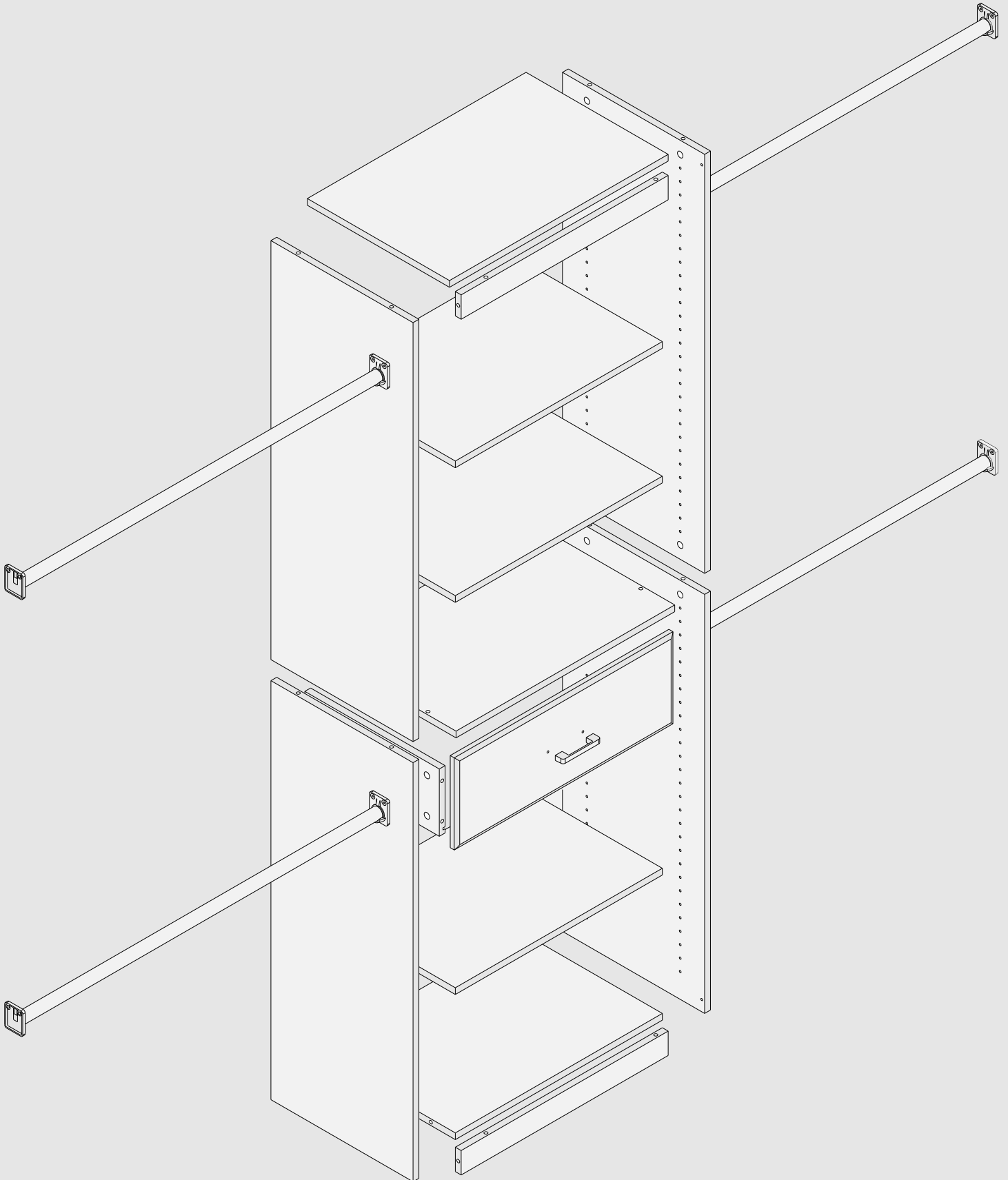
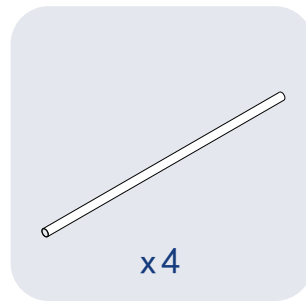
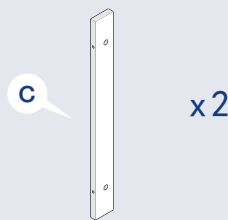
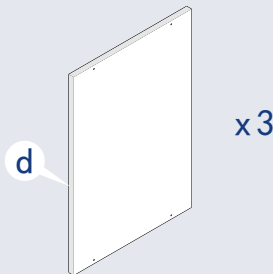
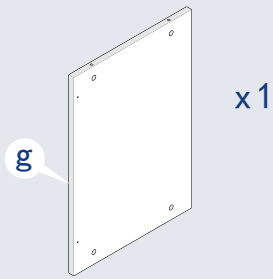
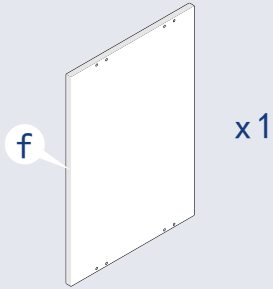
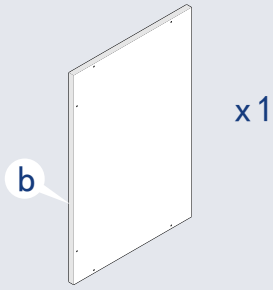
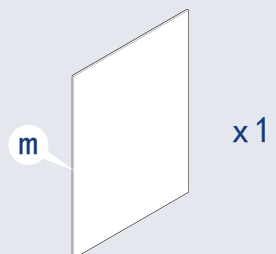
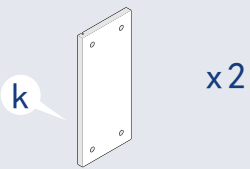
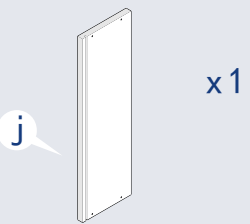
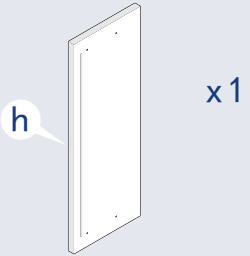
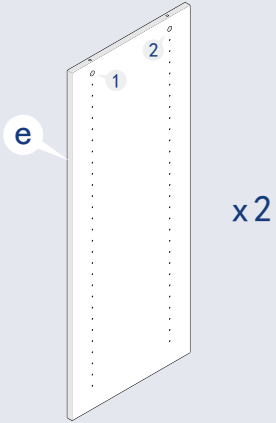
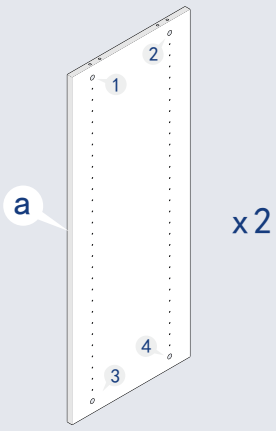


# Closet System Installation

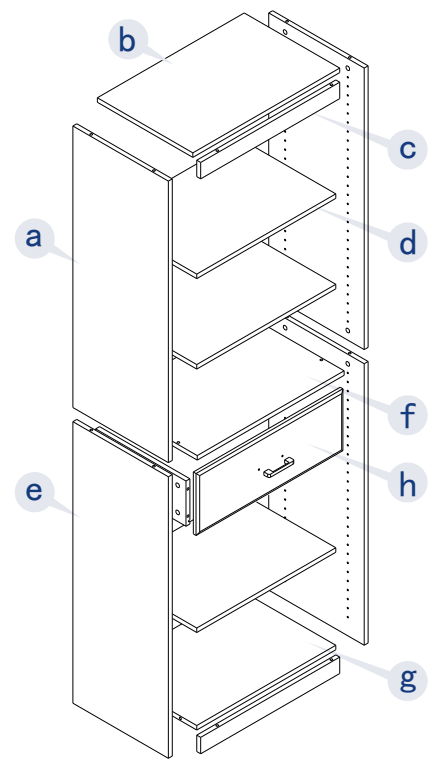
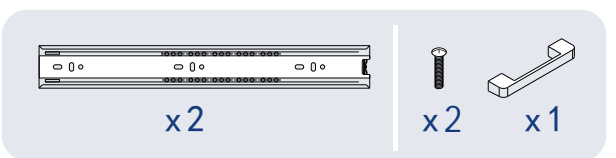
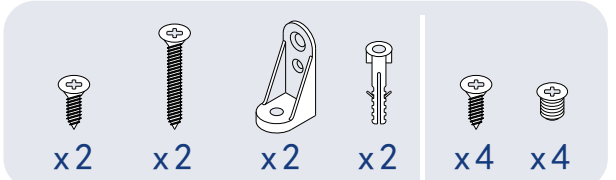
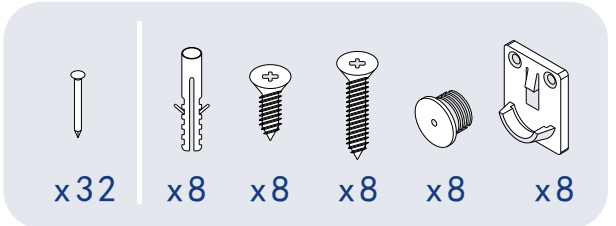
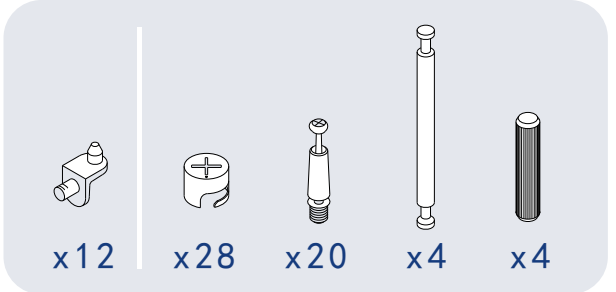




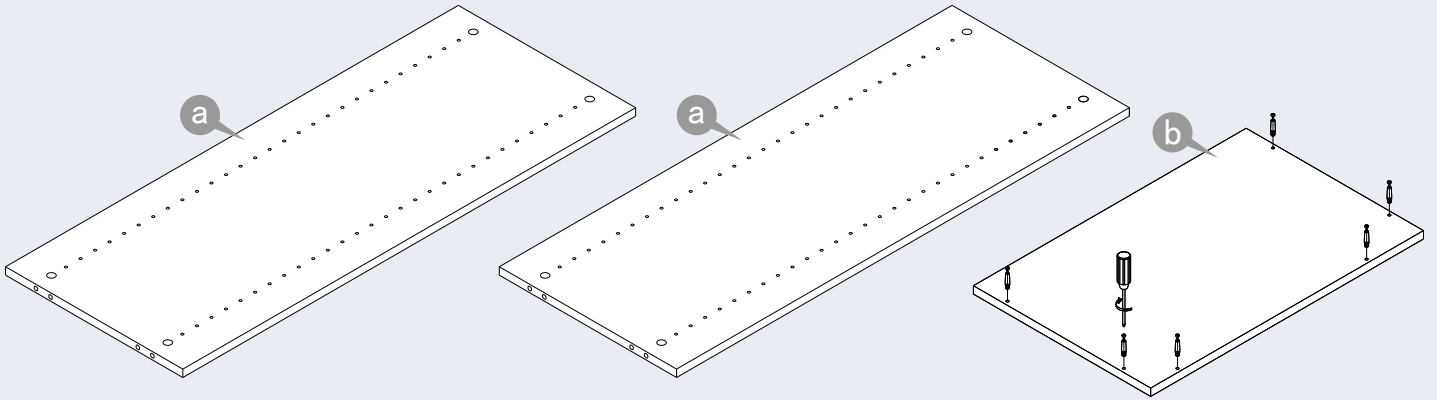
# LOOK INSIDE

← parts included

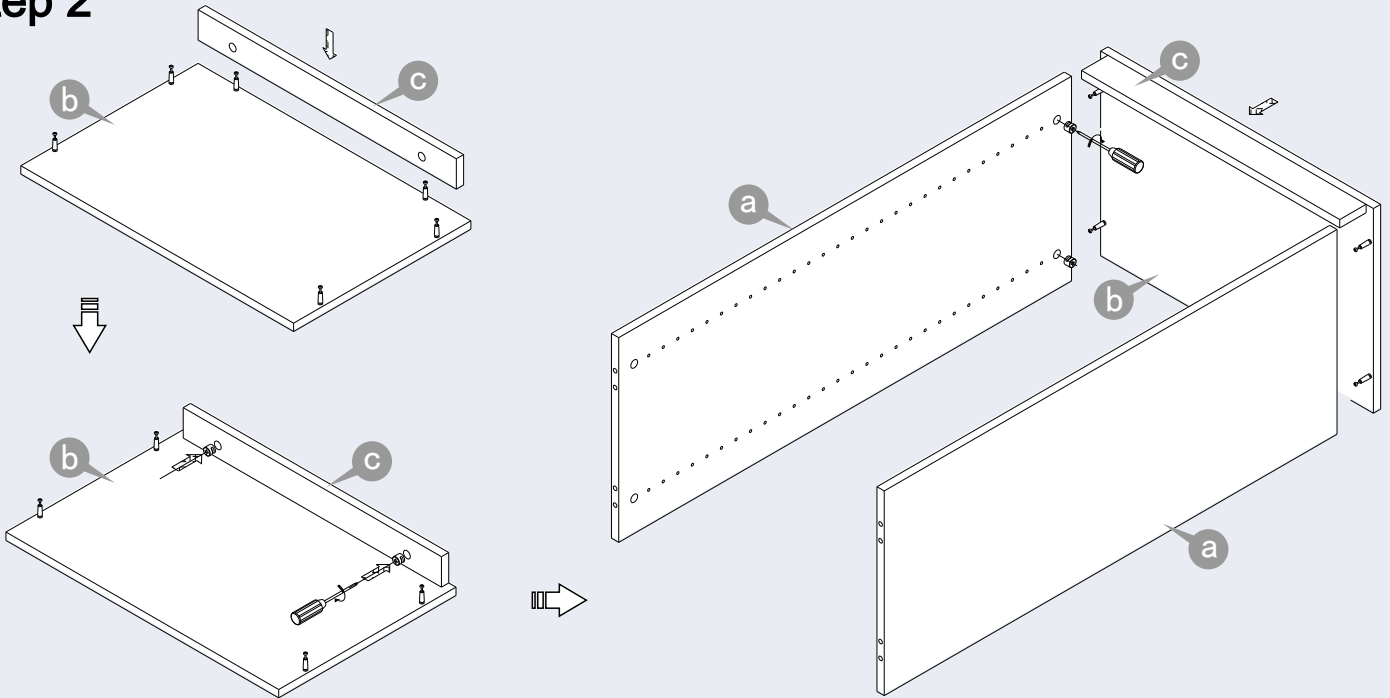
↓ hardware included



# Step 1



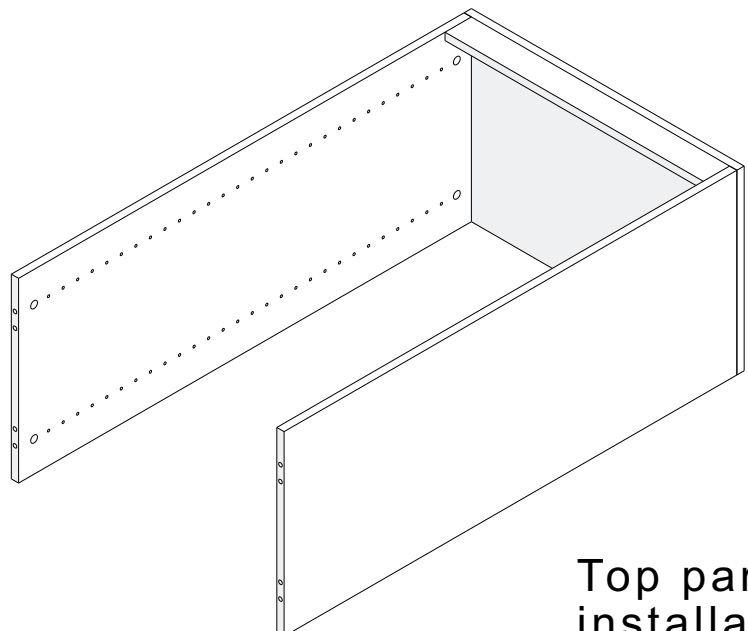
# Step 2



x6

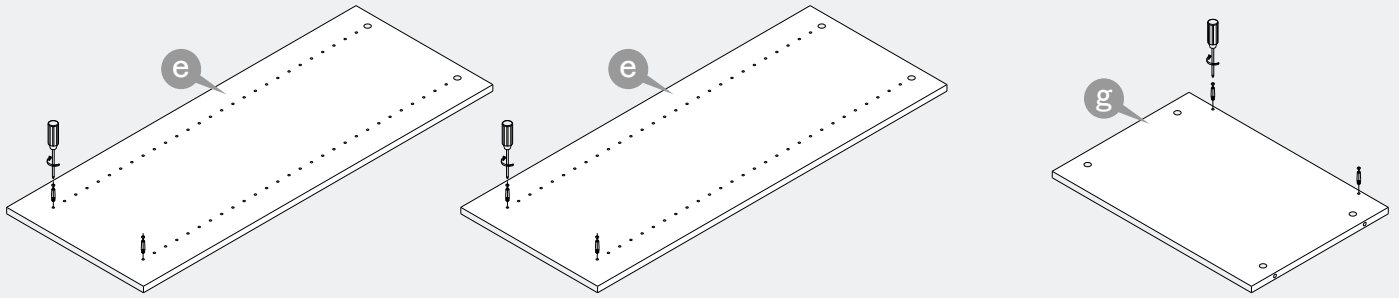


x6

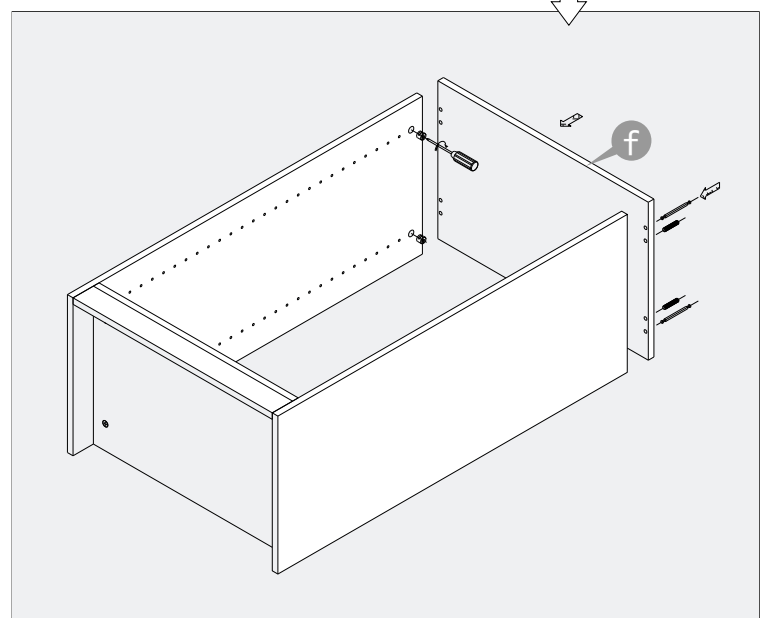
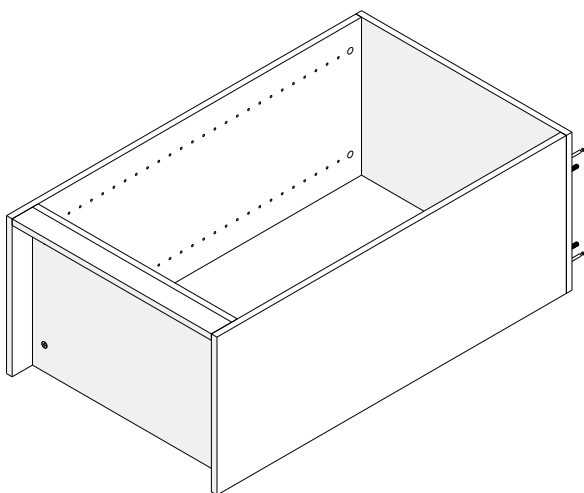
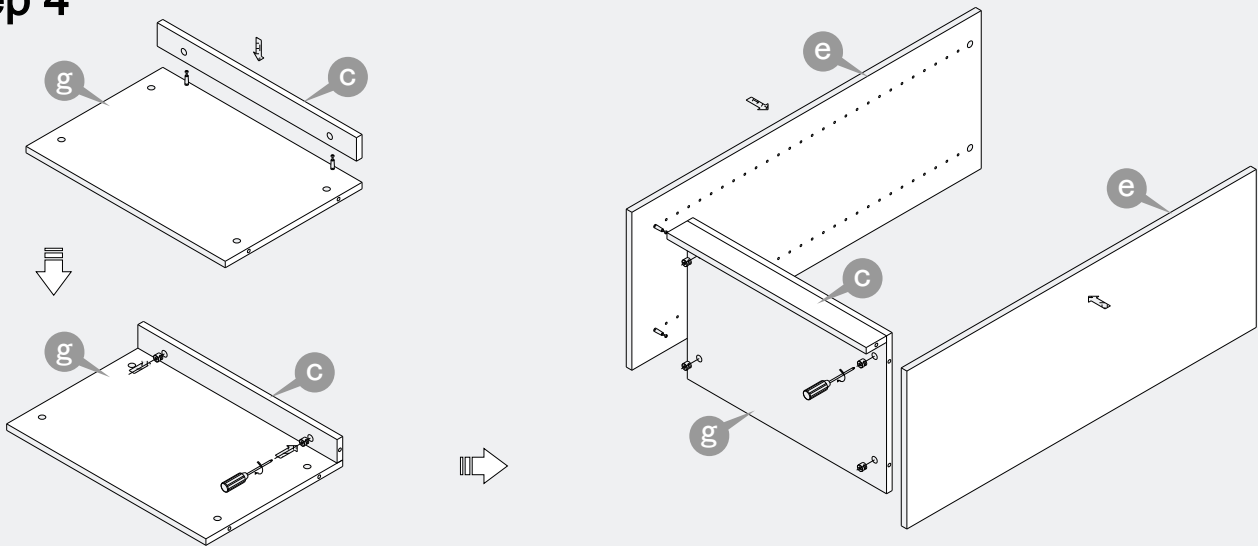


Top part  
installation


### Step 3



### Step 4



Bottom part  
installation

 x10

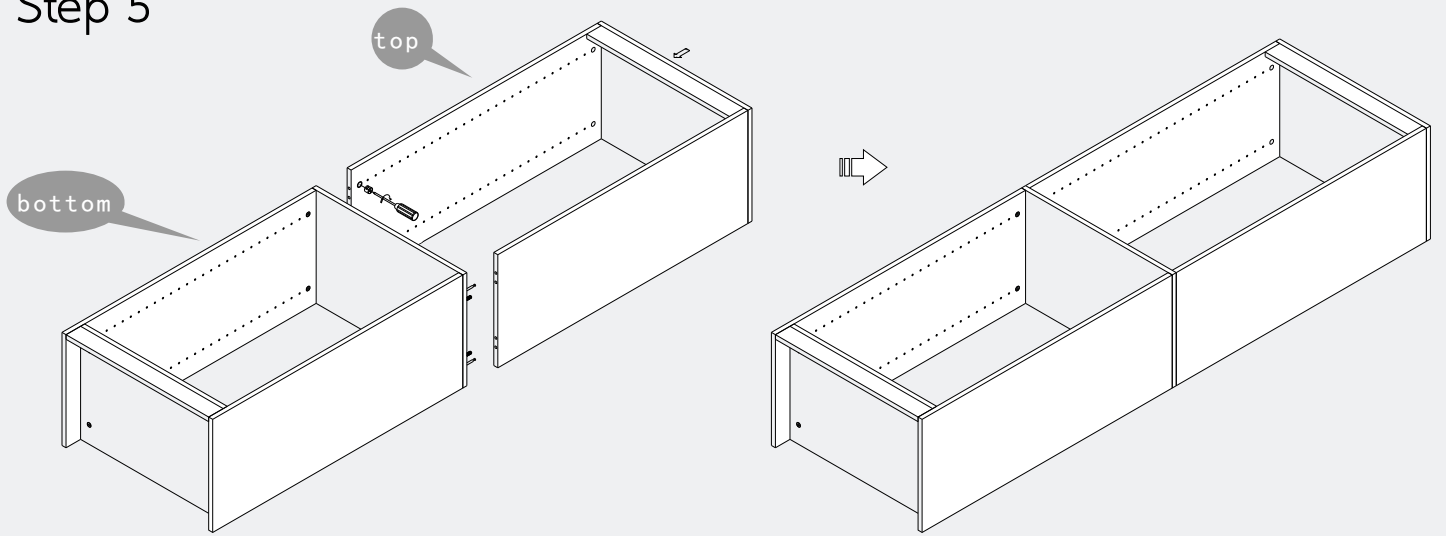
 x6

 x4

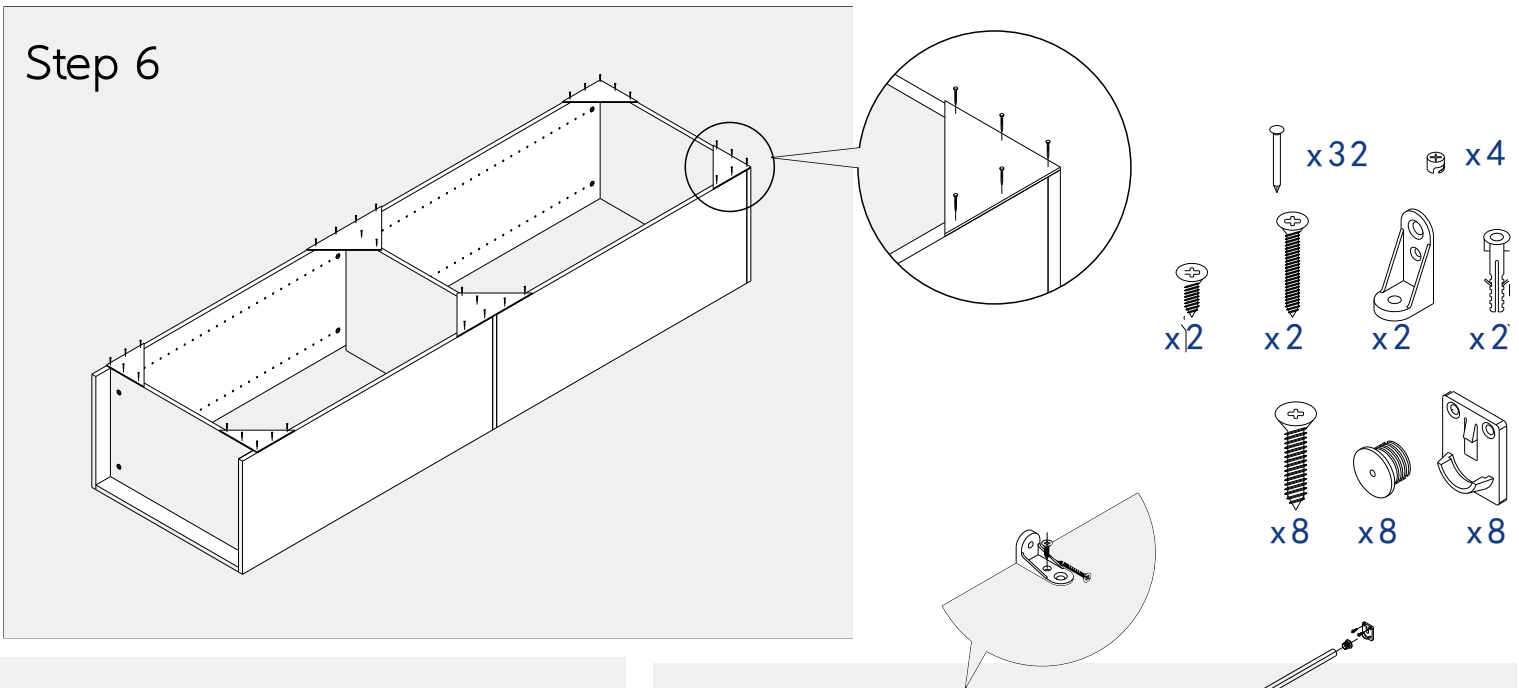
 x4

# Body Assembly

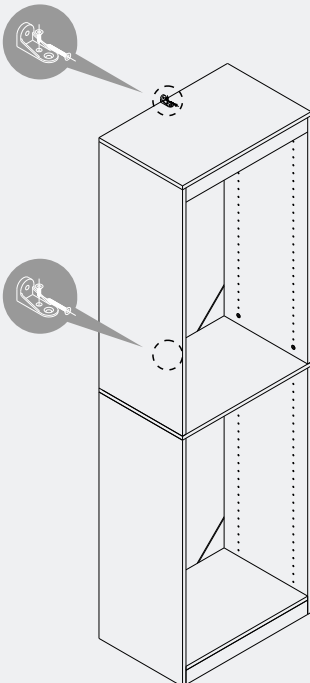
Step 5



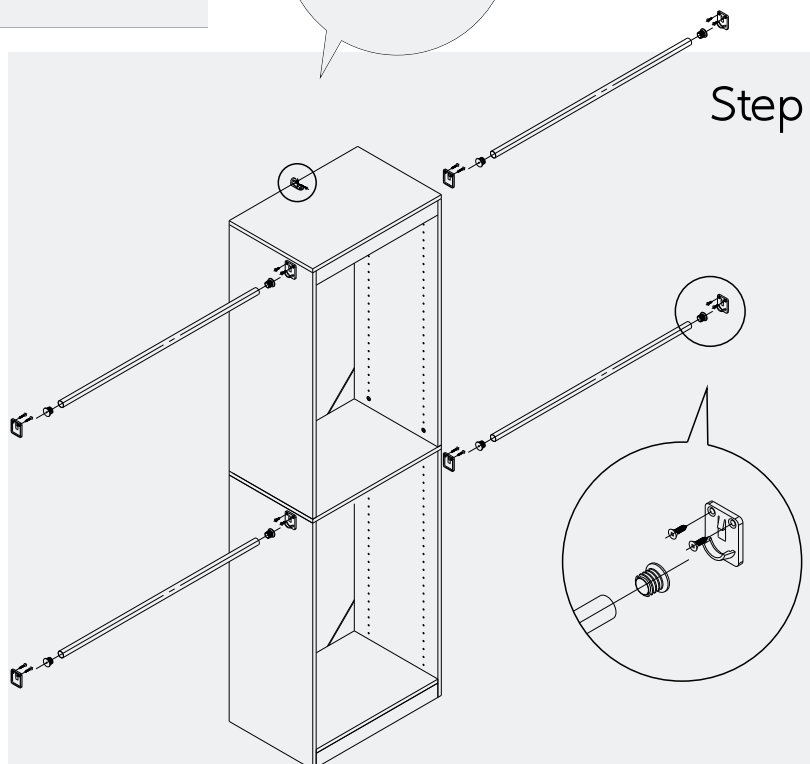
Step 6



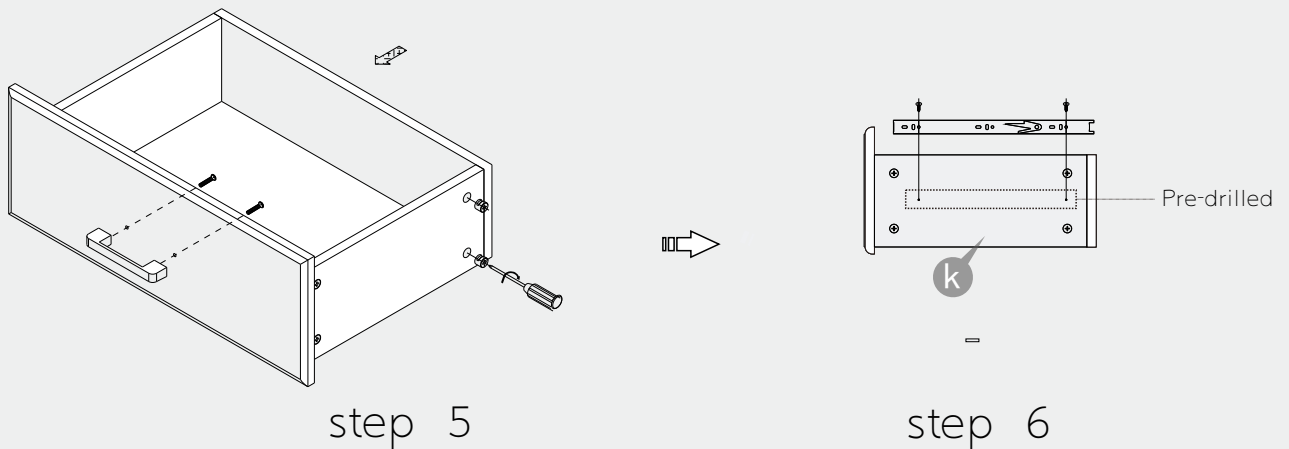
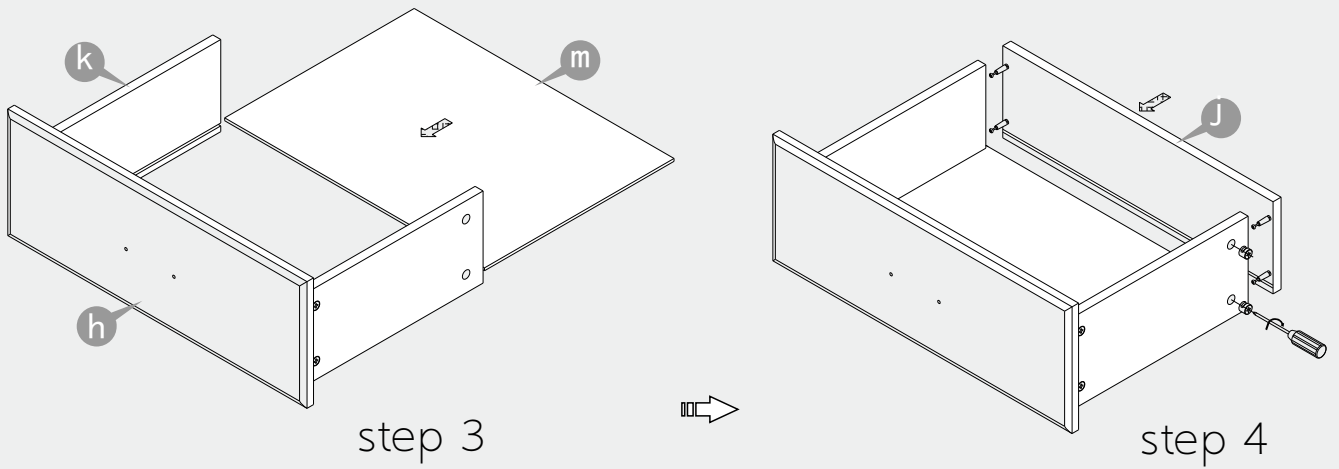
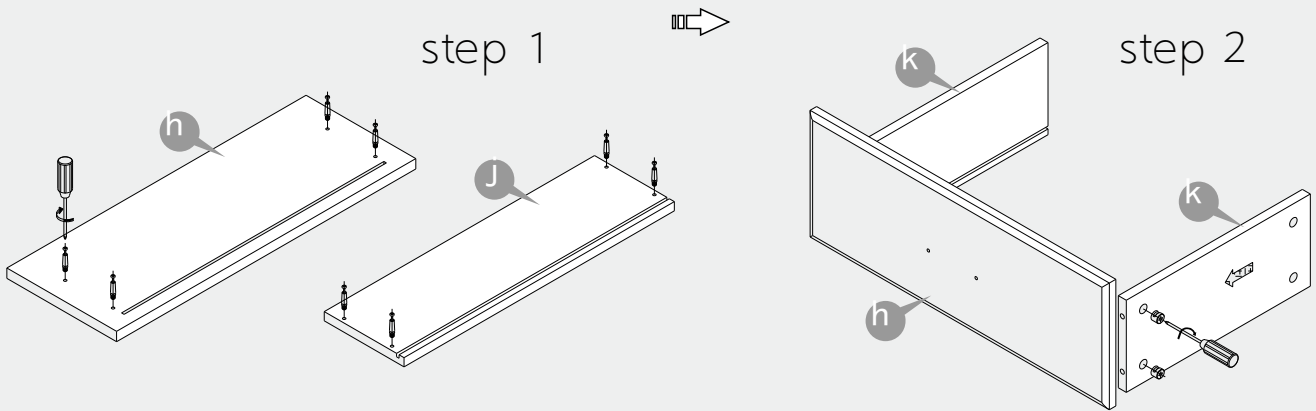
Step 7



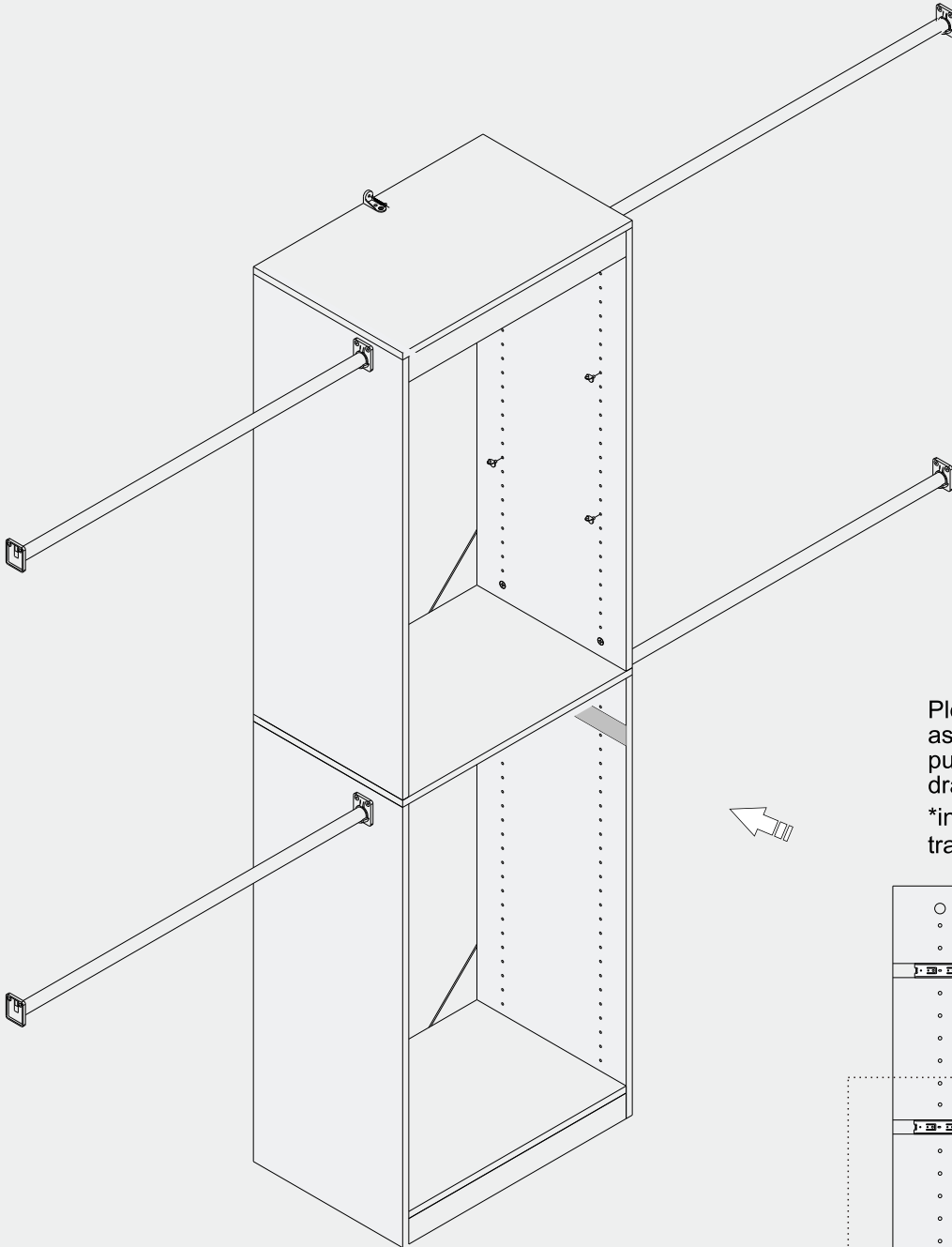
Step 8



# Drawer Assembly

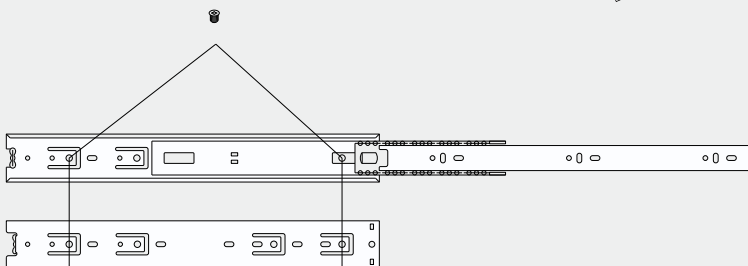
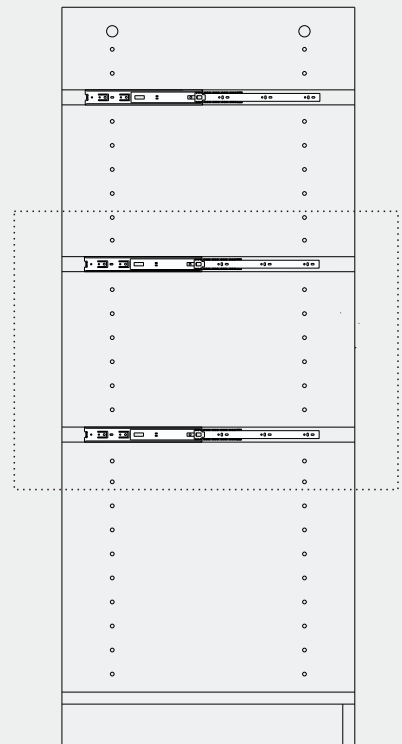


# Drawer in the closet



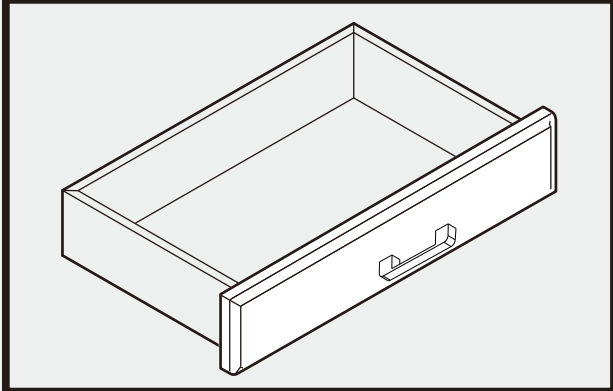
Please install the tracks as below guide if you have purchased the additional drawer sets

\*install the drawer track in the 3rd hole

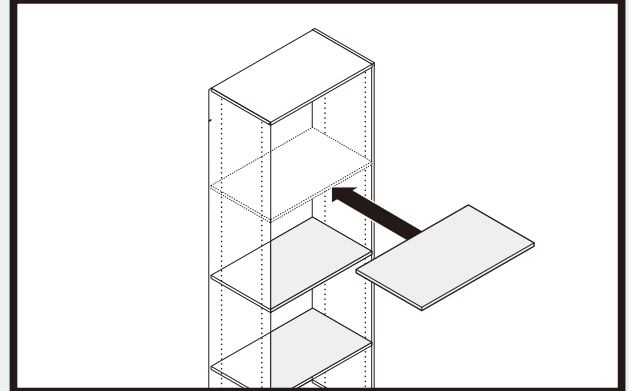


# Upgrade your closets with more options

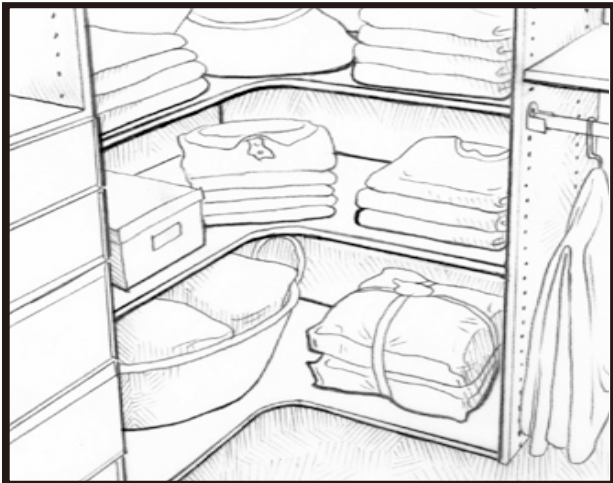
You can shop the following items from our shop to better fit your needs



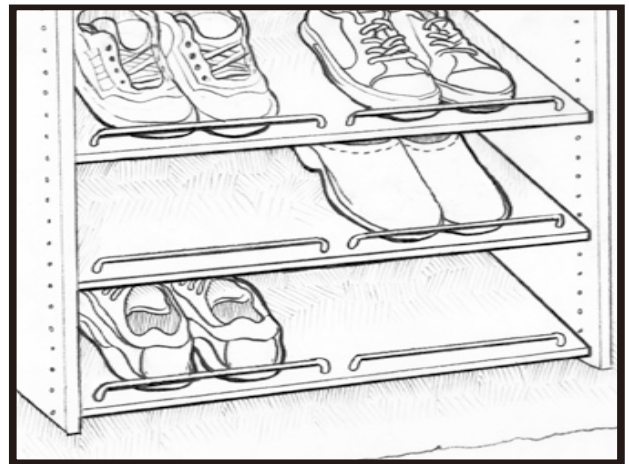
Sets of drawers



Sets of partition



corner shelves



shoe shelves

**More to come !**