

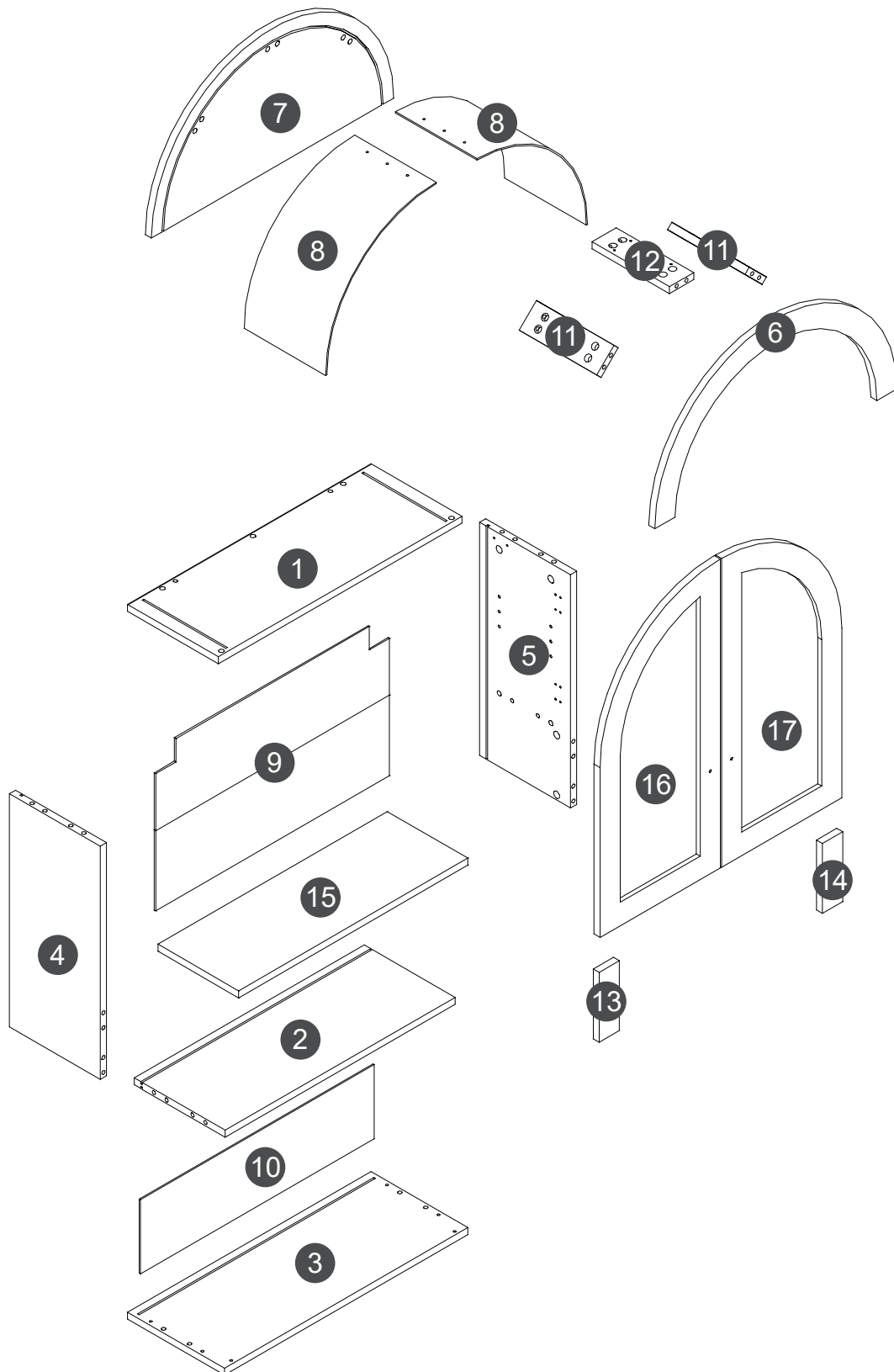
USER MANUAL



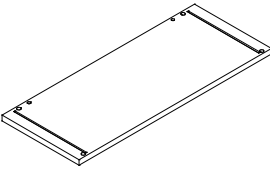
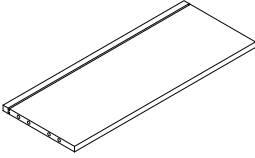
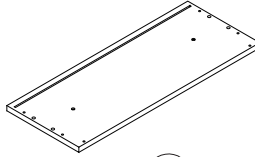
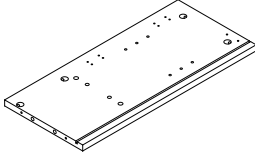
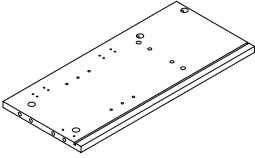
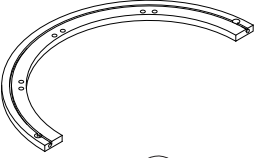
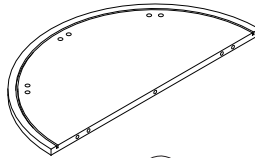
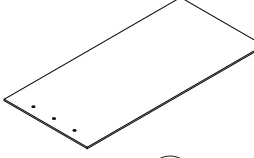
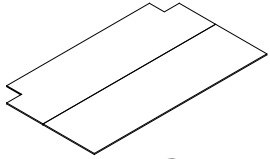
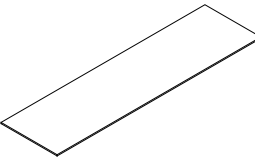
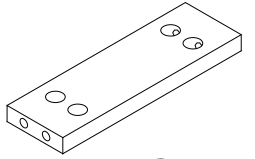
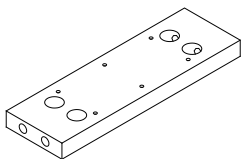
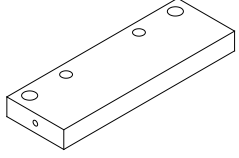
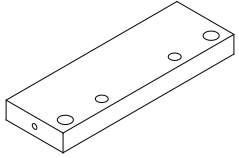
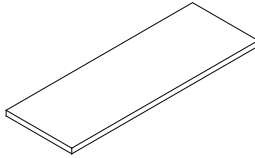
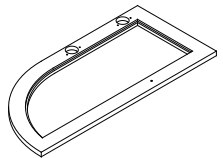
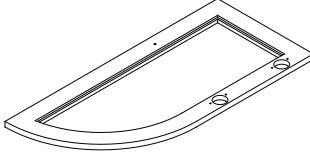
THANK YOU FOR PURCHASING OUR PRODUCT


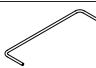





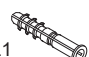




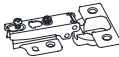


Installation Instructions

Note: Avoid fully tightening screws during initial assembly in case of assembly errors.
Tighten screws only after all parts have been properly assembled.



List of Installation Accessories

 ① x1PC	 ② x1PC	 ③ x1PC	 ④ x1PC
 ⑤ x1PC	 ⑥ x1PC	 ⑦ x1PCS	 ⑧ x2PC
 ⑨ x1PC	 ⑩ x1PC	 ⑪ x2PC	 ⑫ x1PC
 ⑬ x1PC	 ⑭ x1PC	 ⑮ x1PC	 ⑯ x1PC
 ⑰ x1PC			

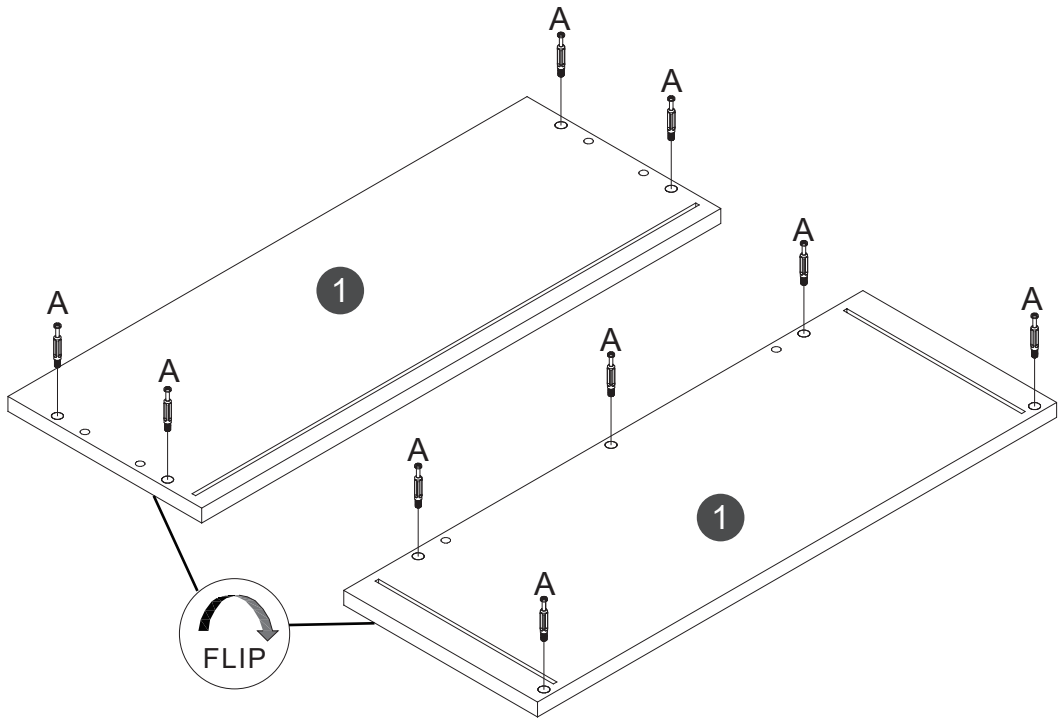
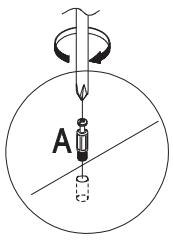
NO.	PICTURE	SIZE	QTY	NO.	PICTURE	SIZE	QTY
A			29	I			1
B		15*11.5	29	J			4
C		8*30	18	K		5*40	6
D	 ⊕	3.5*14	32	L	 L1  L2		6
E		4*30	4	M	 M1  M2		2
F			4				
G		M4*18	4				
H			2				




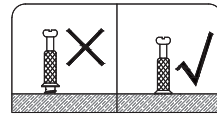
It takes at least two people to assemble the product.

Installation Instructions

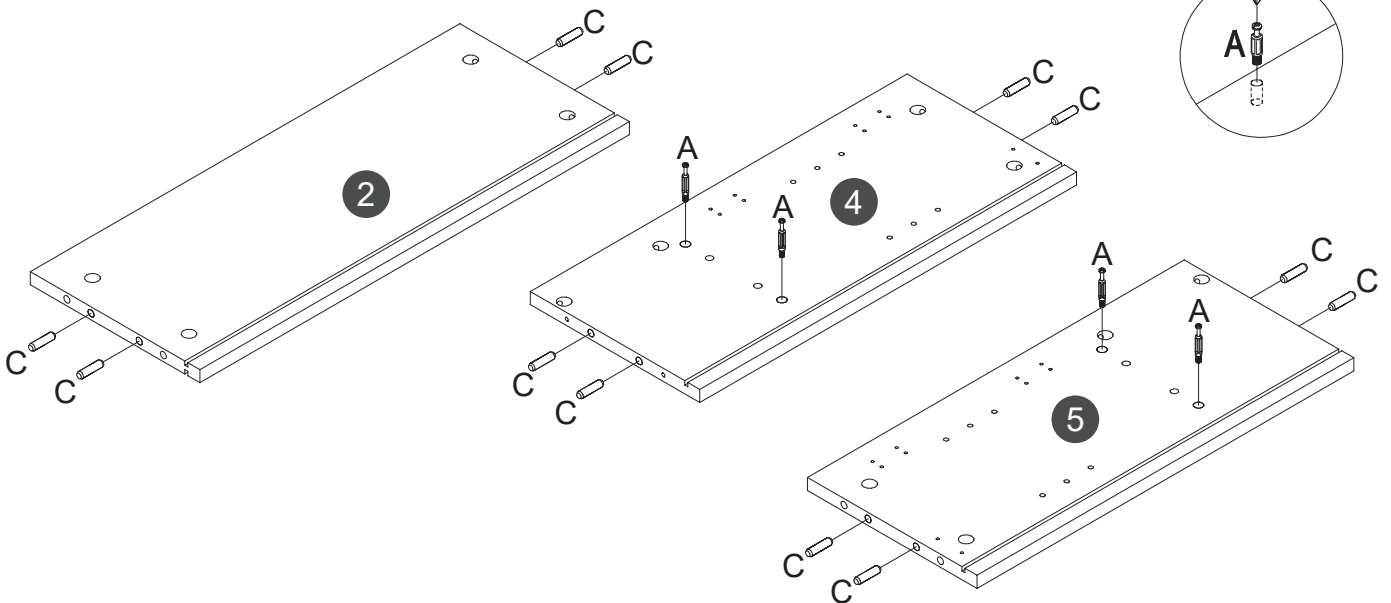
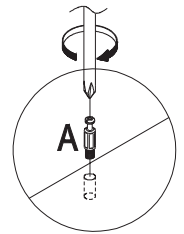
STEP 1





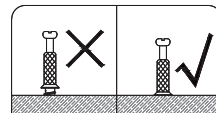
A = 9X 



STEP 2

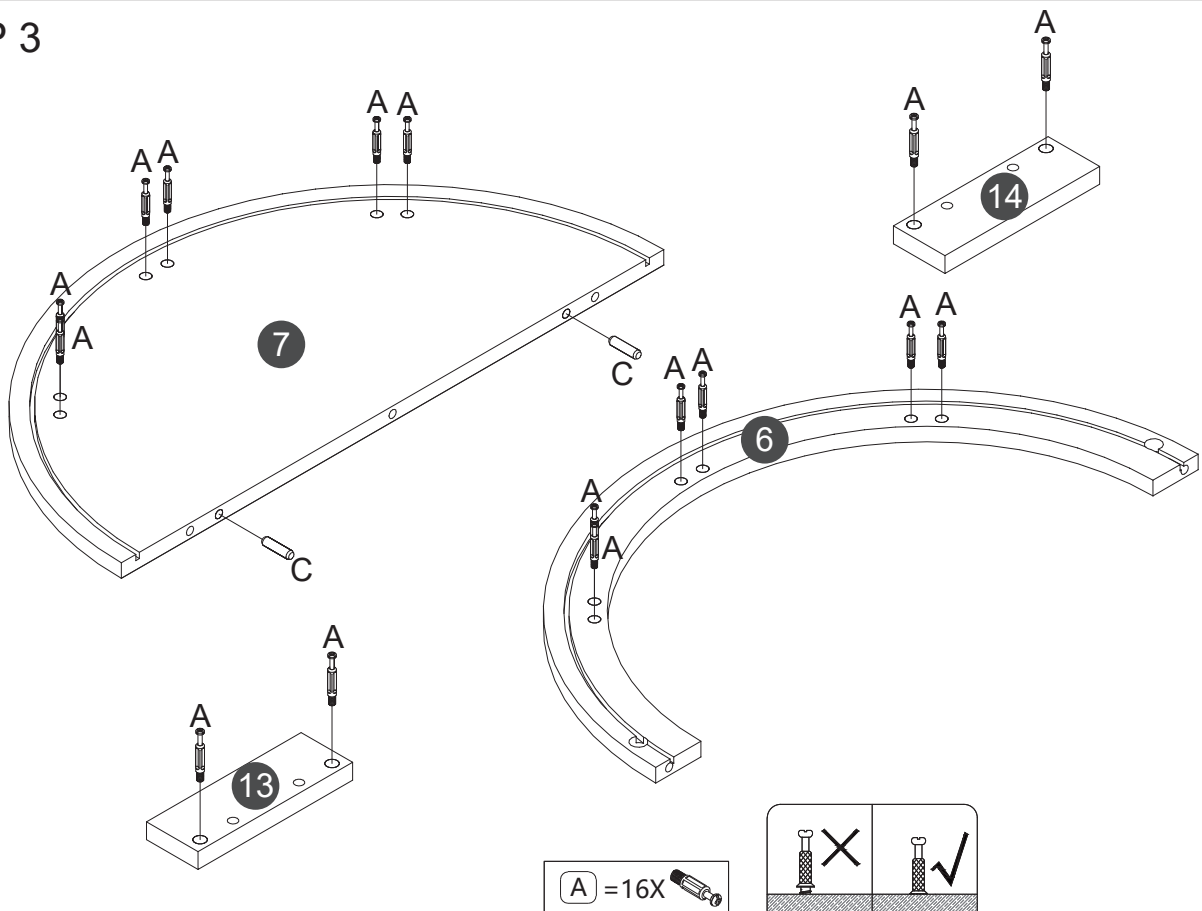


A = 4X  C = 12X 

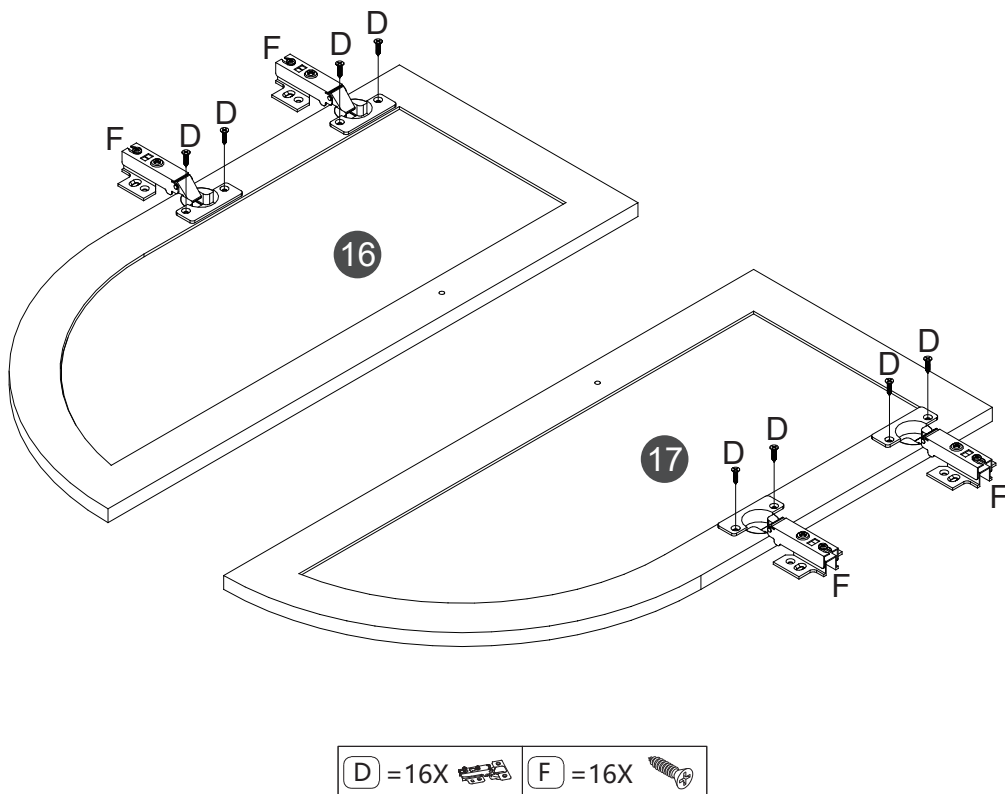


Installation Instructions

STEP 3

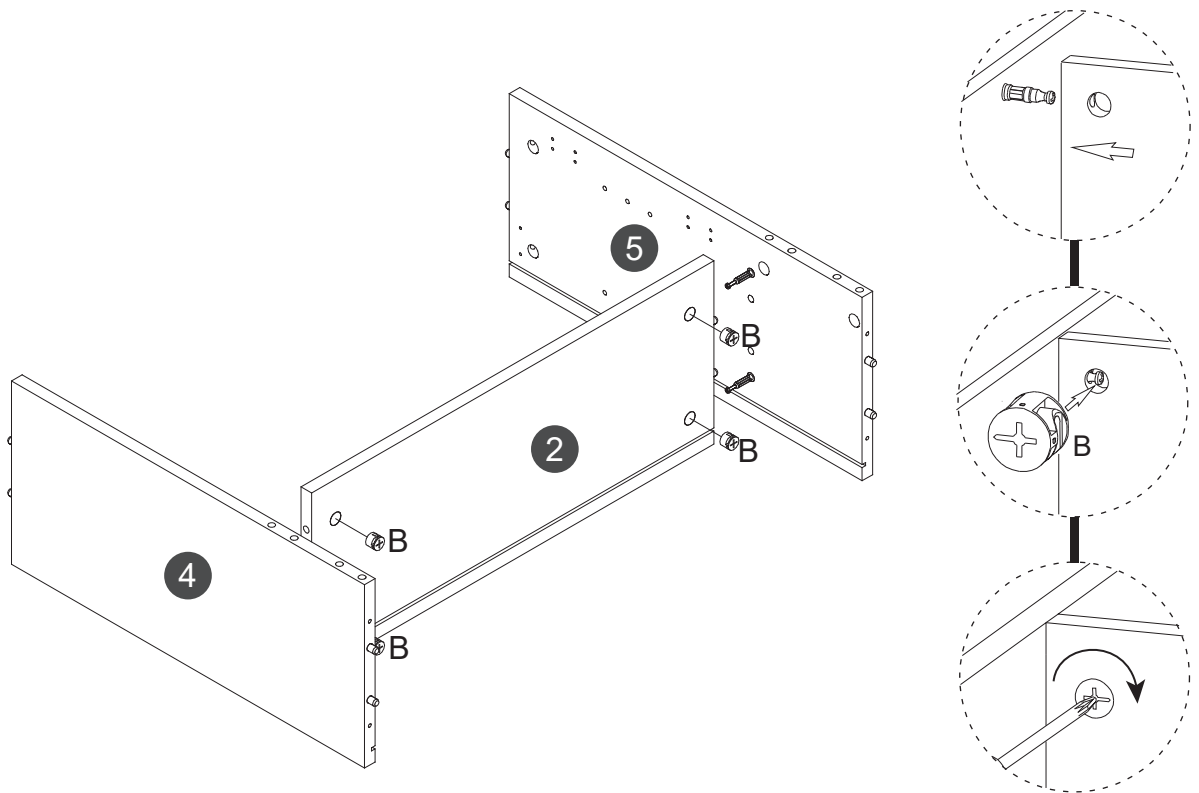



STEP 4



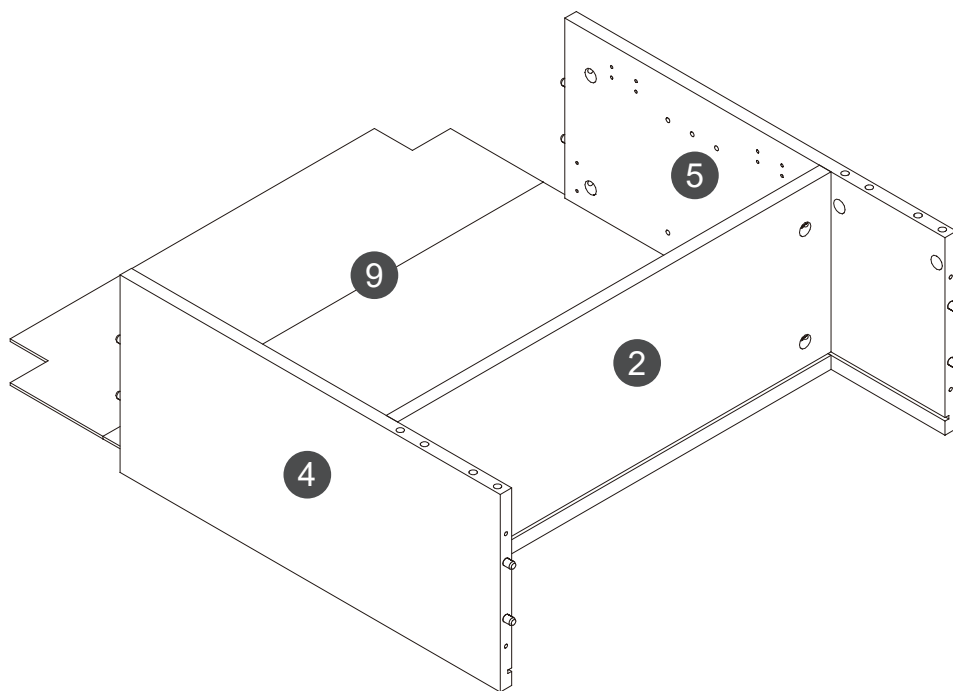
Installation Instructions

STEP 5



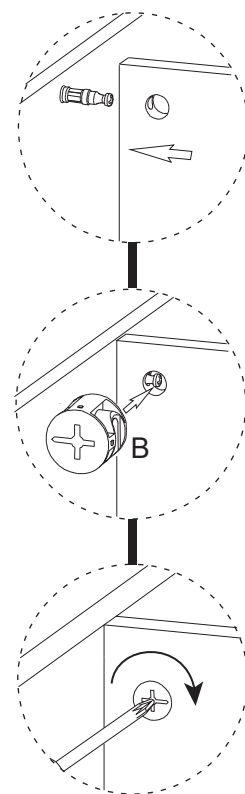
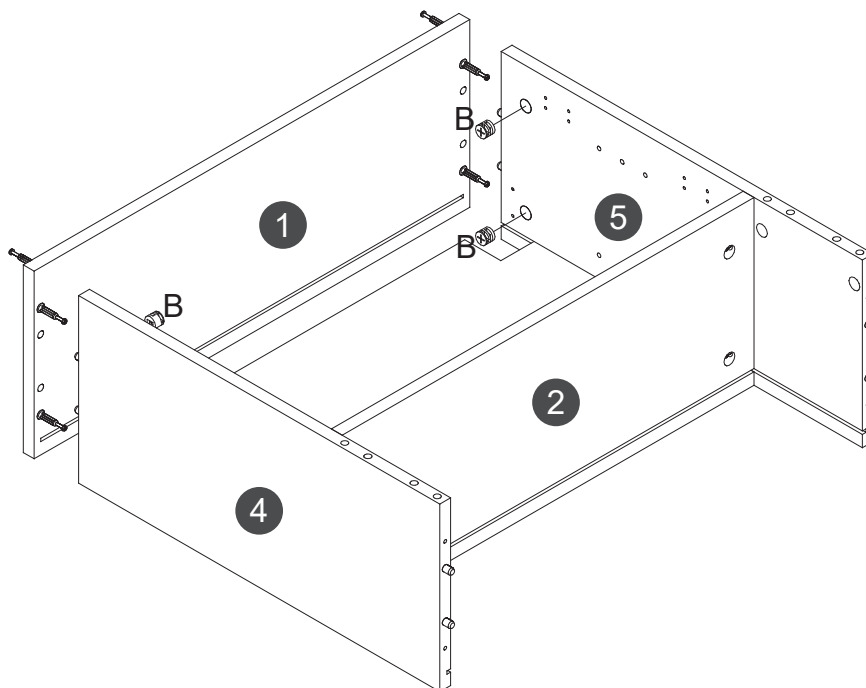
B = 4X 


STEP 6



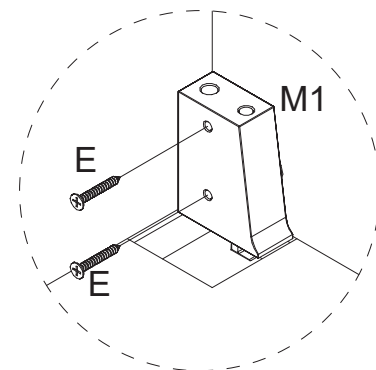
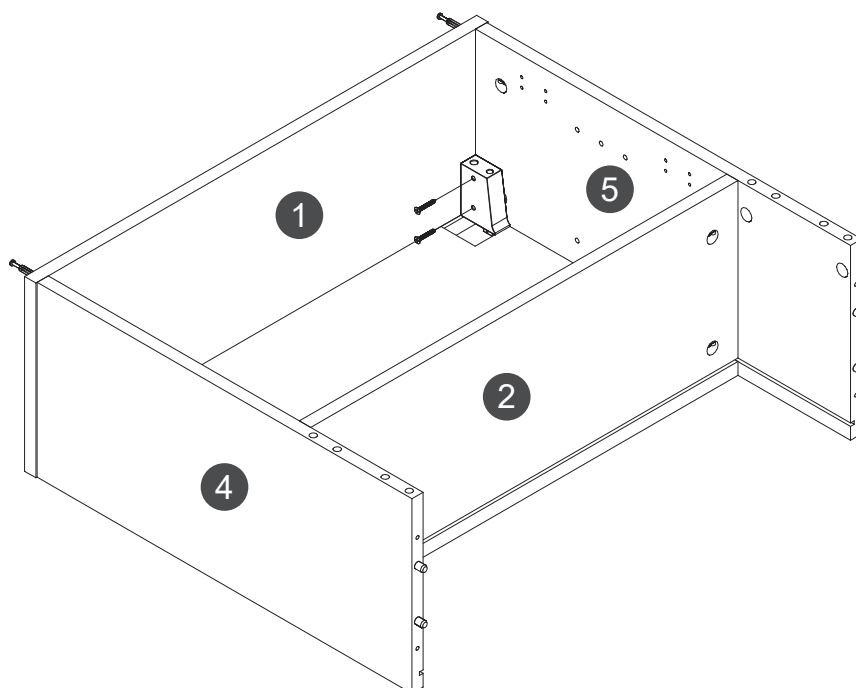
Installation Instructions



STEP 7



B = 4X 

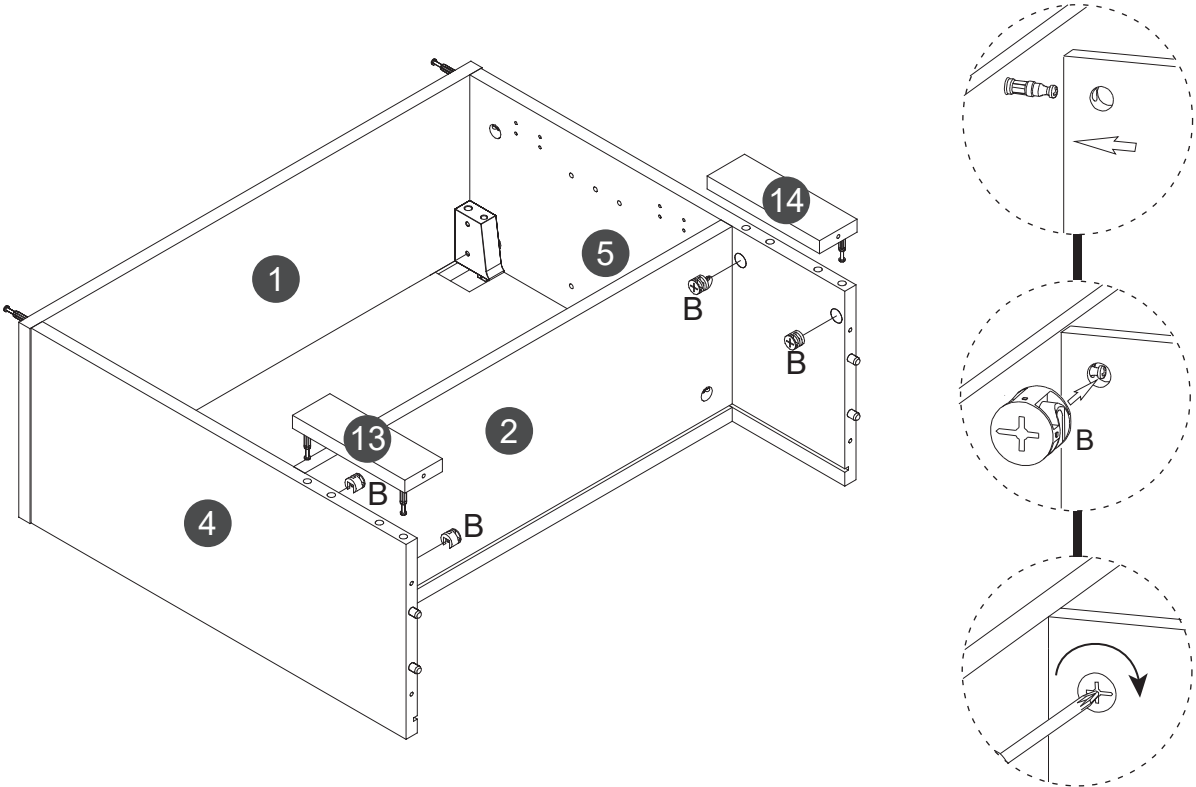
STEP 8




M1 = 2X  E = 4X 

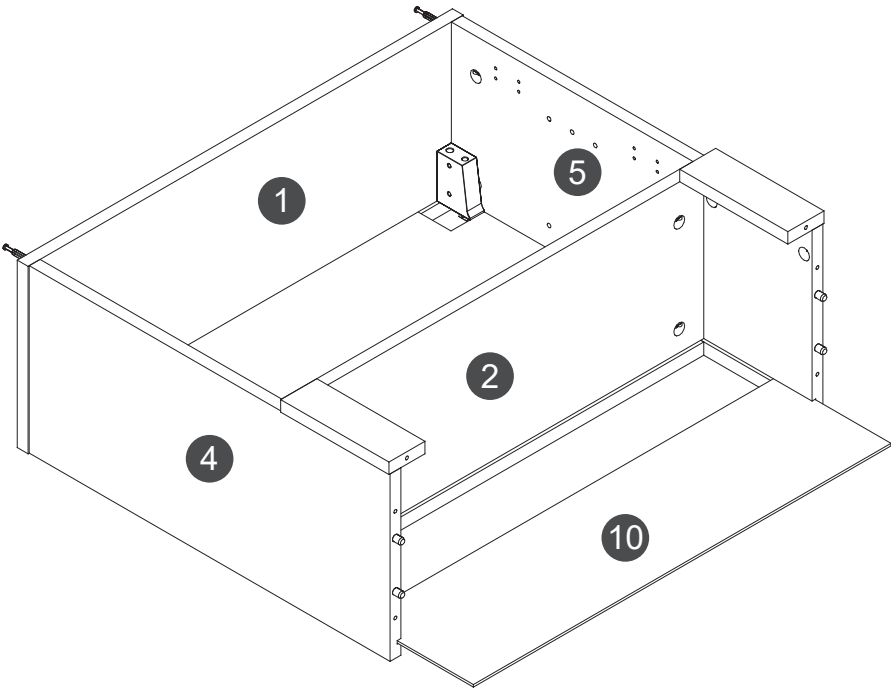
Installation Instructions

STEP 9



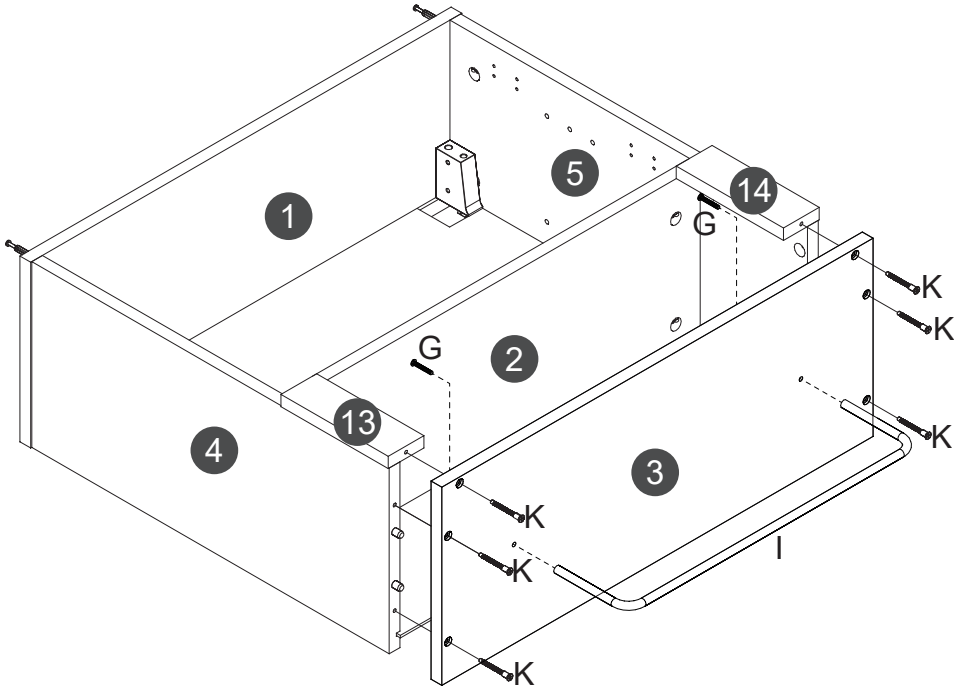
B = 4X 

STEP 10



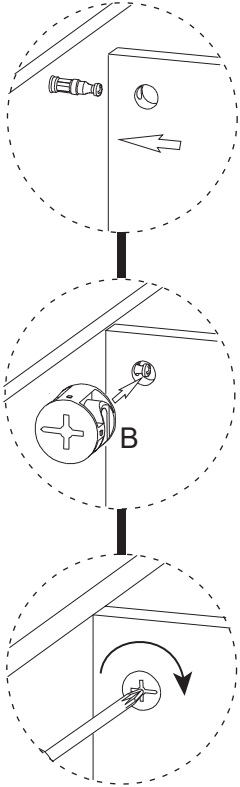
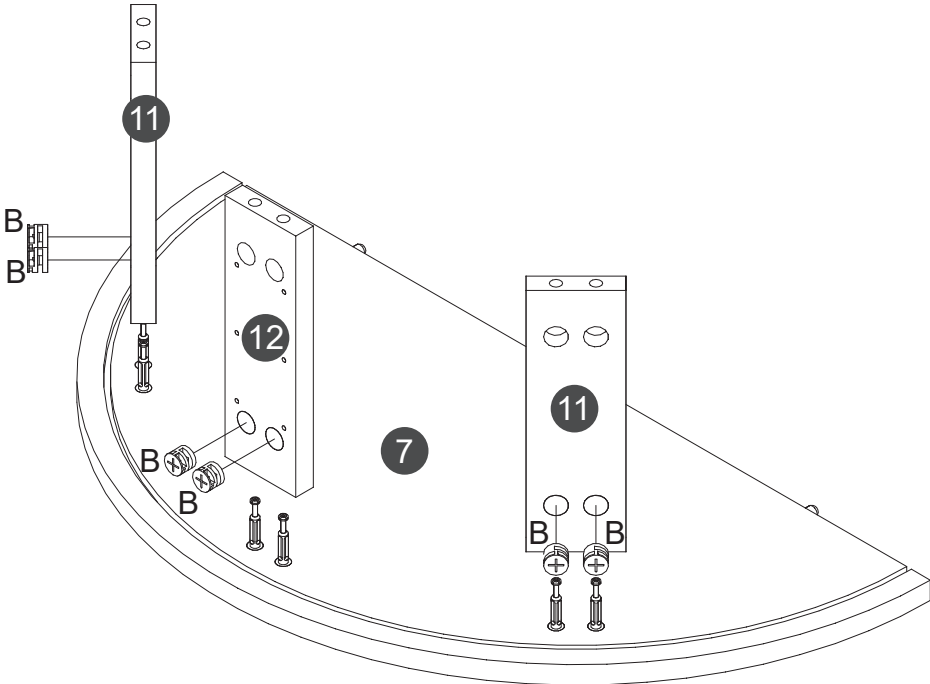
Installation Instructions


STEP 11



K = 6X  **G** = 2X  **I** = 1X 

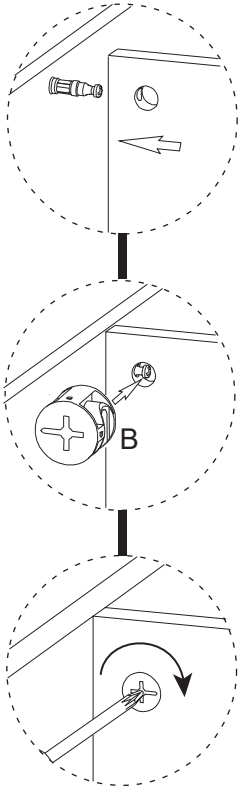
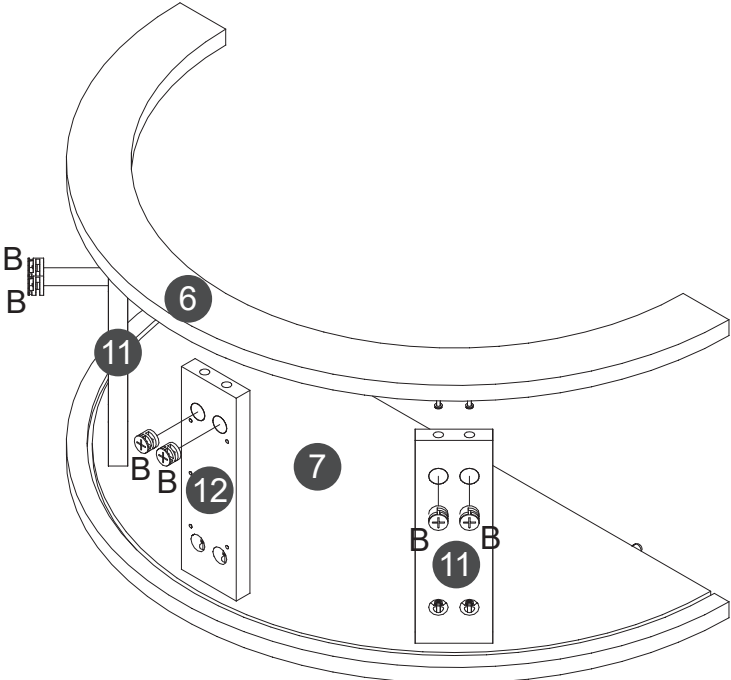
STEP 12



B = 6X 

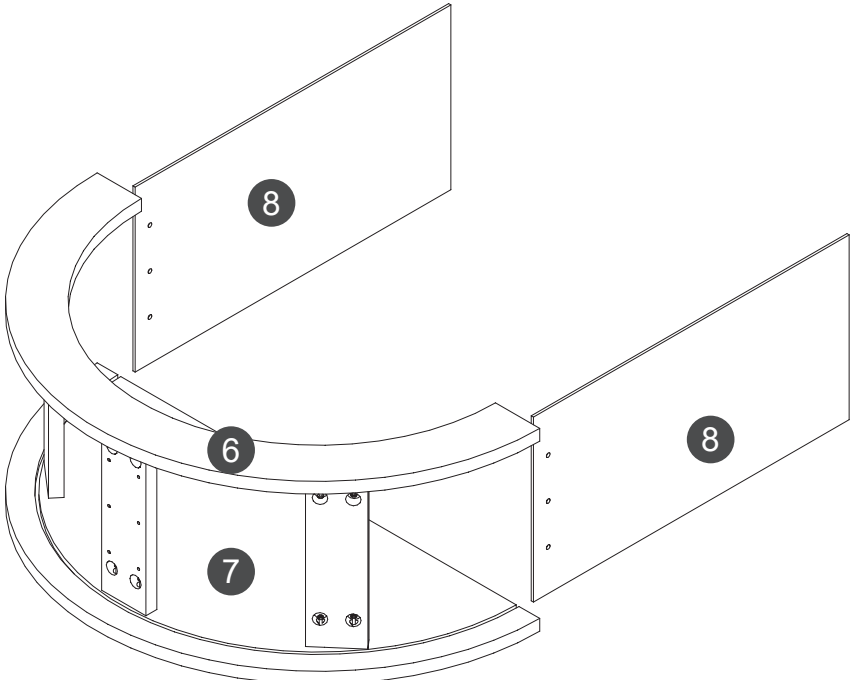
Installation Instructions

STEP 13



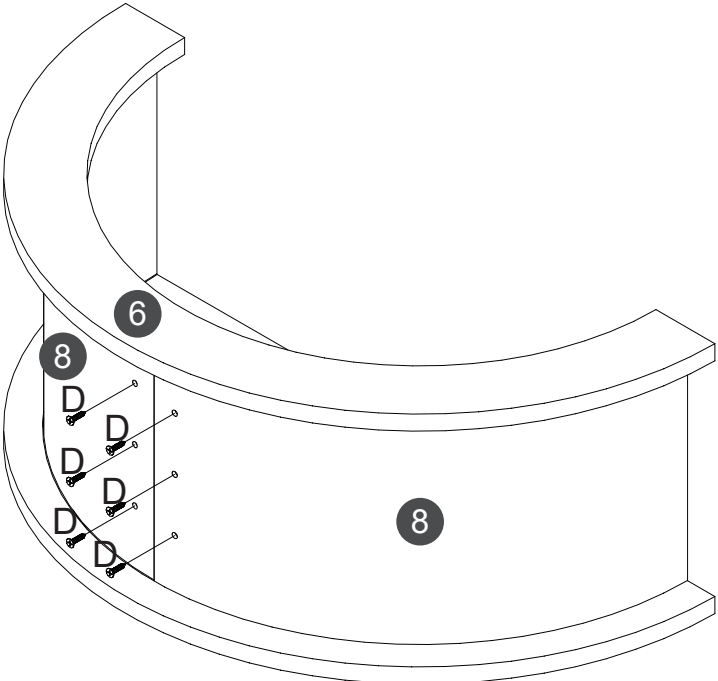
B = 6X 


STEP 14



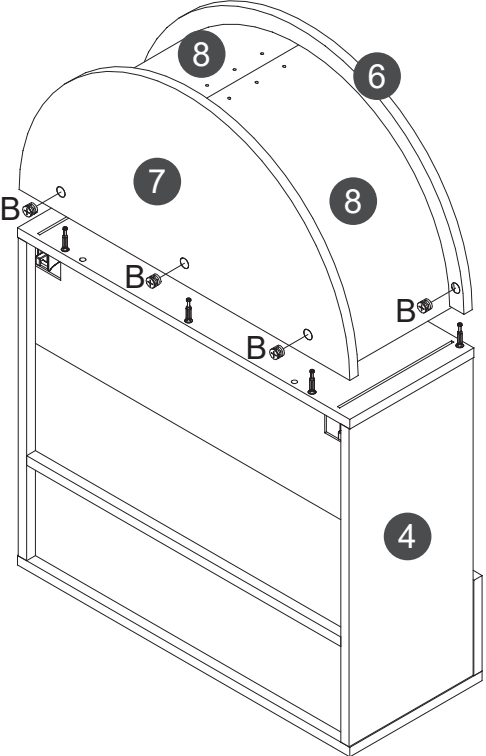
Installation Instructions


STEP 15



D = 6X 

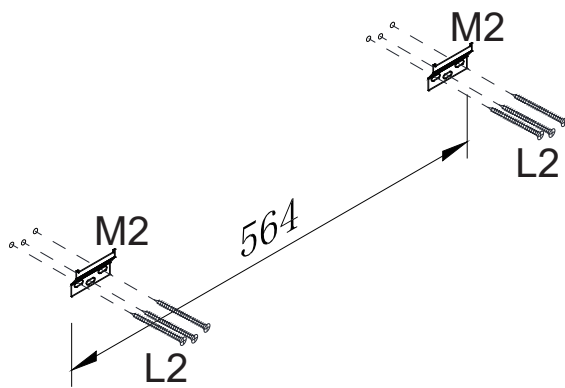
STEP 16



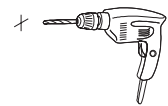
B = 6X 

Installation Instructions

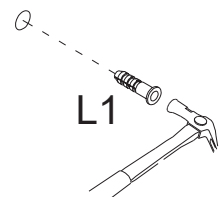
STEP 17



1



2



L = 6X

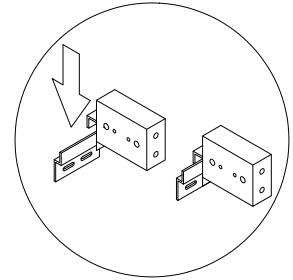
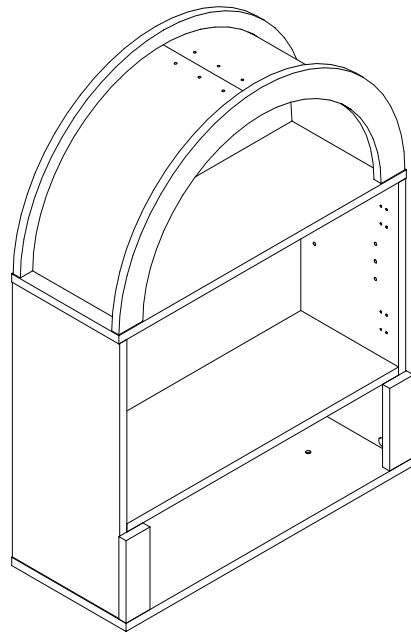


M2 = 2X

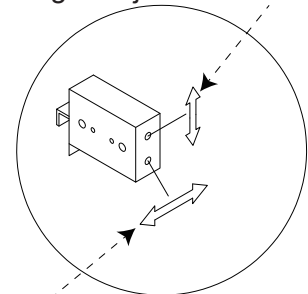


Installation Instructions

STEP 18



Height Adjustment Screw Hole.



Depth Adjustment Screw Hole.

Adjustment & Leveling

The hanger includes built-in adjustment screws. Use a screwdriver to fine-tune the cabinet position:

1. Up/Down Adjustment (Height & Leveling)

Insert a Phillips screwdriver into the height adjustment hole and turn the screw:

Clockwise → Hook rises → Cabinet lifts

Counterclockwise → Hook lowers → Cabinet drops

This allows you to level both sides of the cabinet evenly.

2. Front/Back Adjustment (Wall Alignment)

Insert the screwdriver into the depth adjustment hole and turn to adjust the distance from the wall:

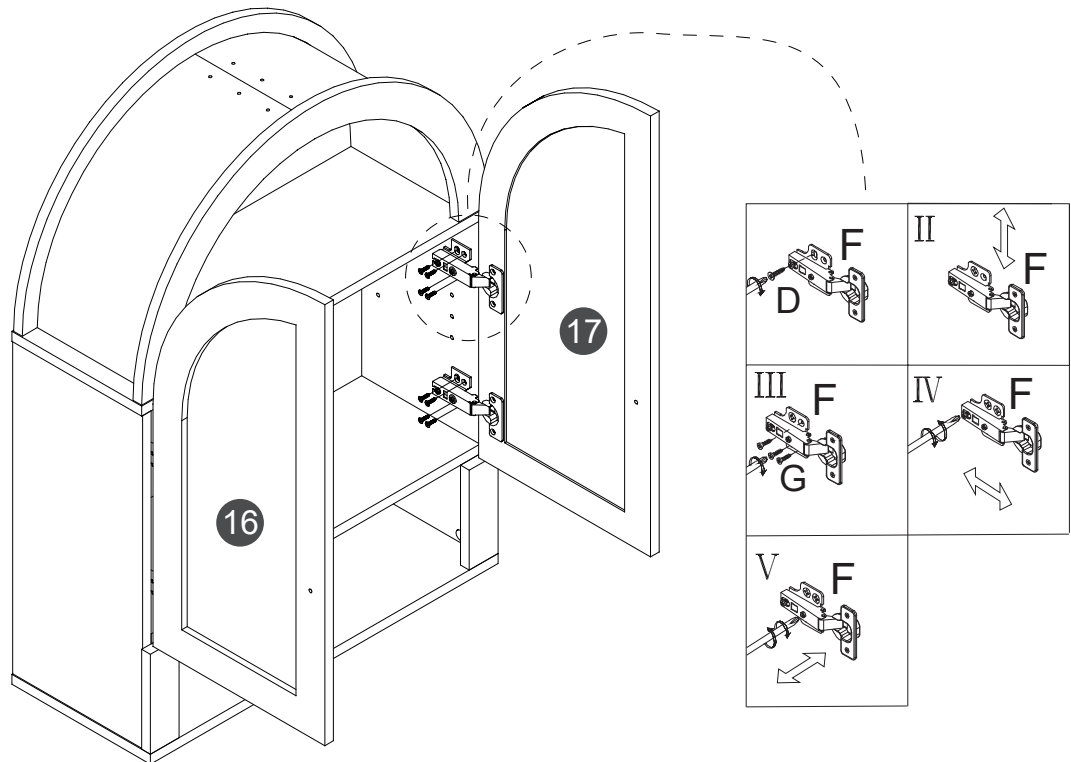
Clockwise → Hook retracts → Cabinet moves closer to wall


Counterclockwise → Hook extends → Cabinet moves away from wall

Adjust until the cabinet is level and fits tightly against the wall.

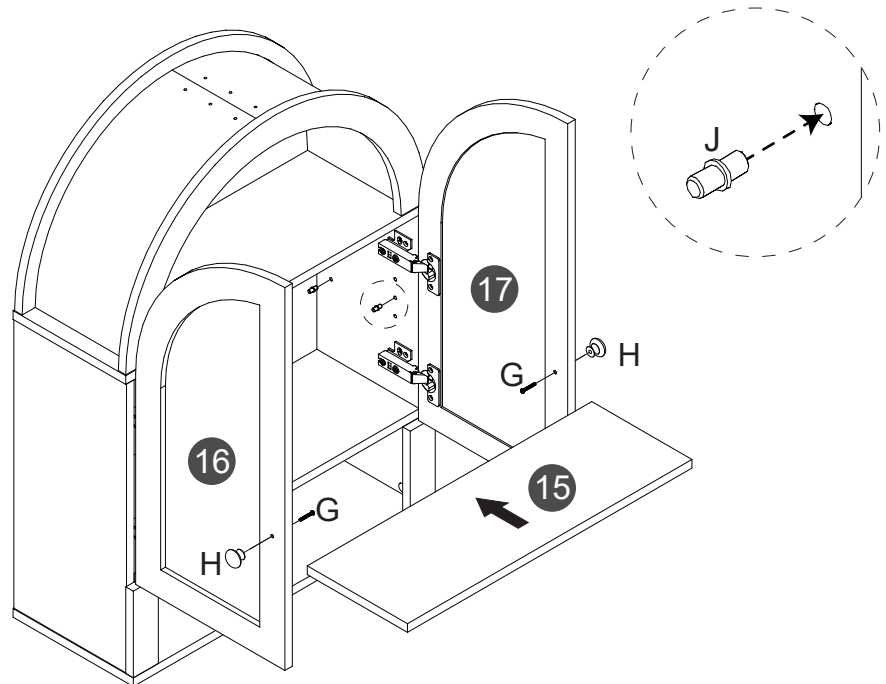
Installation Instructions




STEP 19



D = 16X 

STEP 20



G = 2X  H = 2X  J = 4X 

Installation Instructions

STEP 21



- Please avoid harsh, corrosive, and abrasive cleaners.
- Keep dry and avoid damp environments.

THANK YOU FOR PURCHASING OUR PRODUCT