

# INSTALLATION MANUAL



U-Symbol Console Table With Drawer

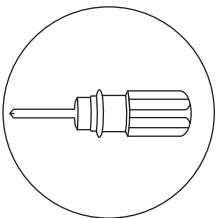
# SERIOUS OR FATAL INJURY MAY OCCUR FROM UNEXPECTED ASSEMBLY OR USE.

## WARNING

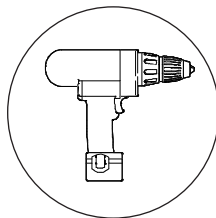
- During the assembly process, keep all parts away from babies or children.
- Use of tip-over restraints may only reduce, but not eliminate the risk of tip-over.
- Unless specially designed to accommodate, do not set heavy objects on top of this product.
- Place the heaviest items on the lowest shelf.
- Never allow children to climb or hang on drawers, doors or shelves.



## RECOMMENDED TOOLS



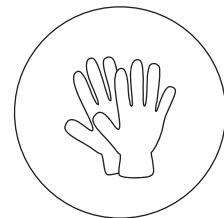
screwdriver/L-Wrench  
(supplied)



Power tools  
(not supplied)

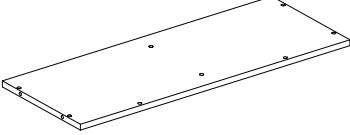
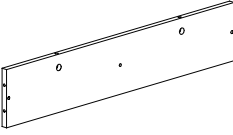
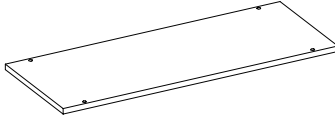
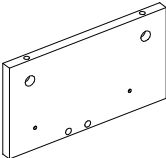
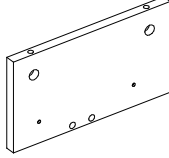
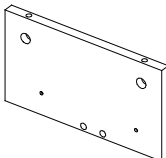
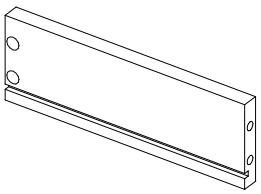
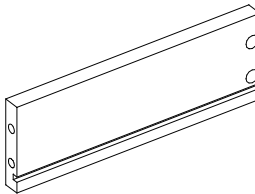
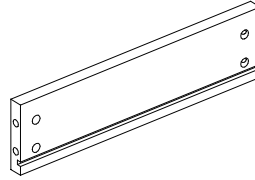
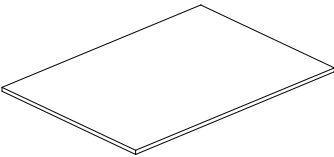
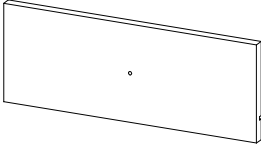
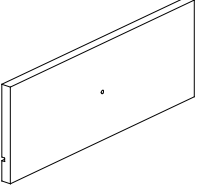
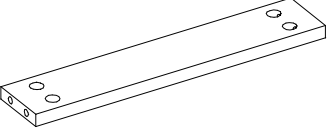
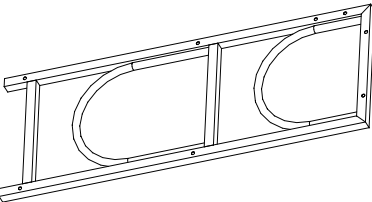
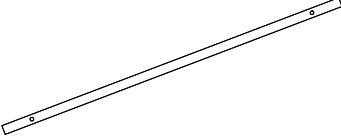


Dirt-proof clothing  
(not supplied)



Mounting gloves  
(not supplied)

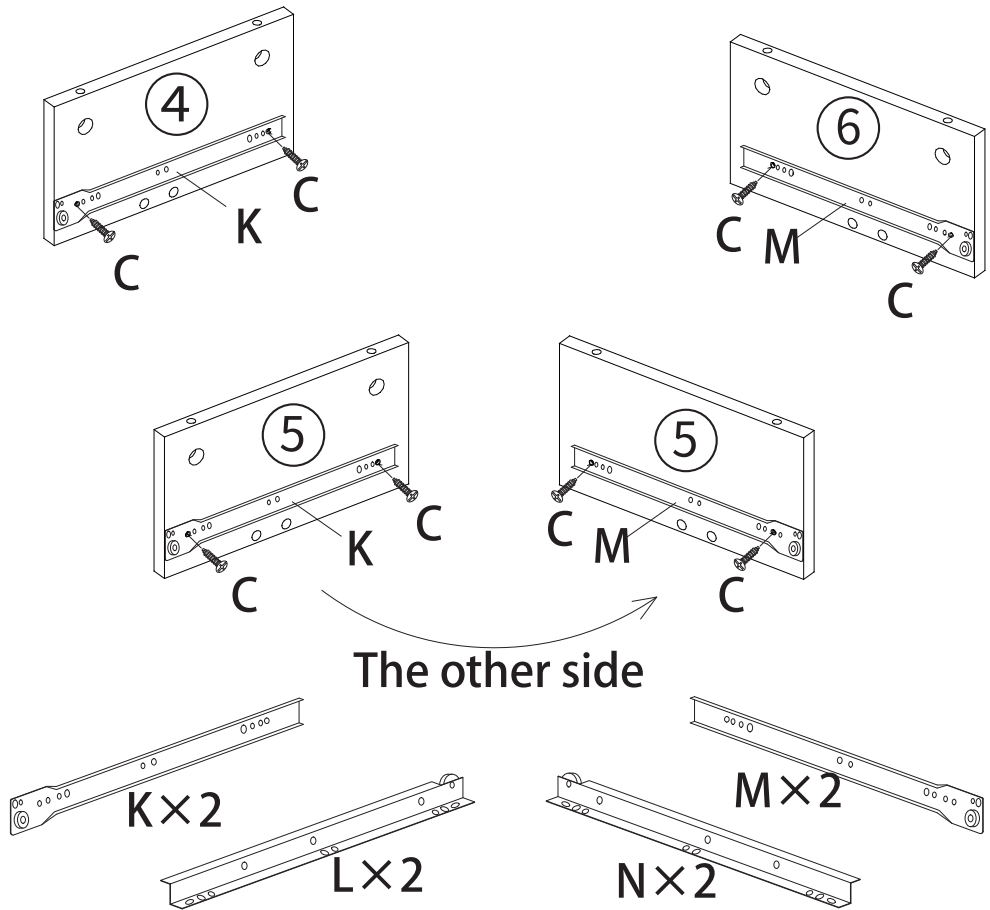
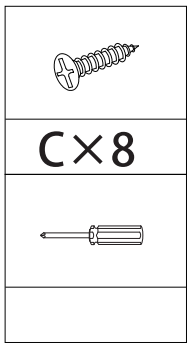
# PRODUCT BOARD DECOMPOSITION

		
① X 1	② X 1	③ X 2
		
④ X 1	⑤ X 1	⑥ X 1
		
⑦ X 2	⑧ X 2	⑨ X 2
		
⑩ X 2	⑪ X 1	⑫ X 1
		
⑬ X 2	⑭ X 2	⑮ X 4

# FIXING DEVICES AND ACCESSORIES

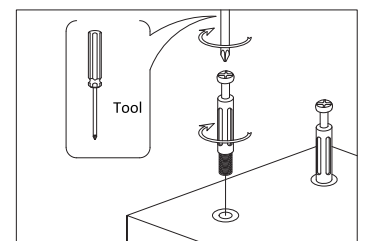
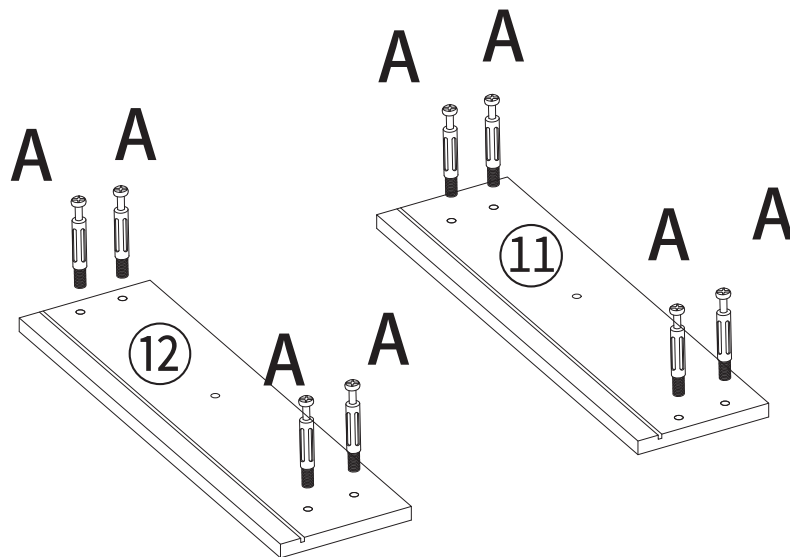
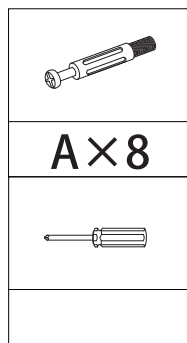
NUMBERING	SIZE	QUANTITY	ICON
A	M7×40mm	24	
B	M5×50mm	8	
C	M3.5×12mm	16	
D	M7×50mm	11	
E	M6×35mm	8	
F	M6×30mm	8	
G	M4×20mm	2	
H	Φ30×20mm	2	
I	/	4	
J	M3.5*12mm/ M4*25mm	1	
K/L/M/N	/	2	
	/	1	

# STEP 1

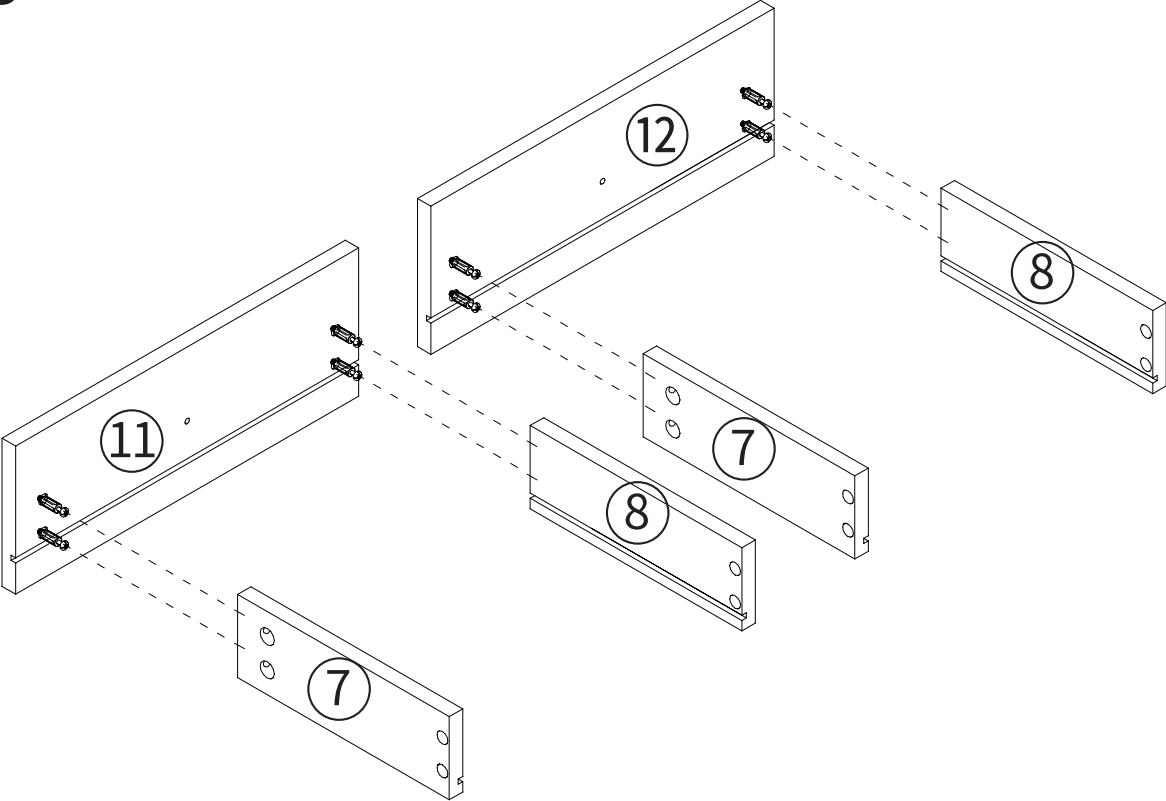


" K/L/M/N " Hardware disassembly example

# STEP 2

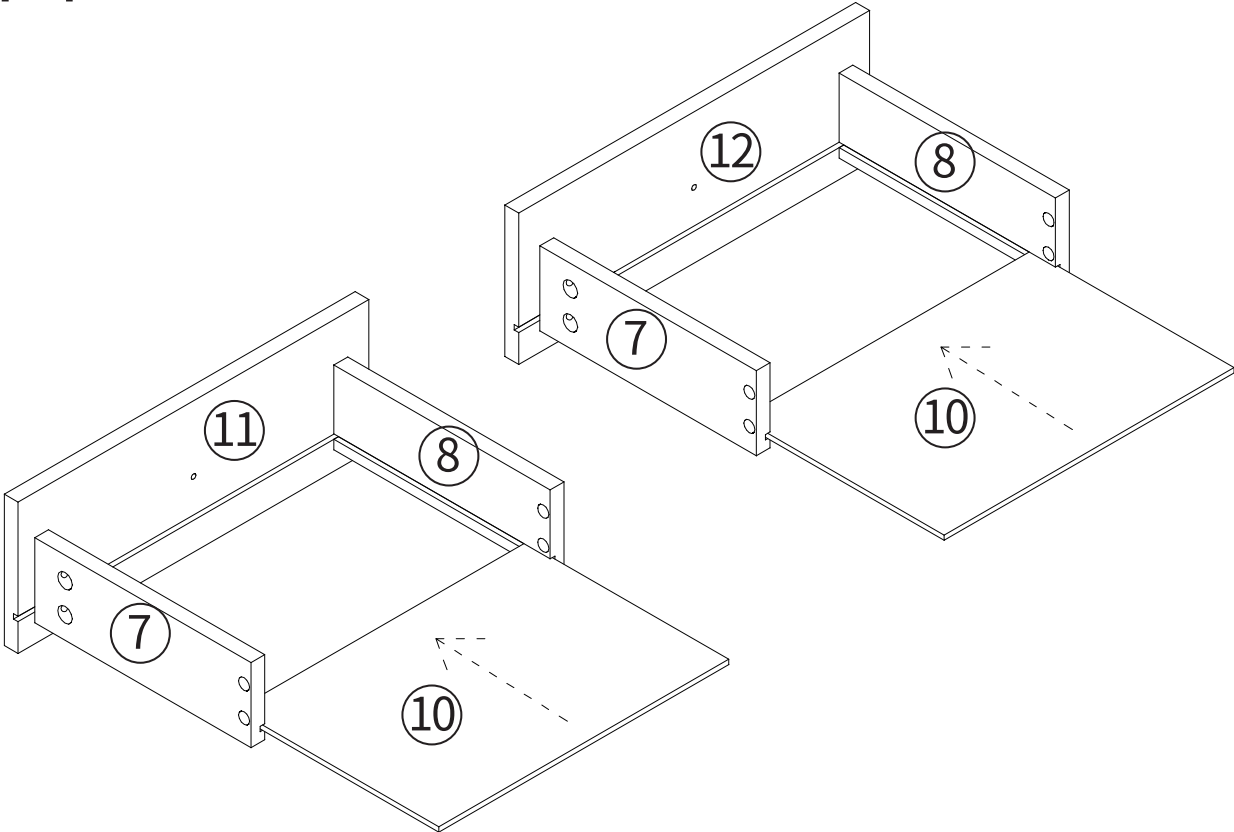


# STEP 3

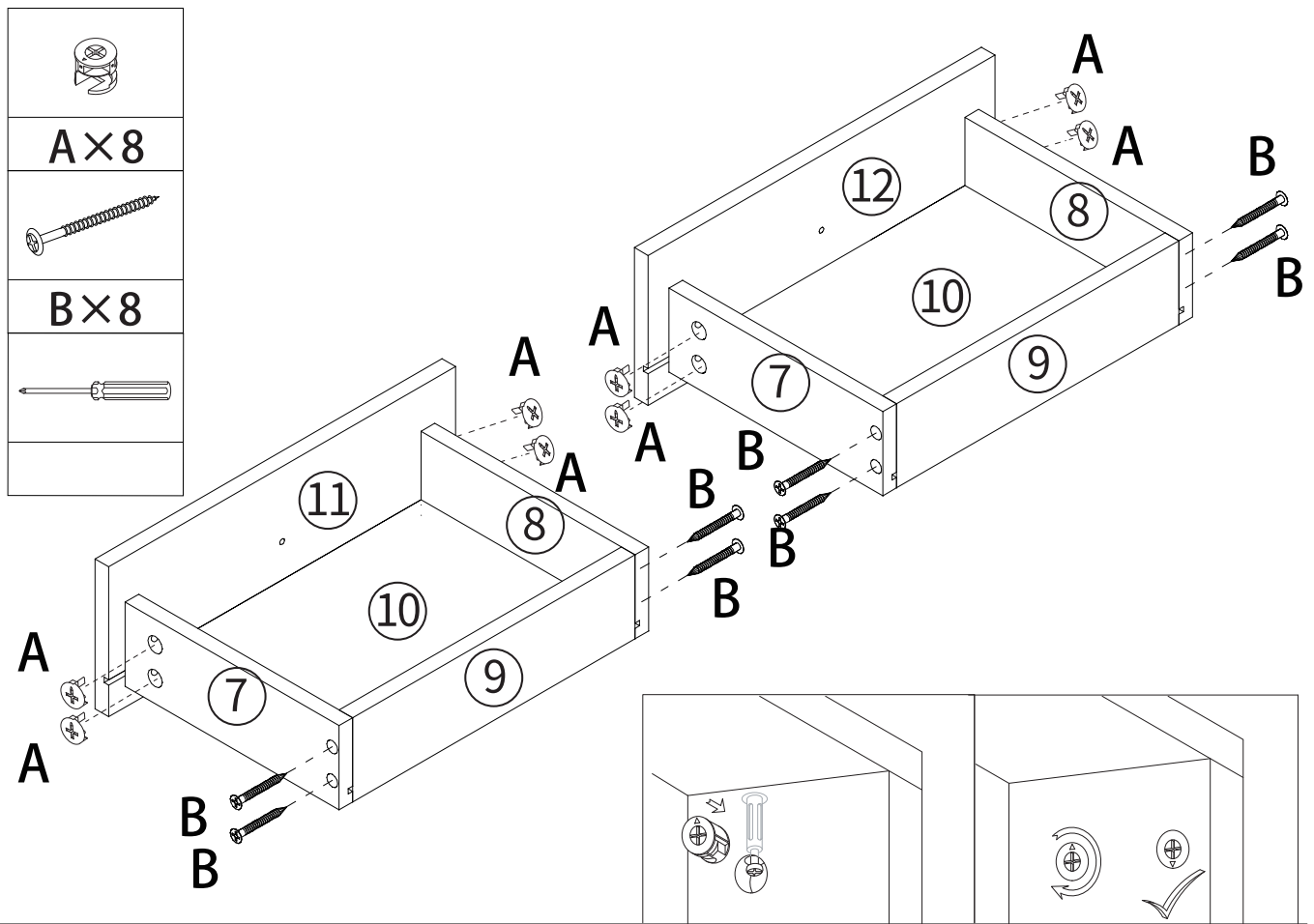


---

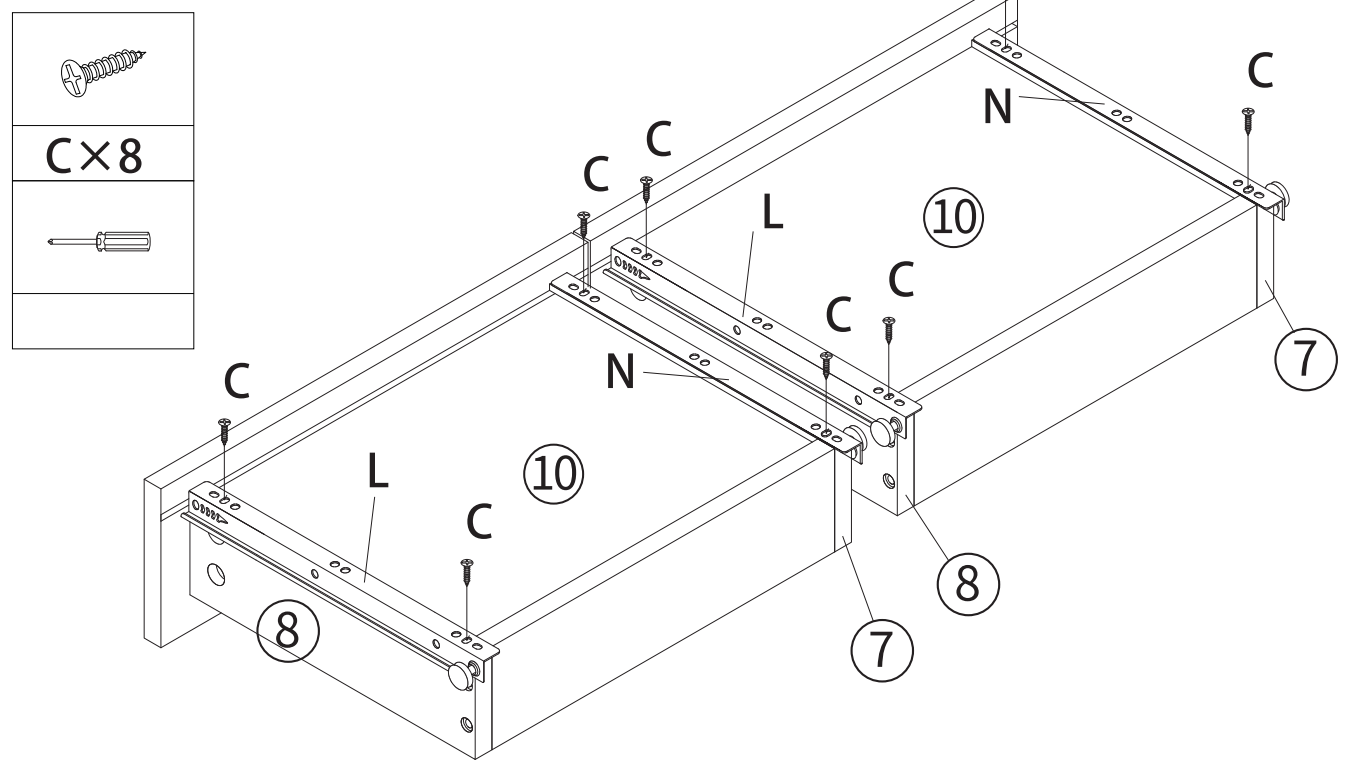
# STEP 4



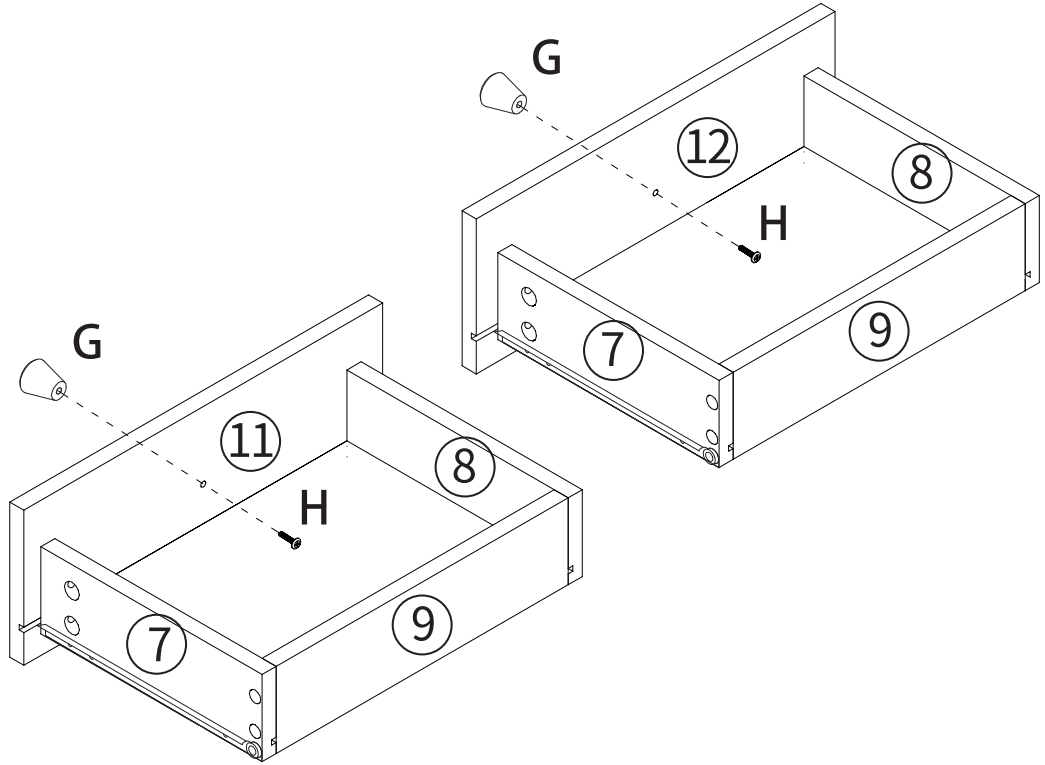
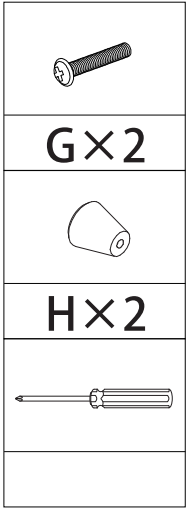
# STEP 5



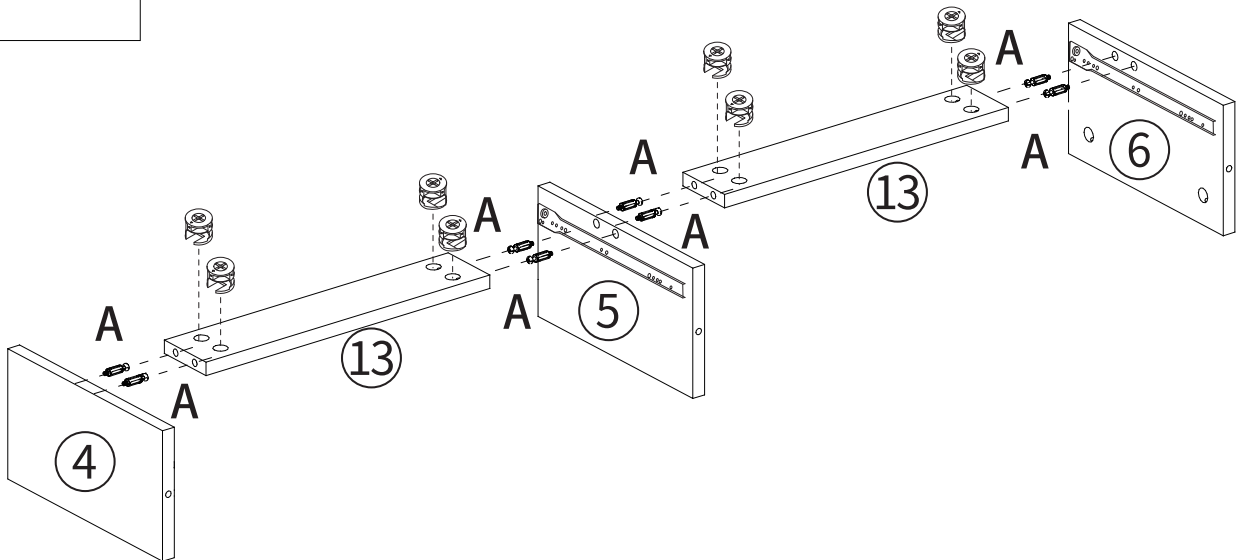
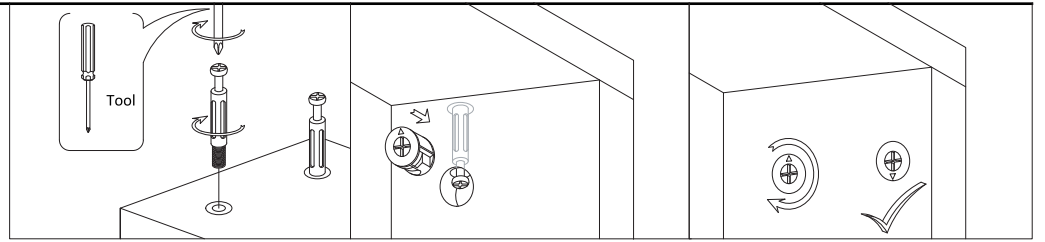
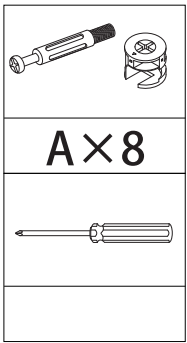
# STEP 6



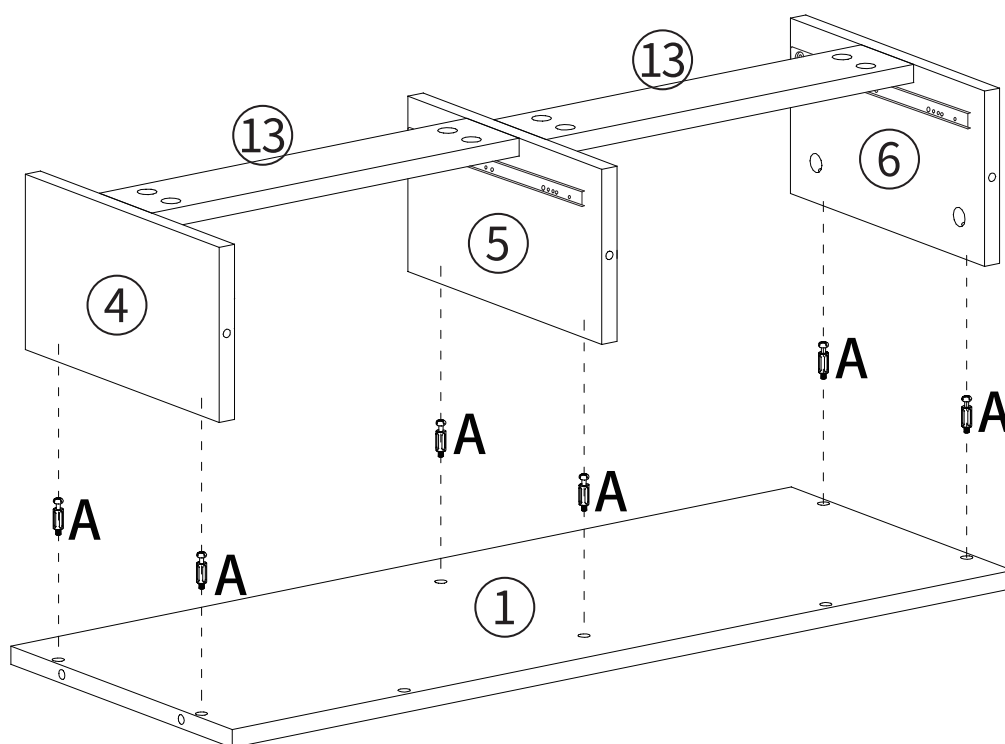
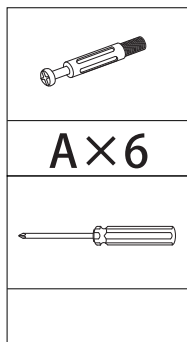
# STEP 7



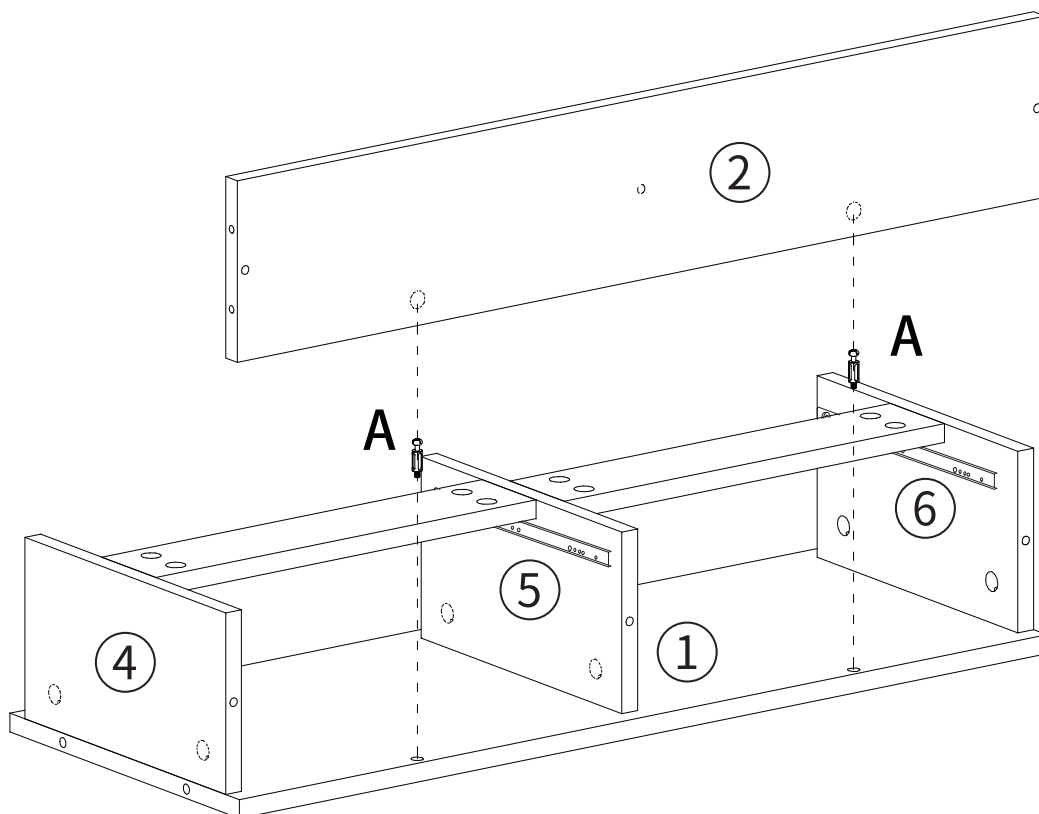
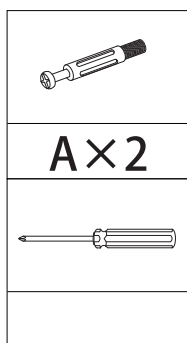
# STEP 8




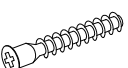
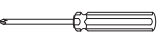
## STEP 9

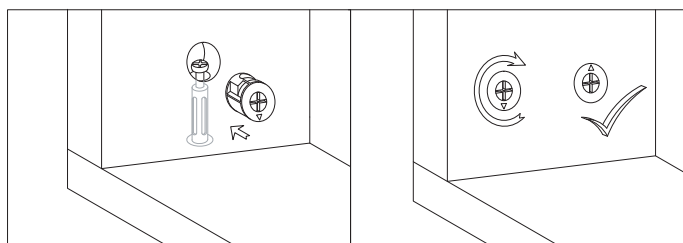
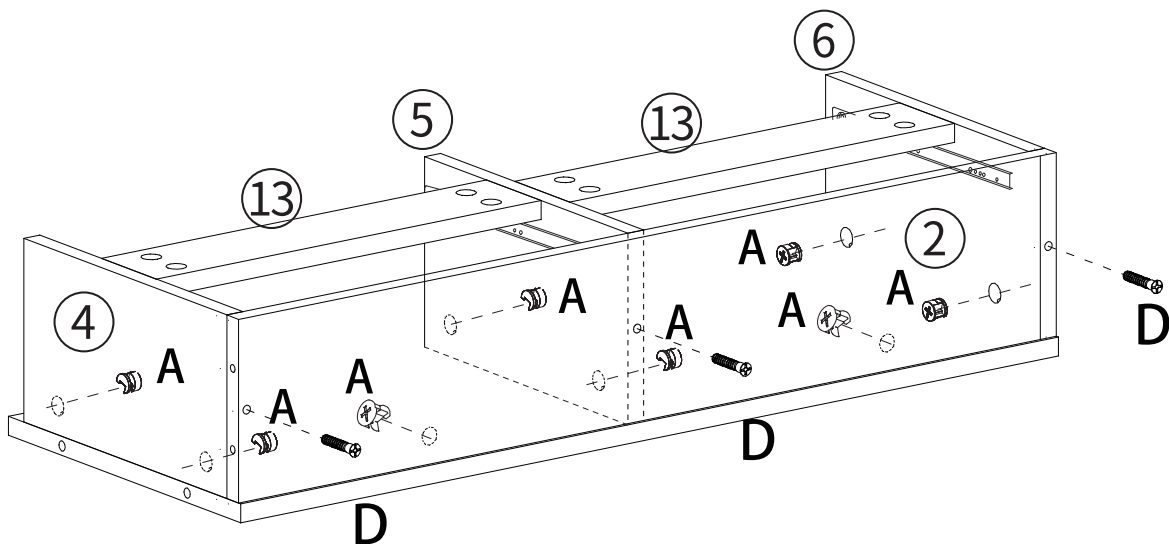


## STEP 10

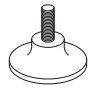


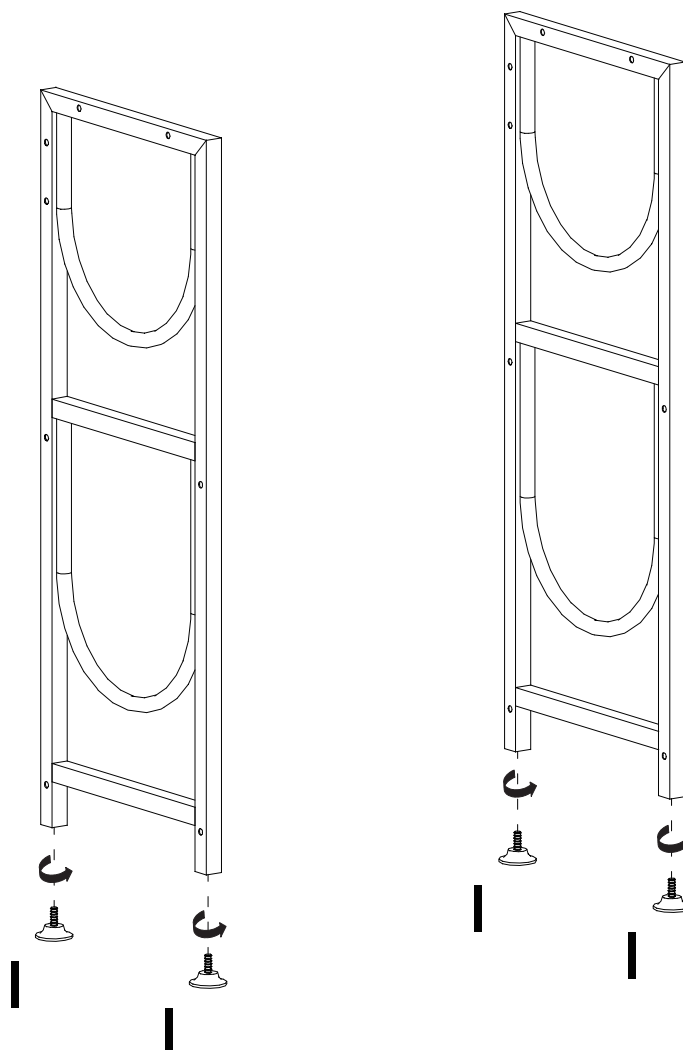
# STEP 11


A × 8

D × 3


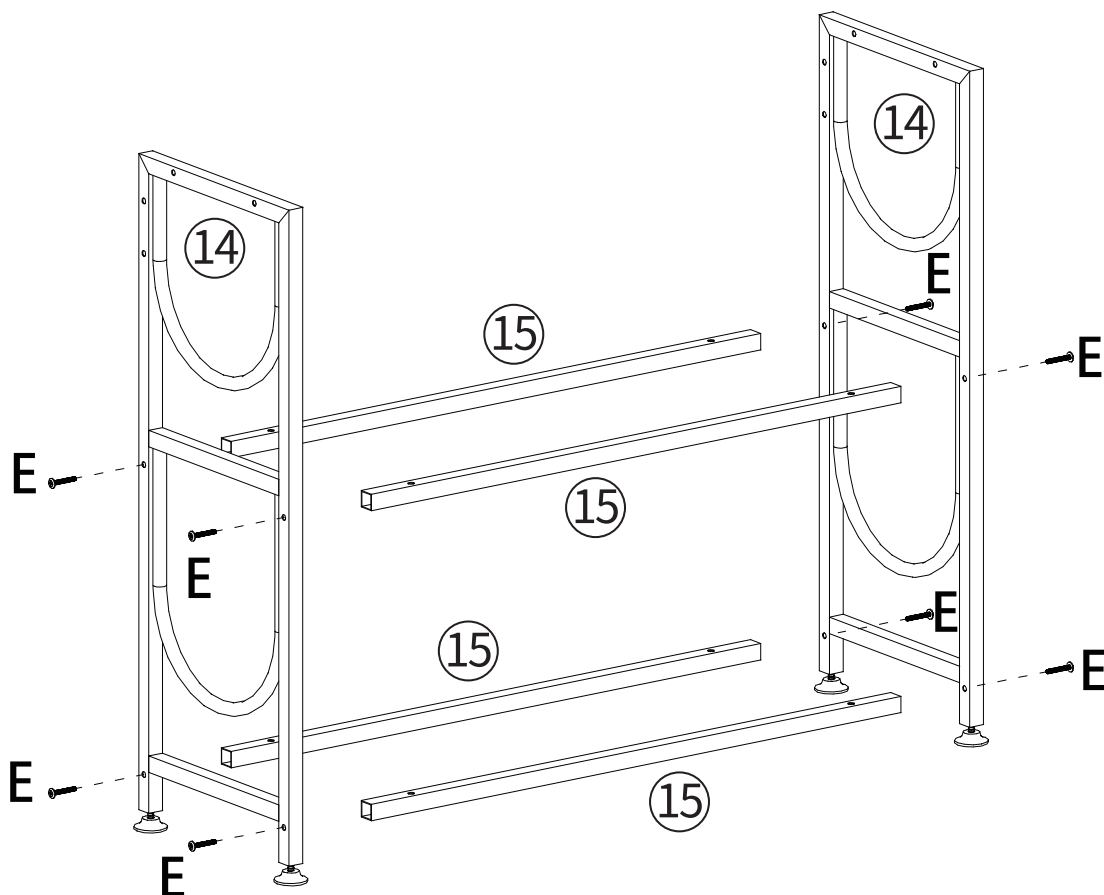
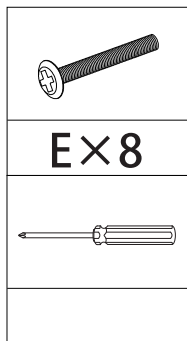


# STEP 12

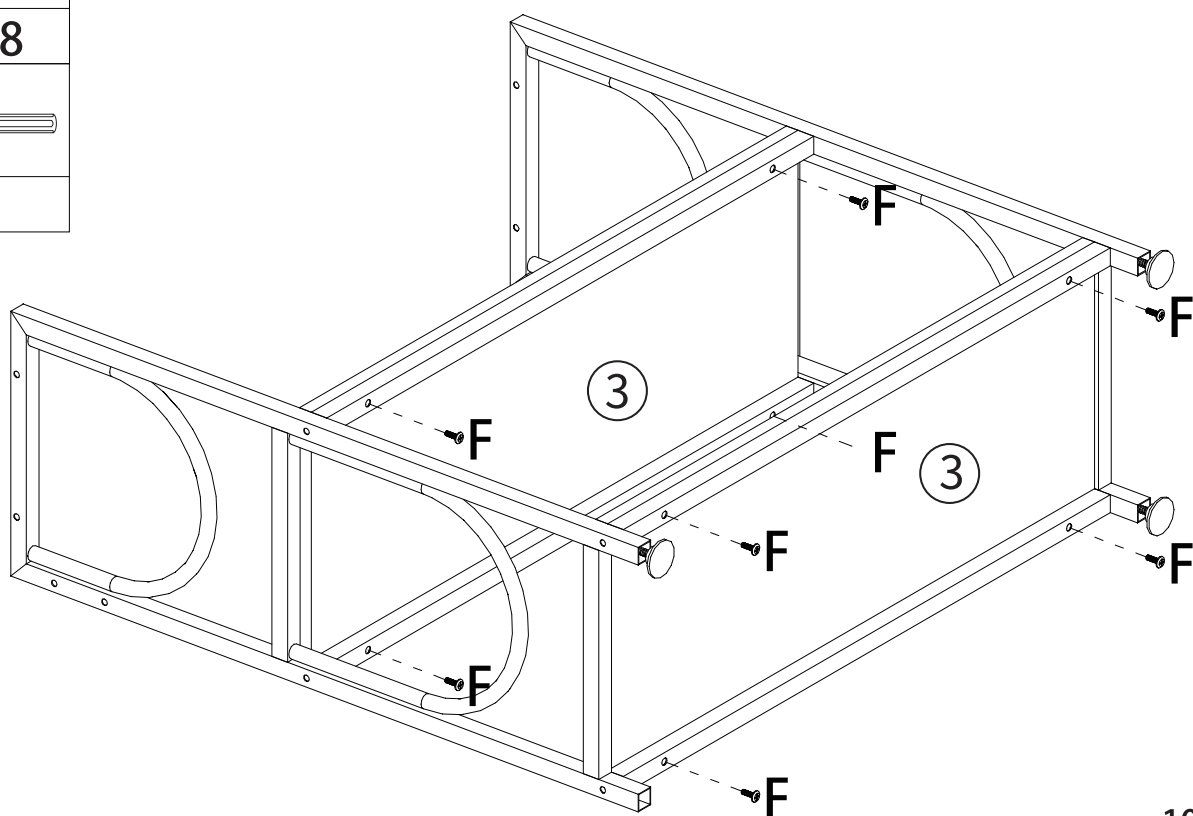
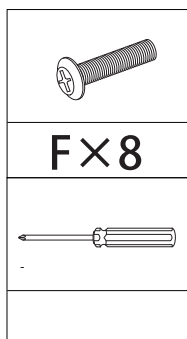

I × 4



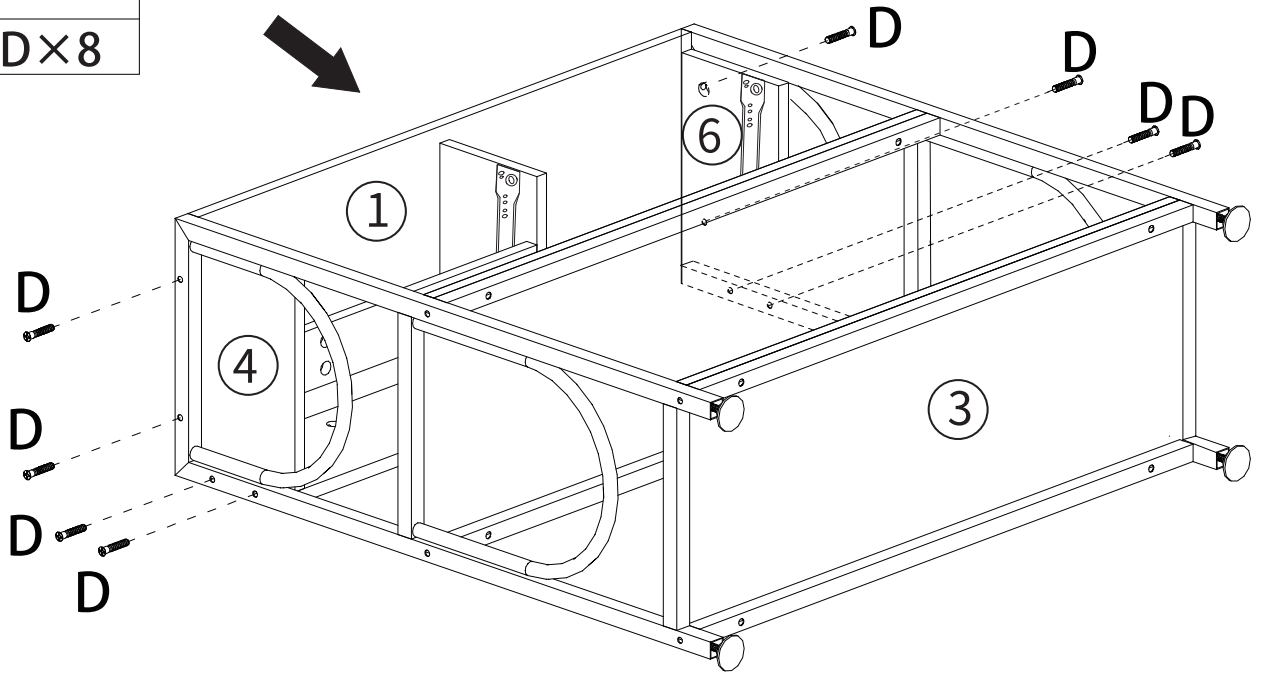
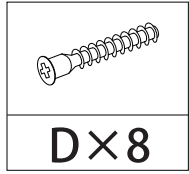
# STEP 13



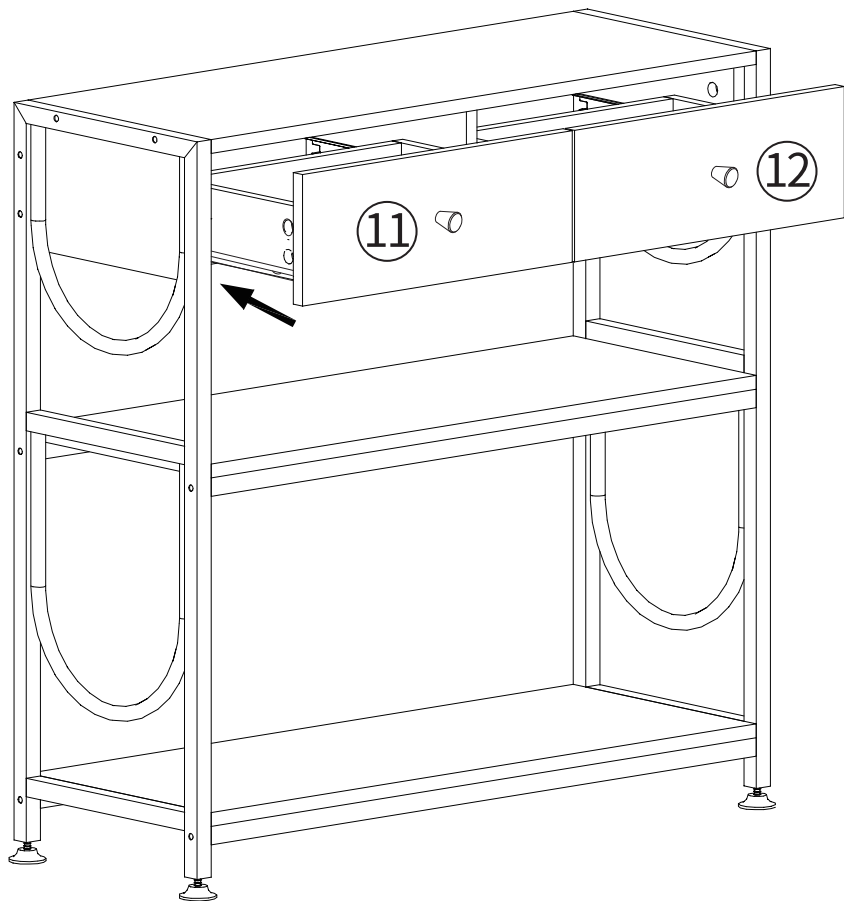
# STEP 14



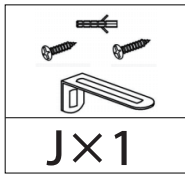
# STEP 15



# STEP 16



# STEP 17



**WARNING:** Always ensure the area to be drilled is free from hidden electrical wires, water and gas pipes.

