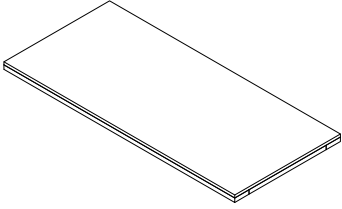
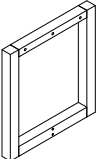
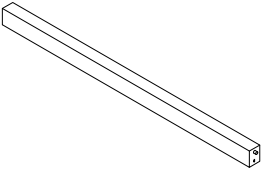
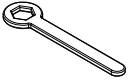
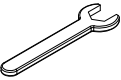






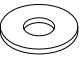


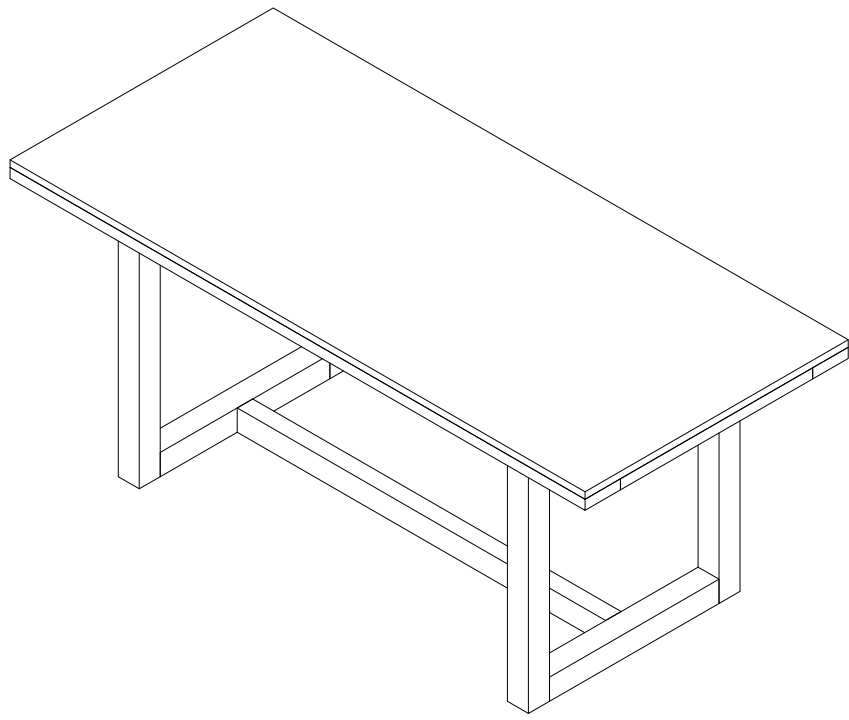
# Assembly Instructions

## 70" DINNING TABLE TAWNY

### Parts and Tools

<b>A</b>	51031197-A		X 1	<p><b>Before beginning</b></p> <p>1) Carefully unpack and position the item on a clean, non-marring surface to assemble.</p> <p>2) Read this Assembly Instructions from beginning to end before starting to assemble.</p> <p>3) Take an inventory of the required parts to ensure all are available.</p> <p>4) To prevent accidental choking hazards, keep all packing materials away from small children.</p> <p>5) Only tighten hardware until ALL hardware are fully engaged on their locations. Overtighten bolts will damage the bolt threads.</p> <p>6) Use only factory provided hardware to assemble. Unapproved hardware can damage product or jeopardize the structural integrity of the product.</p> <p>7) The use of power tool to assemble is not recommended due to high risk of over-torque, which can damage the product.</p>
<b>B</b>	51031197-B		X 2	
<b>C</b>	51031197-C		X 1	

<b>Z</b>	51031197-Z	<p>Z1</p>  <p>13 mm x1</p>	<p>Z2</p>  <p>17 mm x1</p>	<p>Z3</p>  <p>8x100 mm x2</p>	<p>Z4</p>  <p>8 mm x2</p>	<p>Z5</p>  <p>8 mm x2</p>	<p>Z6</p>  <p>8 mm x2</p>	<p>Z7</p>  <p>10x60 mm x6</p>	<p>Z8</p>  <p>10 mm x6</p>	<p>Z9</p>  <p>10 mm x6</p>
----------	------------	--	--	---	---	---	---	---	--	--



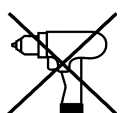
ASSEMBLY REQUIRES  
TWO PEOPLE



15 MINUTE  
ASSEMBLY TIME



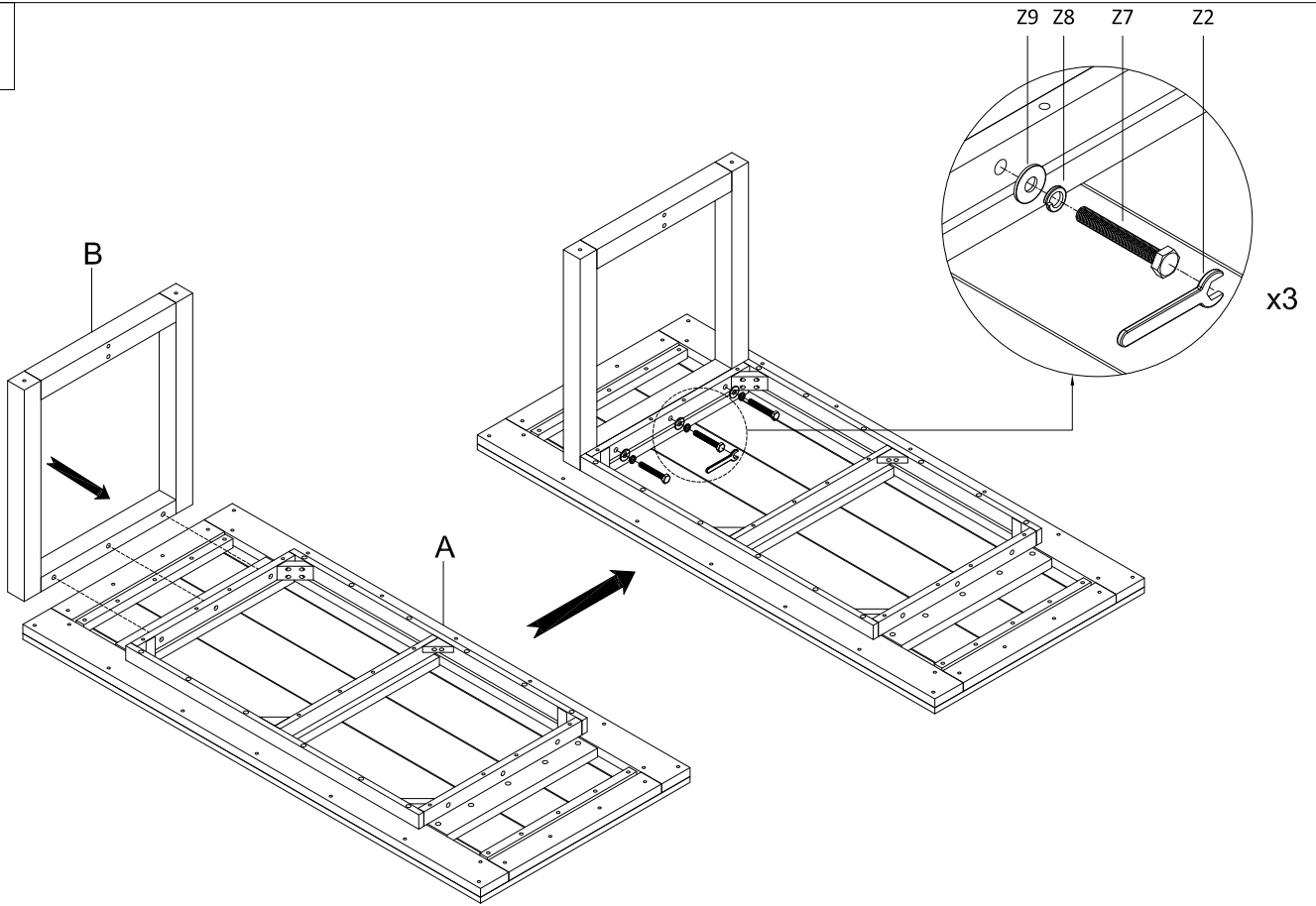
KEEP INSTRUCTIONS  
FOR FUTURE USE



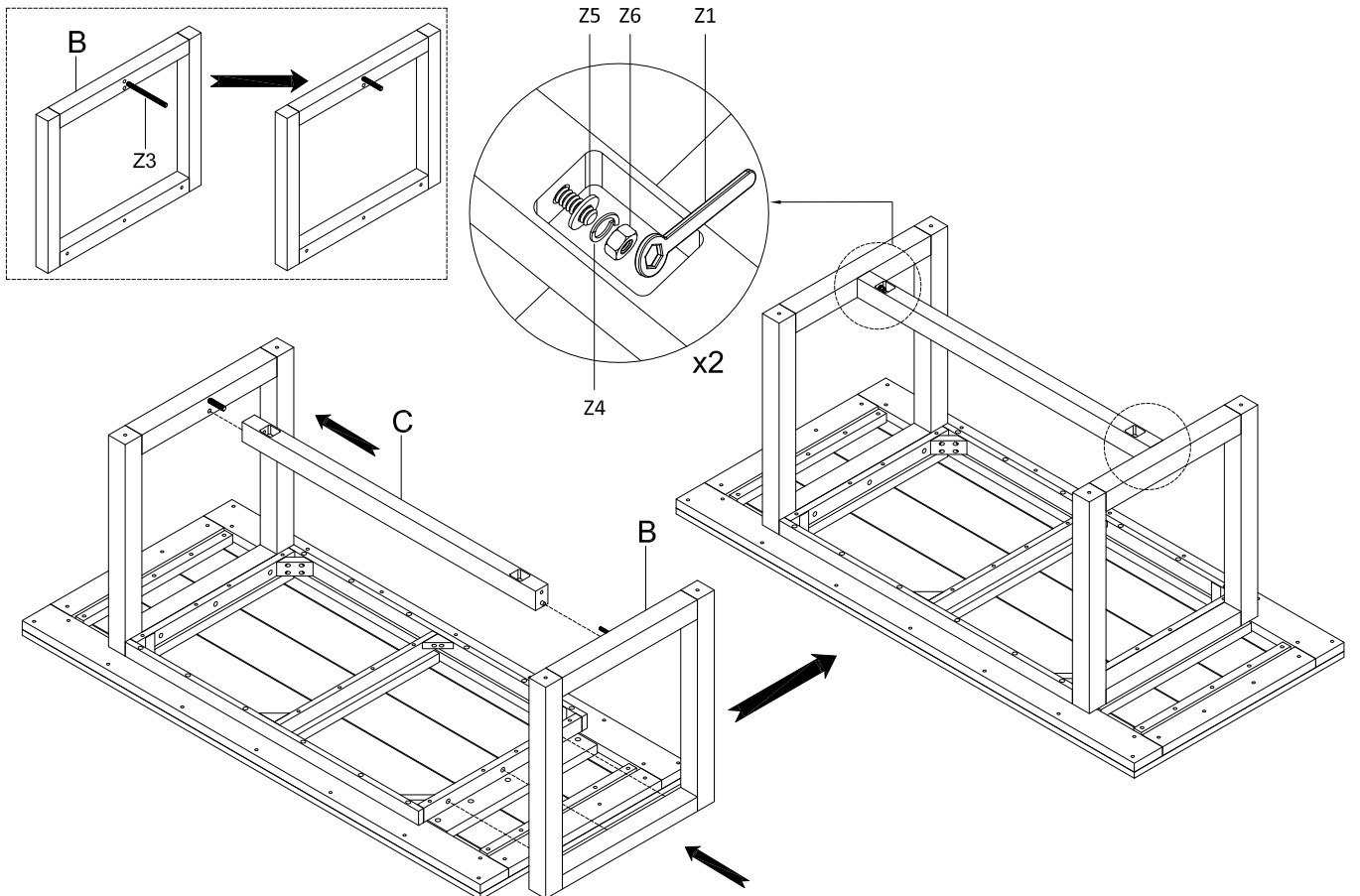
# Assembly Instructions

## 70" DINNING TABLE TAWNY

1

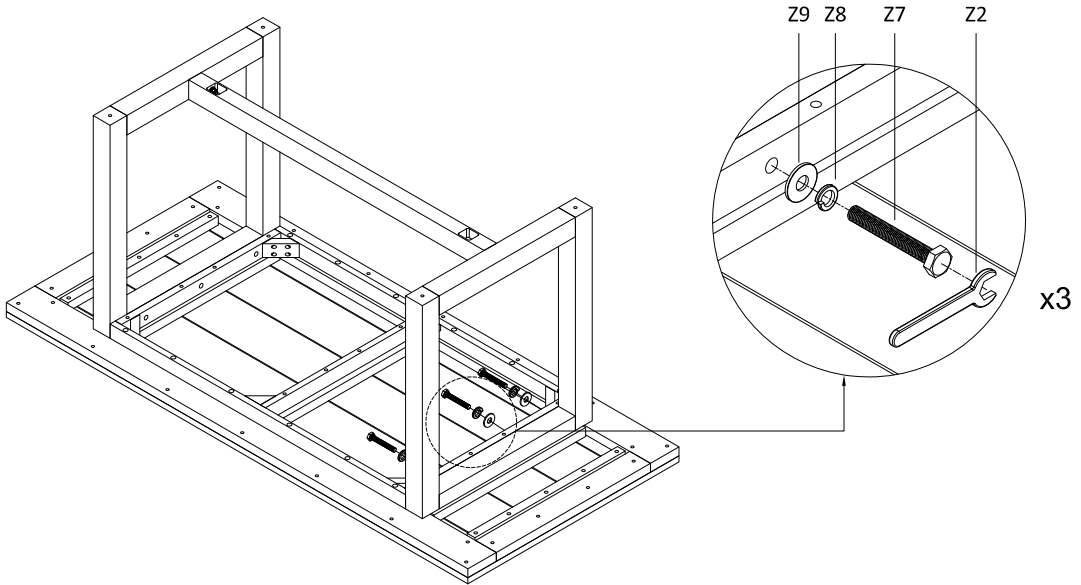


2



**Assembly Instructions**  
70" DINNING TABLE TAWNY

3



4

