



see what Delta can doSM

ACCESSORIES

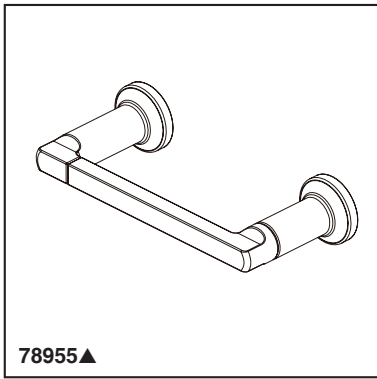
- Tetra™ Bath Collection
- Tissue holder

STANDARD SPECIFICATIONS:

- Wood blocking is preferable behind all wall surfaces. If wood blocking is not available, the following fasteners are suggested: Tile/Masonry-Plastic or lead Anchors Plaster/drywall-Toggle bolts.
- Mounting hardware included with product.
- Pivoting arm

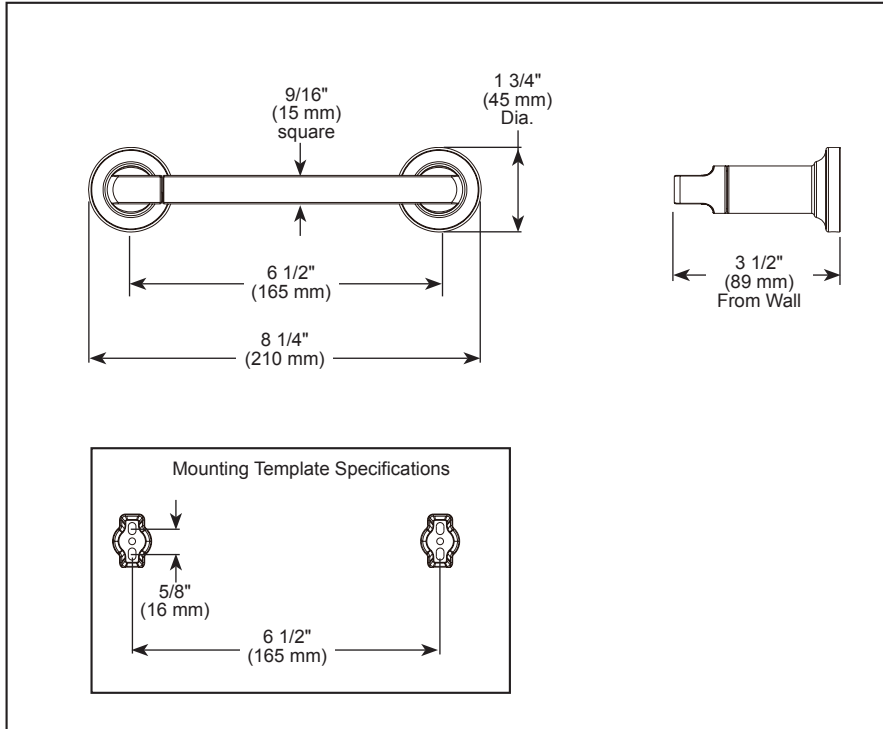
WARRANTY

- Parts and Finish - Lifetime limited warranty; or for commercial purchasers, 10 years for multi-family residential (apartments and condominiums) and 5 years for all other commercial uses, in each case from the date of purchase.



Submitted Model No.: _____

Specific Features: _____



▲ Designate Proper Finish Suffix