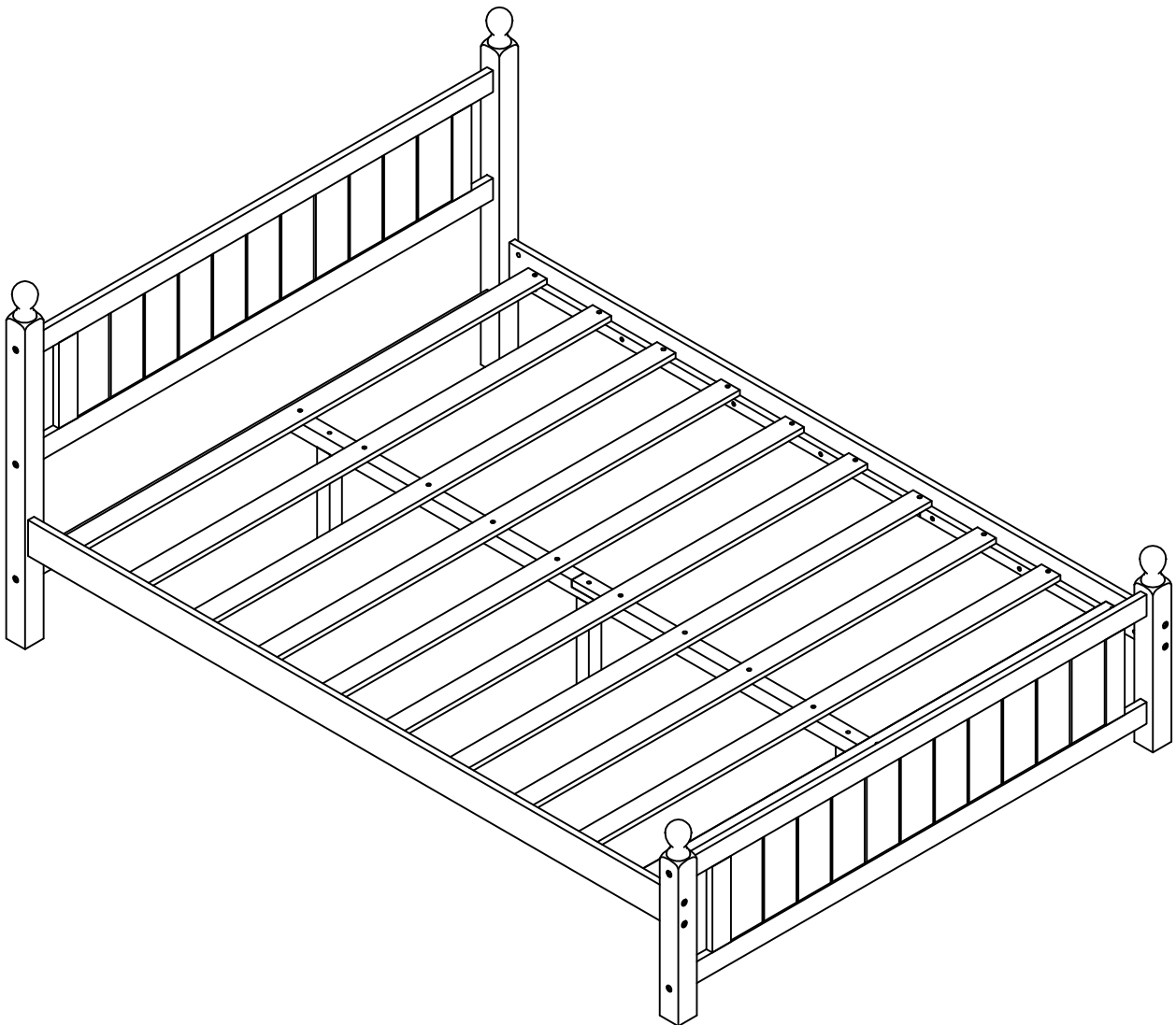
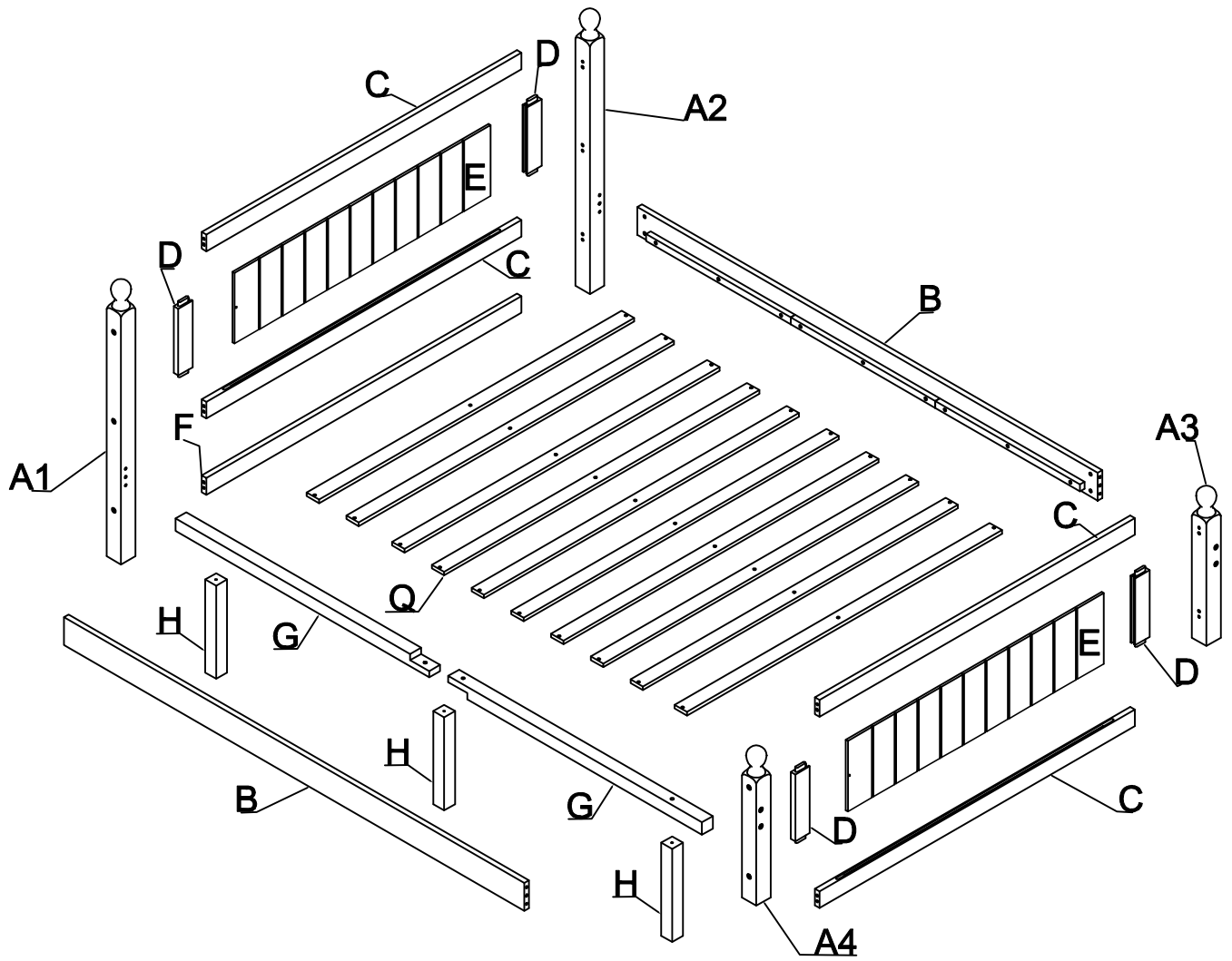


# ASSEMBLY INSTRUCTIONS

ITEM CODE: WF318573



# DETAIL VIEW



# BOX: WF318573

A1



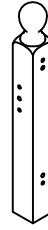
Left Fore Leg - (1pc)

A2



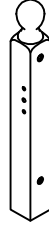
Left Hind Leg - (1pc)

A3



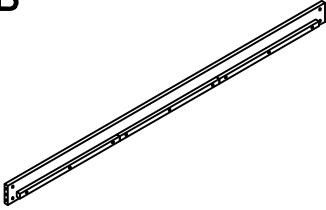
Right Hind Leg - (1pc)

A4



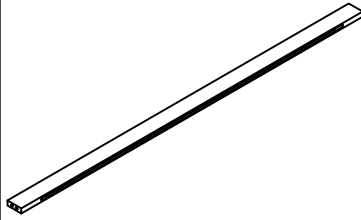
Right Fore Leg - (1pc)

B



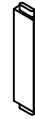
Shoulder Bed - (2pcs)

C



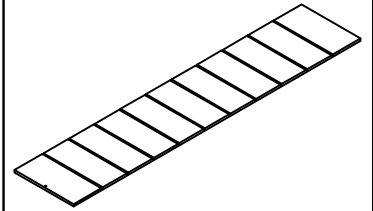
Frame Horizontal Bar - (4pcs)

D



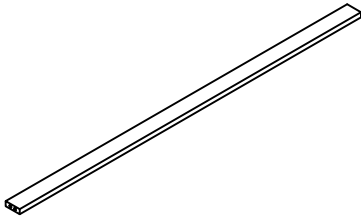
Vertical Bar - (4pcs)

E



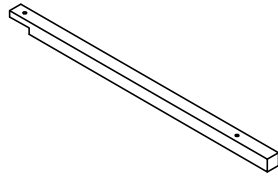
Hip Plank - (2pcs)

F



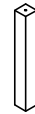
Horizontal Below - (1pc)

G



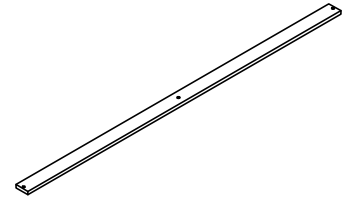
Support slats - (2pcs)

H



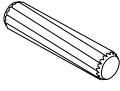
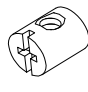
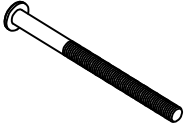
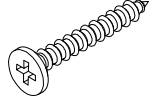
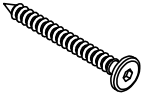
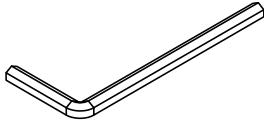
Extra leg - (3pcs)

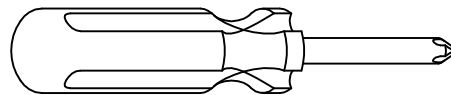
Q



Slats - (10pcs)

# HARDWARE LIST: WF318573

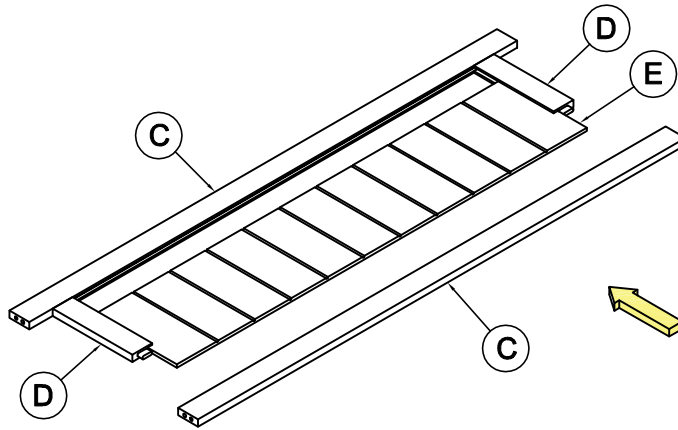
<p>1</p>  <p>Wood dowel Ø8 * 30 - 14pcs</p>	<p>2</p>  <p>Horizontal - Hold bolts Ø1/4" - 18pcs</p>	<p>3</p>  <p>Hex - Head bolts Ø1/4" * 110 - 18pcs</p>	<p>4</p>  <p>Wood crews M4 * 25 - 30pcs</p>
<p>5</p>  <p>Hexagonal bolts catch wood Ø1/4" * 70 - 3pcs</p>	<p>6</p>  <p>Allen key K4 - 1pc</p>		



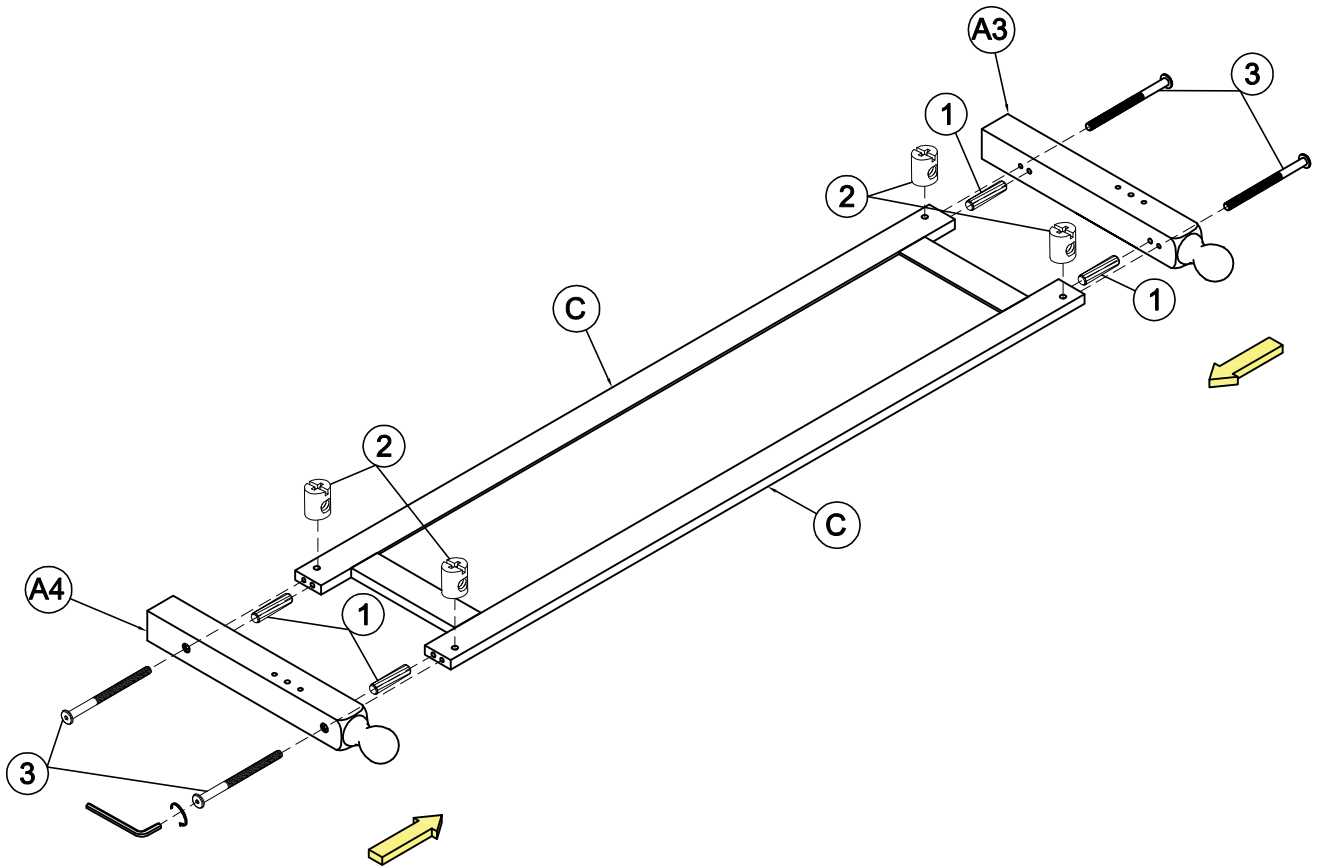
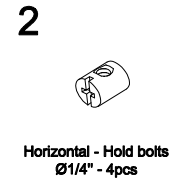
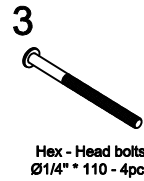
Assembly Tools Required (Not Included)

# STEP 1

# X2



# STEP 2



# STEP 3

1



Wood dowel  
Ø8 \* 30 - 6pcs

2

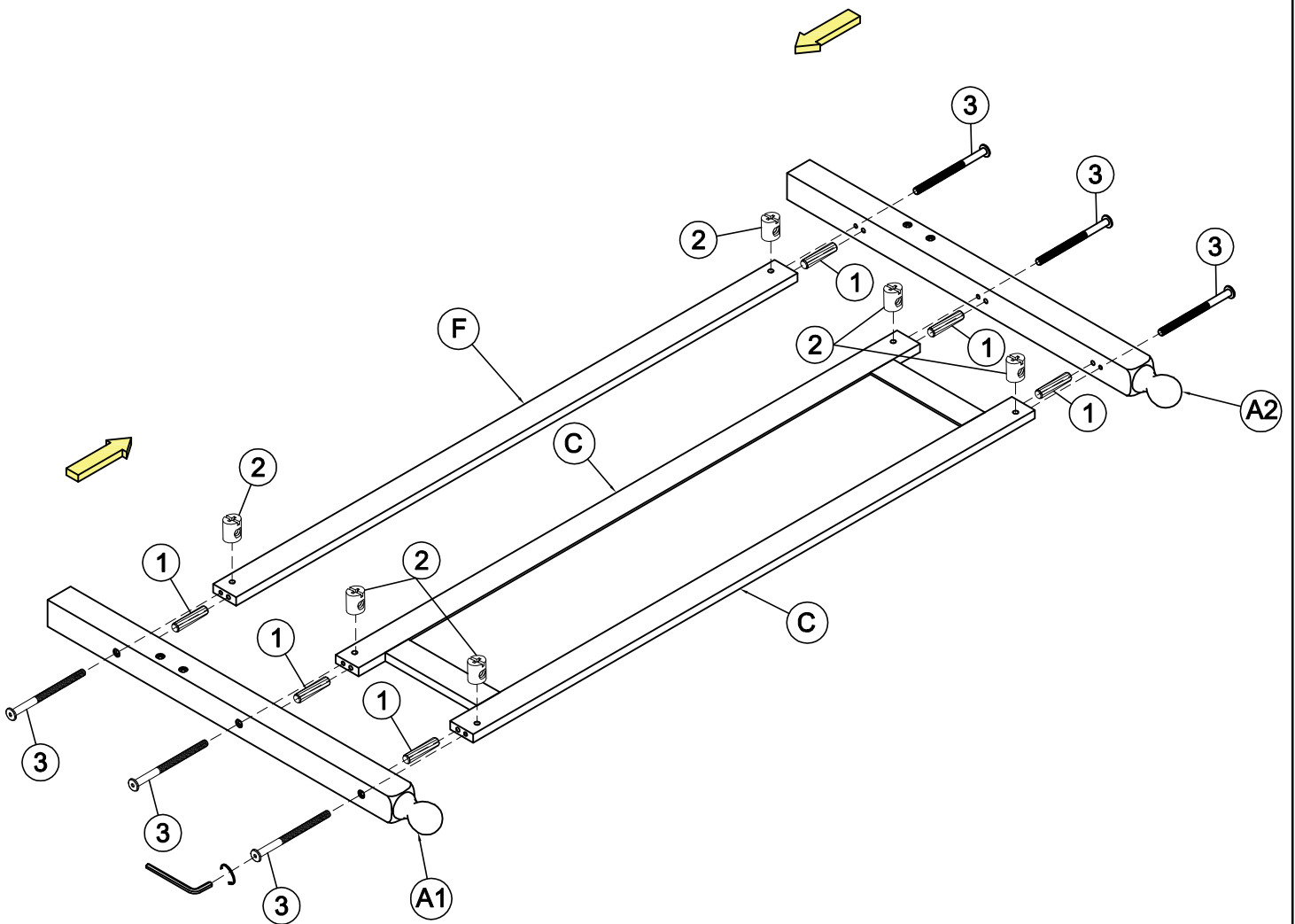


Horizontal - Hold bolts  
Ø1/4" - 6pcs

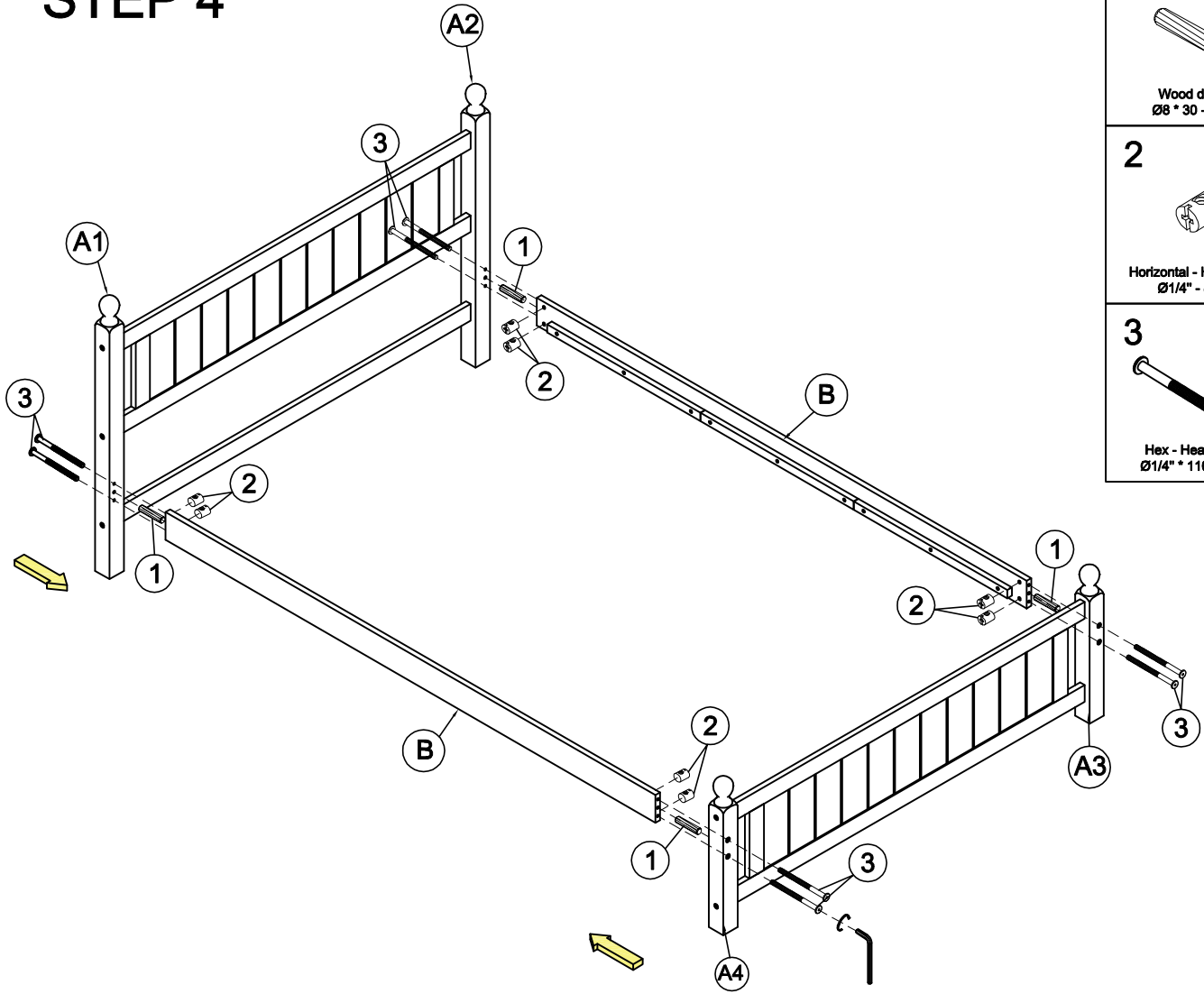
3



Hex - Head bolts  
Ø1/4" \* 110 - 6pcs



# STEP 4



1



Wood dowel  
Ø8 \* 30 - 4pcs

2



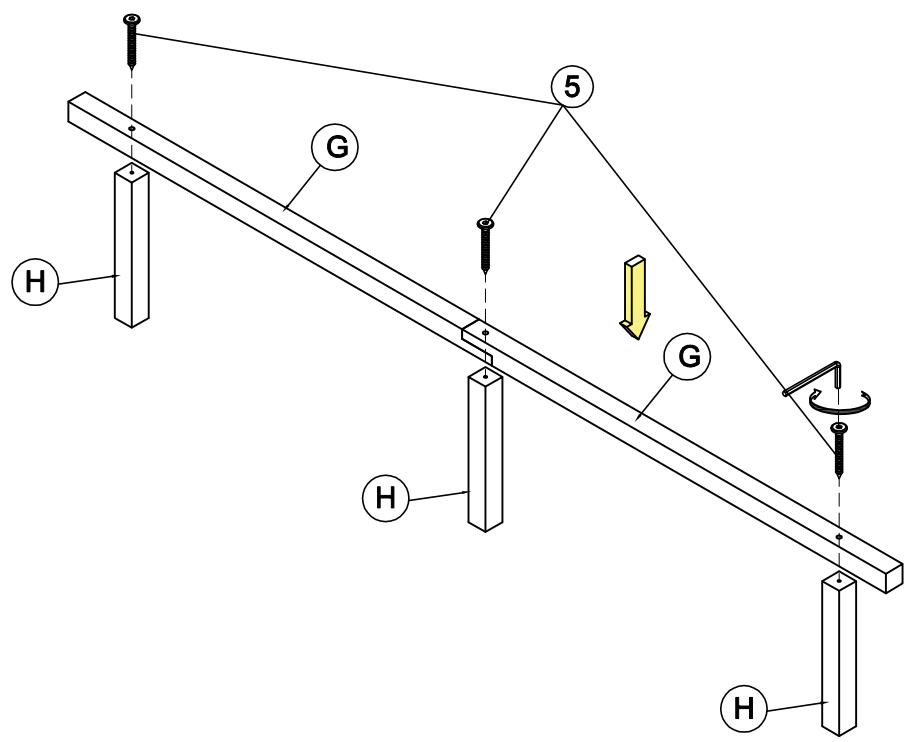
Horizontal - Hold bolts  
Ø1/4" \* 8pcs

3



Hex - Head bolts  
Ø1/4" \* 110 - 8pcs

# STEP 5



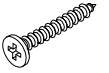
5



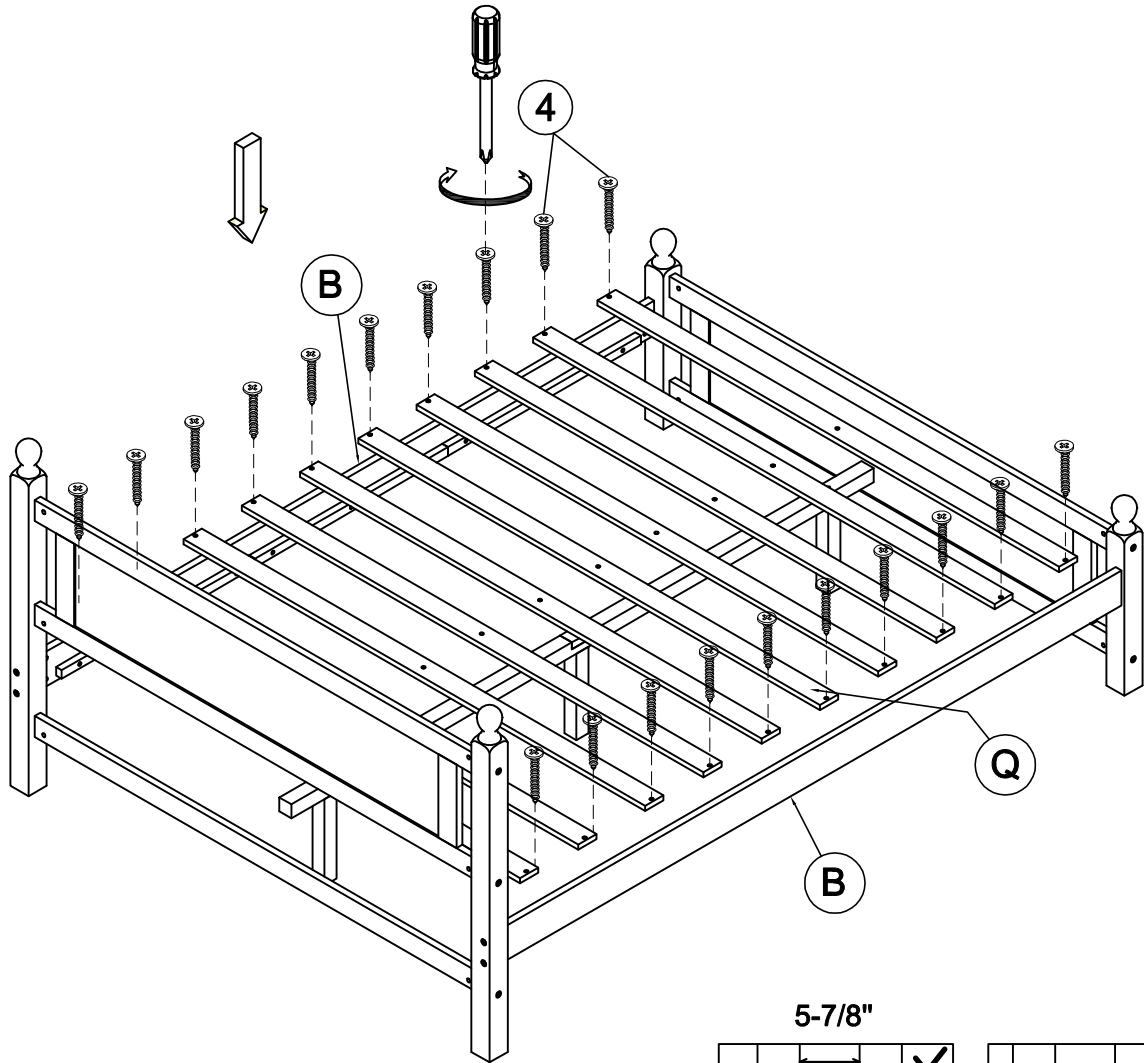
Hexagonal bolts catch wood  
Ø1/4" \* 70 - 3pcs

# STEP 5

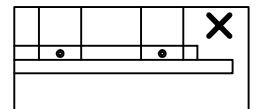
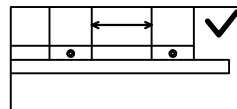
4



Wood crews  
M4 \* 25 - 30pcs



5-7/8"



**Note:** Do not lock the screws of the bed slats to be outermost edge the bed slats, you need to leave a certain space at the edges, otherwise it will cause the board to break  
There are no reserved holes, screws can be drilled in

COMPLETED

