

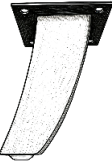



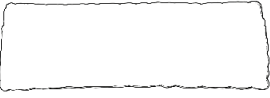


# ASSEMBLY INSTRUCTIONS

A		x3	E		x1
B		x3	F		x1
C		x2	G		x24
D		x2	H		

