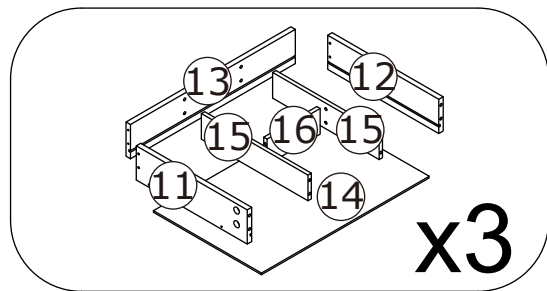
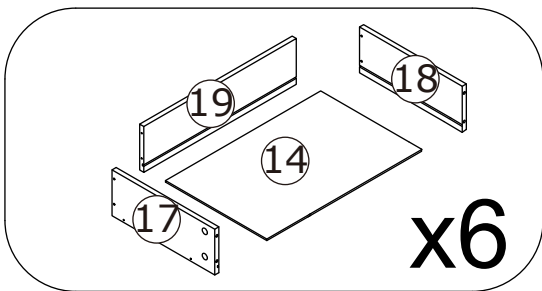
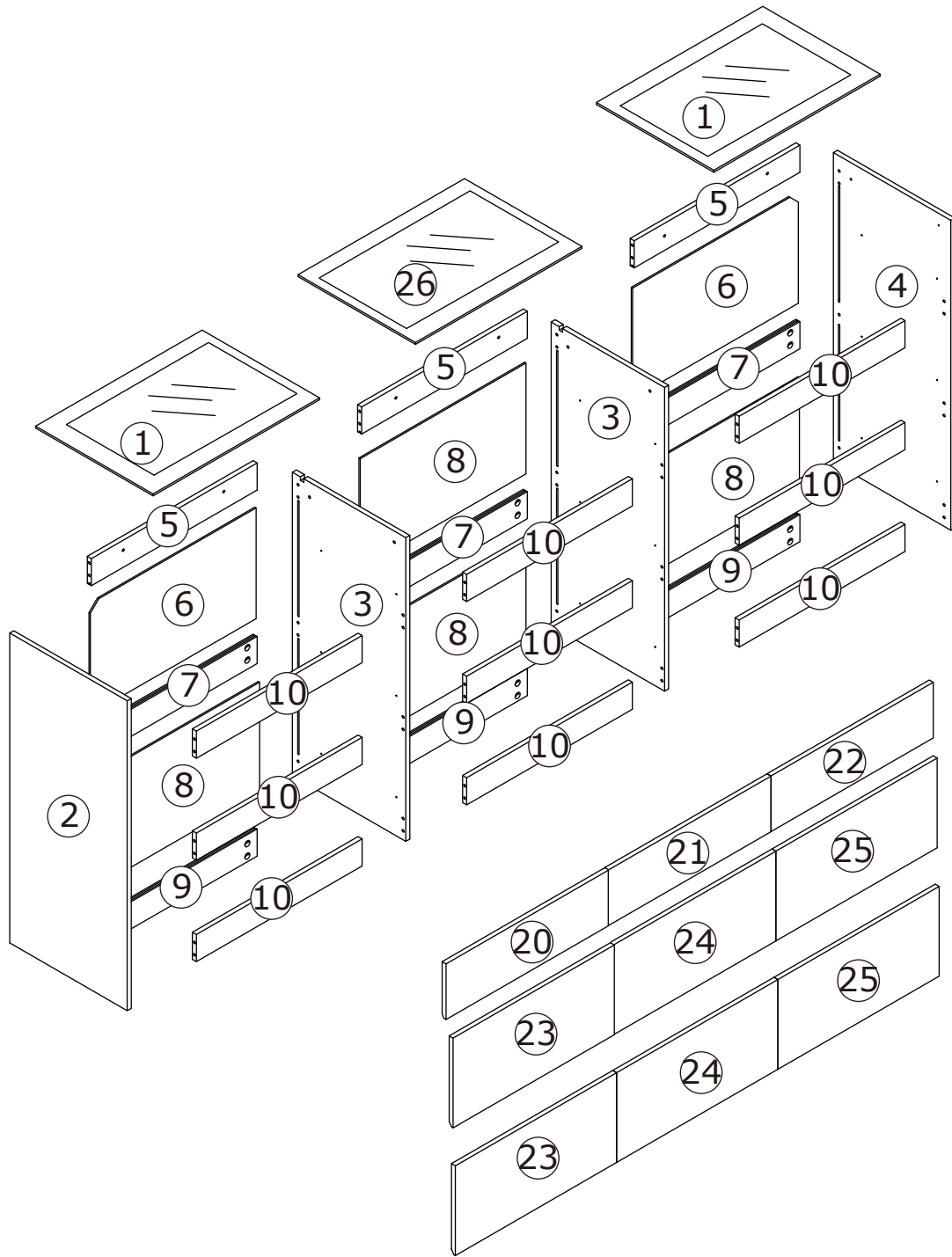
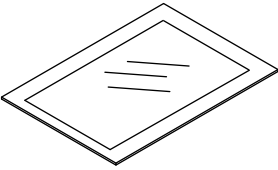
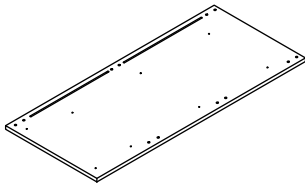
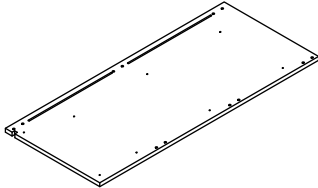
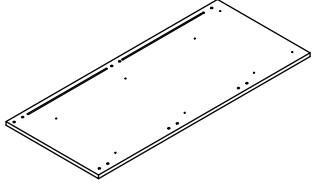
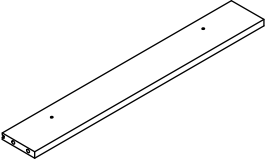
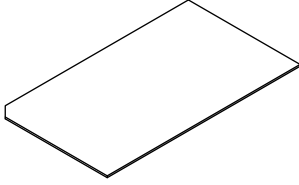
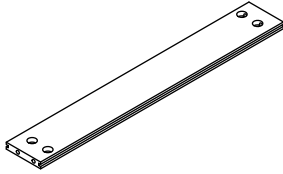
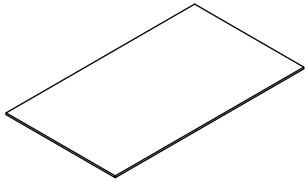
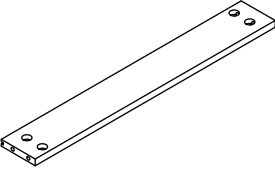
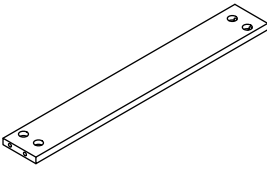
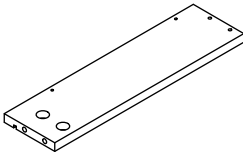
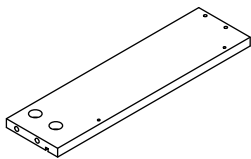
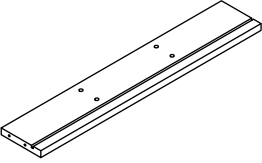
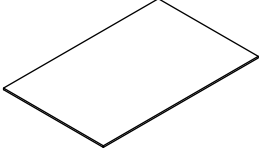
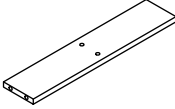
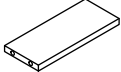
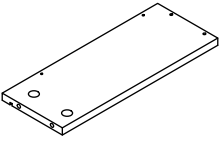
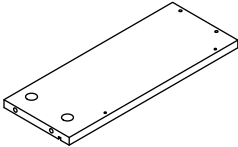
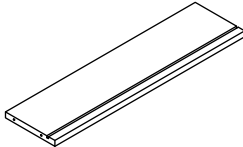
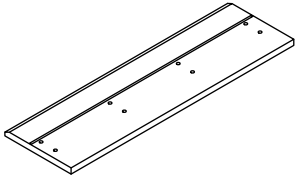
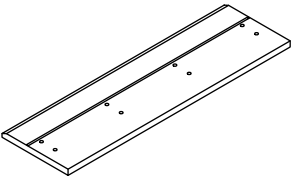
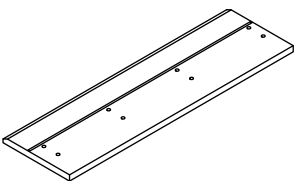
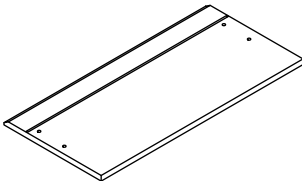
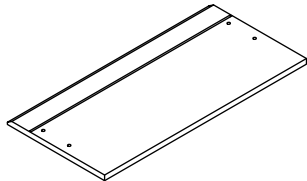
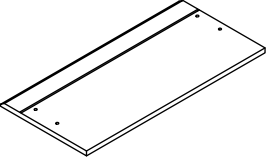
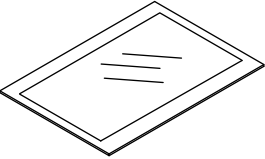


Installation instruction

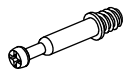


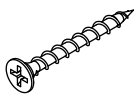





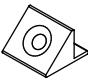

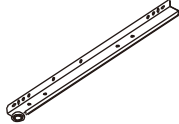
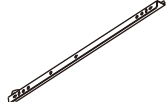
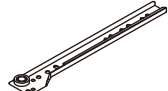
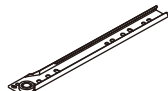
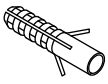
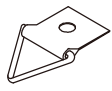



Parts and Operation Elements

			
① 2pcs	② 1pcs	③ 2pcs	④ 1pcs
			
⑤ 3pcs	⑥ 2pcs	⑦ 3pcs	⑧ 4pcs
			
⑨ 3pcs	⑩ 9pcs	⑪ 3pcs	⑫ 3pcs
			
⑬ 3pcs	⑭ 9pcs	⑮ 6pcs	⑯ 3pcs
			
⑰ 6pcs	⑱ 6pcs	⑲ 6pcs	⑳ 1pcs
			
㉑ 1pcs	㉒ 1pcs	㉓ 2pcs	㉔ 2pcs

	
②⑤ 2pcs	②⑥ 1pcs

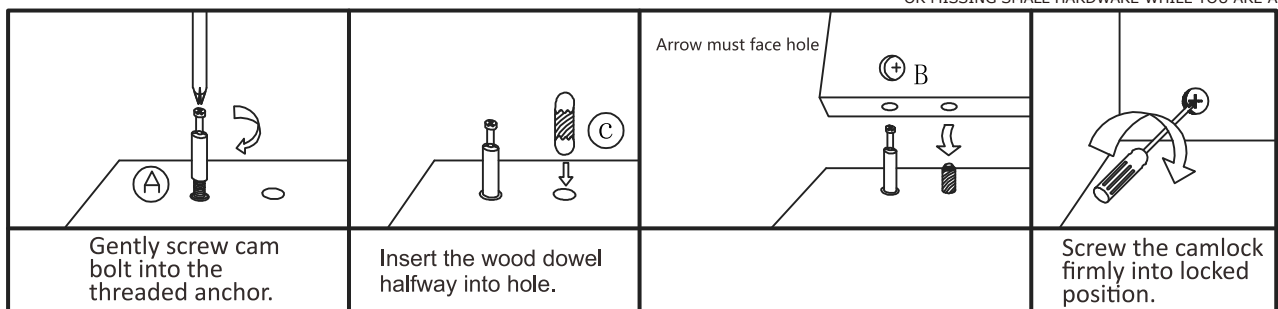
Hardware

									
Cam bolt		Cam Lock		6x30mm Wood dowel		4x35mm screw		3x12mm screw	
A	108pcs	B	108pcs	C	36pcs	D	38pcs	E	78pcs
									
3.5x12mm screw									
F	12pcs	G	12pcs	H	1pcs	J	6pcs	K	24pcs
									
3x14mm screw									
L	26pcs	DR	9pcs	DL	9pcs	CR	9pcs	CL	9pcs
									
N	2pcs	O	4pcs	P	2pcs				

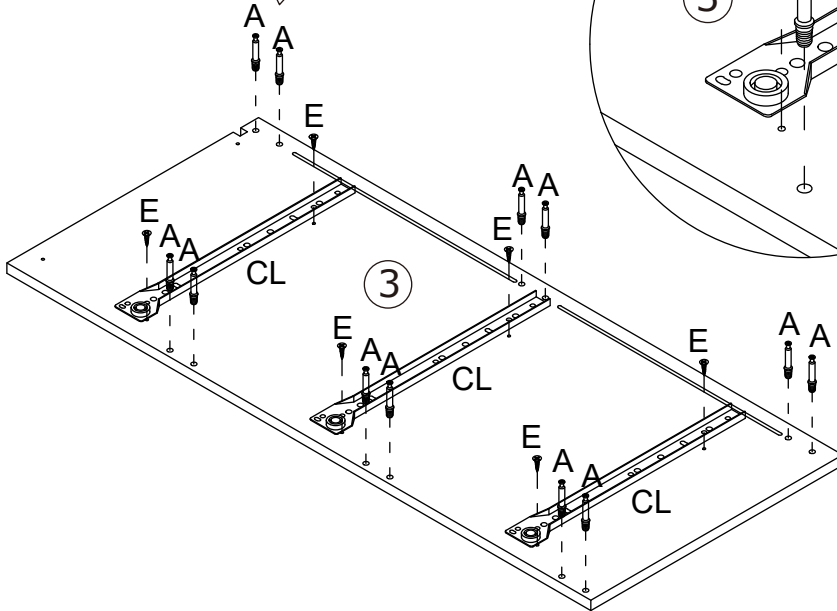
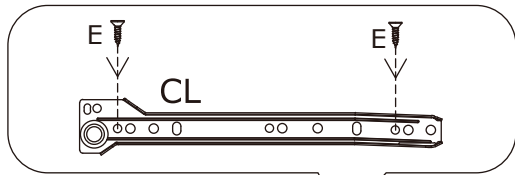




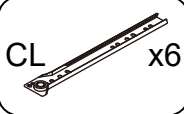
SPARE BAG

THE SPARE BAG INCLUDED EXTRA HARDWARE FOR DAMAGED OR MISSING SMALL HARDWARE WHILE YOU ARE ASSEMBLING



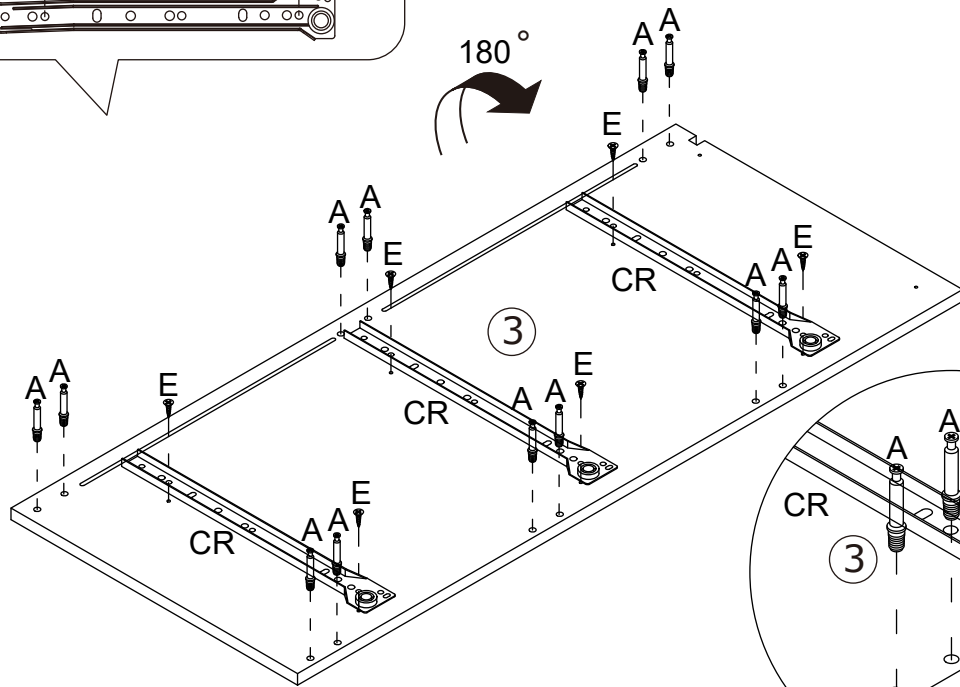
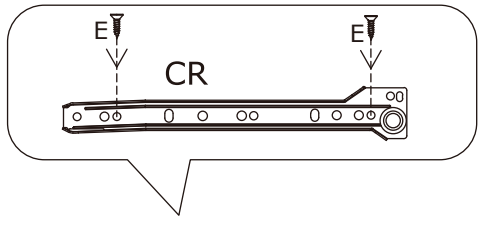
1

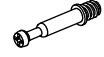




- A  x24
- E  x12
- CL  x6

x2

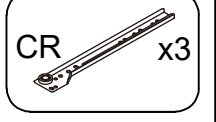
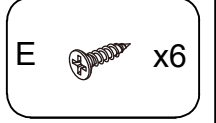
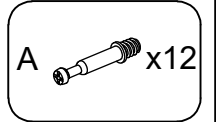
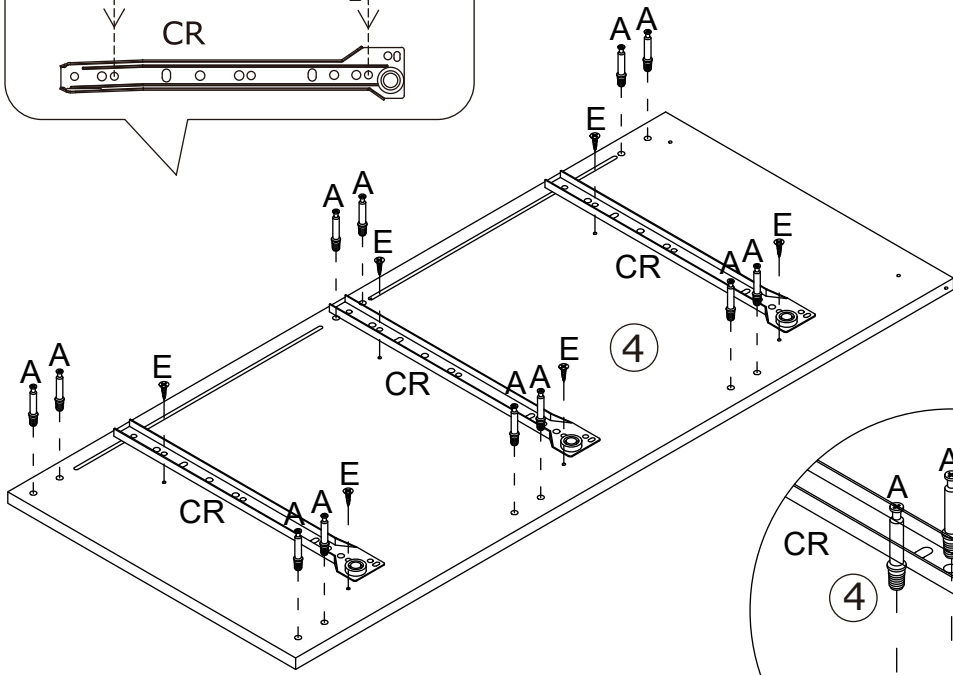
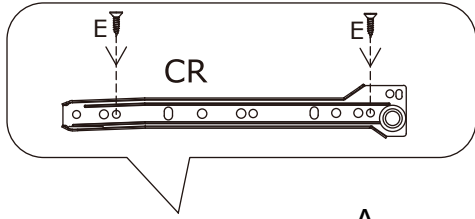
2



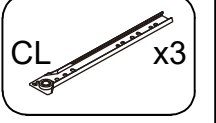
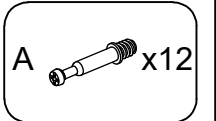
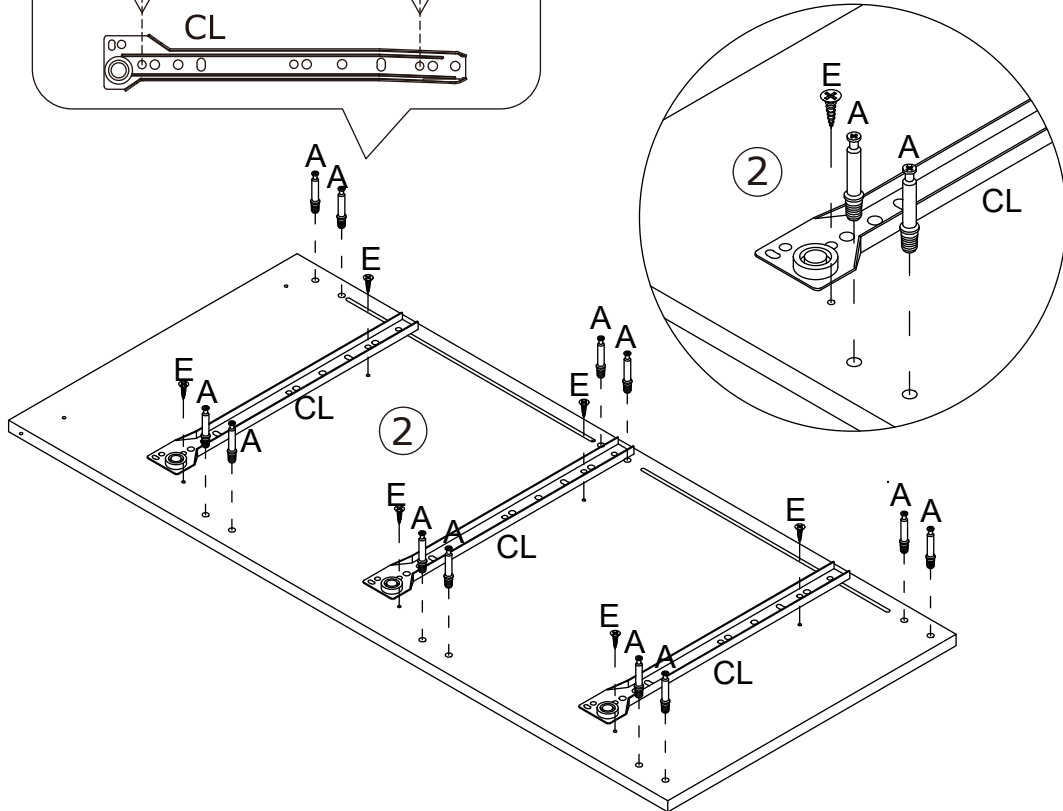
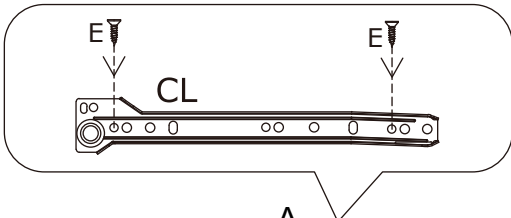
- A  x24
- E  x12
- CR  x6

x2


3

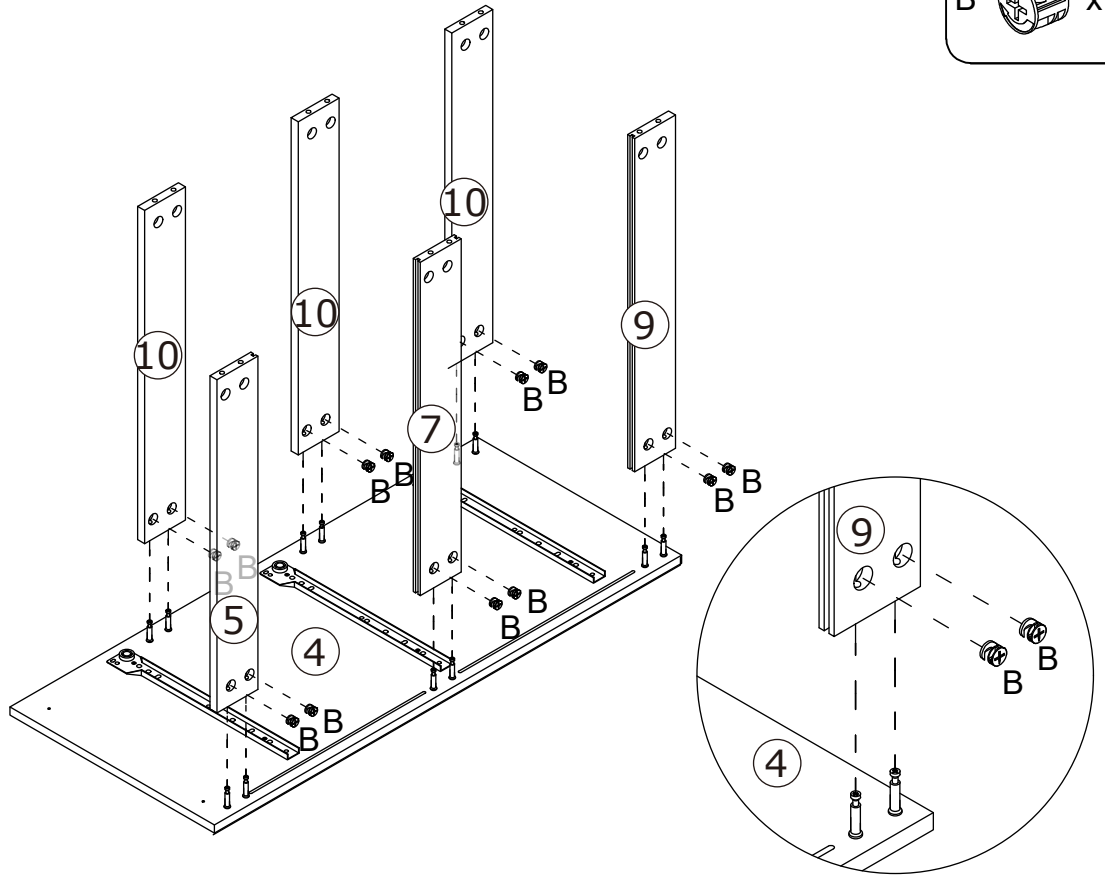


4

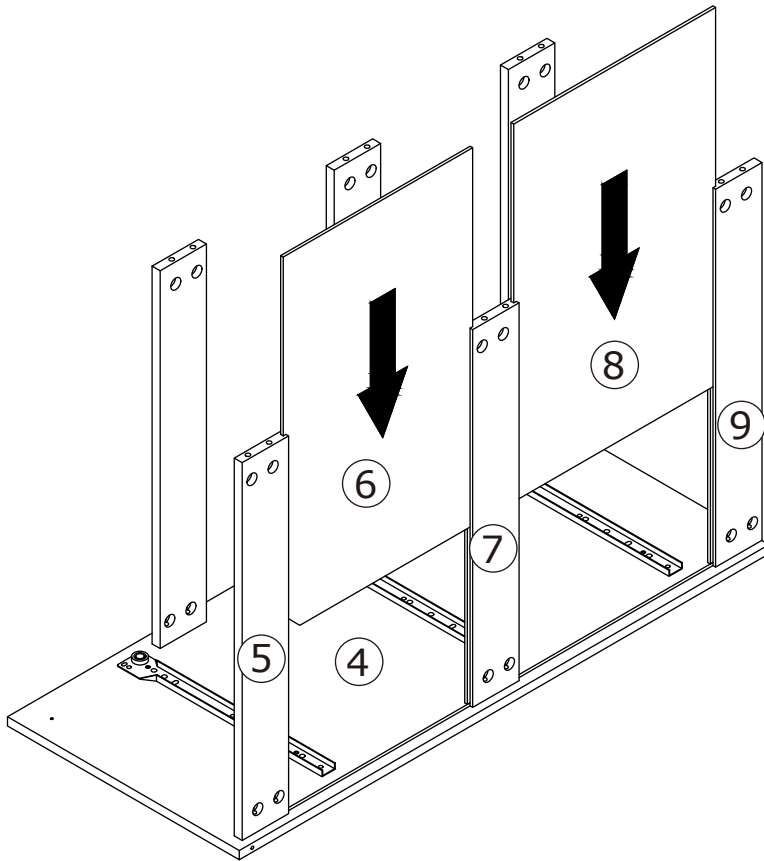


5

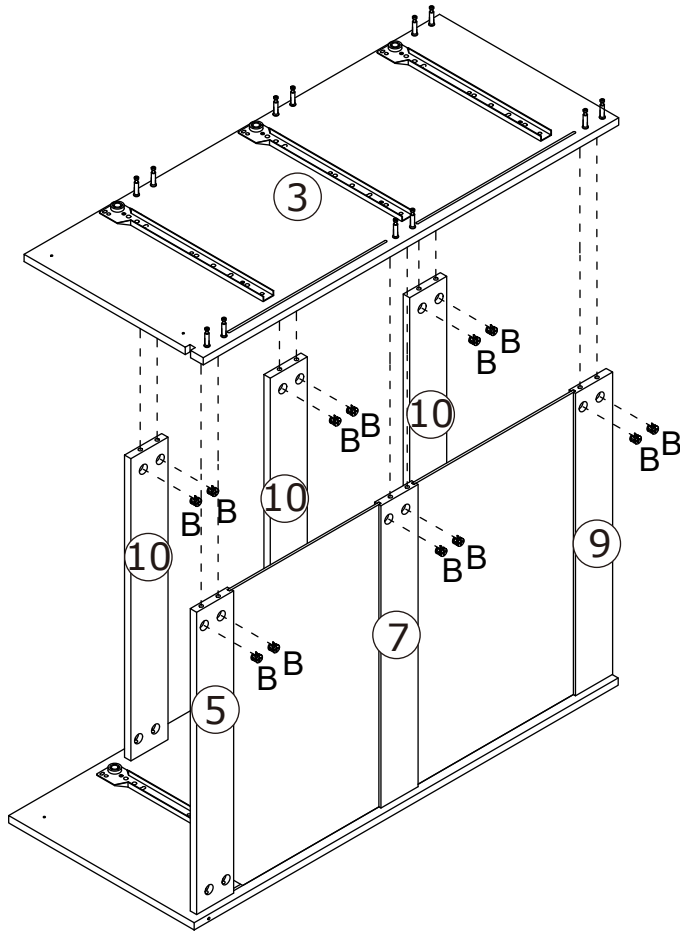
B  x12



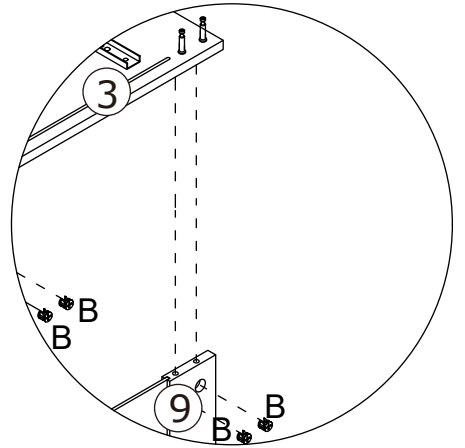
6



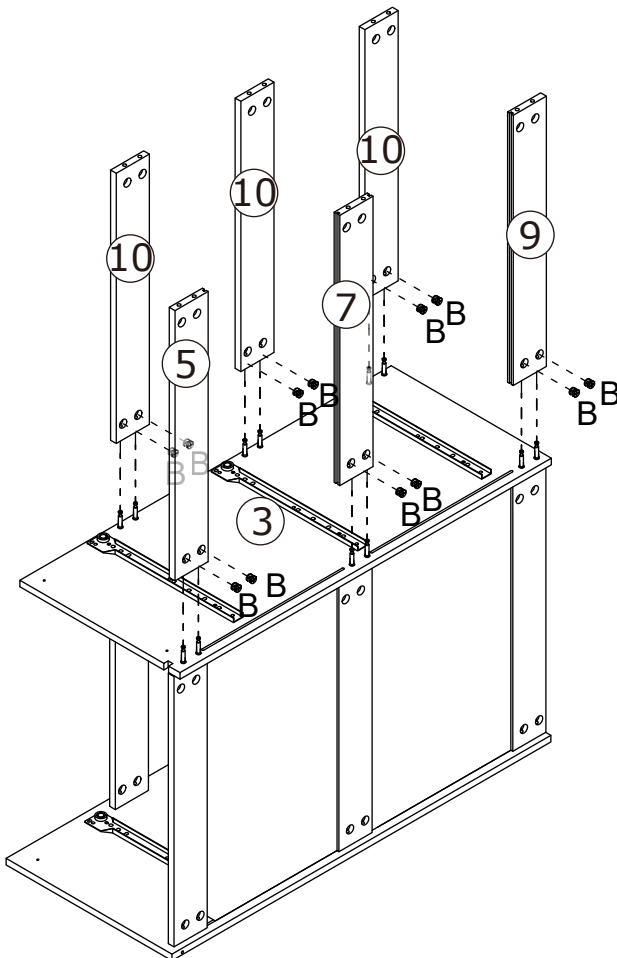
7



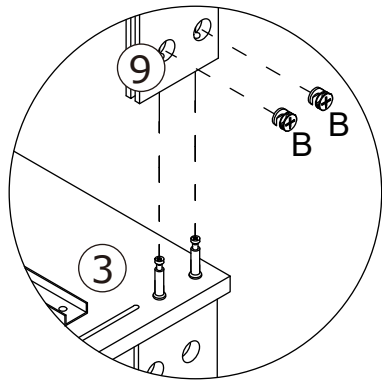
B  x12



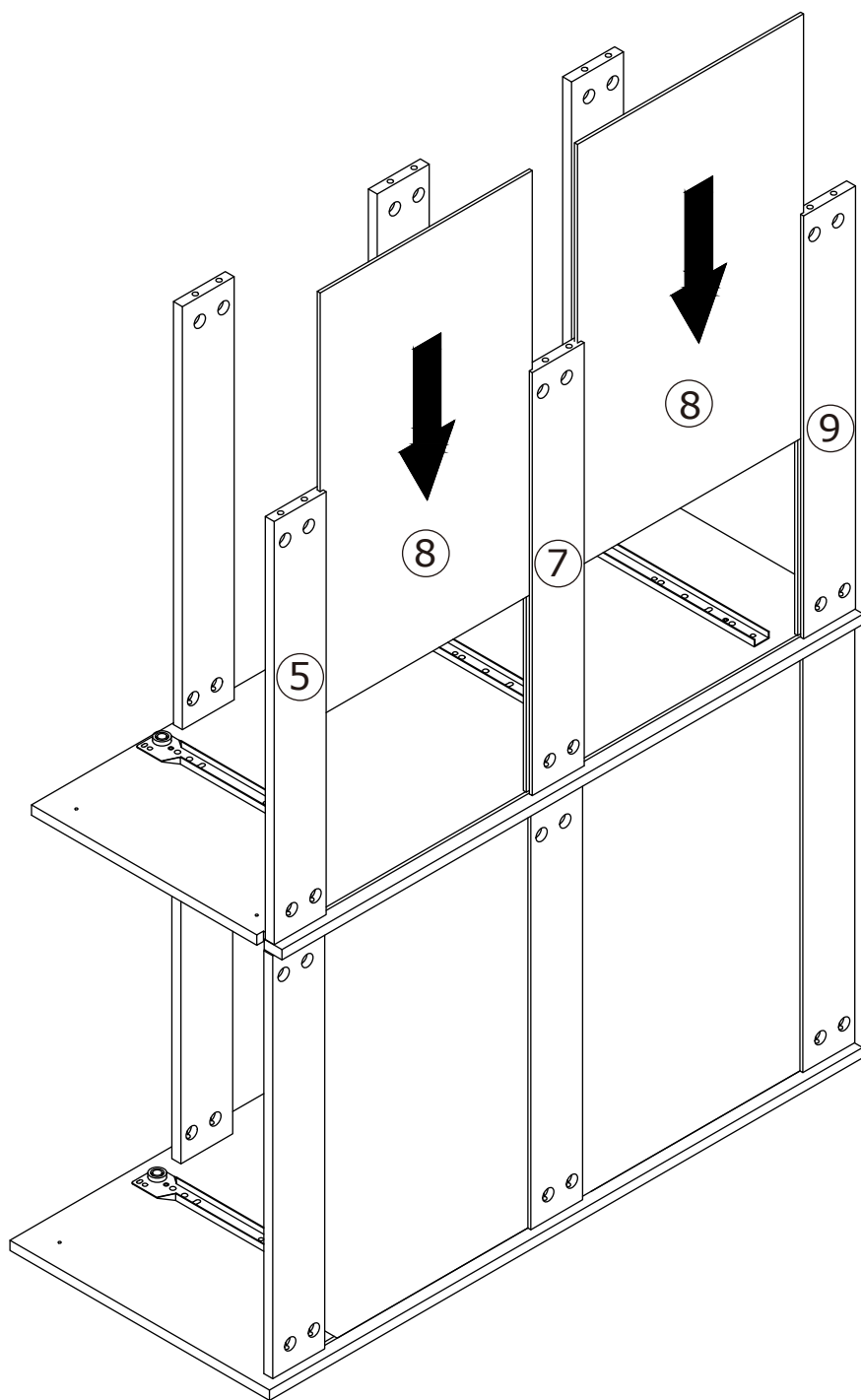
8




B  x12

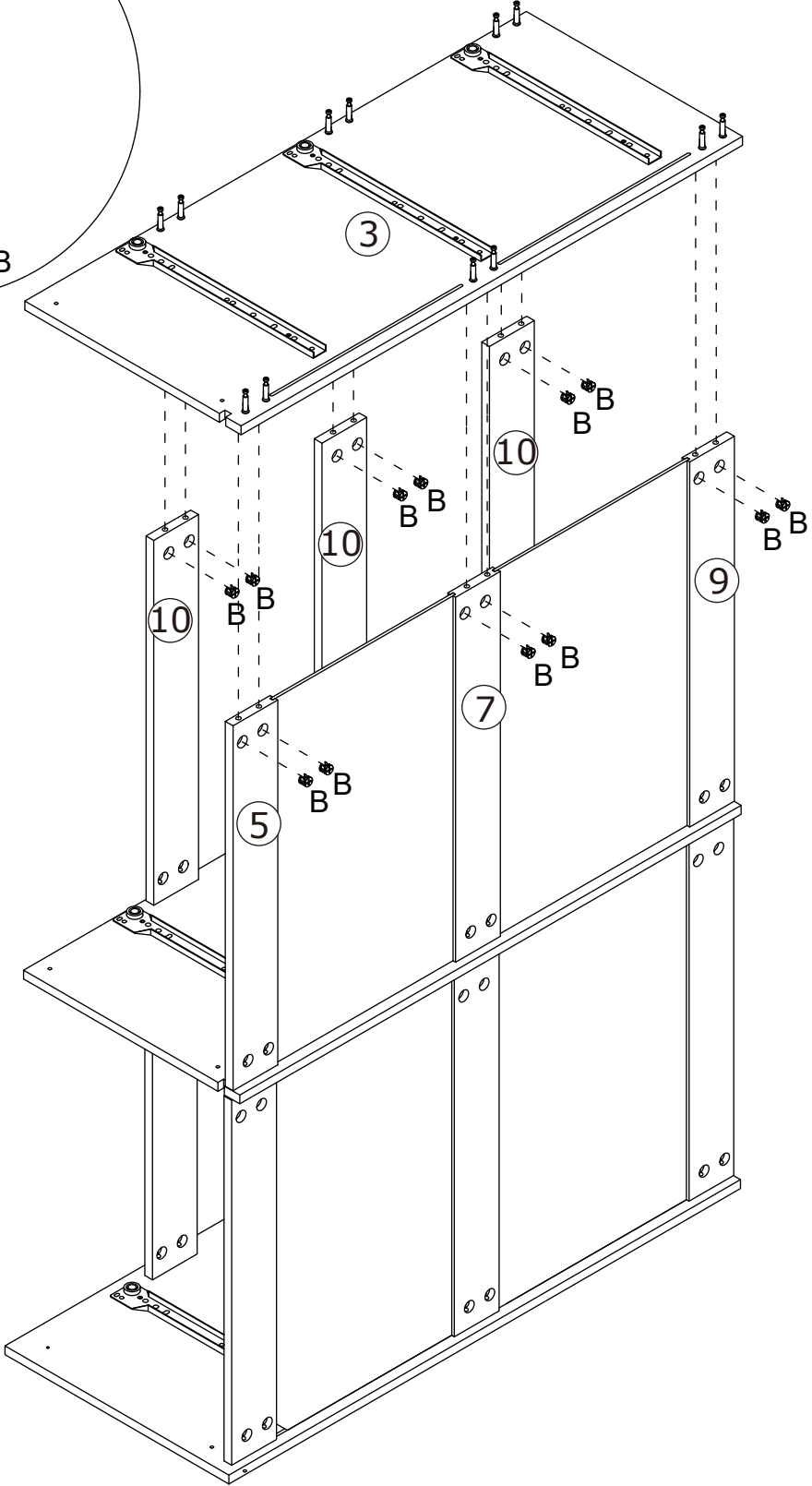
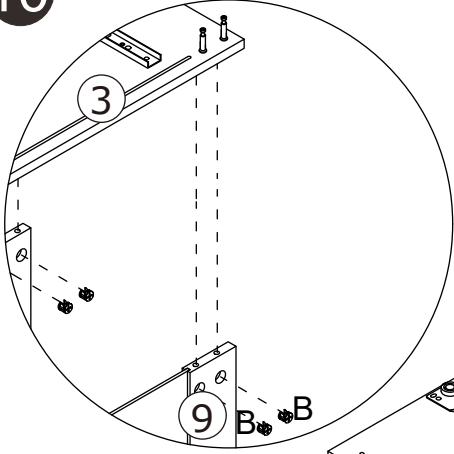


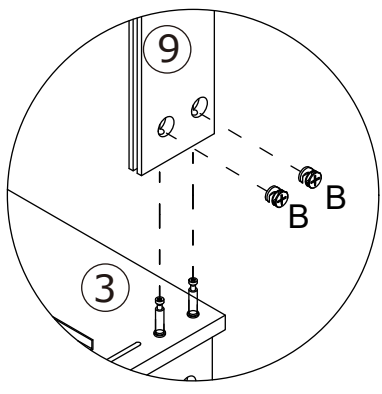
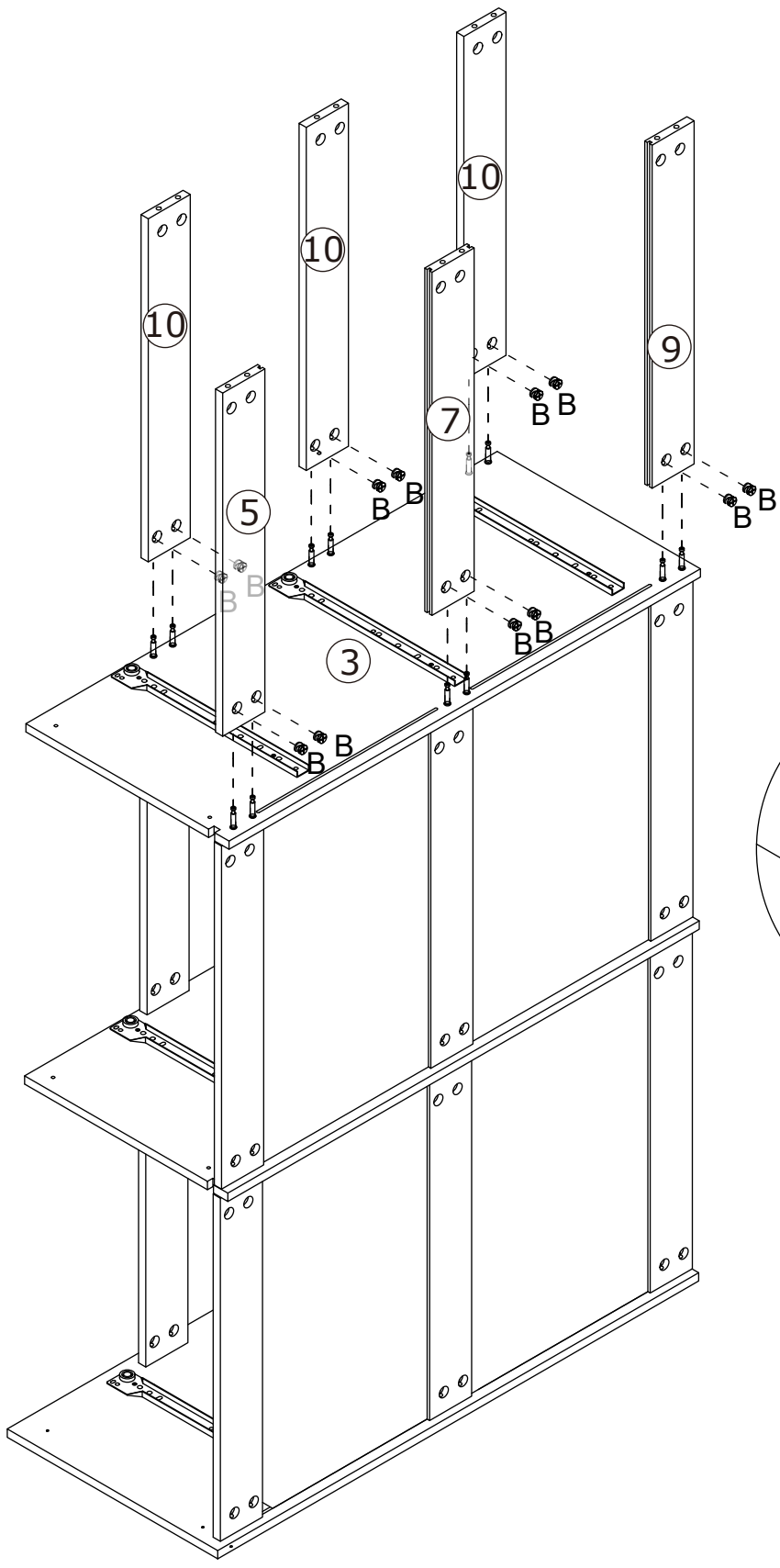
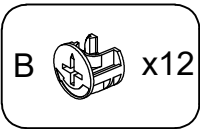
9

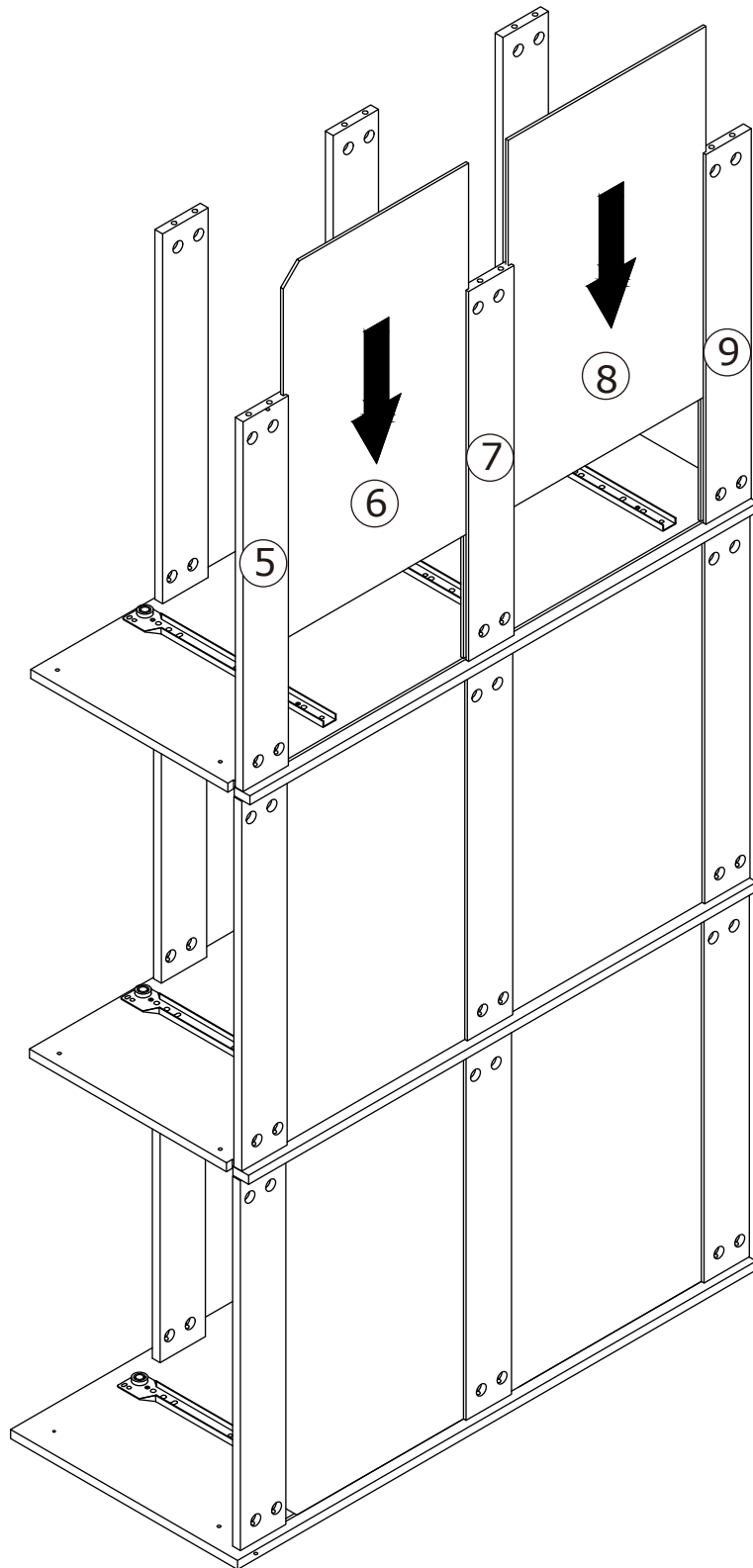


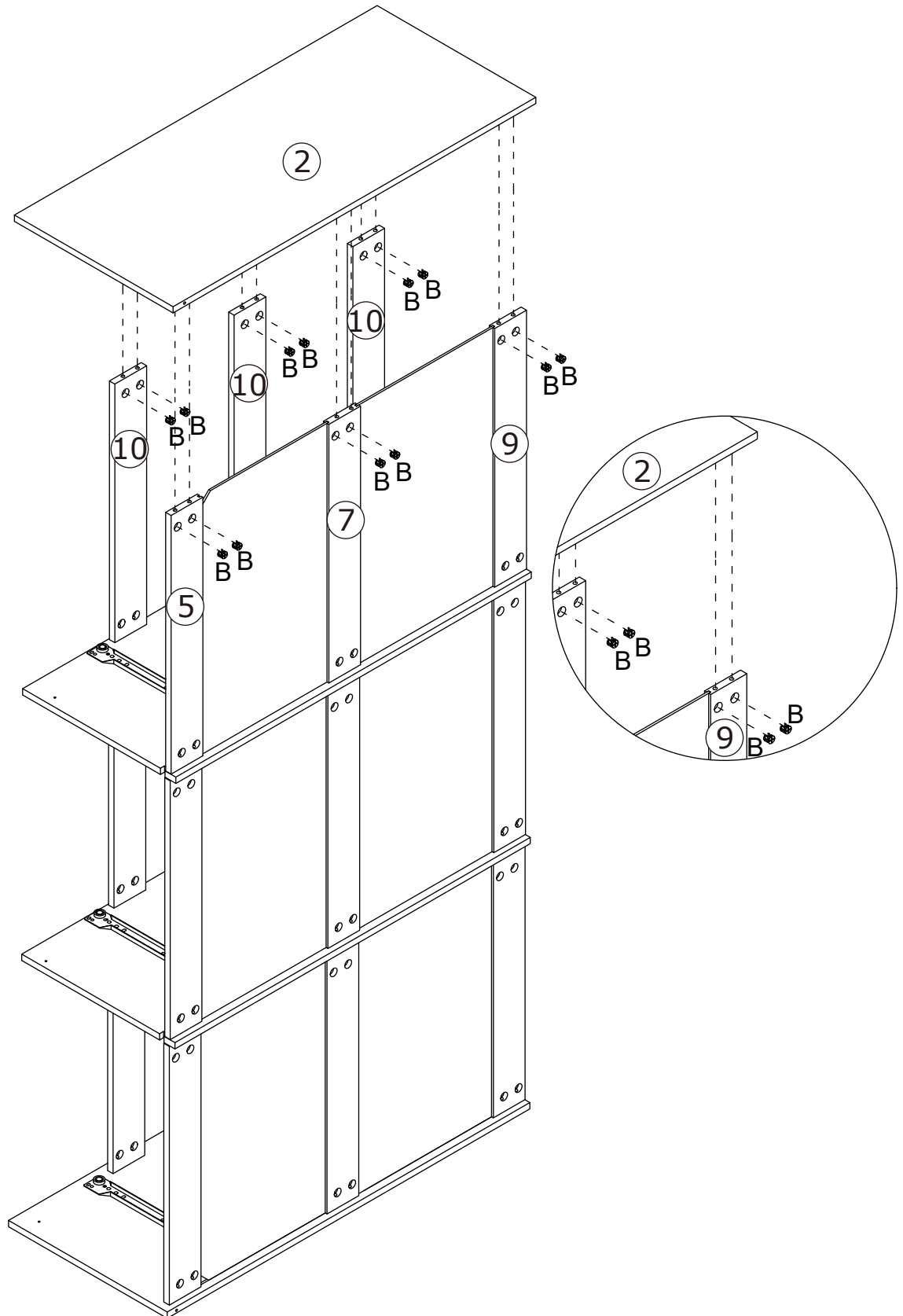
10

B  x12









14

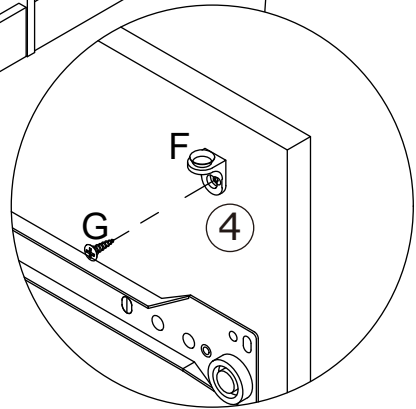
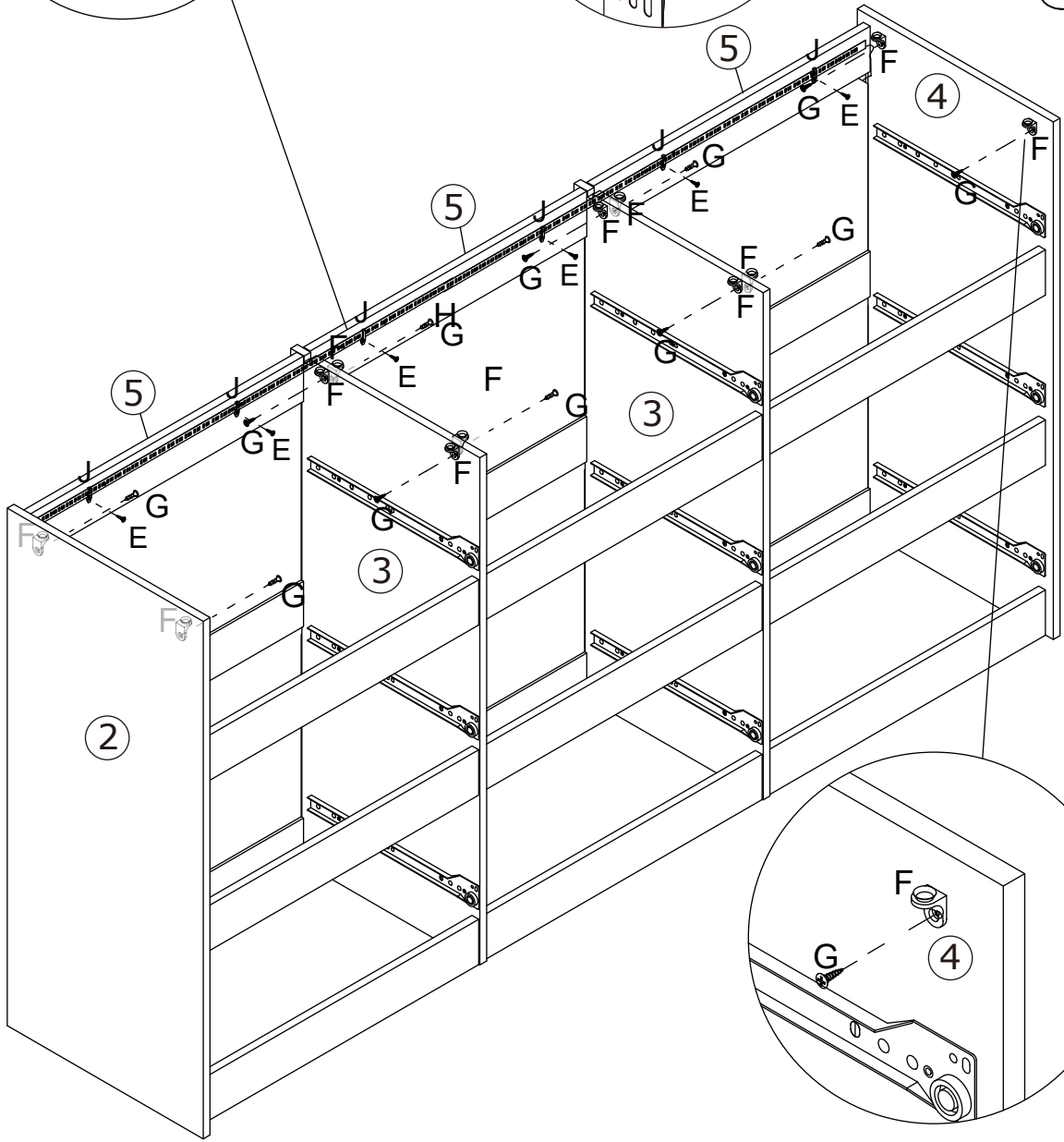
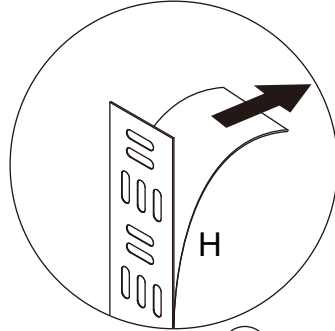
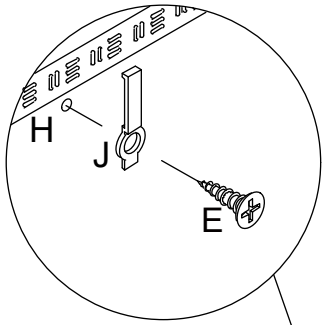
E  x6

F  x12

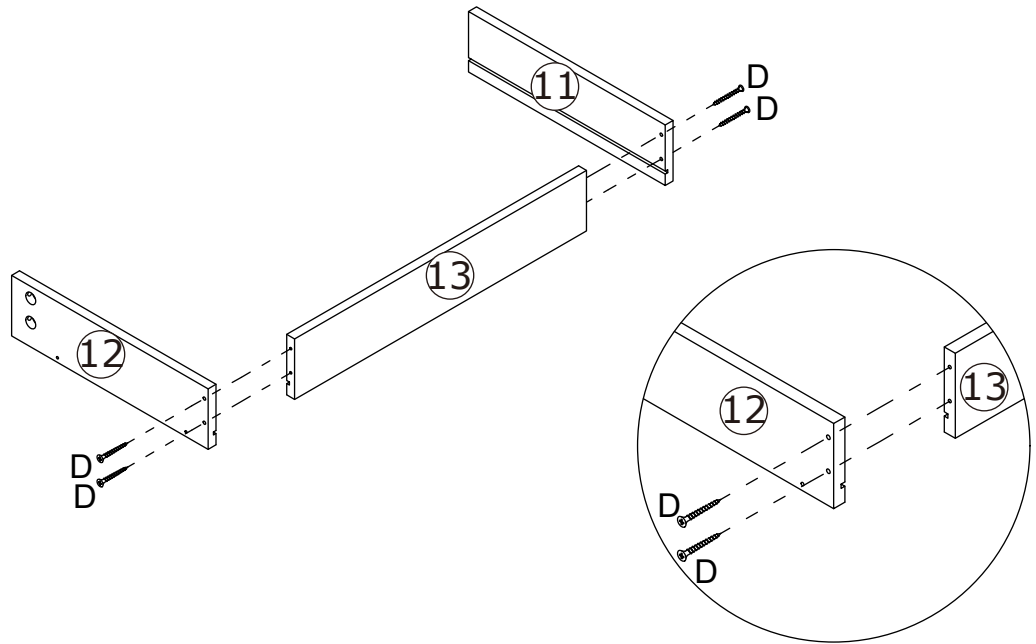
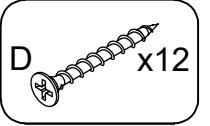
G  x12

H  x1

J  x6

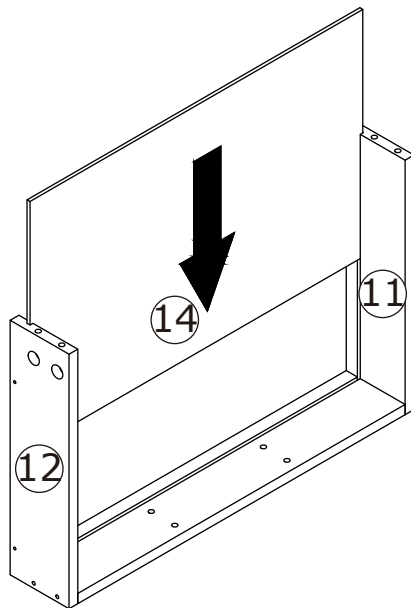


15

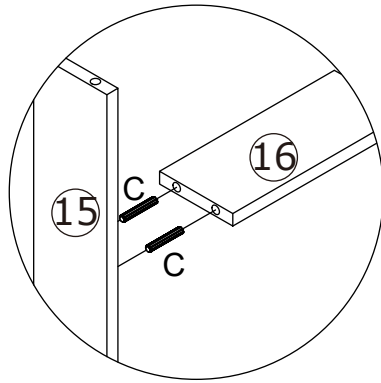
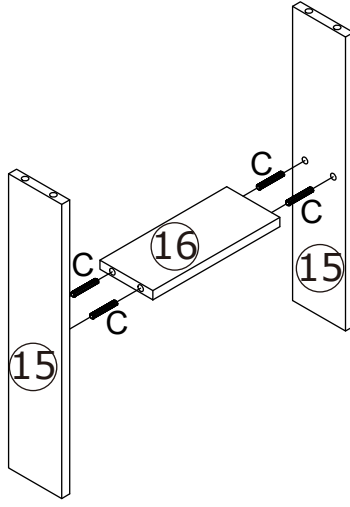
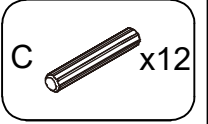


x3

16

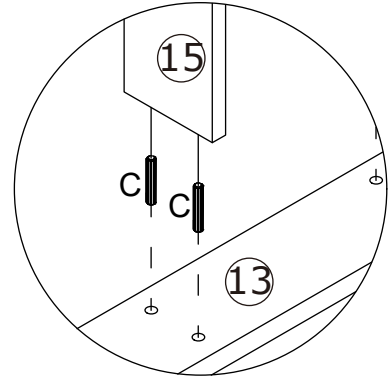
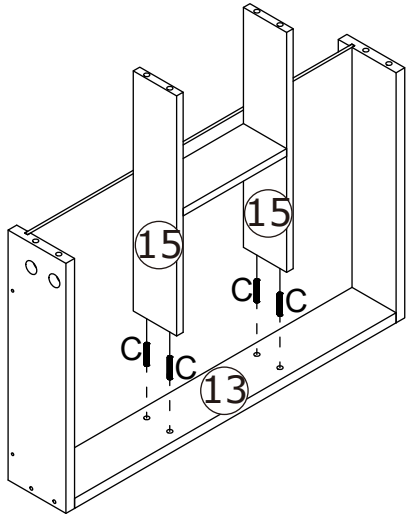
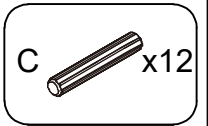


17



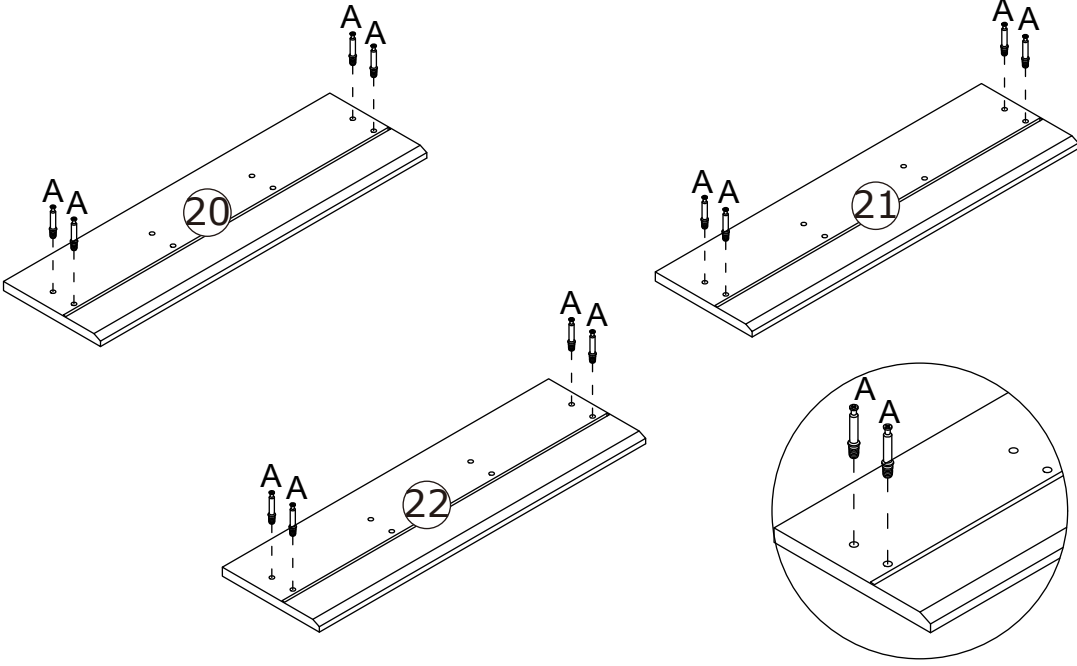
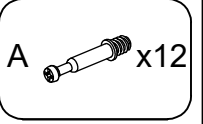
x3

18

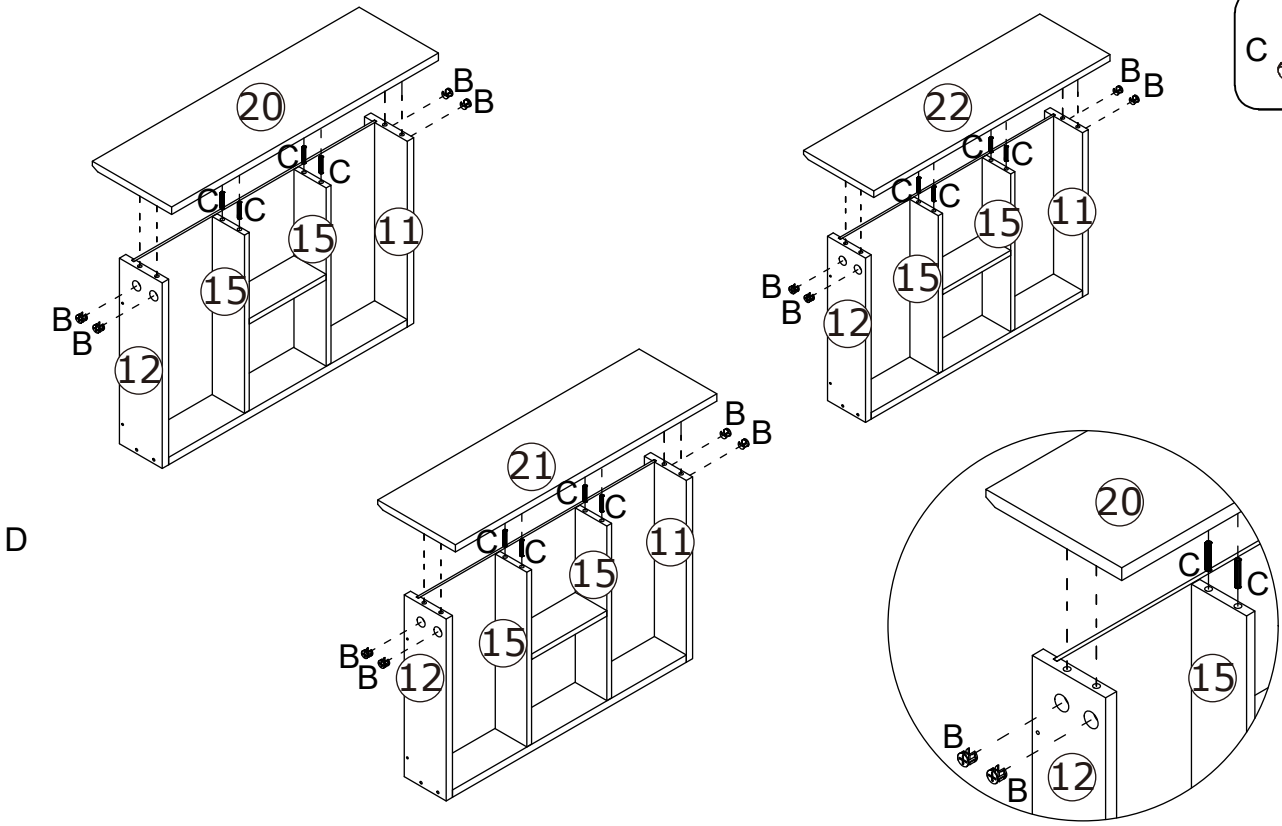
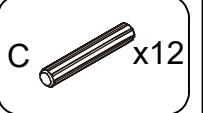
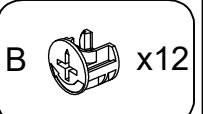


x3


19

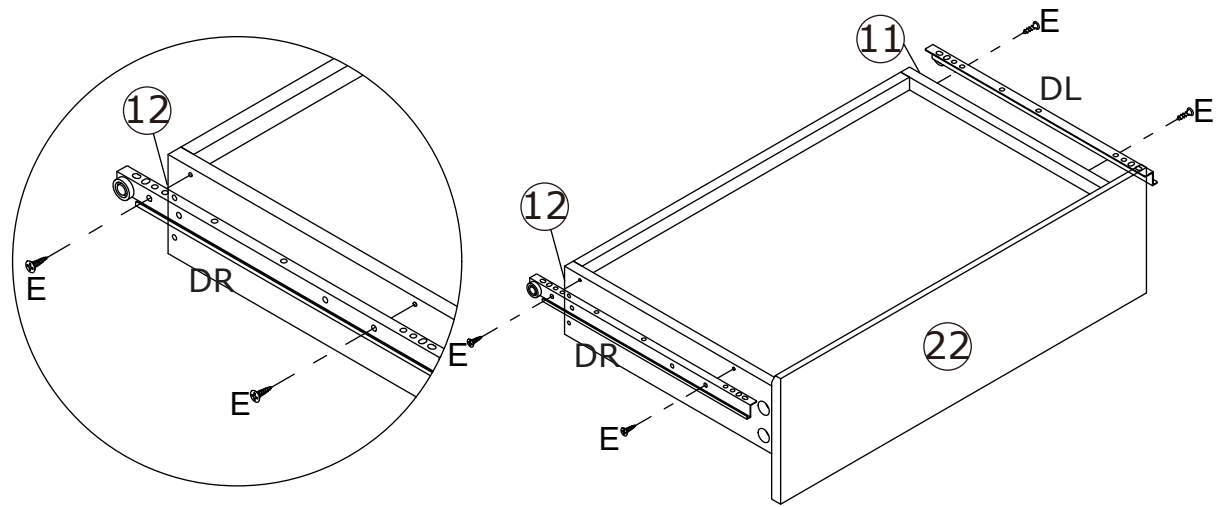
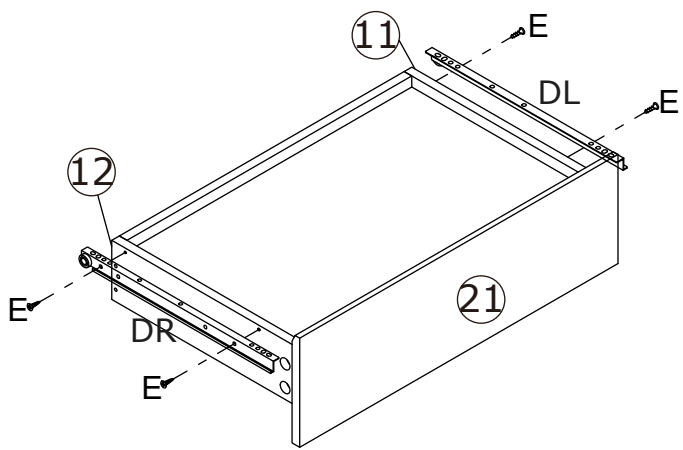
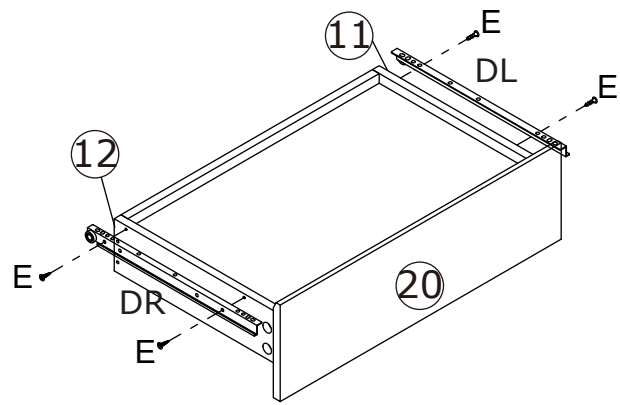
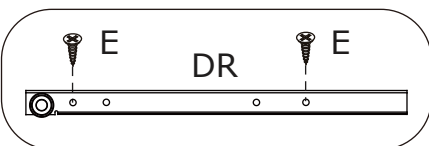
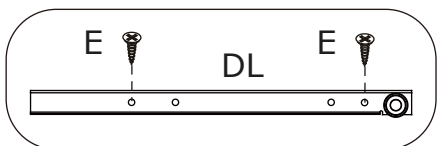


20

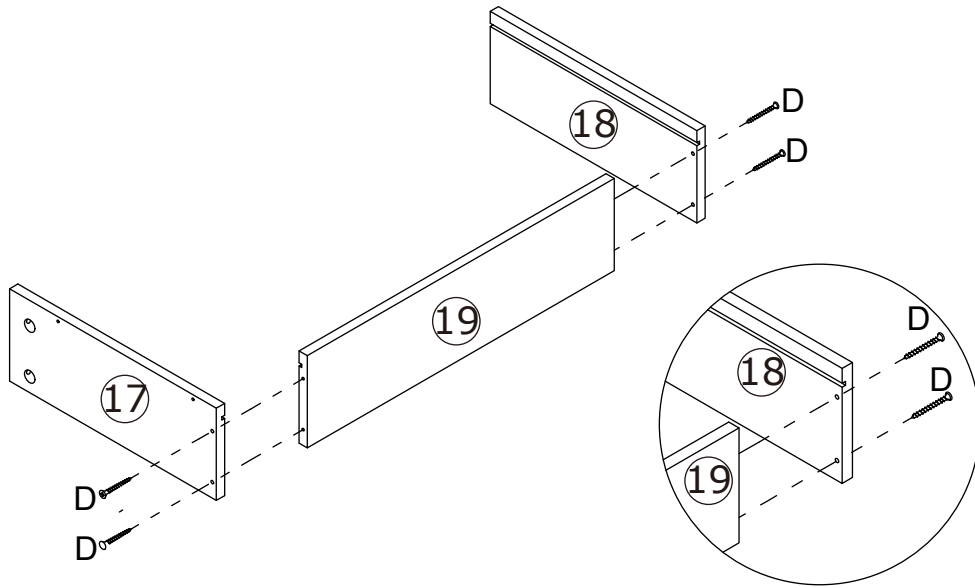
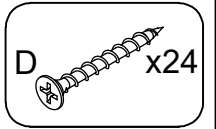


21

E  x12

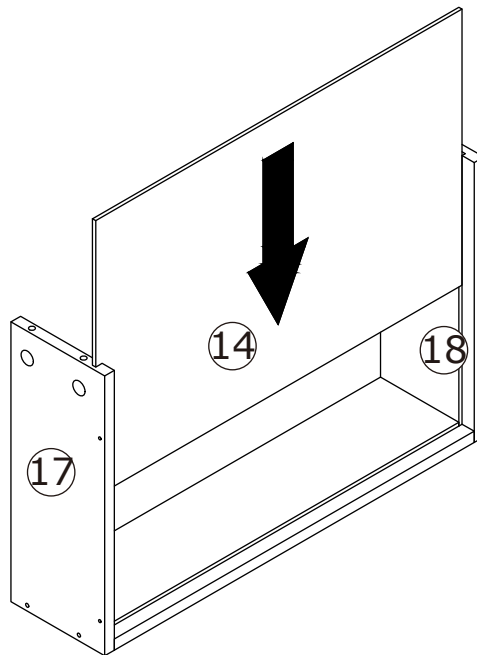


22



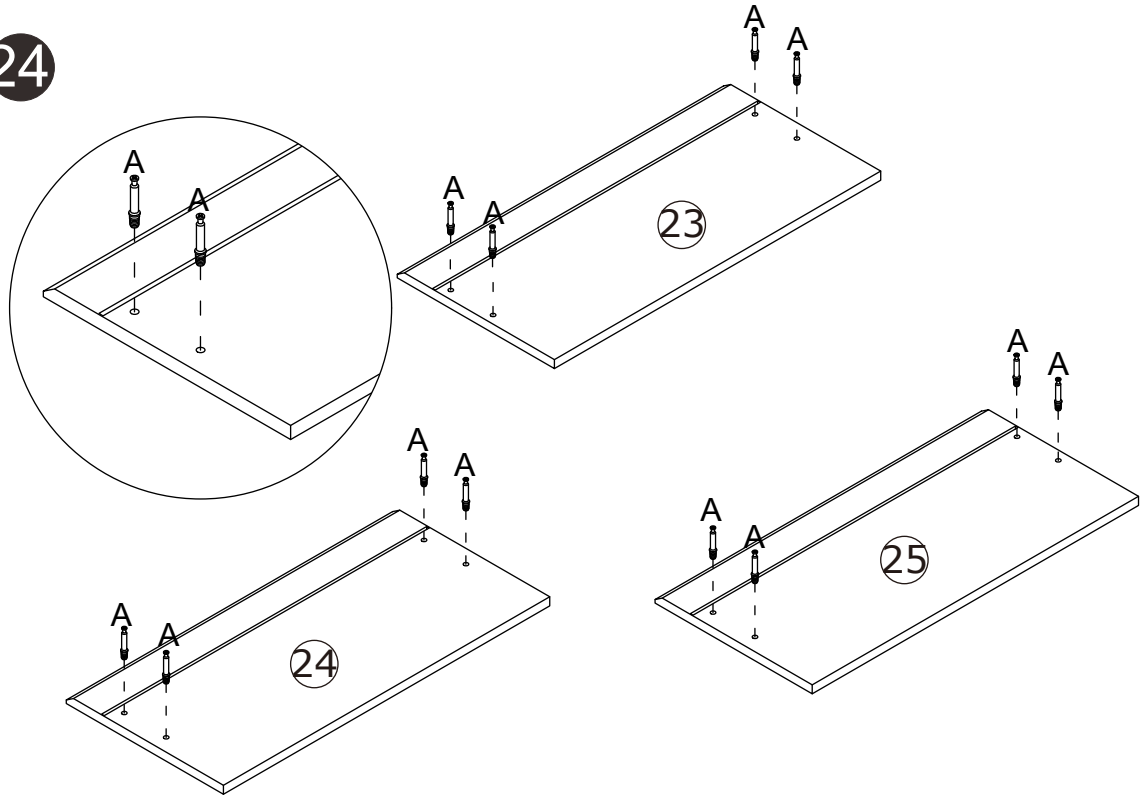
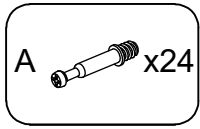
x6

23



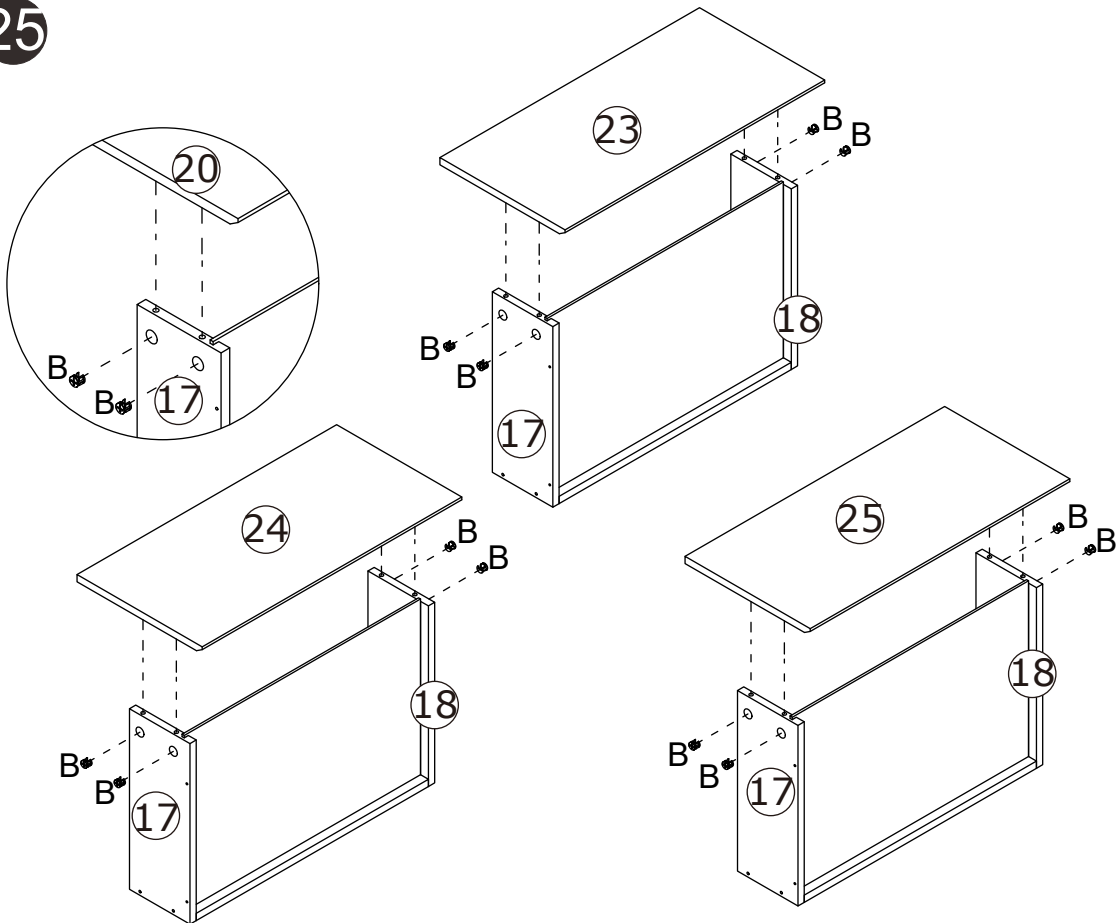
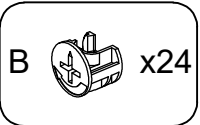
x6

24



x2

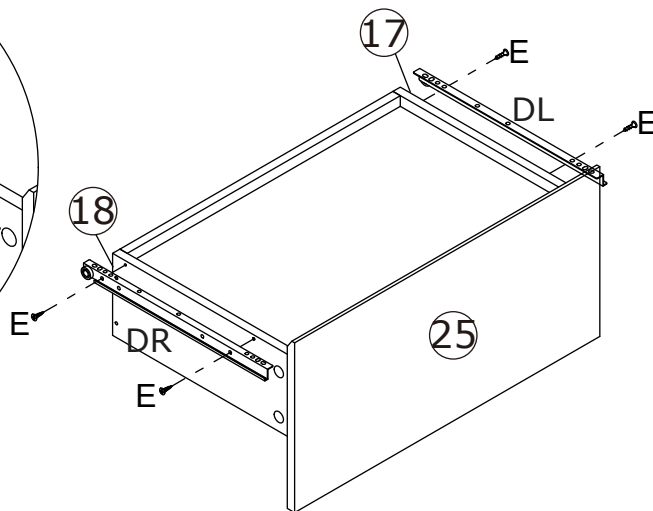
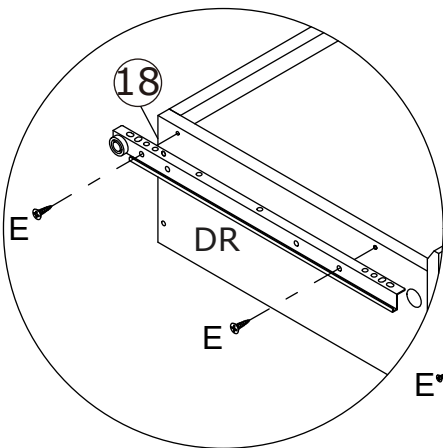
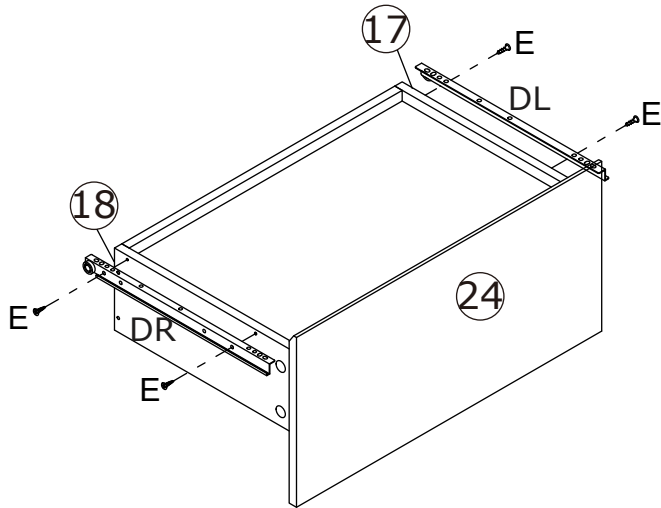
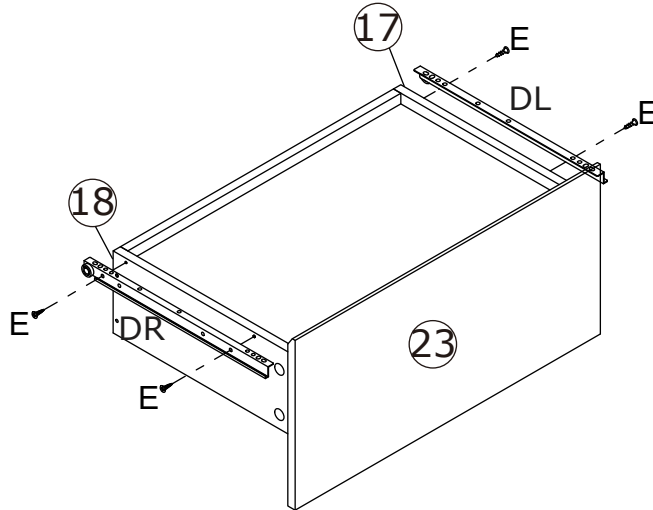
25



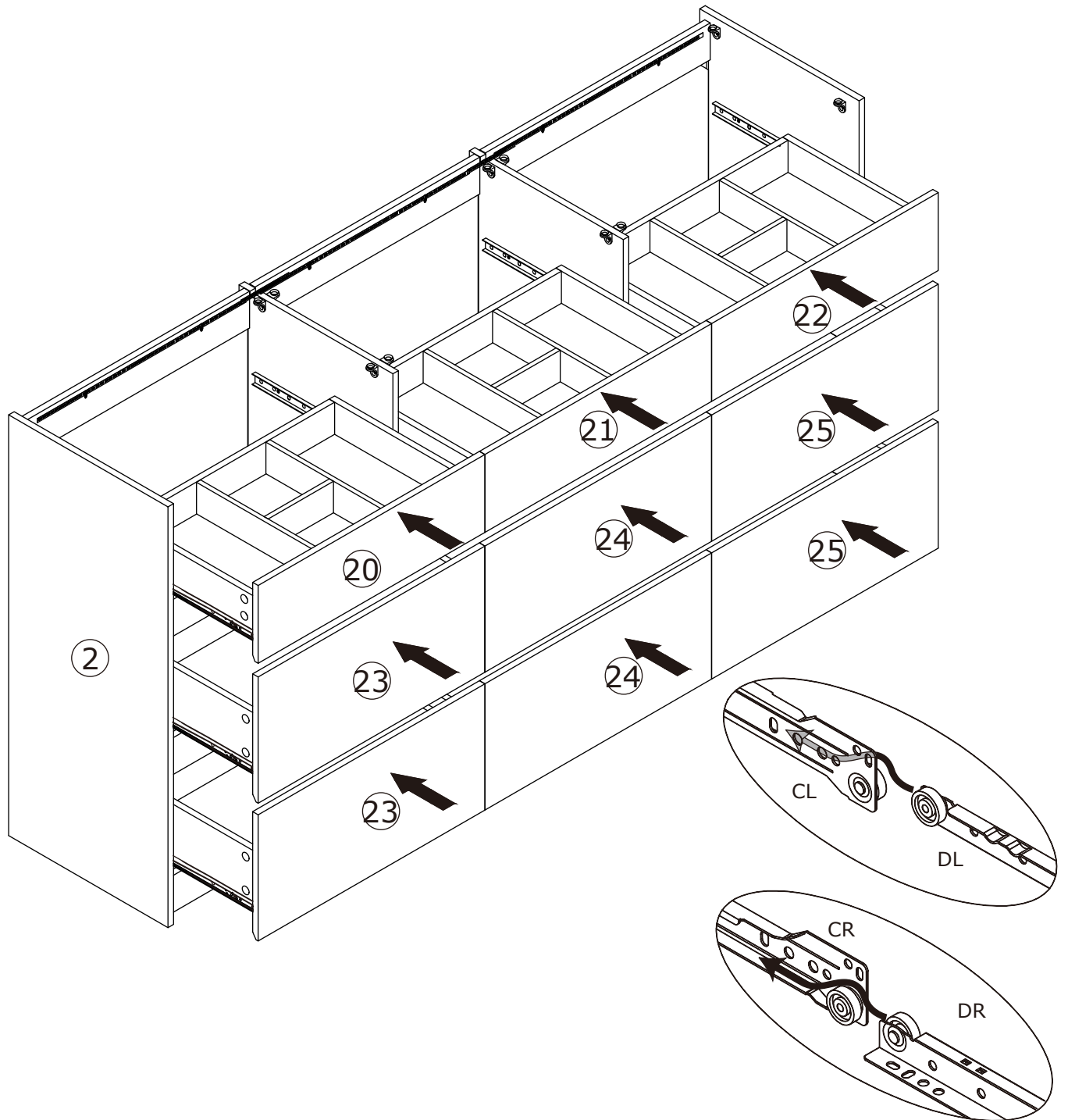
x2

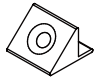


26

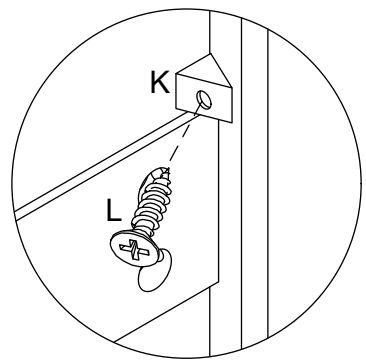
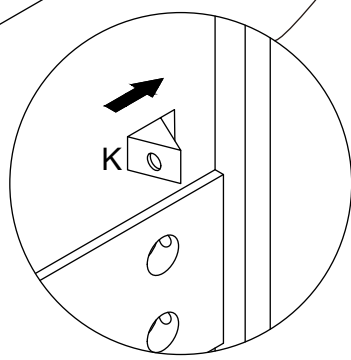
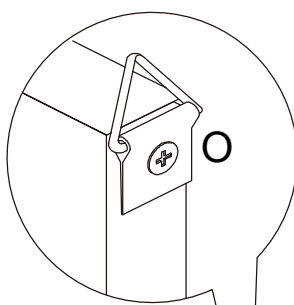
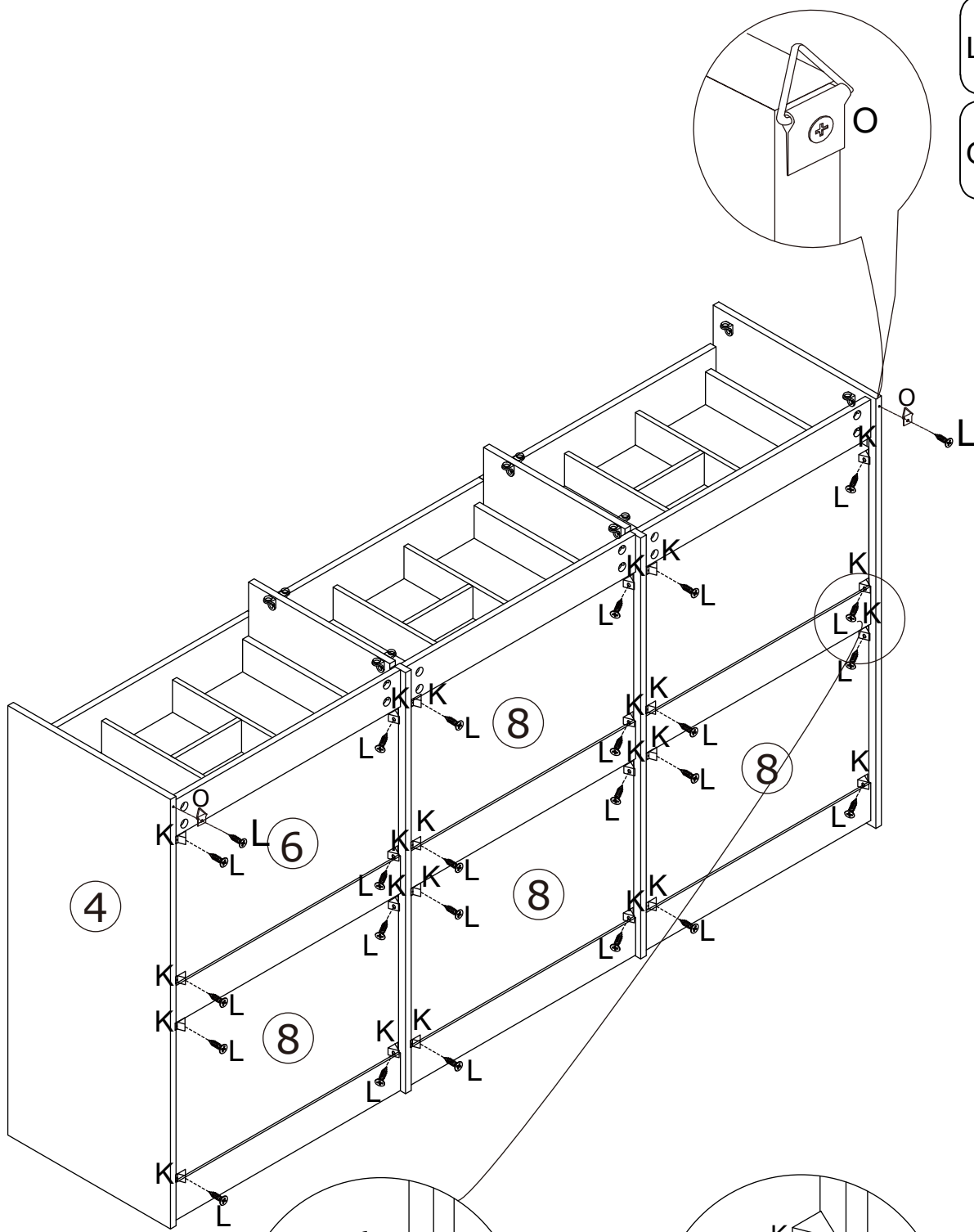
E  x24

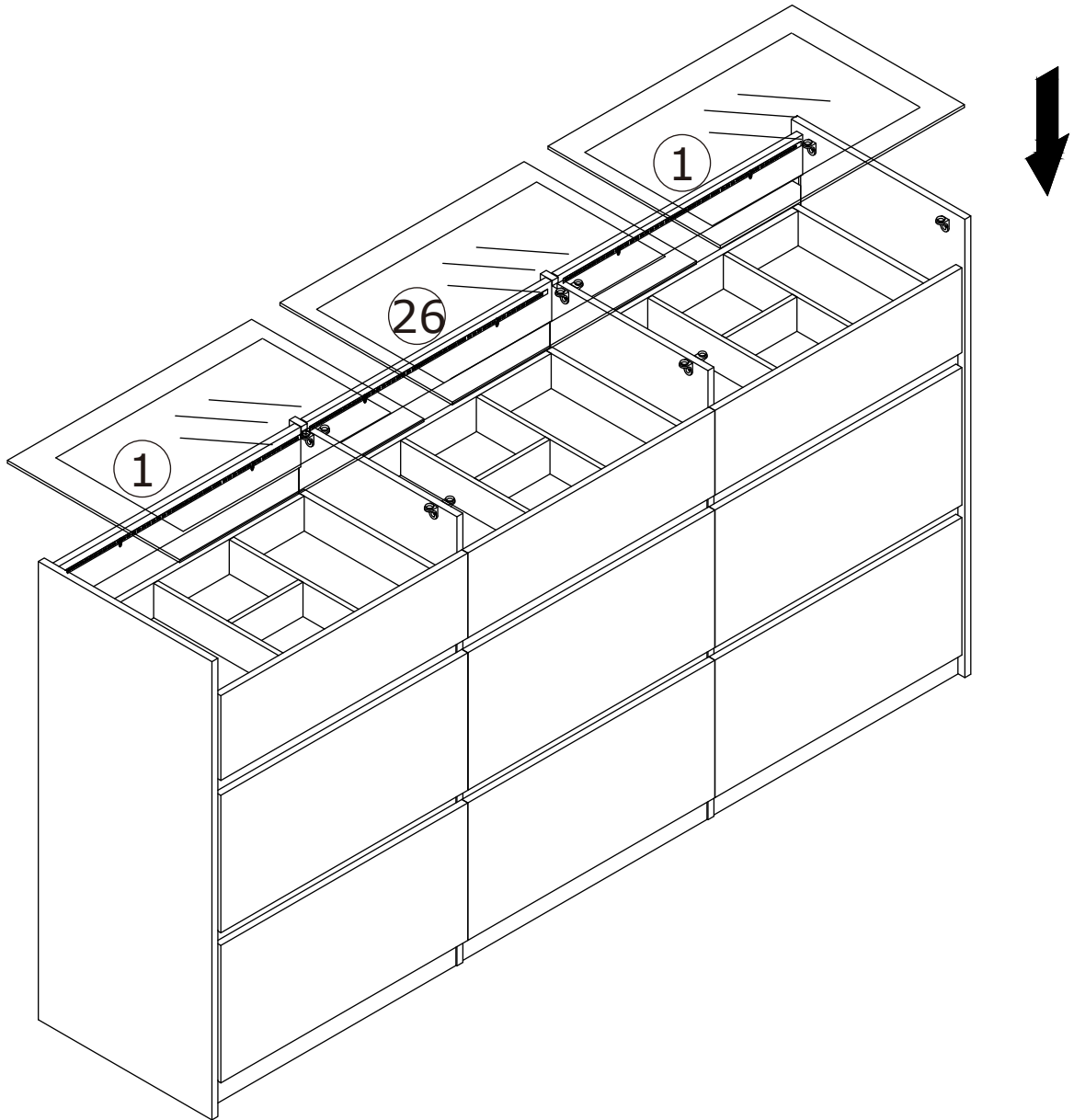


x2

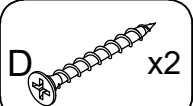
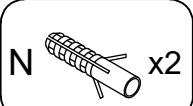
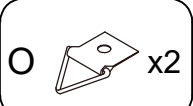
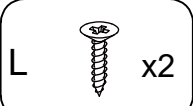
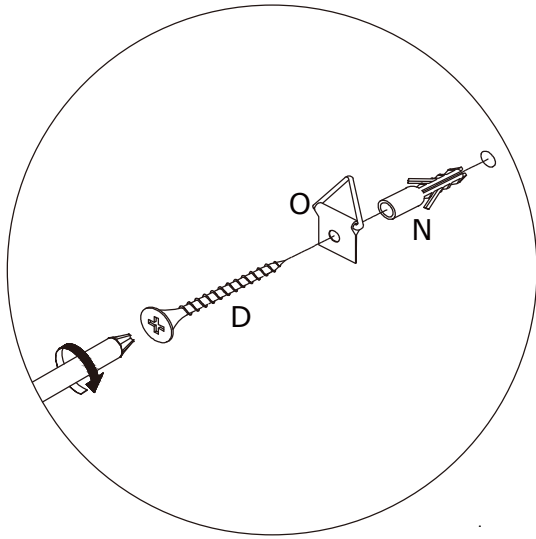


- K  x24
- L  x26
- O  x2

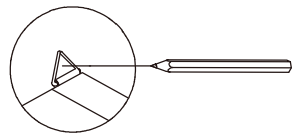
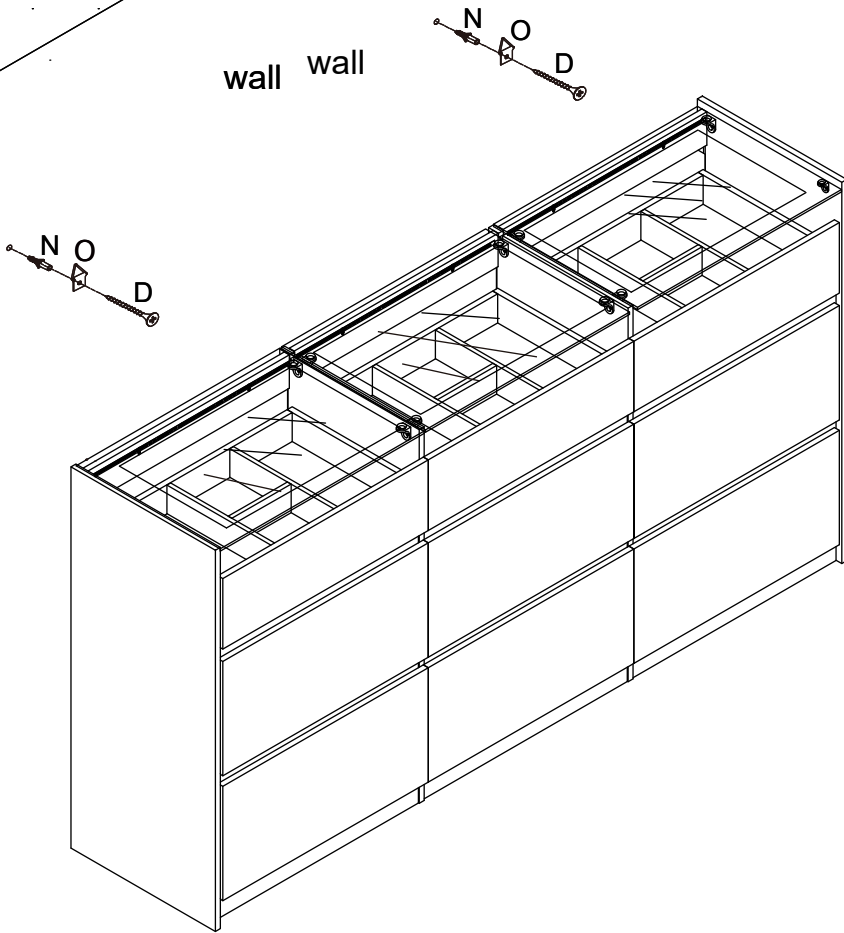




29

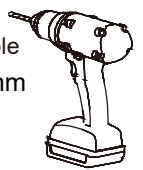


wall wall

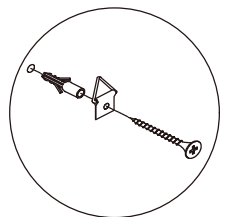
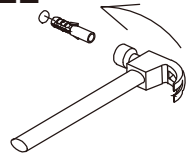


WALL

drilling hole
Ø6x30mm



WALL



30

P  x2

