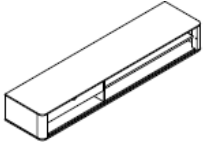
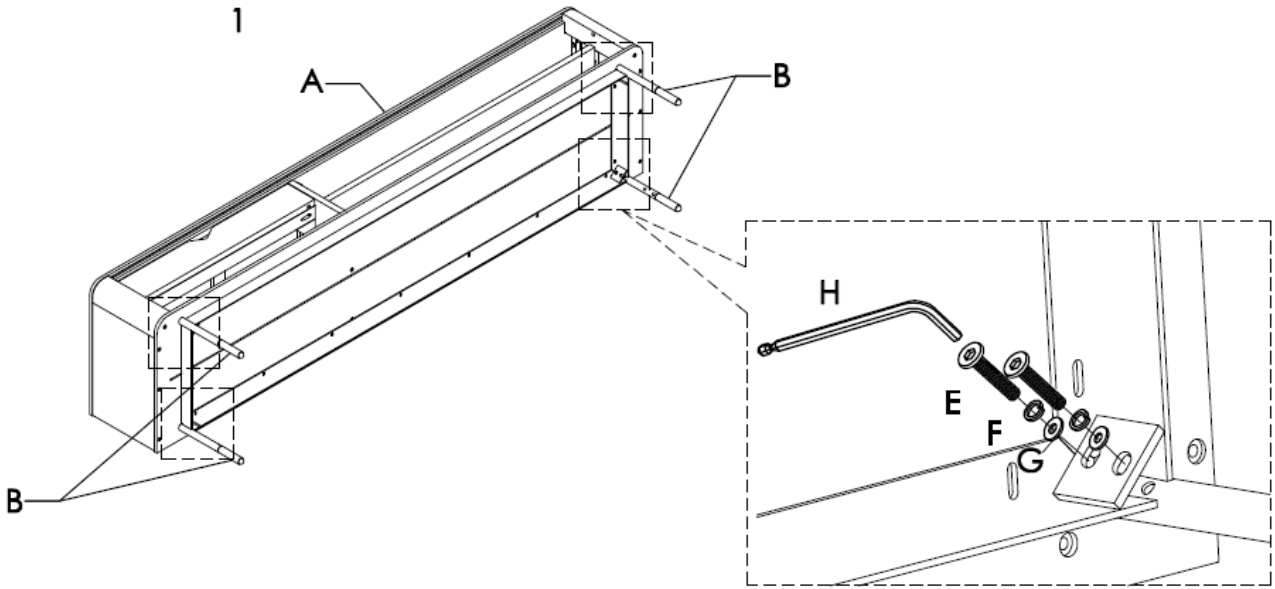
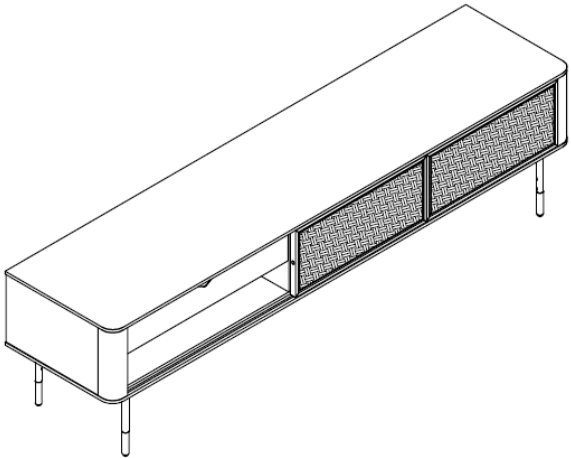
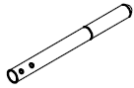


PLEASE NOTE: Check that you have received all components and hardware before assembling.

Assembly Instructions Media Stand



A (1 pc)



B (4 pcs)



C (1 pc)
Door (L)



D (1 pc)
Door (R)



E (8 pcs)
M6 x 30mm



F (8 pcs)
M6

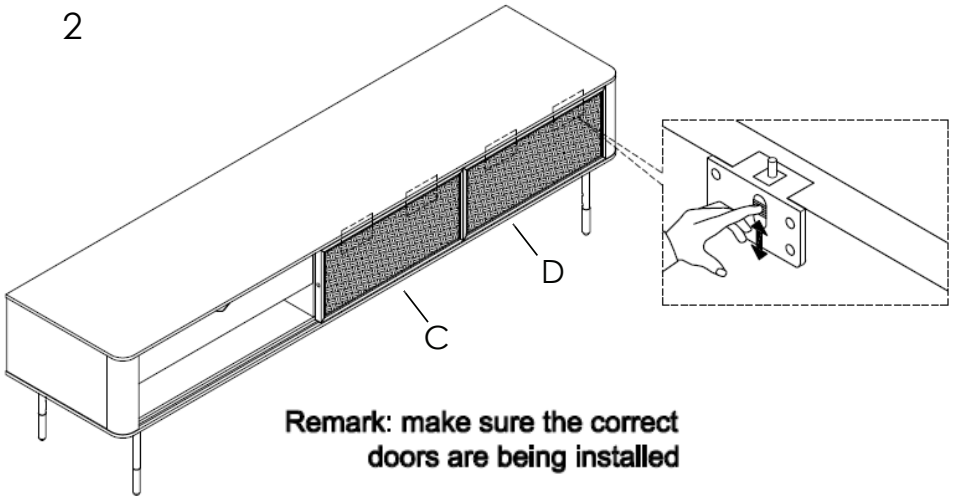


G (8 pcs)
M6x17x2



H (1 pc)
4mm

2



Remark: make sure the correct doors are being installed

During assembly, hand tighten screws only. When the screws are in place, tighten completely.