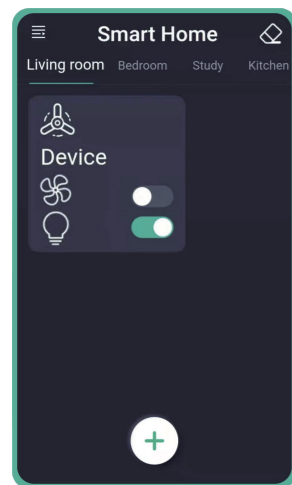
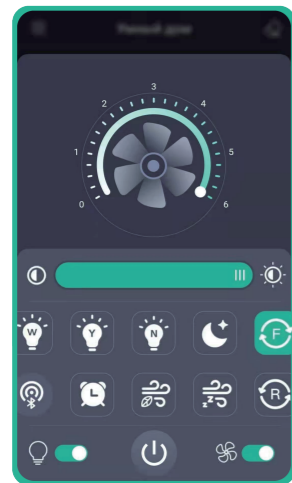


APP CONTROL INSTRUCTIONS



Install the "FanLamp Pro" app from Google Play, Apple App Store, or other app stores by scanning the QR code or searching for the app name. Ensure that your phone is connected to the internet and Bluetooth enabled.

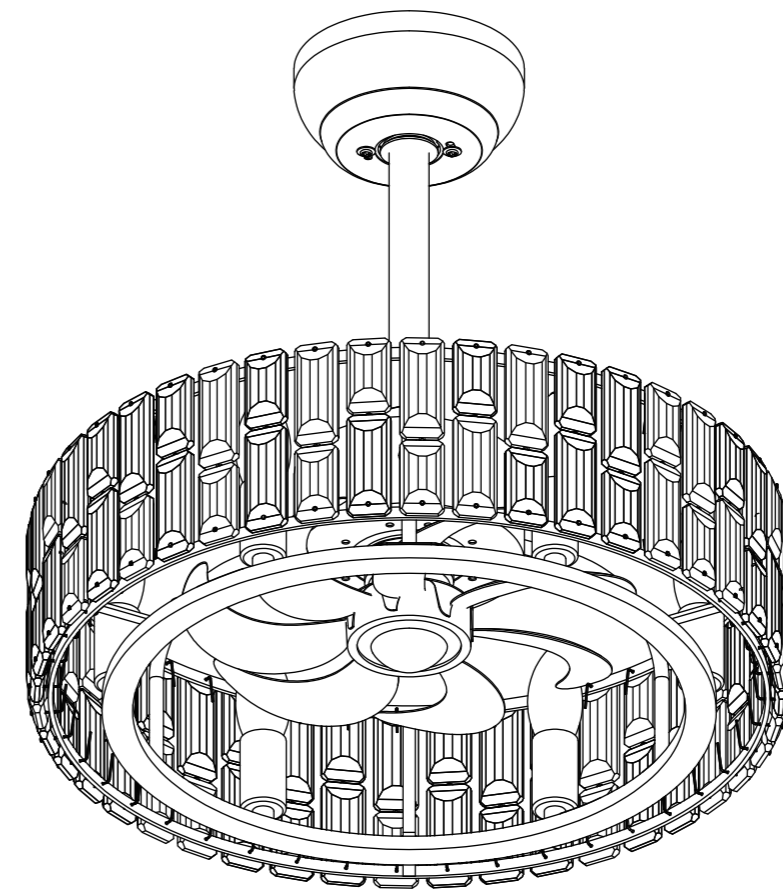


- Pairing: Click the pair button within 5 seconds after turning on the fan from the wall switch. Once the fan flashes or beeps, it has been successfully paired with your phone and can now be controlled through the app.
- Slide the slider to change the fan speed.
- Slide the slider to change the brightness of the light.
- Quick switch for "White" light color. (Not supported)
- Quick switch for "Yellow" light color. (Not supported)
- Quick switch for "Natural" light color. (Not supported)
- Night mode: Dim the lights. (Not supported)
- Fan moves forward.
- Fan moves reversely.
- Change the direction of the wind. (Not supported)
- Timing the fan.
- Natural wind: The fan speed will change automatically when you use this function.
- Sleeping wind. (Not supported)
- Turn on/off the light.
- Turn on/off the fan.
- Unpairing: Click the unpair button within 5 seconds after turning on the fan. Once the fan flashes or beeps, it has been successfully unpaired from your phone.

INSTALLATION MANUAL

CEILING FAN WITH LIGHTS

Model No.: CFL-1152-01



Scan for Installation Video

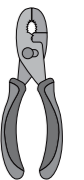


APP Control Applicable

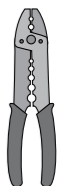
TOOLS REQUIRED



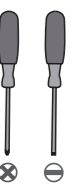
Ladder



Pliers

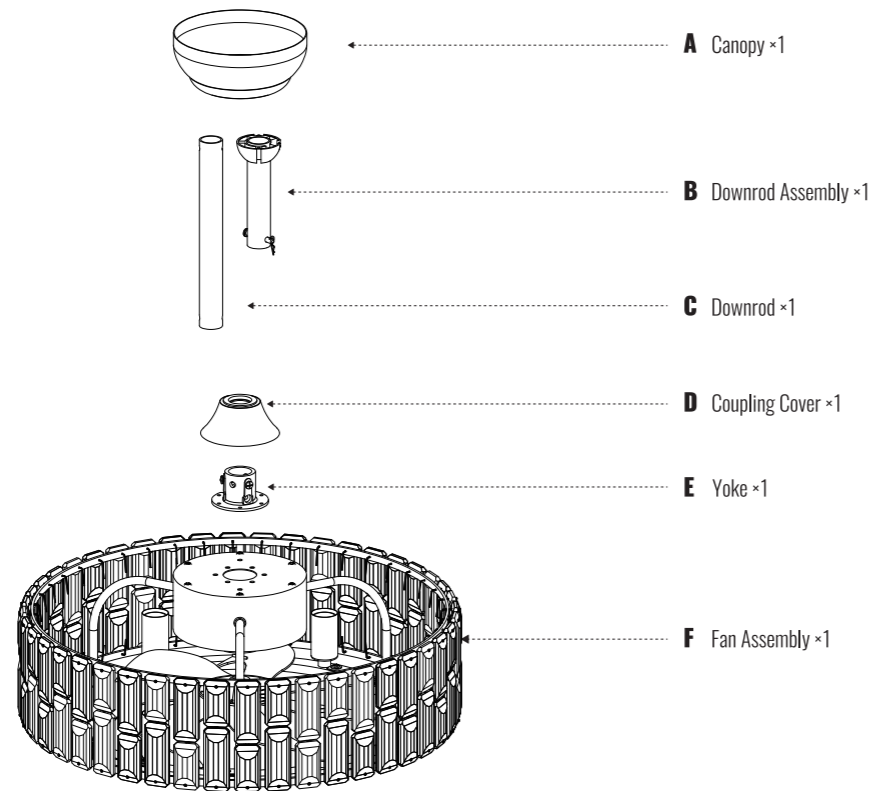


Wire Strippers




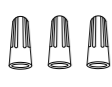
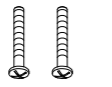



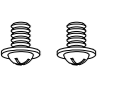

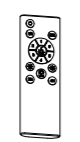
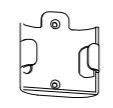



Screwdrivers

1. PACKING LIST



NOTE:
Some parts may be assembled together in the package.

2. INSTALLATION KIT

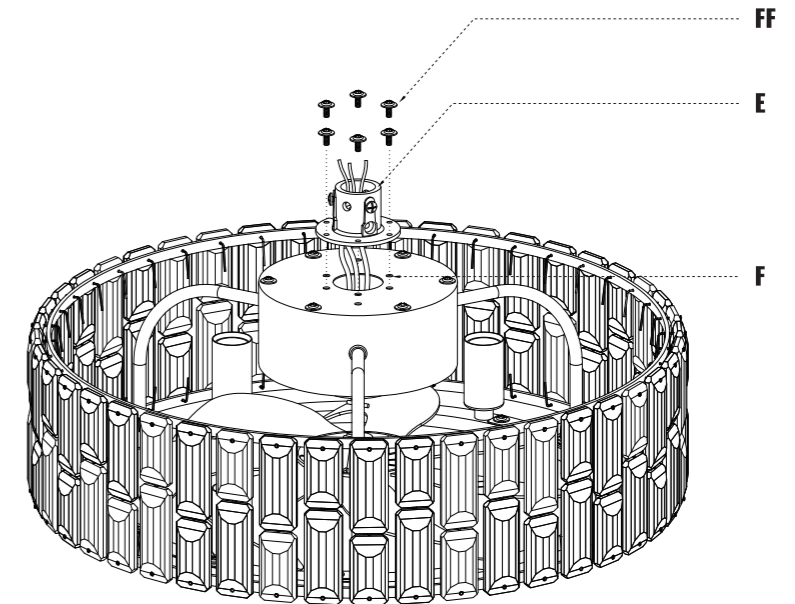
AA 1×  Mounting Bracket	BB 3×  Wire Nut	CC 2×  Outlet Box Screw	DD 1×  Clevis Pin	EE 1×  "R" Pin	FF 8×  Set Screw	
GG 2×  Canopy Screw	HH 2×  Wood Screw	II 1×  Remote Control	JJ 1×  Remote Holder	KK 1×  Gloves	LL 2×  Flat Washer	MM 2×  Remote Holder Anchor

NOTE:
1. The listed quantity is for installation, extra hardware may be included.
2. The crystals are fragile and spare parts are included.
3. Clevis pin (DD) and "R" pin (EE) are pre-installed on downrod assembly (B).
4. Canopy screw (GG) is pre-installed on mounting bracket (AA).

3. INSTALLATION

ASSEMBLE THE FAN

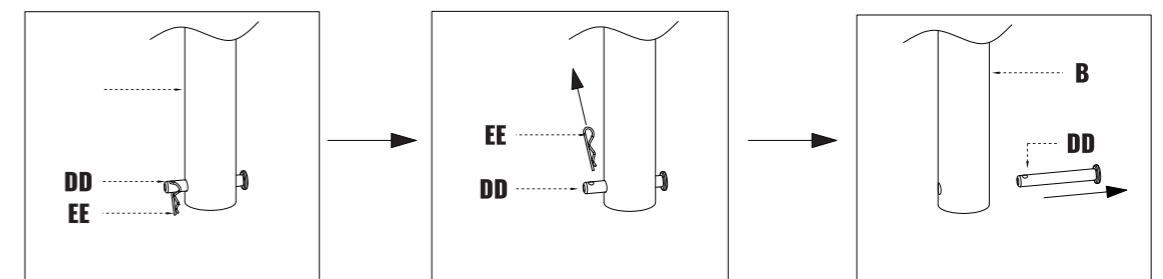
Fig. 1



1. Attach the Yoke (E)

Step 1: Thread the power cord of fan assembly (F) through yoke (E).
Step 2: As shown in Fig. 1, align the holes on yoke (E) and fan assembly (F), and then secure with set screws (FF).

Fig. 2



2. Disassemble the Downrod Assembly (B)

Step 1: Pull "R" pin (EE) out from clevis pin (DD).
Step 2: Pull clevis pin (DD) out from downrod assembly (B).

Fig. 3

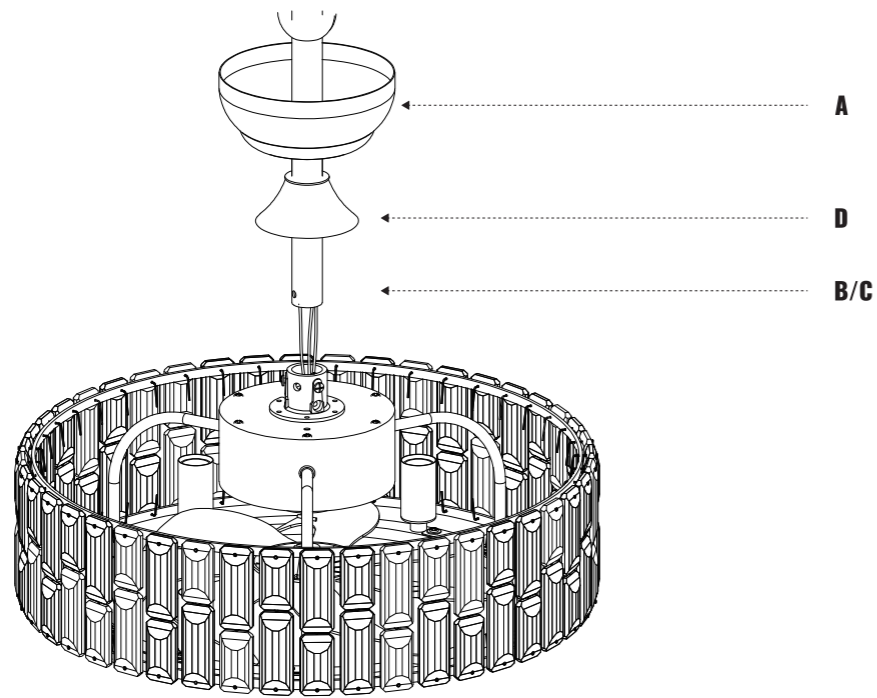


Fig. 4

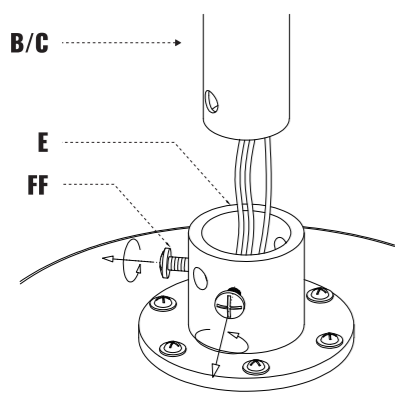


Fig. 5

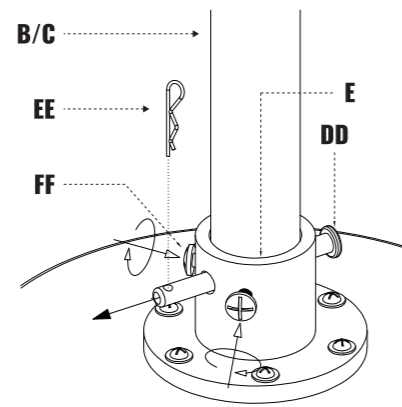
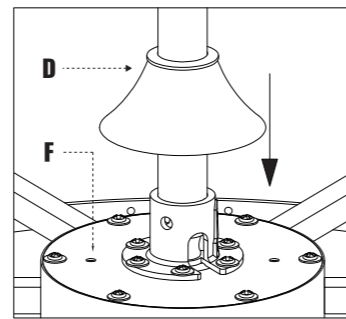


Fig. 6



3. Install the Downrod (B/C)

- Step 1: As shown in Fig. 3, downrod (B/C) passes through canopy (A) and coupling cover (D).
- Step 2: As shown in Fig. 3, thread the power cord through downrod (B/C).
- Step 3: As shown in Fig. 4, loosen the set screw (FF) on yoke (E) (do not remove), insert downrod (B/C) into yoke (E), and align the holes of downrod (B/C) with those of yoke (E).
- Step 4: As shown in Fig. 5, pass clevis pin (DD) through the holes of downrod (B/C) and yoke (E), insert "R" pin (EE) into the hole of clevis pin (DD), and tighten set screws (FF).
- Step 5: As shown in Fig. 6, fit coupling cover (D) onto fan assembly (F).

MOUNT THE BRACKET

Fig. 7

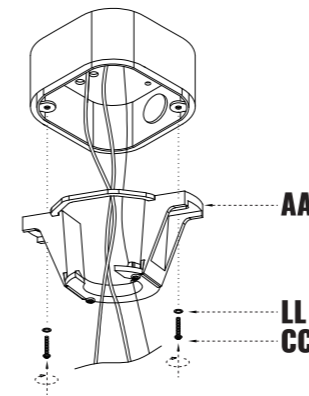
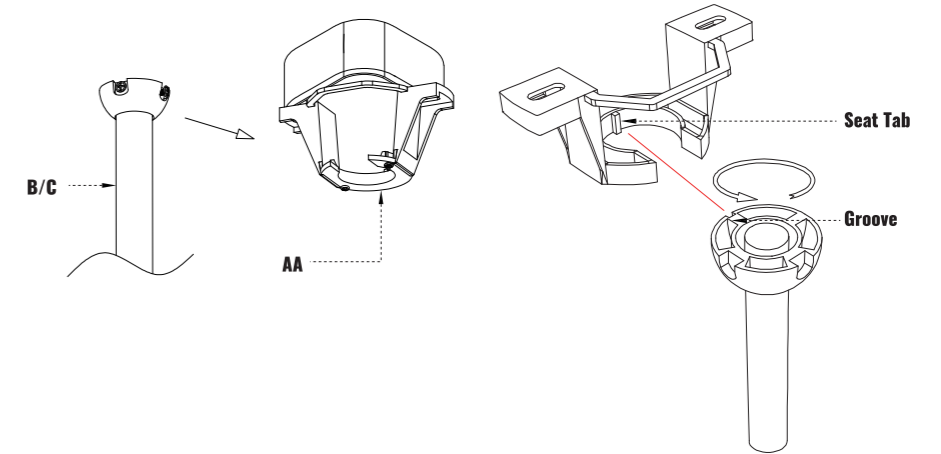


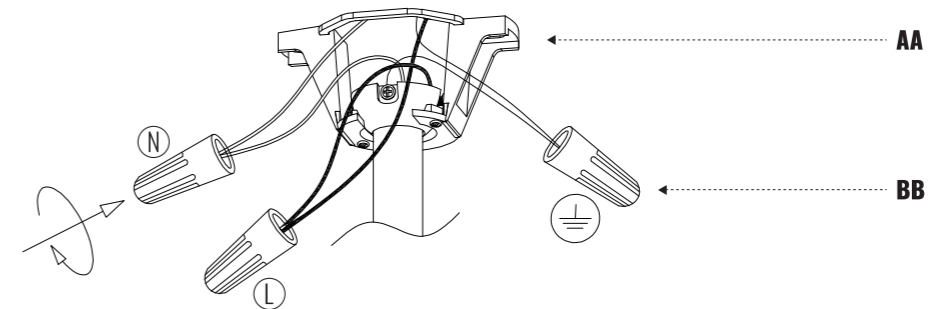
Fig. 8



- Step 1: As shown in Fig. 7, pass the power wires through the center hole in the mounting bracket (AA).
- Step 2: Fix the mounting bracket (AA) to the ceiling outlet box using outlet box screws (CC) and flat washers (LL).
- Step 3: As shown in Fig. 8, hang the downrod (B/C) of the installed fan onto the mounting bracket (AA).
- Step 4: Rotate the downrod until the tab in the mounting bracket is seated in the fixation slot in the downrod ball.

CONNECT THE WIRES

Fig. 9



- Step 1: Connect the wires from the fan to the house supply wires with wire nuts (BB), ground wire (green, green/yellow, or bare copper) to ground wire, neutral wire (white) to neutral wire, and hot wire (black) to hot wire. Wrap the connection with electrical tape.
- Step 2: Spread apart the wires so that the hot wires are on one side of the outlet box and the neutral wires are on the other side.

NOTE:

This fan only needs one set of input wires (black, white, and ground wire). Both of the fan and lights will be controlled by the remote controller. This fan can only be connected to an on/off switch if you have one, not a dimmer switch.

INSTALL THE CANOPY

Fig. 10

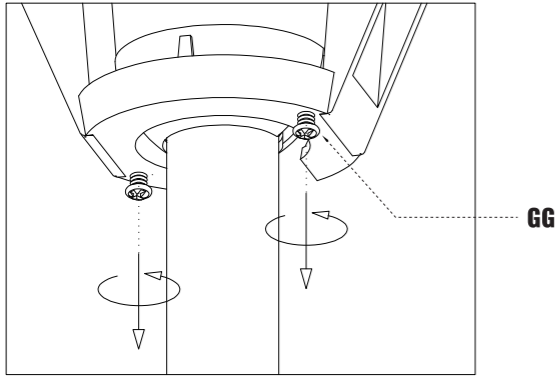


Fig. 11

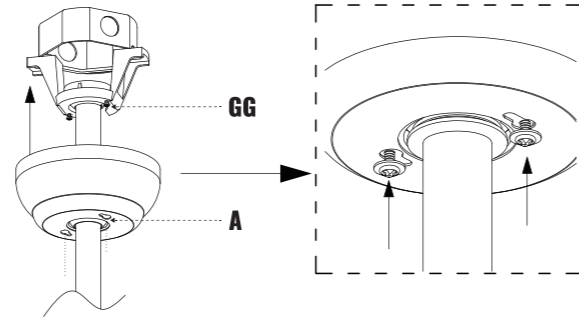


Fig. 12

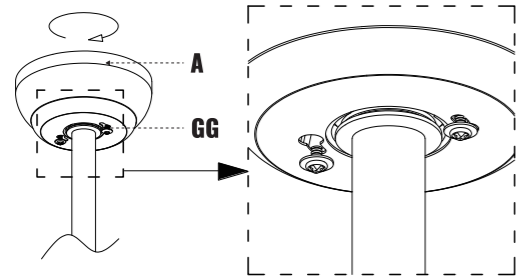
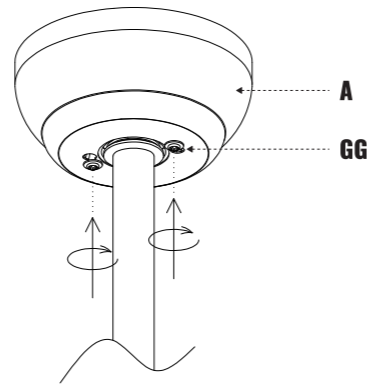


Fig. 13



Step 1: As shown in Fig. 10, loosen canopy screw (GG) from mounting bracket (AA), but do not take off.

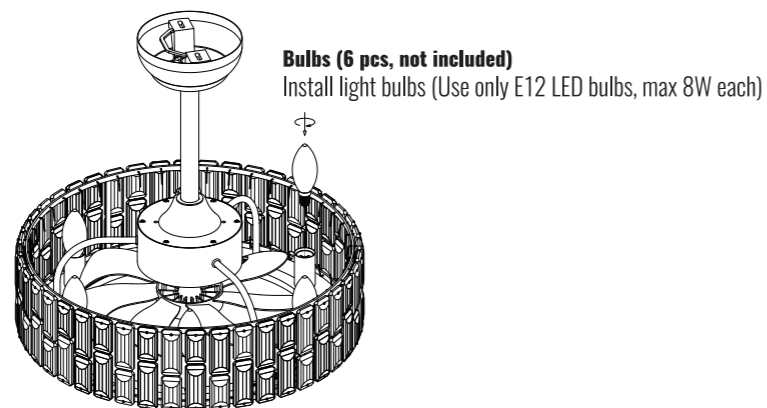
Step 2: As shown in Fig. 11, push canopy (A) upwards, allowing canopy screw (GG) to pass through the hole in canopy (A).

Step 3: As shown in Fig. 12, rotate canopy (A) clockwise so that it is caught by canopy screw (GG) and does not fall down.

Step 4: As shown in Fig. 13, tighten canopy screw (GG) to secure canopy (A).

INSTALL THE LIGHTS

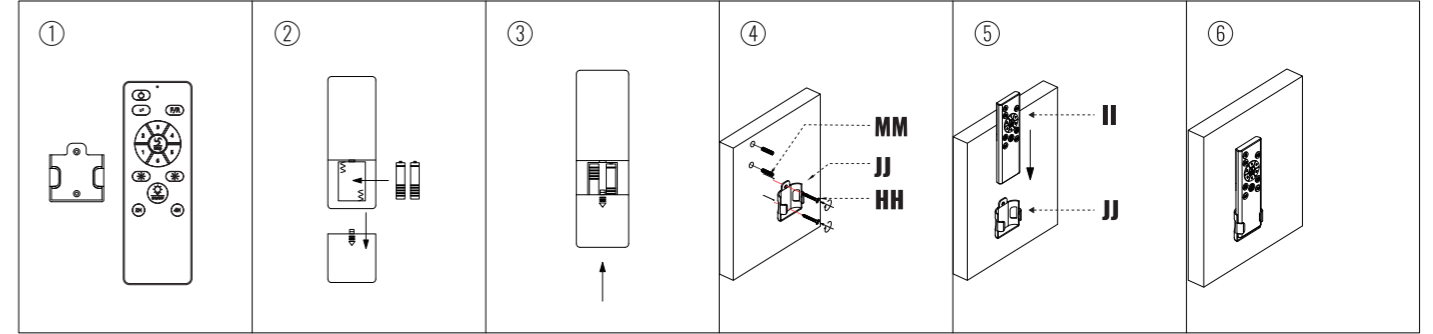
Fig. 14



Note:

1. Dimming requires dimmable LED bulbs, max 8W per bulb.
2. For bulbs with color temperature control, repeatedly switch "on" and "off" using the wall switch or the remote's "light ON/OFF" button (button 14) to change settings.

INSTALL THE REMOTE HOLDER



1. Insert 2 batteries before using: AAA 1.5V battery x 2pcs (not included).
2. Mark and drill screw holes in the wall, then insert the remote holder anchors (MM).
3. Use short wood screws (HH) to fix the remote holder (JJ) onto the wall.

REMOTE CONTROL INSTRUCTIONS

NOTE:

Please insert 2 batteries before using: AAA 1.5V battery x 2pcs (not included).

- 1 Turn off the fan and lights.
- 2 Natural wind of the fan, fan speed will change automatically when use this function.
- 3 4 8 9 11 12 1/2/3/4/5/6 for fan speeds.
- 5 13 Press +/- to change the brightness of the light.
- 6 15 2H/4H for timing the fan.
- 7 "F" refers forward fan direction, "R" refers reverse the fan.
- 10 Turn off the fan.
- 14 Turn on/off the lights.

REMOTE SIGNAL PAIRING: If the remote control loses signal with the fan, turn off the power from the wall switch, then turn it back on, immediately press button 14 for around 3 seconds. After the fixture beeps or flashes, the reconnection is complete.

