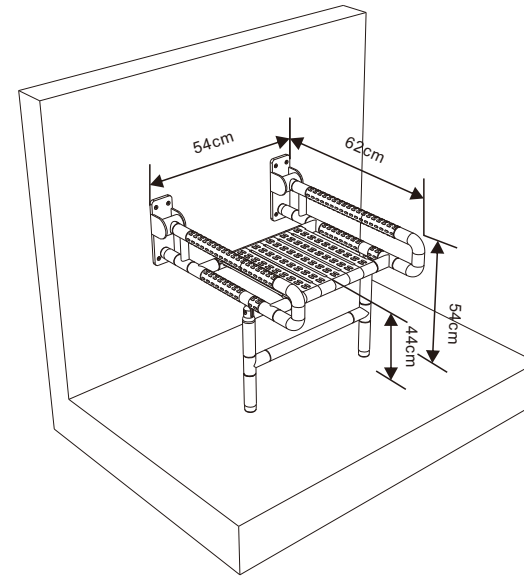
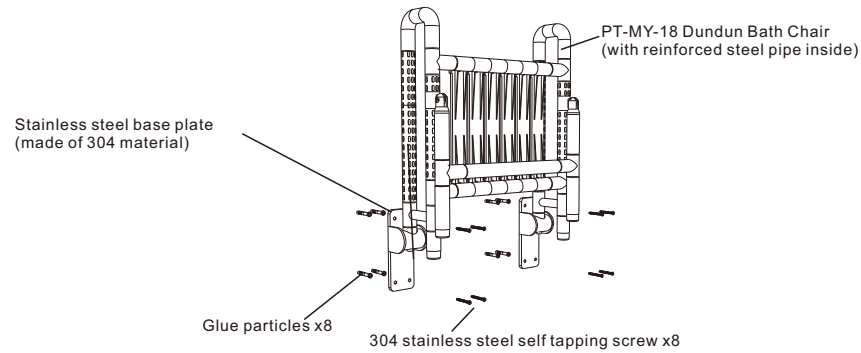


PT-MY-18 Dundun Bath Chair Installation Instructions

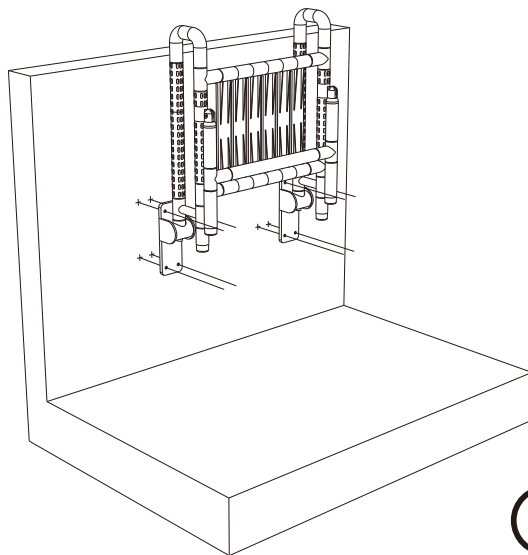
Please read all instructions before installation.

1. Choose a good installation location, avoid water pipes and wires, preferably a solid wall, Measure the dimensions to be installed as shown in the figure on the right.

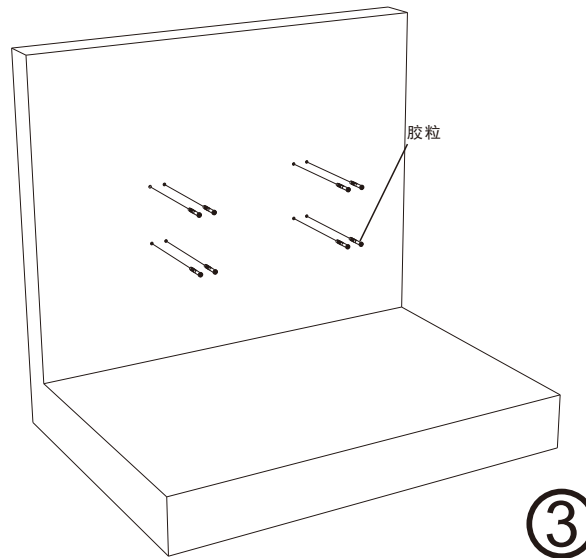


①

2. Drill holes in the corresponding holes on the wall, and be careful not to damage the ceramic tiles.



3. Insert the adhesive particles of the self tapping screw into the hole, and cut off the excess with a utility knife.



4. Align the holes and install screws, and finally check if the armrest is properly installed.

