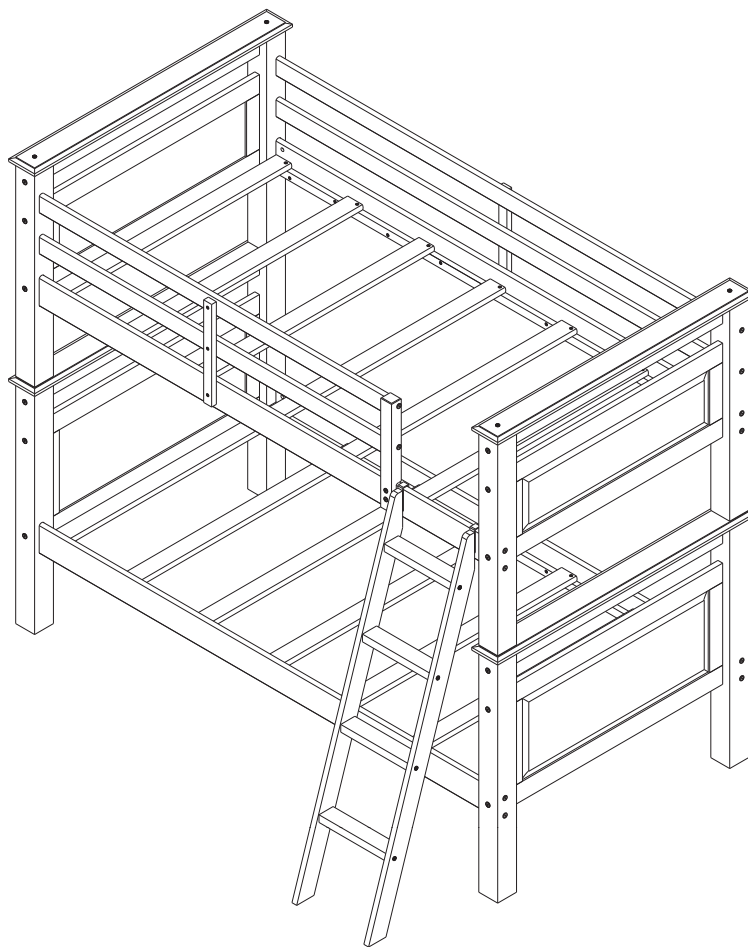

Bunk Bed Black/White/Esspresso
Lit superposable , Blanc/Noir/Esspresso
Litera , Blanco/Negro/Esspresso

This bed is designed to use only a mattress which is 74"-75" long and 37-1/2" - 38-1/2" wide
Ensure thickness of upper mattress does not exceed 8", lower mattress does not exceed 10" and surface of mattress is at least 5" below upper edge of guardrail



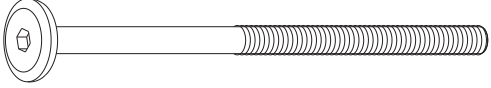
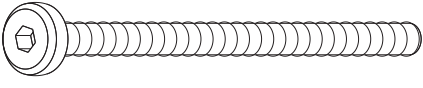
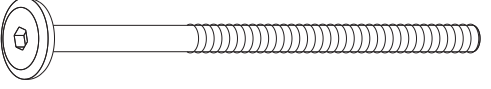
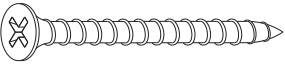

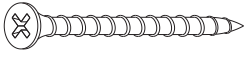
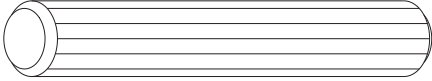
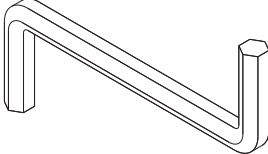
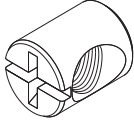
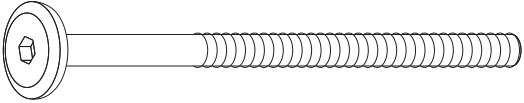
We are here to help!
Before you return it - contact us.

Nous sommes là pour vous aider!
Avant de retourner le produit, veuillez communiquer avec nous.

¡Estamos aquí para ayudarle!
Antes de regresar el producto, comuníquese con nosotros.

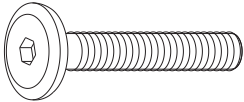
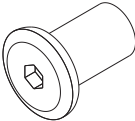


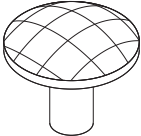
BUNK BED ASSEMBLY MANUAL

HARDWARE LIST

<p>1</p>  <p>Φ 1/4" x 130mm</p>	<p>2</p>  <p>Φ 6.5mm x 48mm</p>
<p>JOINT CONNECTOR (4mm HEX HEAD) 16 PCS</p>	<p>WOOD JOINT CONNECTOR (4mm HEX HEAD) 12 PCS</p>
<p>3</p>  <p>Φ 6.5mm x 120mm</p>	<p>4</p>  <p>Φ 4mm x 35mm</p>
<p>WOOD JOINT CONNECTOR (4mm HEX HEAD) 30 PCS</p>	<p>FLAT HEAD SCREW 28 PCS</p>
<p>5</p>  <p>Φ 10mm x 100mm</p>	<p>6</p>  <p>Φ 4mm x 30mm</p>
<p>METAL DOWEL 4 PCS</p>	<p>FLAT HEAD SCREW 6 PCS</p>
<p>7</p>  <p>Φ 10mm x 50mm</p>	<p>8</p>  <p>HEX KEY 1 PC</p>
<p>WOOD DOWEL 48 PCS</p>	<p>HEX KEY 1 PC</p>
<p>9</p>  <p>Φ 11.8mm x 15mm</p>	<p>10</p>  <p>Φ 6.5mm x 80mm</p>
<p>BARREL NUT 16 PCS</p>	<p>WOOD JOINT CONNECTOR (4mm HEX HEAD) 2 PCS</p>

BUNK BED ASSEMBLY MANUAL

HARDWARE LIST

<p>11</p>  <p>Φ 1/4" x 32mm</p>	<p>12</p>  <p>Φ 9mm x 17mm</p>
<p>JOINT CONNECTOR (4mm HEX HEAD) 2 PCS</p>	<p>HEX CAP 2 PCS</p>
<p>13</p>  <p>Φ 4mm x 60mm</p>	<p>14</p>  <p>Φ 3.5mm x 19mm</p>
<p>FLAT HEAD SCREW 16 PCS</p>	<p>FLAT HEAD SCREW 2 PCS</p>
<p>15</p>  <p>Φ 34mm x 29mm</p>	
<p>MUSHROOM CAP 4 PCS</p>	

IMPORTANT:

1. Do not tighten bolts completely until all bolts are completely lined up and inserted into holes / nuts.
2. Do not over tighten screws and bolts to avoid stripping.
3. Please use hand tools to assemble this product. Do not use power tools.

IMPORTANT :

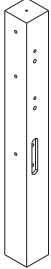




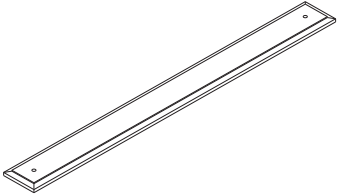
1. Ne serrez pas complètement les boulons jusqu'à ce qu'ils soient bien alignés et insérés dans les trous et les écrous.
2. Ne serrez pas excessivement les boulons pour éviter d'endommager les filets.
3. Veuillez utiliser des outils manuels pour assembler ce produit. Ne pas utiliser d'outils électriques.

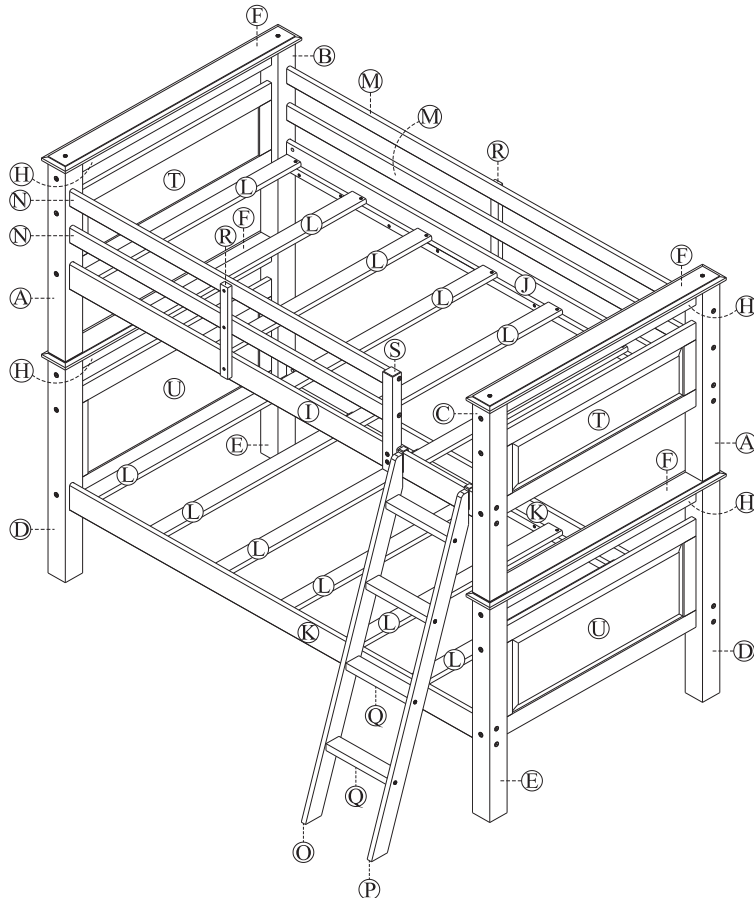
IMPORTANTE:

1. No apriete completamente los pernos hasta que estén bien alineados e insertados en los orificios y las tuercas.
2. No apriete exageradamente los pernos para evitar dañar las roscas.
3. Favor de utilizar herramientas manuales para ensamblar este producto. No utilizar herramientas eléctricas.

BUNK BED ASSEMBLY MANUAL

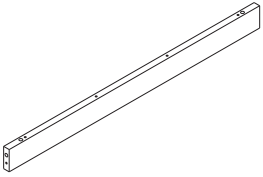
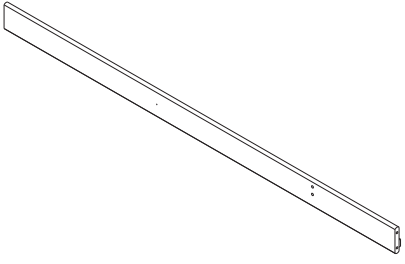
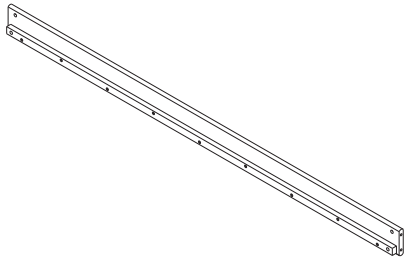
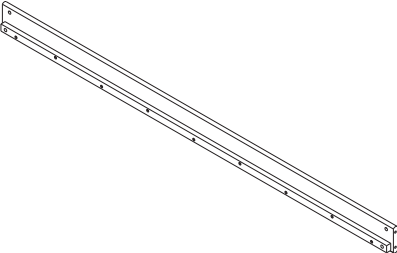
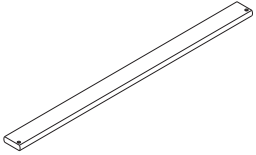
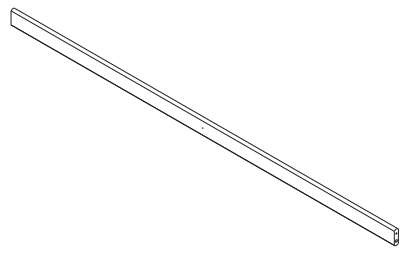
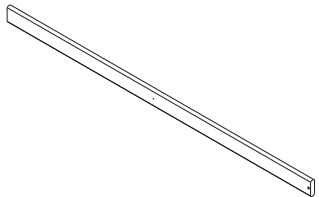
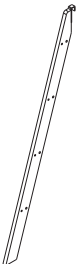
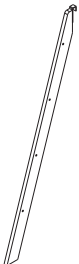
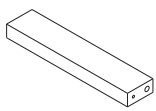


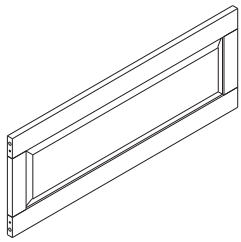
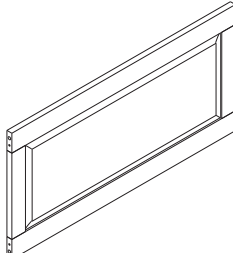
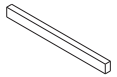
PARTS LIST

A 	B 	C 
<p>TOP POST 2 PCS</p>	<p>TOP POST 1 PC</p>	<p>TOP POST 1 PC</p>
D 	E 	F 
<p>BOTTOM POST 2 PCS</p>	<p>BOTTOM POST 2 PCS</p>	<p>HEADBOARD TOP CAP 4 PCS</p>



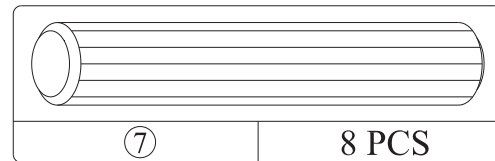
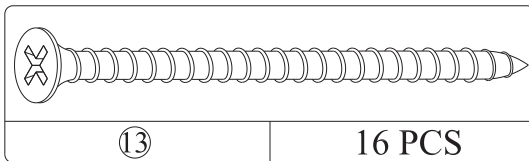
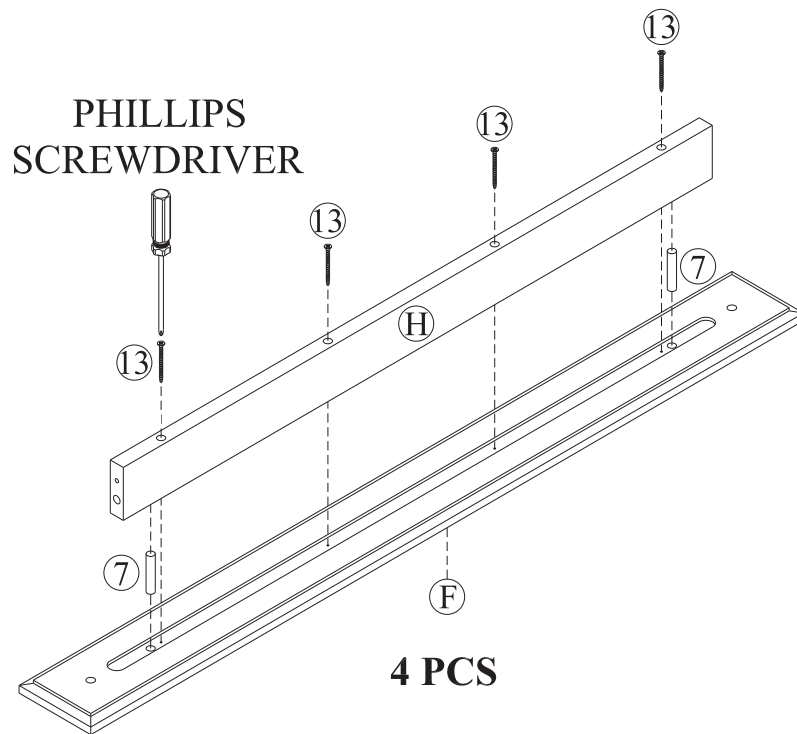
BUNK BED ASSEMBLY MANUAL

PARTS LIST

H 	I 	J 
HEADBOARD TOP CROSS 4 PCS	TOP FRONT SIDE RAIL 1 PC	TOP BACK SIDE RAIL 1 PC
K 	L 	M 
BOTTOM SIDE RAIL 2 PCS	SLAT 14 PCS	LONG GUARDRAIL 2 PCS
N 	O 	P 
SHORT GUARDRAIL 2 PCS	LEFT LADDER END 1 PC	RIGHT LADDER END 1 PC
Q 	R 	S 
LADDER STEP 4 PCS	GUARDRAIL LEG 2 PCS	SHORT GUARDRAIL POST 1 PC
T 	U 	V 
TOP HEADBOARD PANEL 2 PCS	BOTTOM HEADBOARD PANEL 2 PCS	SPACE BLOCK 2 PCS

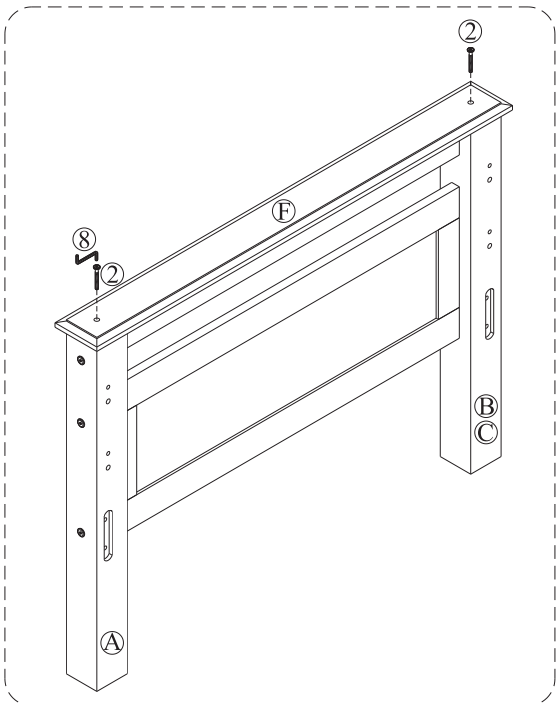
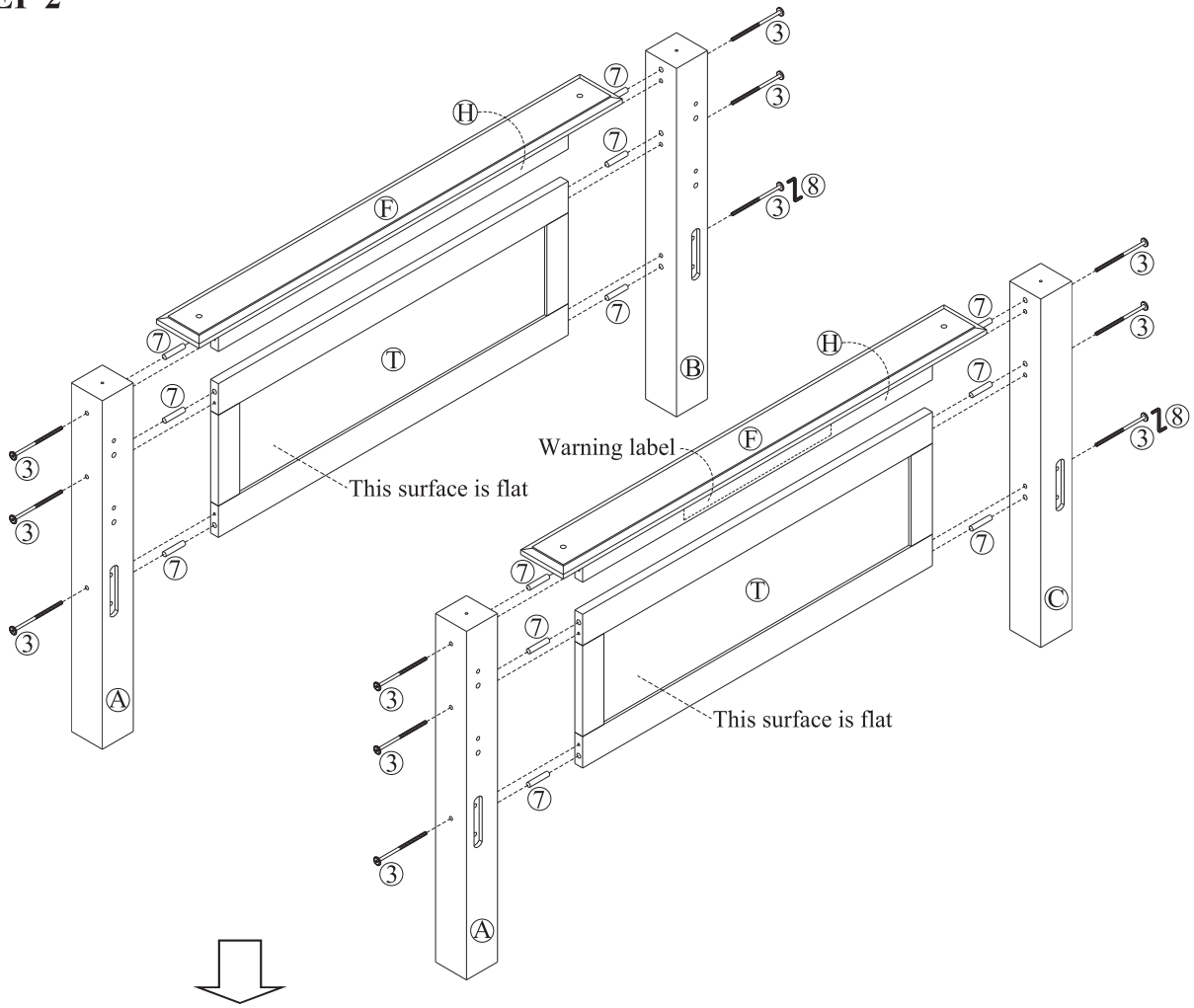
BUNK BED ASSEMBLY MANUAL

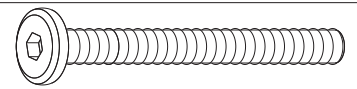
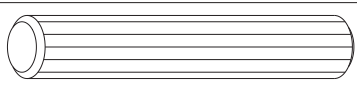
STEP 1

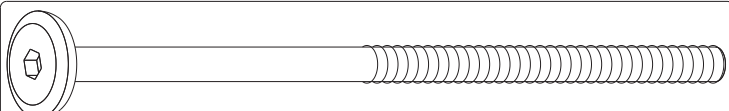


BUNK BED ASSEMBLY MANUAL

STEP 2

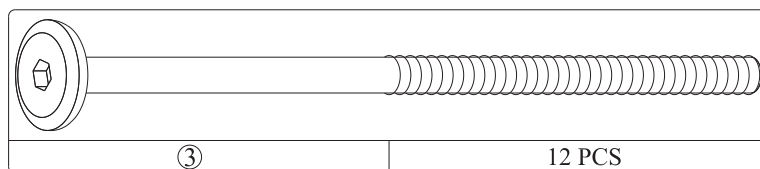
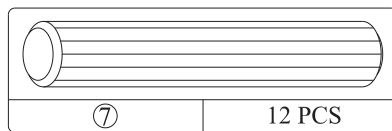
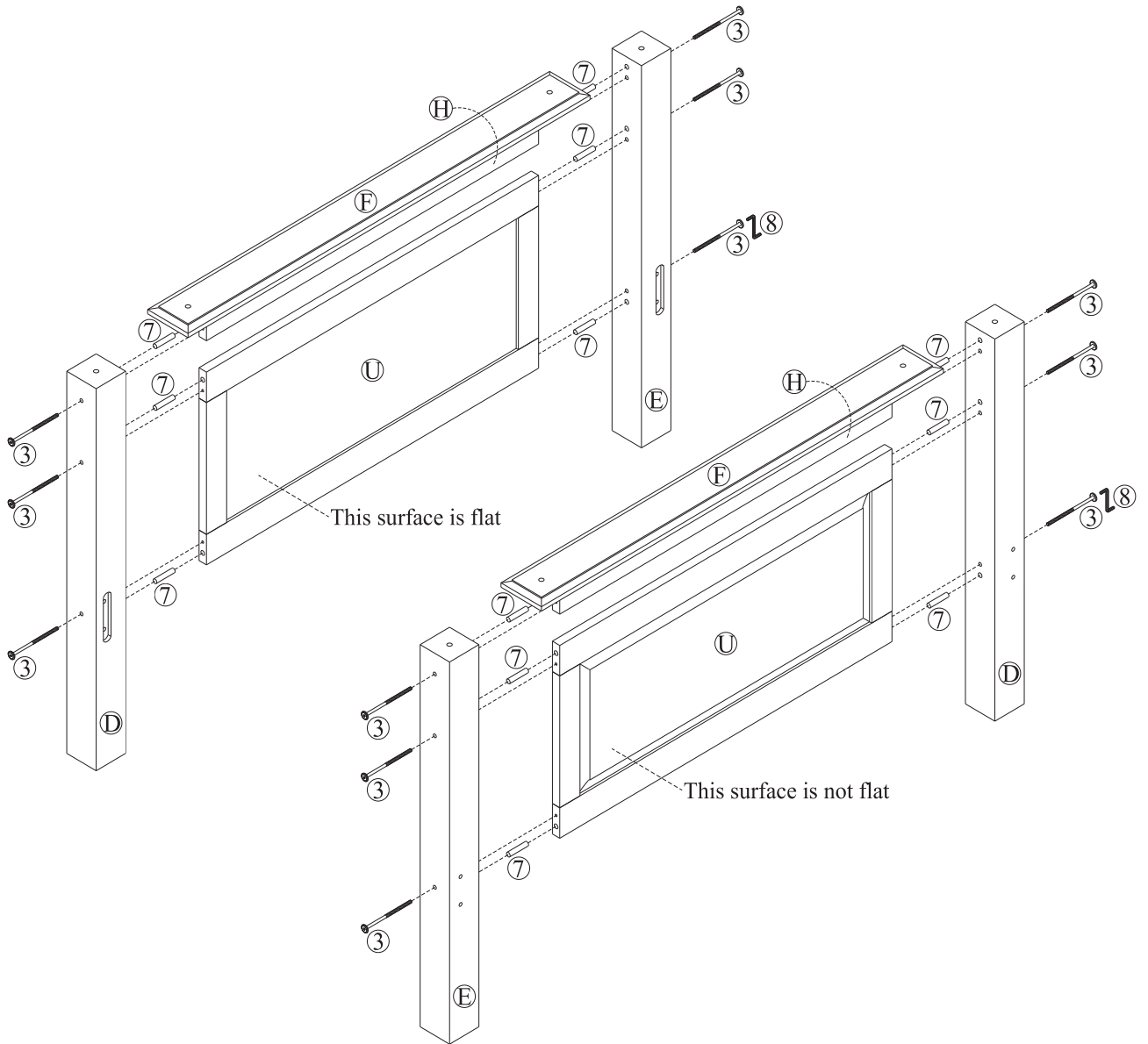


	4 PCS
	12 PCS

	12 PCS
--	--------

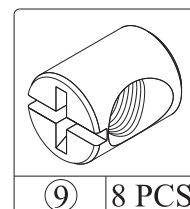
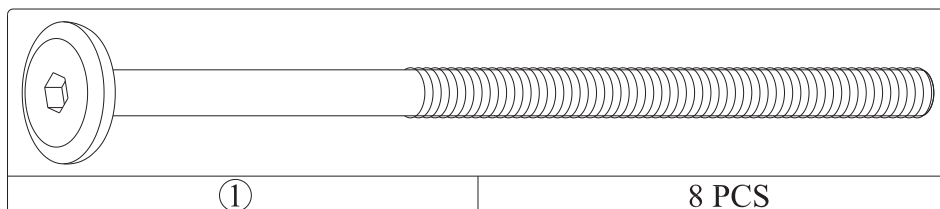
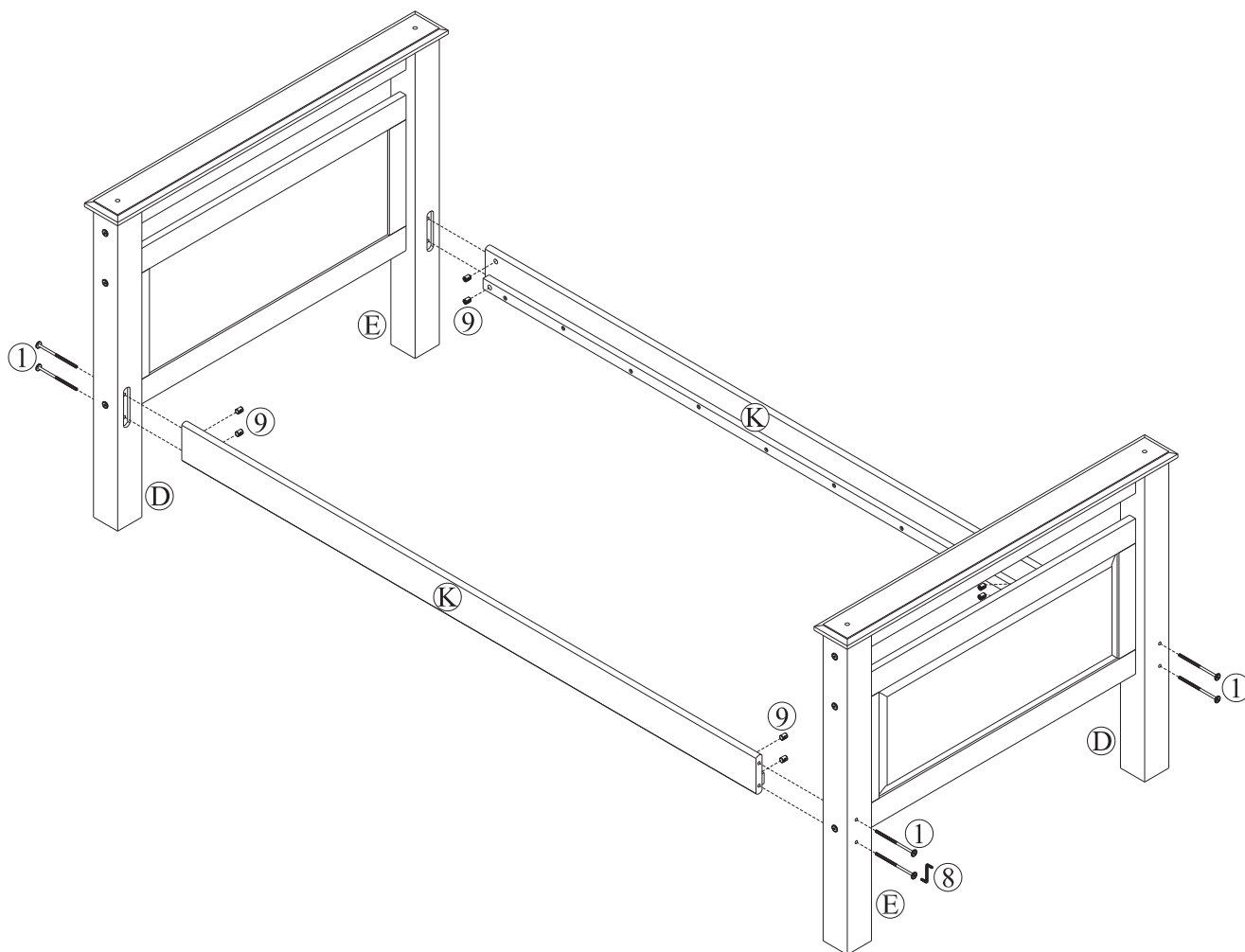
BUNK BED ASSEMBLY MANUAL

STEP 3



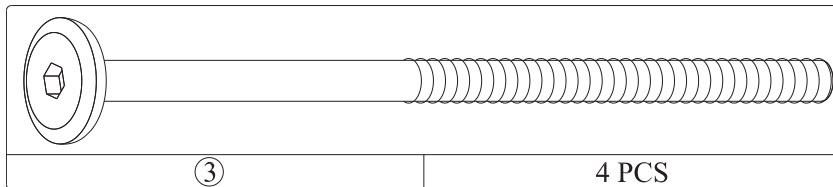
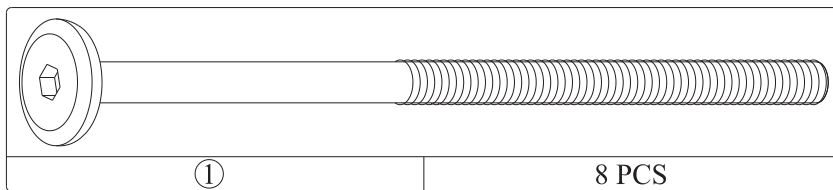
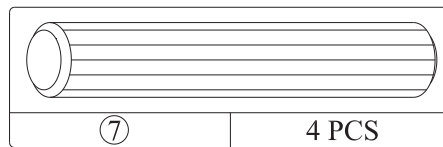
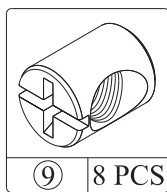
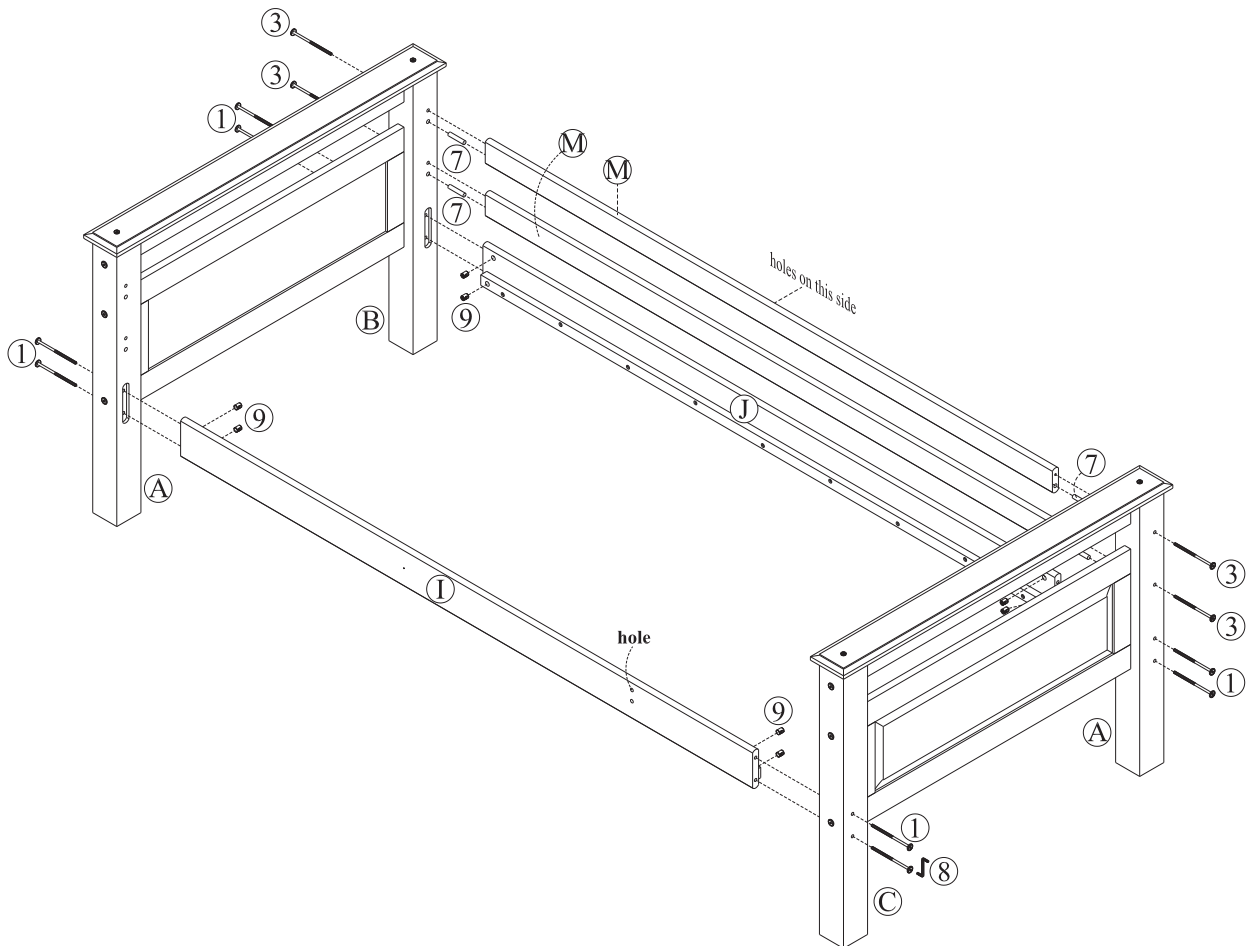
BUNK BED ASSEMBLY MANUAL

STEP 4



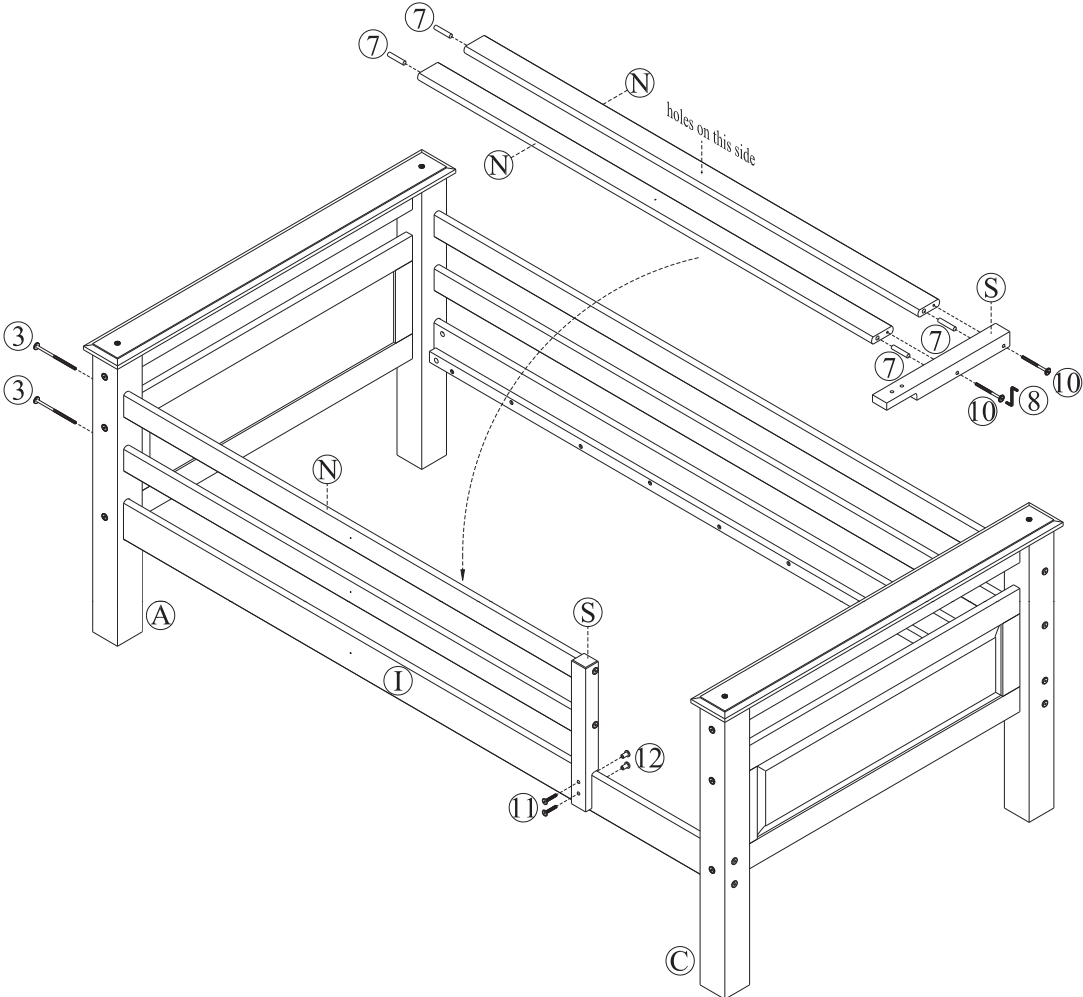
BUNK BED ASSEMBLY MANUAL

STEP 5



BUNK BED ASSEMBLY MANUAL

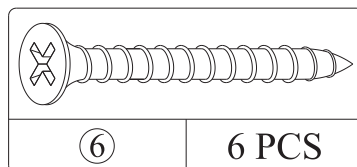
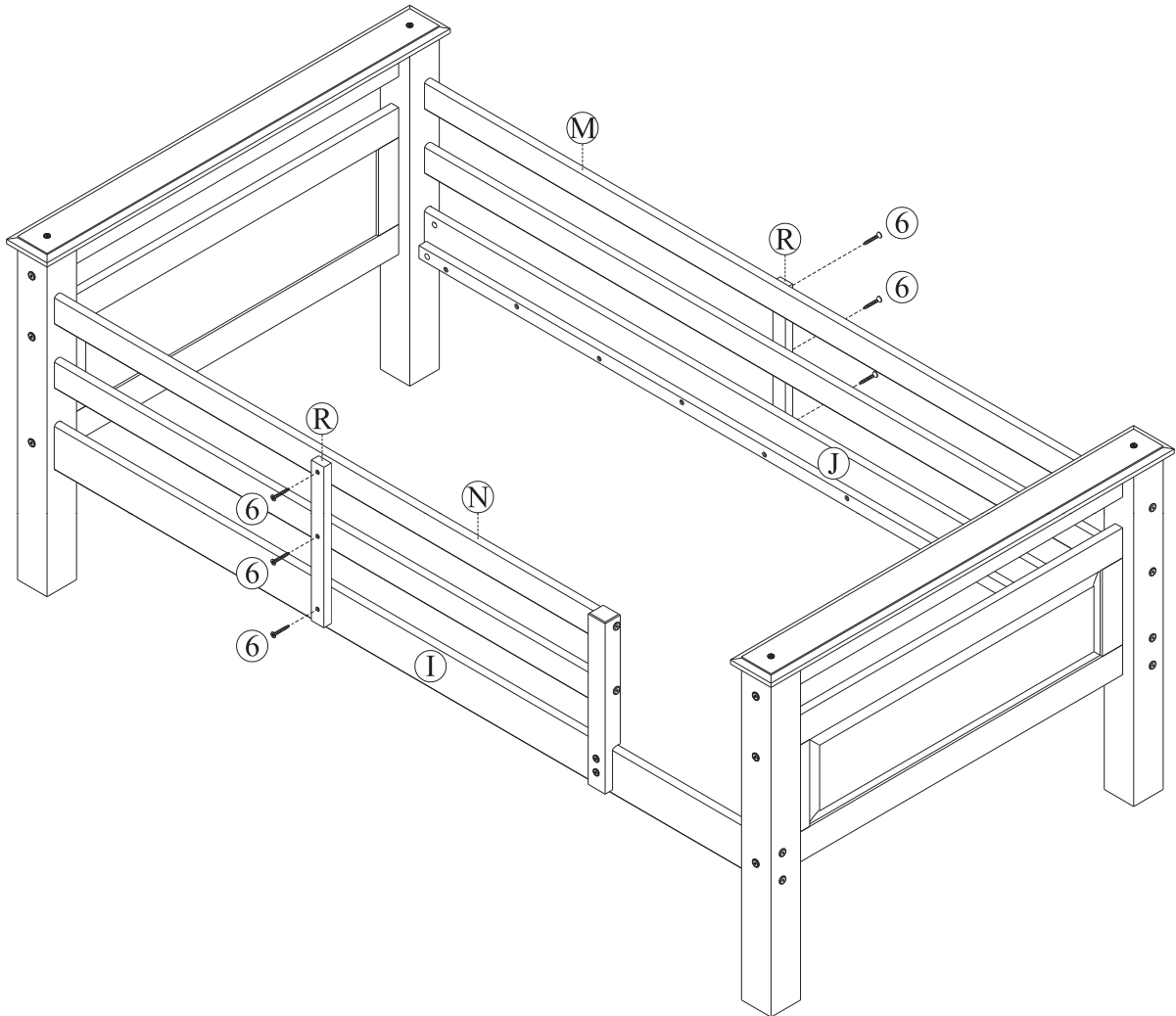
STEP 6



	7	4 PCS		11	2 PCS
	10	2 PCS		12	2 PCS
	3	2 PCS			

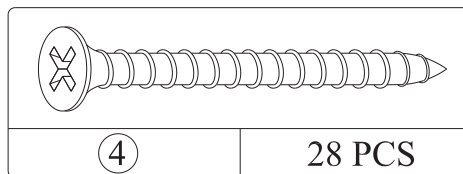
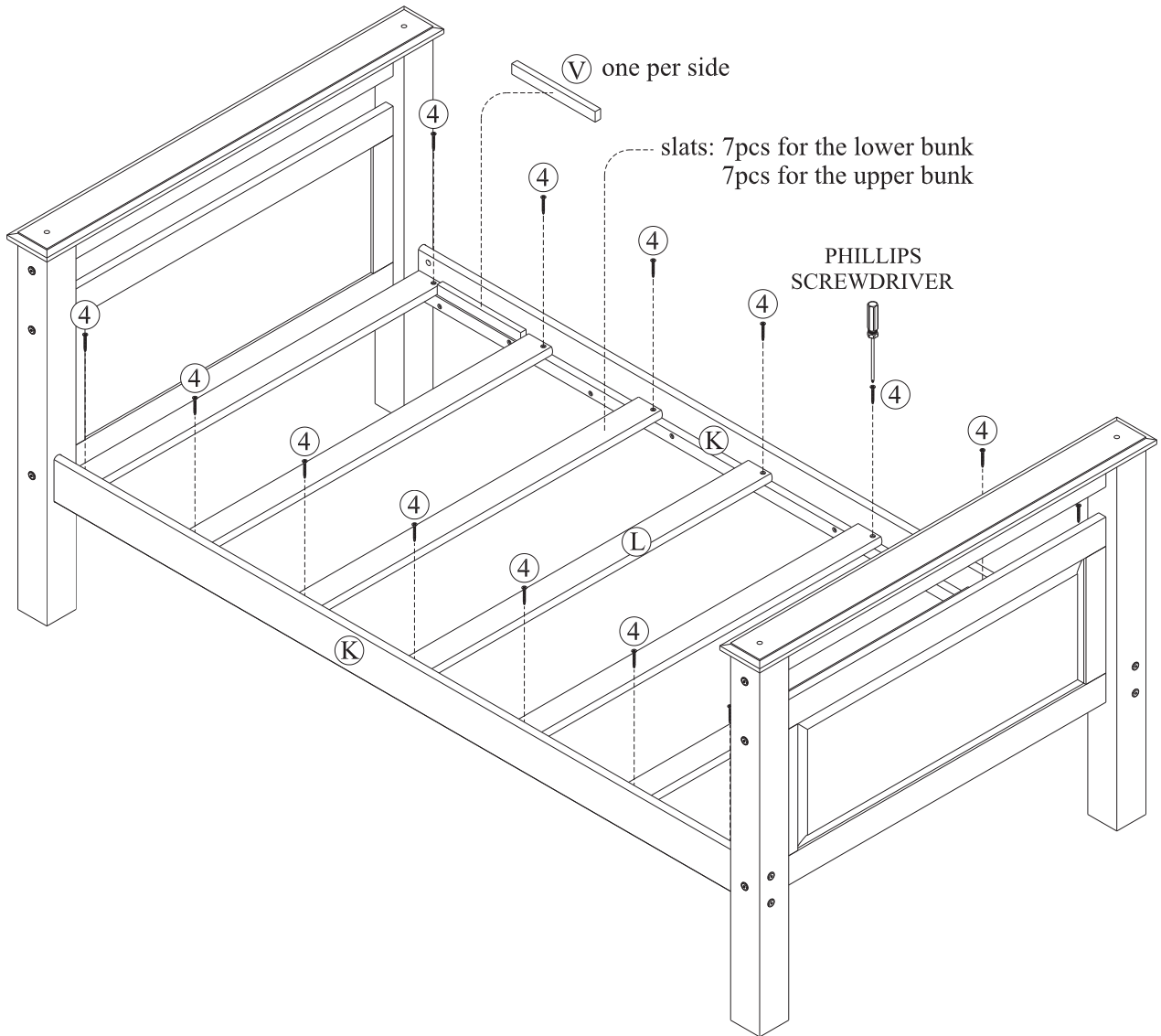
BUNK BED ASSEMBLY MANUAL

STEP 7



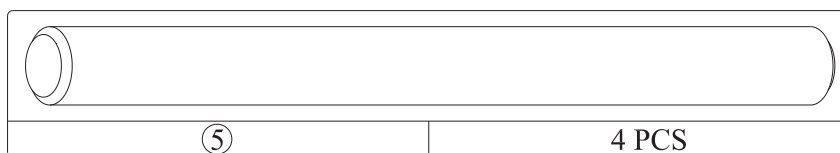
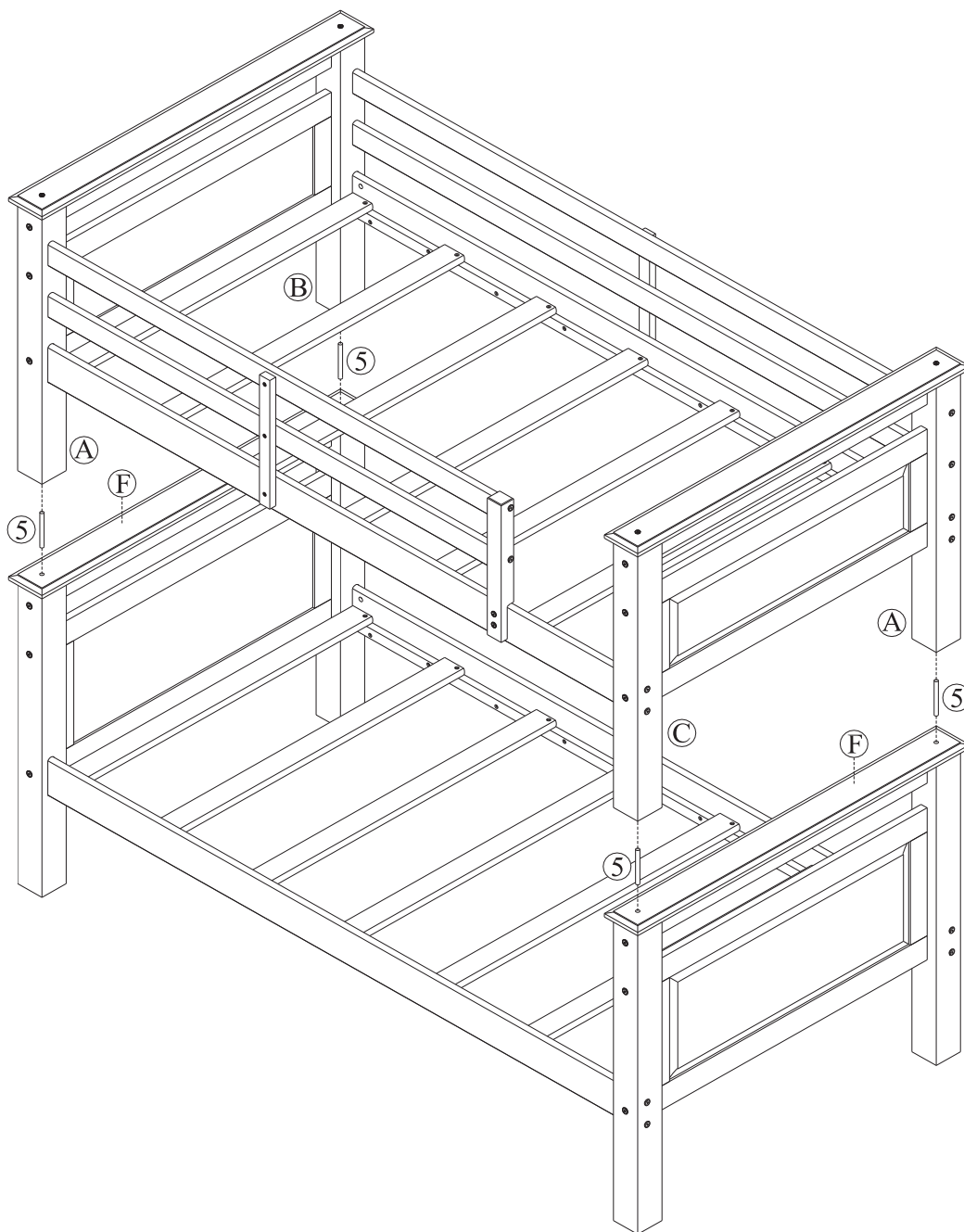
BUNK BED ASSEMBLY MANUAL

STEP 8



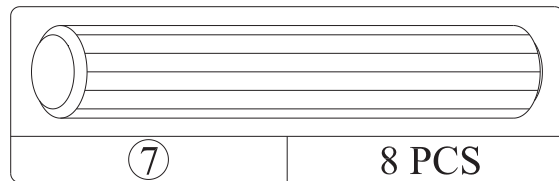
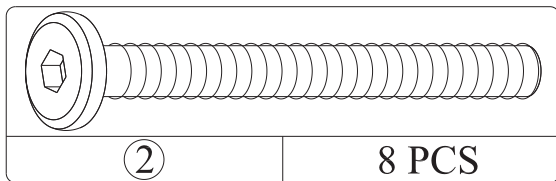
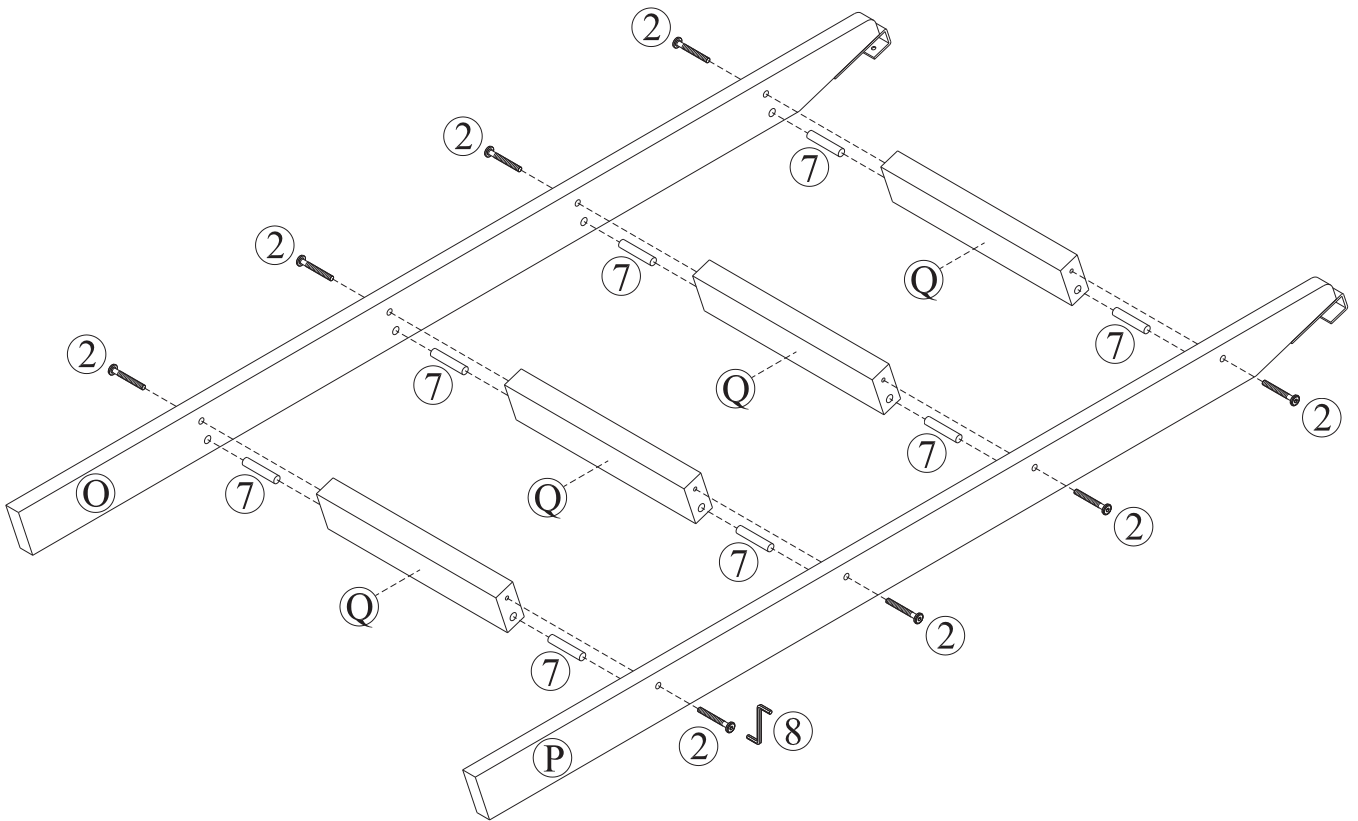
BUNK BED ASSEMBLY MANUAL

STEP 9



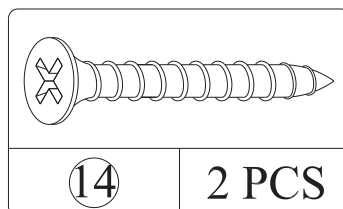
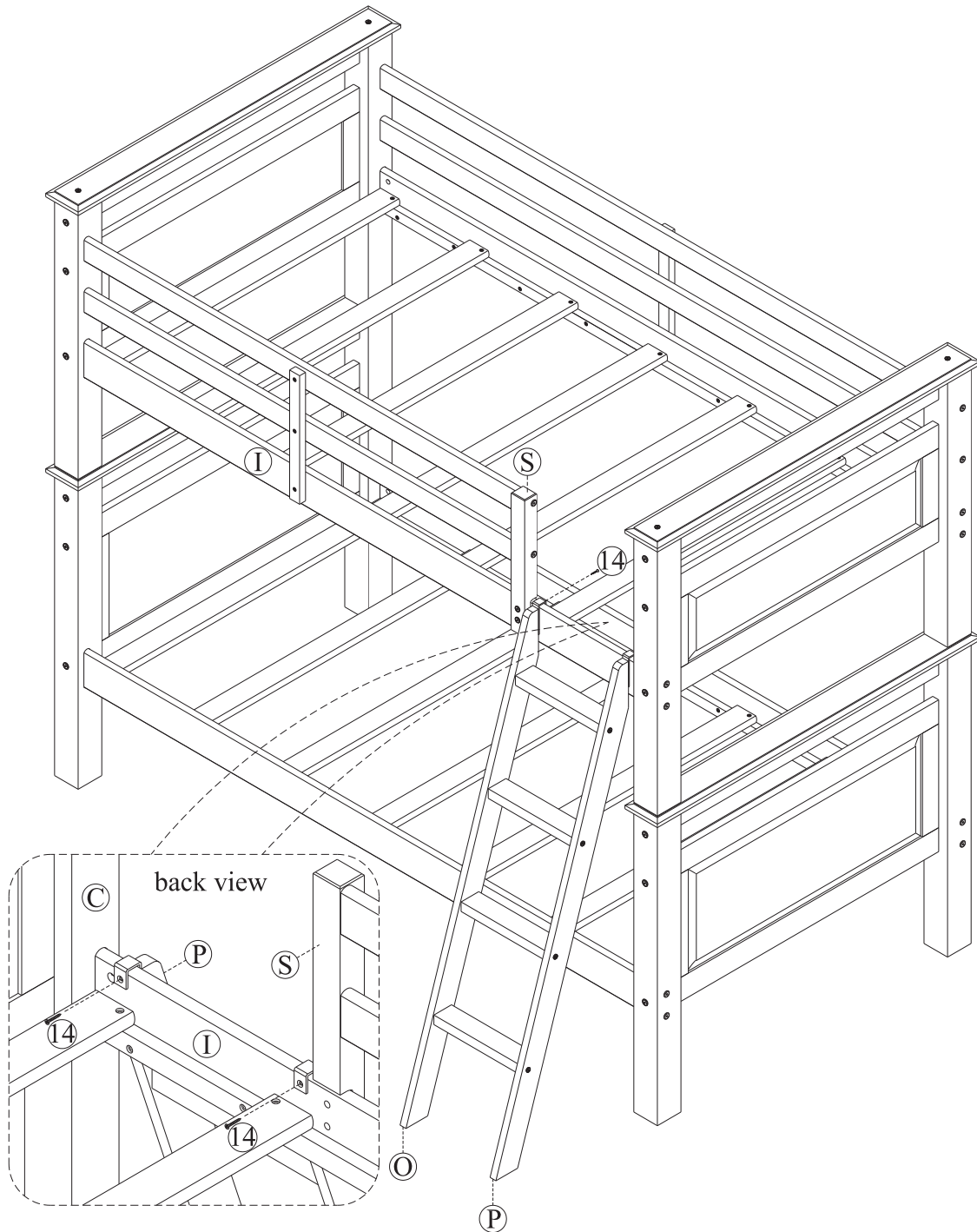
BUNK BED ASSEMBLY MANUAL

STEP 10

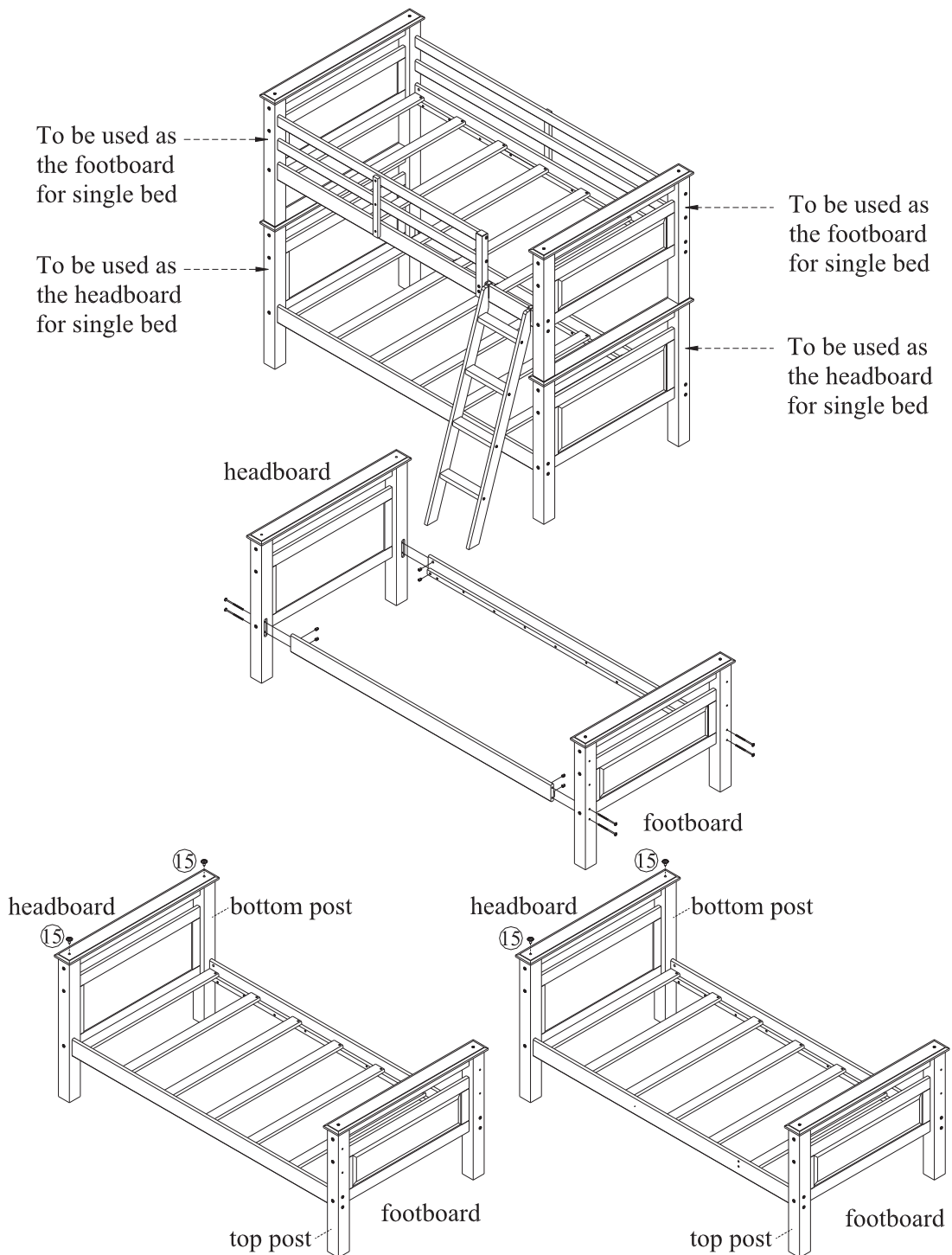


BUNK BED ASSEMBLY MANUAL

STEP 11



BUNK BED ASSEMBLY MANUAL



Remove the ladder and all the guardrails.

With the help of another person, remove the top bunk from the lower bunk.

Disassemble the side rails from all headboards (top and lower bunks).

Re-assemble the headboards (with tall posts) and footboards (with short posts) to side rails.

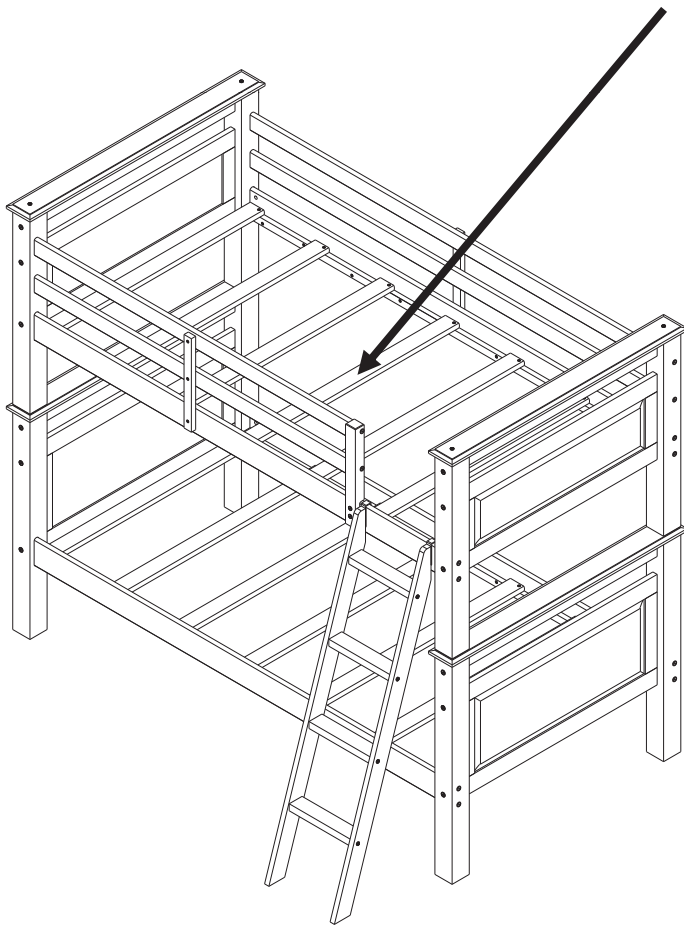
Note: Switching the headboards will allow the two single beds to be identical (the headboards will have taller posts and the footboards will have the shorter posts).

BUNK BED ASSEMBLY MANUAL

! **CAUTION:** This unit is intended for use only with the products and/or maximum weights indicated. Use with other products and/or products heavier than the maximum weights indicated may result in instability or cause possible injury.

DO NOT ALLOW HORSEPLAY ON OR UNDER THE BED AND PROHIBIT JUMPING ON THE BED.

DO NOT ALLOW CHILDREN UNDER 6 YEARS OF AGE TO USE THE UPPER BUNK. BED IS DESIGNED FOR CHILDREN RANGING FROM 6 YEARS OF AGE TO YOUNG TEENAGERS.



USE ONLY COIL SPRING MATTRESSES ON BOTH THE UPPER AND LOWER BUNKS. FAILURE TO DO SO CAN RESULT IN INJURY.

USE ONLY MATTRESSES WHICH ARE 74"-75" LONG AND 37 1/2" - 38 1/2" WIDE ON UPPER AND ON LOWER BUNKS. ENSURE THICKNESS OF UPPER MATTRESS DOES NOT EXCEED 8", LOWER MATTRESS DOES NOT EXCEED 10"

That's it! You've finished assembling your bunk bed.

 **WARNING TO HELP PREVENT SERIOUS OR FATAL INJURIES FROM ENTRAPMENT OR FALLS:**

- Never allow a child under 6 years old on the upper bunk.
- Always use the recommended size mattress or mattress support, or both, to help prevent the likelihood of entrapment or falls.
- Use only a mattress which is 74" - 75" long and 37-1/2" ~ 38-1/2" wide on the upper bunk.
- Ensure thickness of upper mattress does not exceed 8" lower mattress does not exceed 10" and surface of mattress is at least 5" below upper edge of guardrail
- Always use guardrails on both long sides of the upper bunk.
- If bunk bed will be placed next to a wall, the guardrail that runs the full length of the bed should be placed against the wall to prevent entrapment between the bed and the wall.
- Prohibit horseplay on or under bed(s) and prohibit jumping on the bed.
- Prohibit more than one person on upper bunk.
- Use ladder for entering and leaving upper bunk.
- Maximum total weight is not to exceed 300 lbs. on the upper bunk.
- Periodically check and ensure that the guardrail, ladder, and other components are in their proper position, free from damage, and that all connectors are tight.
- Do not use substitute parts. Replacement parts, including additional guardrails, may be obtained from our customer service department.
- Use of water or sleep flotation mattresses is prohibited.
- Use of a night light may provide added safety precaution for a child using the upper bunk.
- Follow the information on the warnings appearing on the upper bunk end structure and on the carton
- Keep these instructions for future reference.

STRANGULATION HAZARD Never attach or hang items to any part of the bunk bed that are not designed for use with the bed; for example, but not limited to, hooks, belts and jump ropes.

DO NOT REMOVE THIS LABEL, KEEP THESE INSTRUCTIONS FOR FUTURE REFERENCE.

WARRANTY
GARANTIE
GARANTÍA

MADE IN VIETNAM
FABRIQUÉ EN VIETNAM
HECHO EN VIETNAM

