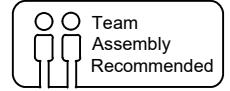
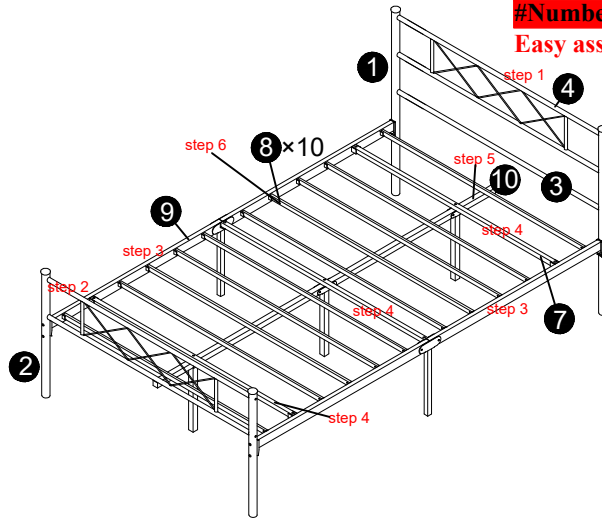


Bed Frame Installation Manual

#NumberSystem

Easy assembly by following step 1、step 2、step 3...



Components

Screws & Tools

- ① × 2
- ② × 2
- ③ × 1
- ④ × 2
- With Screw Holes ⑦ × 3
- Without Screw Holes ⑧ × 10
- ⑨ × 2
- ⑩ × 1

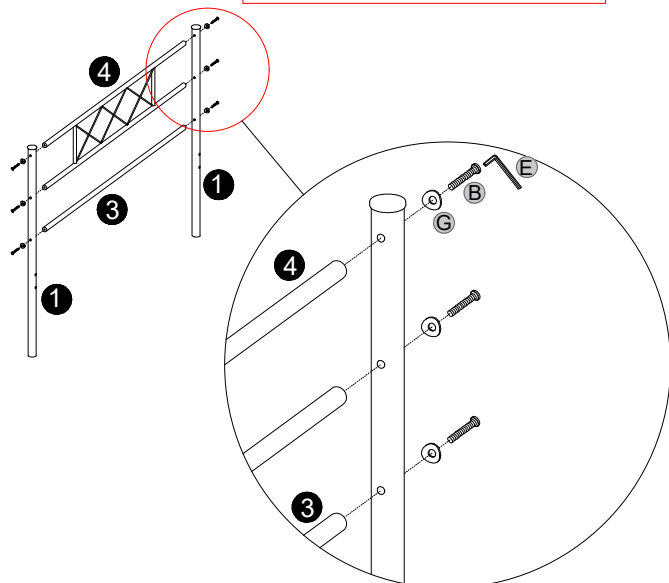
A		M8×50mm	×4
B		M6×55mm	×13
C		M6×30mm	×6
D		M6×28mm	×4
E		4×4mm	×2
F			×4
G			×18
N			×1

Check all the components & screws before assembly. Do not install in case part is missing, contact us to get.

1

B		M6×55mm	6PCS
G			6PCS
E		4×4mm	1PC

Note: For easy setup intention, do not tighten screws during the installation process



2

B		M6×55mm	4PCS
G			4PCS
E		4×4mm	1PC

