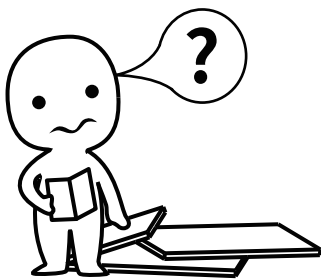


INSTALLATION

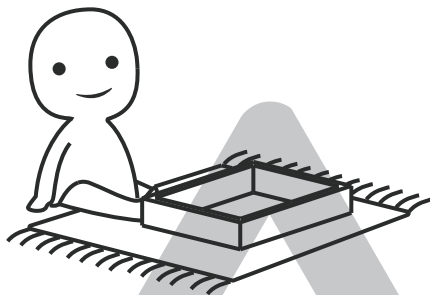
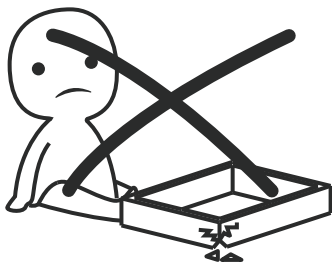
Product Manual

Version: 590009US-01-25A-NG



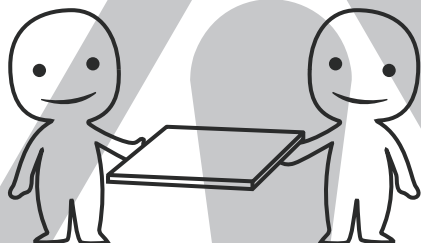
IMPORTANT INFORMATION!

please read the entire manual before starting to assemble and/or using this product. follow the manual thoroughly and keep it for further reference.



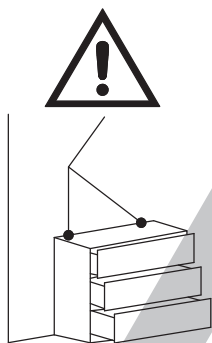
AVOID SCRATCHES!

In order to avoid scratching this furniture should be assembled on a soft layer- could be a rug.



IMPROVE EFFICIENCY !

Try to find a partner to install with you, which can speed up the installation efficiency and shorten the time.



ANTI-TOPPLE WARNING !

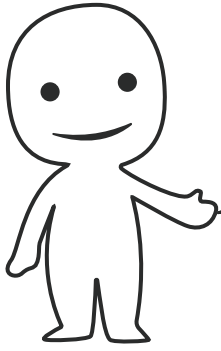
Overturnd furniture can cause serious or fatal crush injuries. To prevent tipping over, be sure to use the wall attachment, if not included with this product. Please purchase the wall attachment that fit your wall. If unsure, seek professional advice. Please read and follow each step of the instructions carefully.

IMPORTANT !

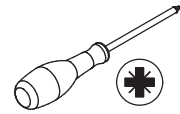
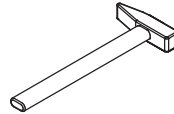
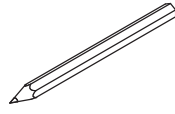
It is important that any product which is assembled using any kind of screw is re-tightened 2 weeks after assembly, and once every 3 months - in order to assure stability through-out the lifespan of the product.

For regular maintenance and cleaning of the product, for the frame, please use a rag dipped in neutral detergent to fully wipe it, and then dry it with a clean rag. For glass materials, wipe with a rag dampened with water glass cleaner, and then dry with a dry rag.

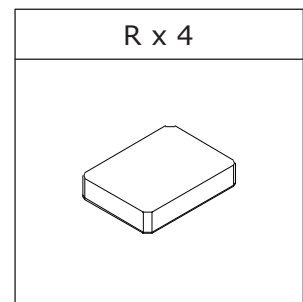
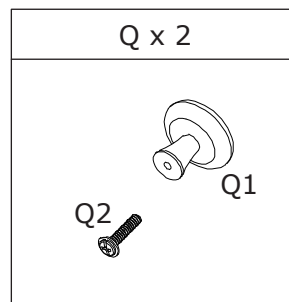
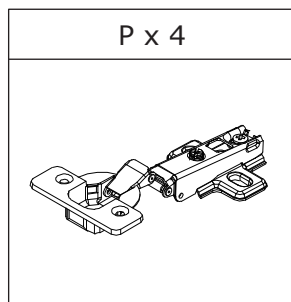
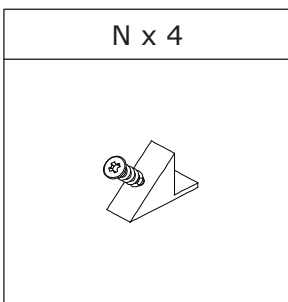
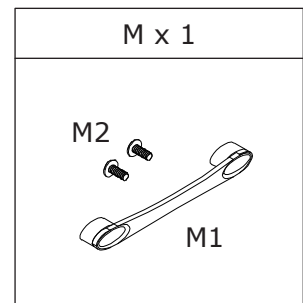
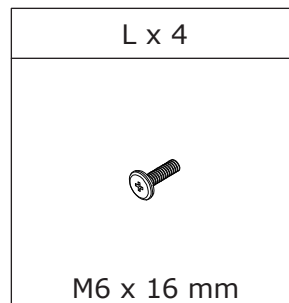
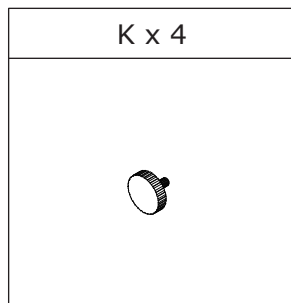
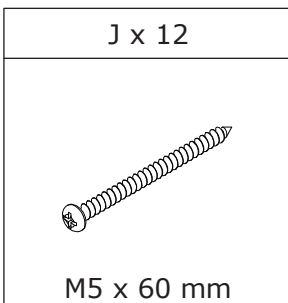
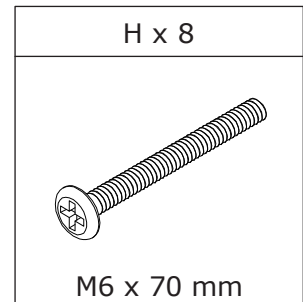
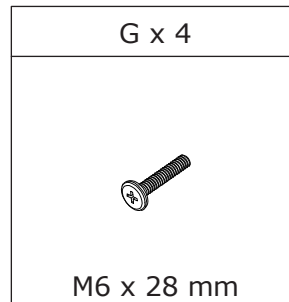
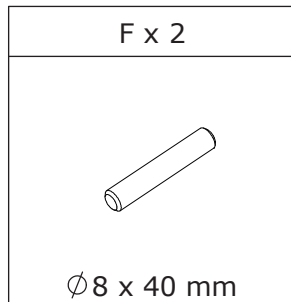
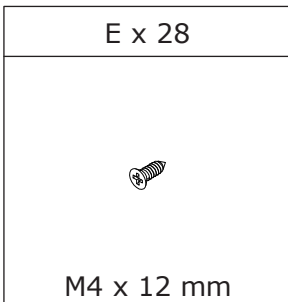
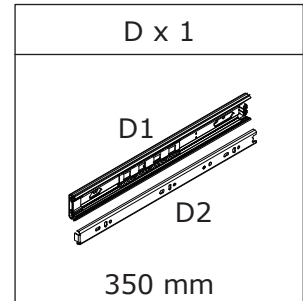
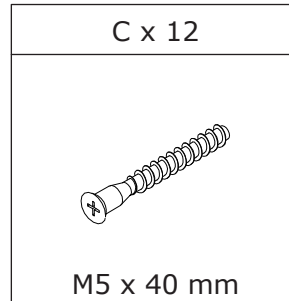
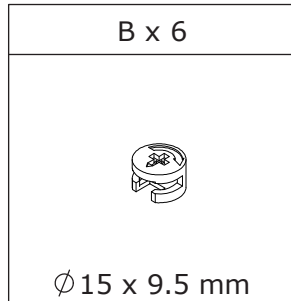
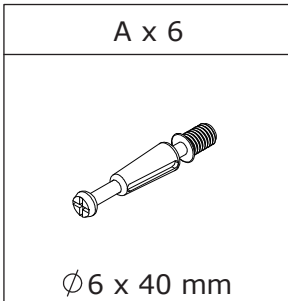
Do not use an electric screwdriver, and do not use too much force when installing, because the board is easy to break.

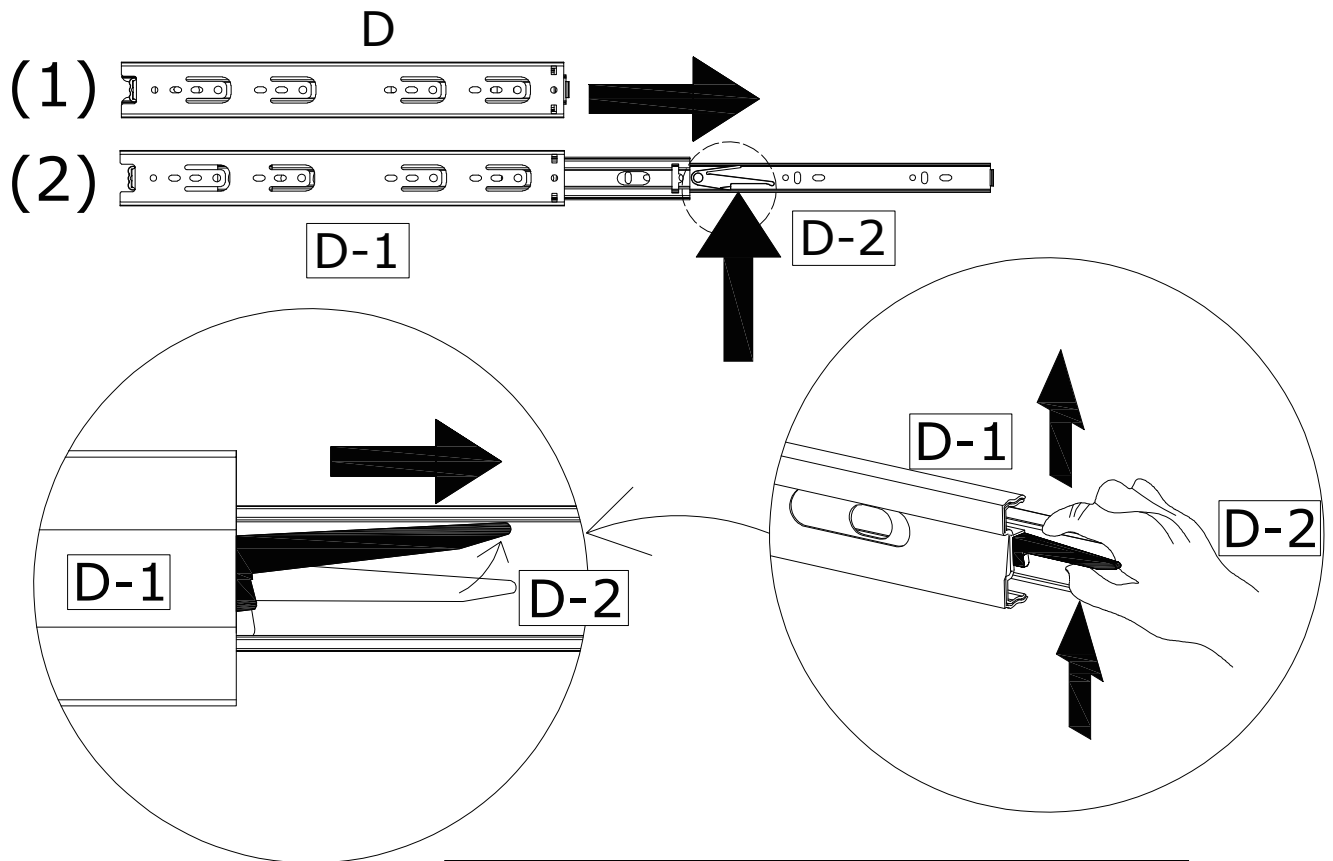


Please prepare the following tools

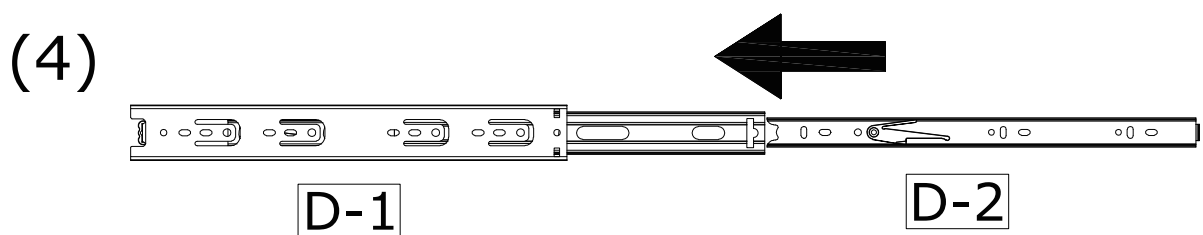
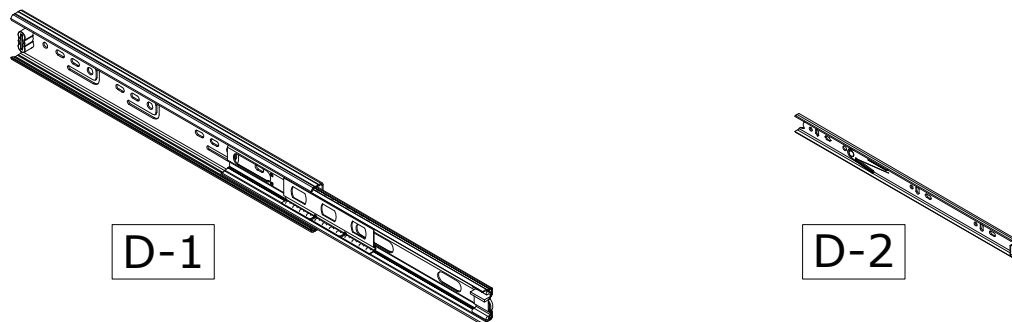
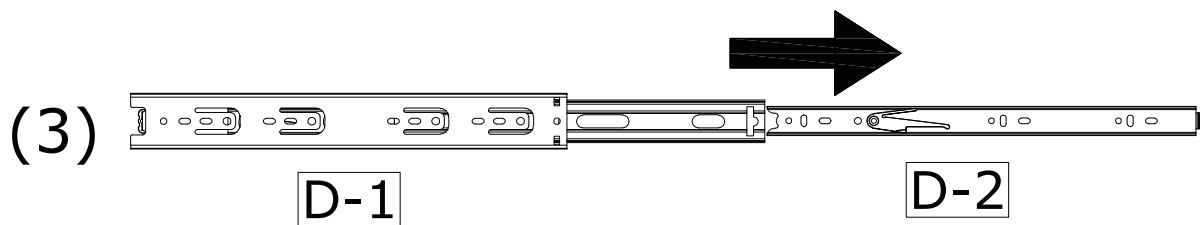


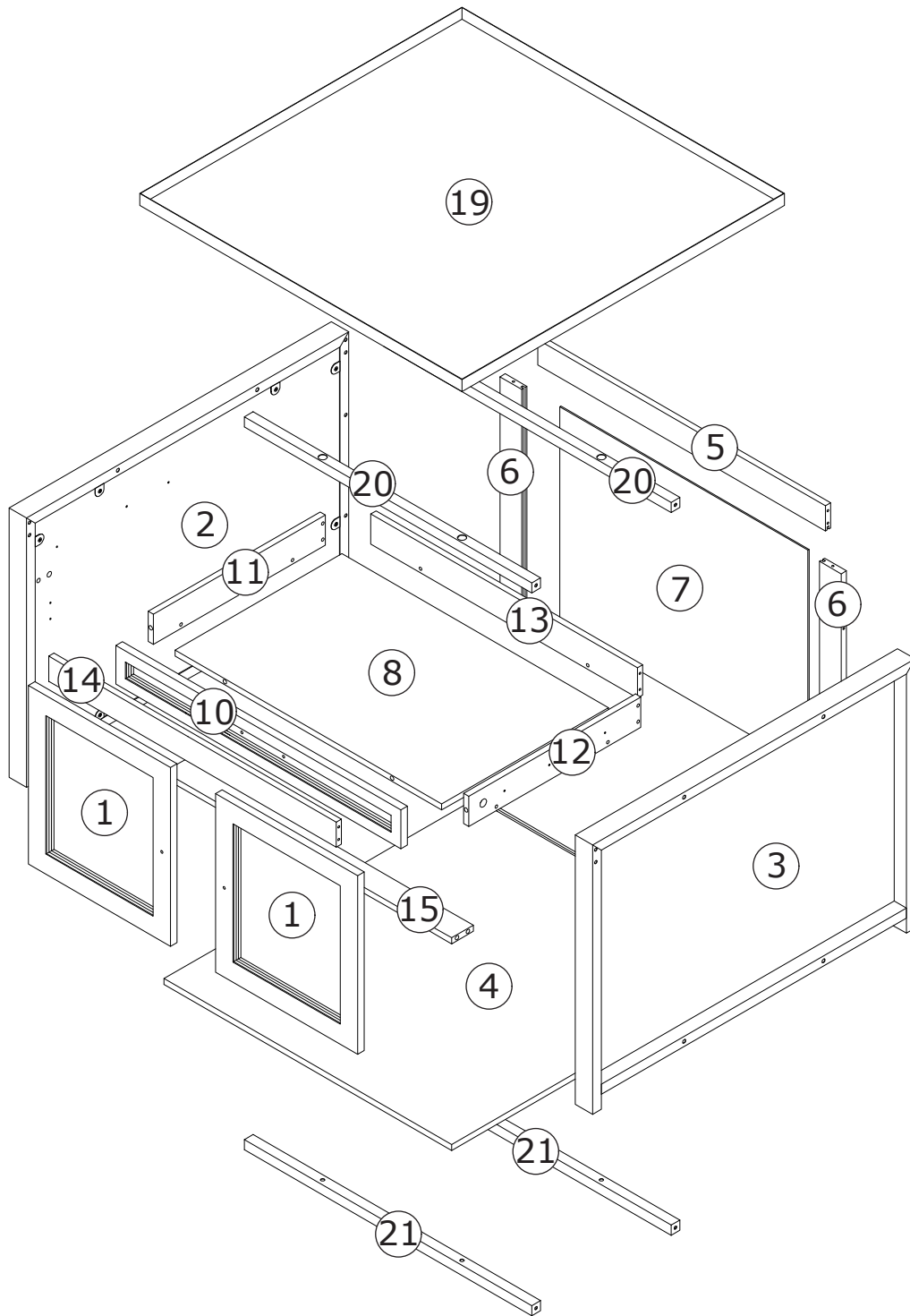
When installing, please carefully confirm whether each screw corresponds to the manual, accessories with similar shapes can be distinguished by size





Move the black paddle upward and pull out (P-2) to the right.





⚠ WARNING

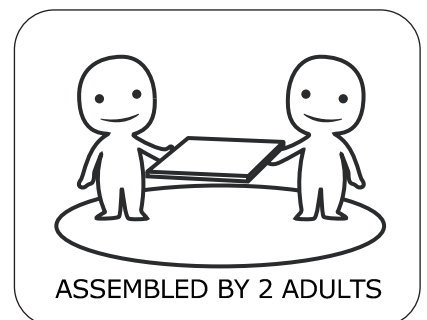


Children have died from furniture tipover. To reduce the risk of furniture tipover:

- ALWAYS install Anti-tip device provided.
- NEVER put a TV on this product.
- NEVER allow children to stand, climb or hang on drawers, doors, or shelves.
- NEVER open more than one drawer at a time.
- Place heaviest items in the lowest drawers.

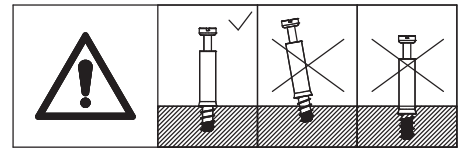
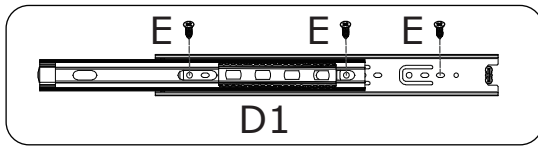
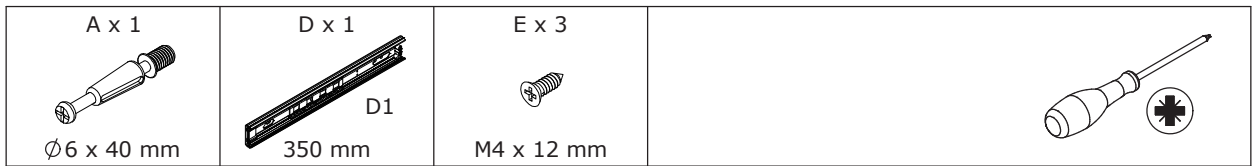


*This is a permanent label.
Do not remove!*

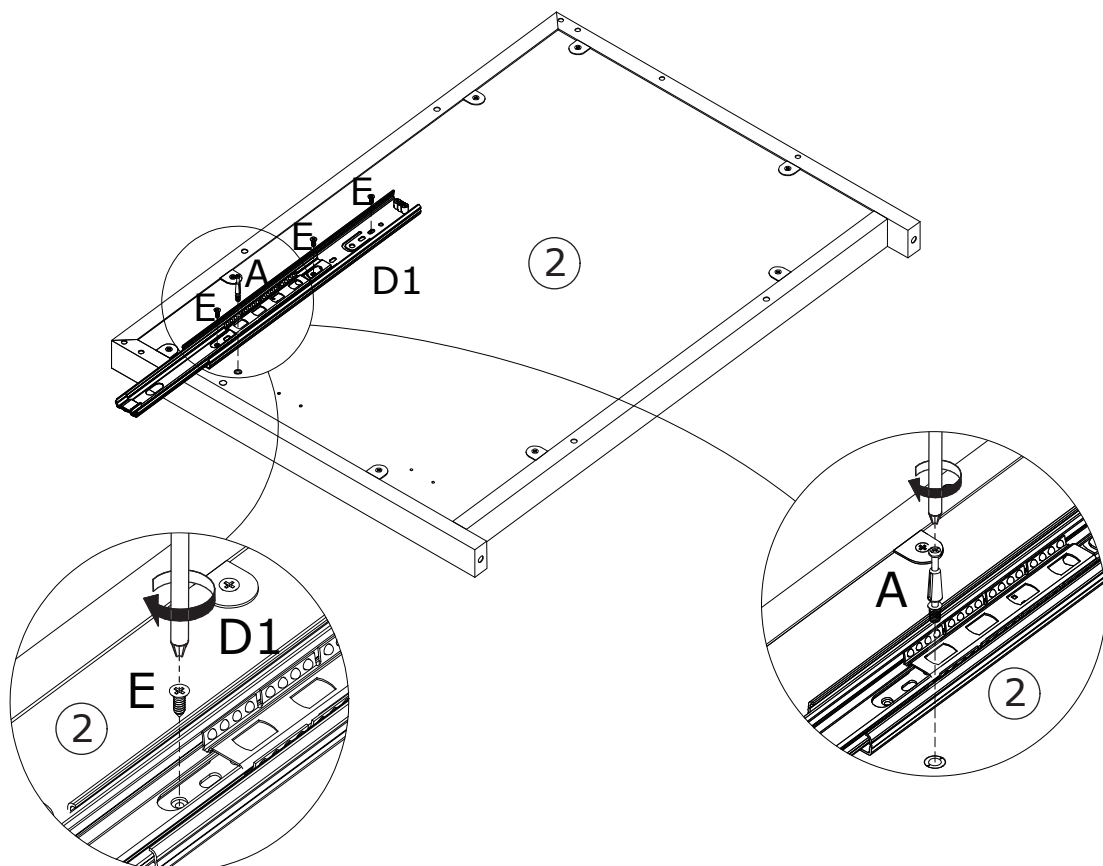


ASSEMBLED BY 2 ADULTS

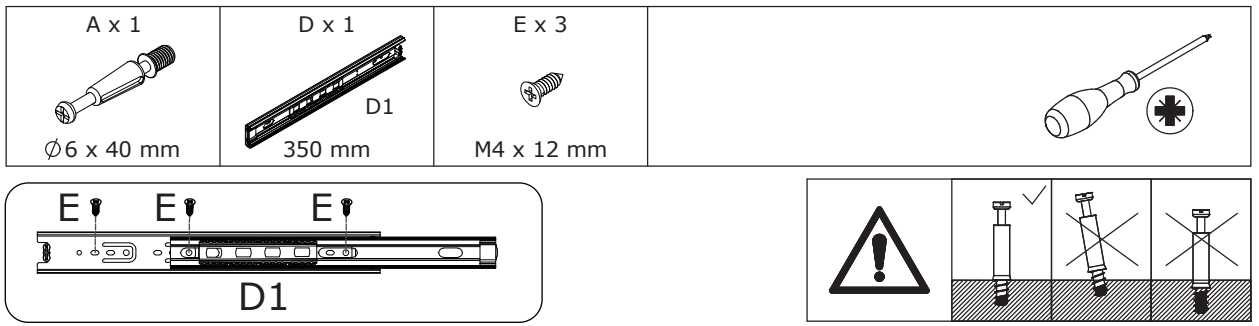
1



As shown in the figure, fix the sliding rail D1 to the side panels 2 with screw E.
Please pay attention to the screw hole positions for installing the sliding rail D1.
Then install screw A onto the side panels 2.



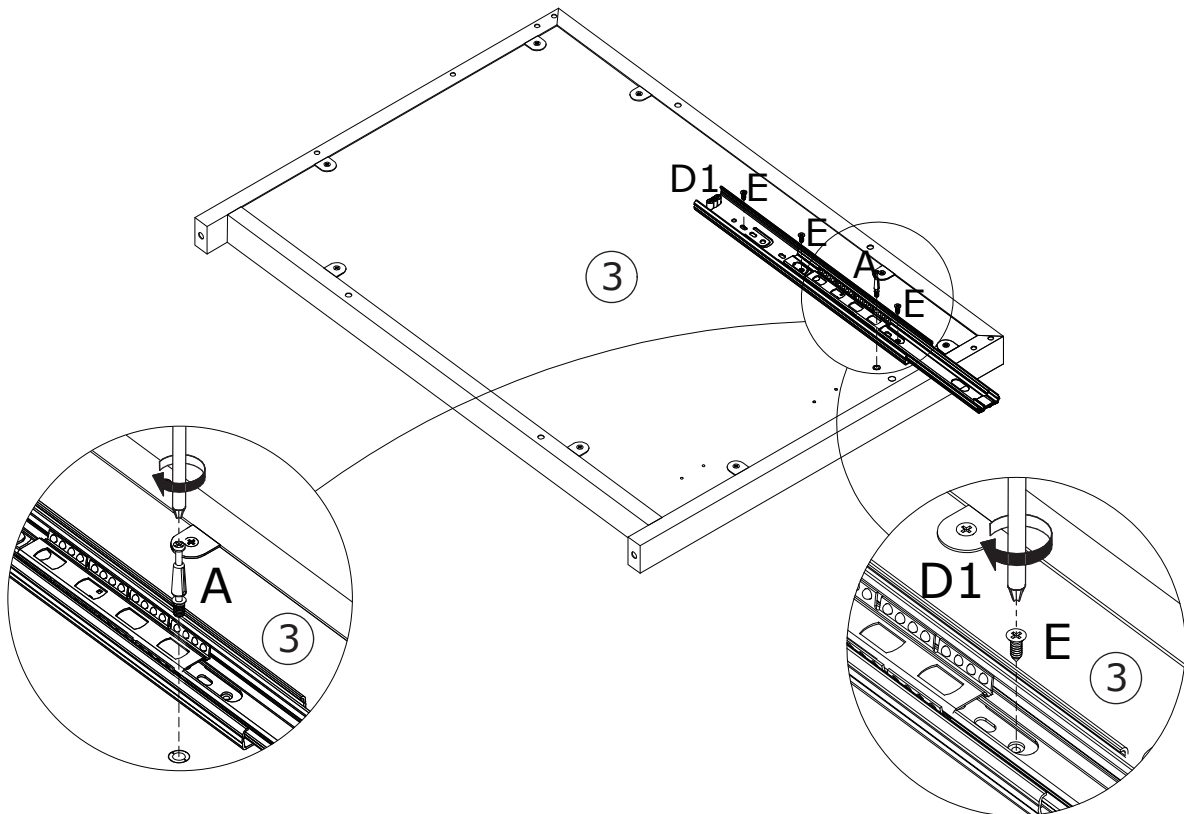
2



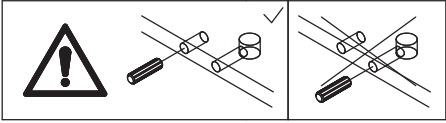
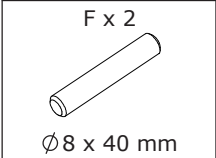
As shown in the figure, fix the sliding rail D1 to the side panels 3 with screw E.

Please pay attention to the screw hole positions for installing the sliding rail D1.

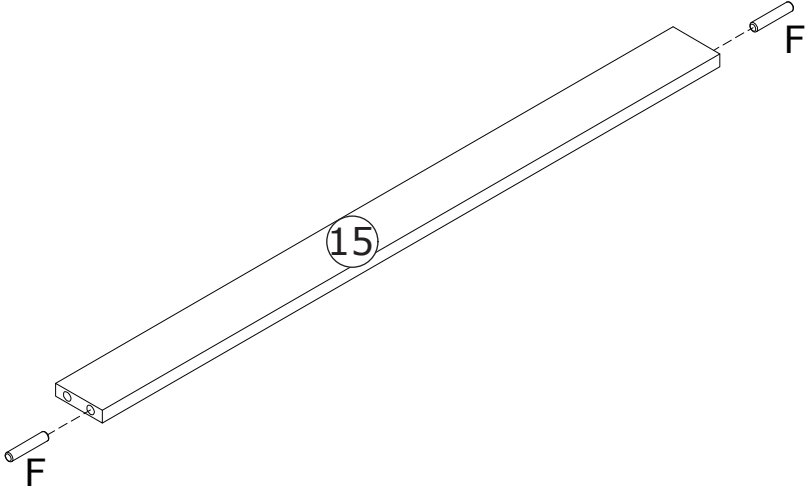
Then install screw A onto the side panels 3.



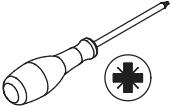
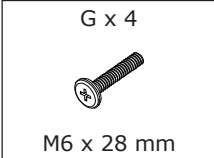
3



As shown in the figure, insert the wooden dowel F into the hole positions at both ends of the wooden board 15. Please be careful not to insert it into the wrong hole positions.

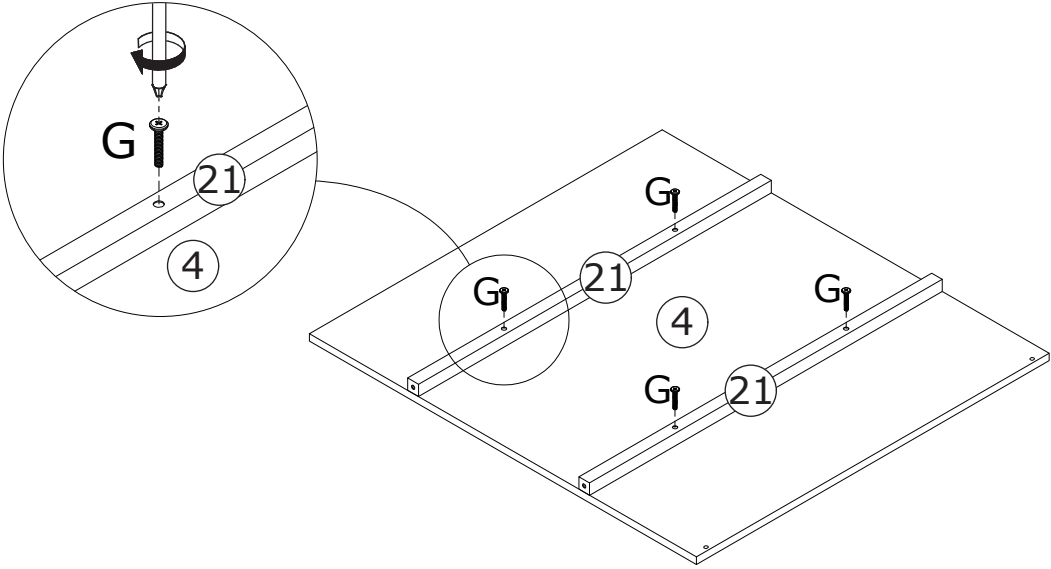


4




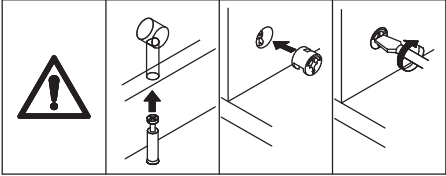
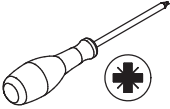
As shown in the figure, use screw G to fix the iron pipe 21 to the wooden board 4.

Please pay attention to the positional relationship between the installation direction of the iron pipe and the two holes on the wooden board 4.

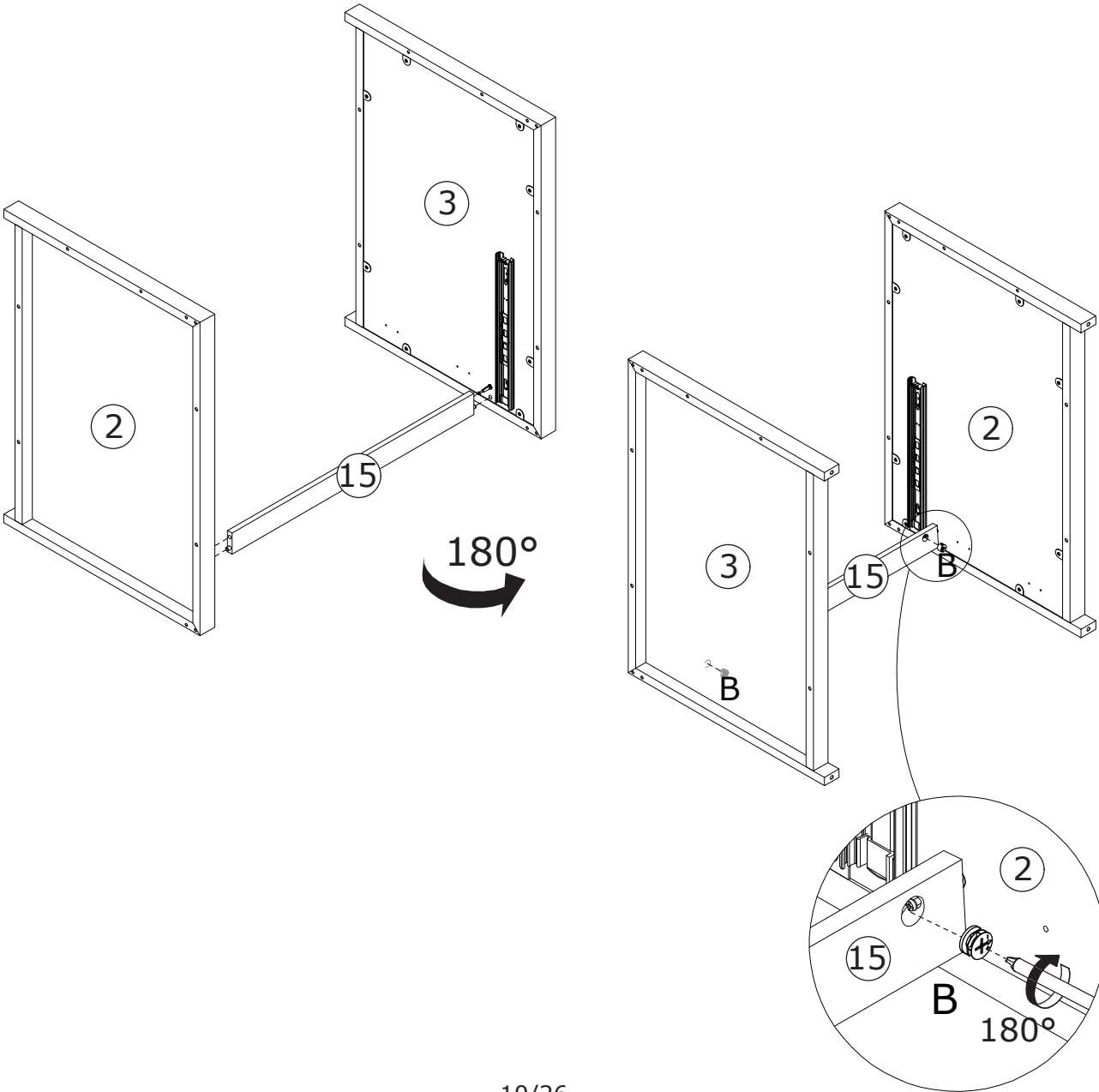


5

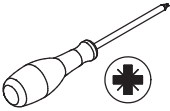
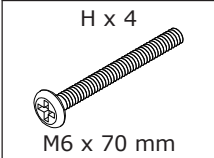
B x 2

Ø15 x 9.5 mm



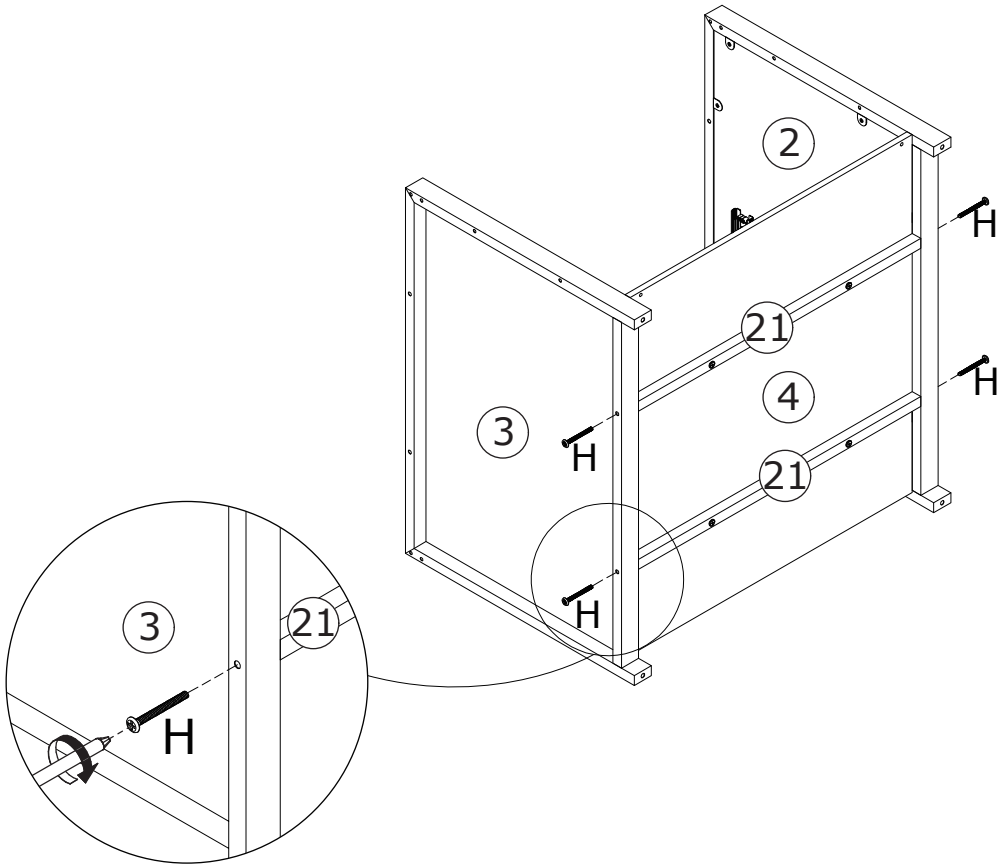
As shown in the figure, connect the wooden board 15 with the side panels 2 and 3, then insert screw B and tighten it.



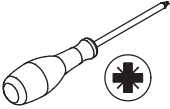
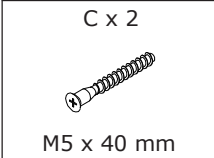
6



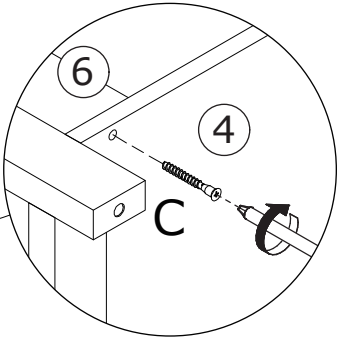
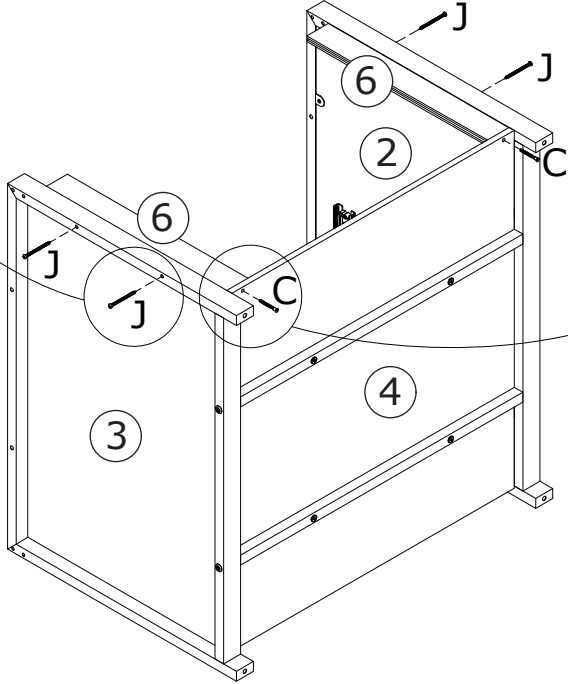
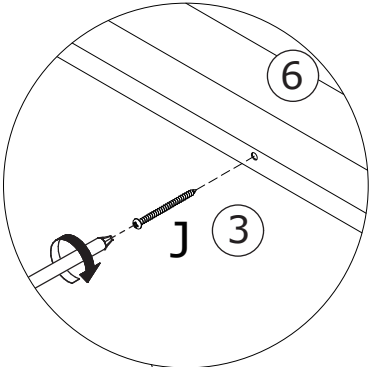
Finally, connect the wooden board 4 with the side panels 2 and 3 using screw H.



7



As shown in the figure, use screw J to connect the wooden board 6 to the side panels 2 and 3, and then fix it with screw C.

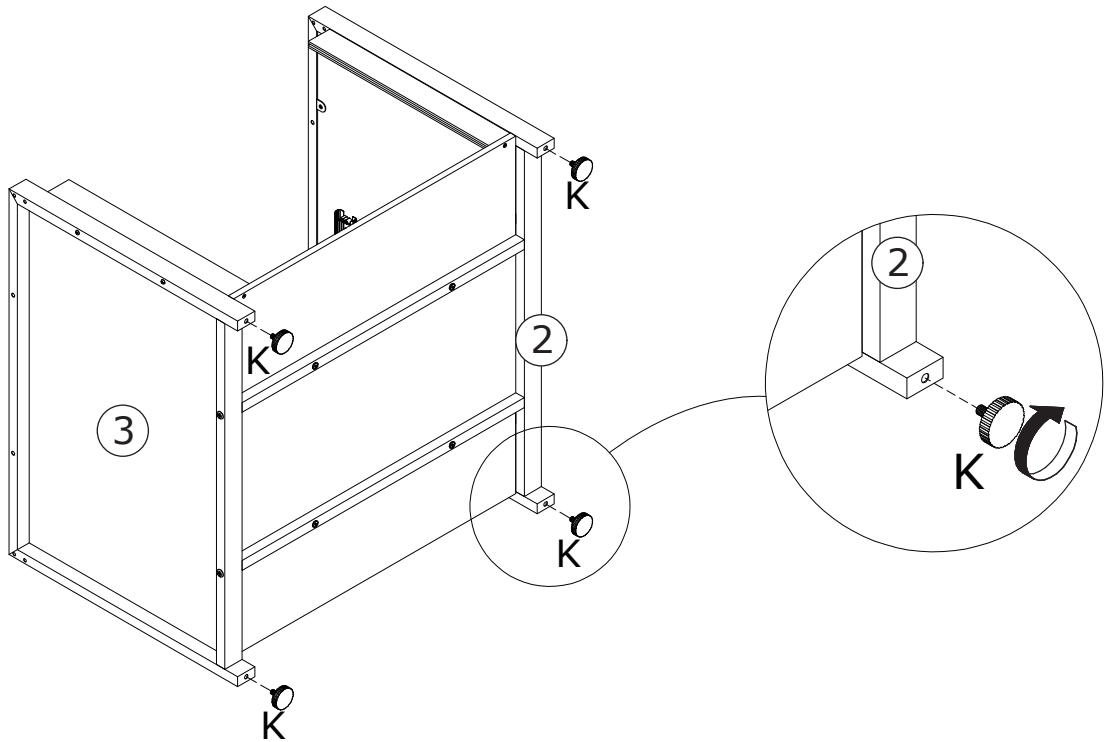


8

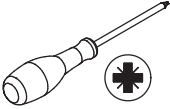
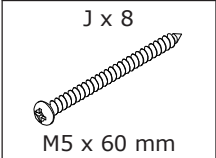
K x 4



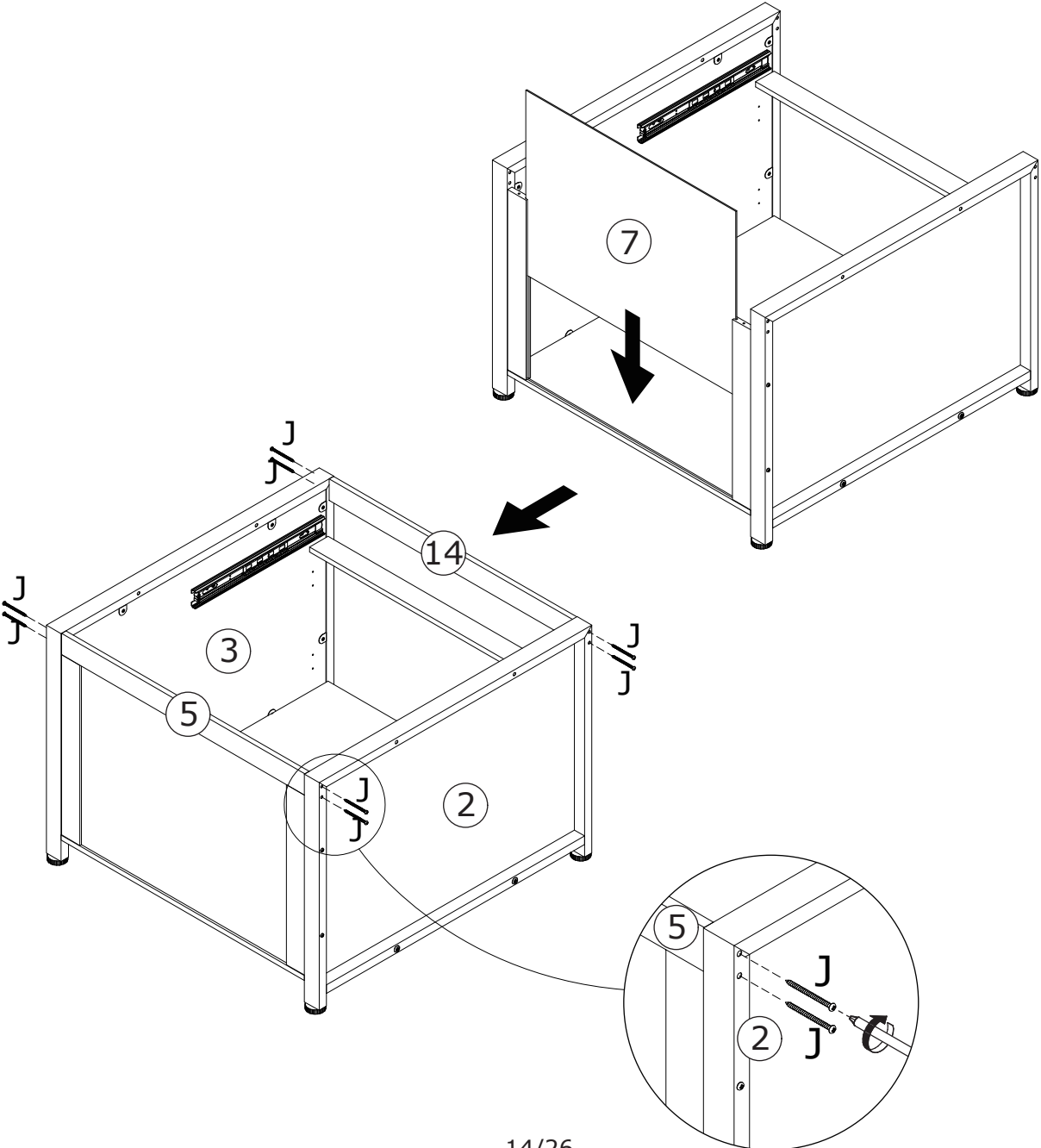
As shown in the figure, install the adjusting feet K on the side panels 2 and 3.



9



As shown in the figure, insert the wooden board 7 into the grooves of the wooden boards 4 and 6, and then connect and fix the wooden board 5 with the side panels 2 and 3 using screw J.

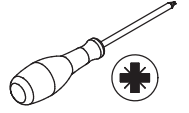


10

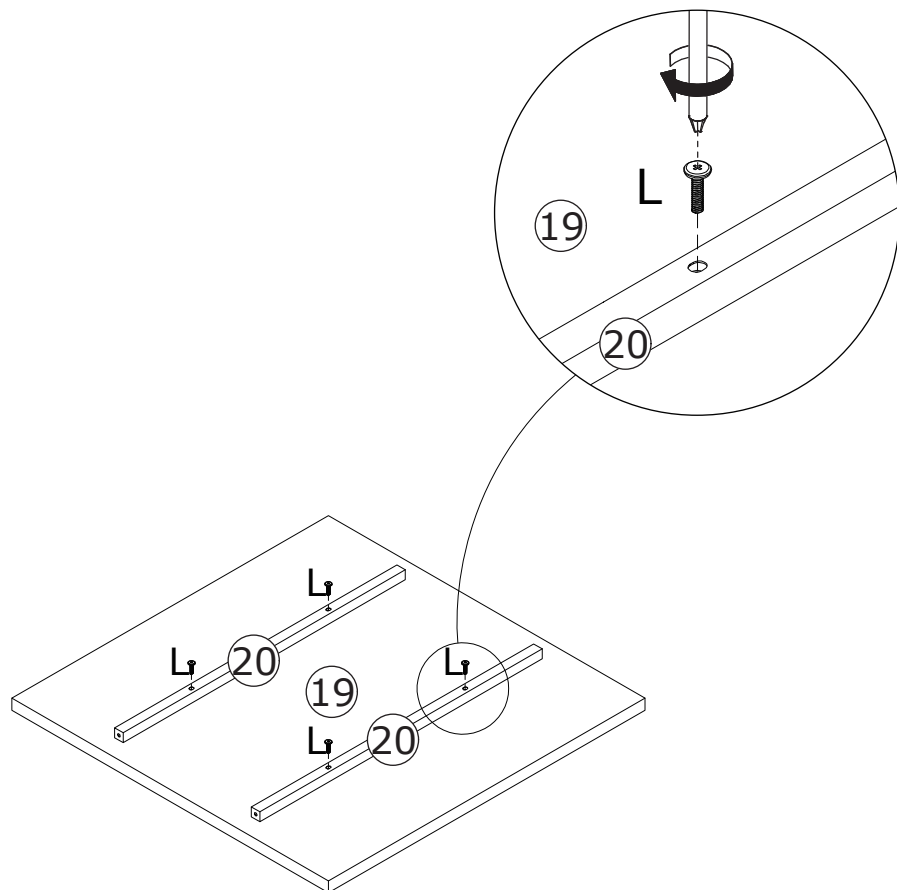
L x 4



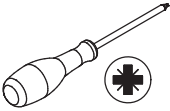
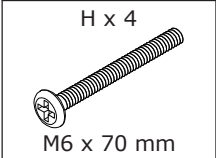
M6 x 16 mm



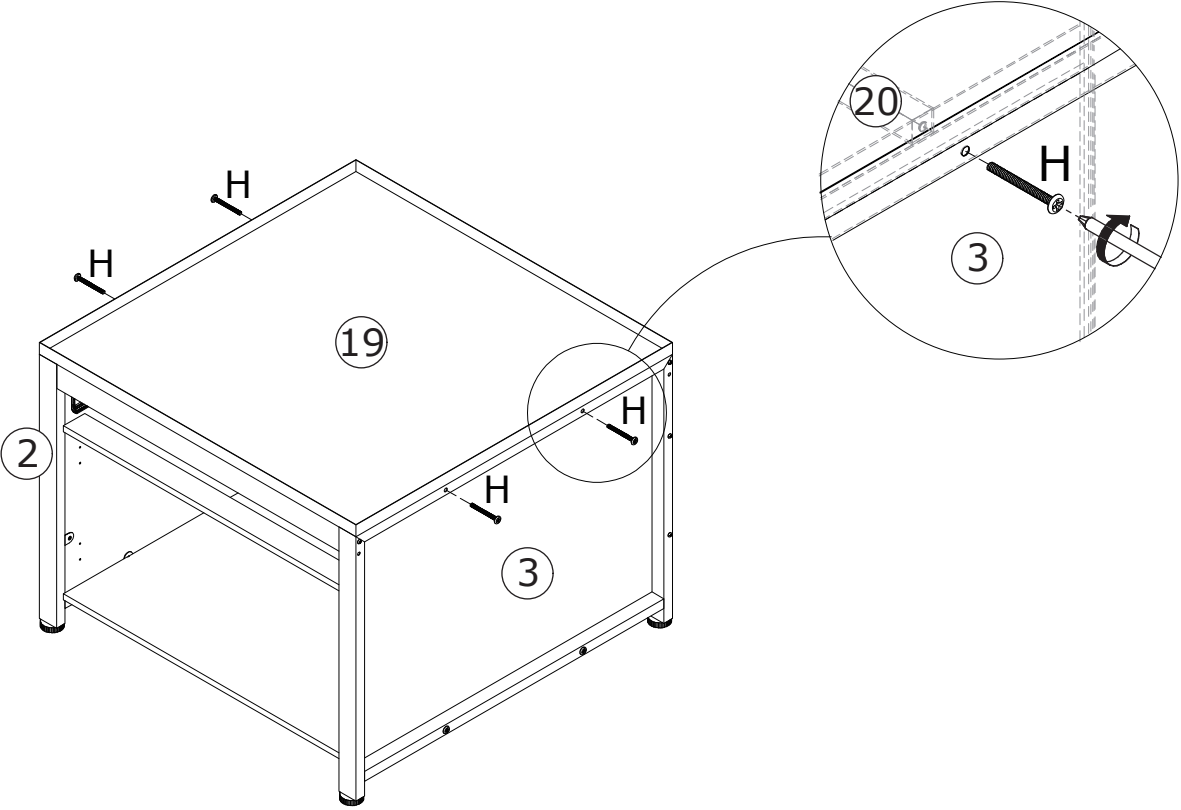
As shown in the figure, fix the iron pipe 20 to the iron basin 19 with screw L.



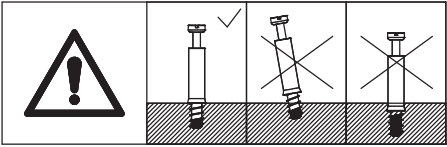
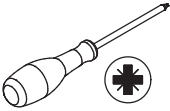
11



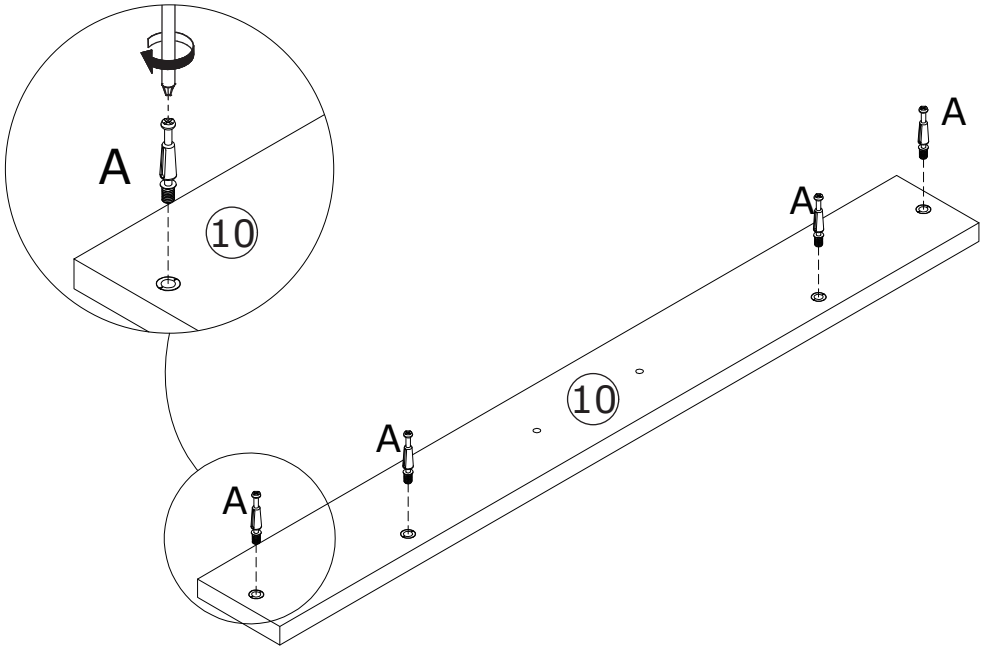
As shown in the figure, fix the side panels 2 and 3 to the iron pipe 20 with screw H.



12

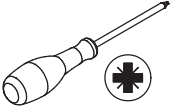


As shown in the figure, install screw A onto the wooden board 10.

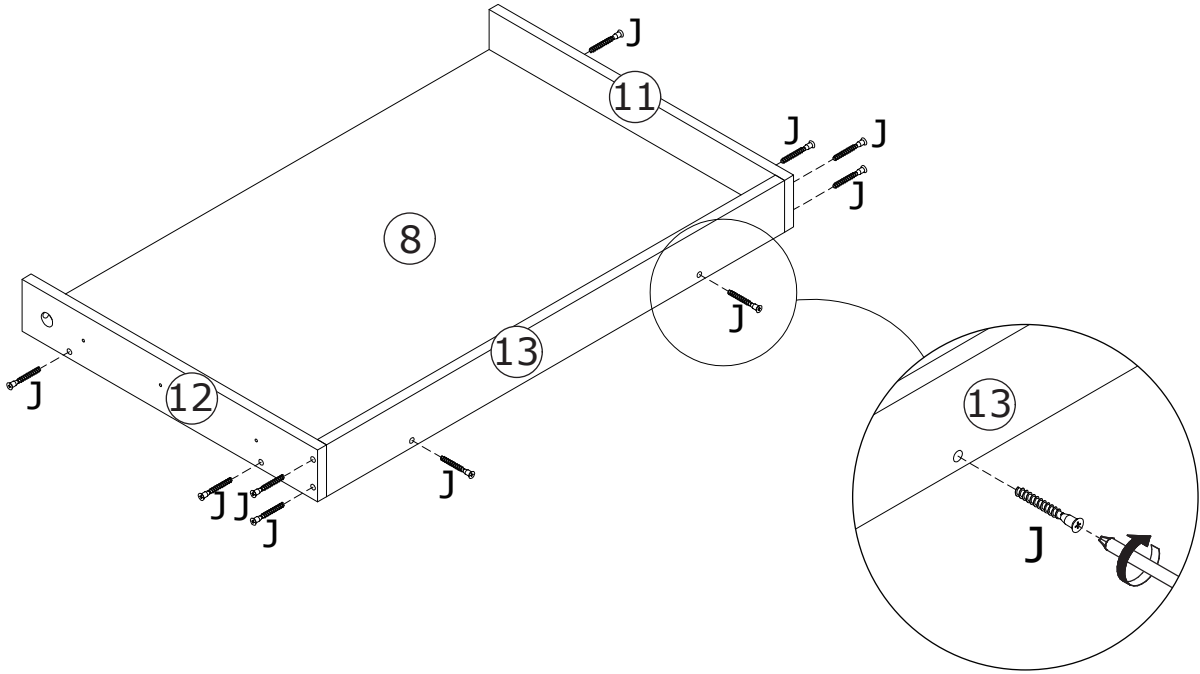


13

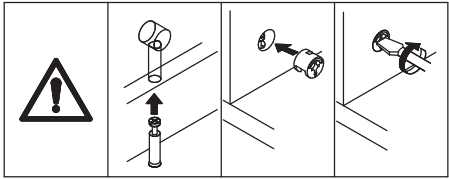
C x 10
M5 x 40 mm



Fix the wooden boards 8, 11, 12 and 13 into the shape as shown in the figure with screw J.



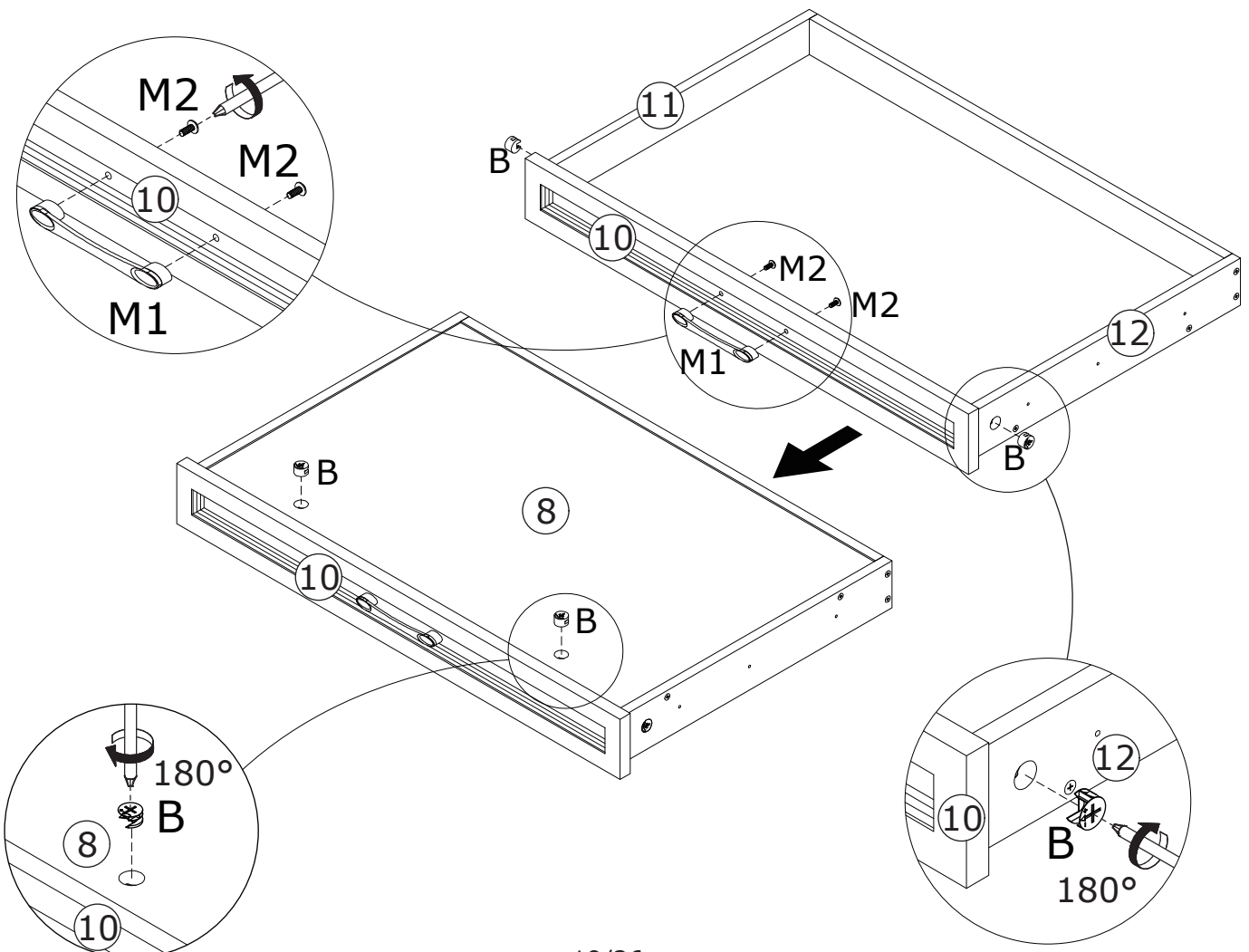
14



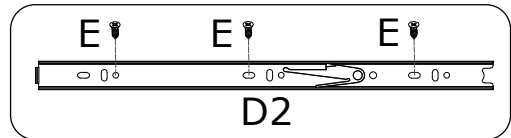
As shown in the figure, connect the wooden board 10 with the previously assembled components, then insert screw B and tighten it.

Then fix the handle M1 onto the wooden board 10 with screw M2.

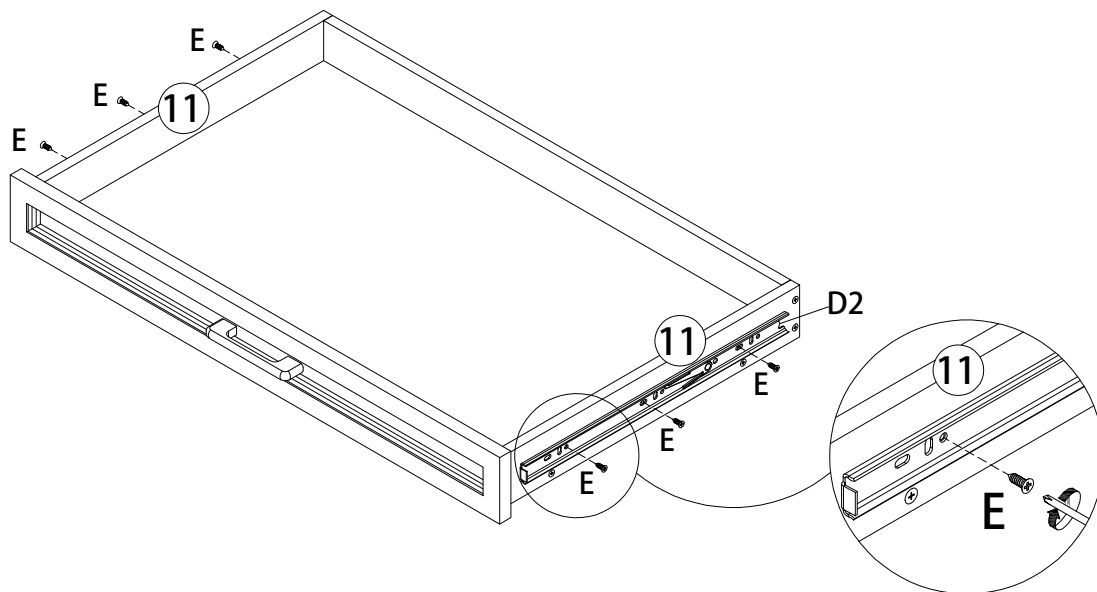
Finally, turn the drawer over, insert screw B into the holes on the wooden board 8 and tighten it.



15

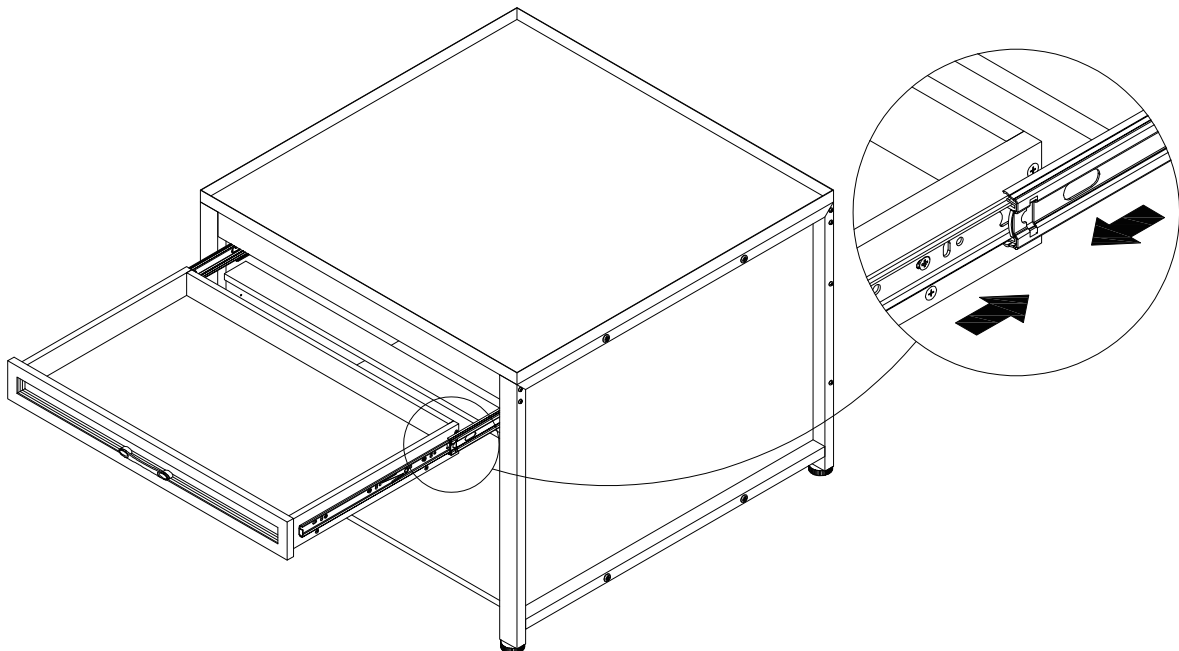


As shown in the figure, fix the sliding rail D2 to the wooden boards 11 and 12 with screw E.

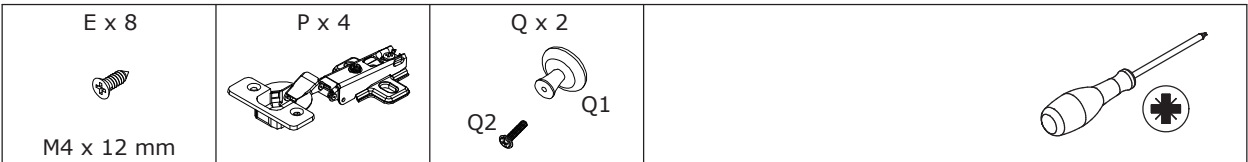


16

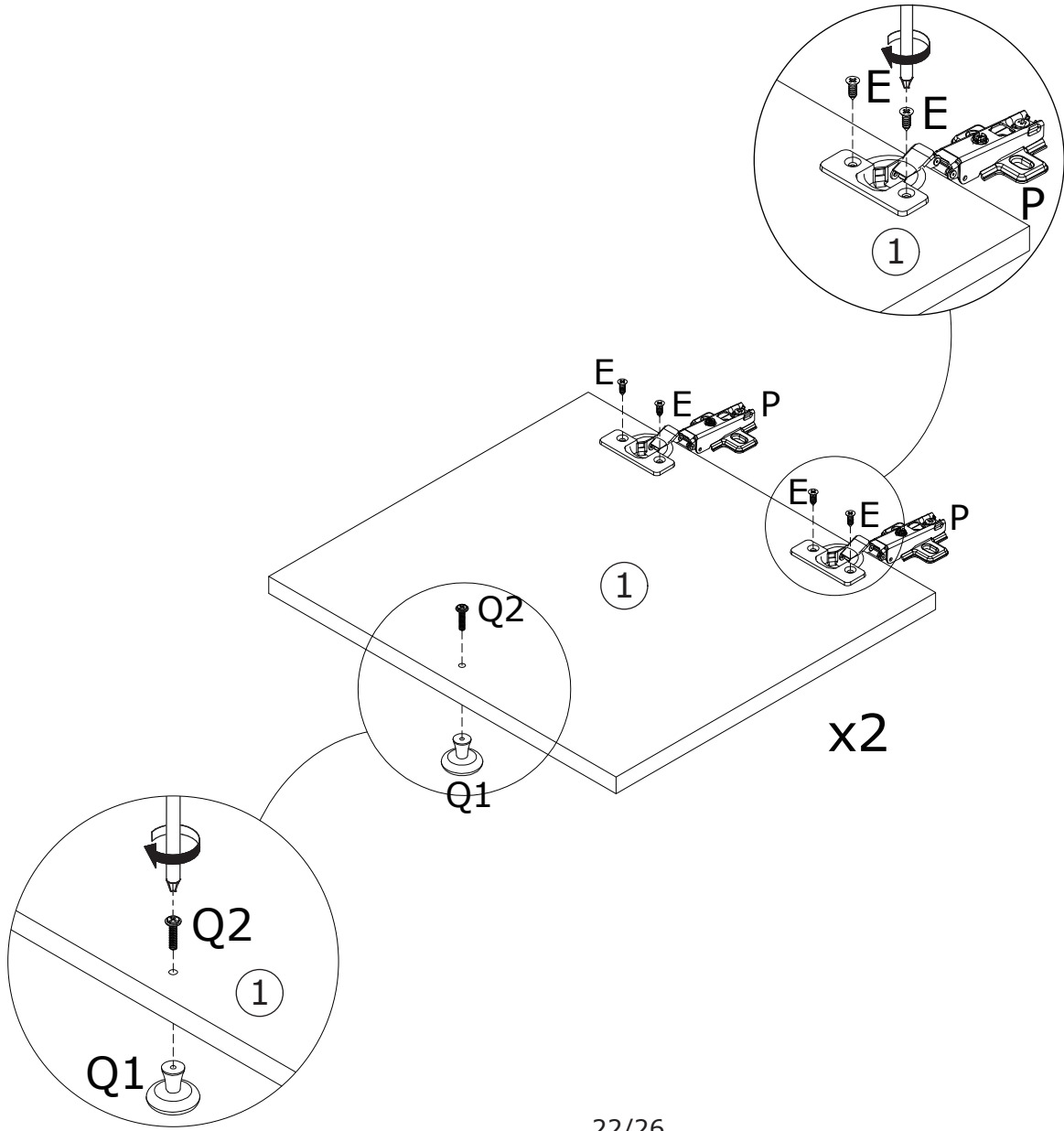
As shown in the figure, insert the assembled drawer sliding rail D2 into the previously installed sliding rail D1.



17



As shown in the figure, fix the hinge P to the wooden board 1 with screw E, and then fix the handle Q1 onto the wooden board 1 with screw Q2.

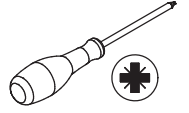


18

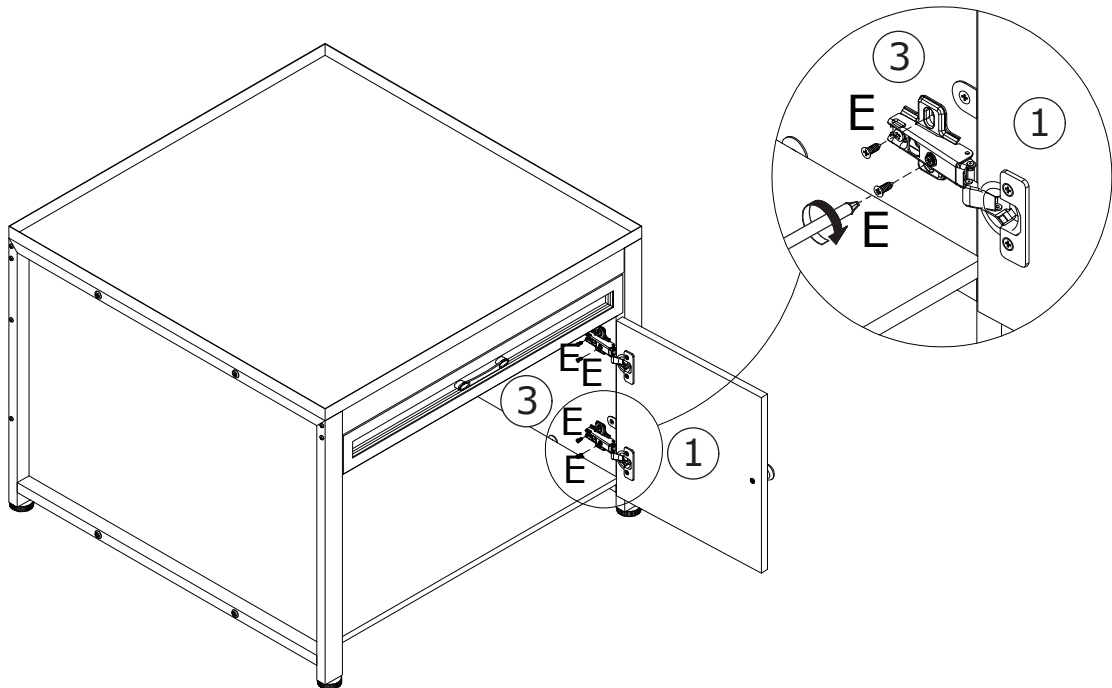
E x 4



M4 x 12 mm



As shown in the figure, fix the hinge P to the side panel 3 with screw E.

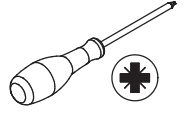


19

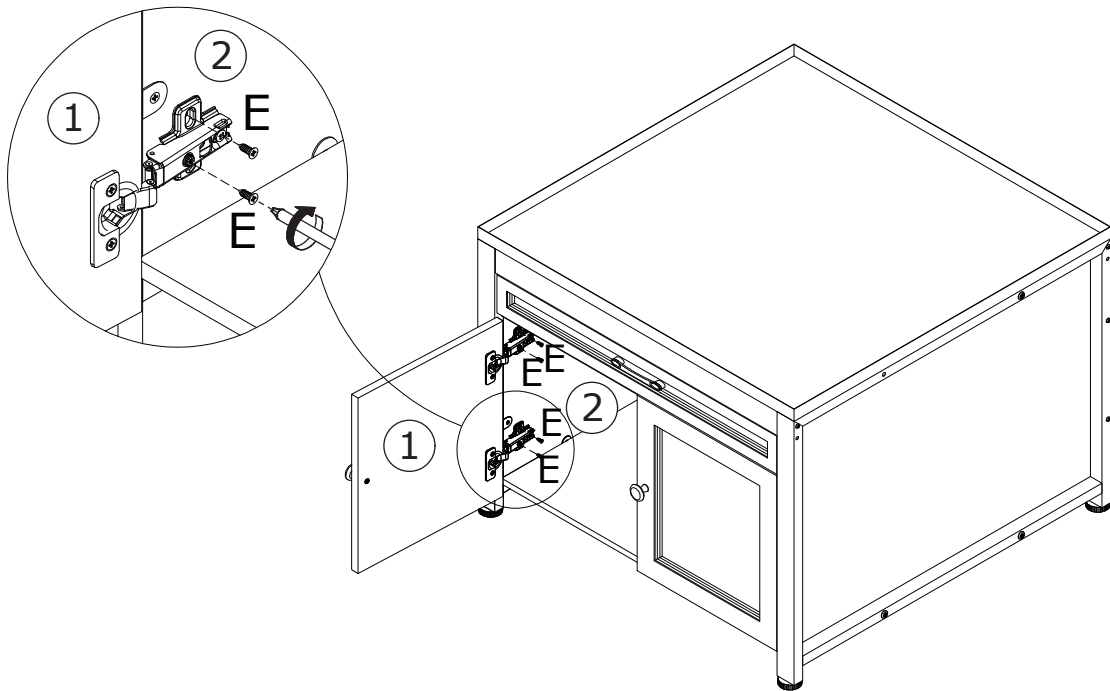
E x 4



M4 x 12 mm



As shown in the figure, fix the hinge P to the side panel 2 with screw E.

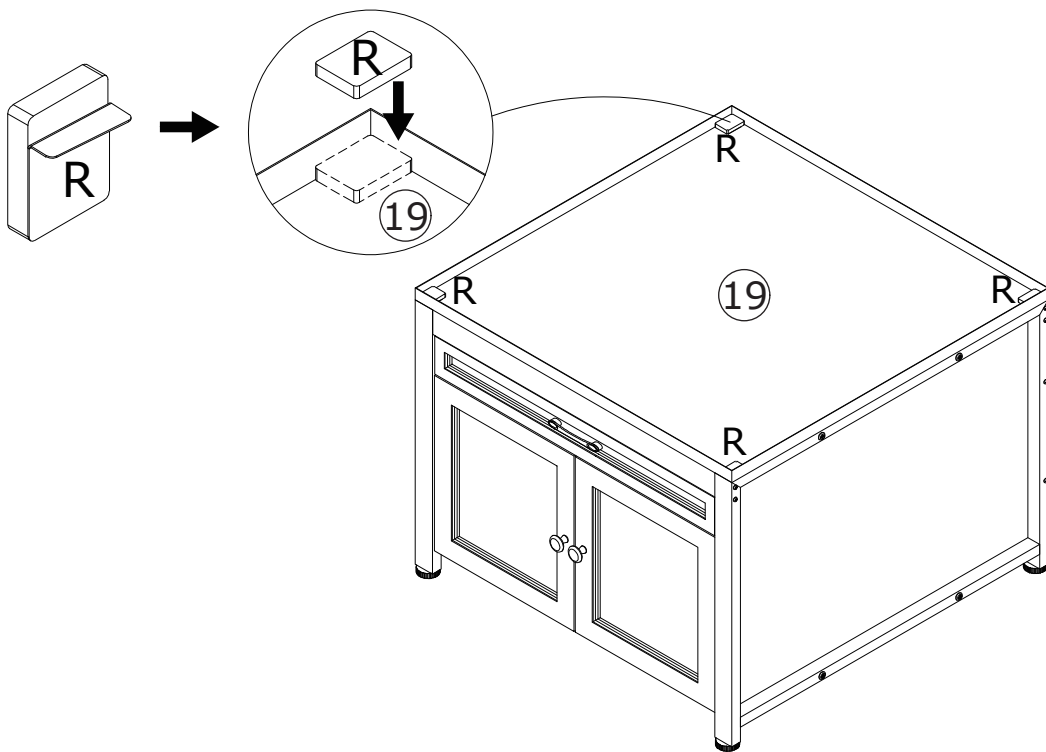


20

R x 4

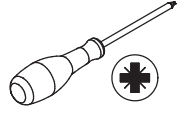


As shown in the figure, remove the paper from the accessory R, and then stick it onto the four corners of the iron basin 19.

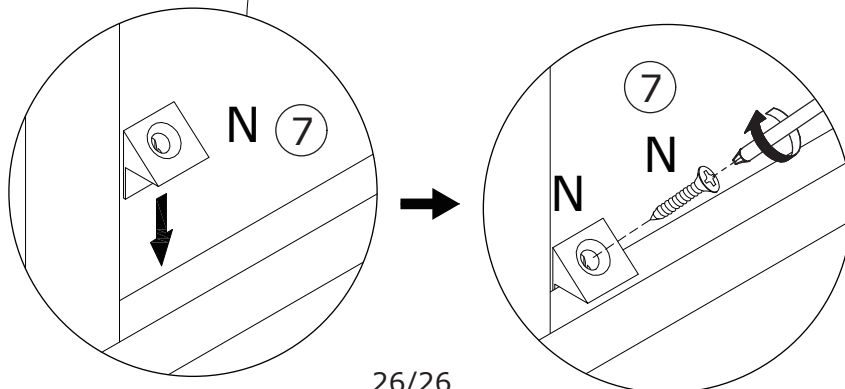
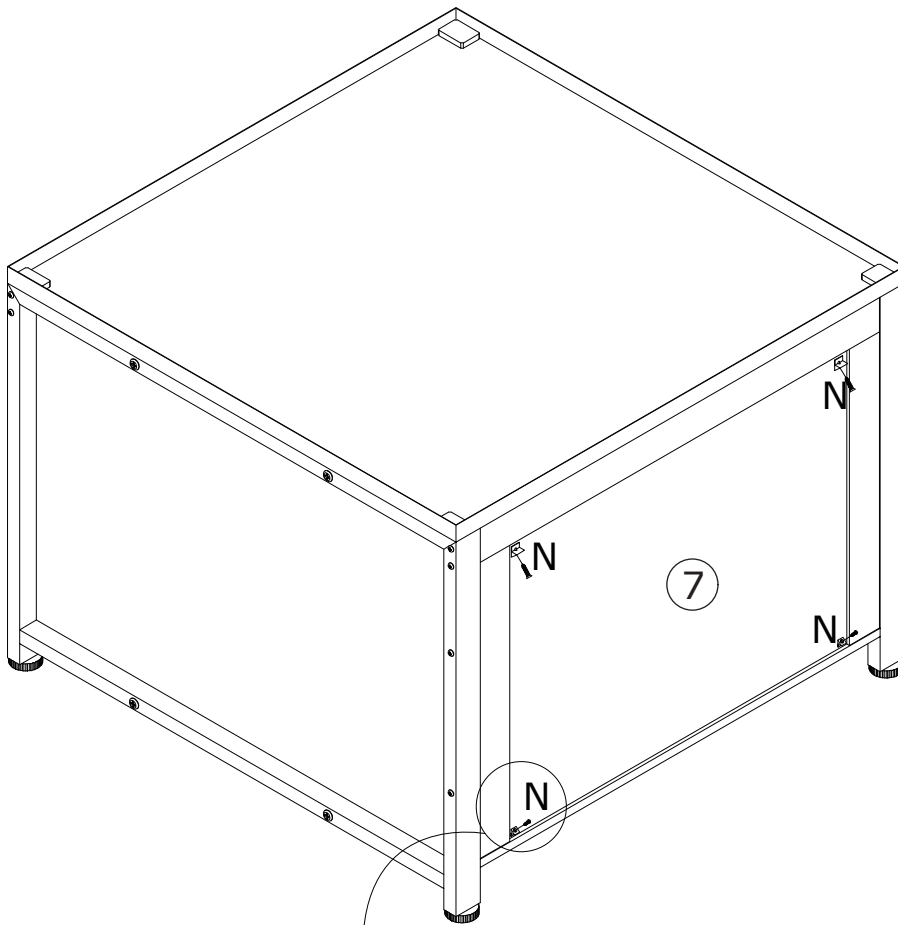


21

N x 4



As shown in the figure, fix the accessory N onto the four corners of the wooden board 7 with the screws that come with the accessory N.



WARRANTY

WARRANTY CLAIMS

- There is a 30-day warranty for broken furniture or any other problems that do not work properly. The warranty will start from the date of purchase which must be verified by proof of purchase.
- Before making a claim, we may be able to answer your query, simply call us. Please leave your purchase order number, along with some details of the problem, if you want a replacement part. We will arrange within 48 hours. If there is out of stock, we will reply with a shipping date.
- The product must be used in accordance with the instructions provided. For health reasons.
- For other reasons, if the furniture needs to be returned, it must be cleaned and dried and operated within 30 days of receipt.

Type of Warranty Claim

- Failure to follow the furniture instructions will invalidate the warranty. Attention please.
- Does not include damage during installation, but includes damage during transportation.

Scope of responsibility

- Shall not bear any responsibility for misuse or user damage and / or loss of parts during the installation of furniture.
- After using, the damage and scratches of the furniture are not covered by the warranty.

The Warranty Relates to All Bought in The Us and Covers The Following Areas

- Sheet parts: 1 month from the date of purchase.
- Electrical parts: 1 month from the date of purchase.

RETURNS

CHANGED YOUR MIND AND NEED TO RETURN YOU ITEM?

PLEASE FOLLOW THE BELOW INSTRUCTIONS:

- If you have purchased and have simply changed your mind, follow the retailer's instructions for returns.

DEFECTIVE ITEMS

- If your item is defective in any way, i.e. it doesn't work but you can't identify why, in the first instance, please call us.

DAMAGED ITEMS

- If you receive an order with obvious shipping damage from the retailer, then we suggest the delivery is refused. If the delivery has been accepted and then shipping damage is found, please follow the specific instructions advised by the retailer.
In all circumstances please save all packaging material and paperwork for the order. Please be aware that if you dispose of packaging material or attempt to return the merchandise without contacting the fulfiller, you jeopardise your chances of making a claim, and you may not receive a credit for the return.

AFTER-SALES CONTACT



adelahu@fufugaga.com



208-820-0068