

Instruction Manual

Please save this manual for future reference.








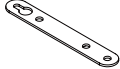
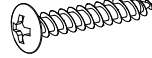


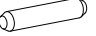

Product Name:	Bathroom Wall Storage Cabinet in White
----------------------	--

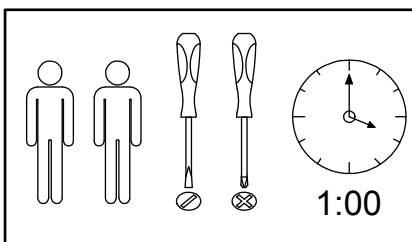
Thank you for purchasing this product. This product has been manufactured with the highest standards of safety and quality.

PLEASE READ ALL INSTRUCTIONS BEFORE ASSEMBLY.

Unpack all parts from Styrofoam and bubble wrap inside the carton to ensure there are no missing or damaged parts. If any parts are missing or damaged, do not attempt to assemble or use the product.

Hardware:

①×10	②×10	③×2	④×12 (φ 4x12mm)	⑤×1	⑥×1
					
⑦×6	⑧×2	⑨×6	⑩×2	⑪×4	⑫×20
 (φ 3x15mm)					
⑬×15					
 (φ 2.5x10mm)					



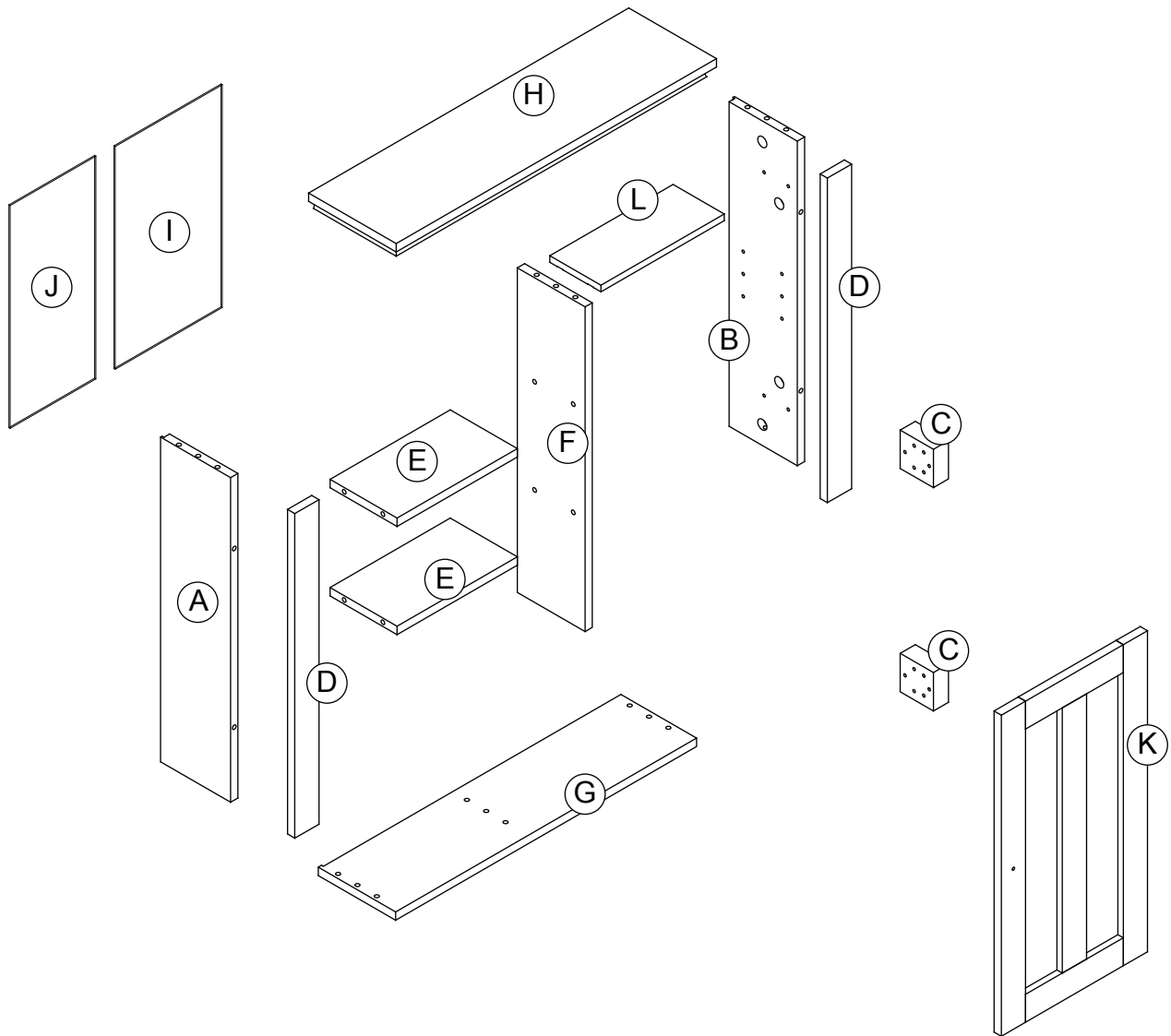
Tools required for assembly: Philips screwdriver and Flathead Screwdriver (if using power tools, use with care)

Instruction Manual

Please save this manual for future reference.

Product Name:	Bathroom Wall Storage Cabinet in White
----------------------	--

Panels:



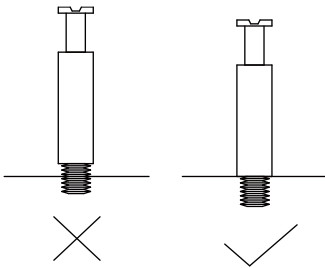
Instruction Manual

Please save this manual for future reference.

Product Name:	Bathroom Wall Storage Cabinet in White
----------------------	--

Step 1

Make sure the pins are installed correctly as shown with the “check mark” below:



Below shows how the pins are used to assemble the panels together.

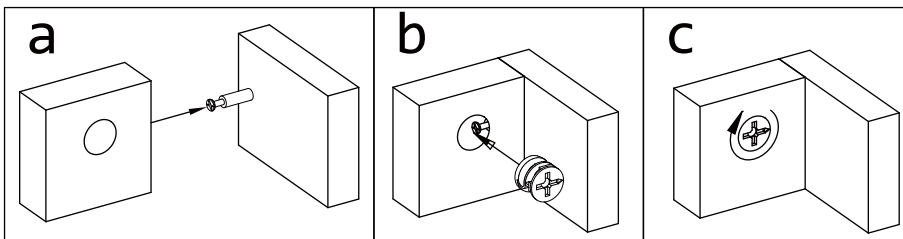


FIGURE A

1 ×4
2 ×4
9 ×4

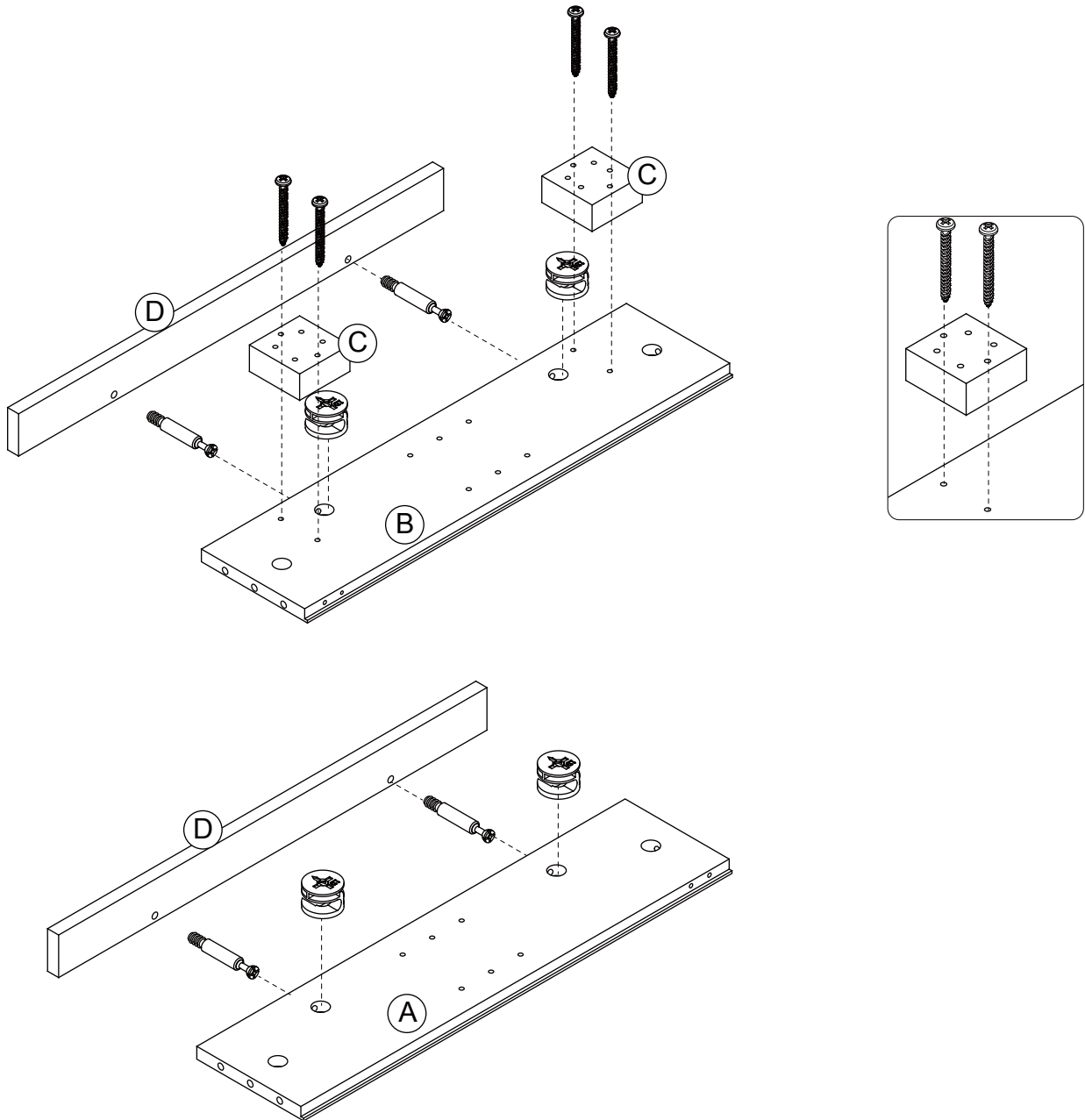
The above image shows the hardware needed for Step 1.

Instruction Manual

Please save this manual for future reference.

Product Name:	Bathroom Wall Storage Cabinet in White
----------------------	--

Assemble the base of the cabinet (best to prepare on an open flat (soft) surface):
Insert pins (1) and lock screws (2) as shown in **Figure A**.



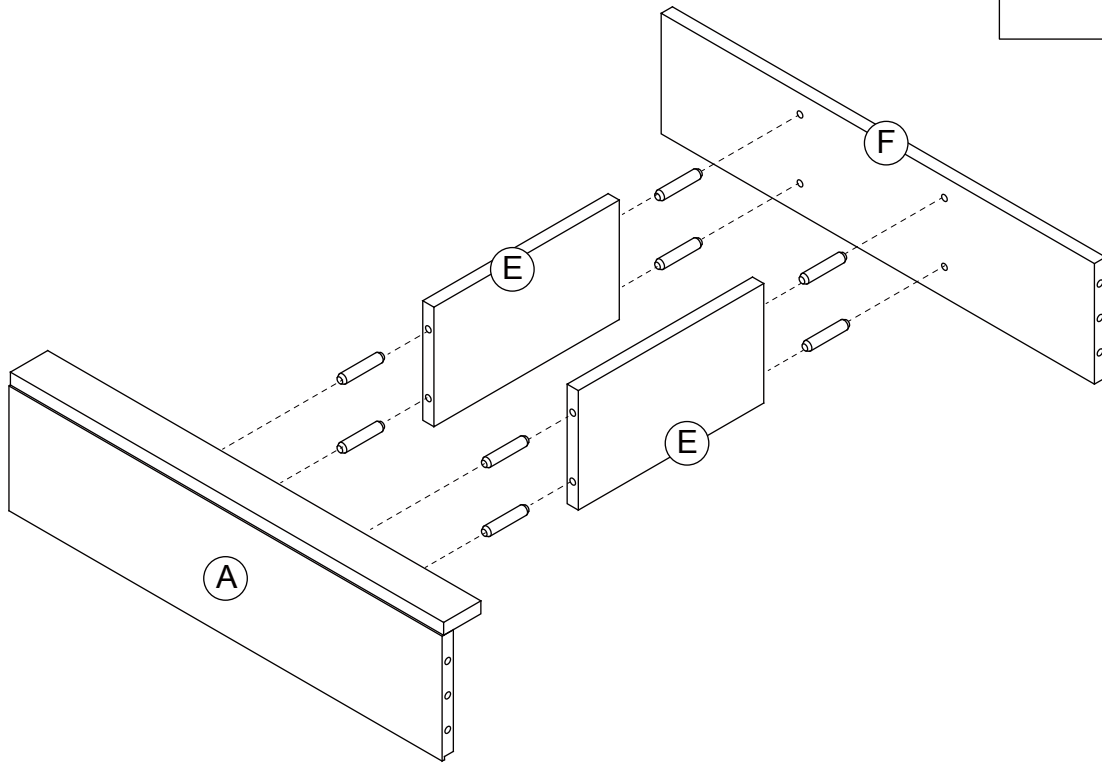
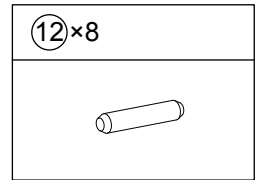
Instruction Manual

Please save this manual for future reference.

Product Name:	Bathroom Wall Storage Cabinet in White
----------------------	--

Step 2

Assemble shelves (E and F) as shown below. These shelves are not adjustable.



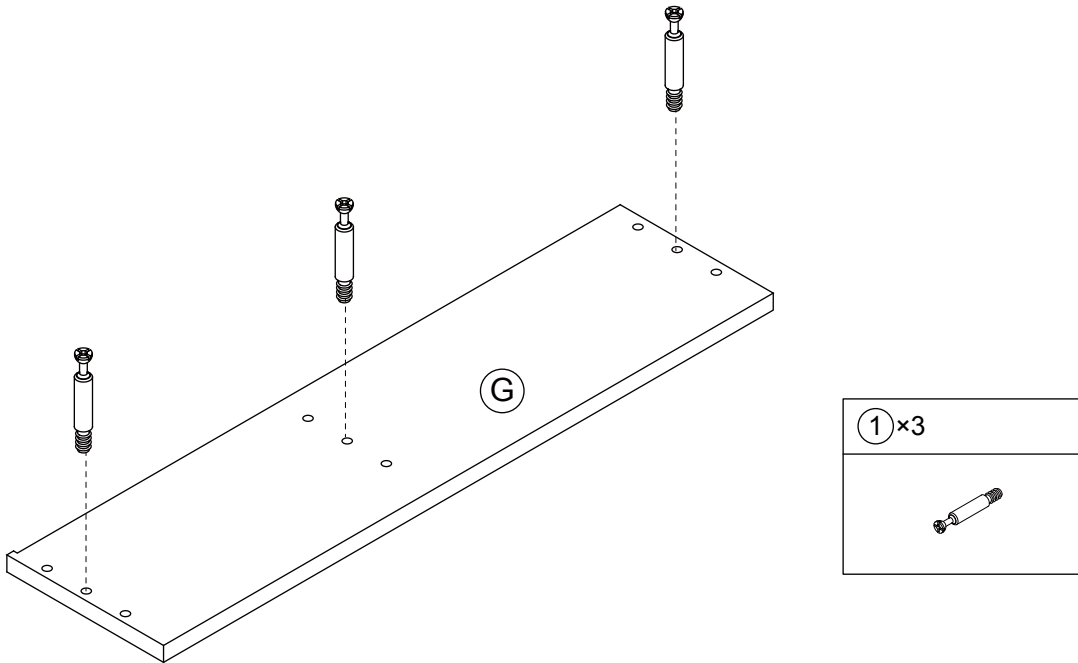
Instruction Manual

Please save this manual for future reference.

Product Name:	Bathroom Wall Storage Cabinet in White
----------------------	--

Step 3

Repeat Step 1 for panels G. Refer to **Figure A** for assembly guide for inserting pins and locknuts.



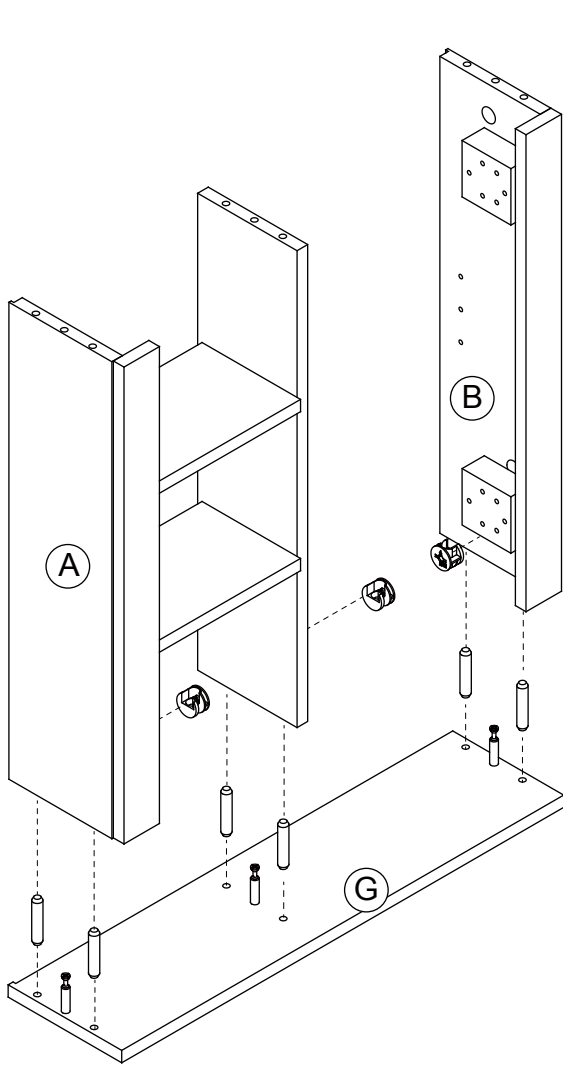
Instruction Manual


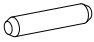
Please save this manual for future reference.

Product Name:	Bathroom Wall Storage Cabinet in White
----------------------	--

Step 4

Assemble shelf (G) as shown below.



②×3

⑫×6


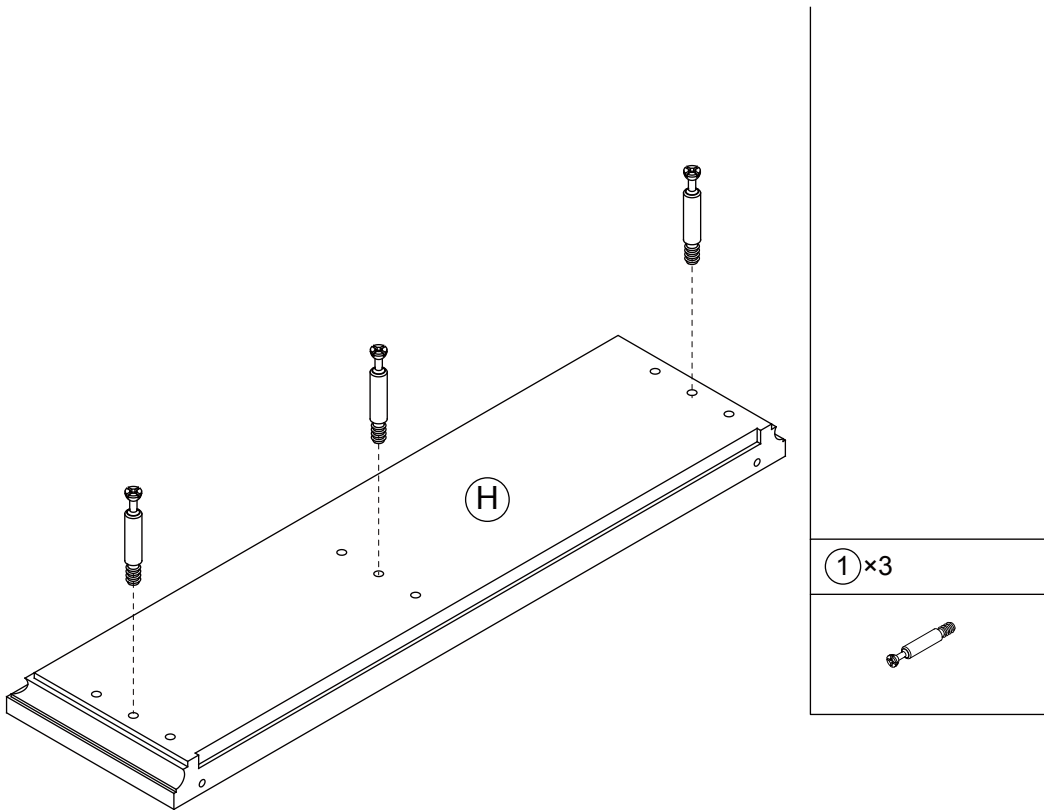
Instruction Manual

Please save this manual for future reference.

Product Name:	Bathroom Wall Storage Cabinet in White
----------------------	--

Step 5

Add pins to the bottom of panel top H.



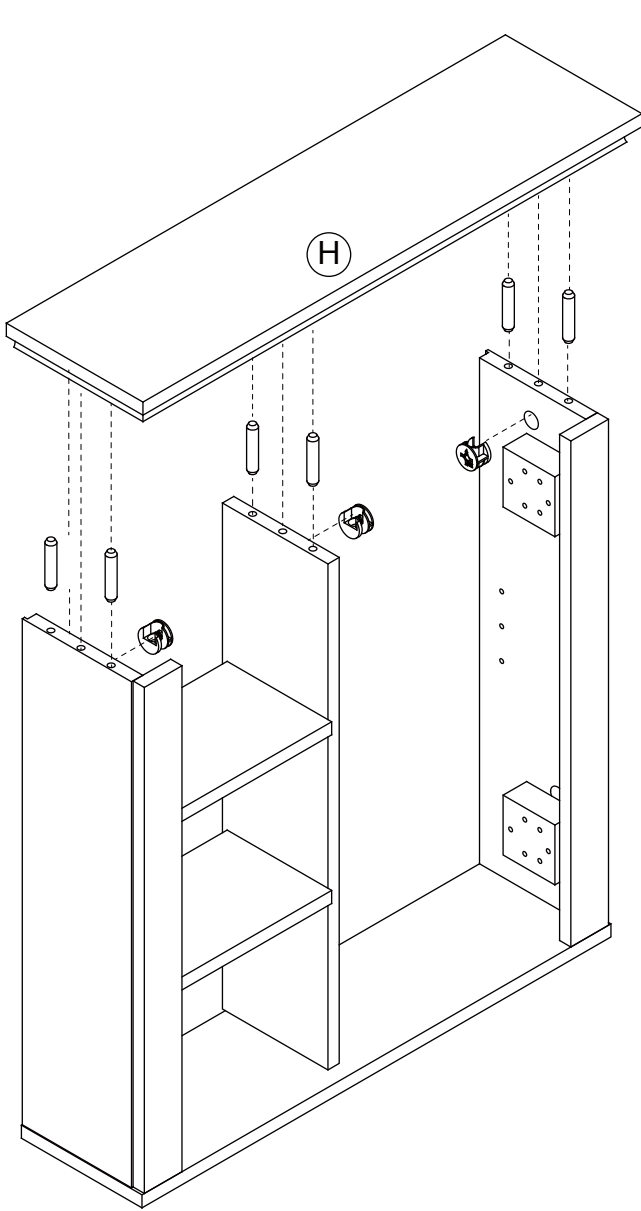
Instruction Manual



Please save this manual for future reference.

Product Name:	Bathroom Wall Storage Cabinet in White
----------------------	--

Step 6

Assemble the top of the cabinet (H) to the top portion of the cabinet (assembled panels A and B).



②×3

⑫×6


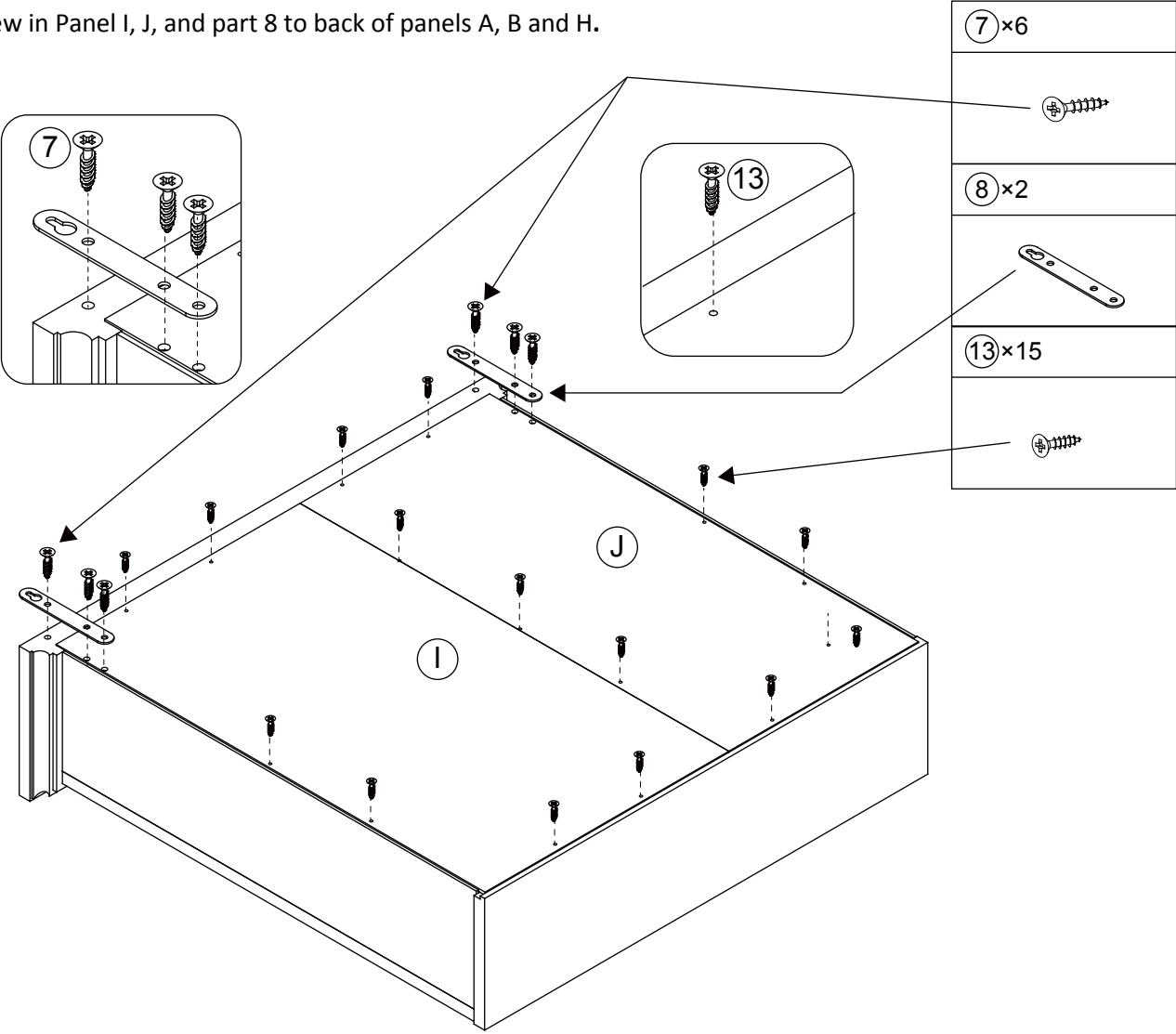
Instruction Manual

Please save this manual for future reference.

Product Name:	Bathroom Wall Storage Cabinet in White
----------------------	--

Step 7

Screw in Panel I, J, and part 8 to back of panels A, B and H.



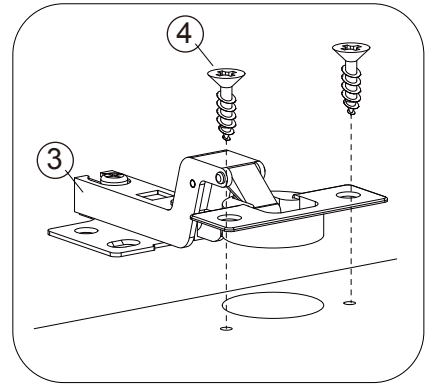
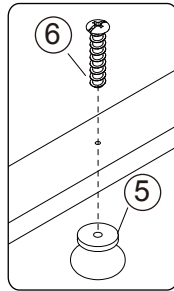
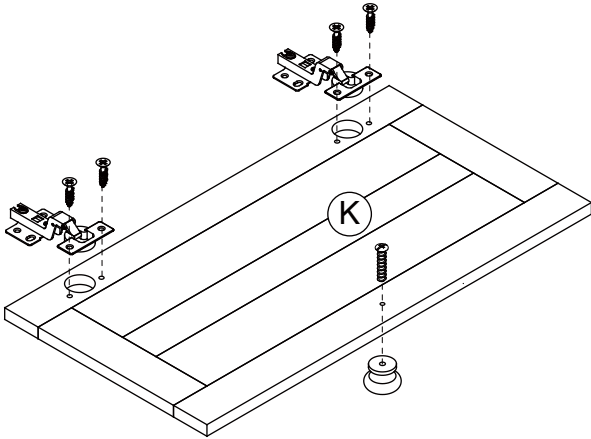
Instruction Manual

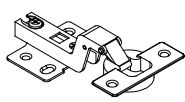
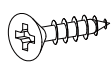
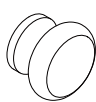
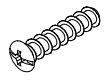
Please save this manual for future reference.

Product Name:	Bathroom Wall Storage Cabinet in White
----------------------	--

Step 8

Assemble the hinges and door knob to the door K.



③ × 2	④ × 4	⑤ × 1	⑥ × 1
			

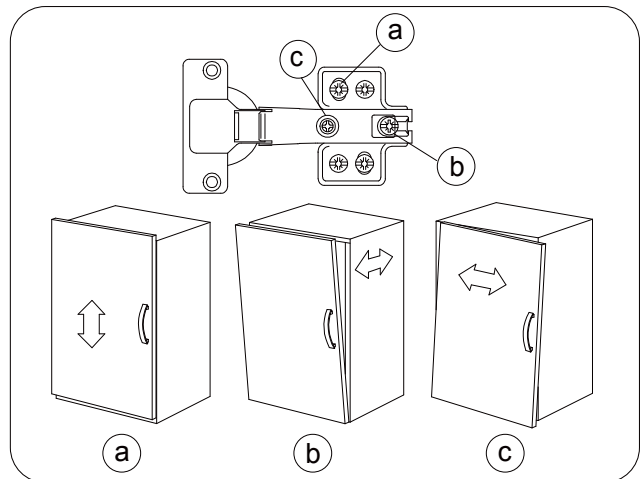
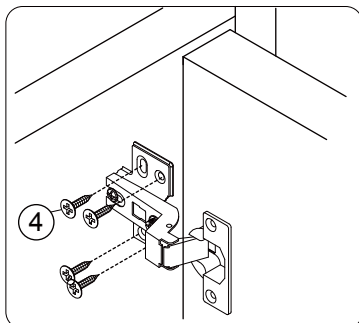
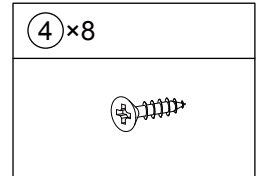
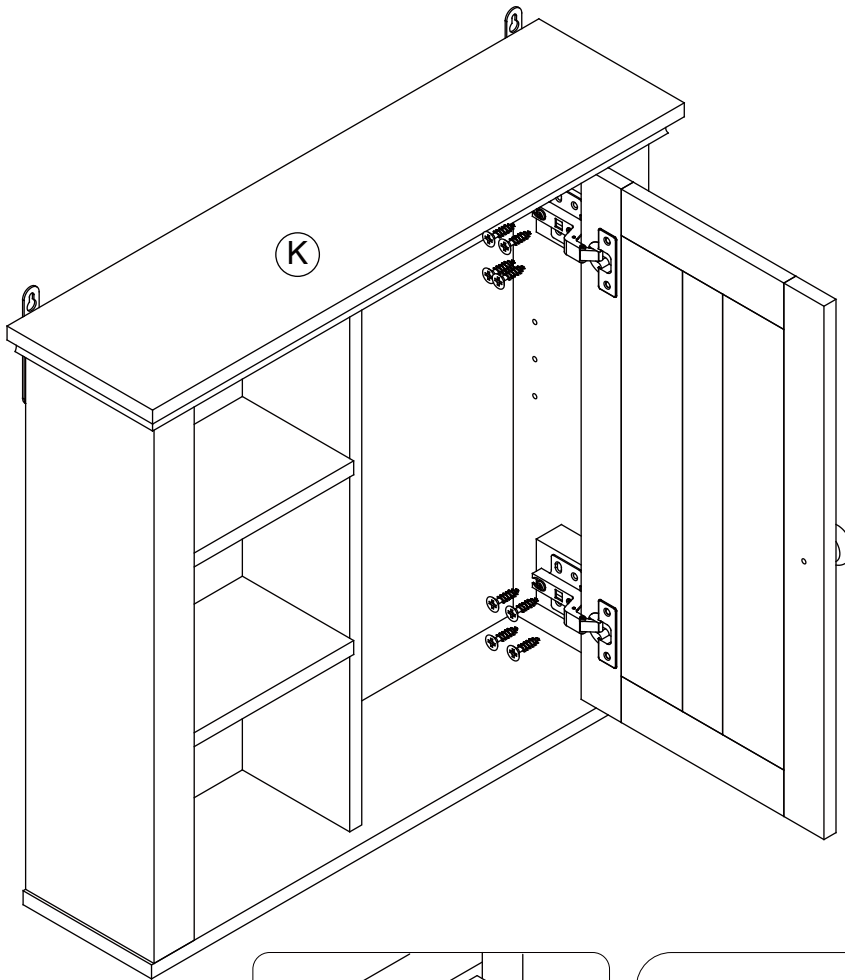
Instruction Manual

Please save this manual for future reference.

Product Name:	Bathroom Wall Storage Cabinet in White
----------------------	--

Step 9

Assemble the door to the cabinet (door opens to the right).



Instruction Manual

Please save this manual for future reference.

Product Name:	Bathroom Wall Storage Cabinet in White
----------------------	--

Step 10

Right Shelf (enclosed storage area) is adjustable, and may be placed in a few options on the closed storage side. First install the brackets (#11) inside the cabinet for where you want the shelf. To insert shelf into the cabinet, tilt it at angle first to get it into the cabinet.

Next, you are ready to install the cabinet on the wall.

Installation Tips

Measure the distance between the hanging hardware on the cabinet using a measuring tape.

Locate the stud in the wall or joist in the wall where you plan to mount the storage cabinet. Use a stud finder or tap the wall lightly with a hammer. A solid thud indicates a stud, while a hollow sound means no stud is present.

Mark the storage cabinet hardware measurement on the wall with a pencil. When possible, all bolts used to mount the storage cabinet should be in a stud.

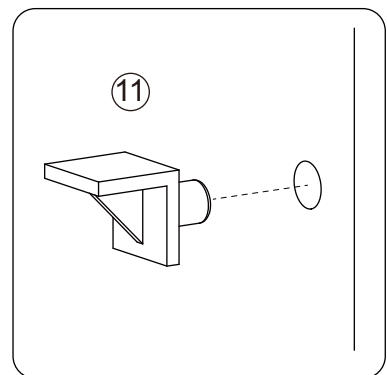
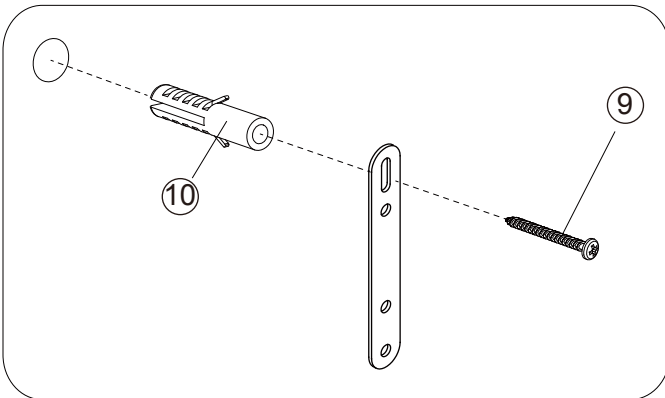
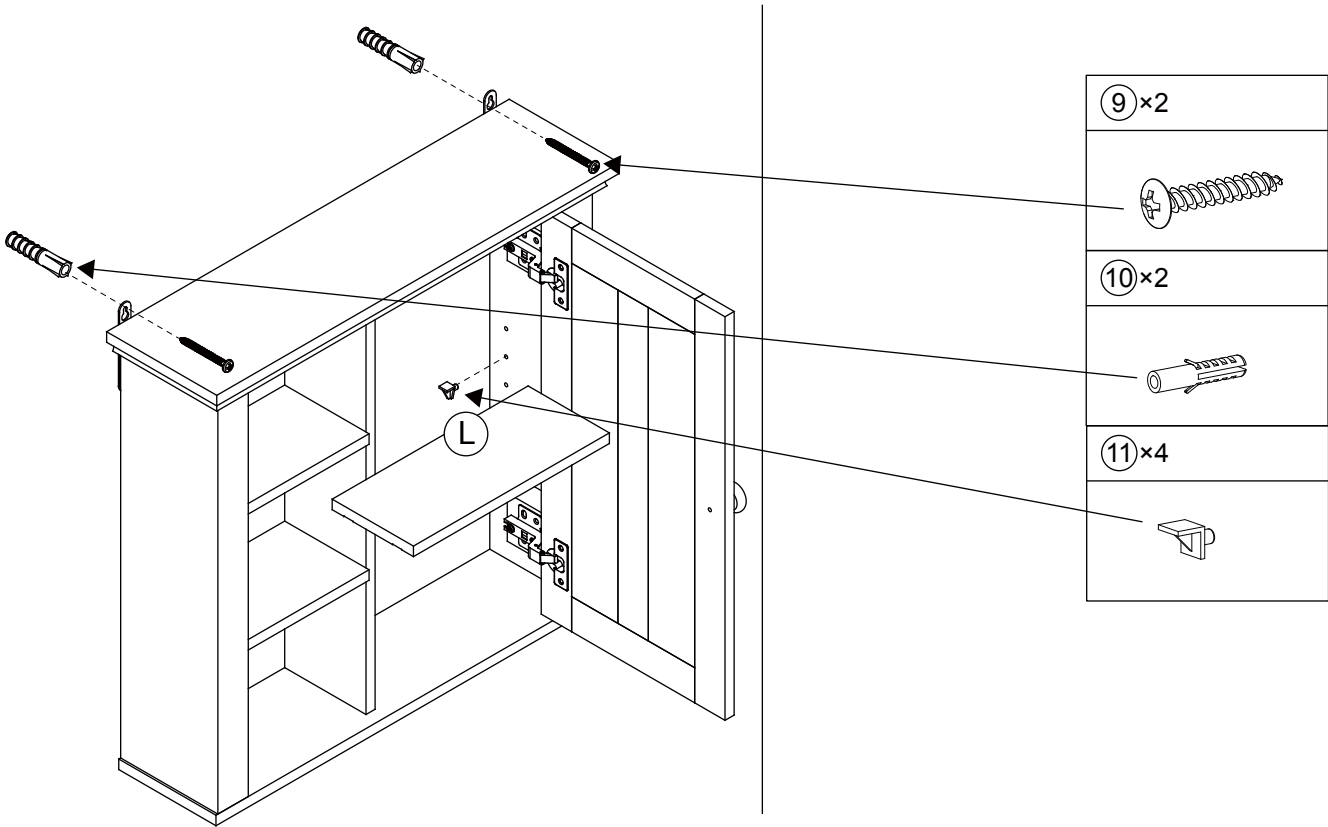
Drill a pilot hole through the drywall and into the stud at the marked location. Use a drill bit one size smaller than the mounting screws.

Drill a hole slightly larger than a toggle bolt for any mounting screws that won't be located in the stud. Toggle bolts have a metal sheath that opens like wings. These wings anchor the screw when no stud is present and can support loads of 25 pounds or more without damaging the wall.

Instruction Manual

Please save this manual for future reference.

Product Name: Bathroom Wall Storage Cabinet in White



Instruction Manual

Please save this manual for future reference.

Product Name:	Bathroom Wall Storage Cabinet in White
----------------------	--

Assembled Cabinet Line Drawing:

