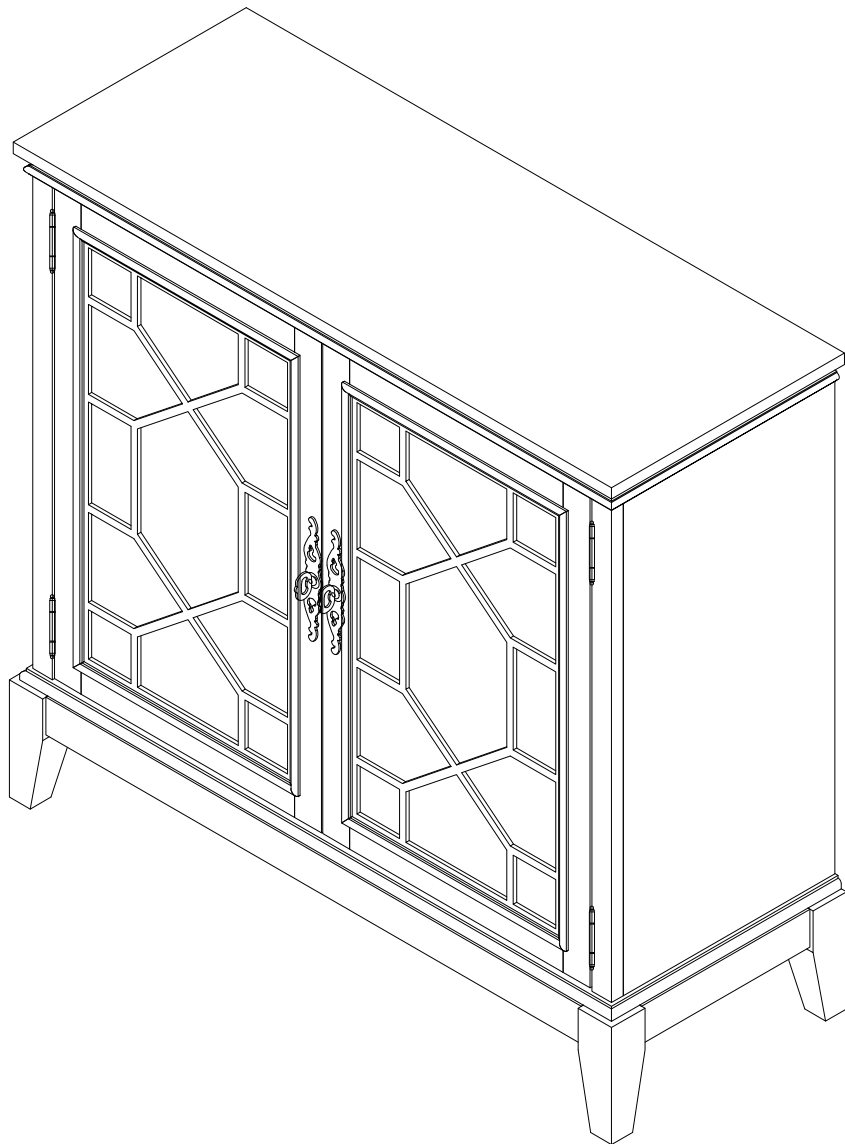


ASSEMBLY INSTRUCTIONS

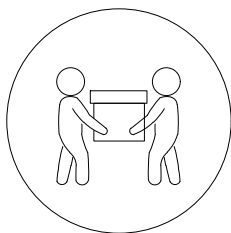
CT201-Cherry

CT201-Gray

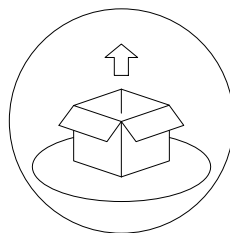


Notice:

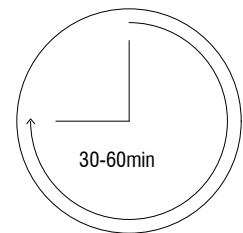
1. Follow the installation instructions. Please confirm all accessories are present before installation.
2. Do not fully tighten the screws during initial assembly. Tighten them completely only after all pieces are correctly aligned.
3. If you encounter any issues during installation, please contact our customer service for assistance.
4. Unbox the item from the side labeled "Open" and lay a protective mat or cloth on the floor to avoid scratches.



Recommended Assembly:
2 people

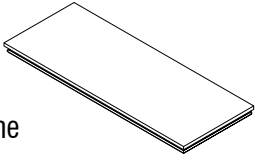
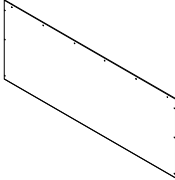
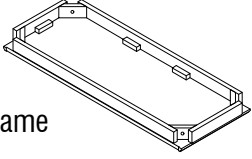
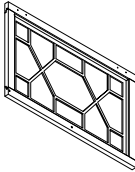
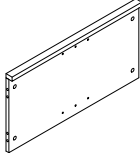
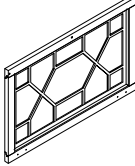
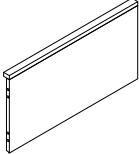
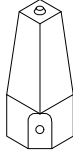
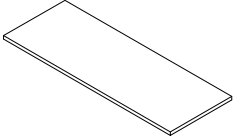


Lay a protective mat
or cloth

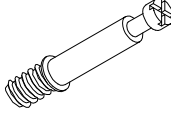
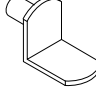

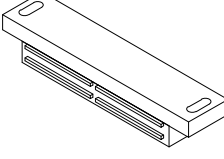
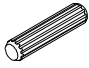

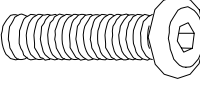
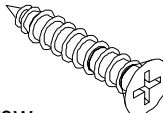



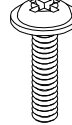

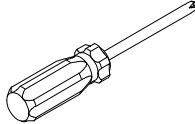
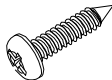
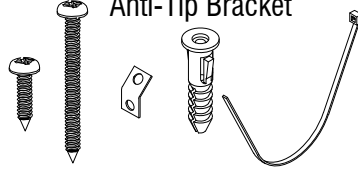


Estimate installation
time

Accessories List

Item no.	Reference Image	Qty	Item no.	Reference Image	Qty
1	 <p>Panel frame</p>	1	6	 <p>Backboard</p>	2
2	 <p>Bottom frame</p>	1	7	 <p>Left cabinet door</p>	1
3	 <p>Left side panel</p>	1	8	 <p>Right cabinet door</p>	1
4	 <p>Right side panel</p>	1	9	 <p>Leg</p>	4
5	 <p>Shelf</p>	1			

Hardware List

Item no.	Reference Image	Qty	Item no.	Reference Image	Qty
A	M6*36 	8	H	Ø6*10 	4
B	Ø15*9 	8	I	71*16*12 	1
C	Ø8*30 	8		35*12*1 	2
D	5/16"*45 	4	J	M3*16 Flat head screw 	18+2
	Ø8*14 	4	L	167*23*8 30*26*9 	2
	Ø8 	4		M4*28 	2
E	5 	1	M		1
F	M3*16 Umbrella head screw 	26+2			
G	Anti-Tip Bracket 	2			

ASSEMBLY INSTRUCTIONS

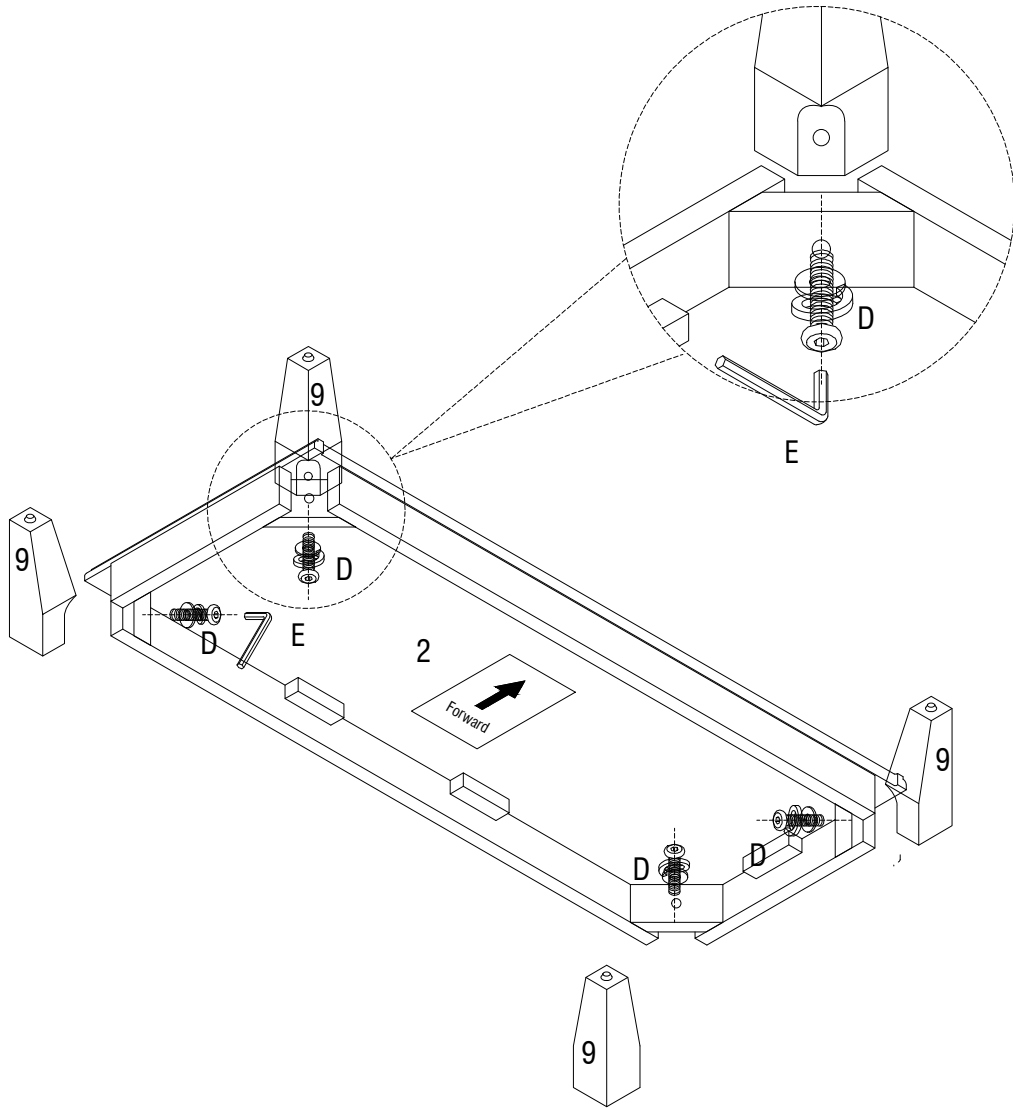
1

5/16"×45 Ø8×14 Ø8

D 4pcs

5

E 1pc

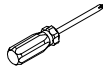


ASSEMBLY INSTRUCTIONS

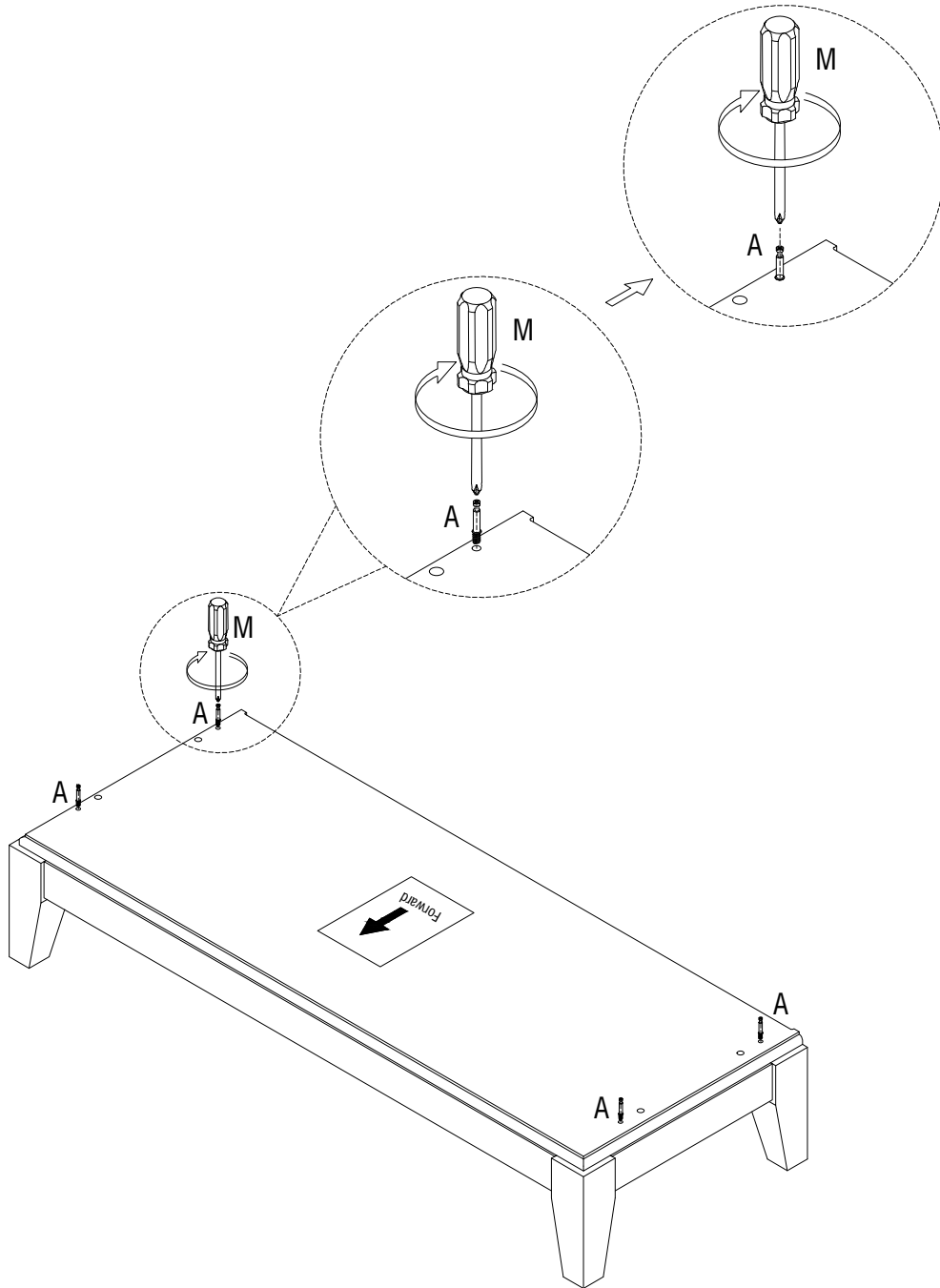
2

M6*36

A 4pcs



M 1pc

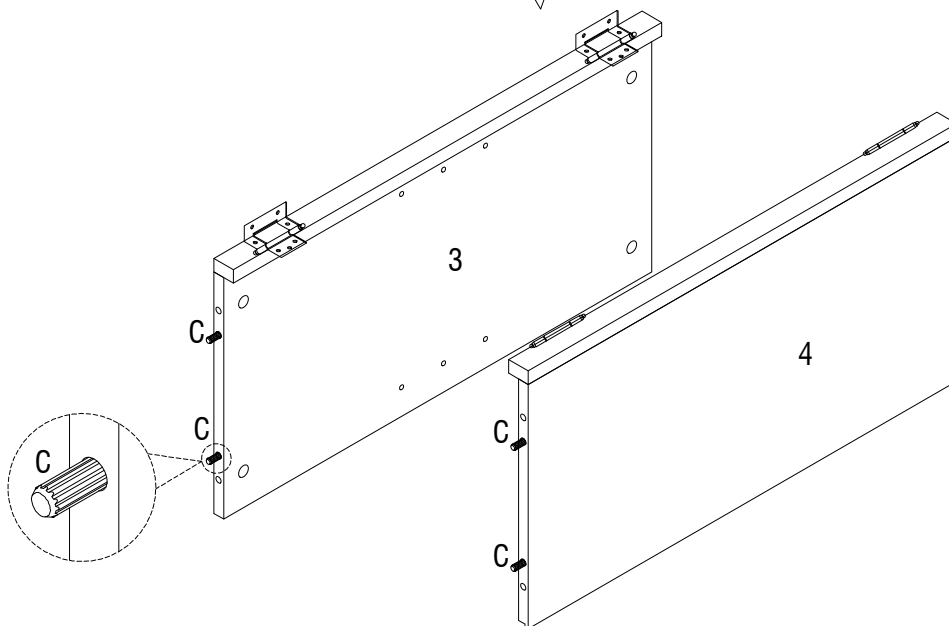
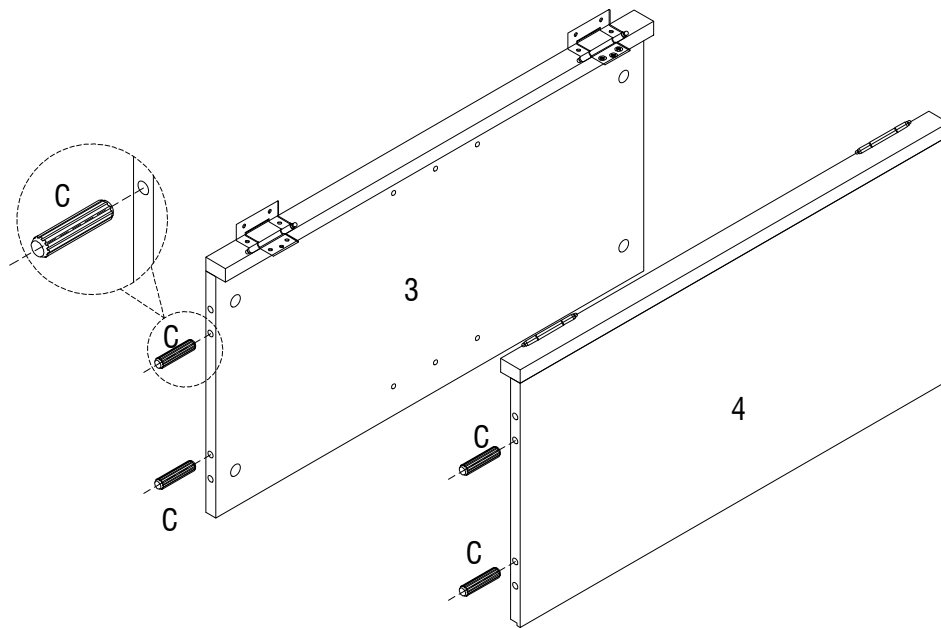


ASSEMBLY INSTRUCTIONS

3

Ø8*30

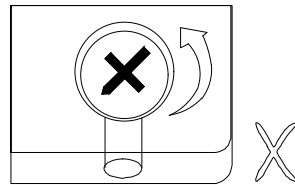
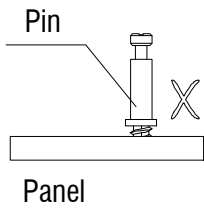
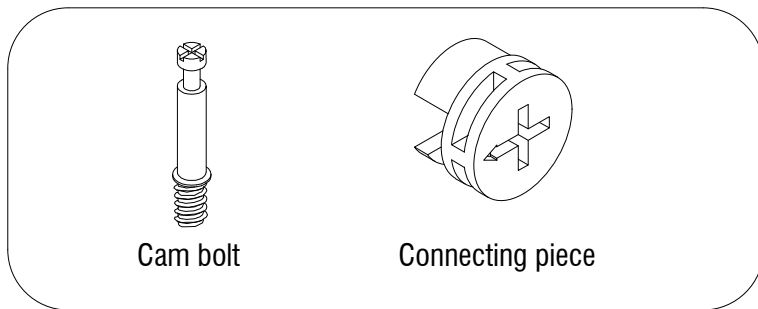
C 4pcs



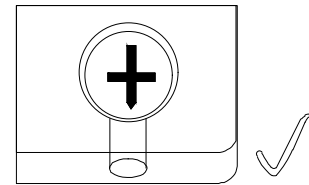
5

ASSEMBLY INSTRUCTIONS

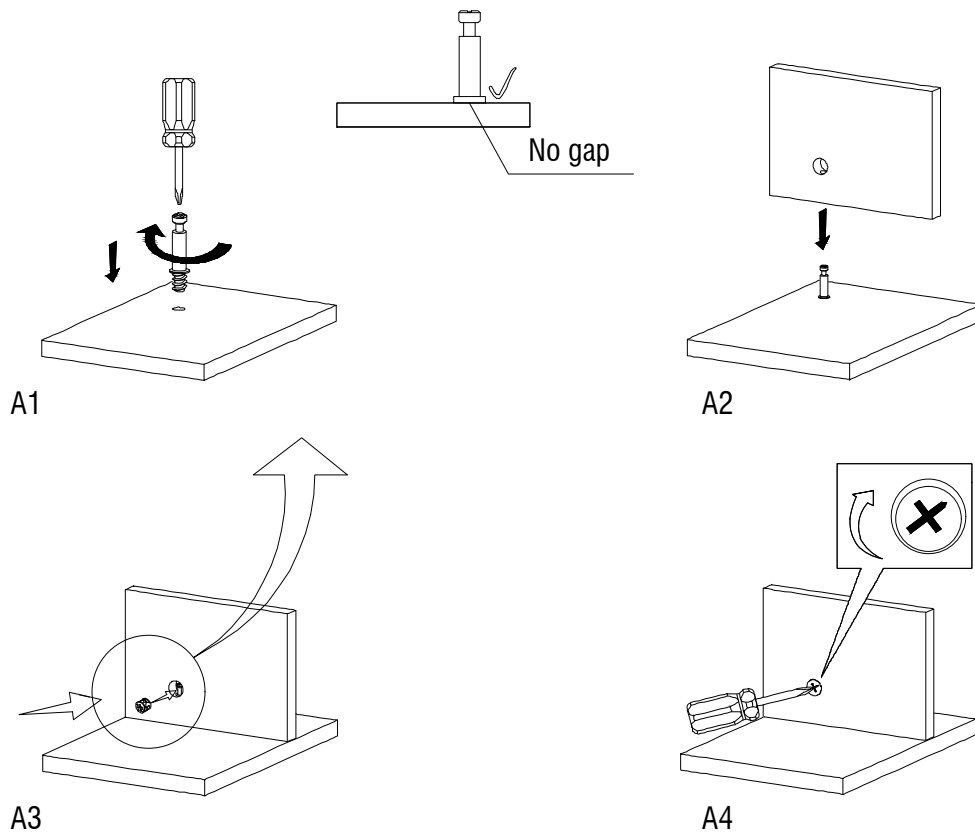
CAM BOLT INSTALLATION AS BELOW:



Rotate connecting piece if found in the position illustrated above.



Correct orientation to receive bolts.

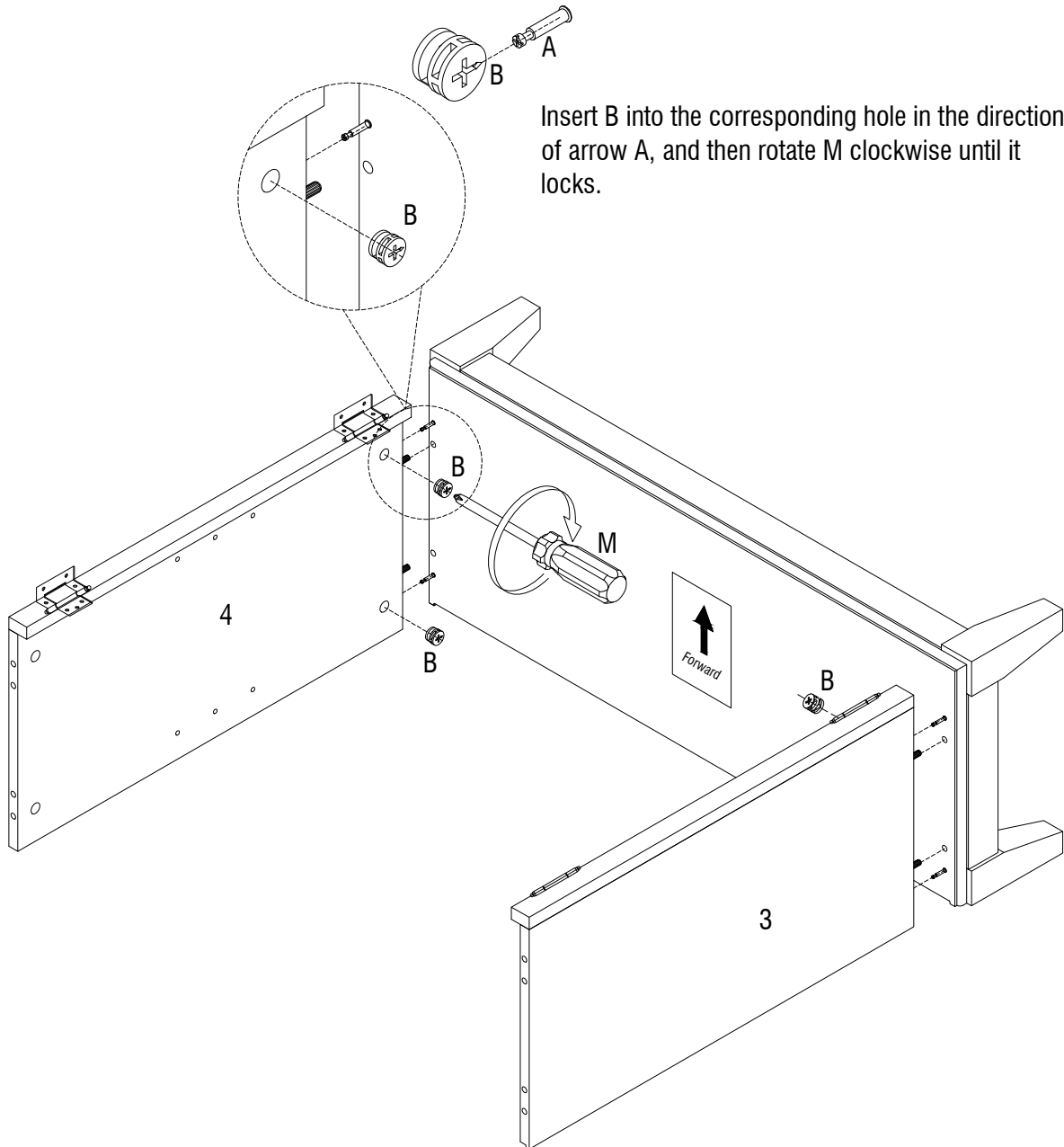


ASSEMBLY INSTRUCTIONS

4

Ø15*9
B 4pcs

M 1pc



Insert B into the corresponding hole in the direction of arrow A, and then rotate M clockwise until it locks.

ASSEMBLY INSTRUCTIONS

5

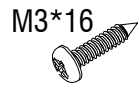


A 4pcs

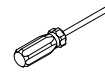
71*16*12



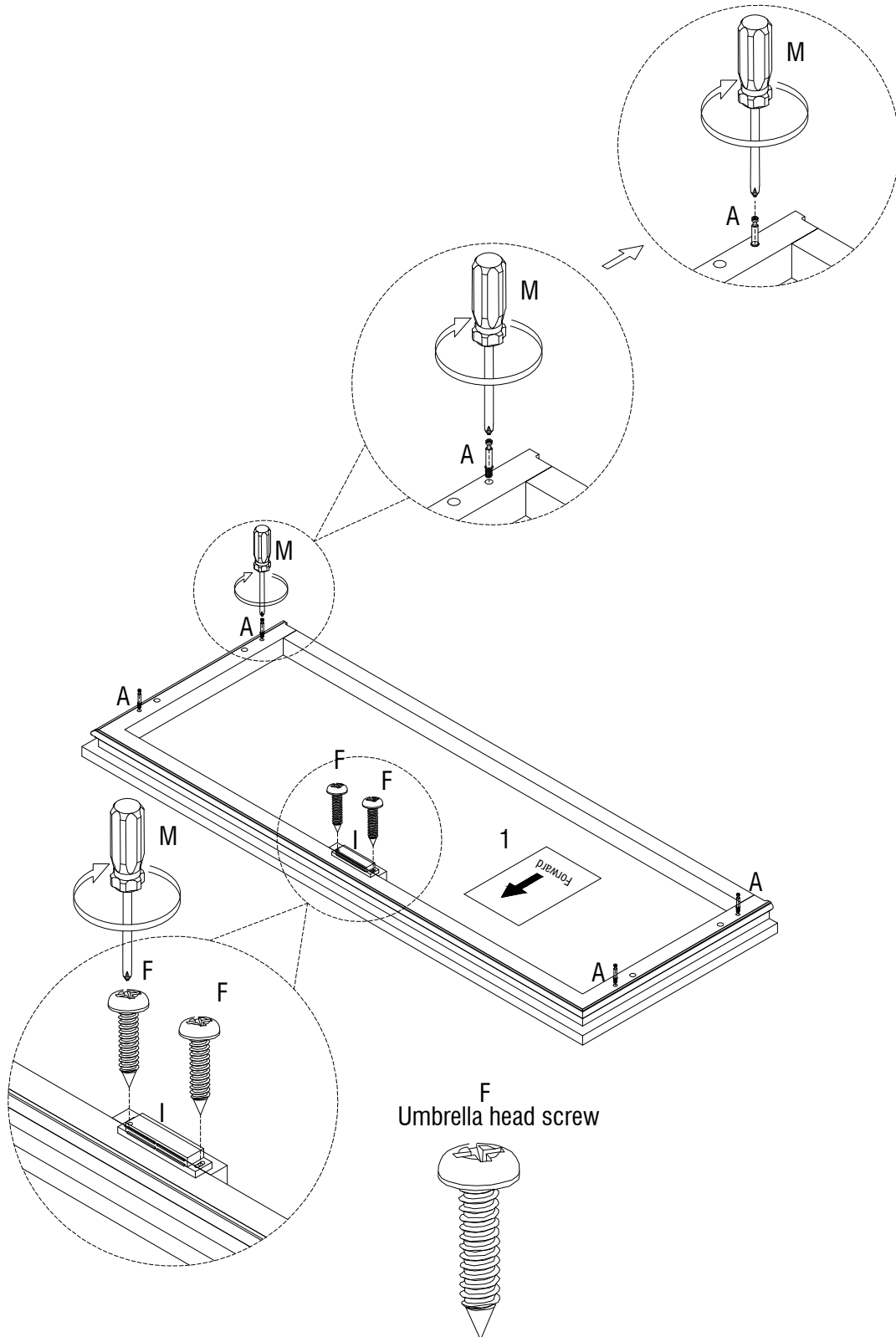
I 1pc



F 2pcs



M



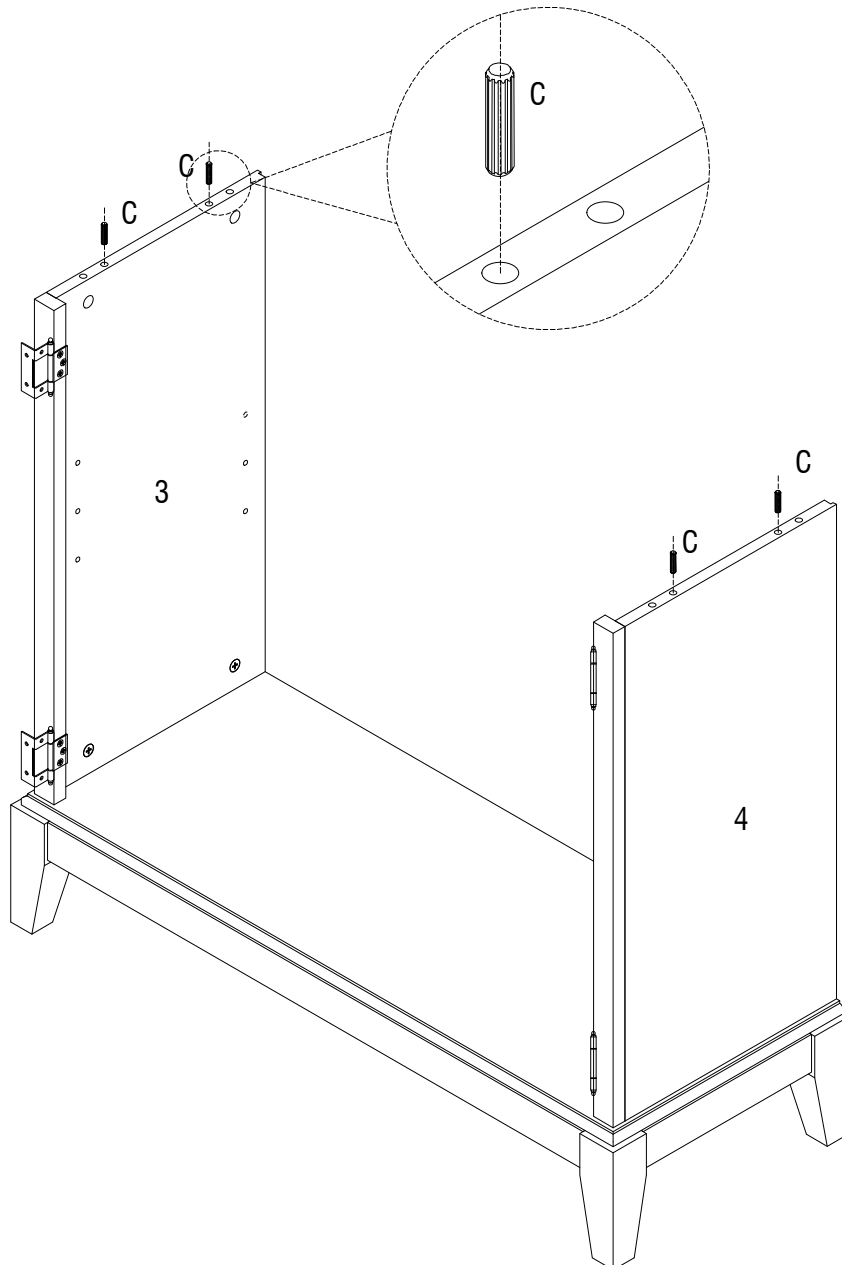
ASSEMBLY INSTRUCTIONS

6

Ø8*30



C 4pcs



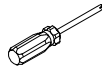
ASSEMBLY INSTRUCTIONS

7

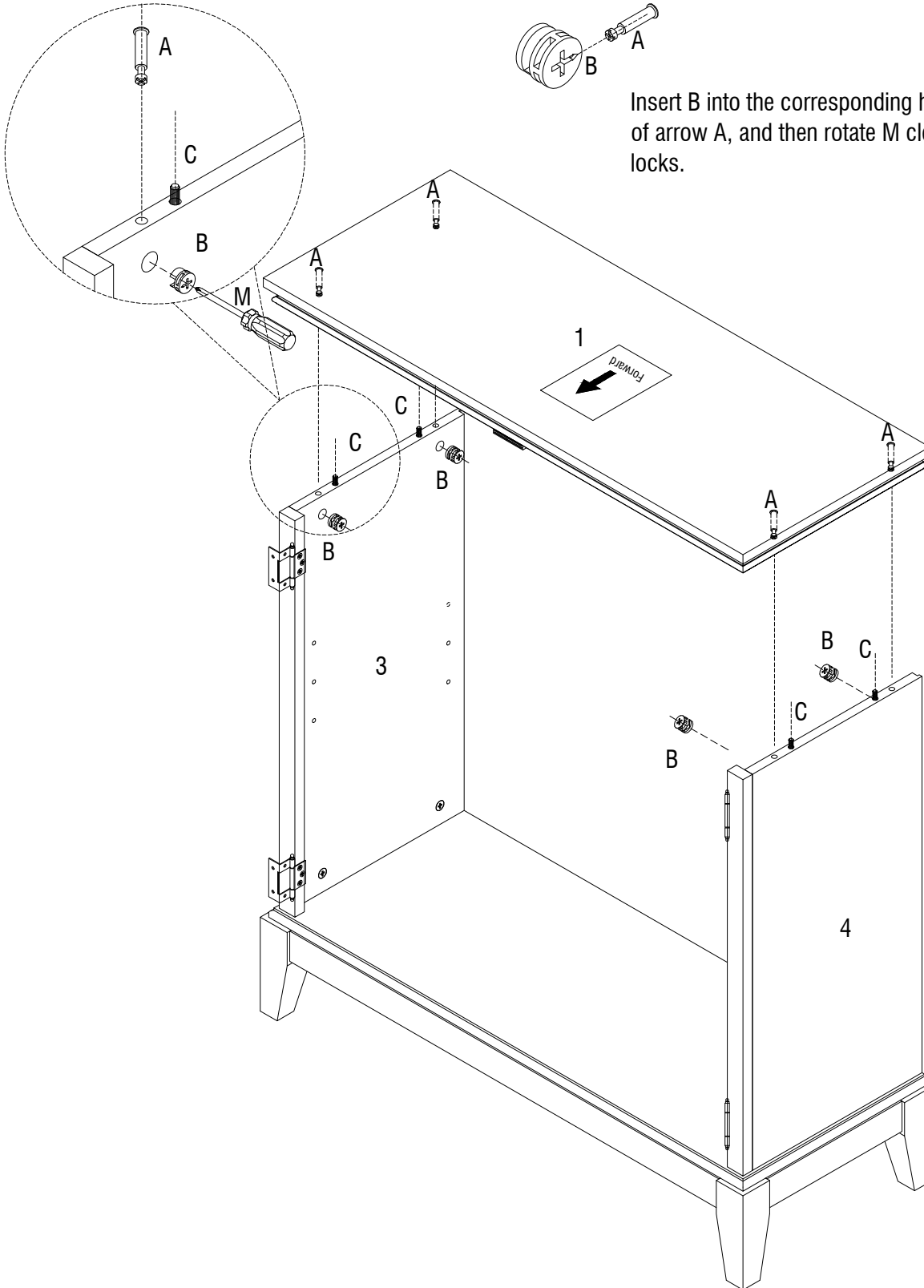
Ø15*9



B 4pcs



M

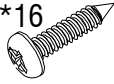


Insert B into the corresponding hole in the direction of arrow A, and then rotate M clockwise until it locks.

ASSEMBLY INSTRUCTIONS

8

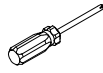
M3*16



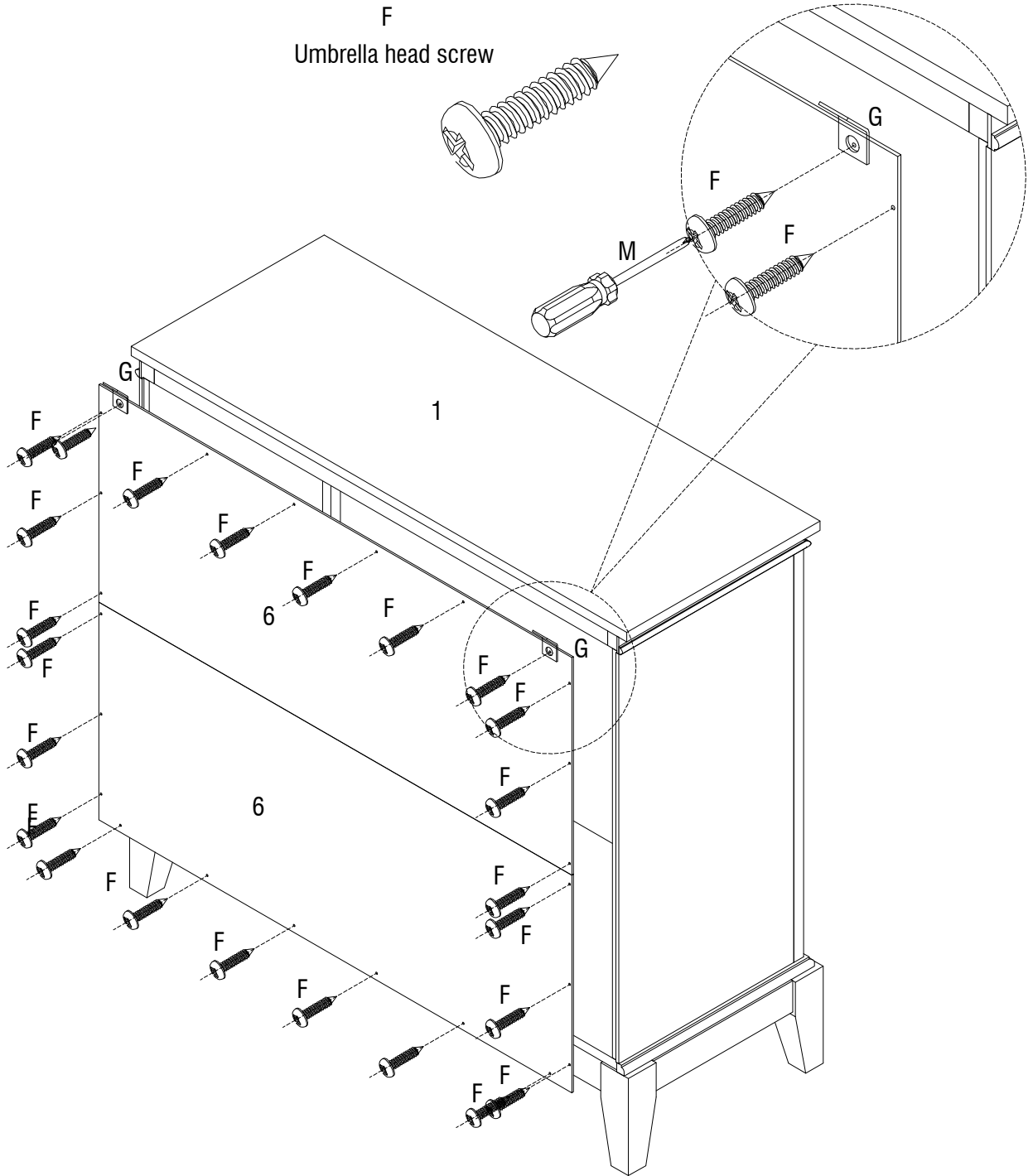
F 24pcs



G 2pcs



M

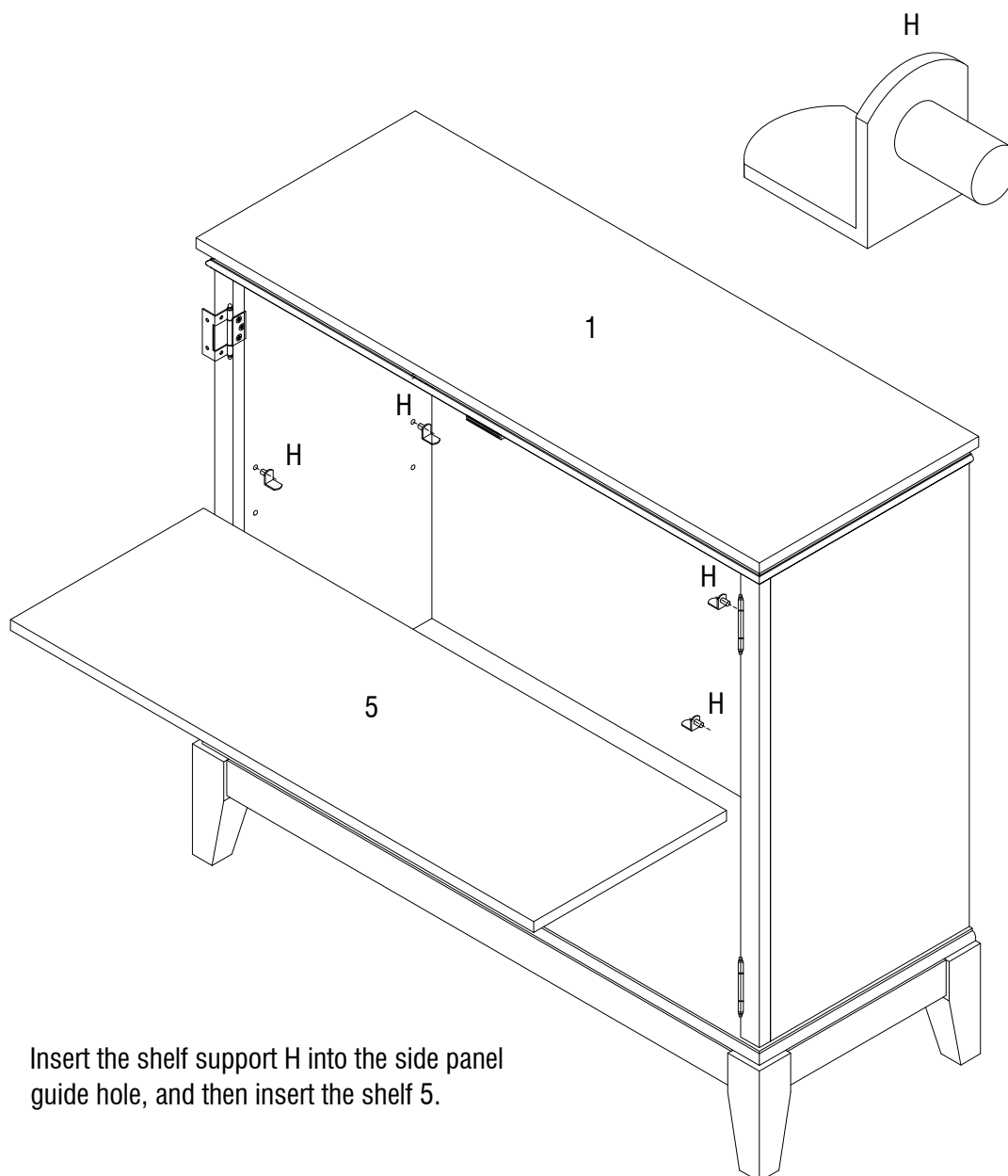


ASSEMBLY INSTRUCTIONS

9

Ø6*10

H 4pcs



Insert the shelf support H into the side panel guide hole, and then insert the shelf 5.

ASSEMBLY INSTRUCTIONS

10

35*12*1



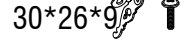
I 2pcs

M3*16

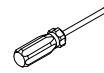


J 2pcs

167*23*8 M4*28

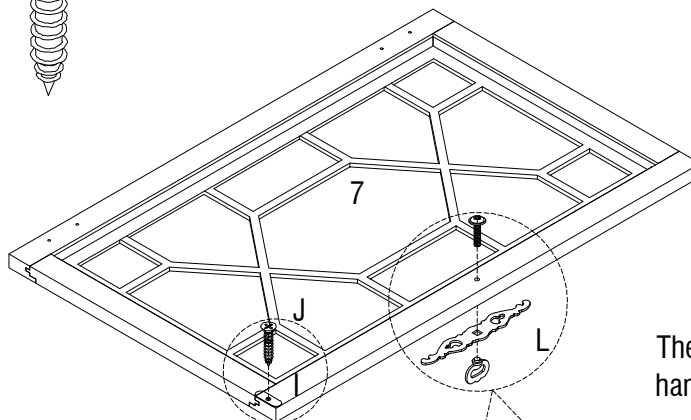


L 2pcs

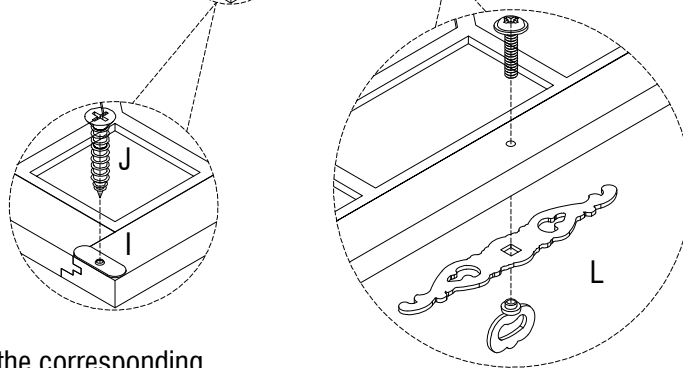


M

J
Flat head screw



The handle screw is locked to the handle through a through-hole.



Lock J through the corresponding lead hole of I

ASSEMBLY INSTRUCTIONS

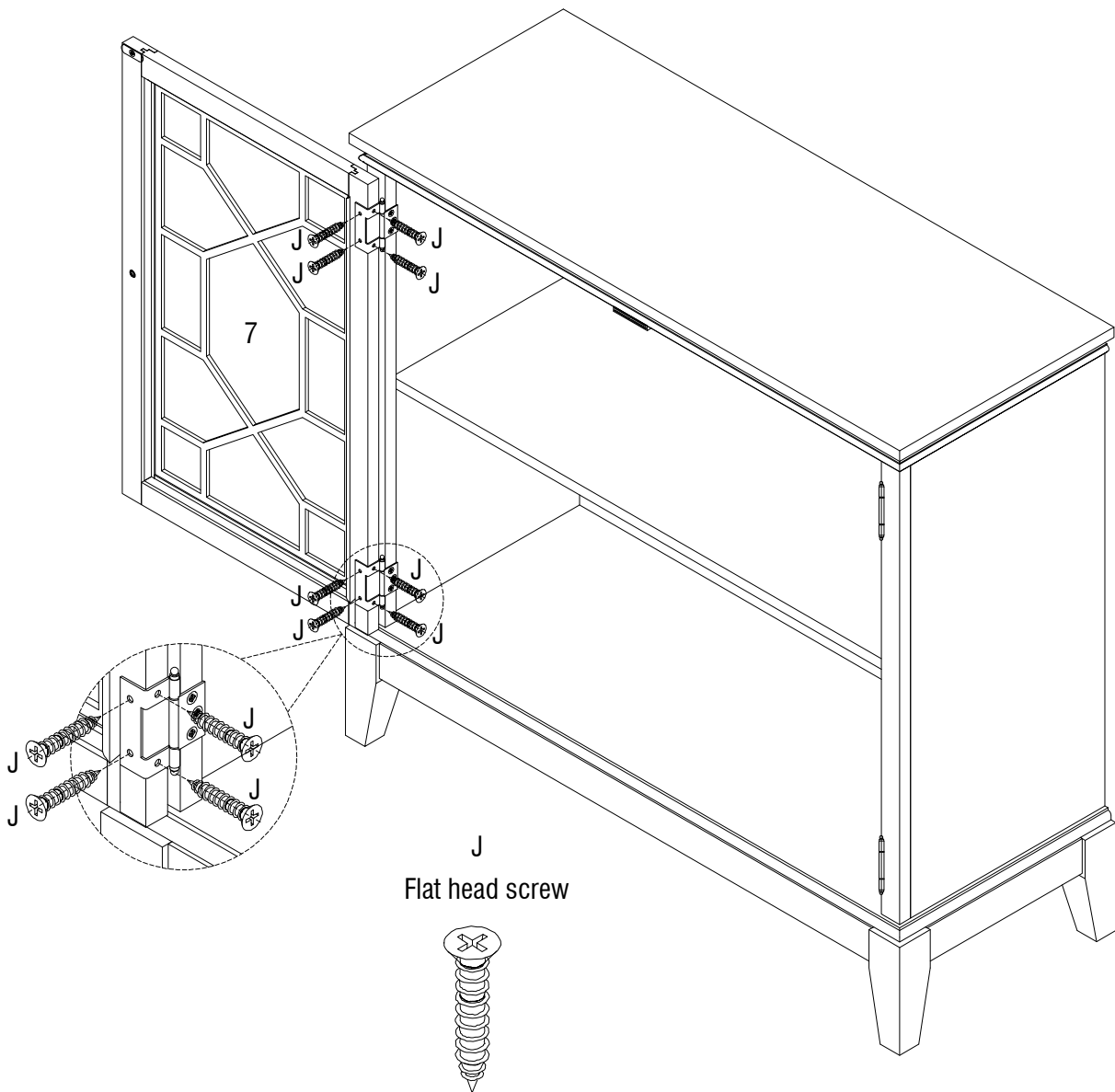
11

M3*16
J 8pcs

M

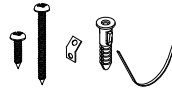
Align J with the lead hole on the door leaf through the hinge hole. Lock lightly first, do not tighten. Then close the door and adjust the gap between the door seams. After debugging, tighten each screw.

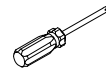
The right door is installed in the same manner as the left door. Repeat the above steps to install the right door.

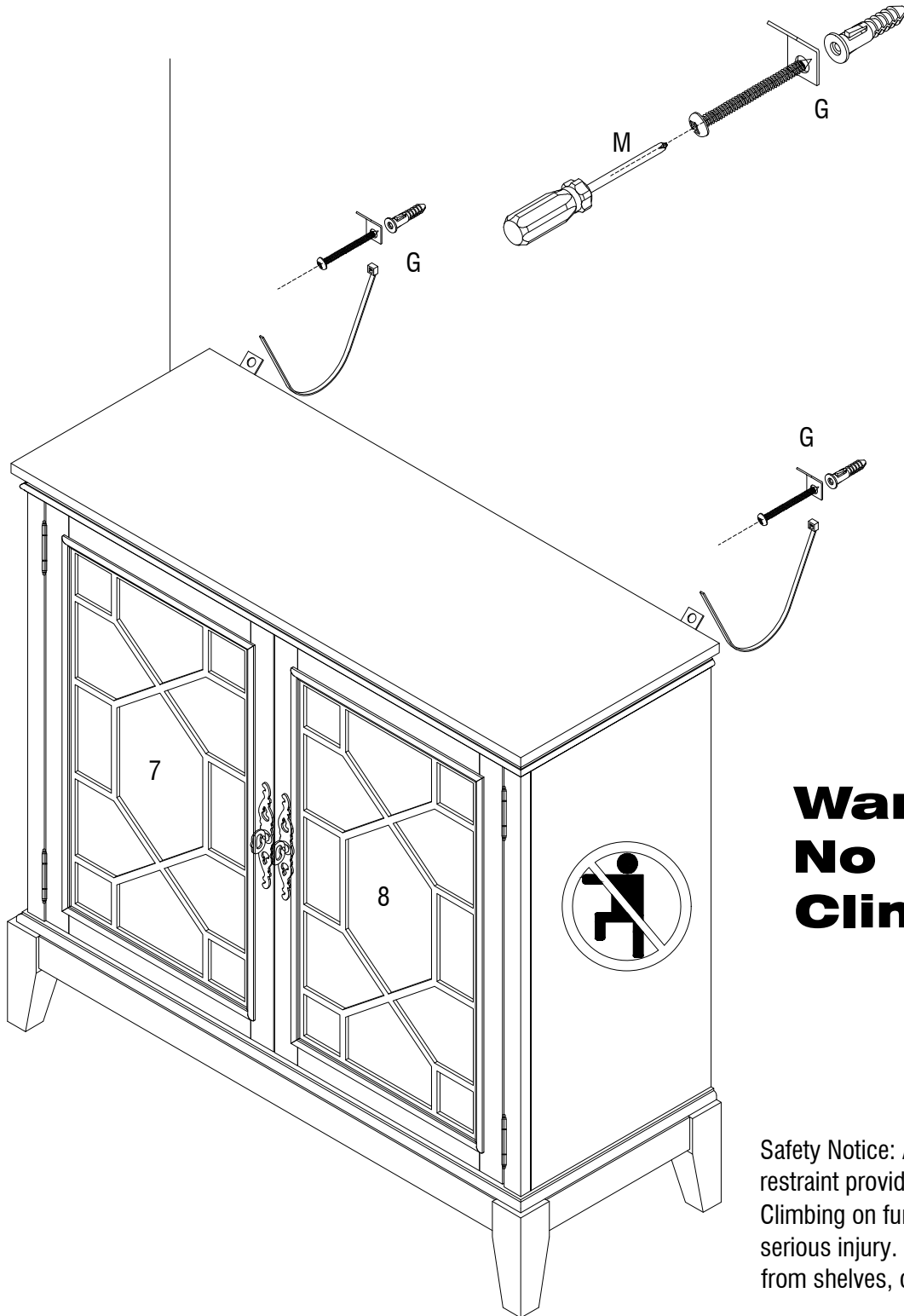


ASSEMBLY INSTRUCTIONS

12

 Anti-Tip Bracket
G 2pcs

 M



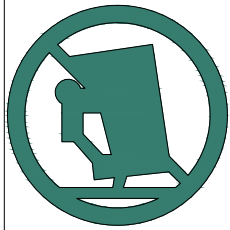
**Warning:
No
Climbing**

Safety Notice: Always install tipover restraint provided.

Climbing on furniture may result in serious injury. Keep children away from shelves, cabinets and furniture.



WARNING



1. **Safety Notice:** To prevent serious injury or death from tip-over, this cabinet must be securely anchored to the wall using the provided anti-tip device. Always follow the installation instructions carefully.

2. **Locate Wall Studs:** Use a stud finder to locate the wall studs where the cabinet will be anchored. **Attach Anti-Tip Bracket:** Secure the anti-tip bracket to the wall stud using the provided screws. Ensure the bracket is level and firmly attached. **Anchor the Cabinet:** Position the cabinet against the wall and attach it to the anti-tip bracket using the designated attachment points. **Verify Stability:** Gently test the cabinet to ensure it is securely anchored and does not tilt forward.

3. **Never allow children to climb or hang on the cabinet.** Do not place heavy items on open drawers or doors, as this may cause the cabinet to tip over. Regularly check the anti-tip device to ensure it remains securely attached.