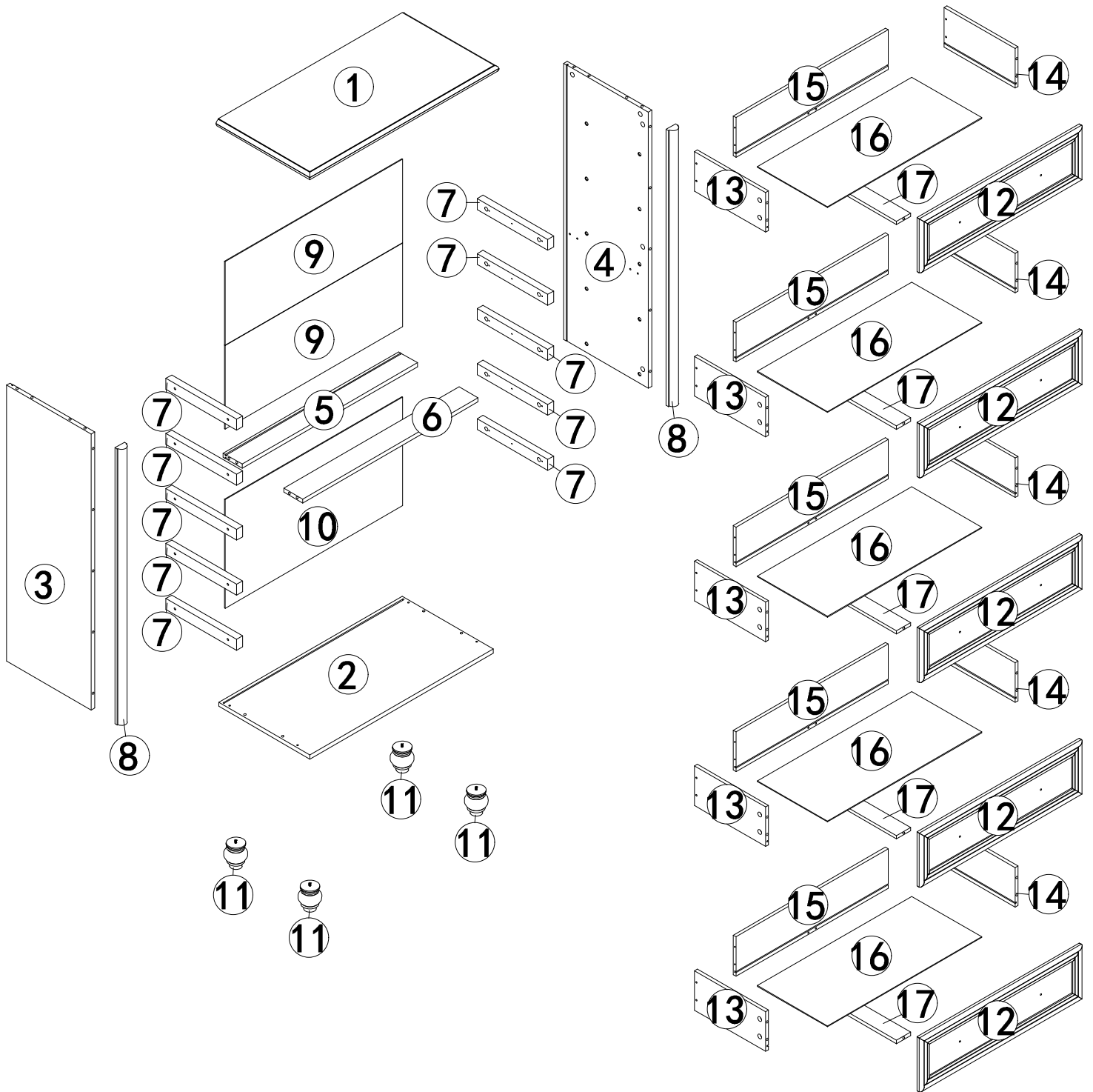


Assembly Instructions

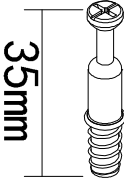

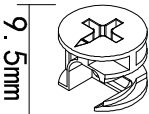

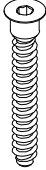
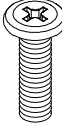
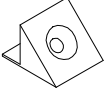

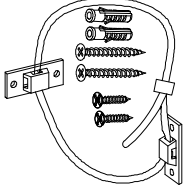

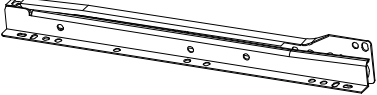

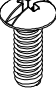
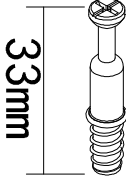
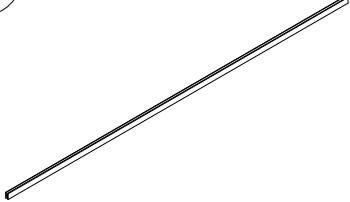

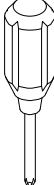


Instructions for use: The cabinet legs should be designed to avoid lateral stress. When moving, please lift vertically off the ground. Dragging may cause loose connectors, affecting stability and service life

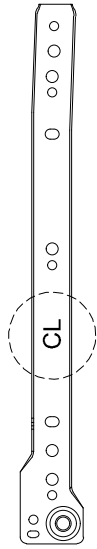
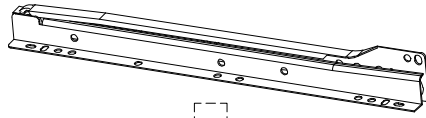
PART LIST



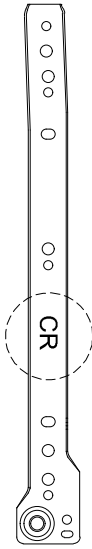
HARDWARE LIST

<p>A</p>  <p>35mm</p> <p>Ø6x35mm (18+2)PCS</p>	<p>B</p>  <p>11.5mm</p> <p>Ø15x11.5mm (18+2)PCS</p>	<p>C</p>  <p>9.5mm</p> <p>Ø15x9.5mm (25+2)PCS</p>
<p>D</p>  <p>Ø8x30mm (12+2)PCS</p>	<p>E</p>  <p>Ø5x40mm (34+2)PCS</p>	<p>F</p>  <p>Ø6x25mm (20+1)PCS</p>
<p>G</p>  <p>(10+1)PCS</p>	<p>H</p>  <p>Ø3x15mm (10+1)PCS</p>	<p>I</p>  <p>2SET</p>
<p>J</p>  <p>Ø3x12mm (60+5)PCS</p>	<p>K</p>  <p>5SET</p>	<p>L</p>  <p>10PCS</p>
<p>M</p>  <p>Ø4x12mm (10+1)PCS</p>	<p>N</p>  <p>33mm</p> <p>Ø6x33mm (25+2)PCS</p>	<p>O</p>  <p>1PC</p>
 <p>1PC</p>	 <p>1PC</p>	

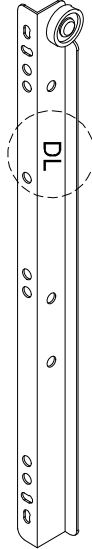
! K X 5SET



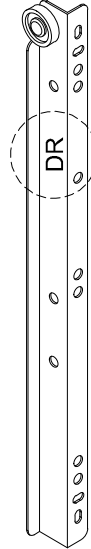
CL



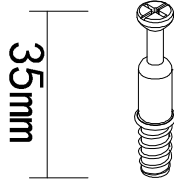
CR



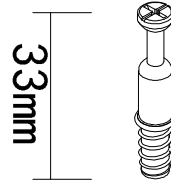
DL



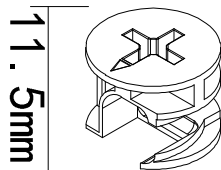
DR



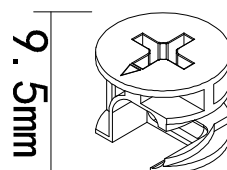
A



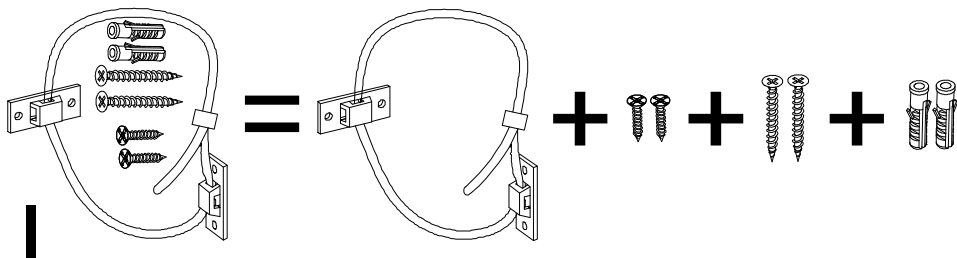
N



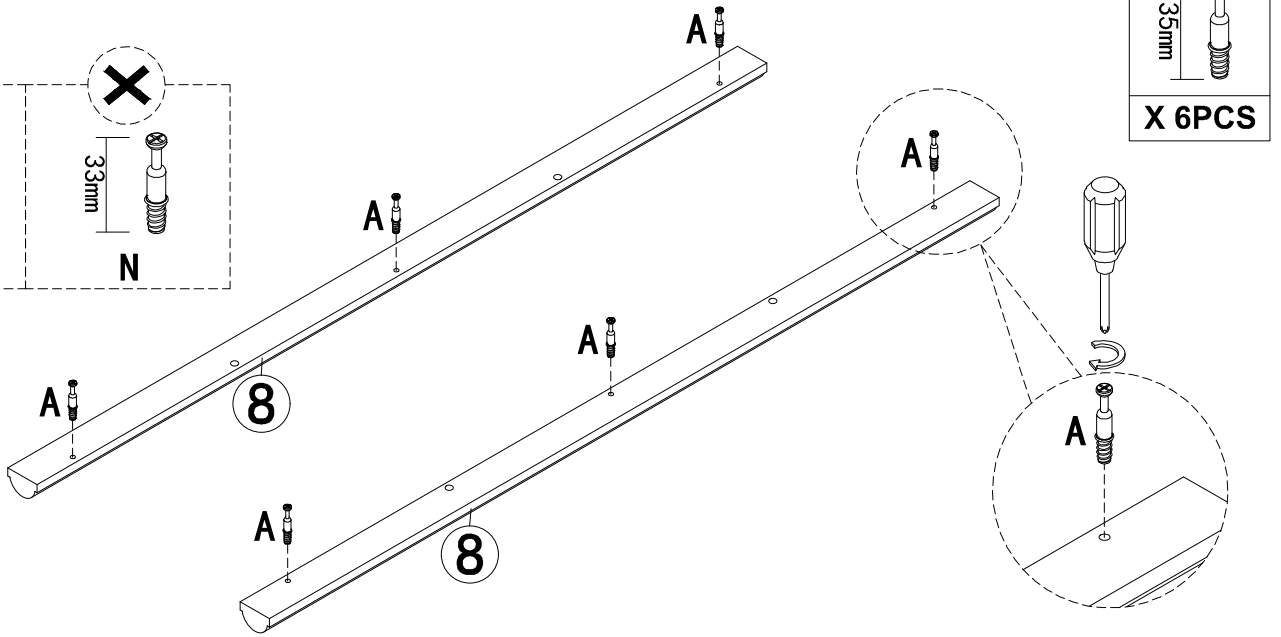
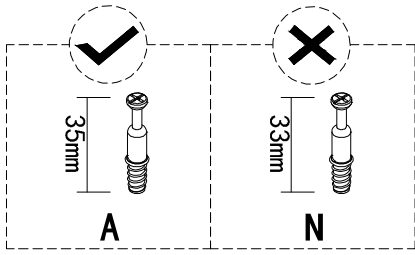
B



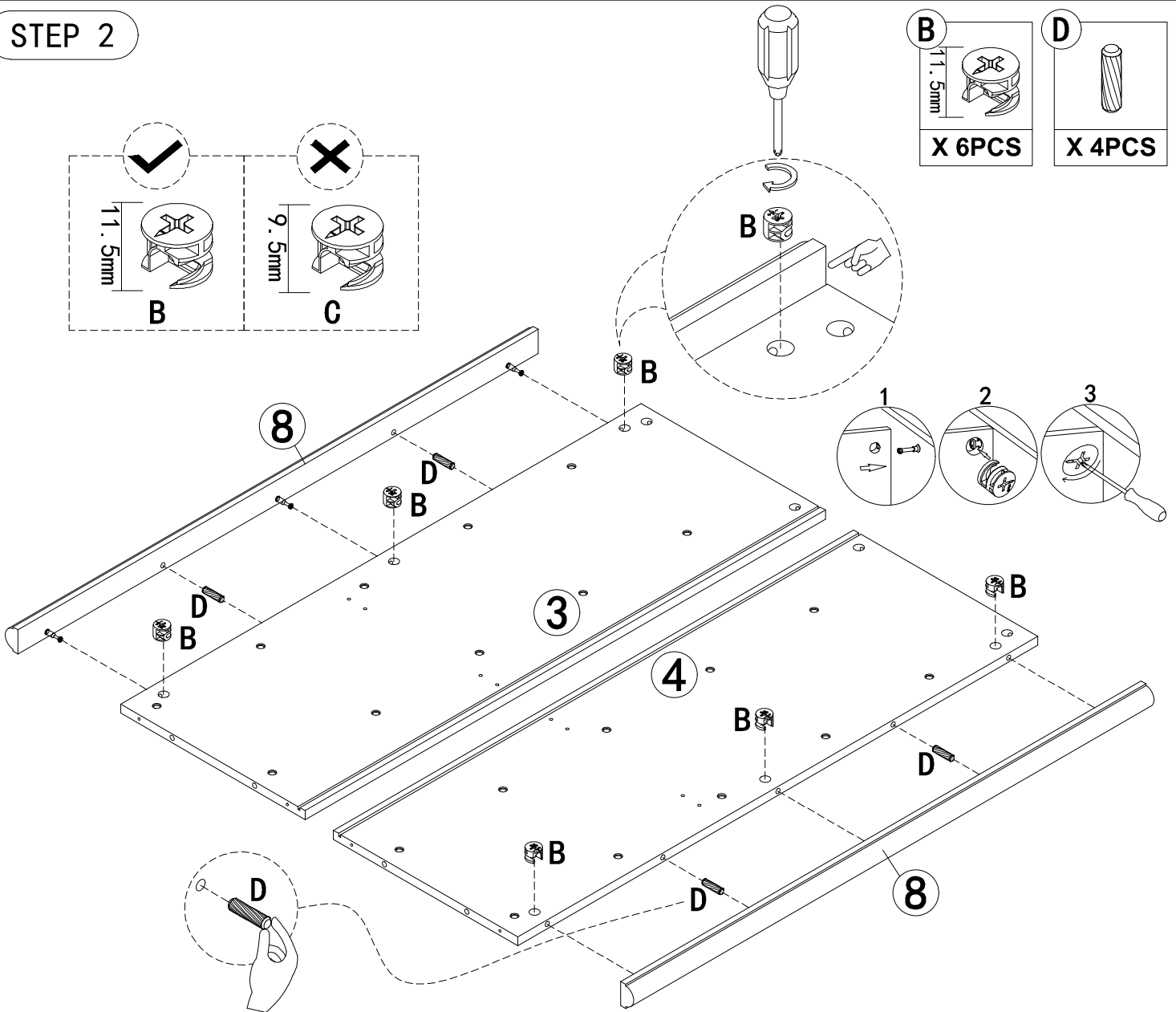
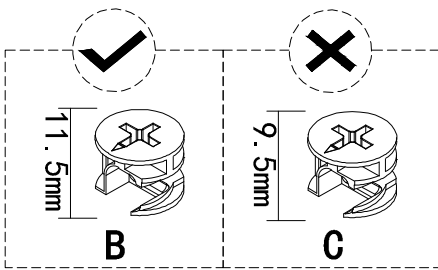
C



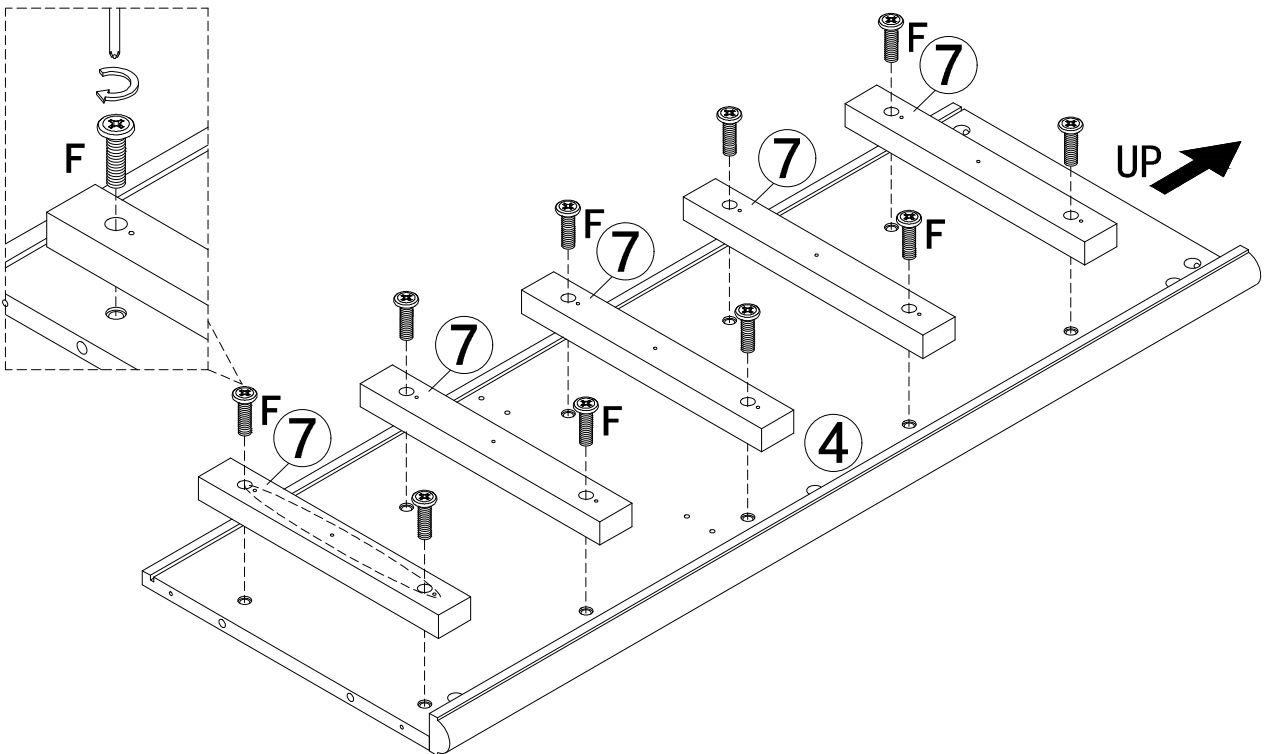
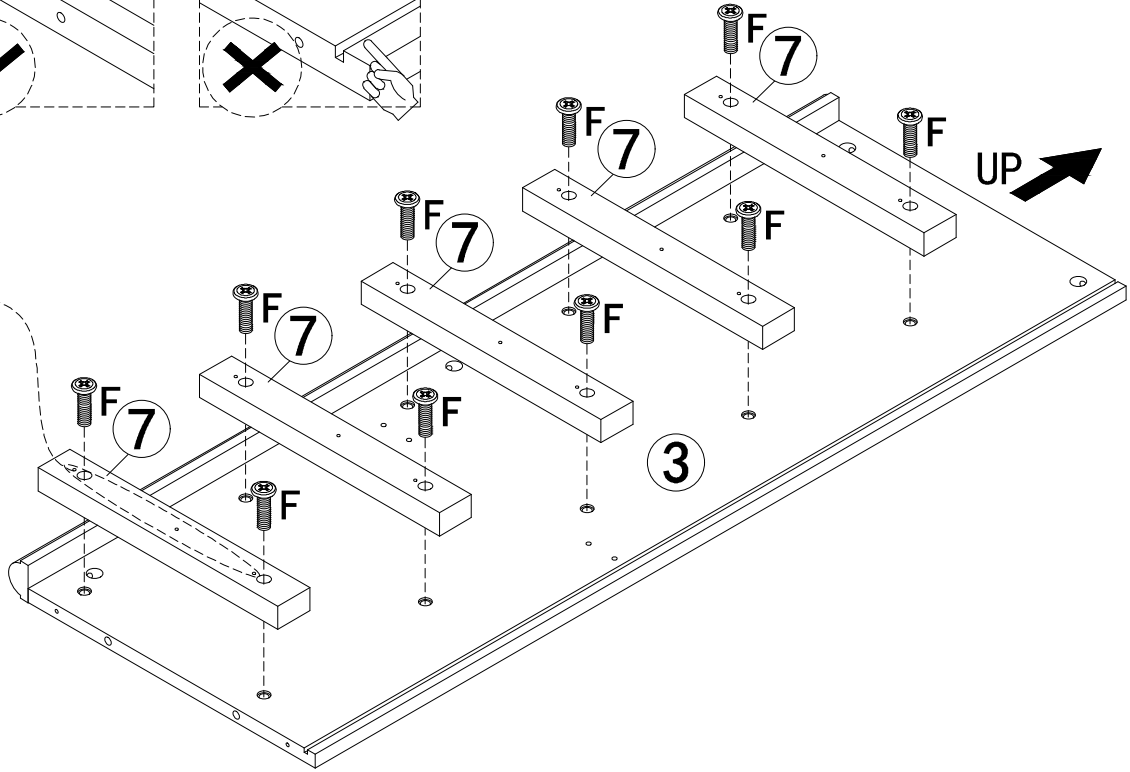
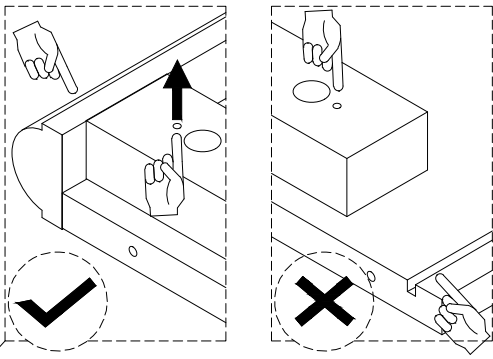
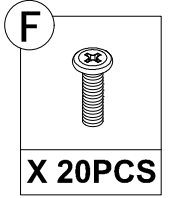
STEP 1



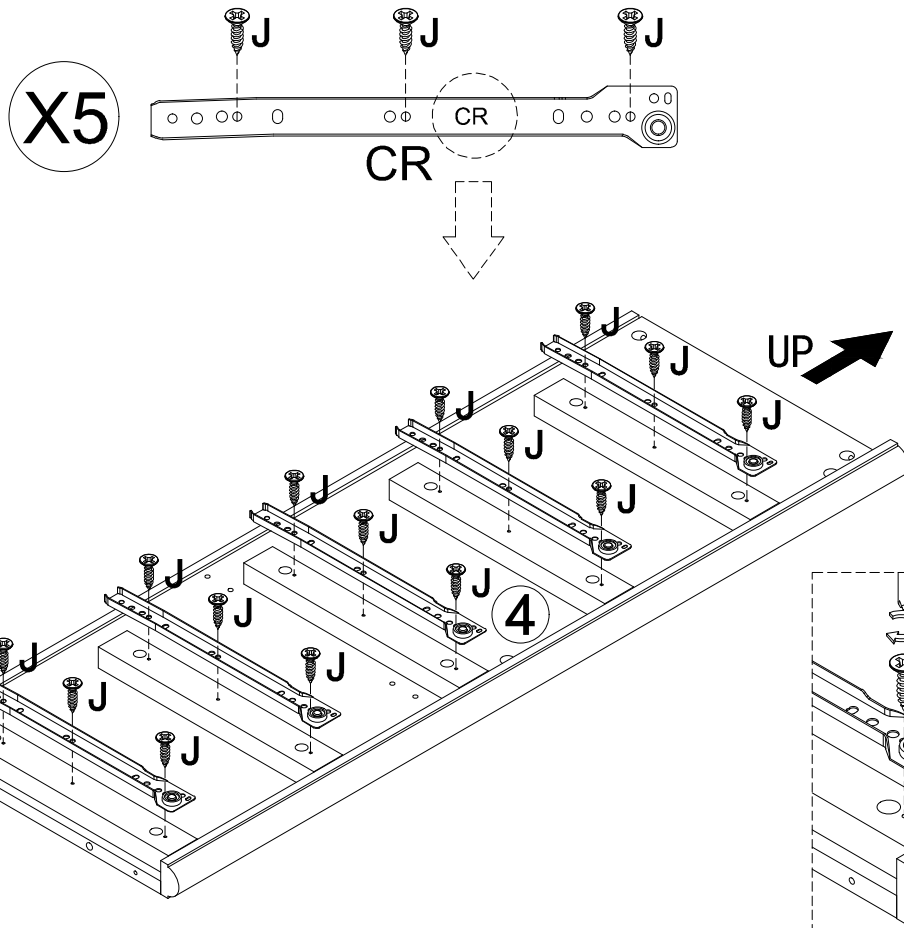
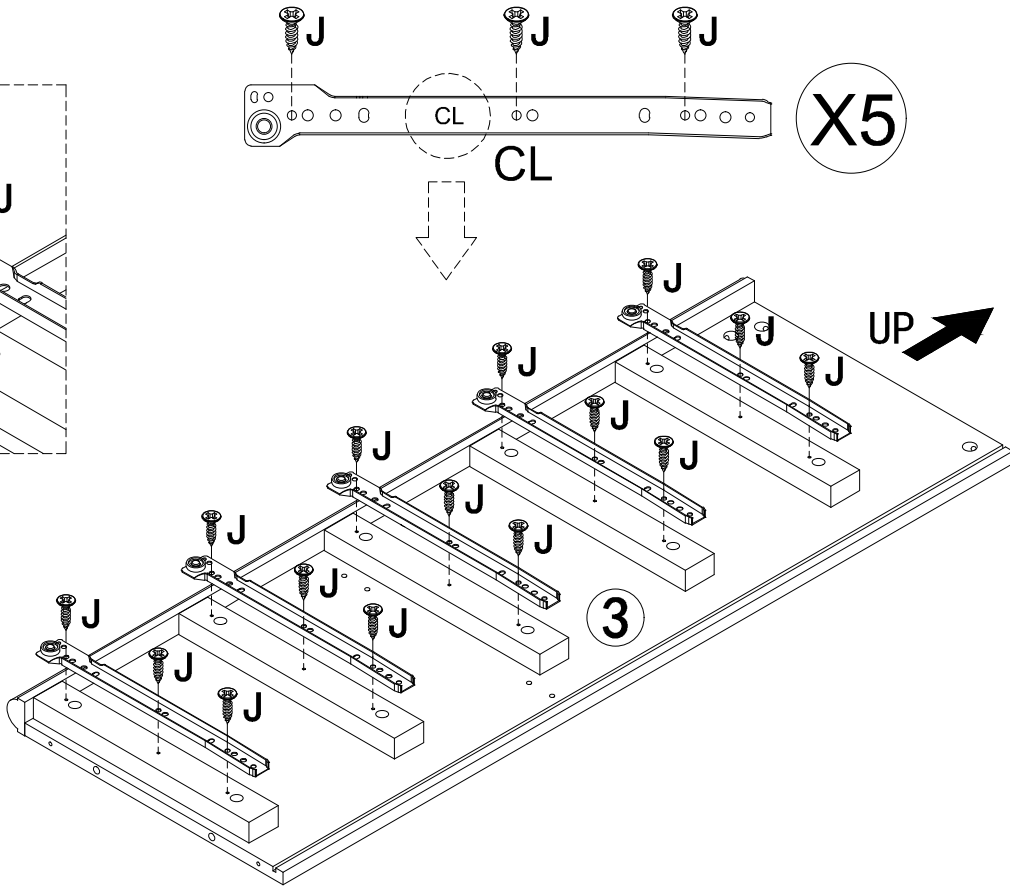
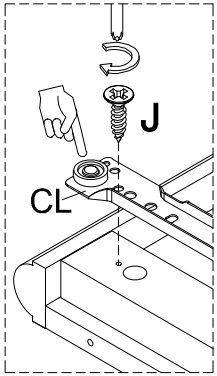
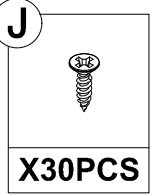
STEP 2



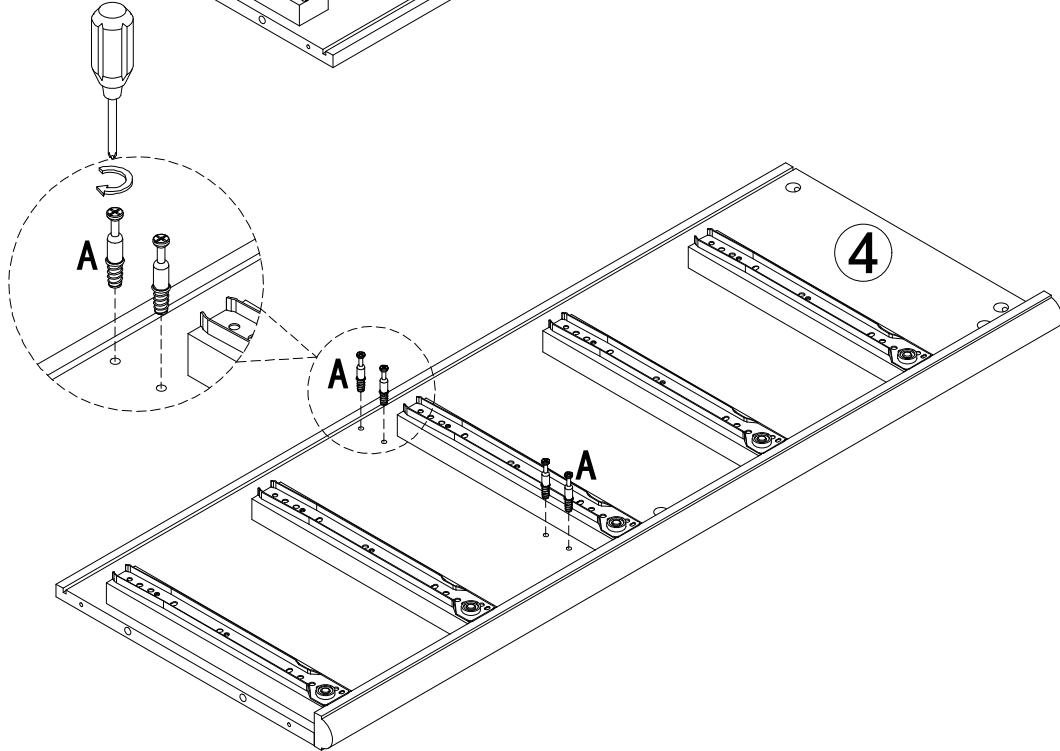
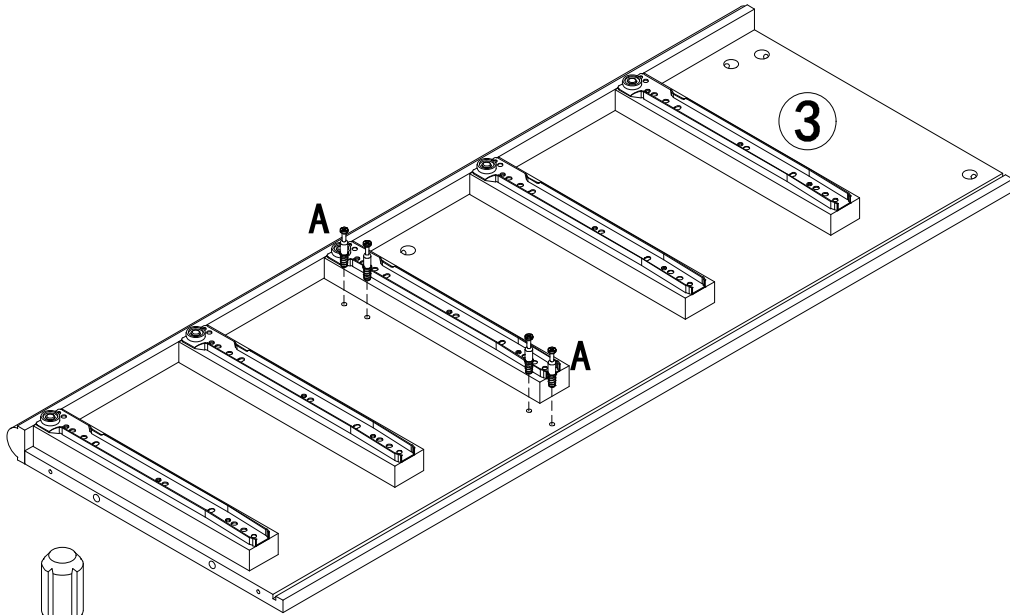
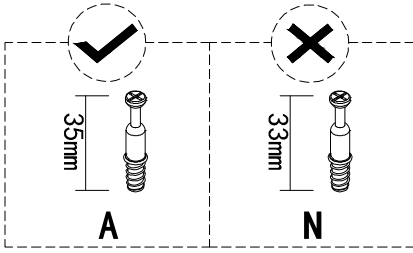
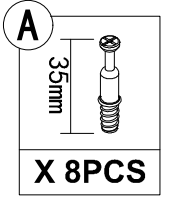
STEP 3



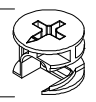
STEP 4

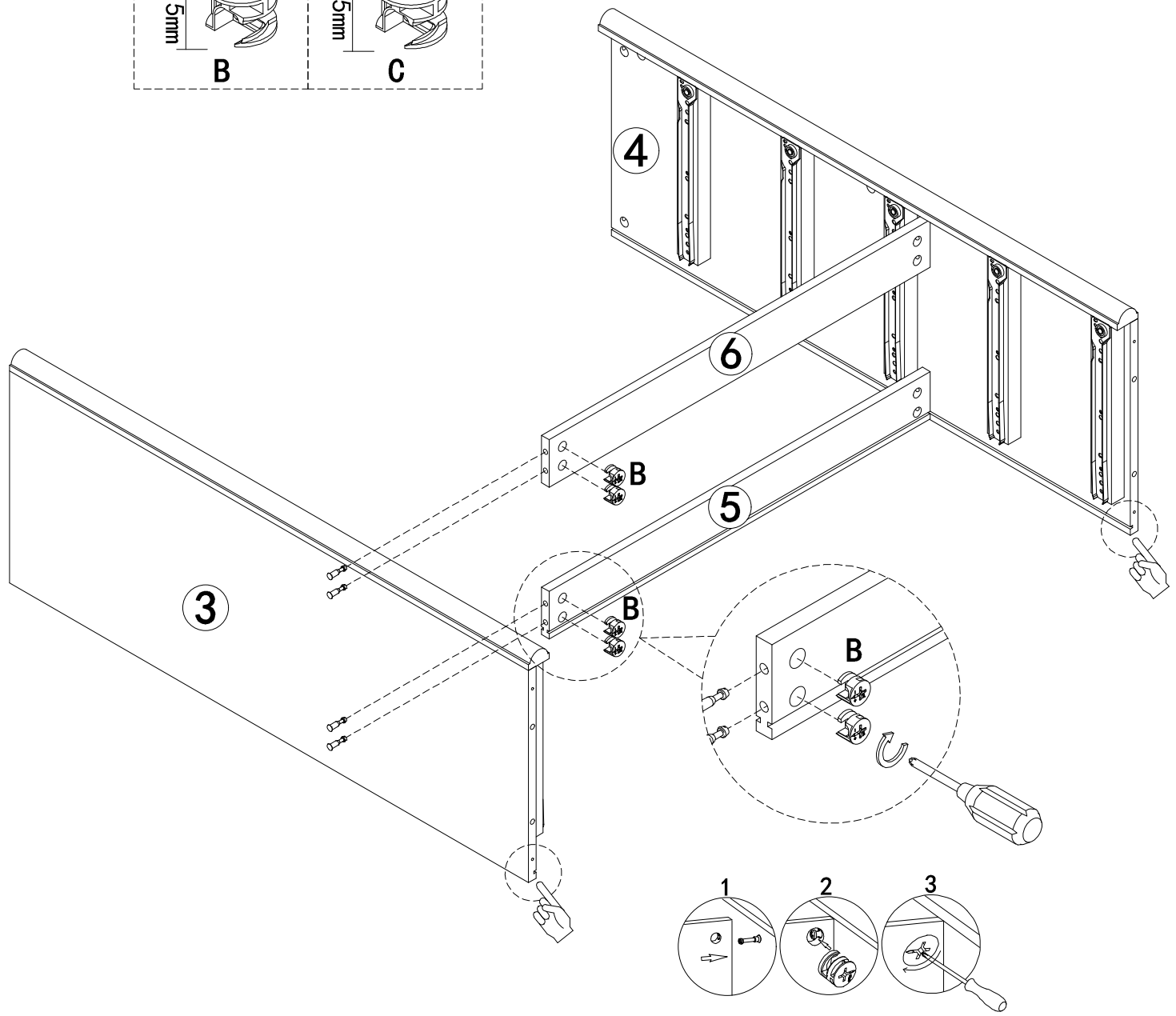
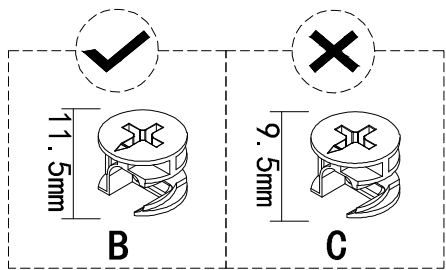


STEP 5

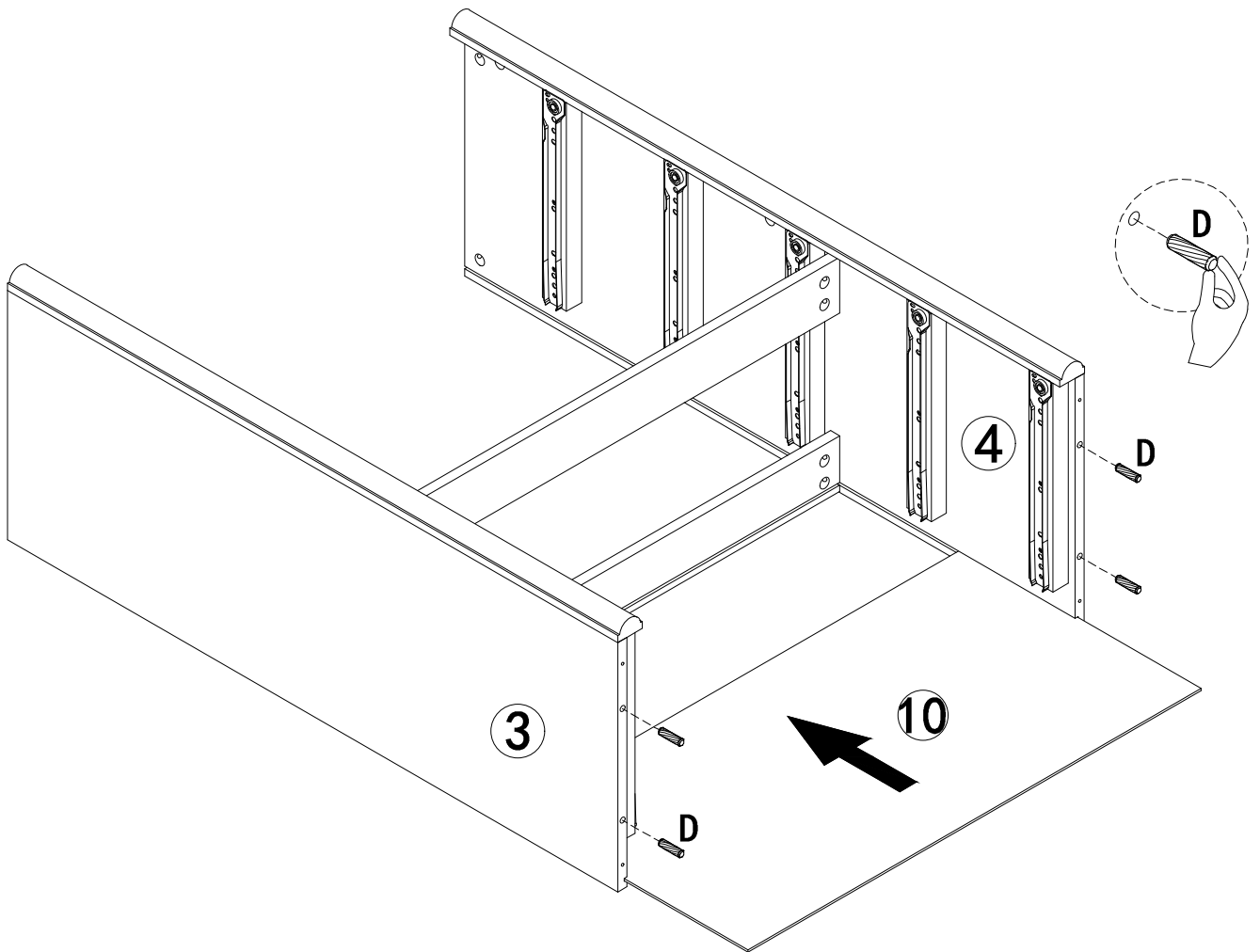
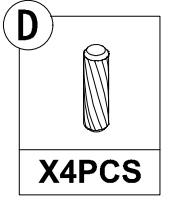


STEP 7

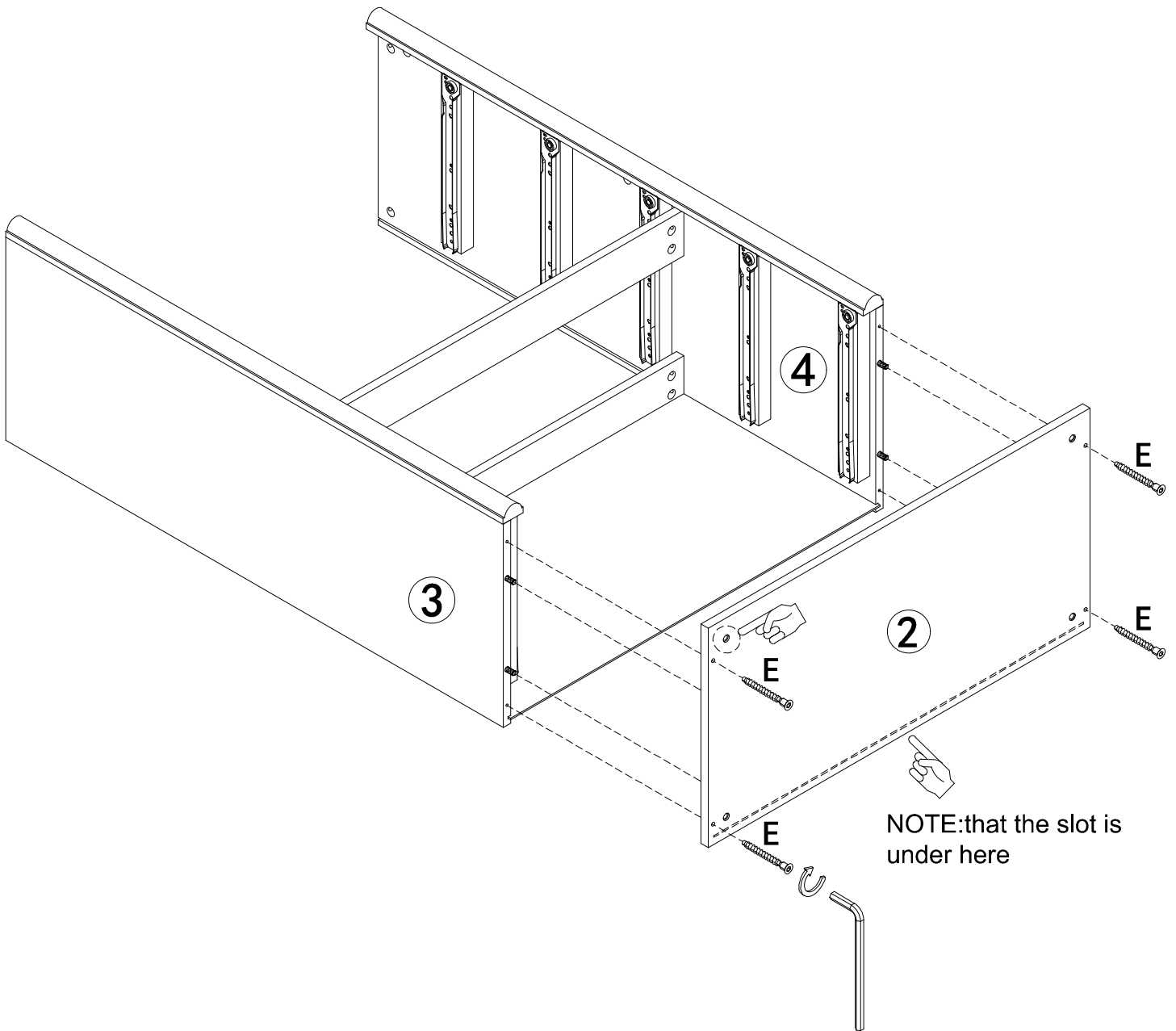
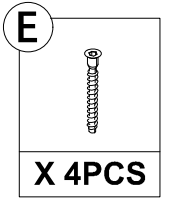
B
11.5mm

X 4PCS



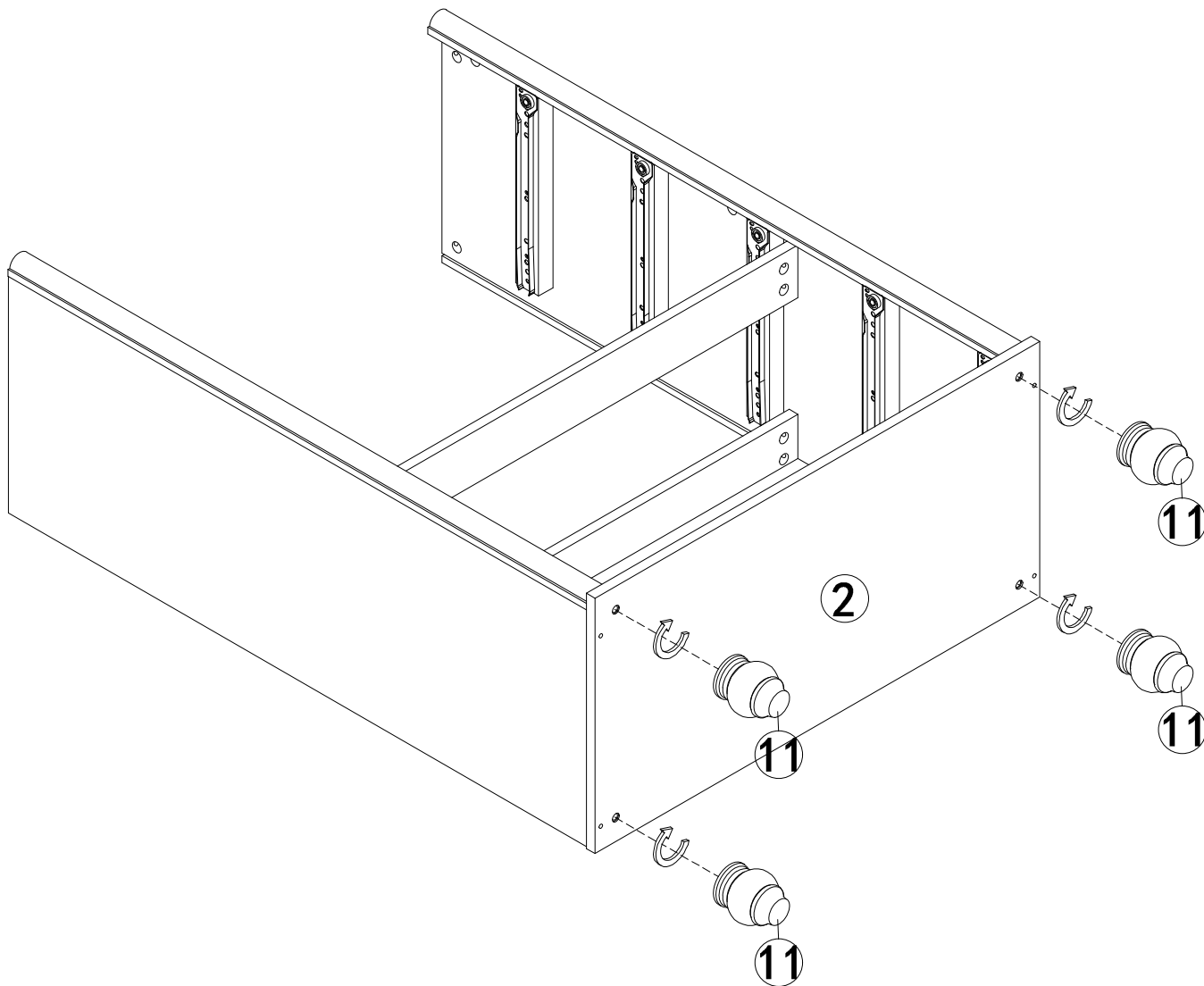
STEP 8




STEP 9




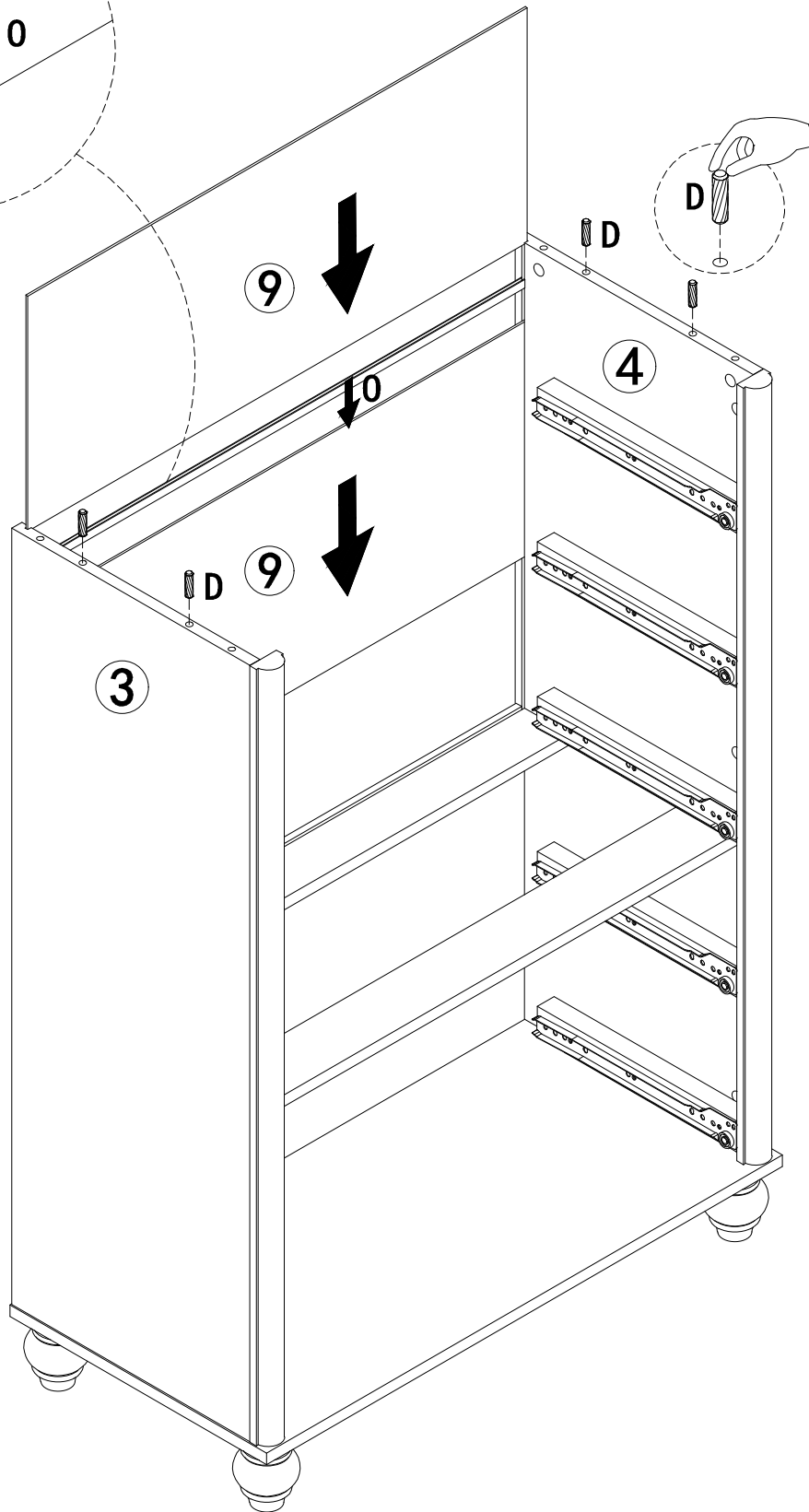
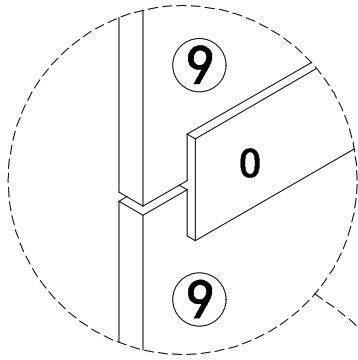
STEP 10



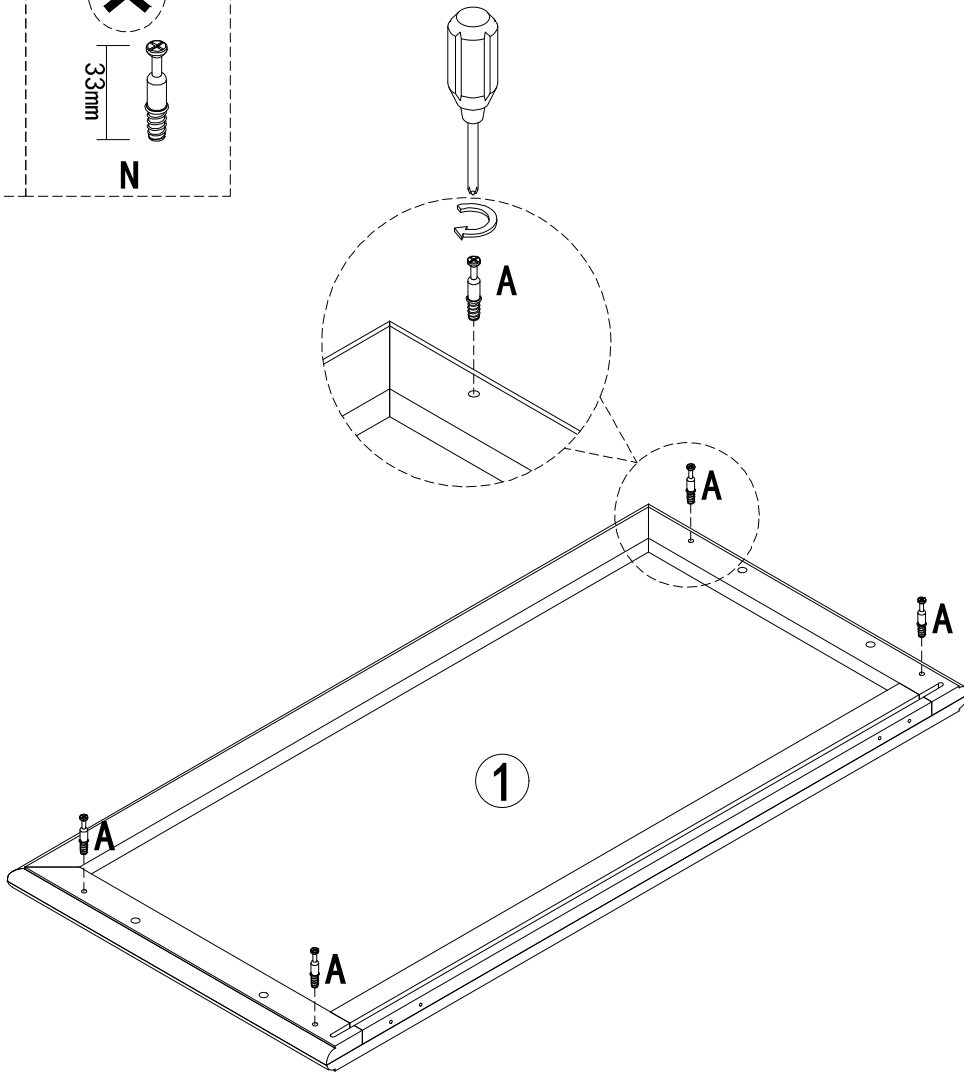
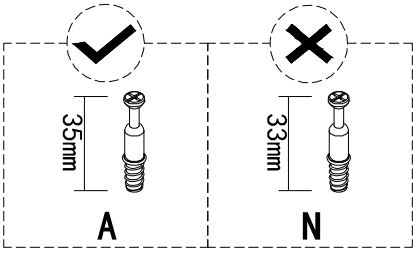
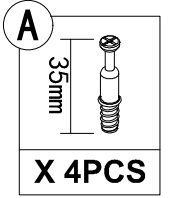
STEP 11

D	
X 4PCS	

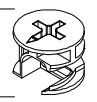
O	
X 1PC	



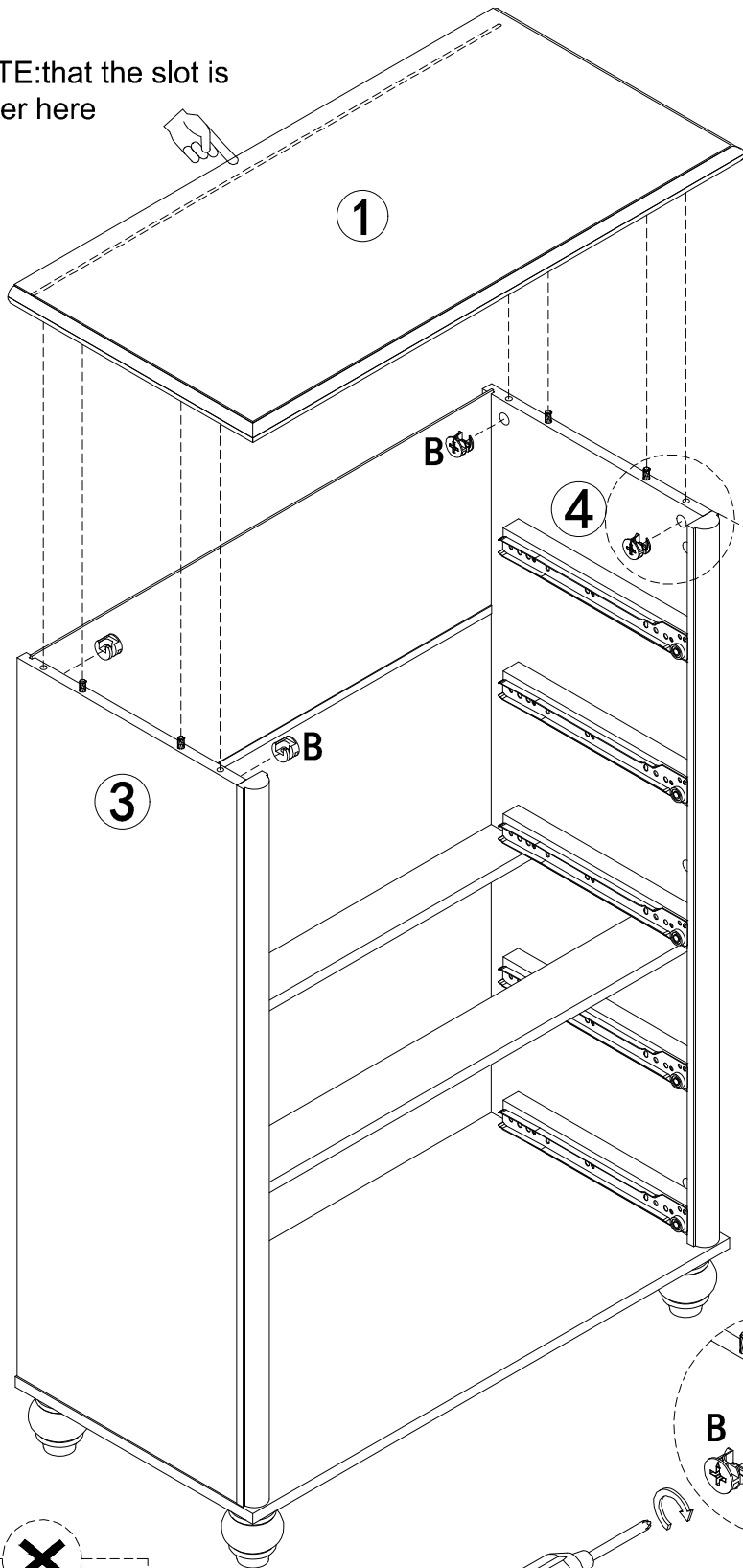
STEP 12


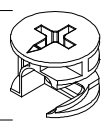



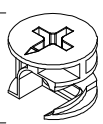
STEP 13

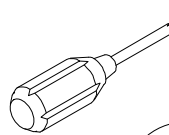
B
11.5mm

X 4PCS

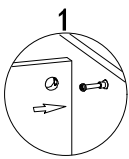
NOTE: that the slot is under here

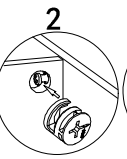


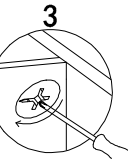


B
11.5mm



C
9.5mm

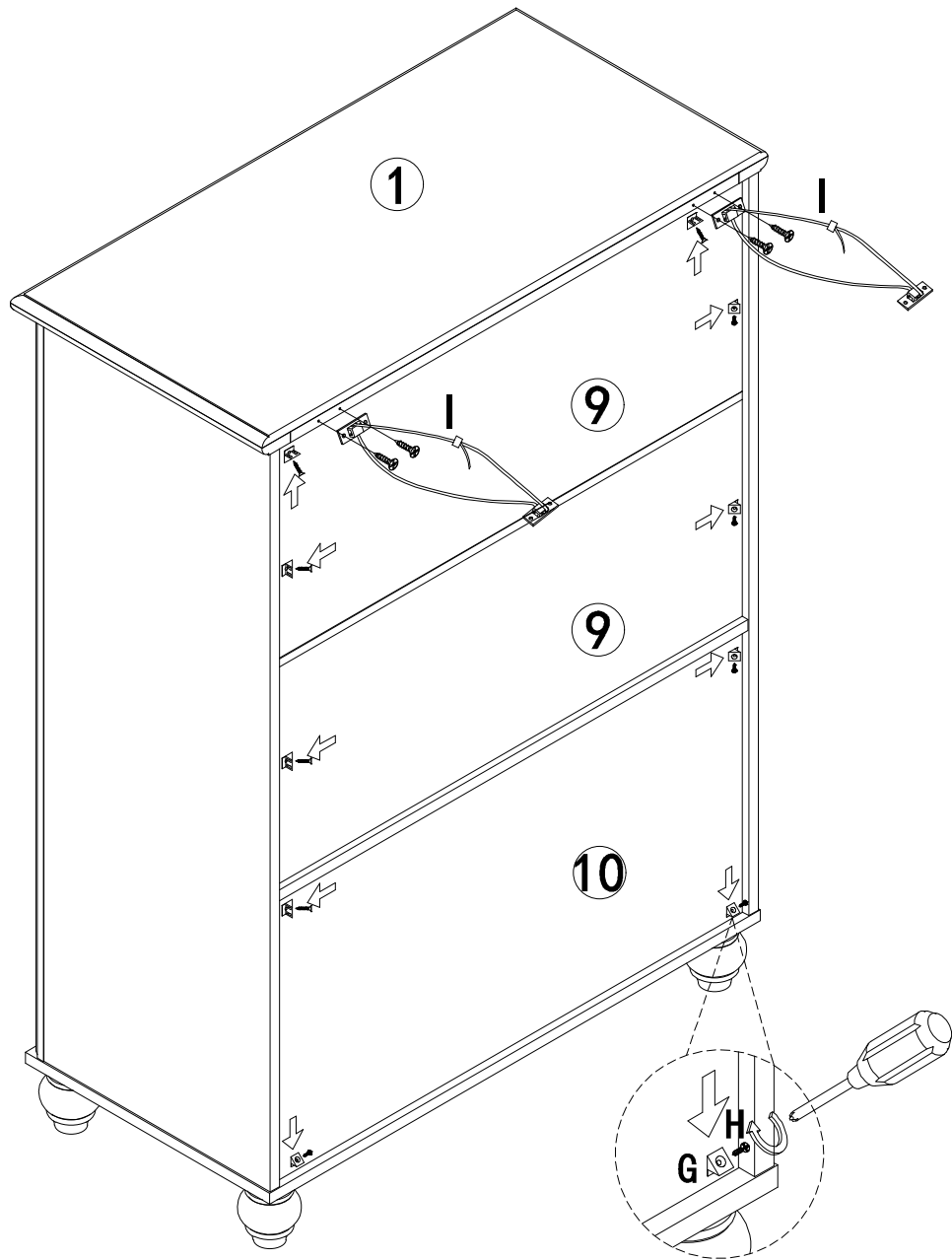
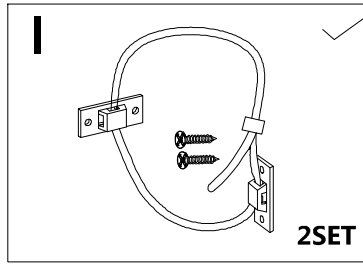
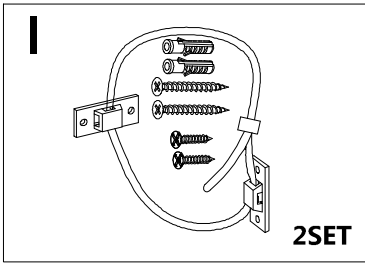
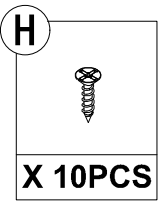
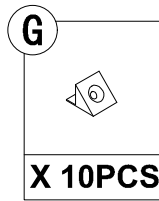
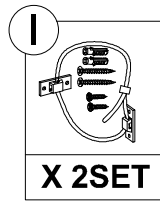



1

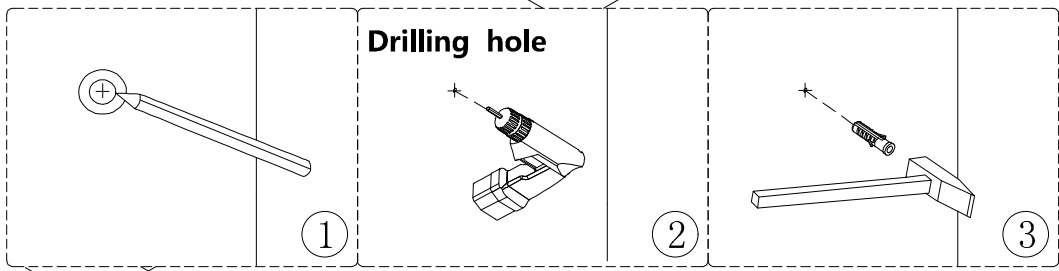

2


3

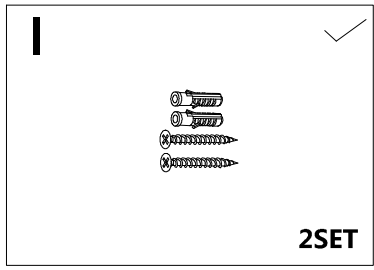
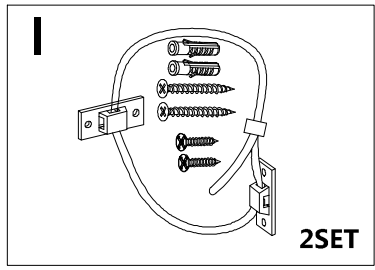
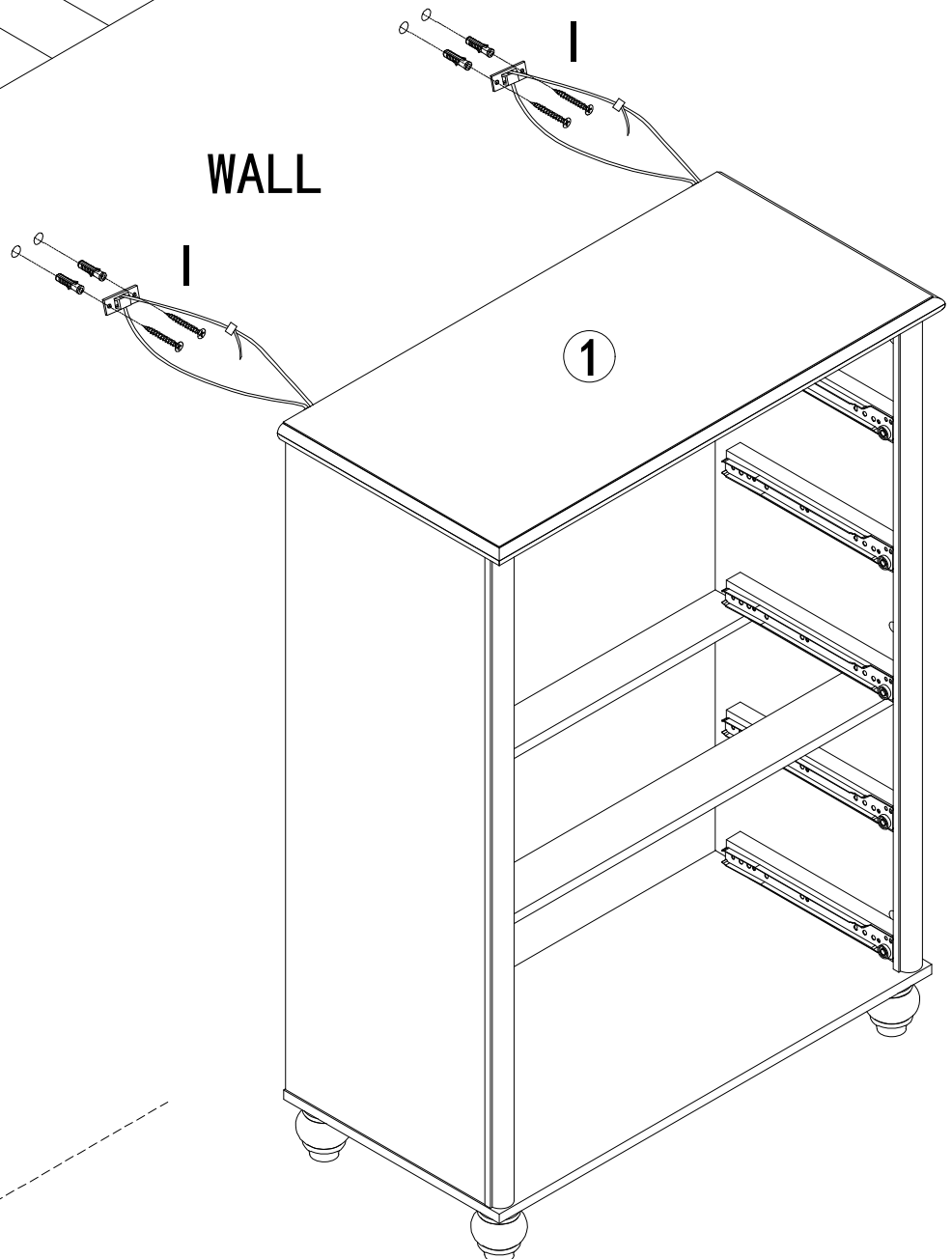
STEP 14



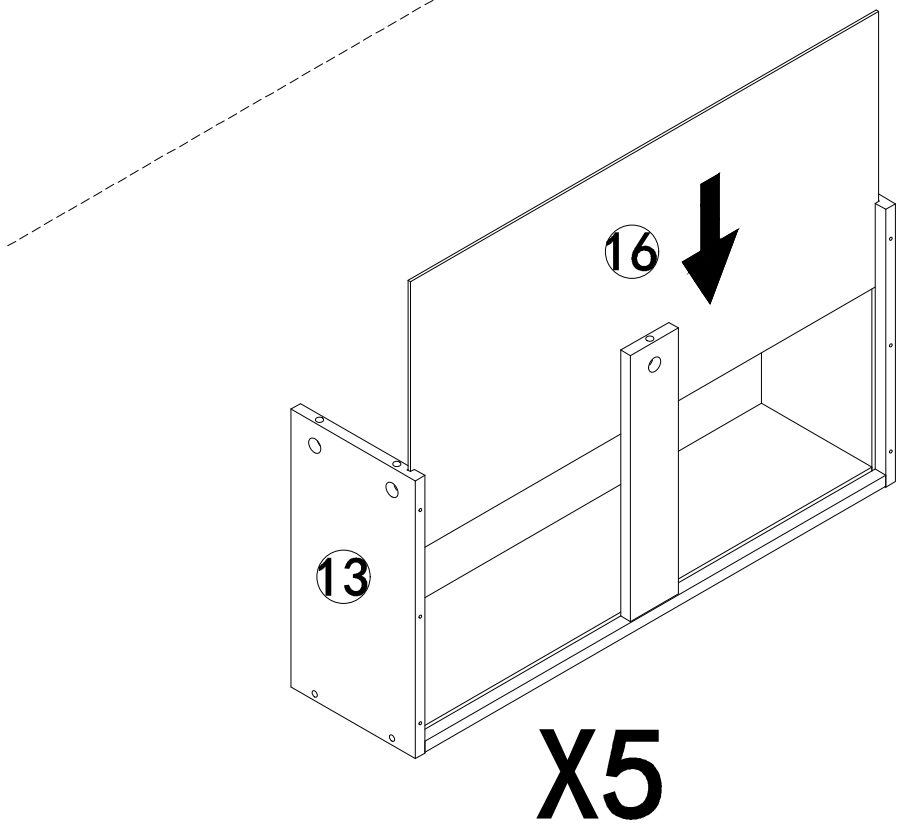
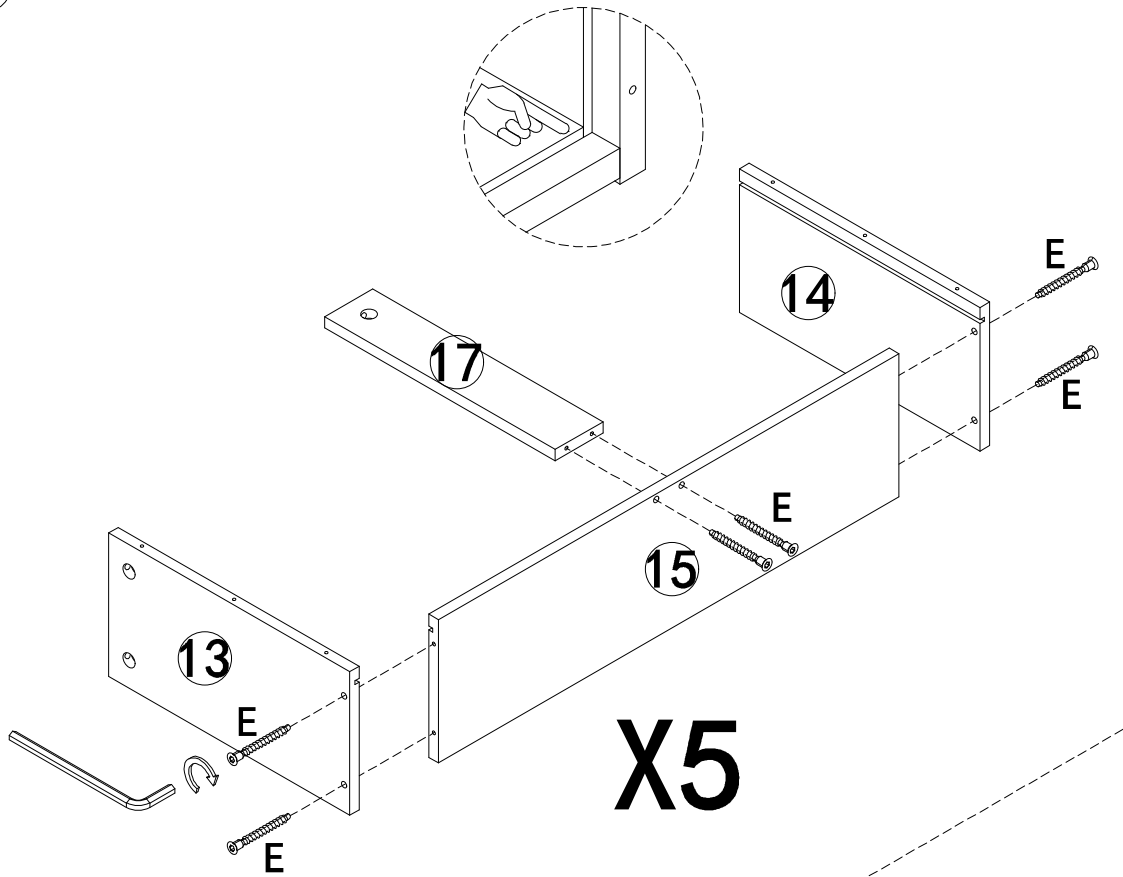
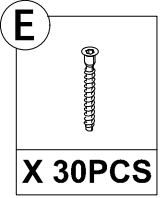
STEP 15



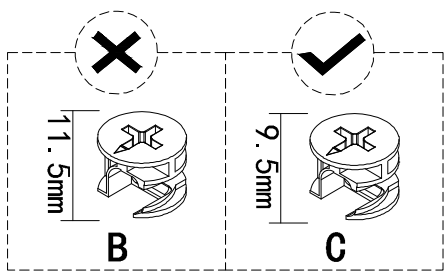
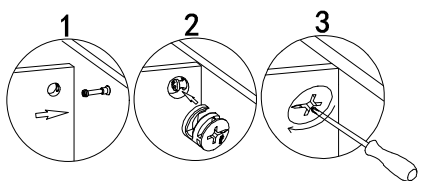
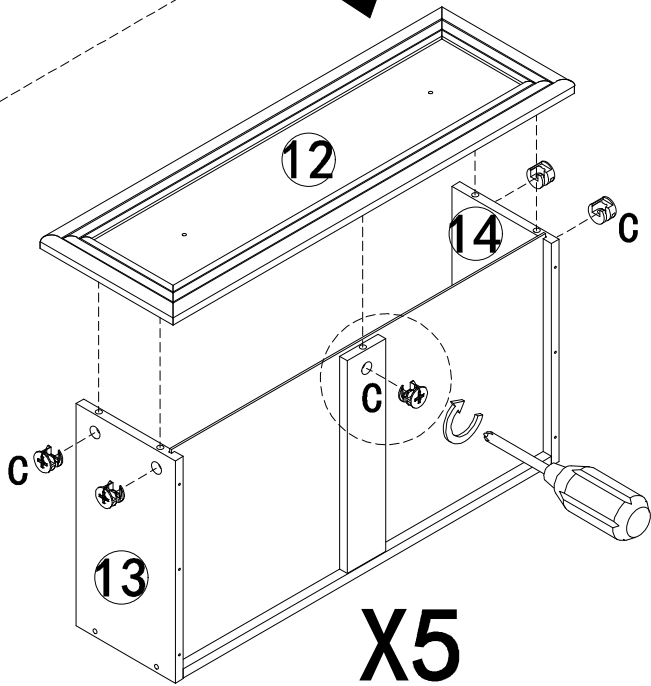
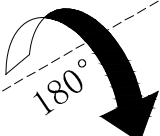
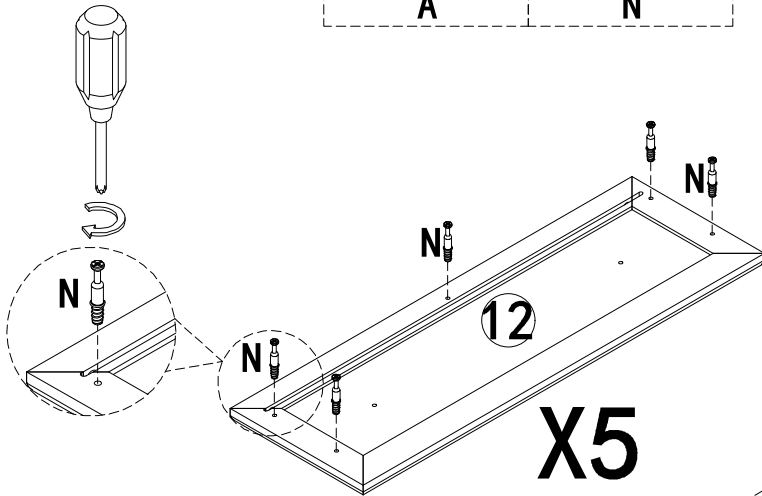
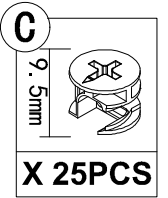
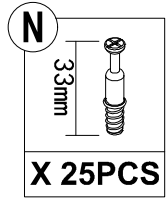
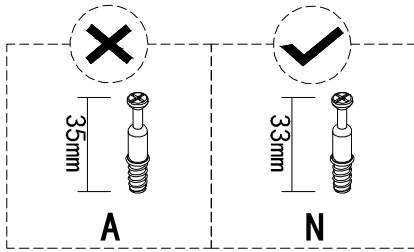
WALL



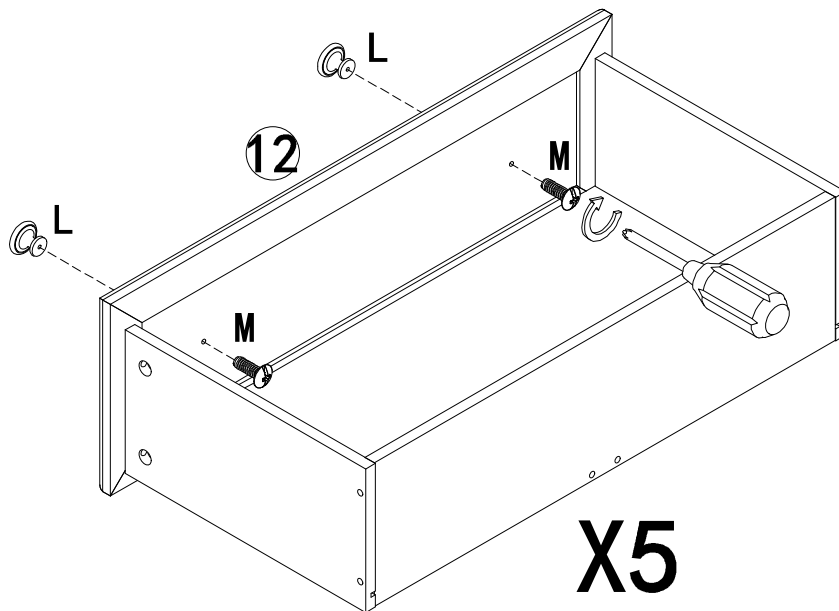
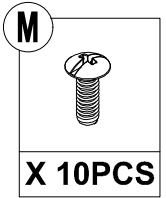
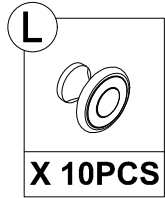
STEP 16



STEP 17




STEP 18

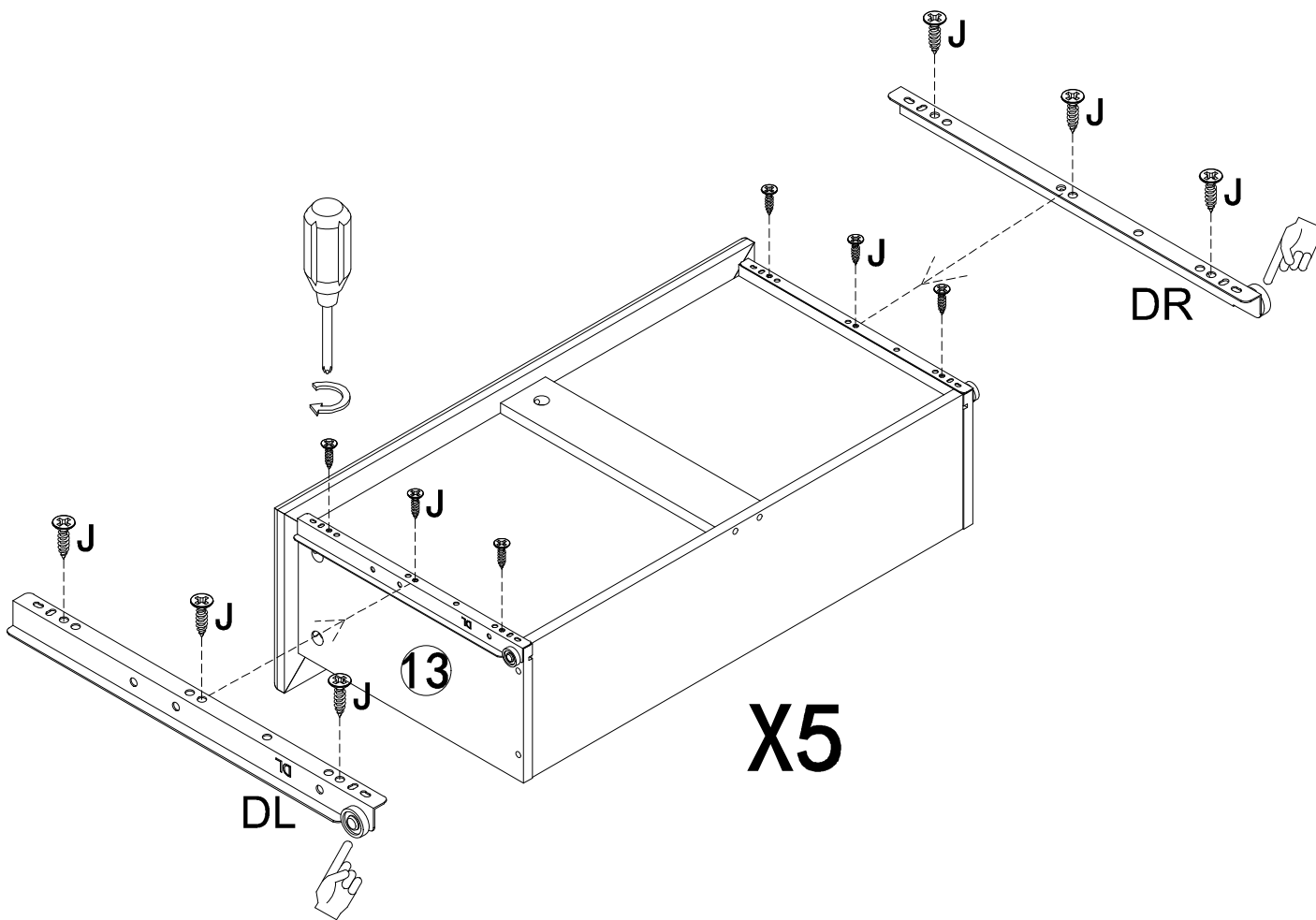


STEP 19

J



X 30PCS



STEP 20

