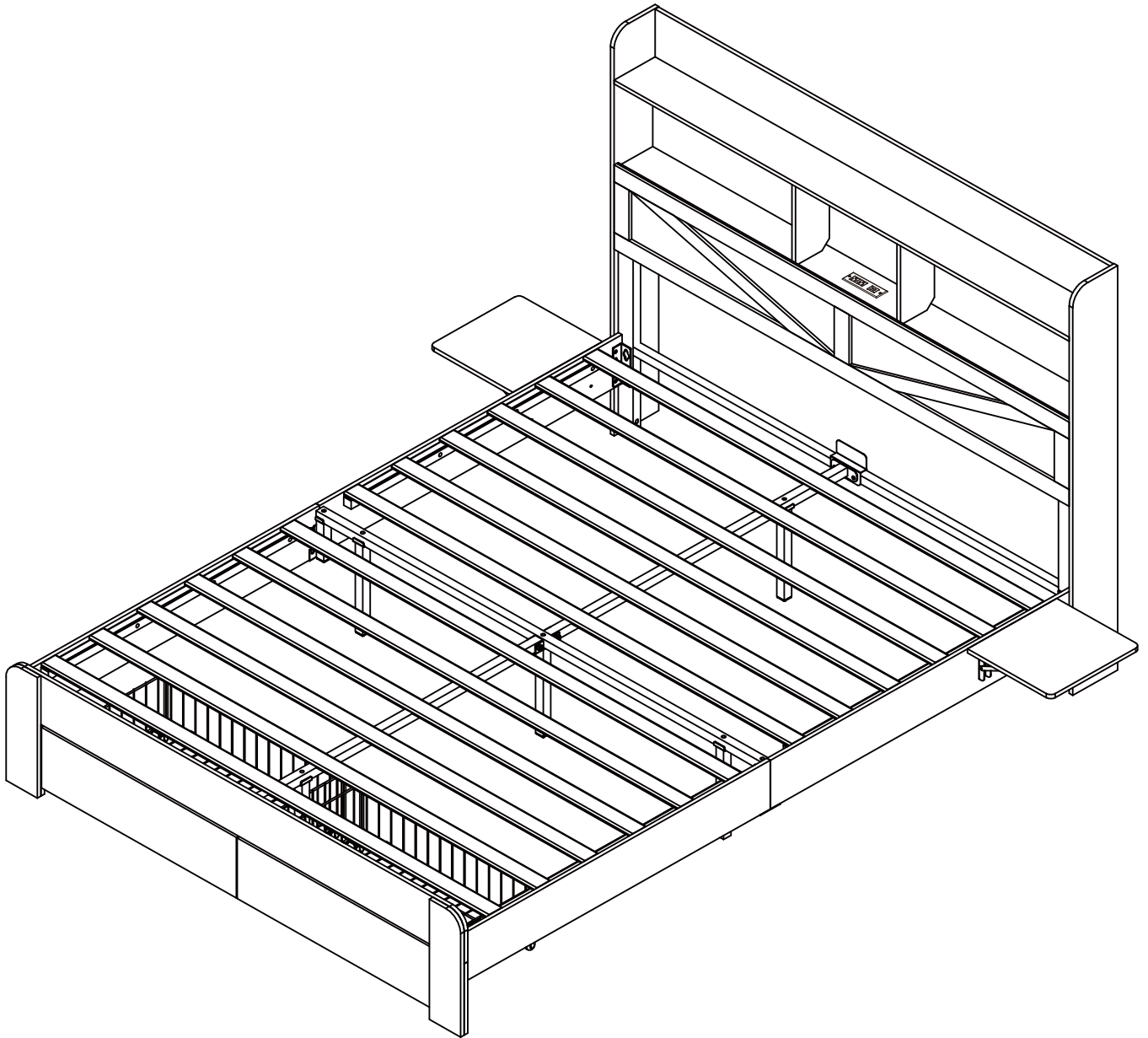


Assembly Instructions

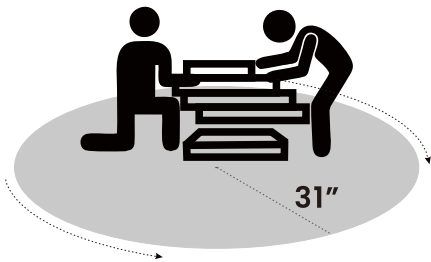
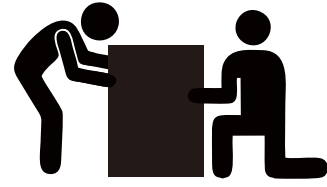
Wooden storage bed frame

Model:BF03-Queen



MADE IN P.R.C.

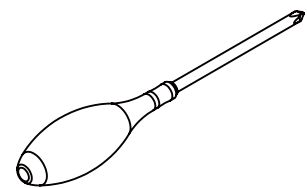
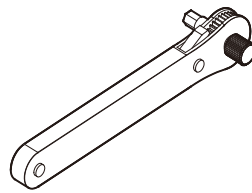
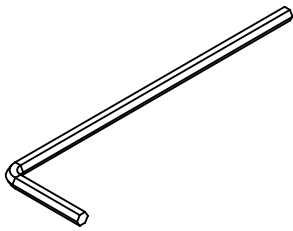
Thank you for your choice. If you encounter any problems, please feel free to contact us at **OHOHOLIVE-Service@outlook**. We will provide you with a solution. We greatly value your valuable suggestions and feedback.



Sufficient space

Leave at least **80 cm (31 in)** around the product to ensure that there is enough space for easy movement and assembly.

Tools required for assembly



WARNING :

Be careful not to let children swallow the assembling parts

Please put the unpacked plastic bag or foam back into the carton for easy disposal

Achten Sie darauf, dass Kinder die Montageteile nicht verschlucken.

Bitte legen Sie die ausgepackte Plastiktüte oder den Schaumstoff zur einfachen Entsorgung wieder in den Karton.

注意不要让儿童吞下组装部件

请将拆开的塑料袋或泡沫放回纸箱中，以便于处理

子供が組み立て部品を飲み込まないように注意してください

開封したビニール袋または発泡スチロールは、簡単に処分できるようにカートンに戻してください

어린이가 조립 부품을 삼키지 않도록 주의하세요

포장을 뜯 비닐 봉지나 폼은 쉽게 폐기할 수 있도록 상자에 다시 넣어주세요

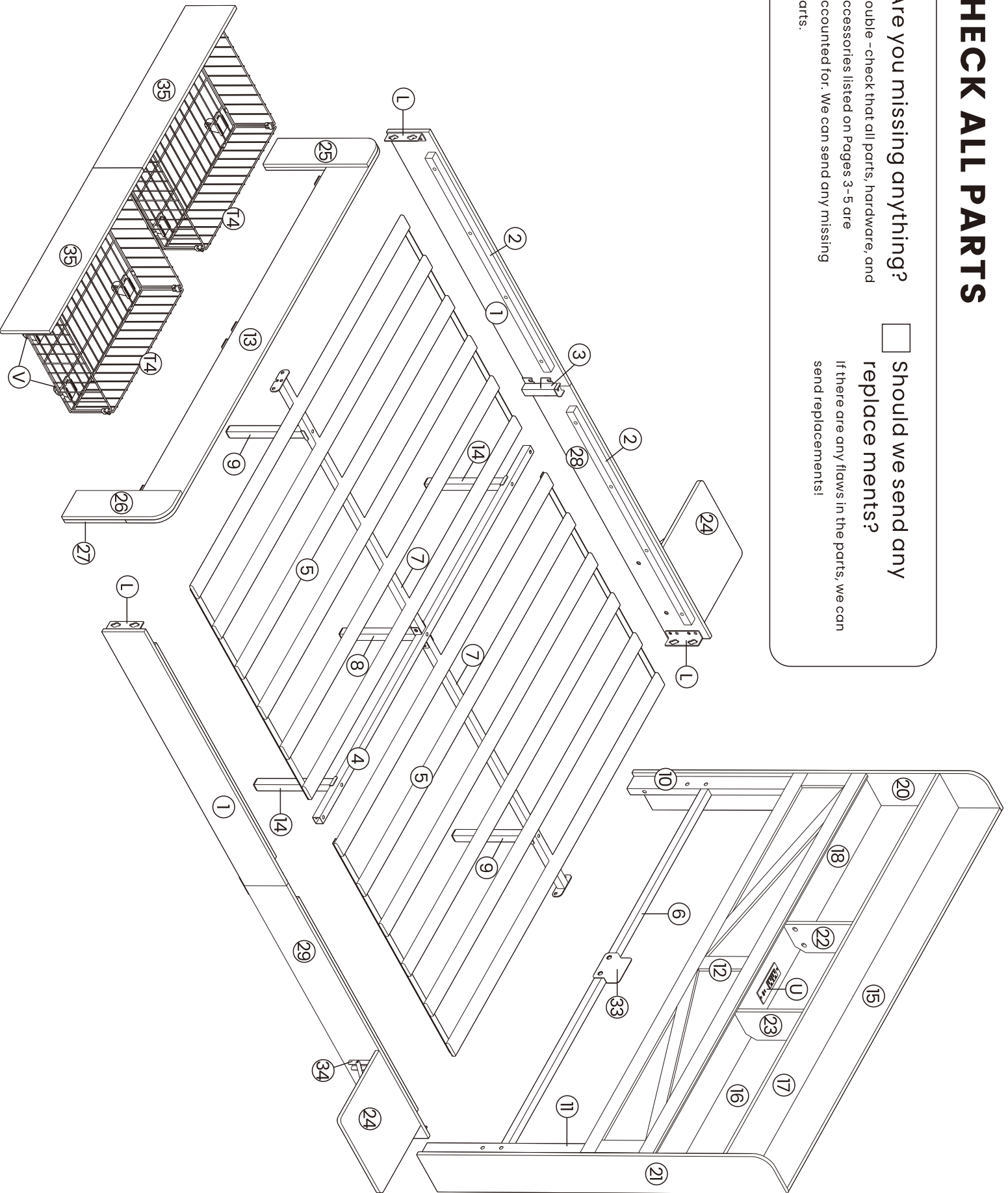
CHECK ALL PARTS

Are you missing anything?

Double-check that all parts, hardware, and accessories listed on Pages 3-5 are accounted for. We can send any missing parts.

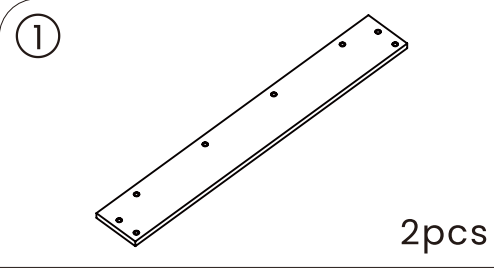
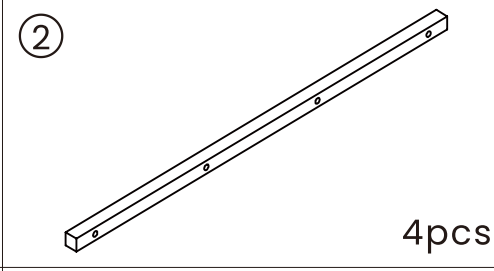
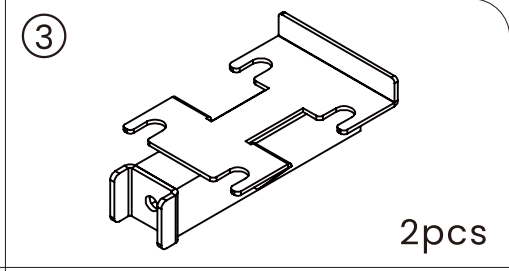
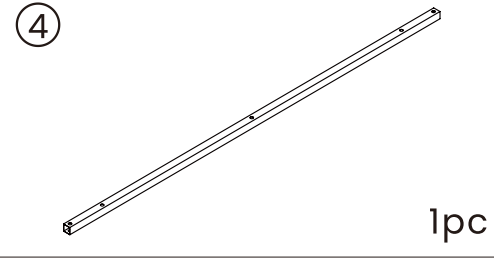
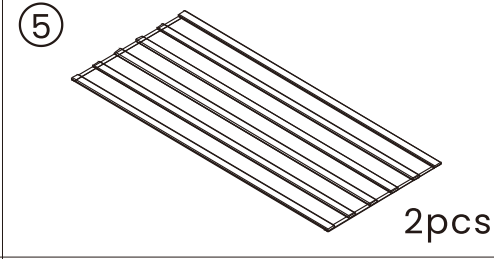
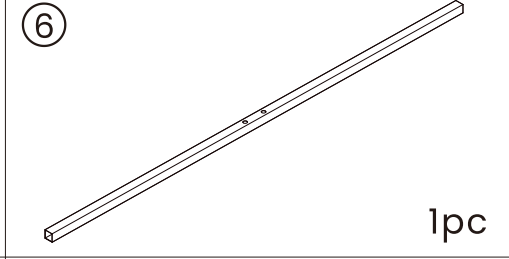
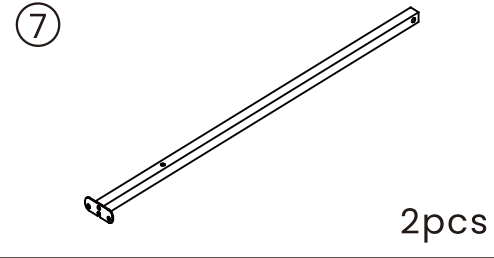
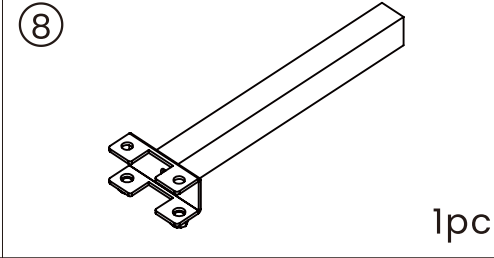
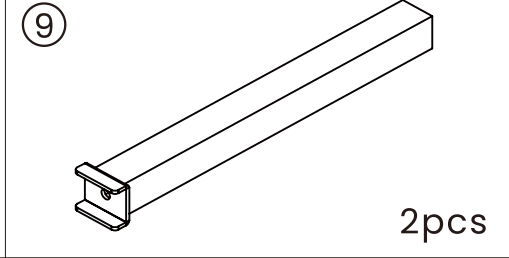
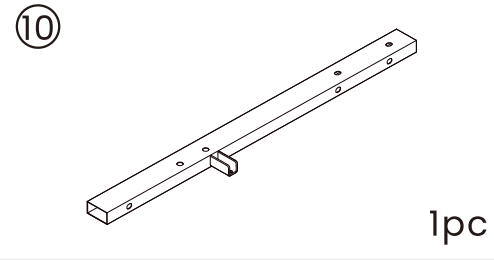
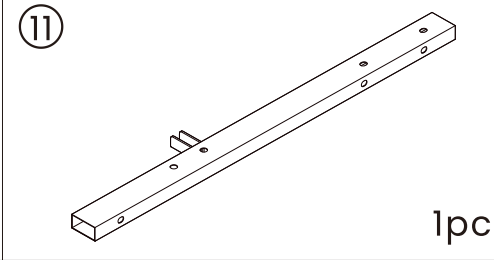
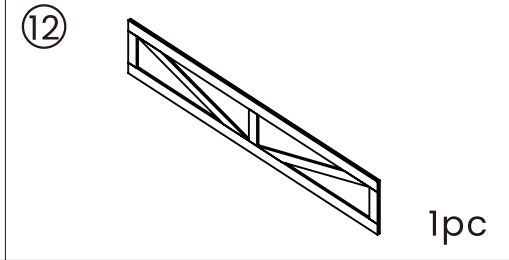
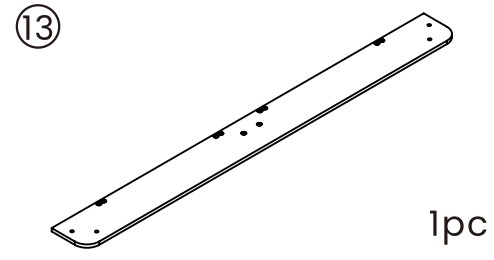
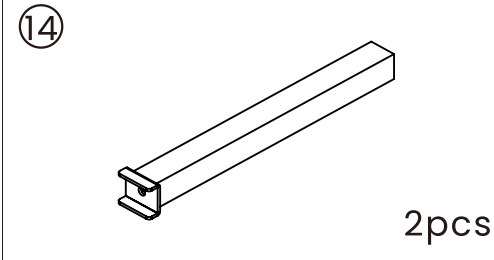
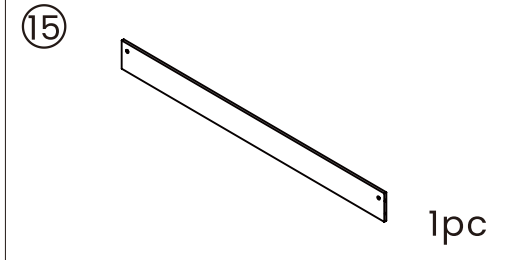
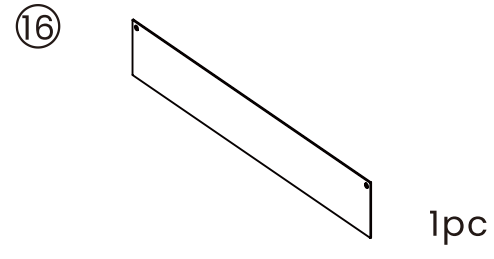
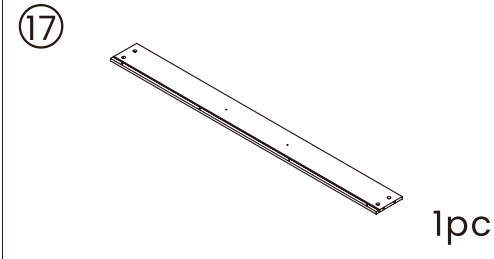
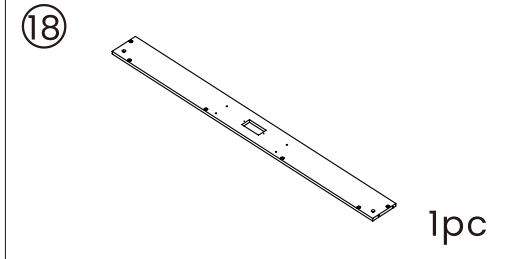
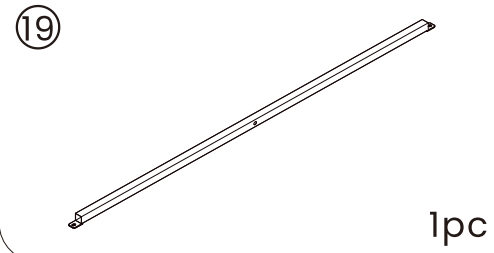
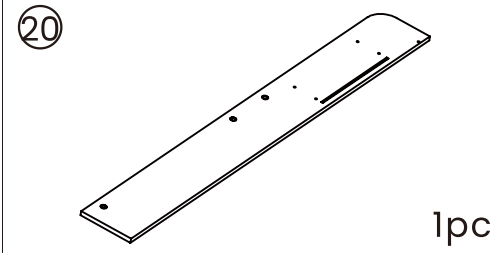
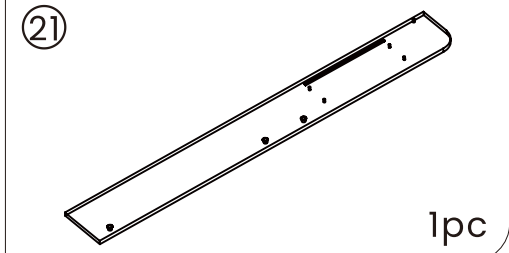
Should we send any replacements?


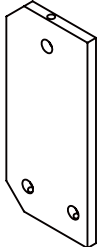
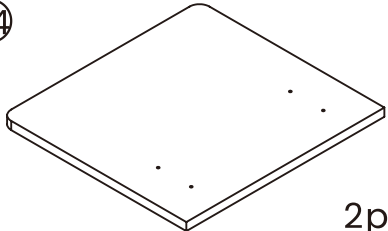
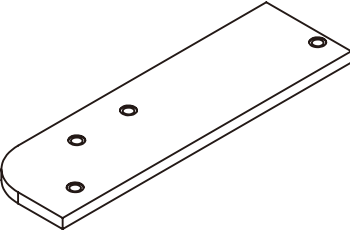
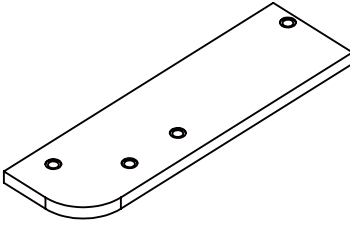
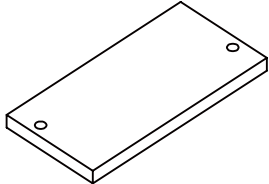
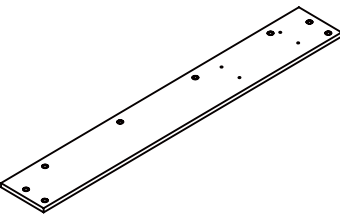
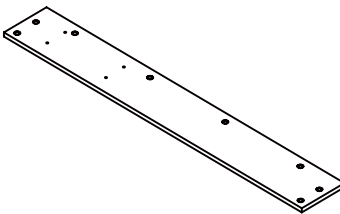
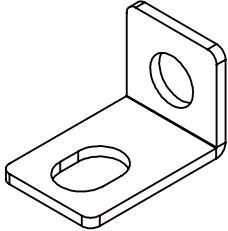
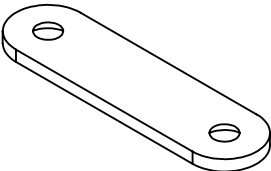
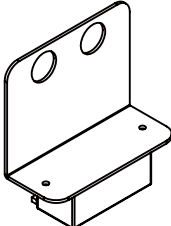
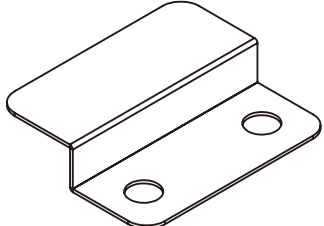
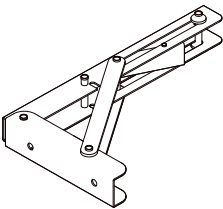
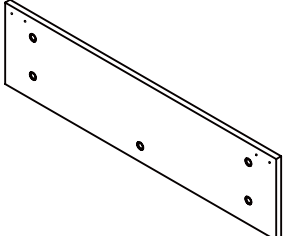
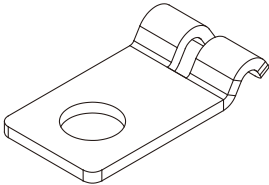
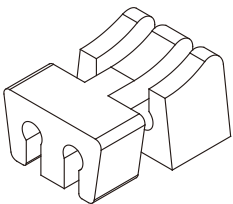
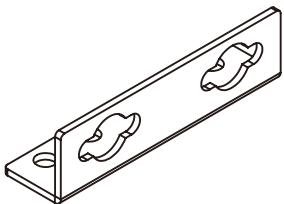
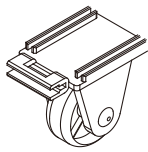
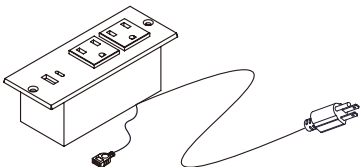
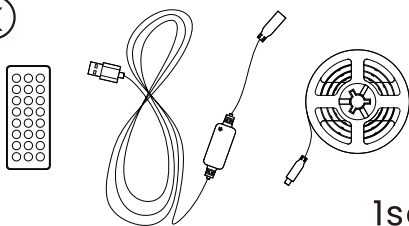
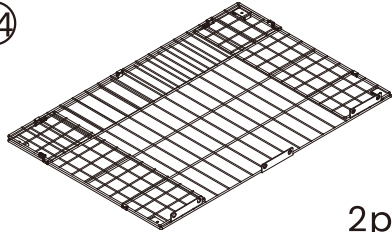
If there are any flaws in the parts, we can send replacements!


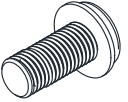
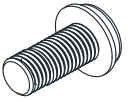
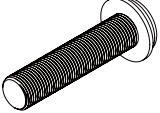
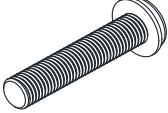
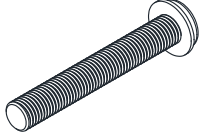


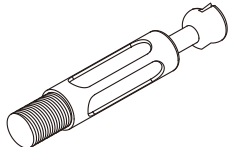
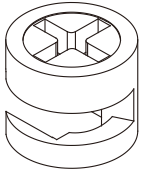
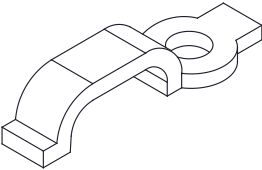
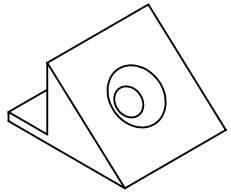
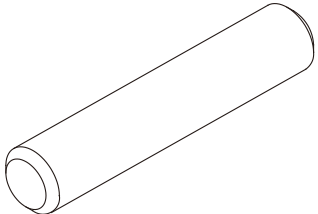
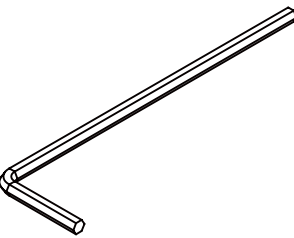
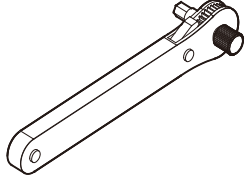
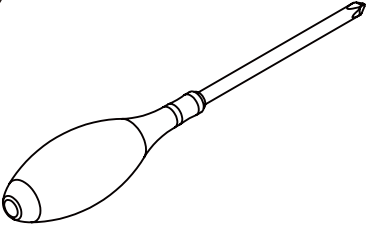


PARTS LIST

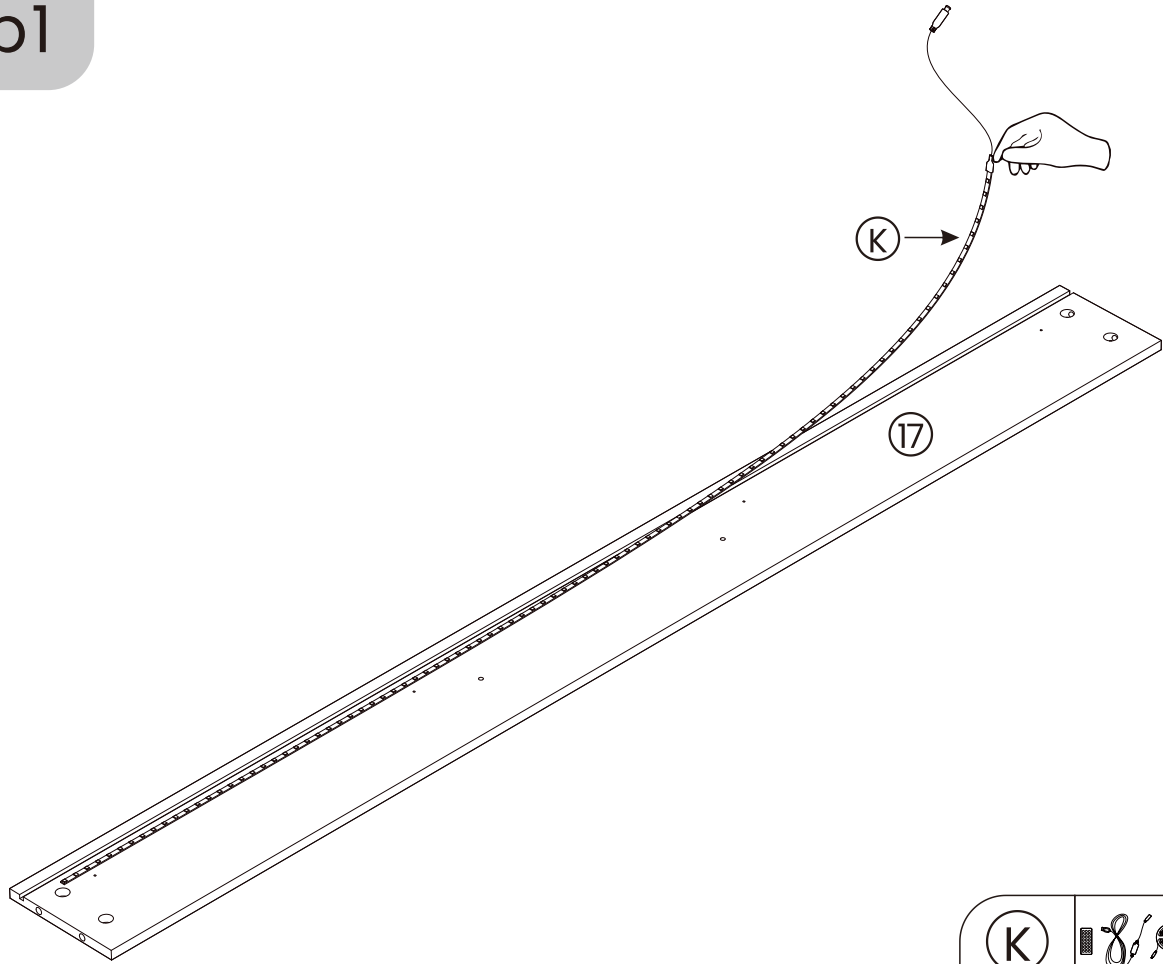
For defective or missing parts, contact us at OHOHOLIVE-Service@outlook.com

 <p>①</p> <p>2pcs</p>	 <p>②</p> <p>4pcs</p>	 <p>③</p> <p>2pcs</p>
 <p>④</p> <p>1pc</p>	 <p>⑤</p> <p>2pcs</p>	 <p>⑥</p> <p>1pc</p>
 <p>⑦</p> <p>2pcs</p>	 <p>⑧</p> <p>1pc</p>	 <p>⑨</p> <p>2pcs</p>
 <p>⑩</p> <p>1pc</p>	 <p>⑪</p> <p>1pc</p>	 <p>⑫</p> <p>1pc</p>
 <p>⑬</p> <p>1pc</p>	 <p>⑭</p> <p>2pcs</p>	 <p>⑮</p> <p>1pc</p>
 <p>⑯</p> <p>1pc</p>	 <p>⑰</p> <p>1pc</p>	 <p>⑱</p> <p>1pc</p>
 <p>⑲</p> <p>1pc</p>	 <p>⑳</p> <p>1pc</p>	 <p>㉑</p> <p>1pc</p>

<p>22</p>  <p>1pc</p>	<p>23</p>  <p>1pc</p>	<p>24</p>  <p>2pcs</p>
<p>25</p>  <p>1pc</p>	<p>26</p>  <p>1pc</p>	<p>27</p>  <p>2pcs</p>
<p>28</p>  <p>1pc</p>	<p>29</p>  <p>1pc</p>	<p>30</p>  <p>6pcs</p>
<p>31</p>  <p>4pcs</p>	<p>32</p>  <p>4pcs</p>	<p>33</p>  <p>1pc</p>
<p>34</p>  <p>4pcs</p>	<p>35</p>  <p>2pcs</p>	<p>36</p>  <p>2pcs</p>
<p>37</p>  <p>8pcs</p>	<p>L</p>  <p>4pcs</p>	<p>V</p>  <p>8pcs</p>
<p>U</p>  <p>1pc</p>	<p>K</p>  <p>1set</p>	<p>T4</p>  <p>2pcs</p>

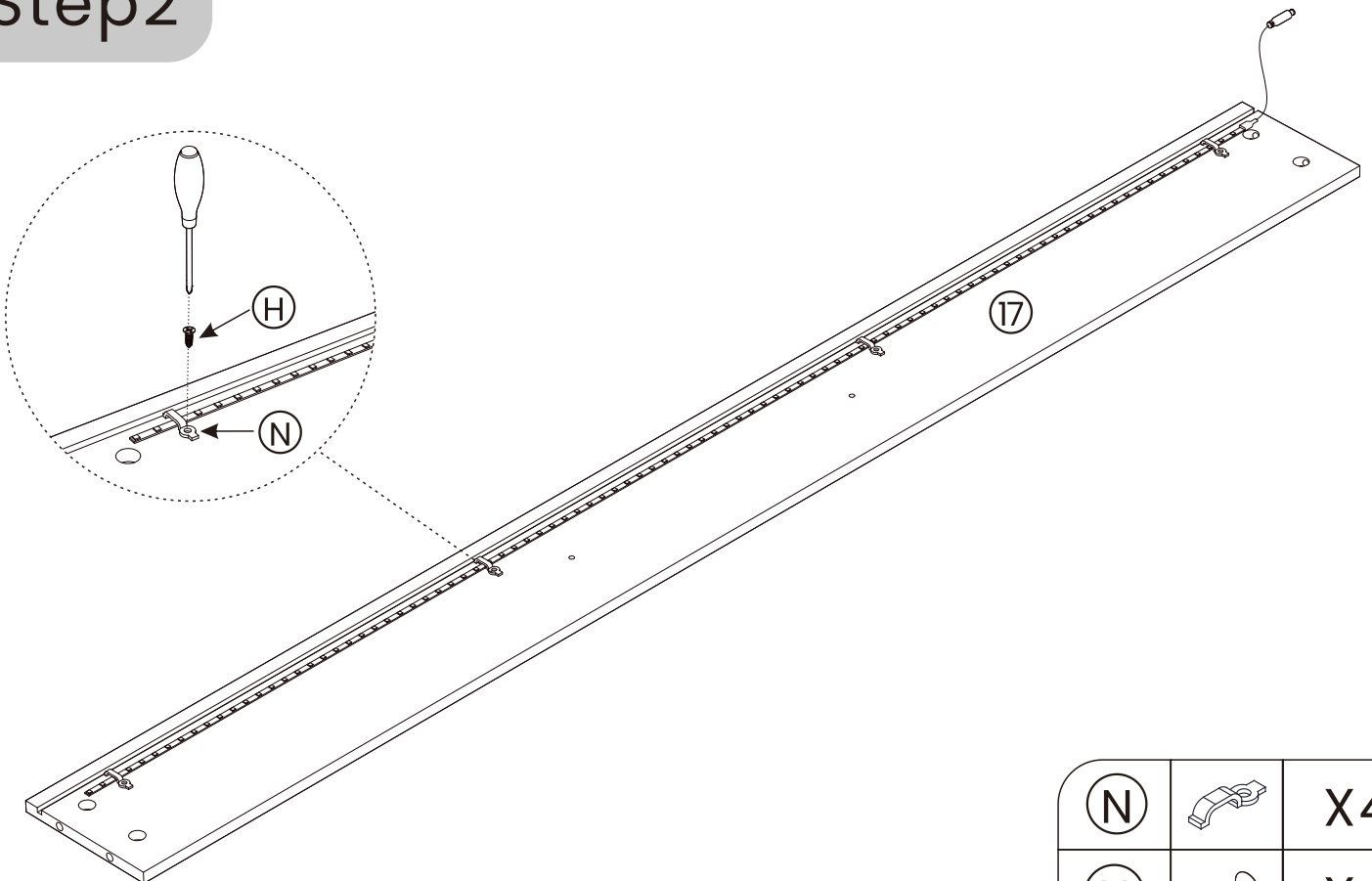
<p>(A) M8*12</p>  <p>48pcs</p>	<p>(B) M8*20</p>  <p>6pcs</p>	<p>(C) M8*25</p>  <p>4pcs</p>
<p>(D) M8*33</p>  <p>24pcs</p>	<p>(E) M8*38</p>  <p>9pcs</p>	<p>(F) M8*60</p>  <p>6pcs</p>
<p>(G) M5*12</p>  <p>8pcs</p>	<p>(H) St3.2*12</p>  <p>34pcs</p>	<p>(I)</p>  <p>20pcs</p>
<p>(J)</p>  <p>20pcs</p>	<p>(N)</p>  <p>4pcs</p>	<p>(M)</p>  <p>12pcs</p>
<p>(P)</p>  <p>4pcs</p>	<p>(O)</p>  <p>1pc</p>	<p>(Q)</p>  <p>1pc</p>
<p>(R)</p>  <p>1pc</p>		



Step1



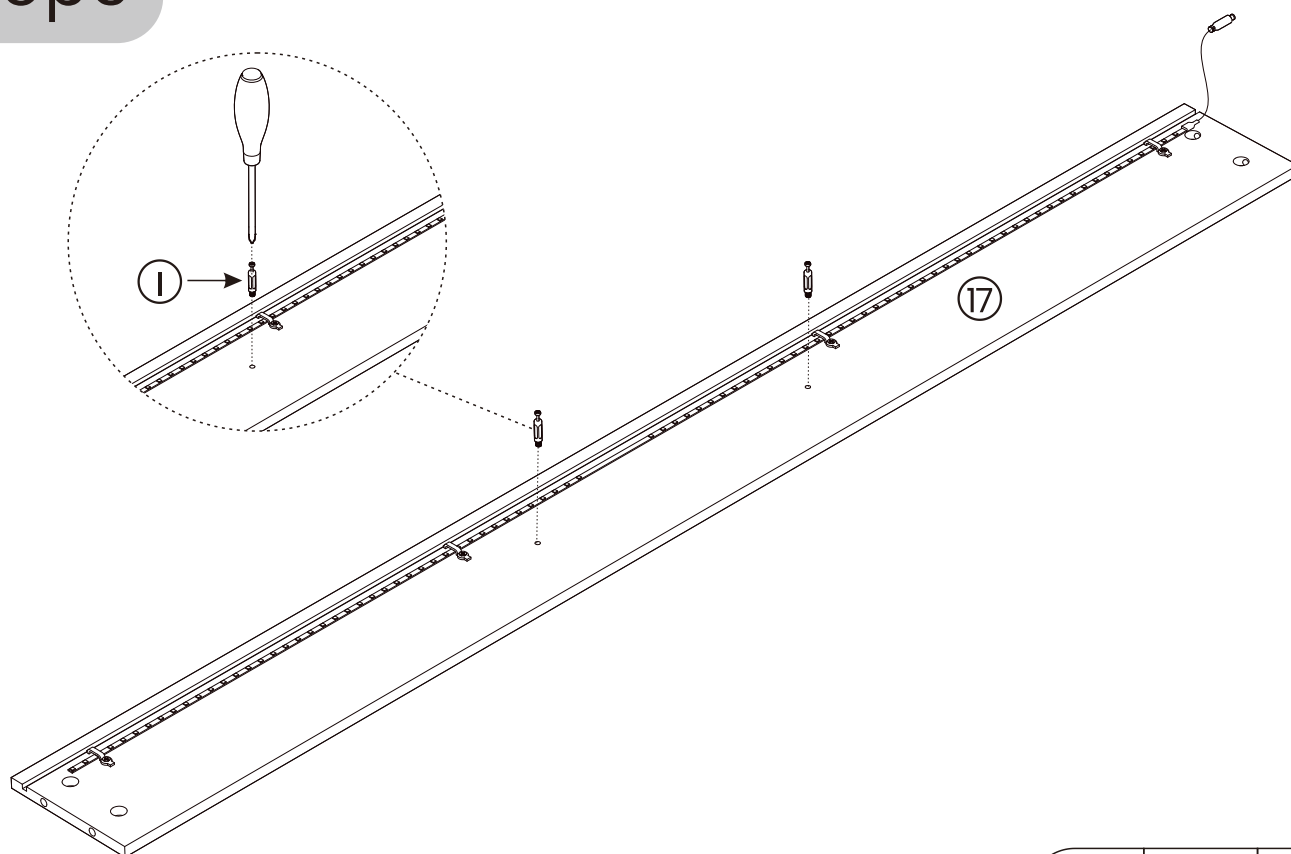
(K)		X1
-----	---	----

Step2



(N)		X4
(H)		X4

Step3

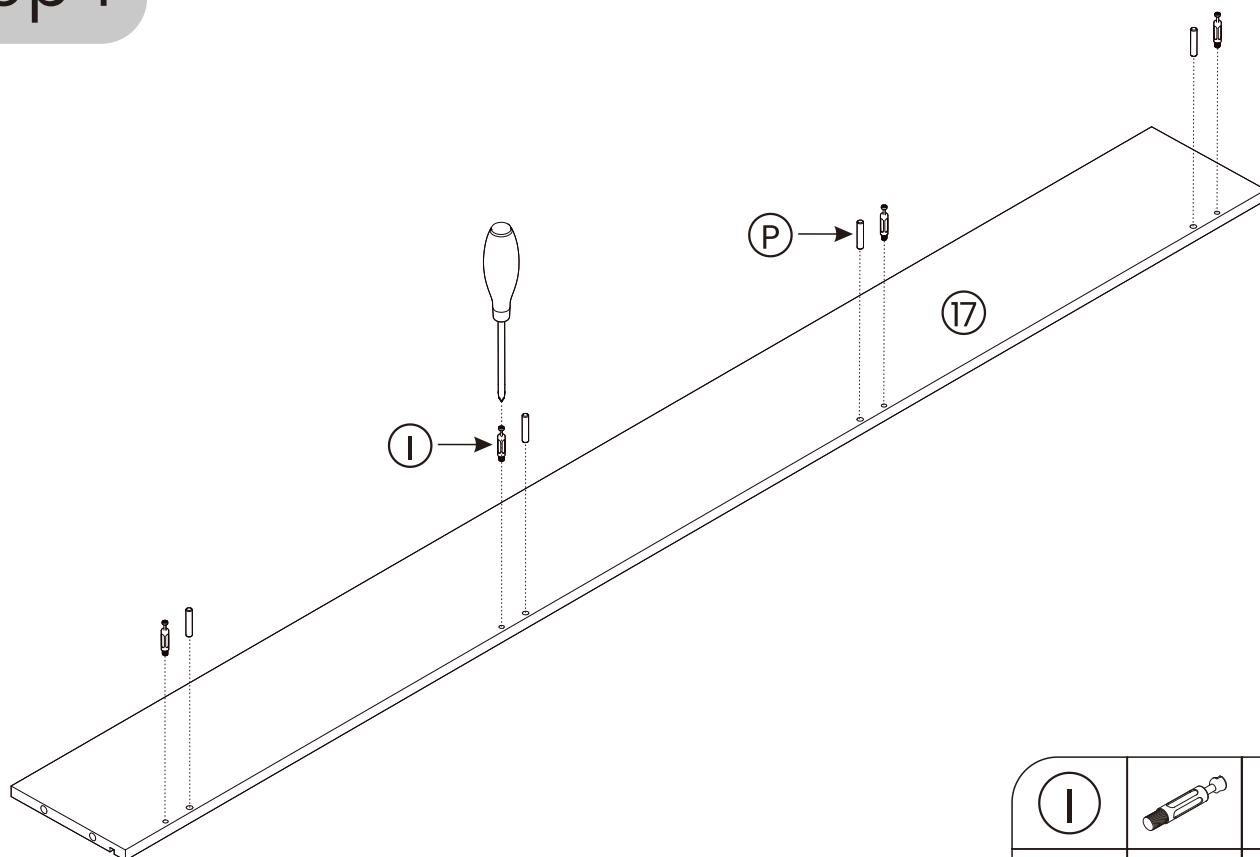


I



X2

Step4



I



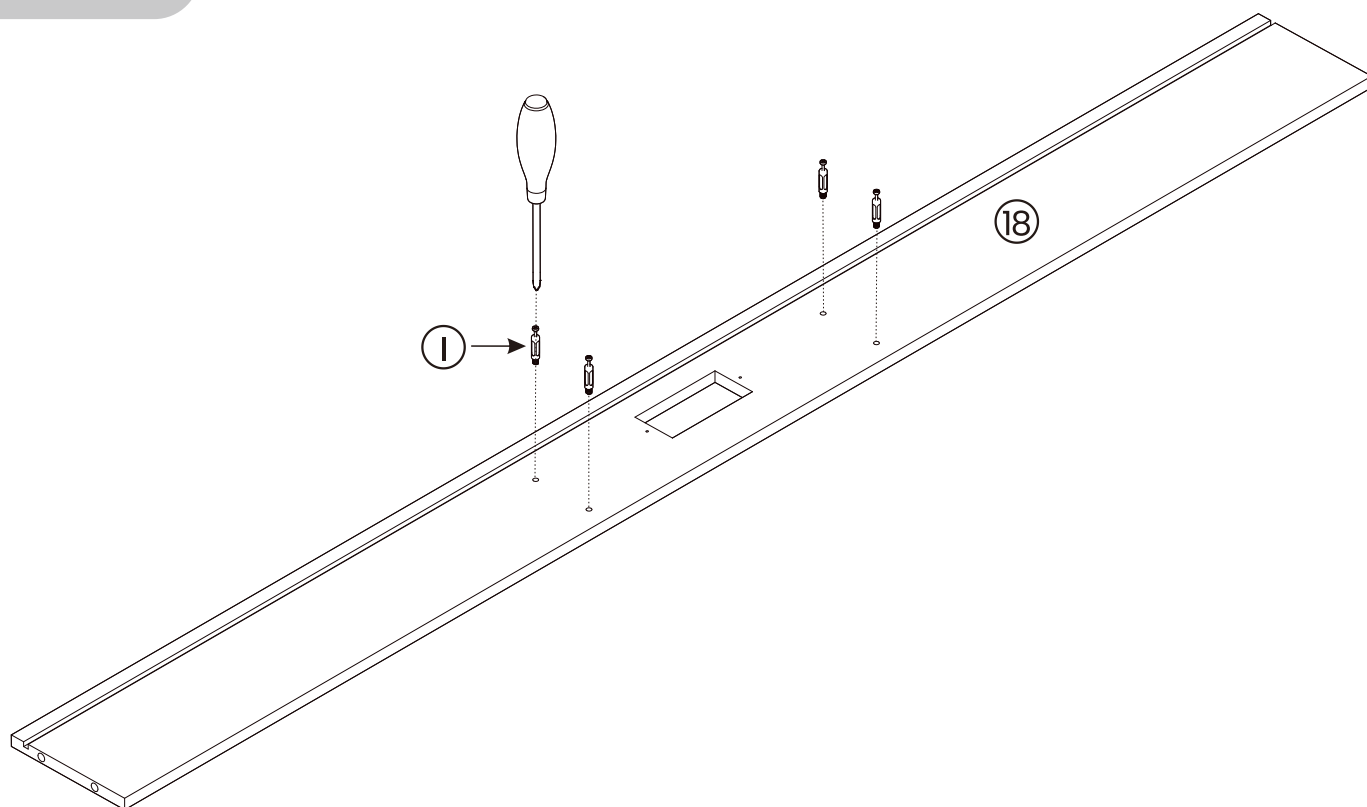
X4


P



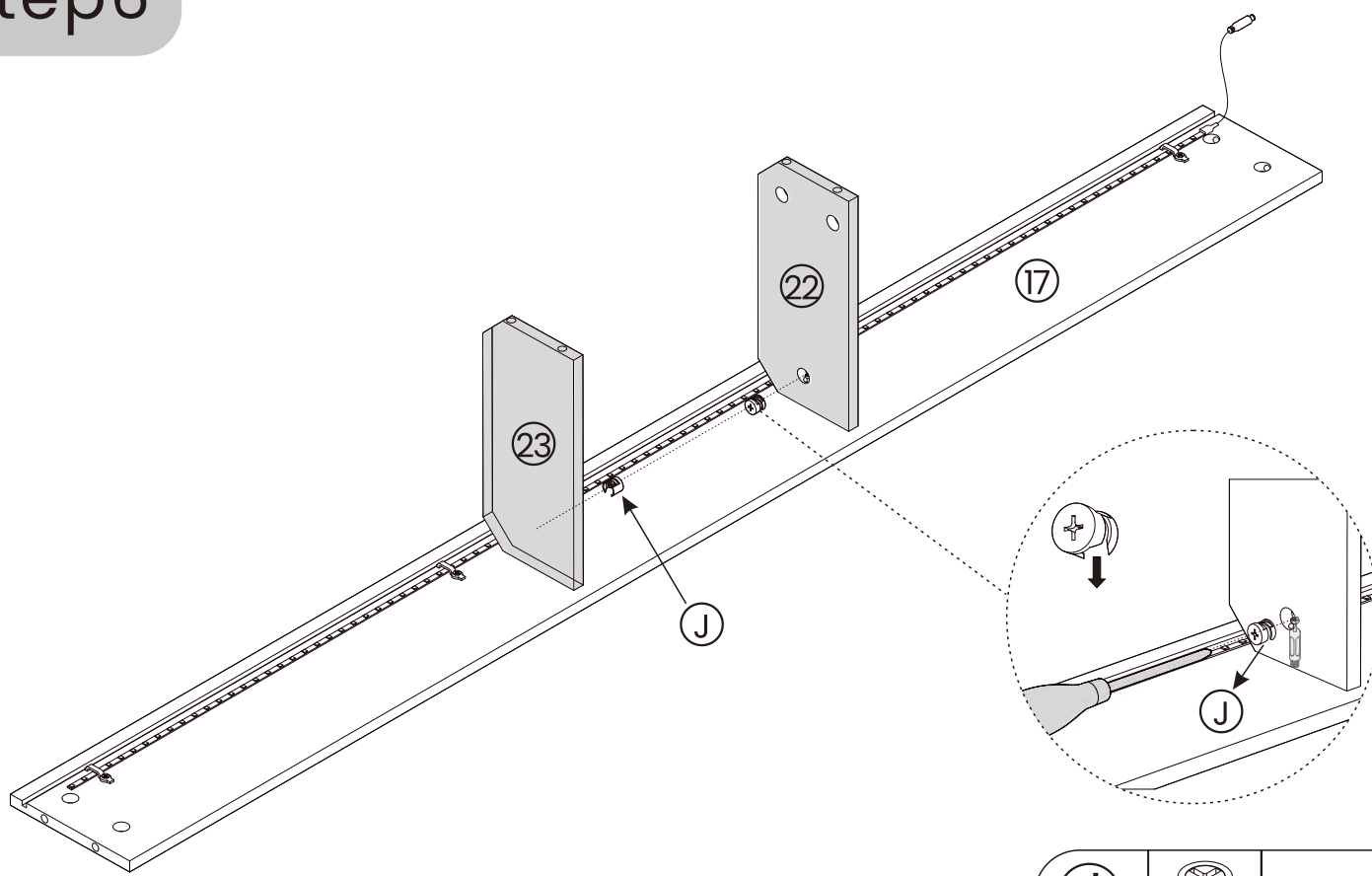
X4

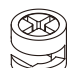
Step 5



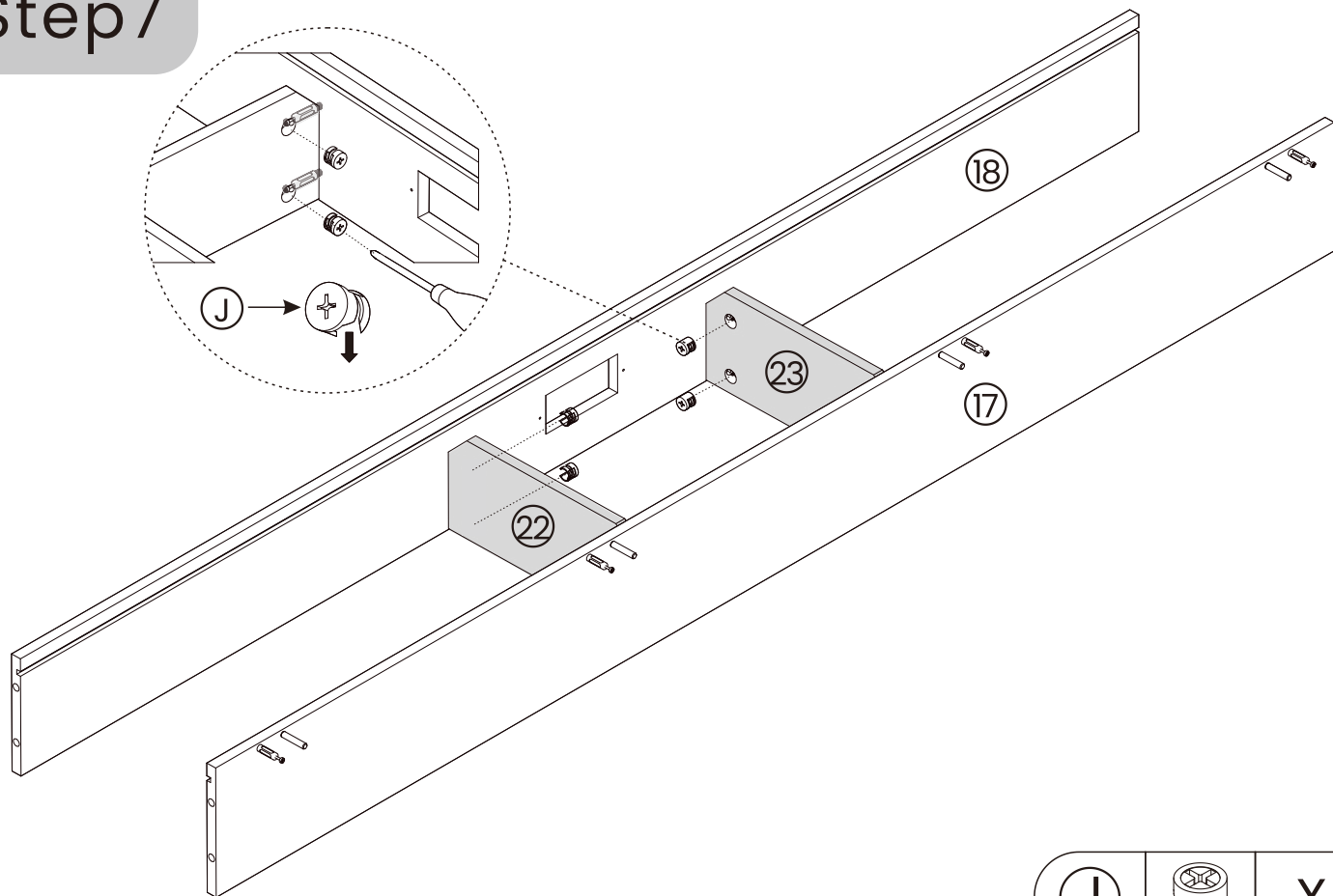
I		X4
---	---	----

Step 6



J		X2
---	---	----

Step 7

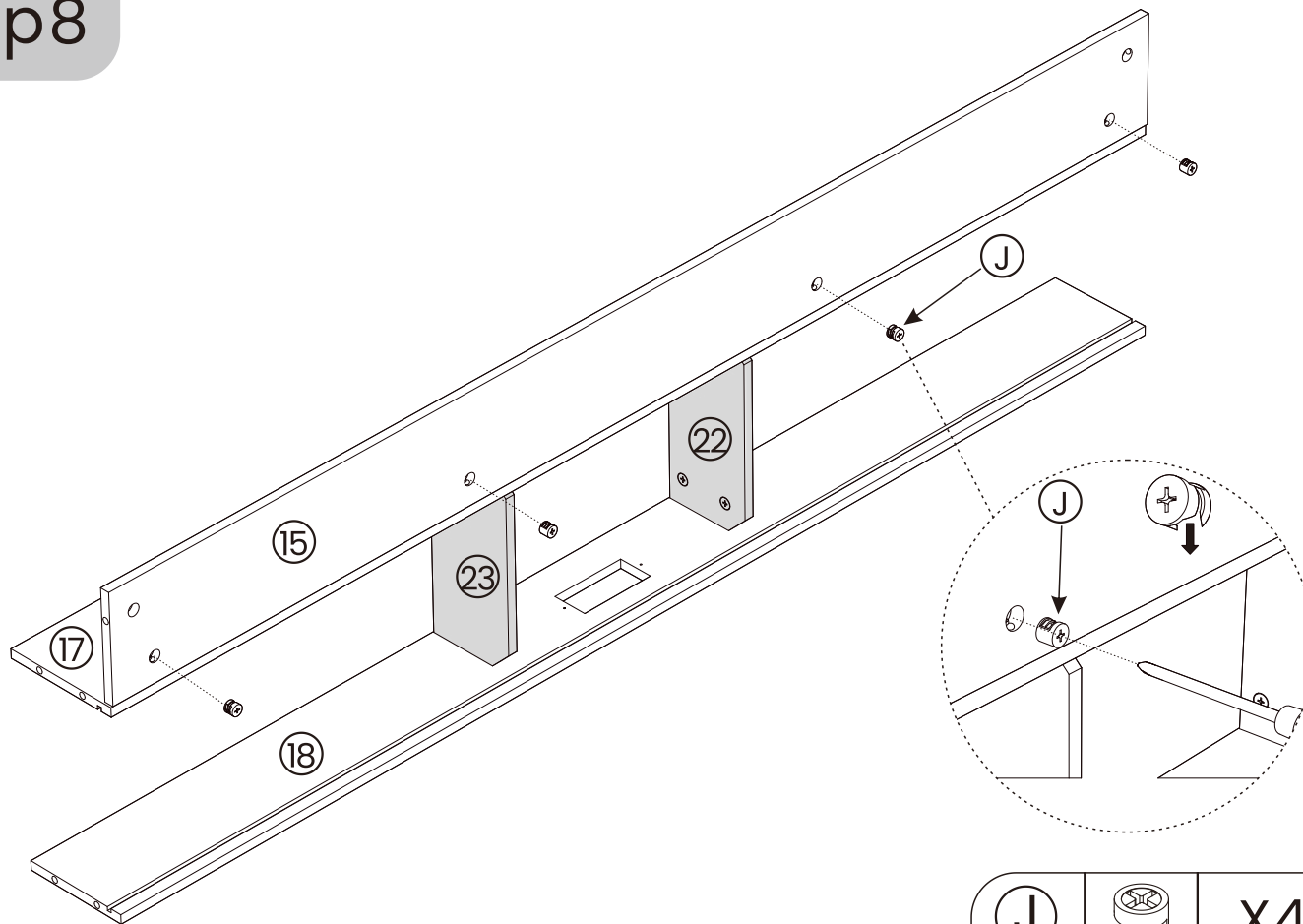


J



X4

Step 8

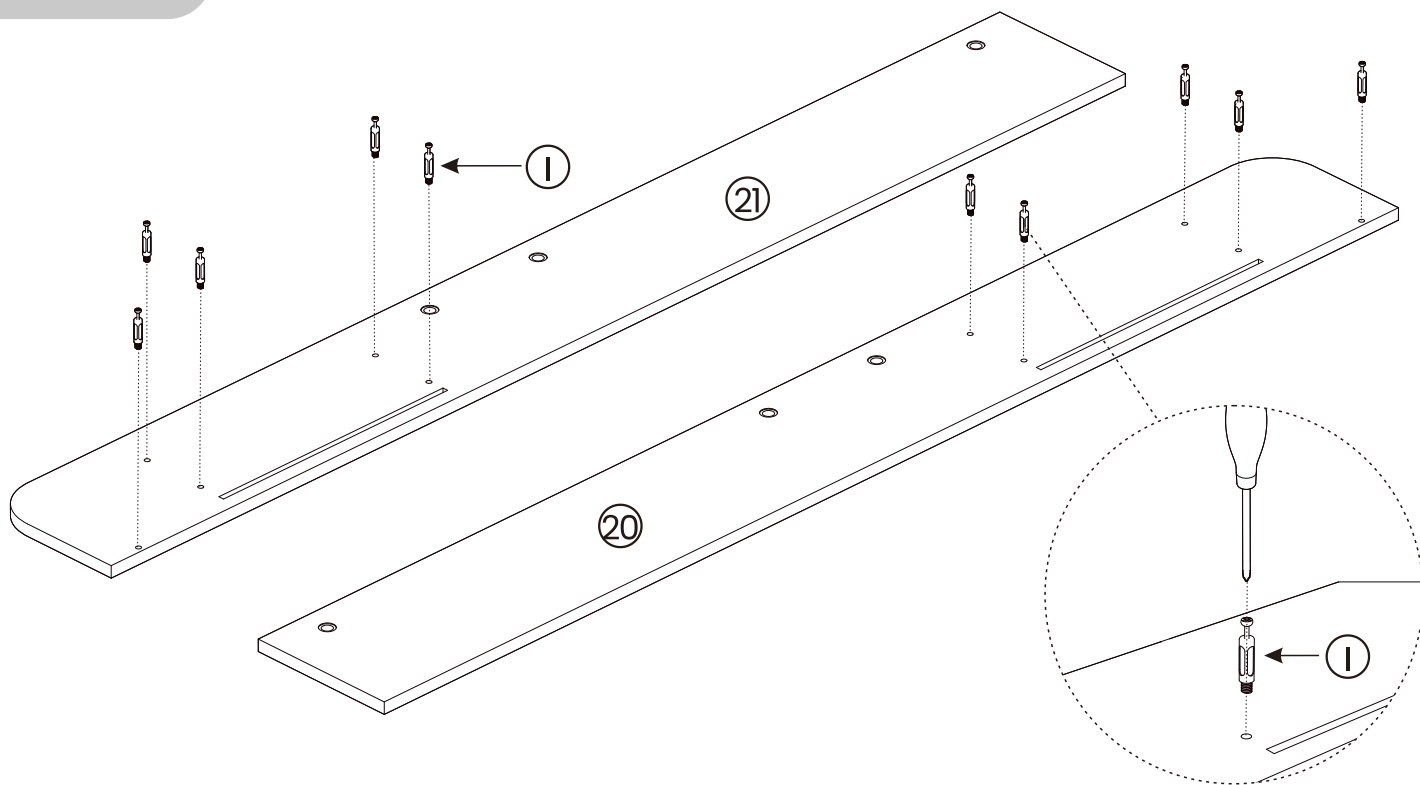


J



X4

Step 9

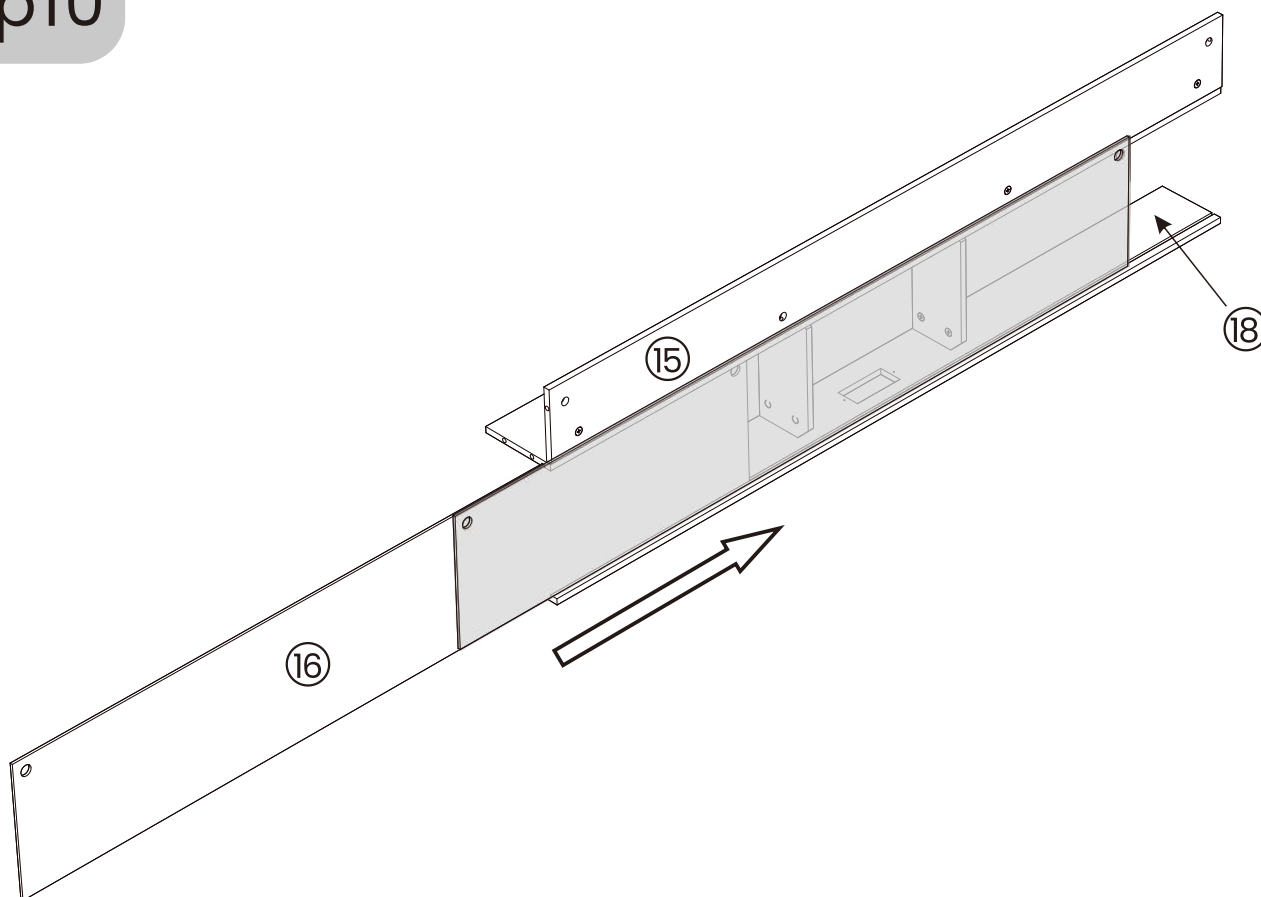


1

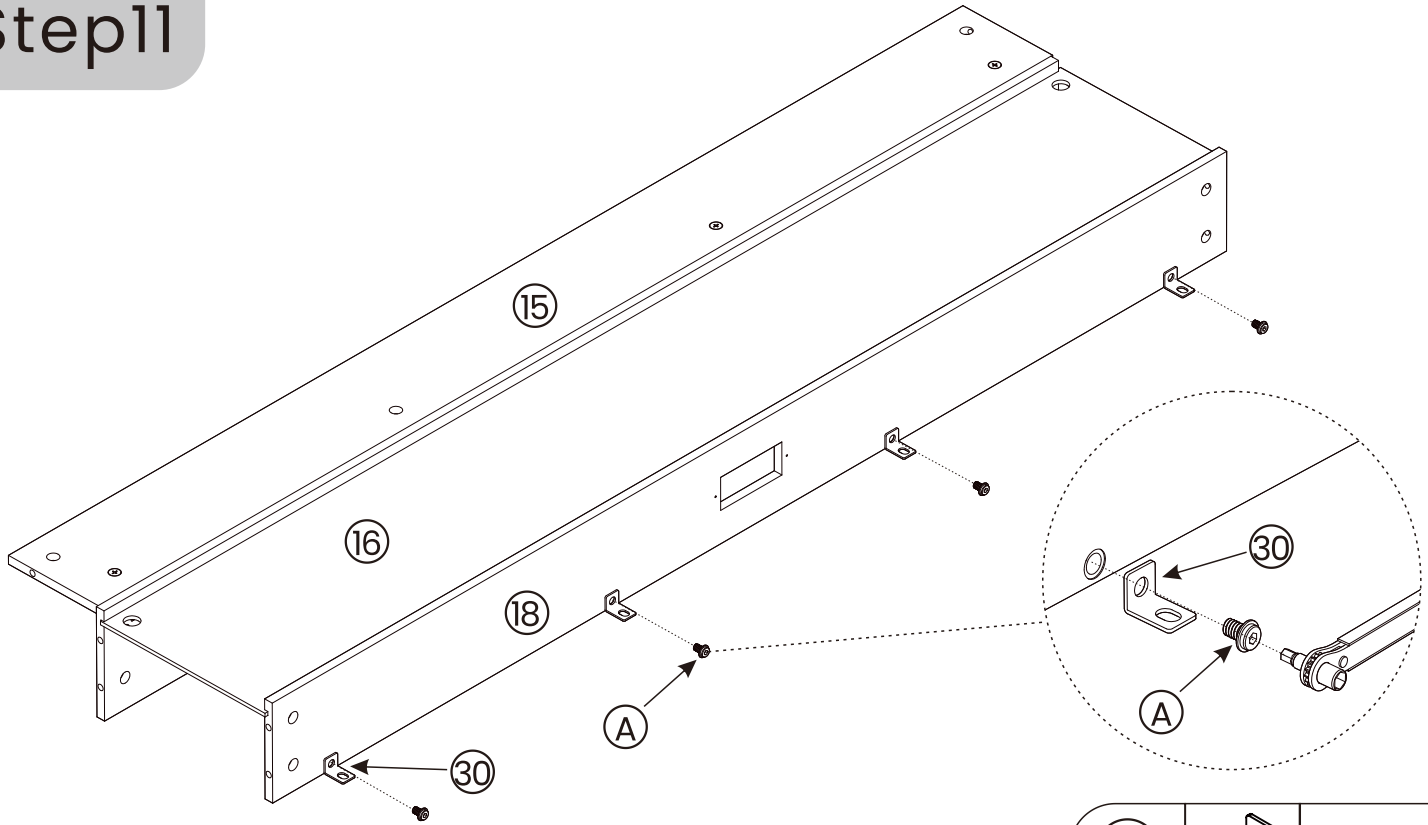


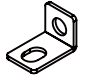

X10

Step 10

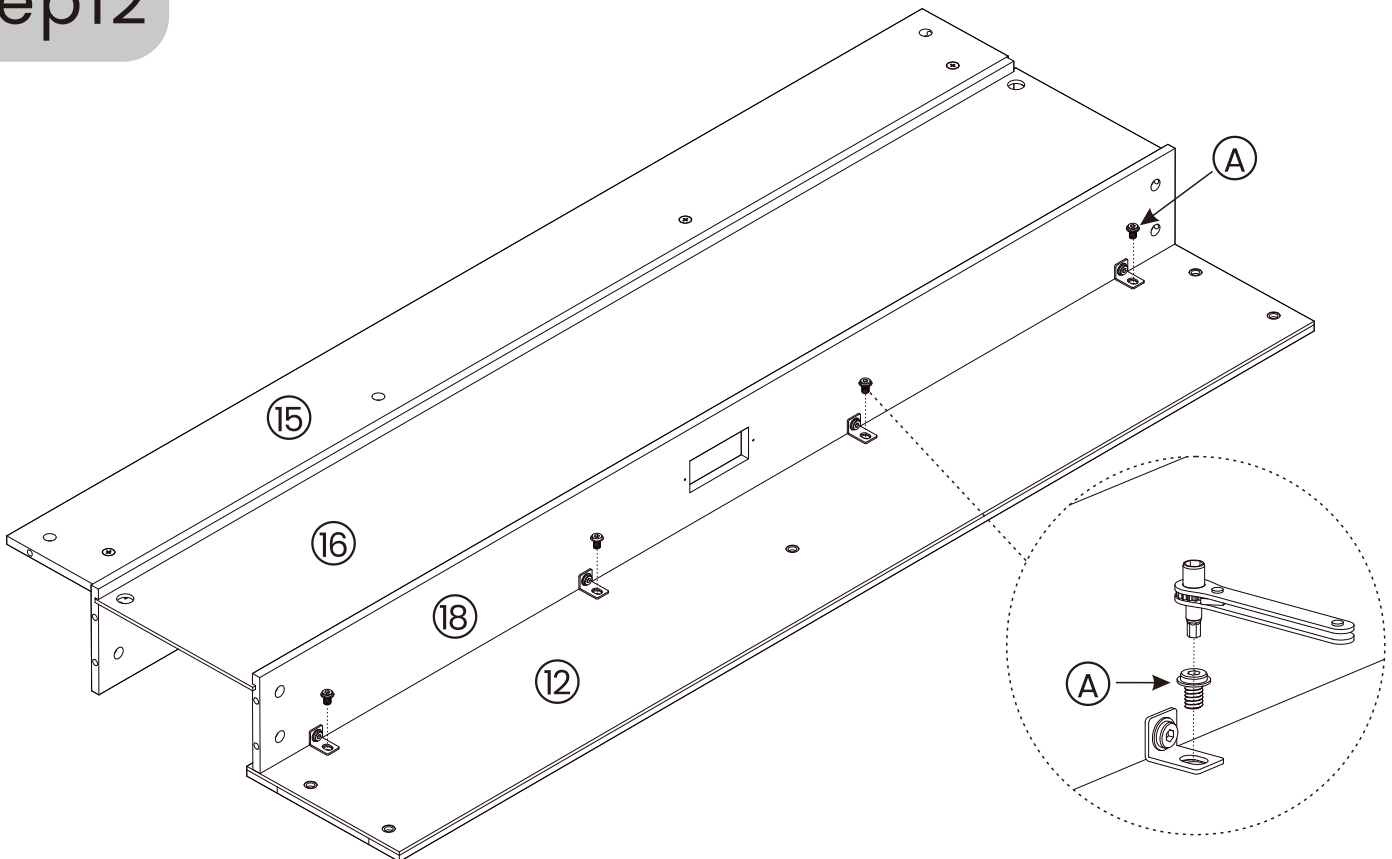



Step 11



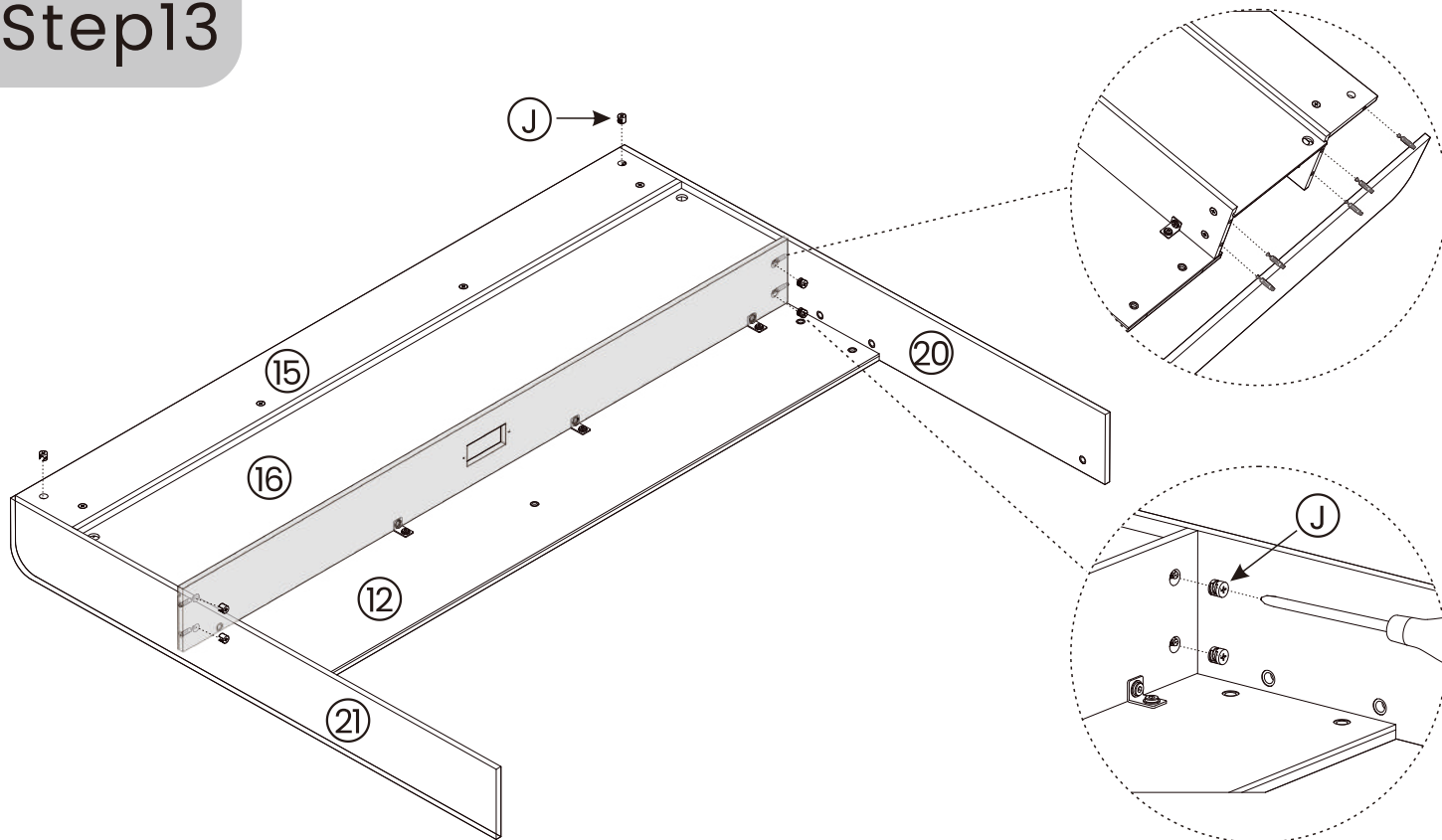
30		X4
A		X4


Step 12



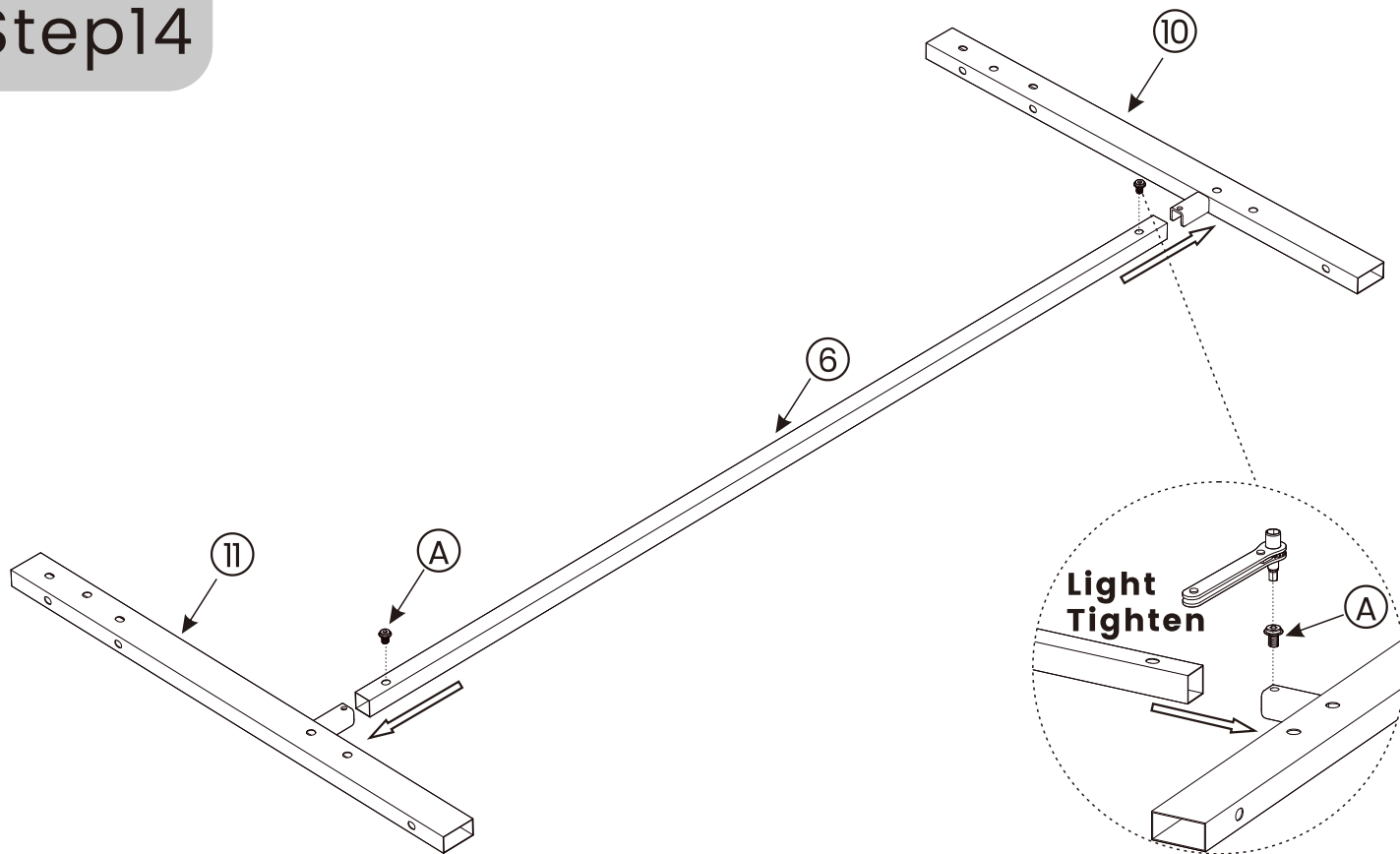
A		X4
---	---	----


Step13



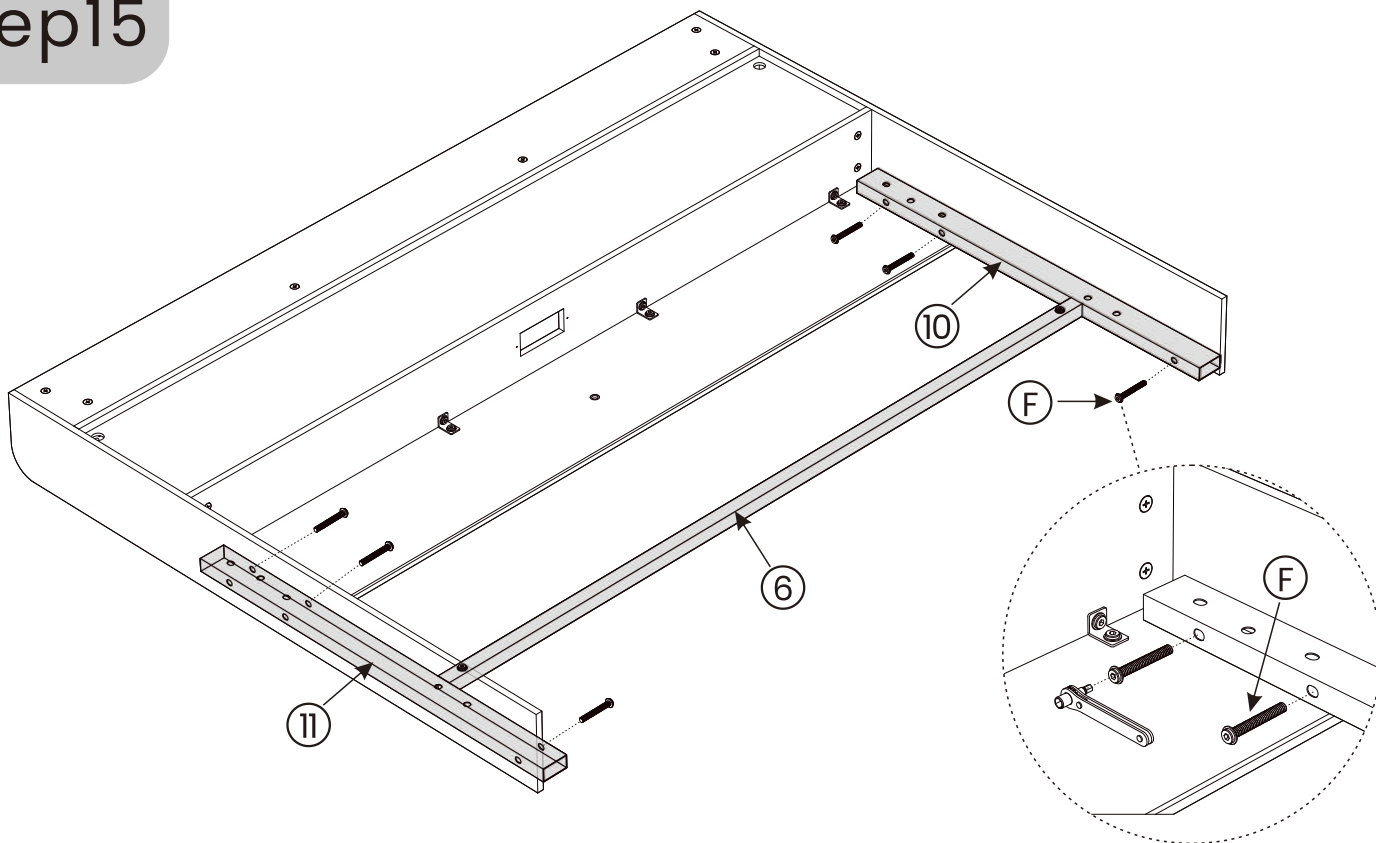
J		X6
---	--	----

Step14



A		X2
---	---	----

Step15

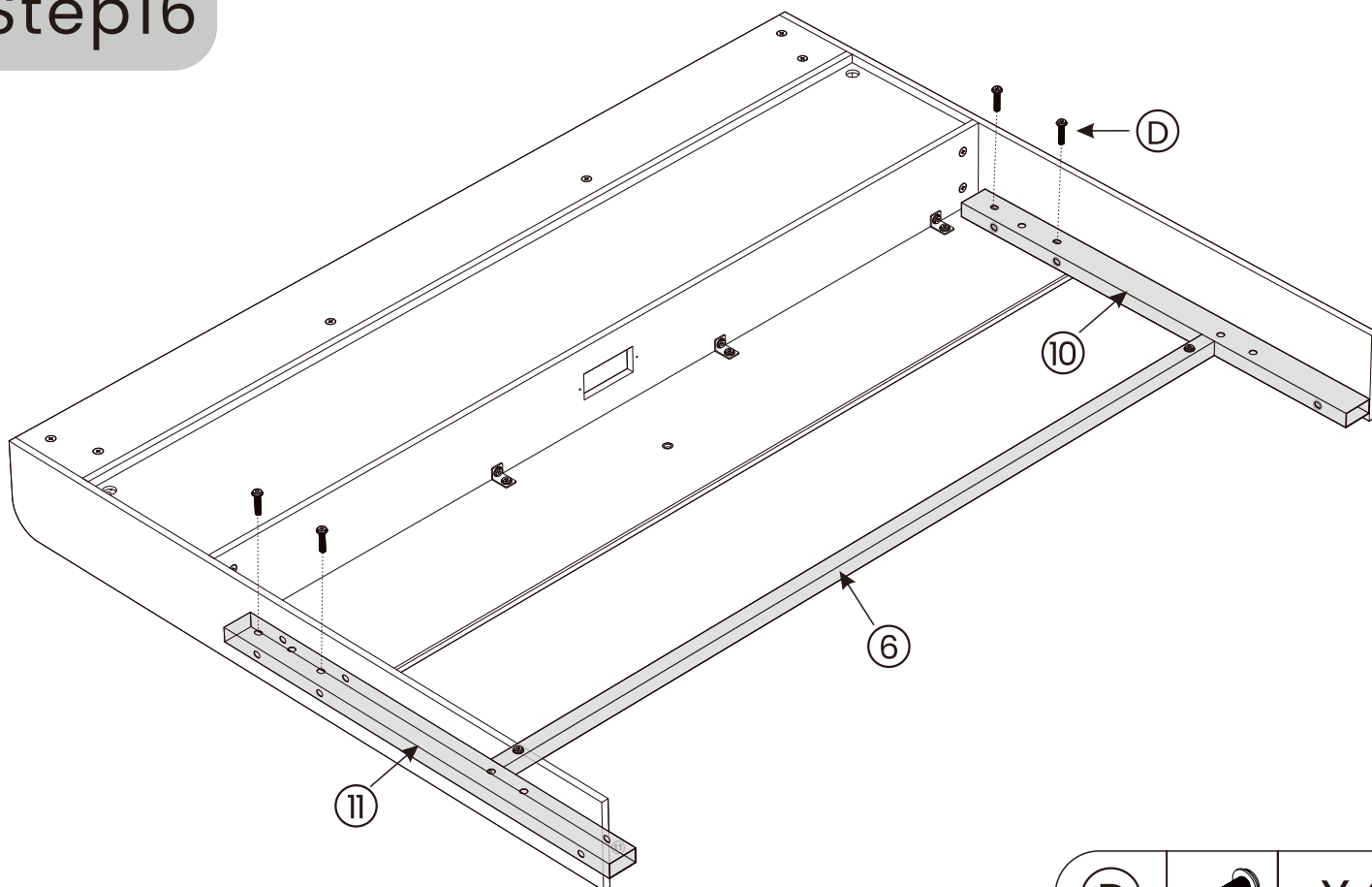


F



X6

Step16

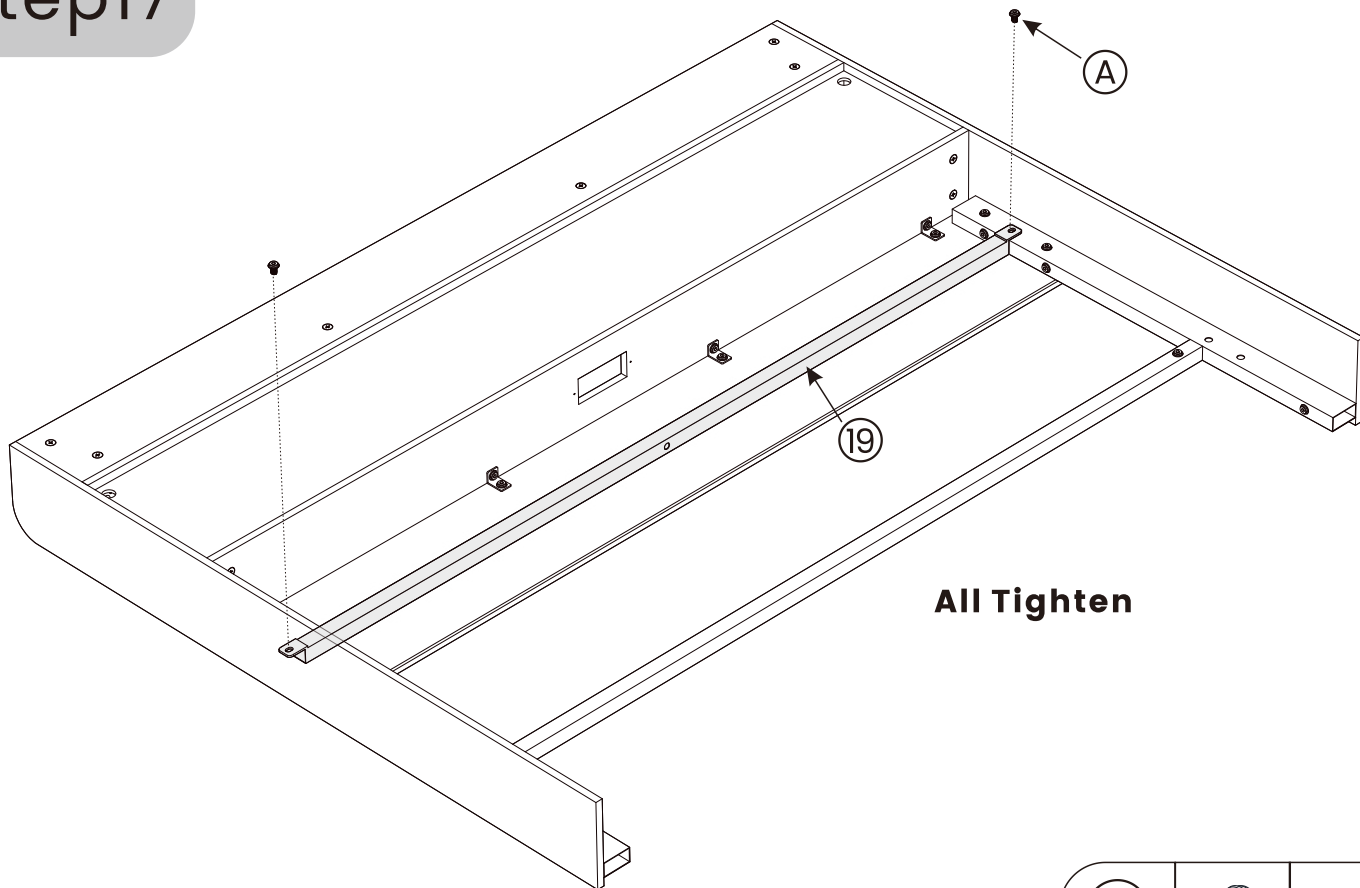


D



X4

Step17

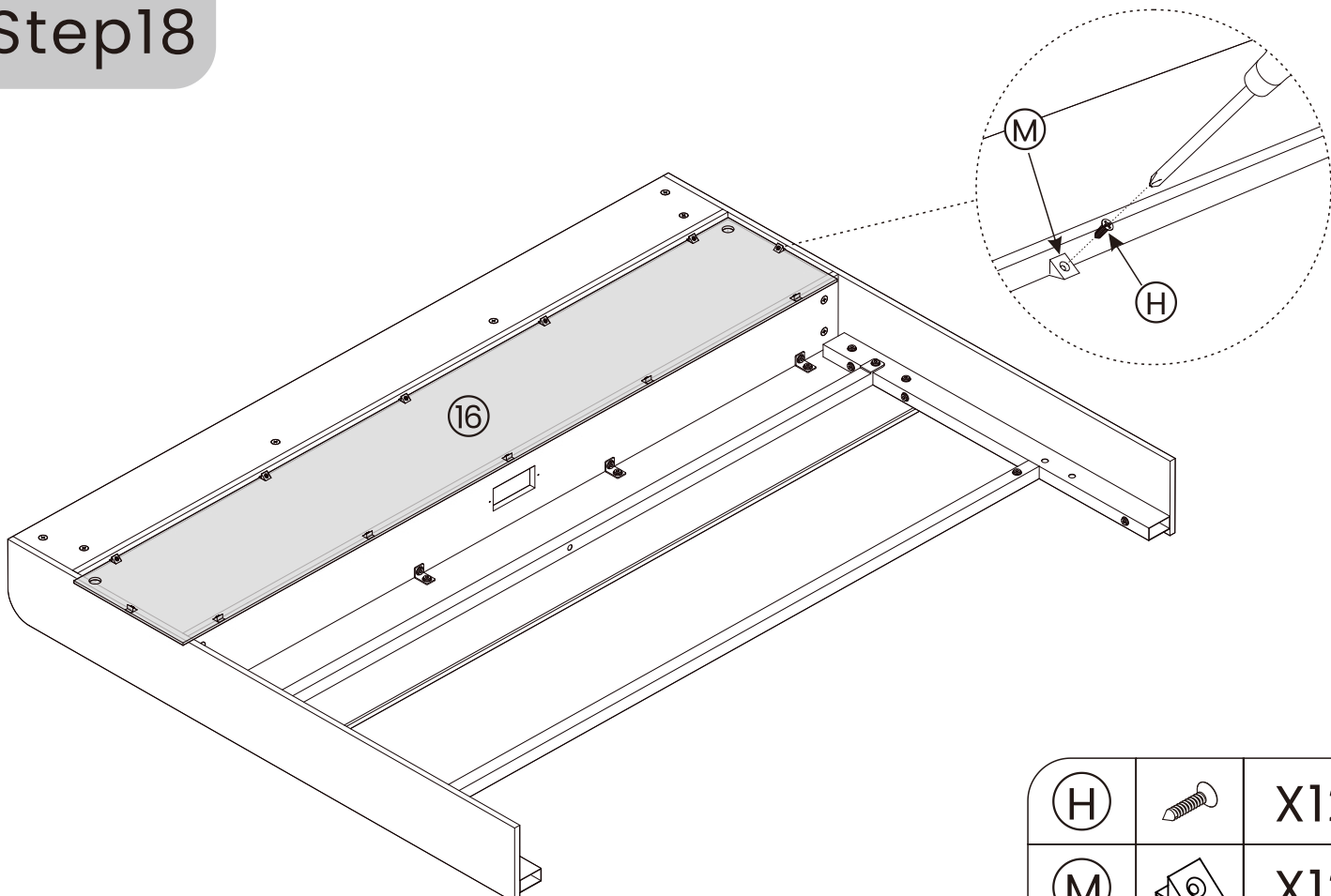


(A)



X2

Step18



(H)



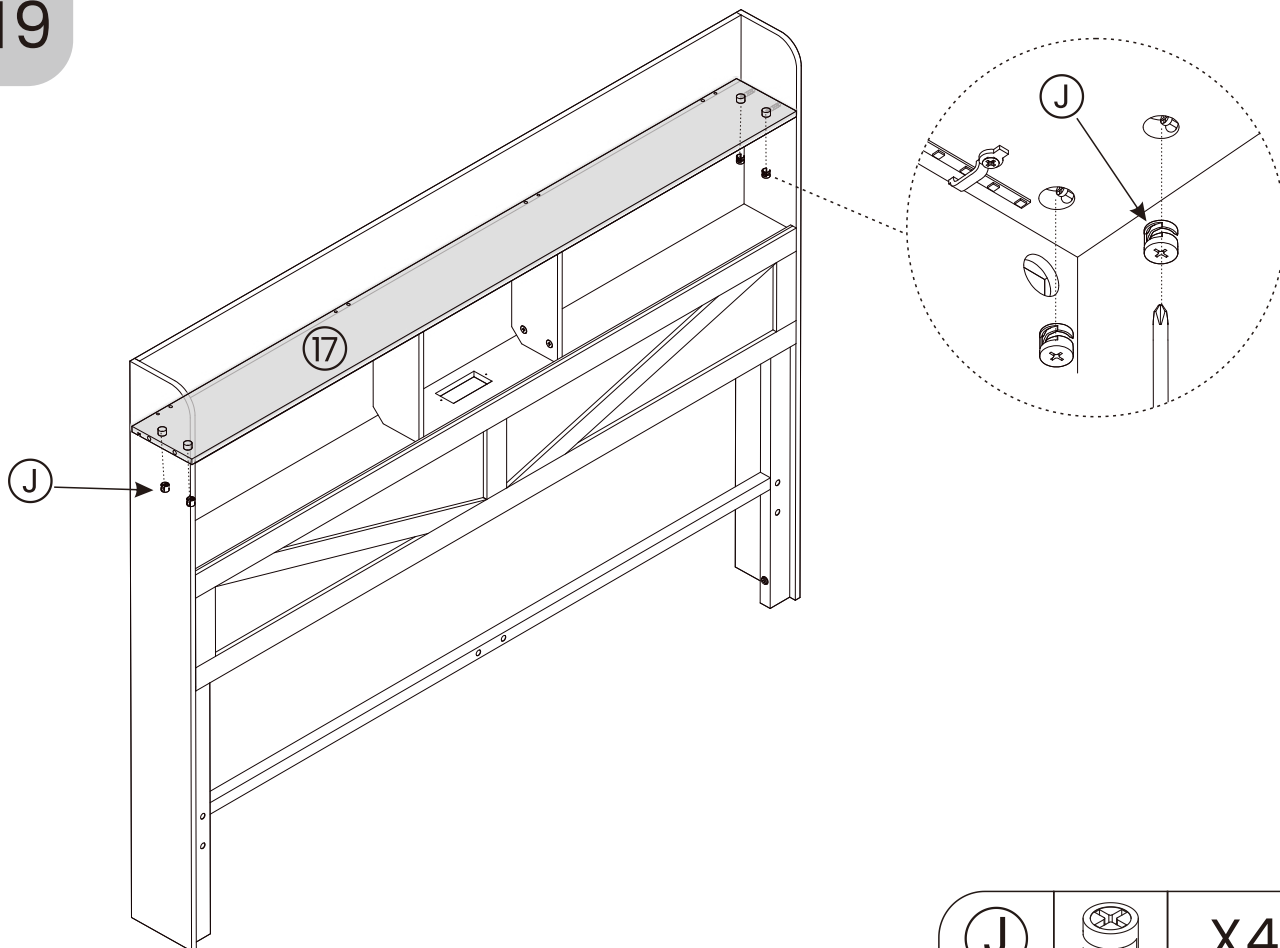
X12


(M)



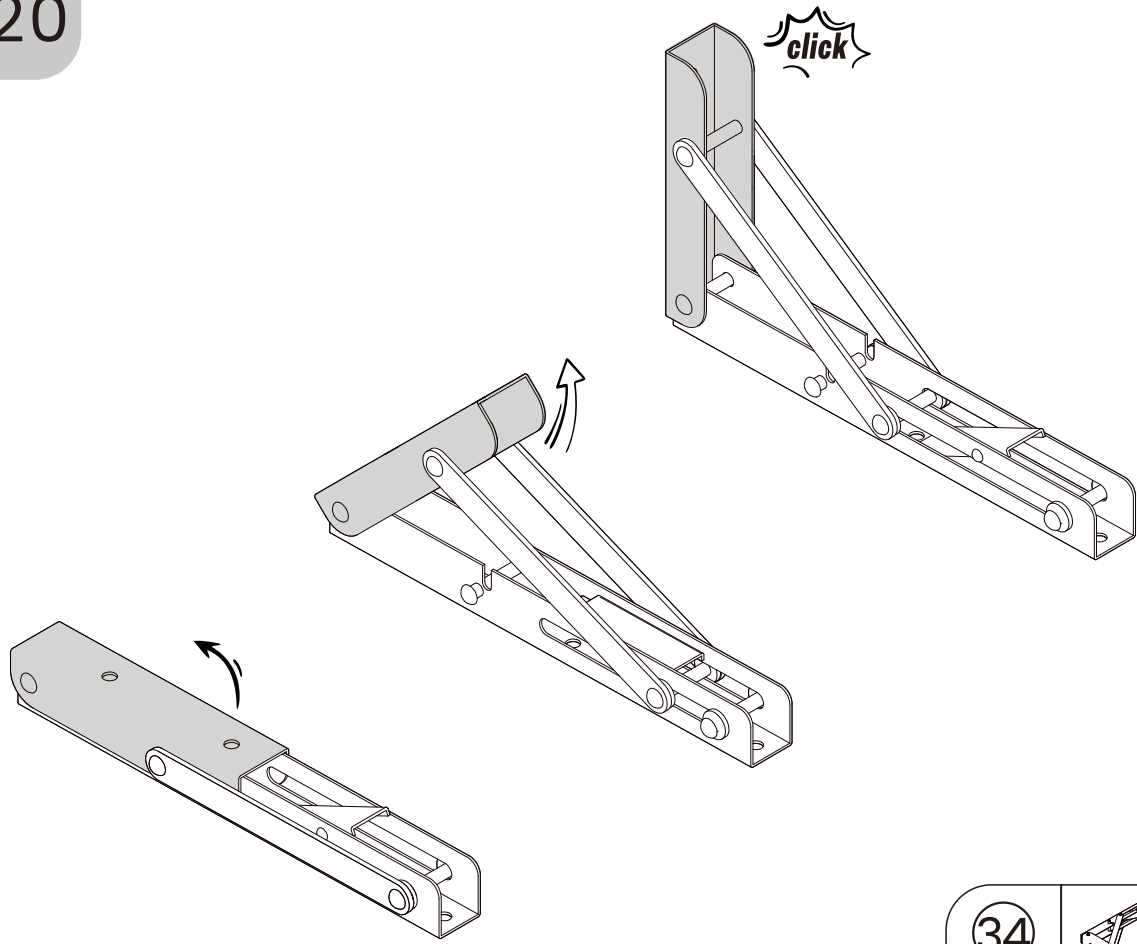
X12

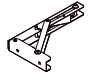
Step19



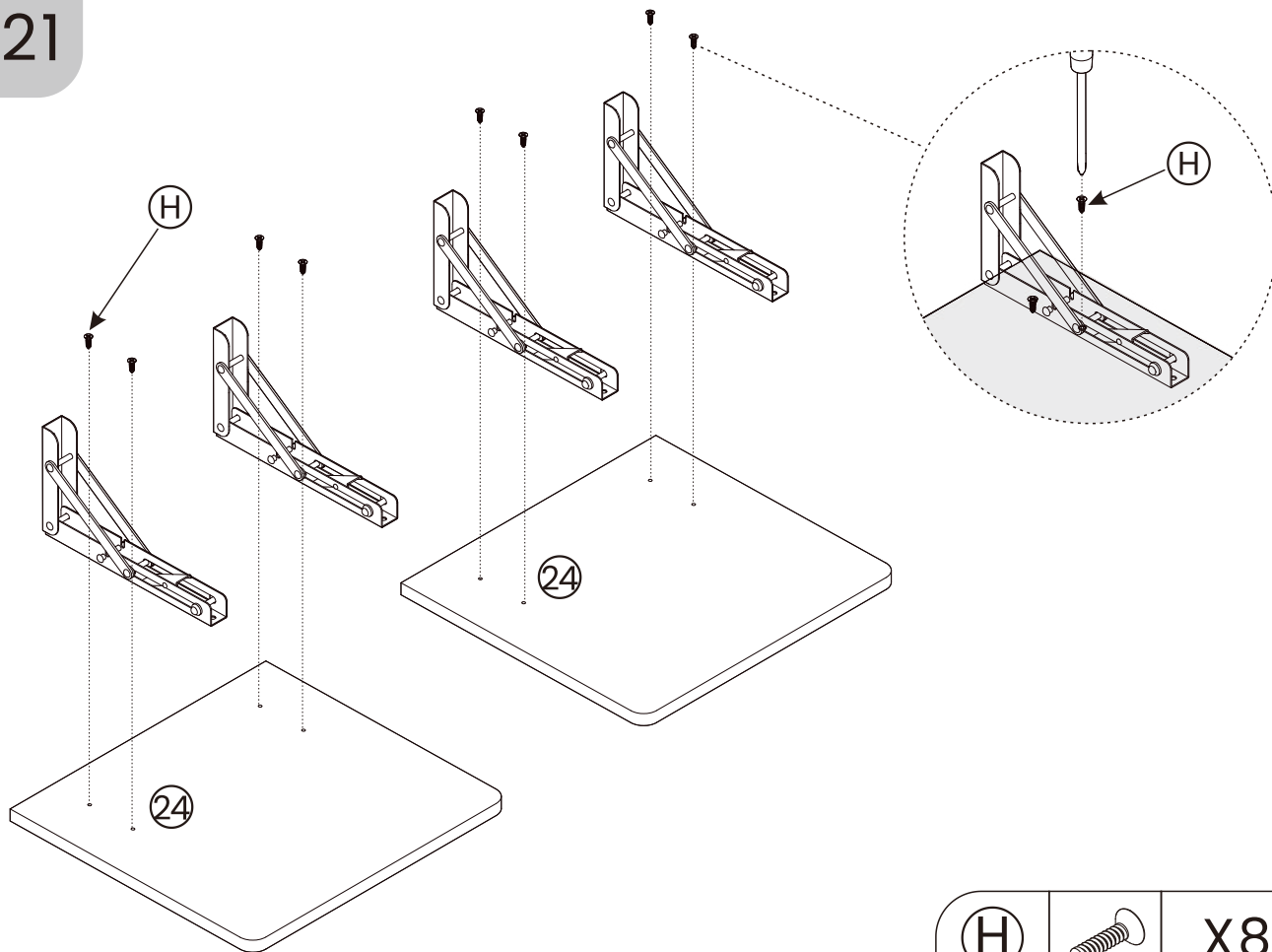
J		X4
---	---	----

Step20

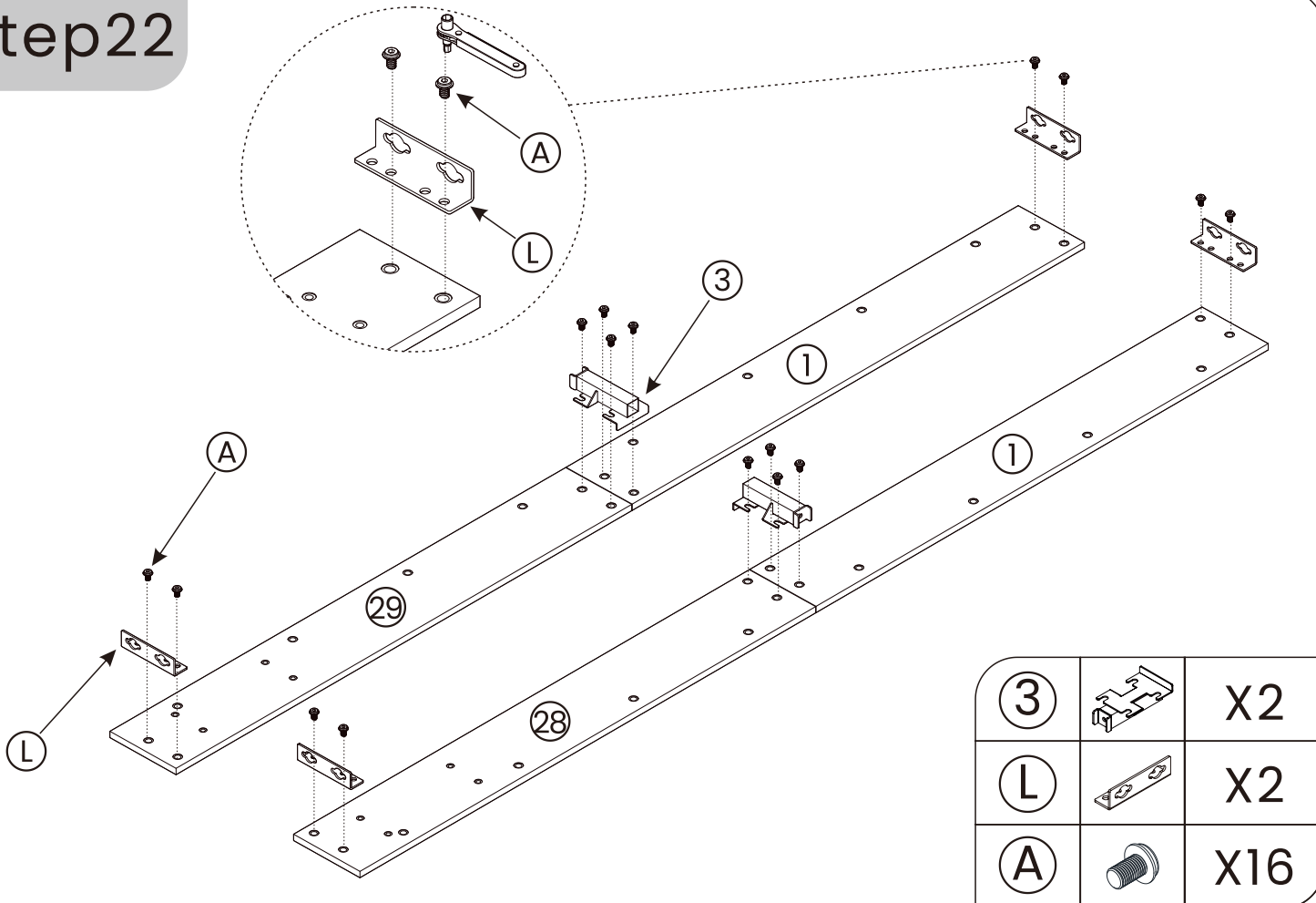


34		X4
----	---	----

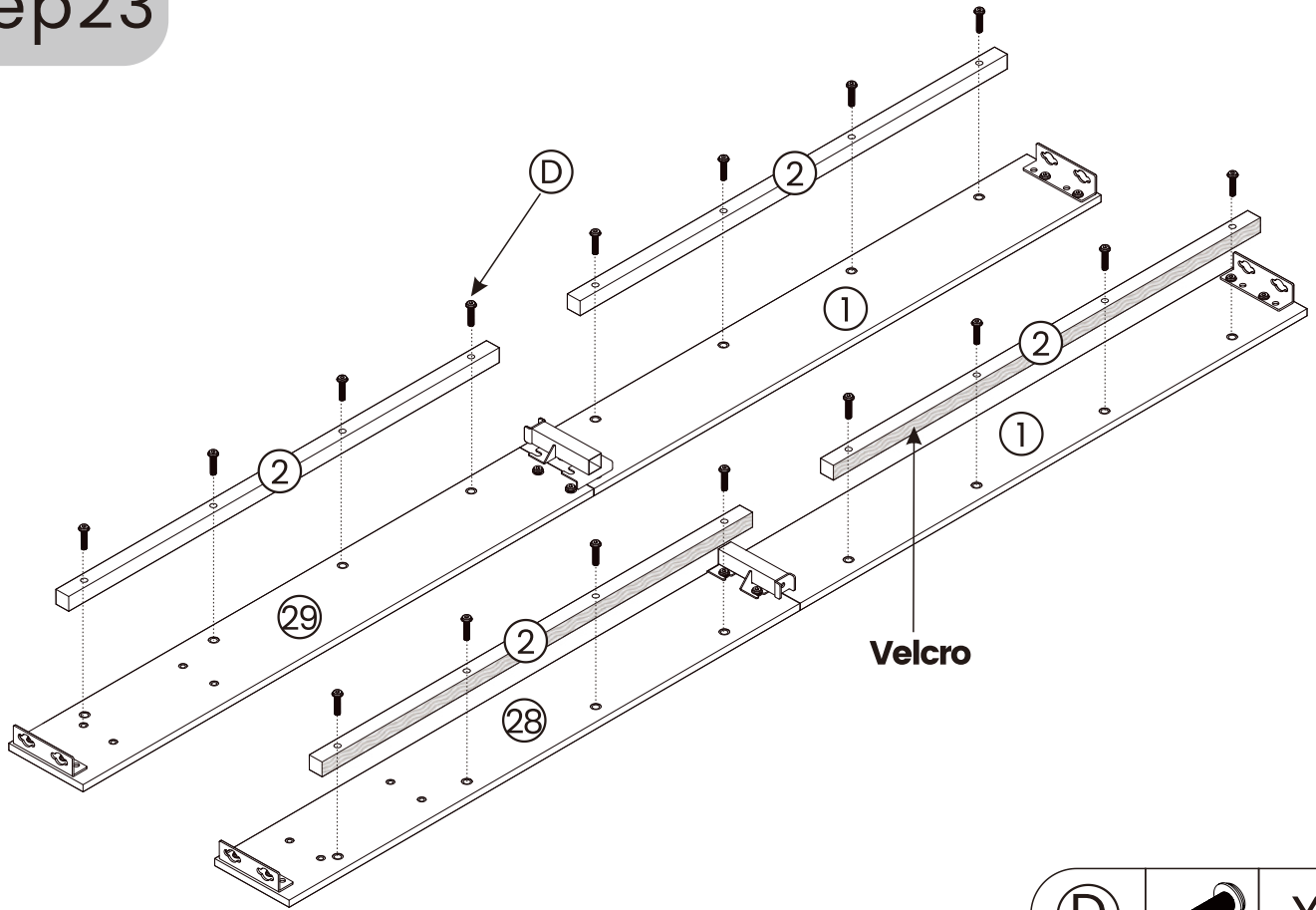
Step 21




Step 22

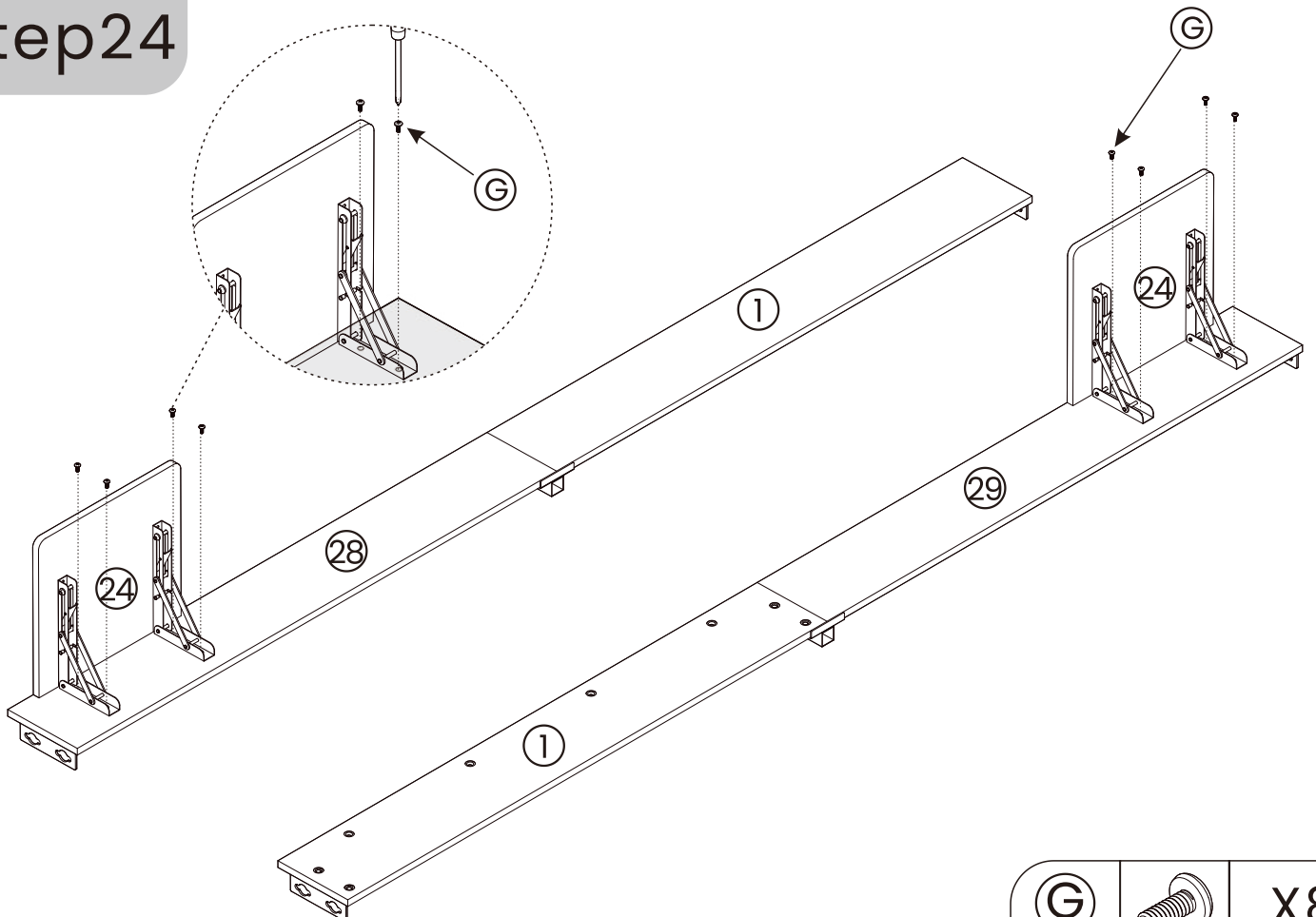



Step 23



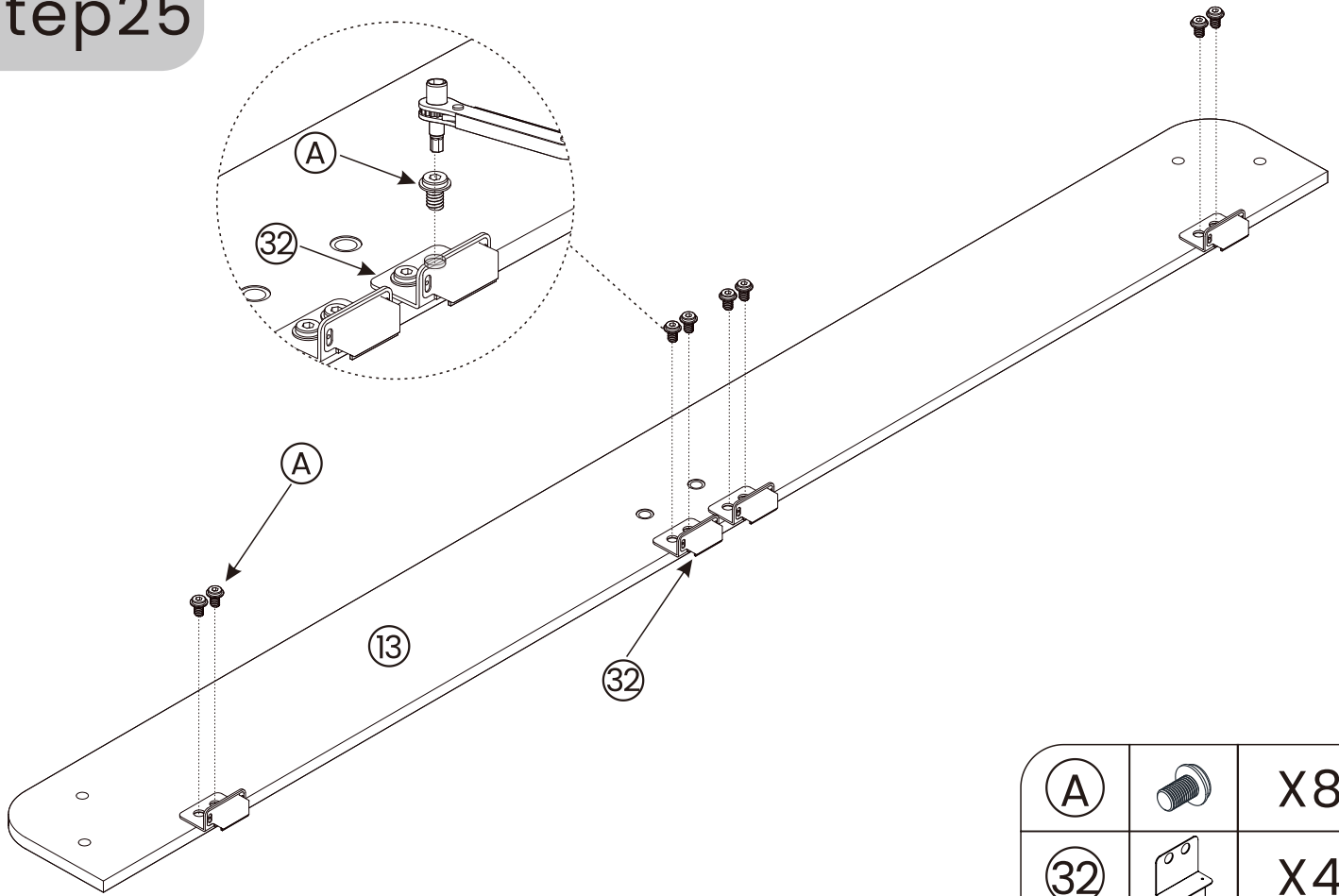
D		X16
----------	---	------------

Step 24

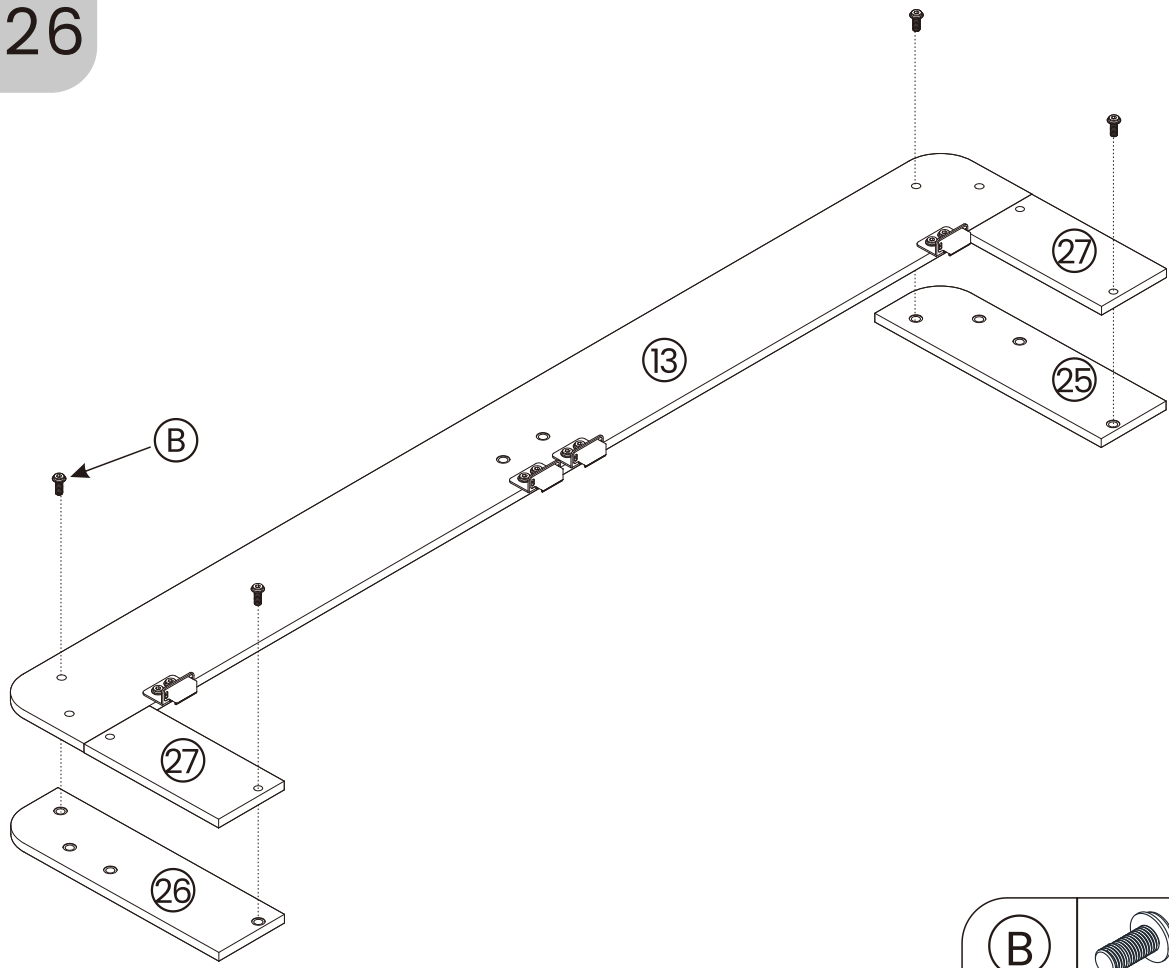


G		X8
----------	---	-----------

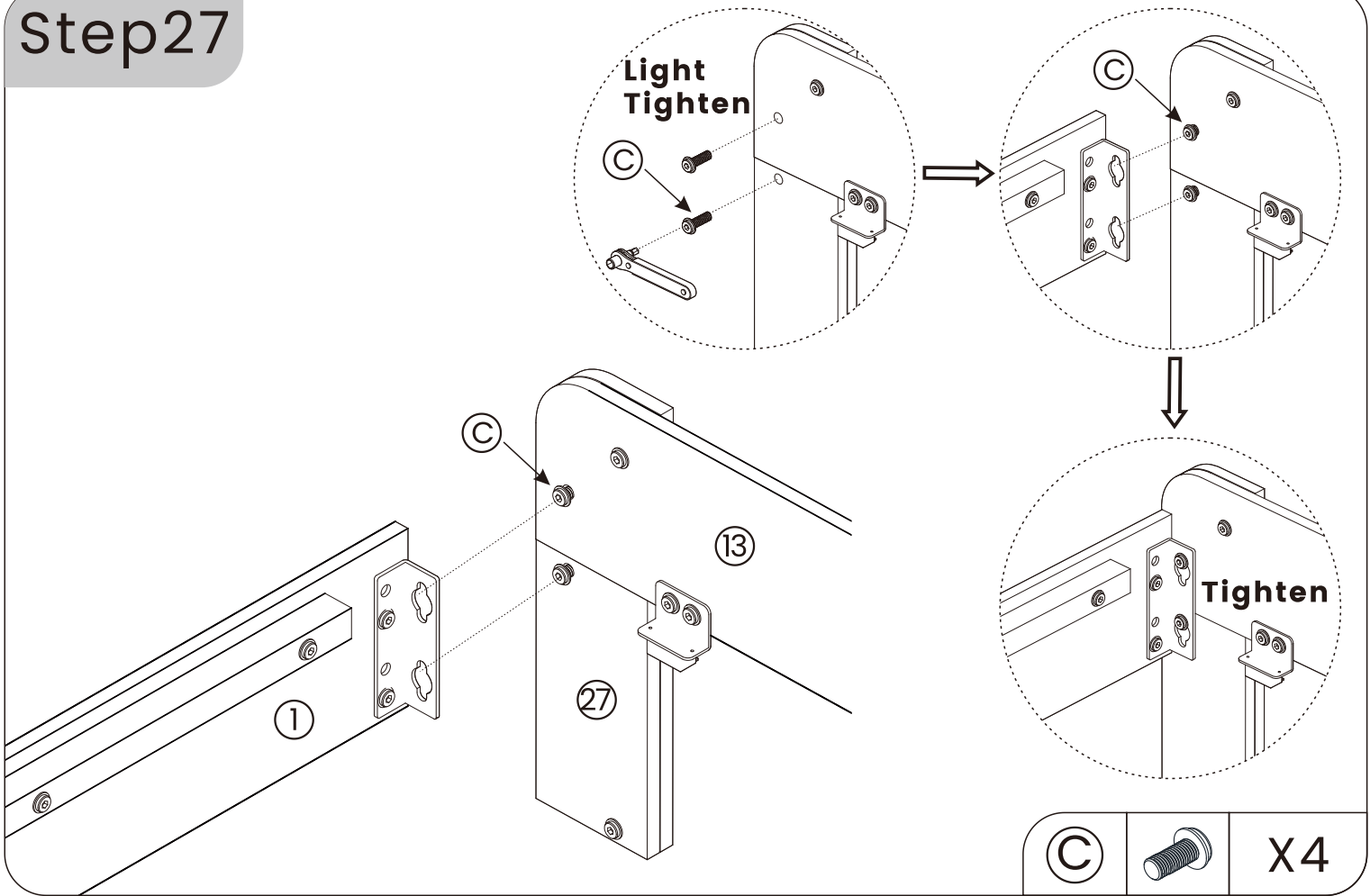
Step 25



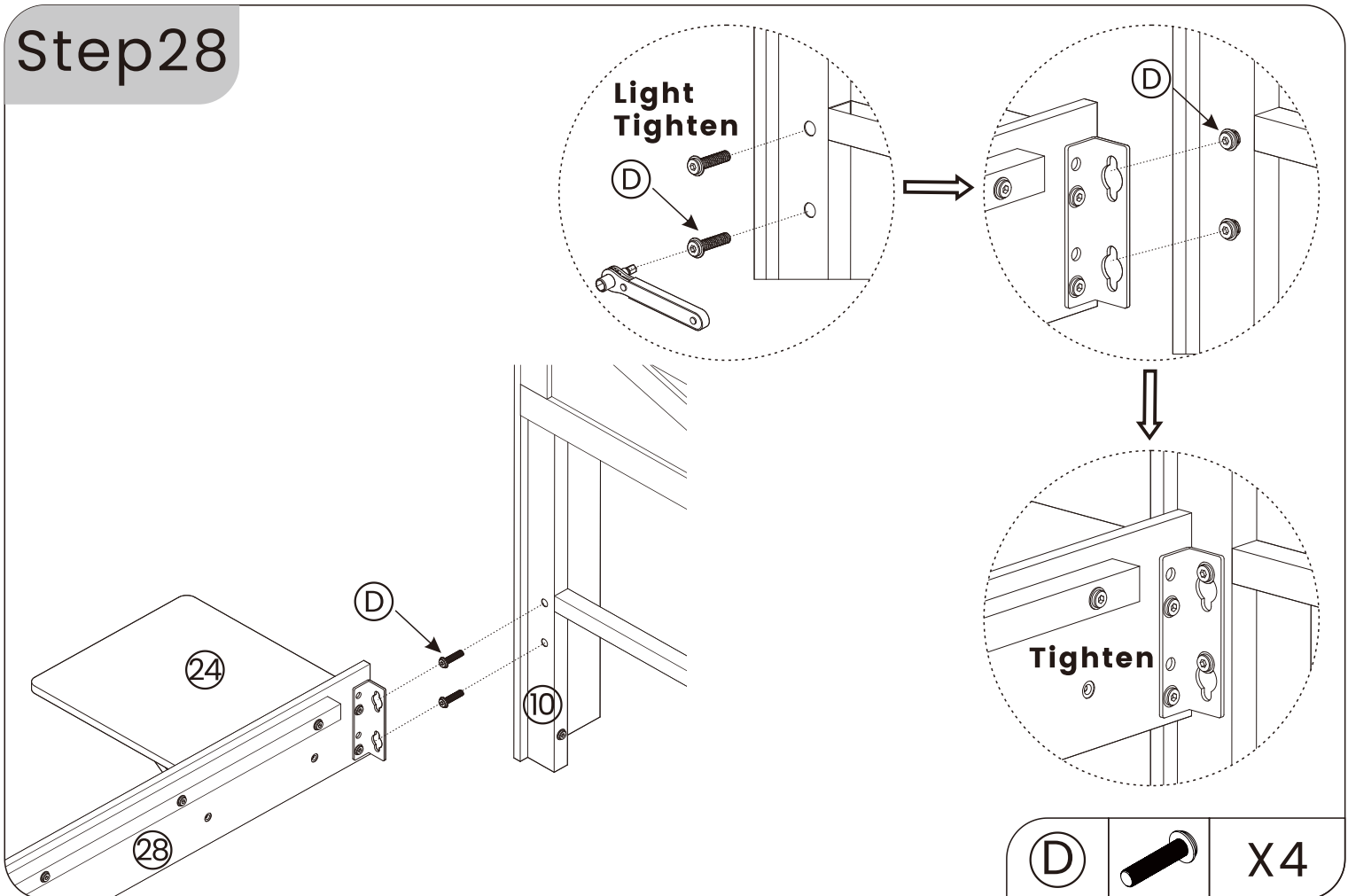
Step 26



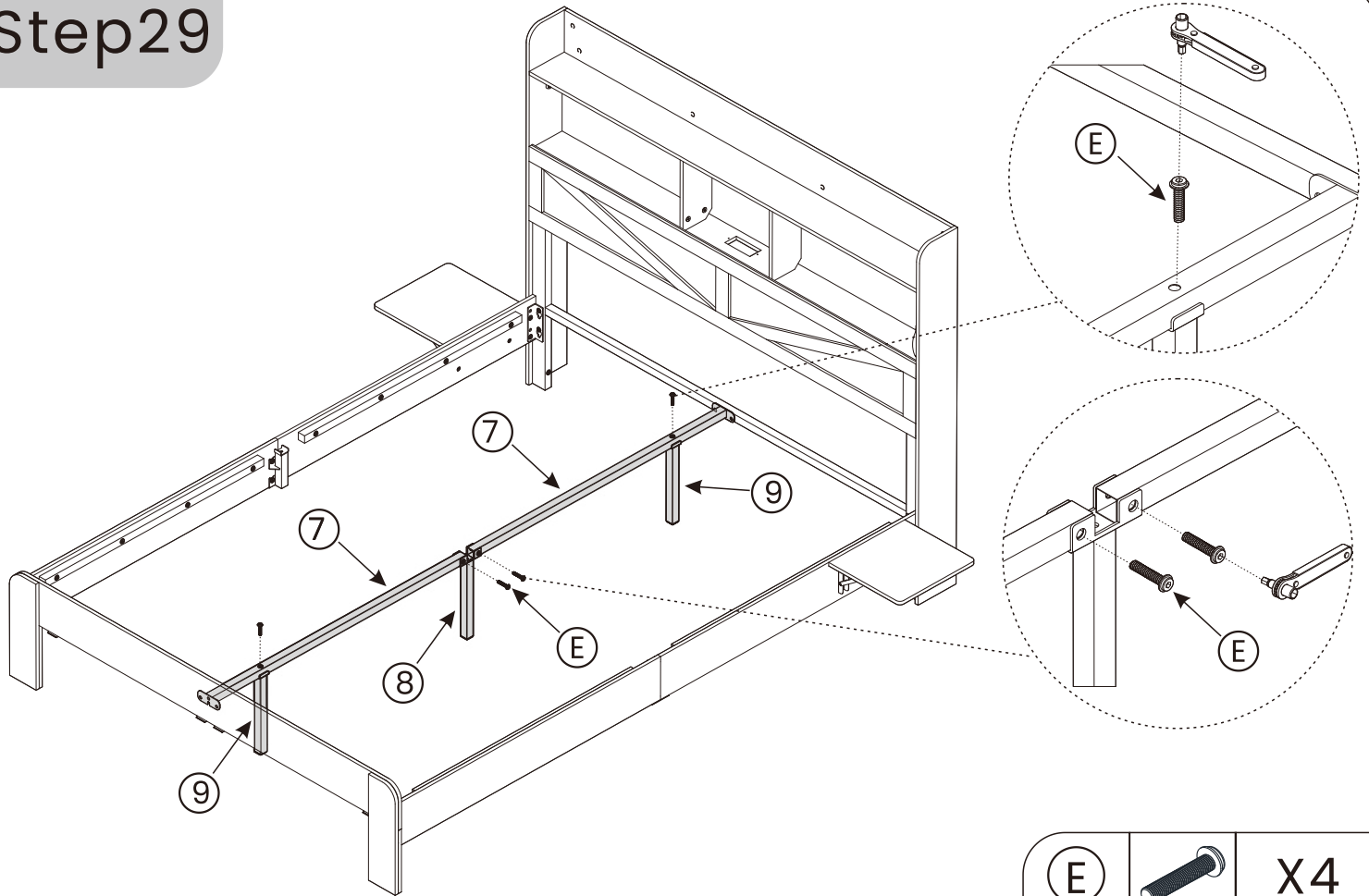
Step27




Step28

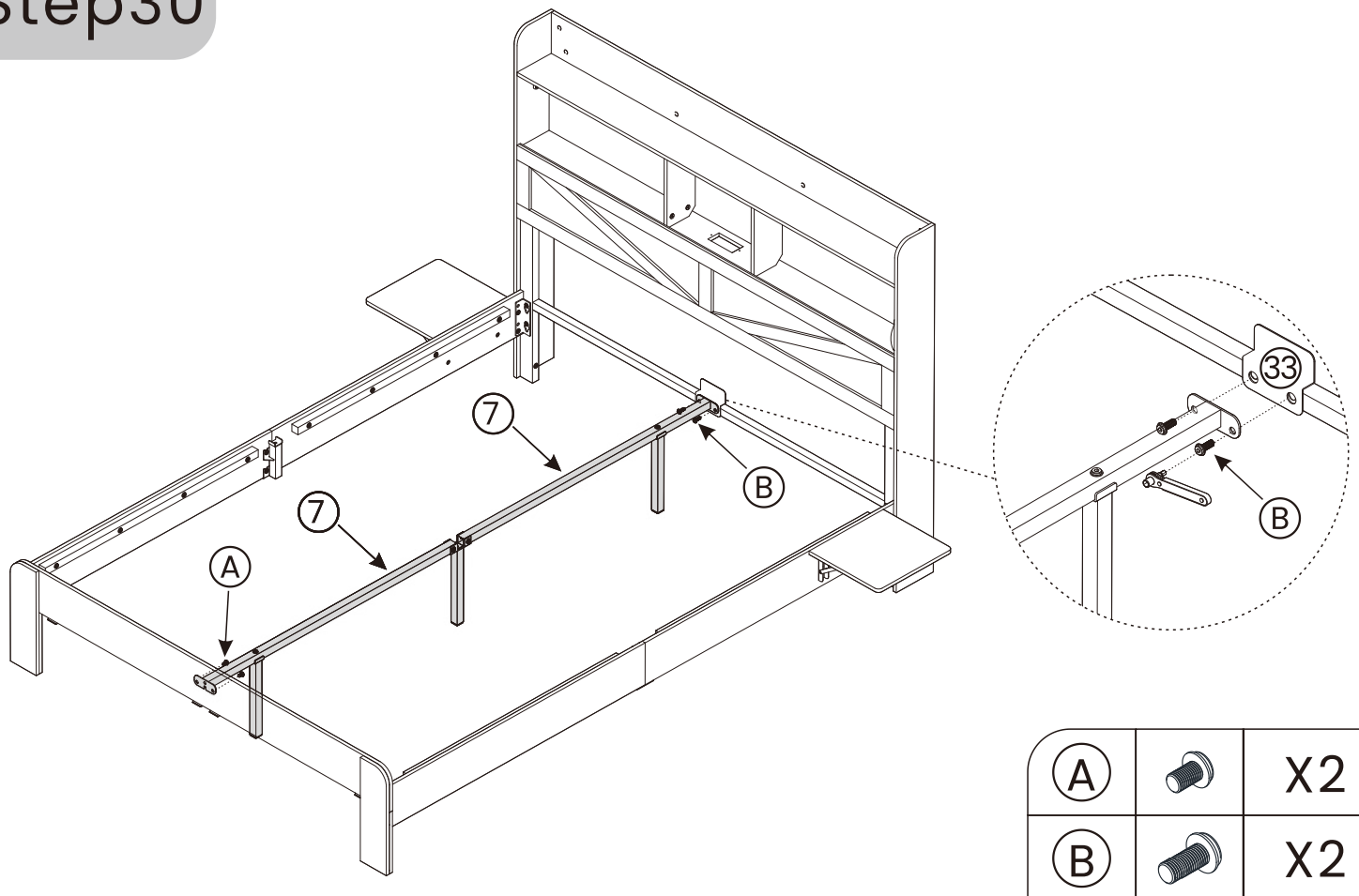




Step 29



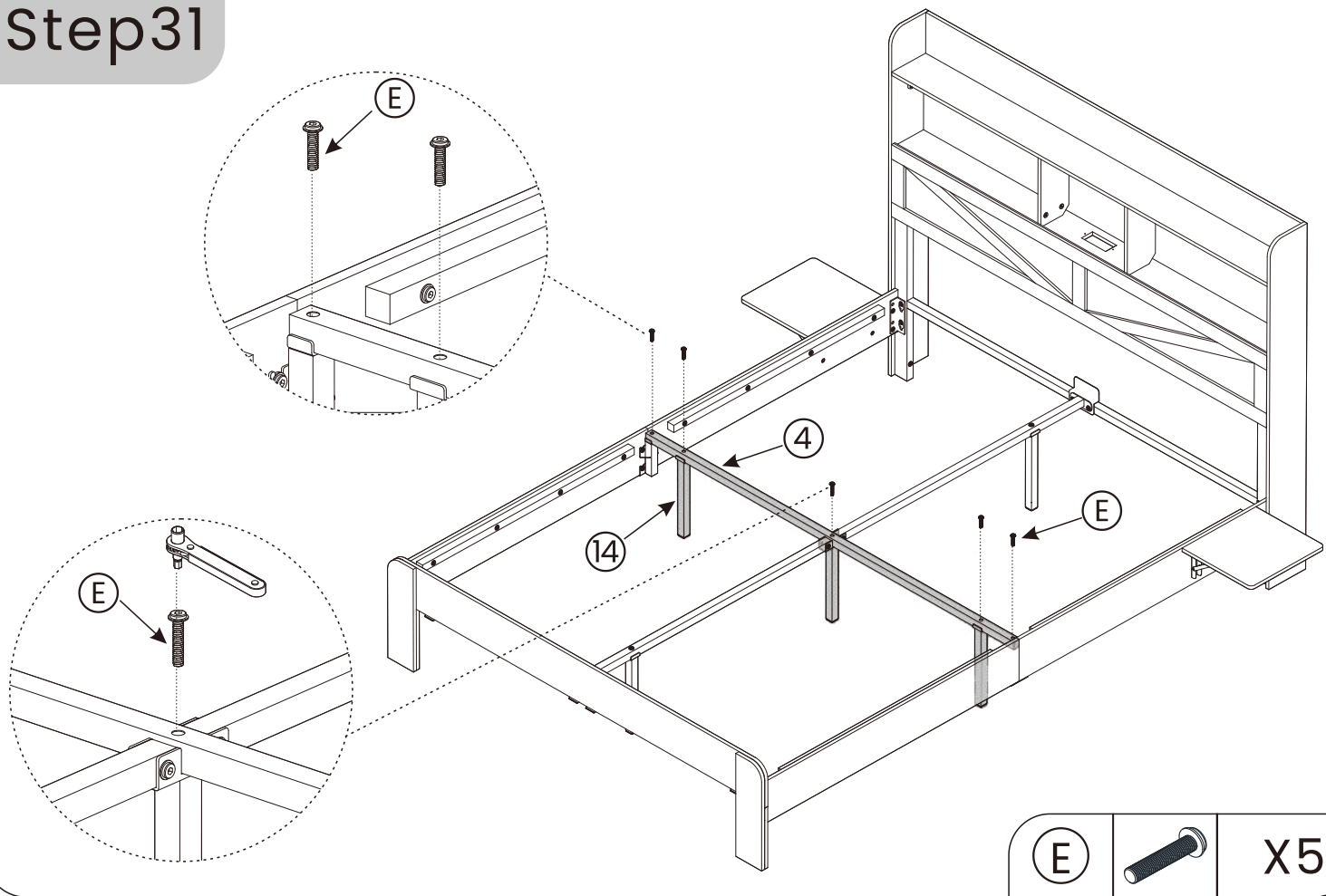
(E)		X4
-----	---	----


Step 30



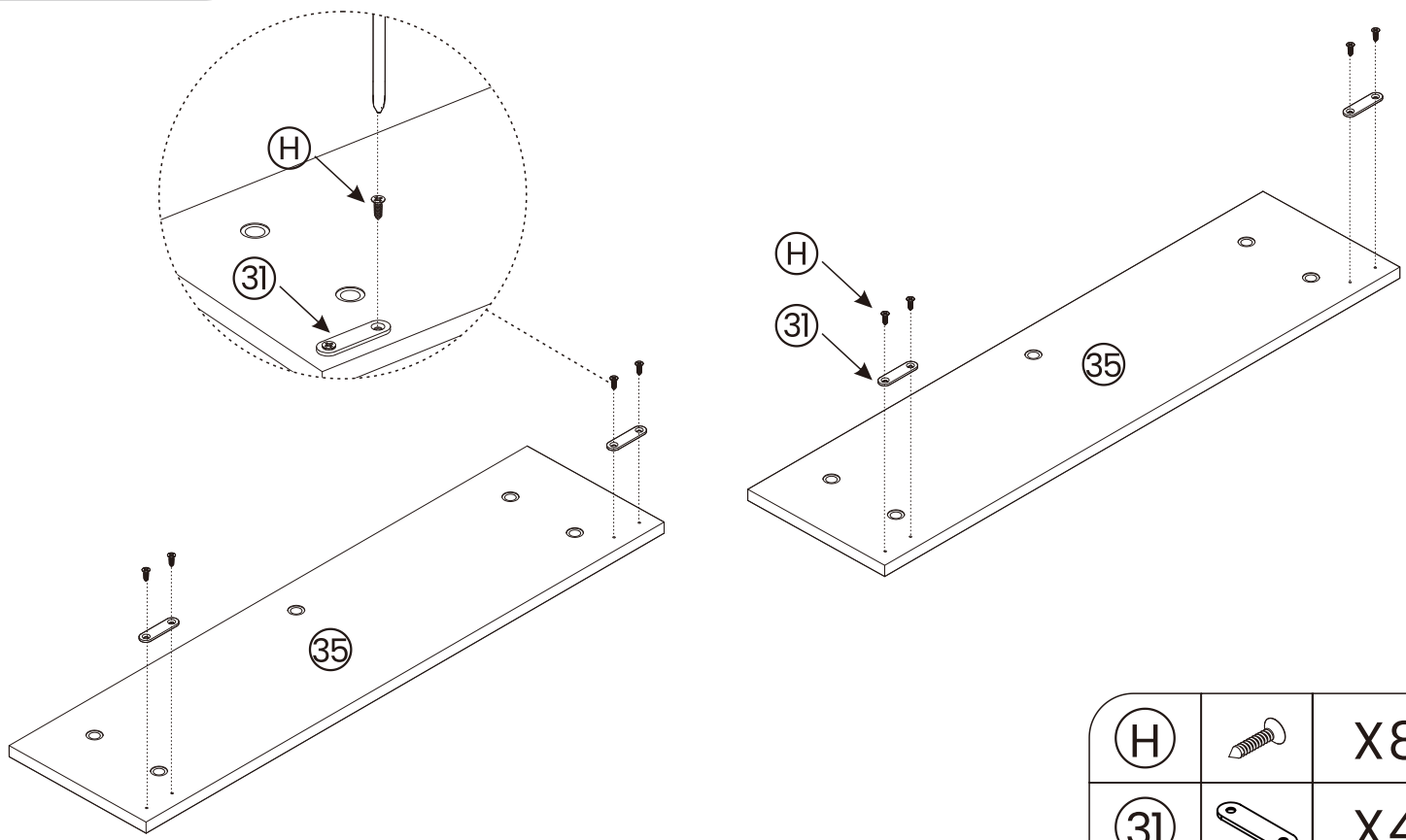
(A)		X2
(B)		X2



Step 31



(E)		X5
-----	---	----

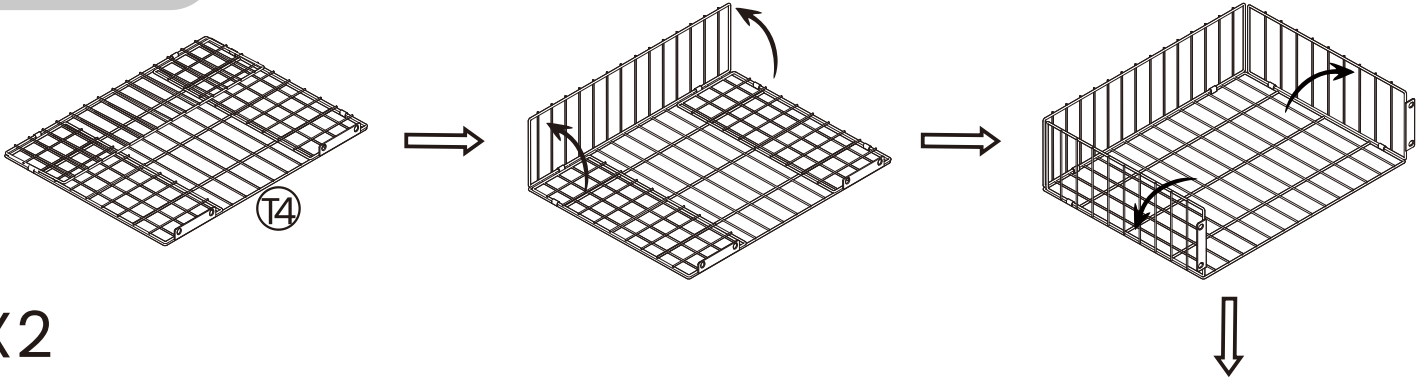
Step 32



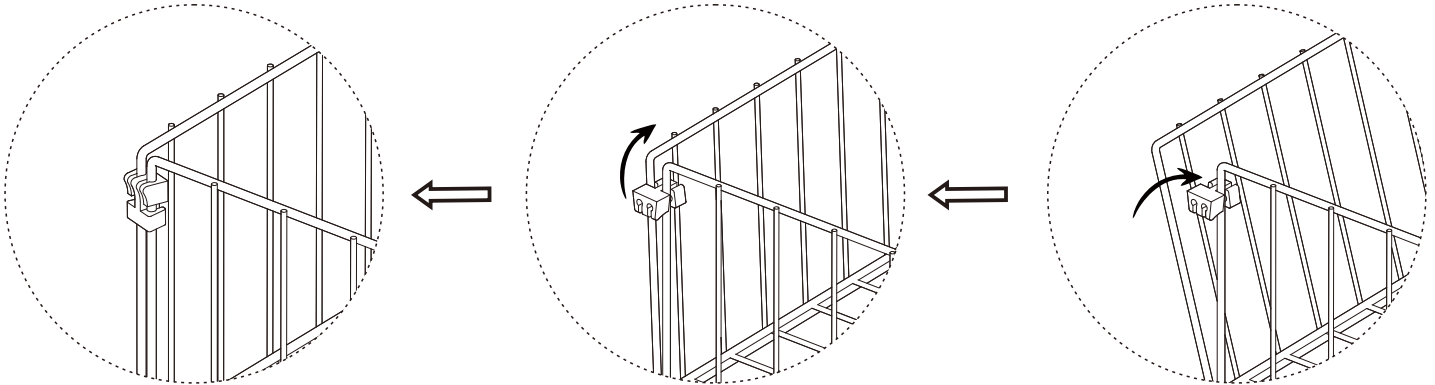
(H)		X8
(31)		X4

Step33

Open the metal frame



X2



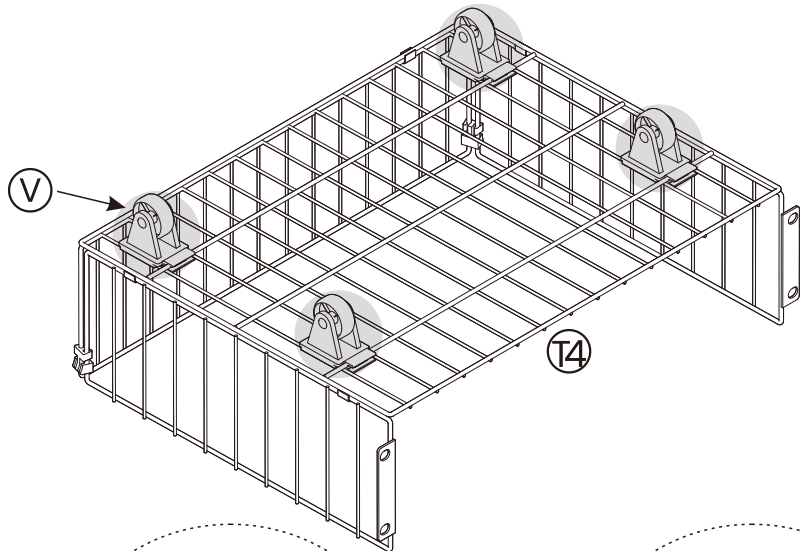
Rotates part M at 90 degrees and lock the metal frame as shown on the graph

37

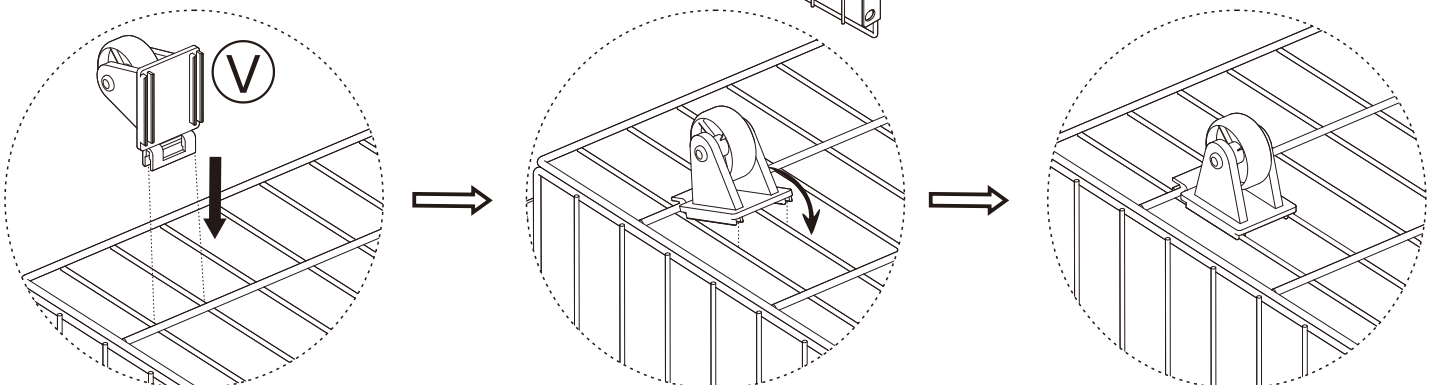


X4

Step34



X2



press down

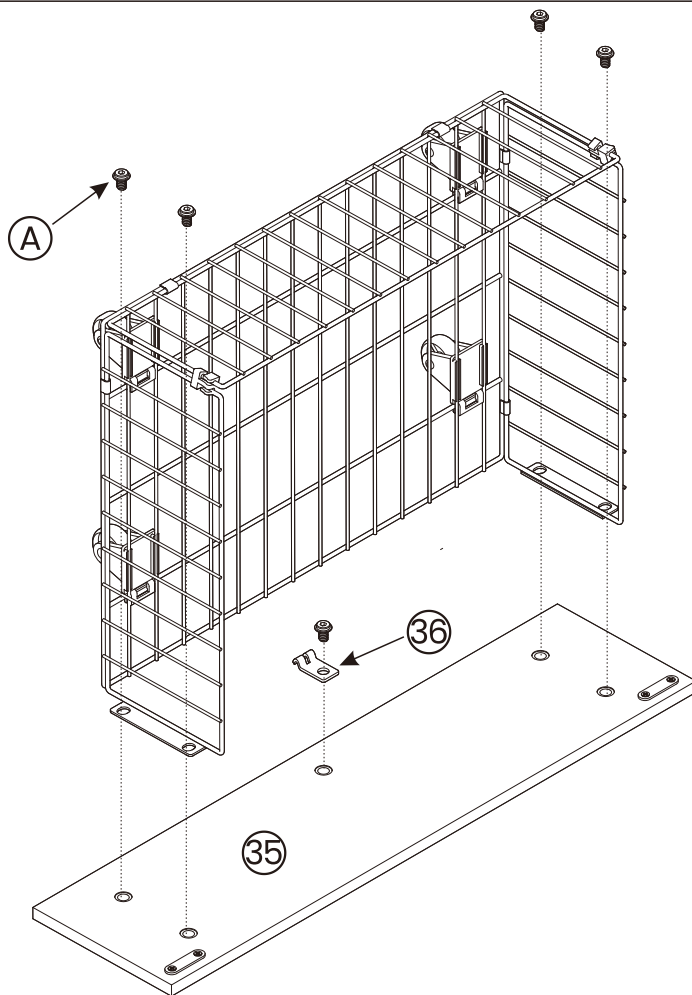
V



X8

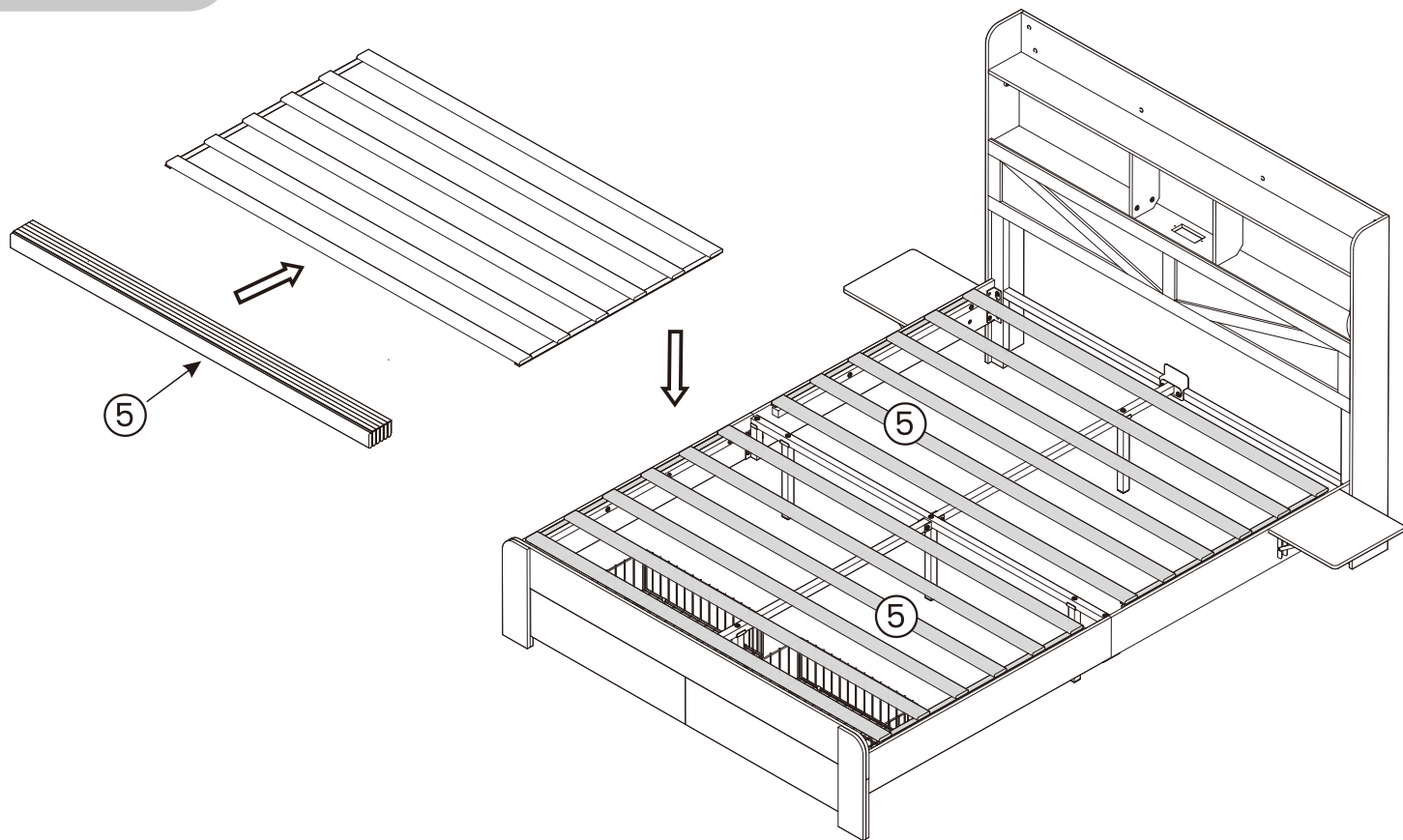
Step 35

X2

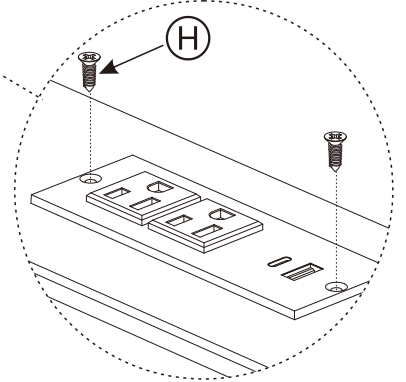
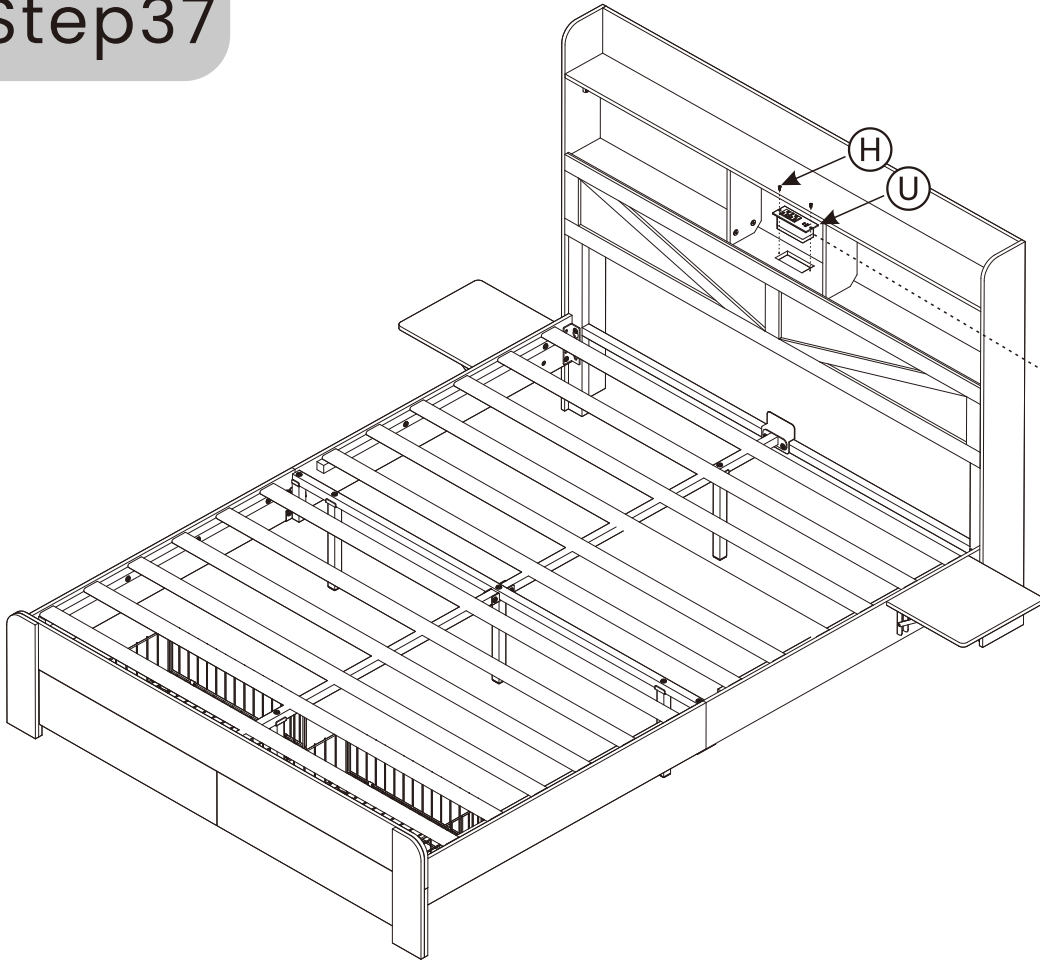




36		X2
A		X10

Step 36

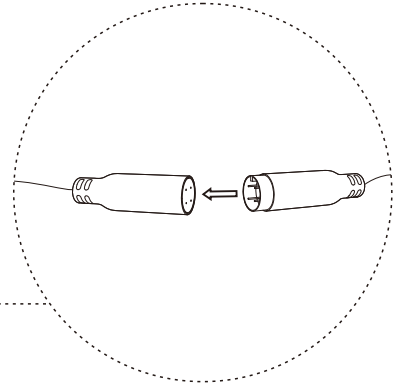
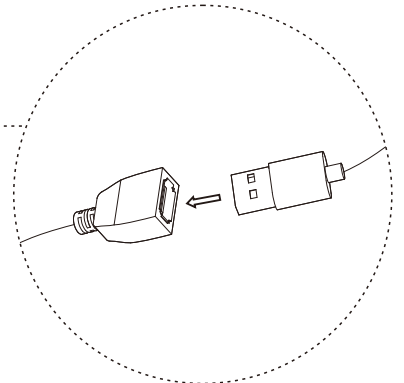
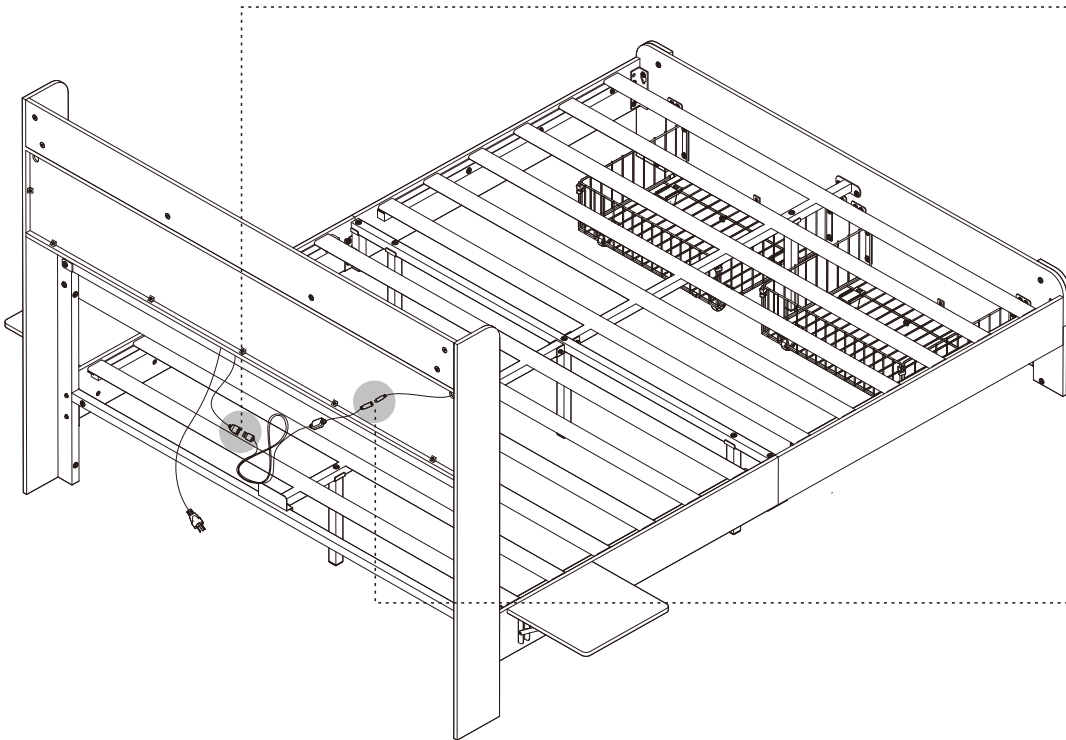




Step37



		X2
---	---	----

Step38



		X1
---	---	----