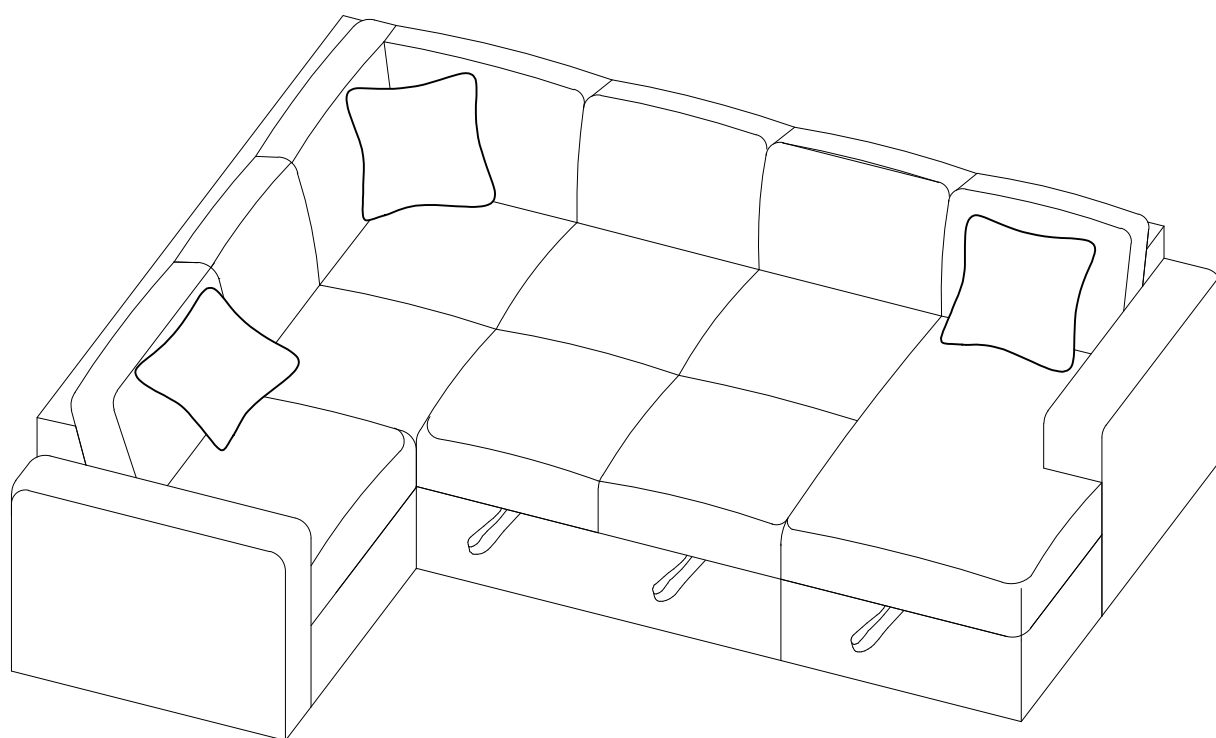


ASSEMBLY INSTRUCTION



ASSEMBLY RATING

The Assembly Rating is a 5-point system that shows the degree of effort needed in assembling a specific product (with 1 being easy and 5 being relatively difficult). For some products, two persons are recommended.

EASY



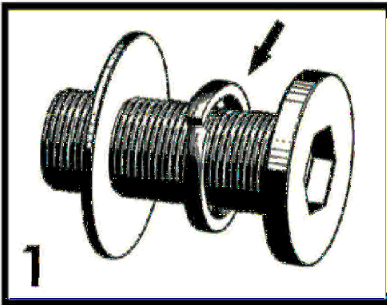
DIFFICULT

Do not tighten screws until completely assembled.

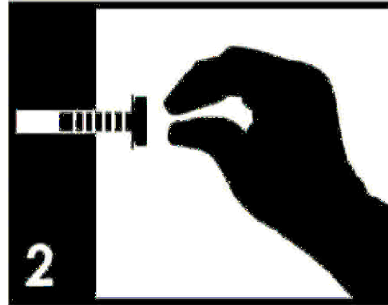
ASSEMBLY & CARE ADVICE

FOR YOUR FURNITURE TO LAST, CORRECT ASSEMBLY AND PROPER MAINTENANCE ARE NECESSARY. PLEASE FOLLOW THE INFORMATION PROVIDED BELOW TO FULLY ENJOY YOUR FURNITURE.

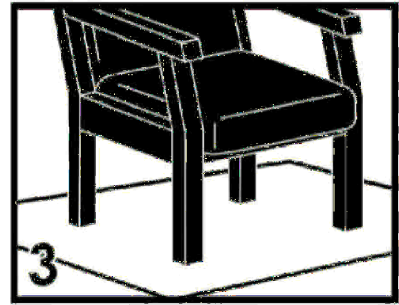
BASIC ASSEMBLY TECHNIQUES



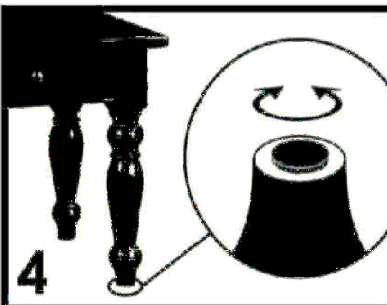
1
When lock or spring washer is used in an assembly, please make sure the lock or spring washer is placed between the larger flat washer and the head of the screw or bolt.



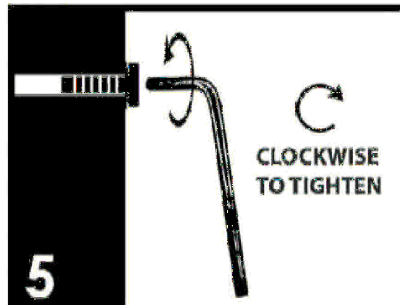
2
Position each part correctly and insert screws or bolts into their respective holes by hand tighten or using the proper hand tool. Only tighten when step is completed or when instructed to do so.



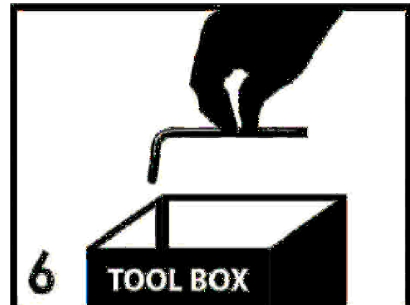
3
Use cardboard or carpet area when assembling furniture to prevent scratches. Make sure the furniture rests on a flat and level surface with each leg evenly touching the floor. No dragging of products/parts.



4
Some furniture comes with height adjustment knobs underneath each leg. To lower or to raise each leg, you need to turn clockwise or counterclockwise, respectively.



5
Make sure all parts are properly aligned, then use the appropriate hand tool to completely tighten the bolts or screws. Do not use power tools and do not overtighten.


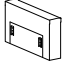

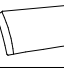
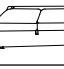

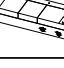
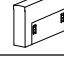
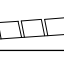

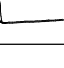




6
Save the instructions and store the Allen wrench or any supplied tool for later maintenance. After two weeks, check and tighten any loose hardware and repeat again every six months thereafter.

IT IS THE USER'S RESPONSIBILITY TO MAINTAIN THE FURNITURE. THE HARDWARE MAY LOOSEN OVER TIME AND MAY CAUSE THE FURNITURE TO BE WOBBLY AND UNABLE TO SUPPORT ITS INTENDED WEIGHT CAPACITY. THIS MAY LEAD TO COLLAPSE AND MAY CAUSE SERIOUS INJURY.



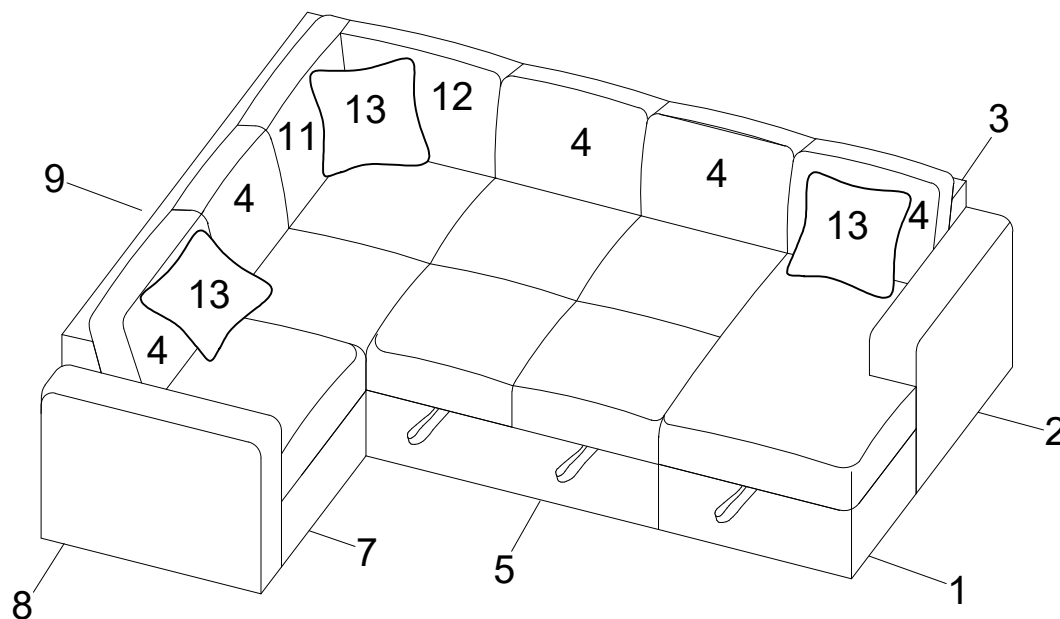
FAILURE TO FOLLOW THE GUIDELINES ABOVE MAY RESULT IN INJURY AND/OR PROPERTY DAMAGE.

PARTS IDENTIFICATION			
NO	Shape	Specification	Quantity
1		RIGHT CHAISE	1PC
2		RSF ARM	1PC
3		CHAISE BACK REST	1PC
4		BACK CUSHION	5PCS
5		LOVESEAT W/ PULL-OUT SLEEPER	1PC
6		LOVESEAT BACK REST	1PC
7		LEFT SOFA	1PC
8		LSF ARM	1PC
9		LSF LONG BACK REST	1PC
10		LSF SHORT BACK REST	1PC
11		BACK CUSHION	1PC
12		BACK CUSHION	1PC
13		PILLOW	3PCS

HARDWARE LIST			
NO	Shape	Specification	Quantity
A		ROUND LEG Φ50*50MM	10PCS
B		RECTANGLE LEG 150*50*50MM	7PCS
C		MALE BRACKET	8PCS
D		ROTATING WHEEL	4PCS
E		SCREW #8 x 45MM	24PCS
F		SCREW #8 x 25MM	16PCS
G		HEX NUT Ø5/16"x6MM	2PCS
H		WRENCH M13	1PC
I		THREADED ROD Ø5/16"x100MM	2PCS
J		FLAT WASHER Ø5/16"x2MM	2PCS

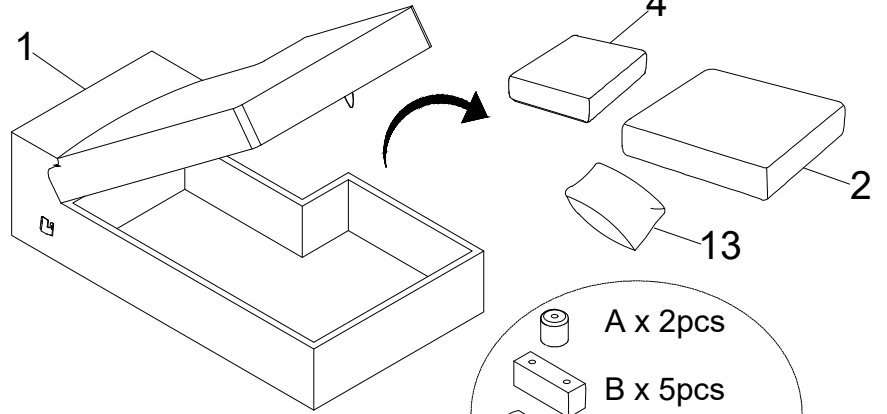



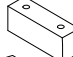


Not included
No Se Adjunto
Non indus

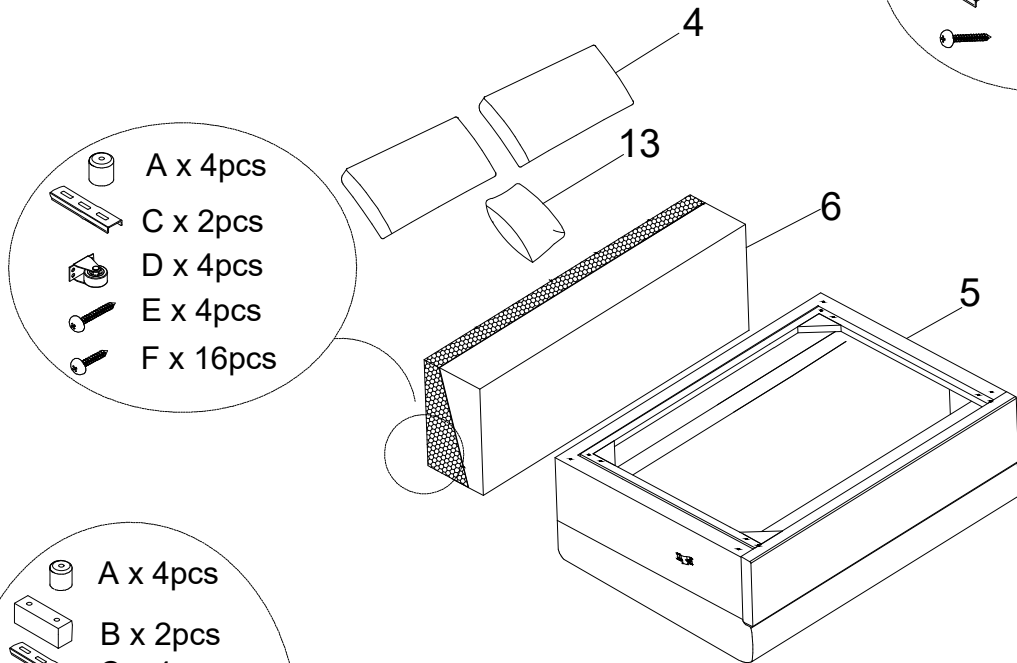







Do not tighten screws until completely assembled.


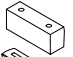






STEP 1

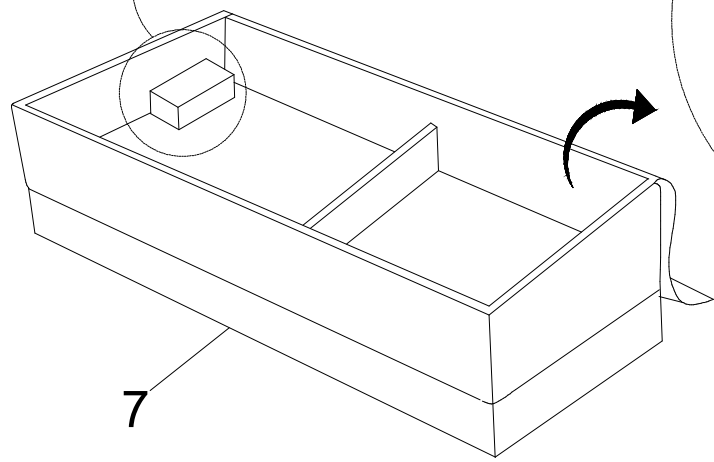


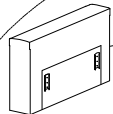

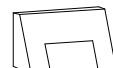



-  A x 2pcs
-  B x 5pcs
-  C x 2pcs
-  E x 12pcs



-  A x 4pcs
-  C x 2pcs
-  D x 4pcs
-  E x 4pcs
-  F x 16pcs

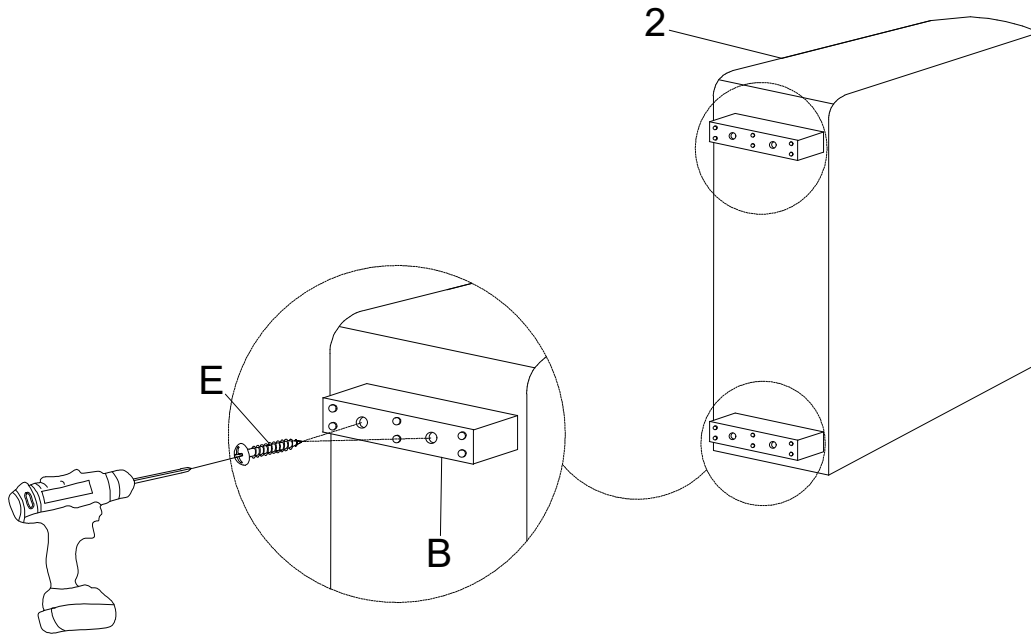
-  A x 4pcs
-  B x 2pcs
-  C x 4pcs
-  E x 8pcs
-  G x 2pcs
-  H x 1pc
-  I x 2pcs
-  J x 2pcs



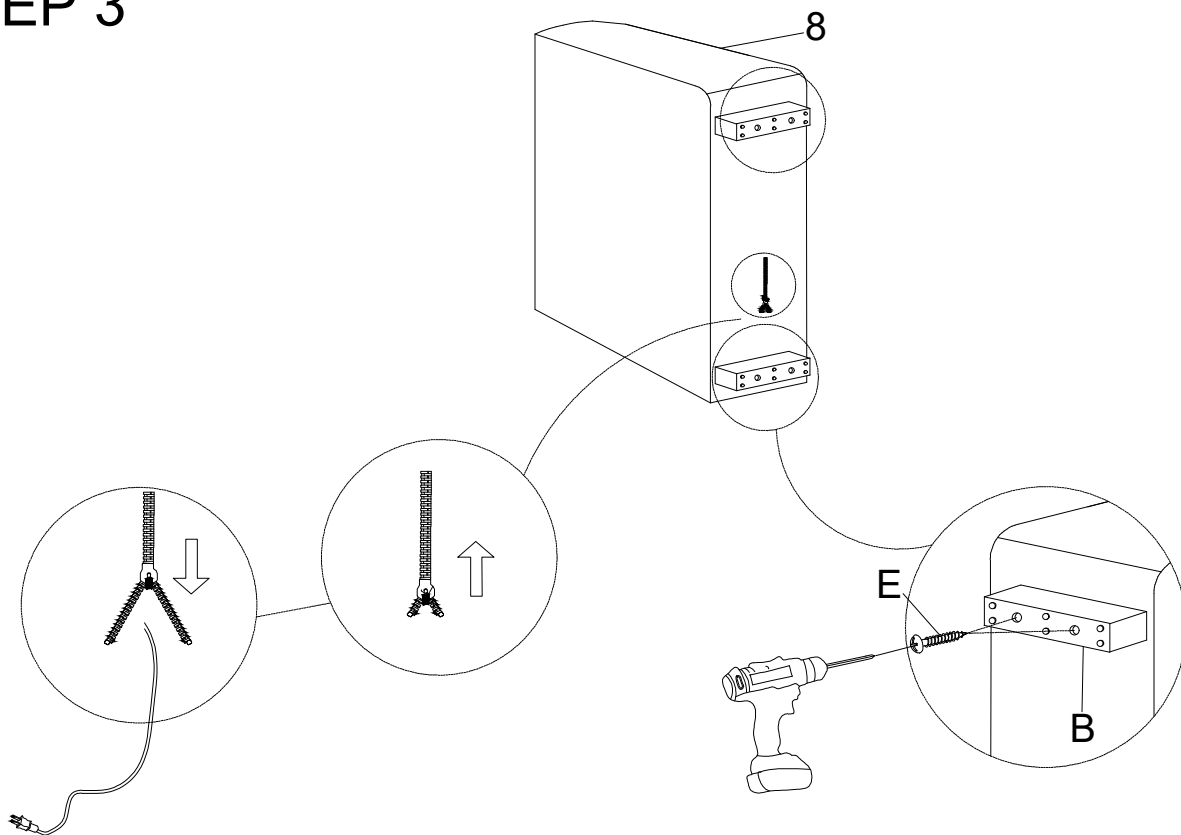
-  8
-  9
-  10
-  11
-  12
-  13

Do not tighten screws until completely assembled.

STEP 2

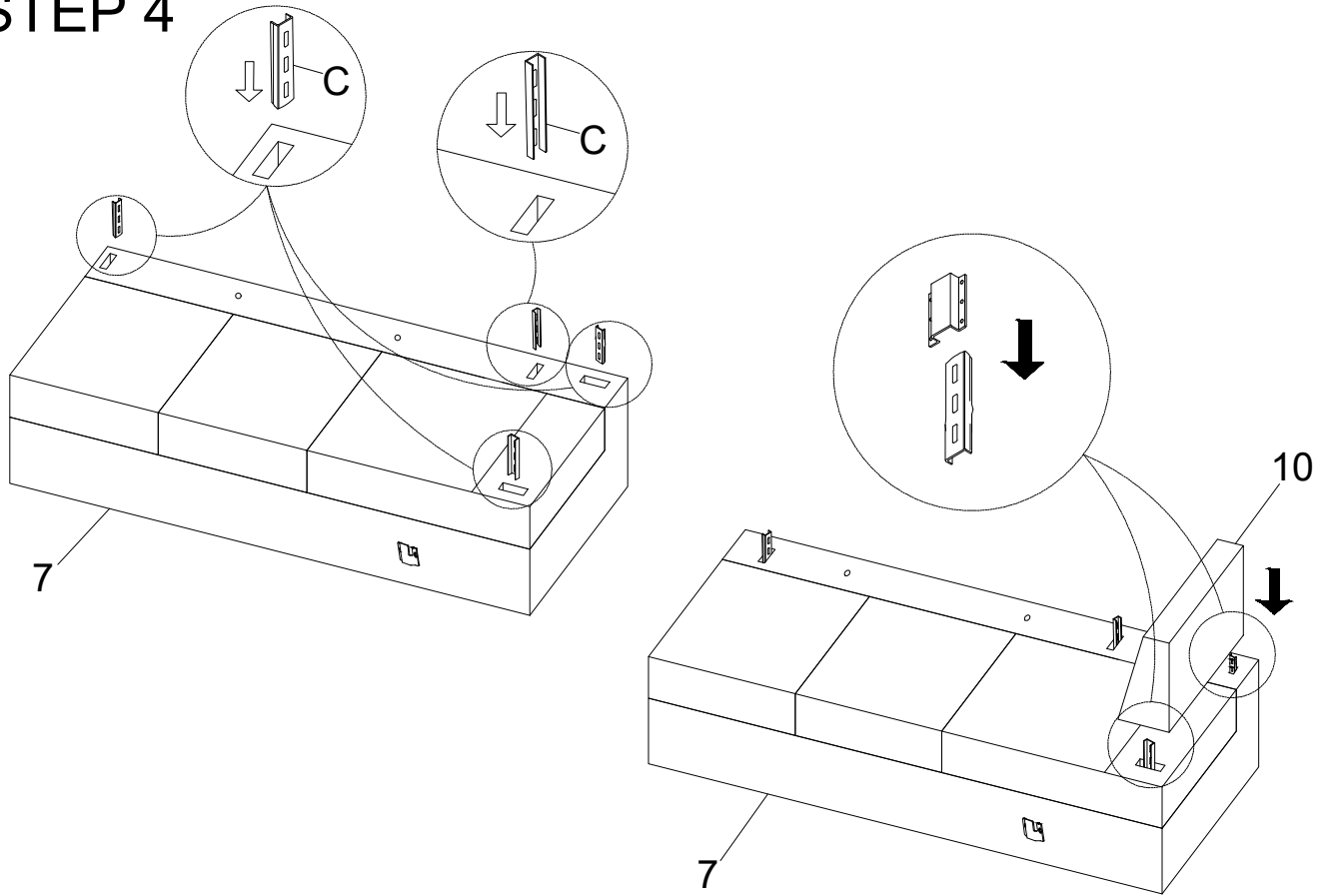


STEP 3

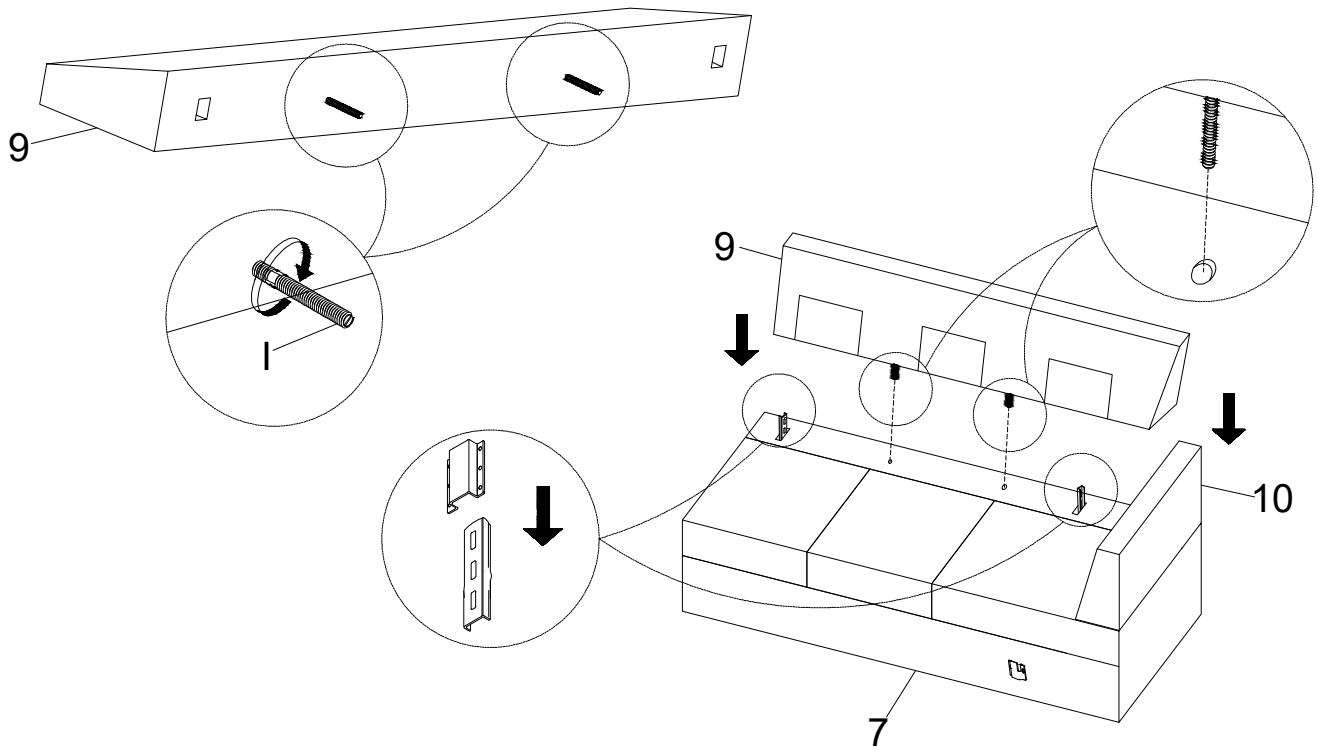


Do not tighten screws until completely assembled.

STEP 4

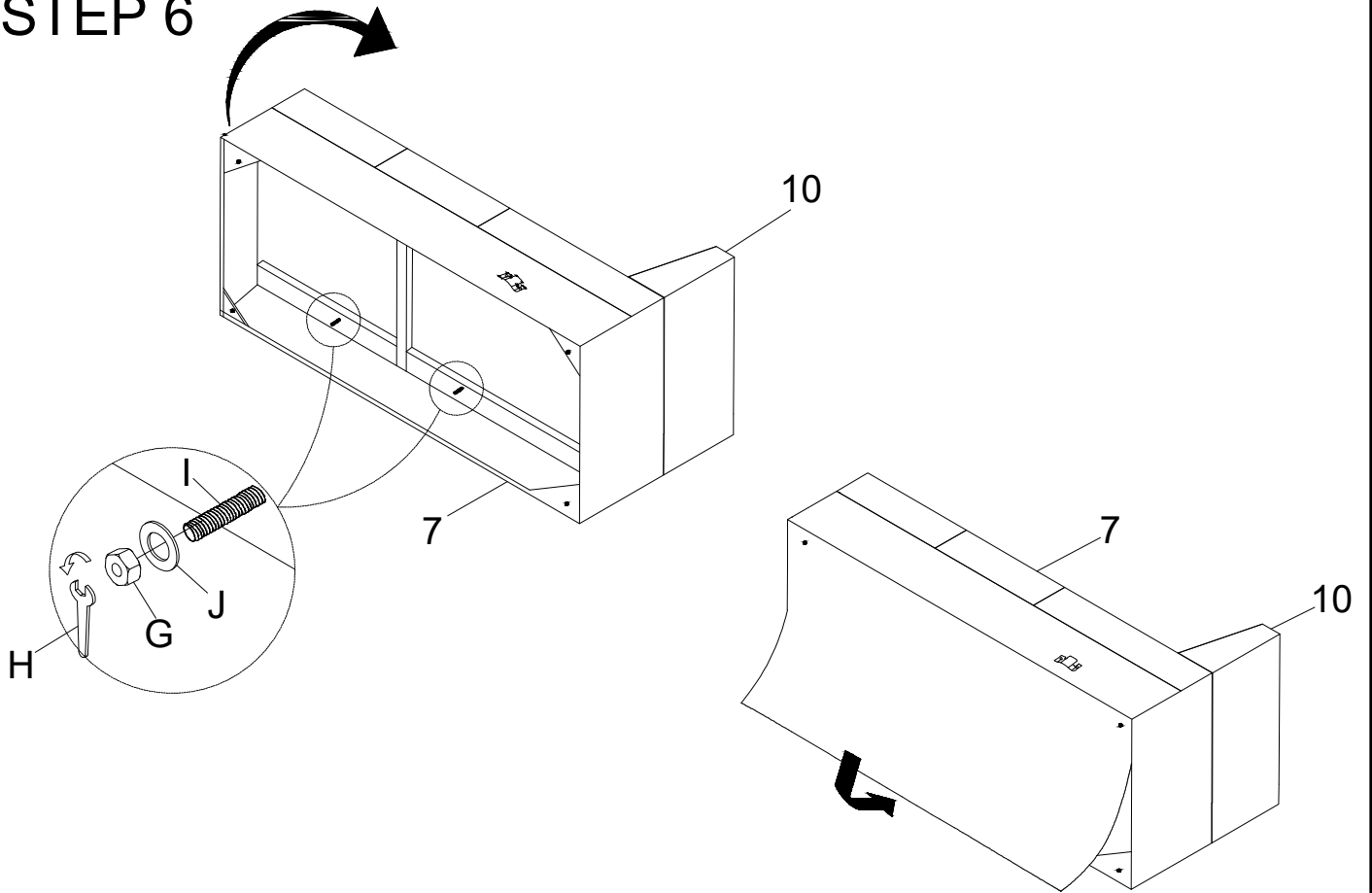


STEP 5

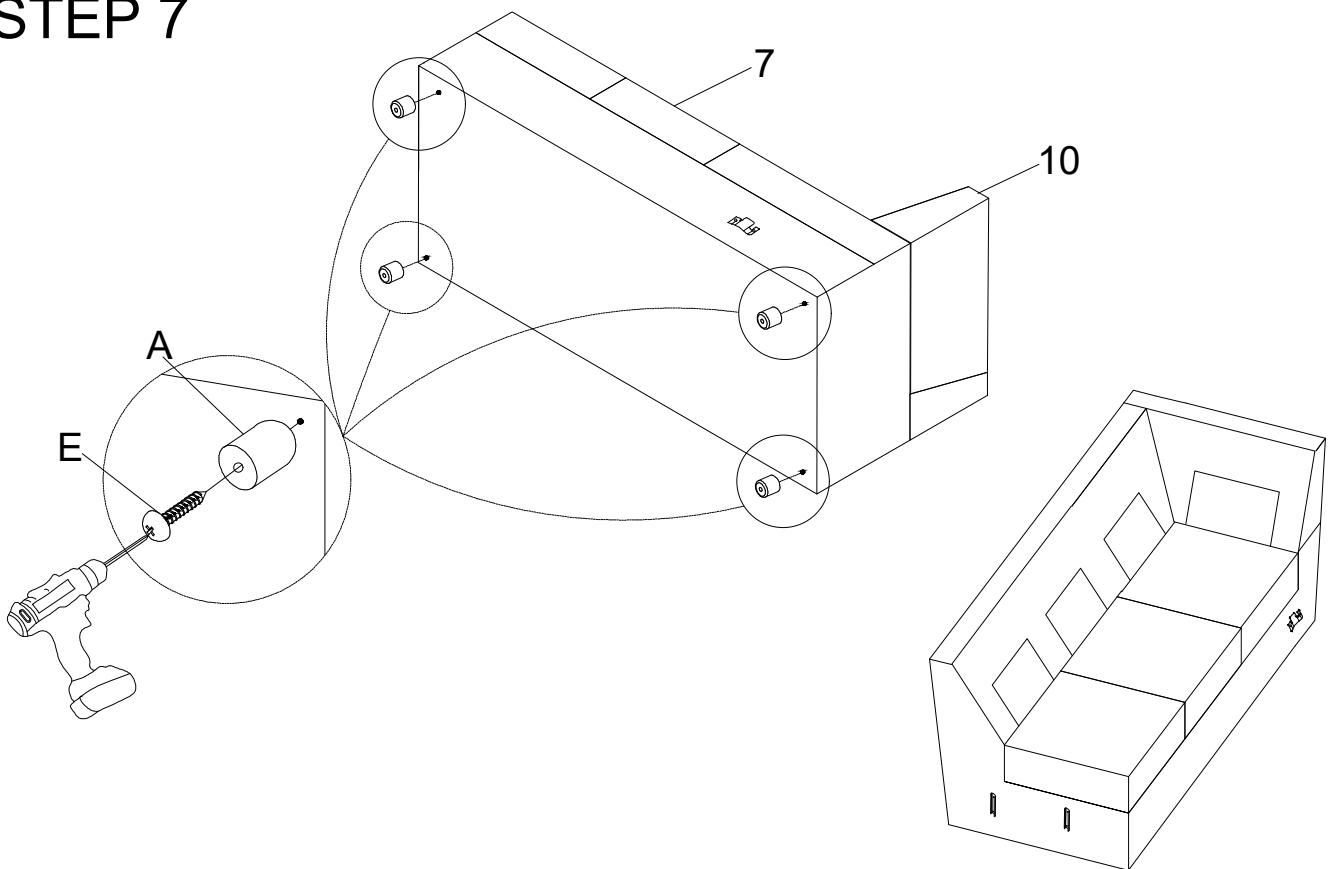


Do not tighten screws until completely assembled.

STEP 6

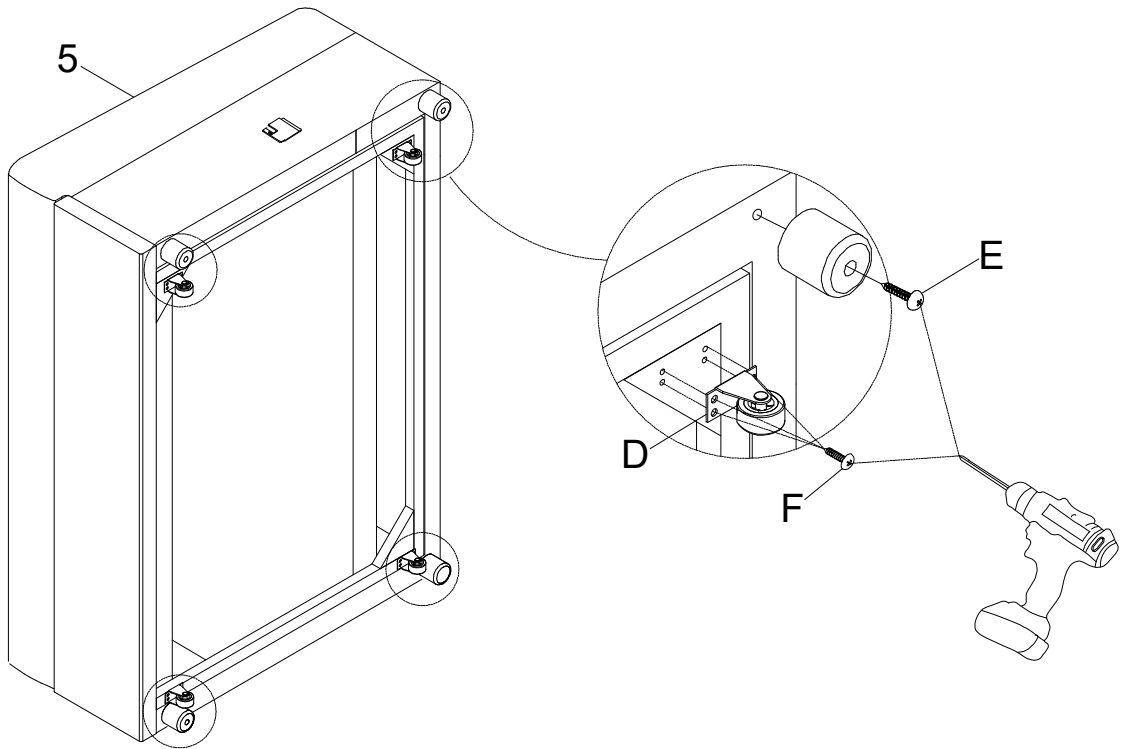


STEP 7

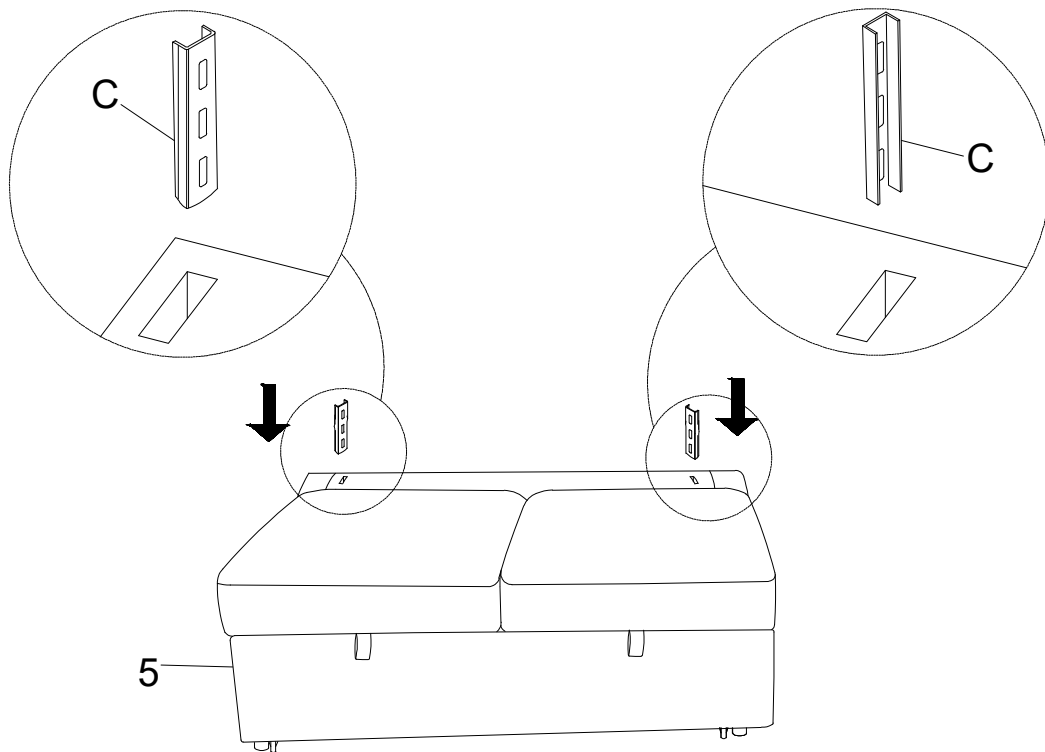


Do not tighten screws until completely assembled.

STEP 8

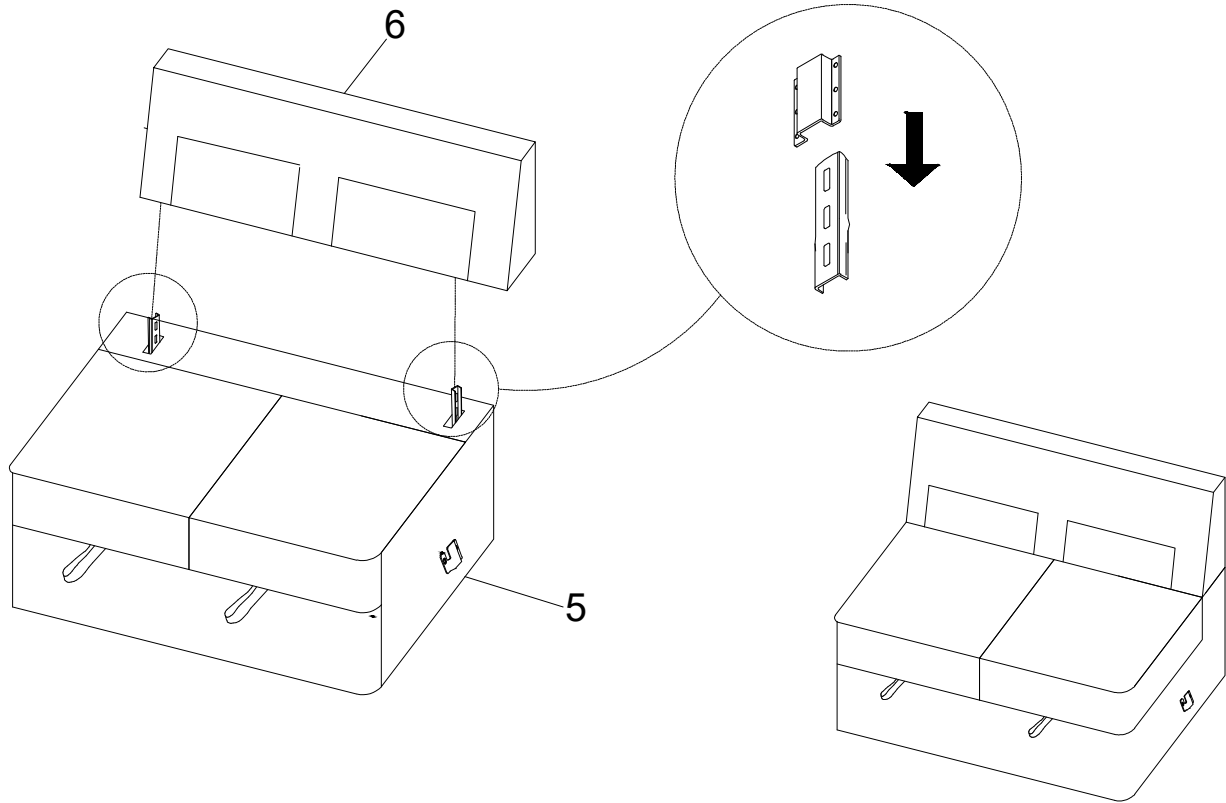


STEP 9

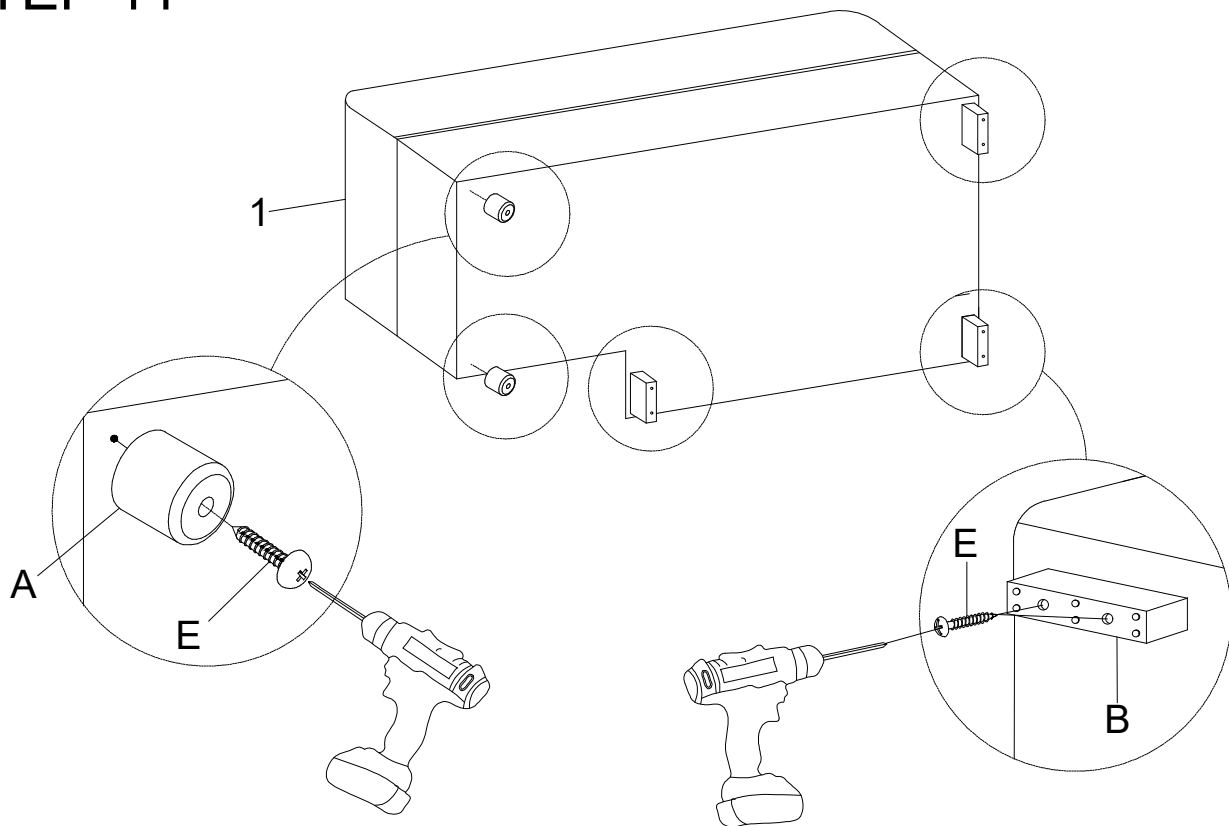


Do not tighten screws until completely assembled.

STEP 10

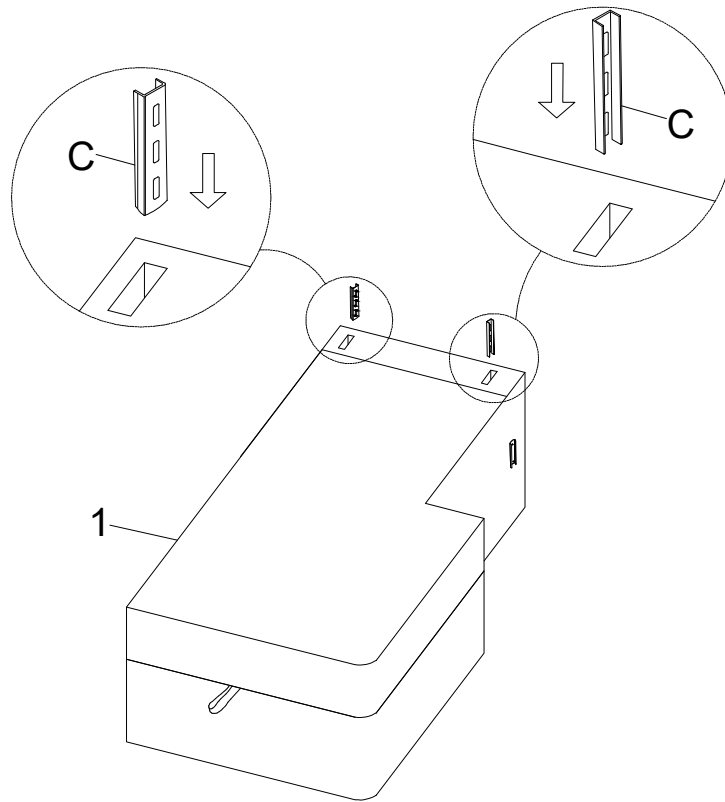


STEP 11

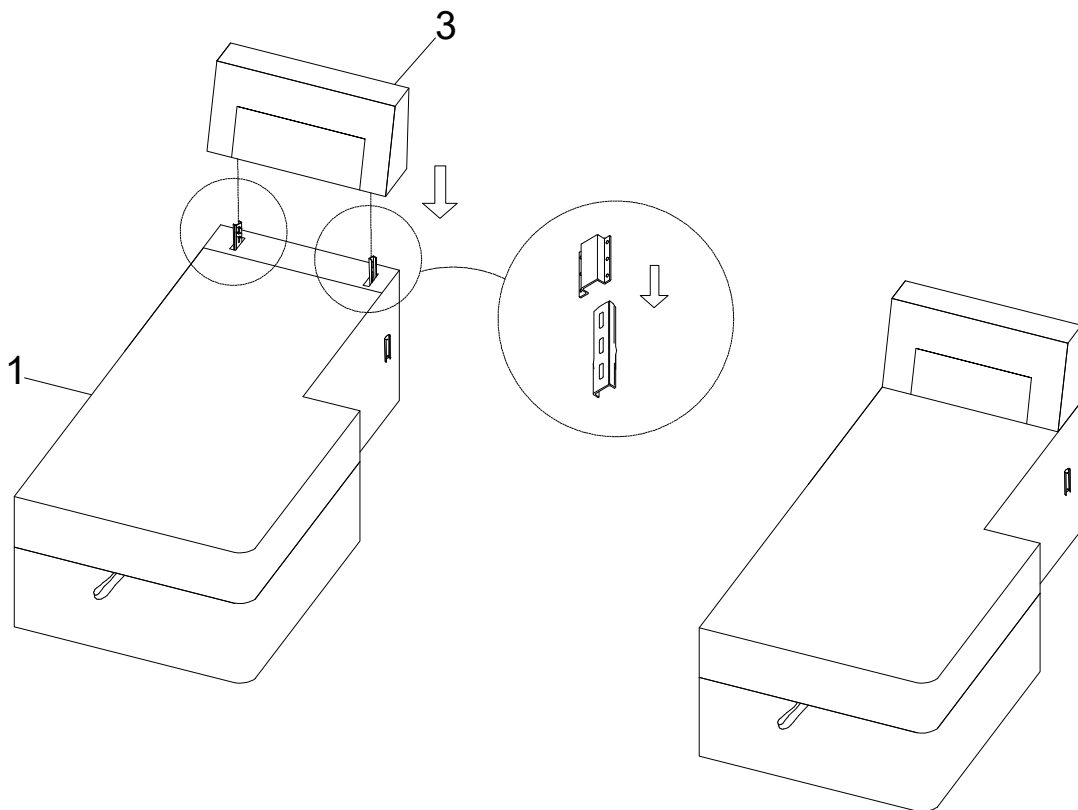


Do not tighten screws until completely assembled.

STEP 12

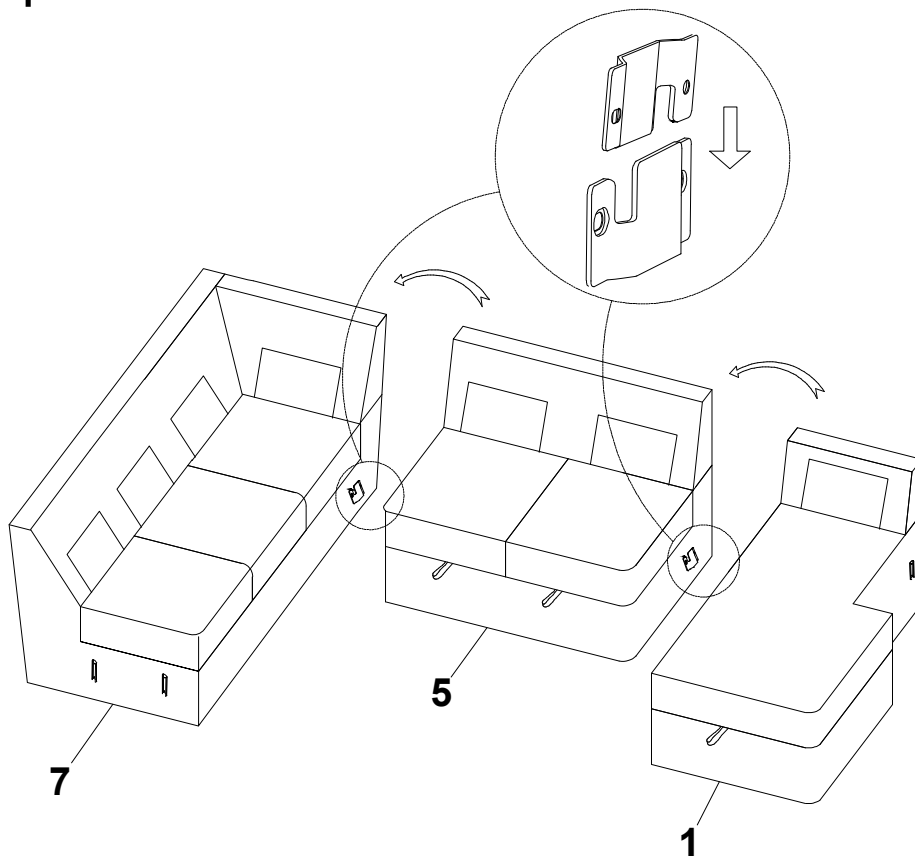


STEP 13

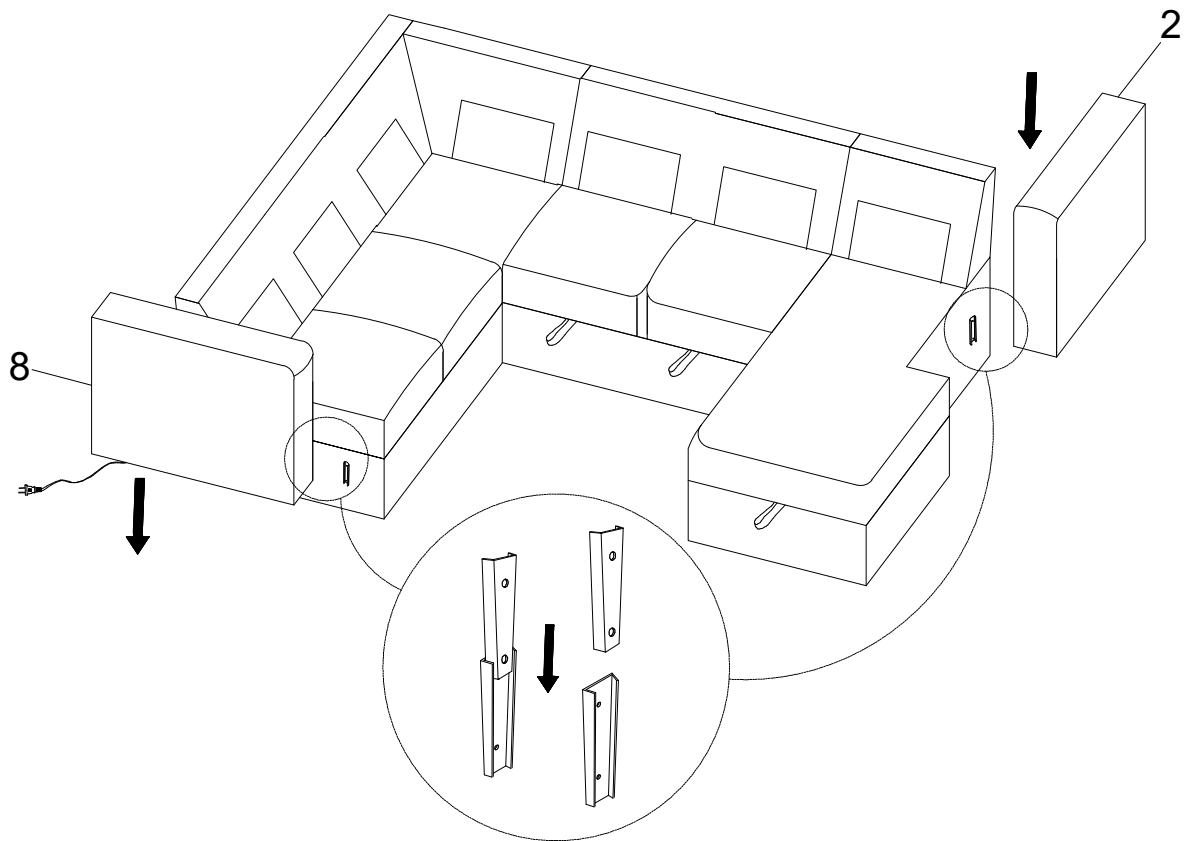


Do not tighten screws until completely assembled.

STEP 14

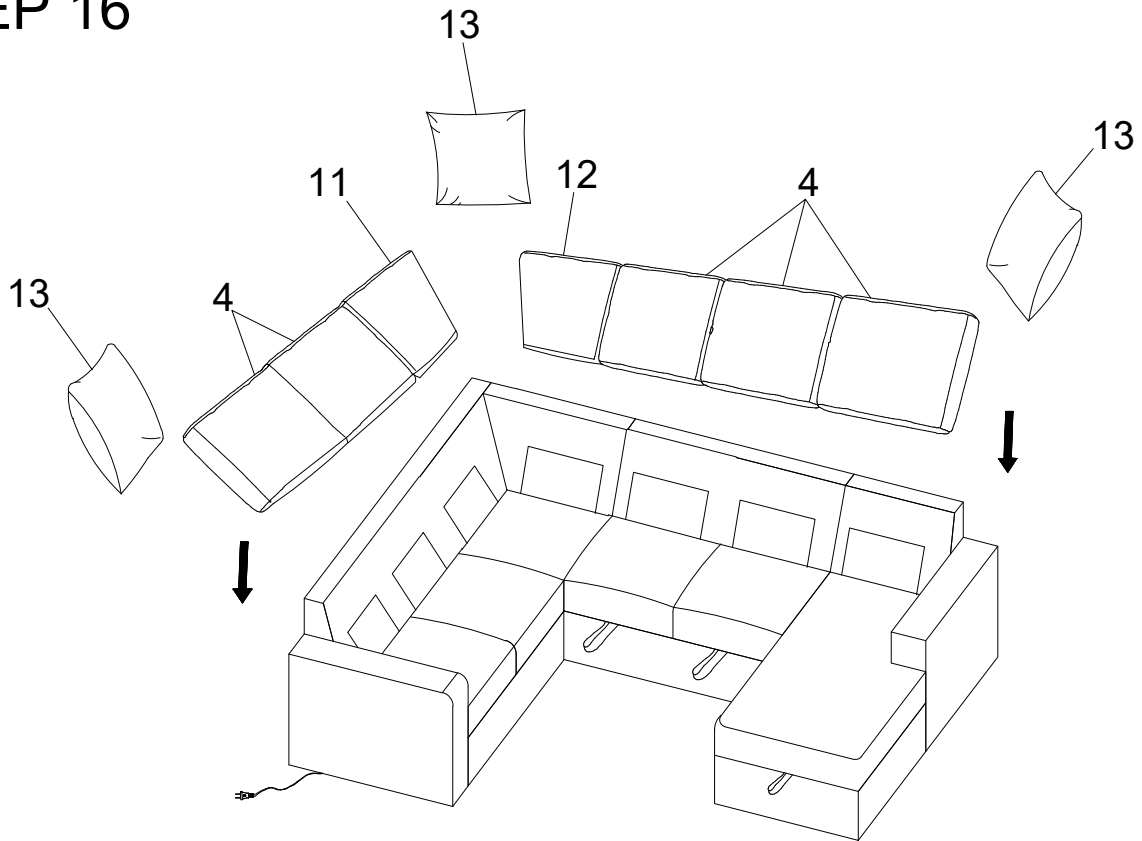


STEP 15

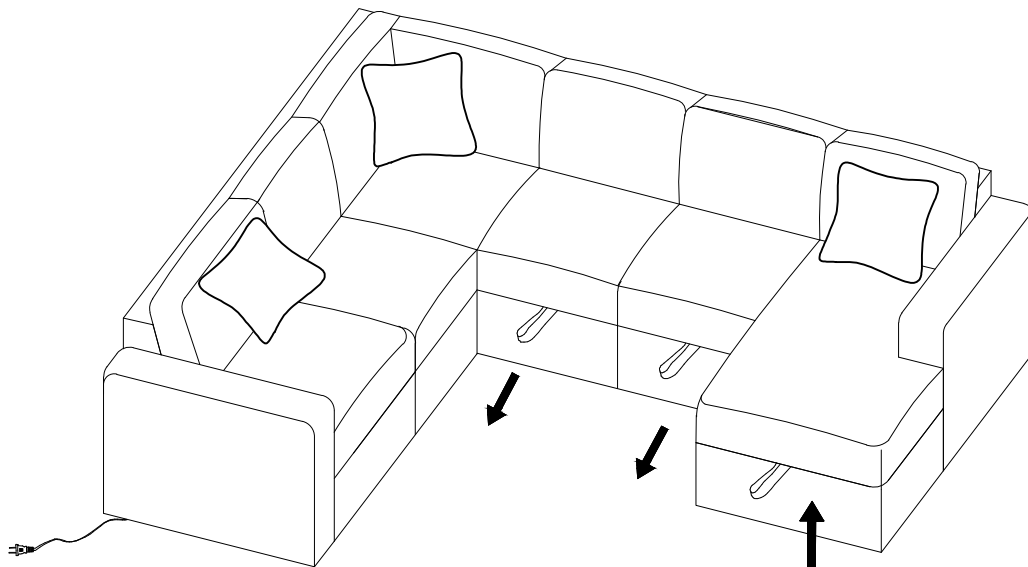


Do not tighten screws until completely assembled.

STEP 16

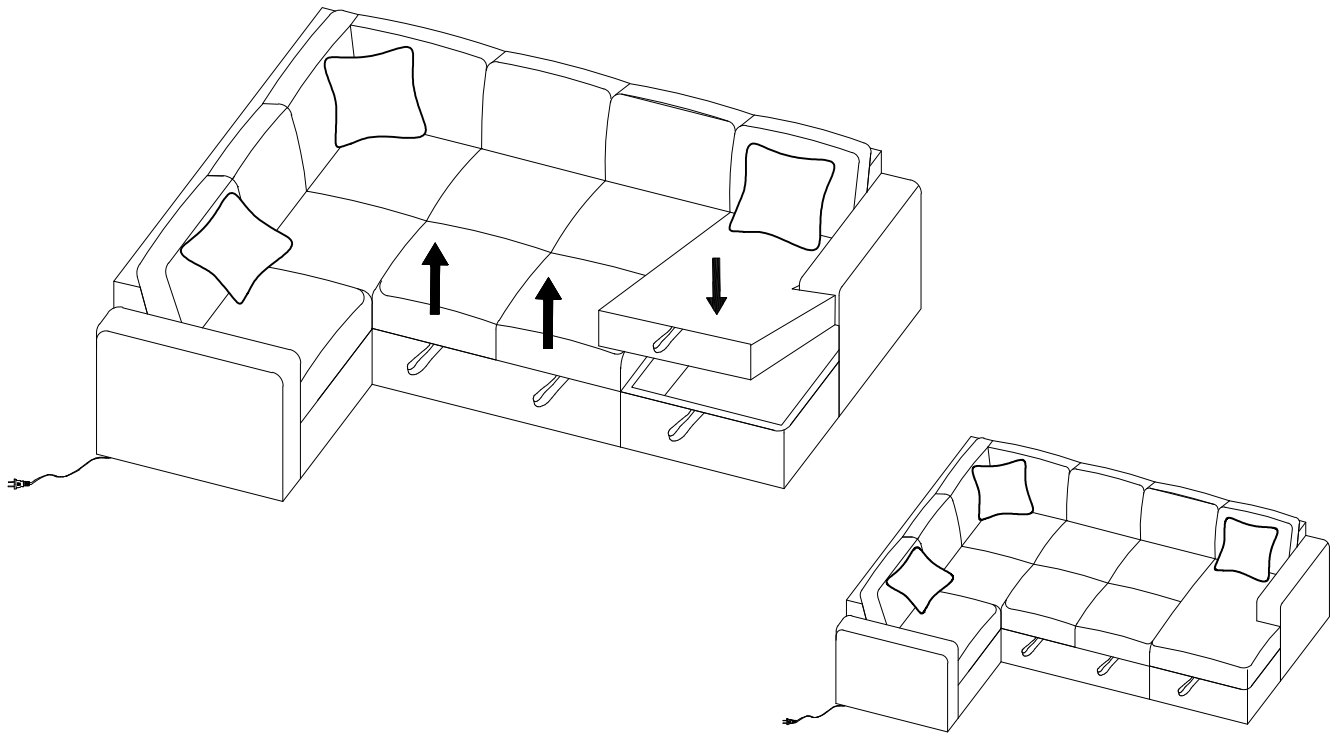


STEP 17

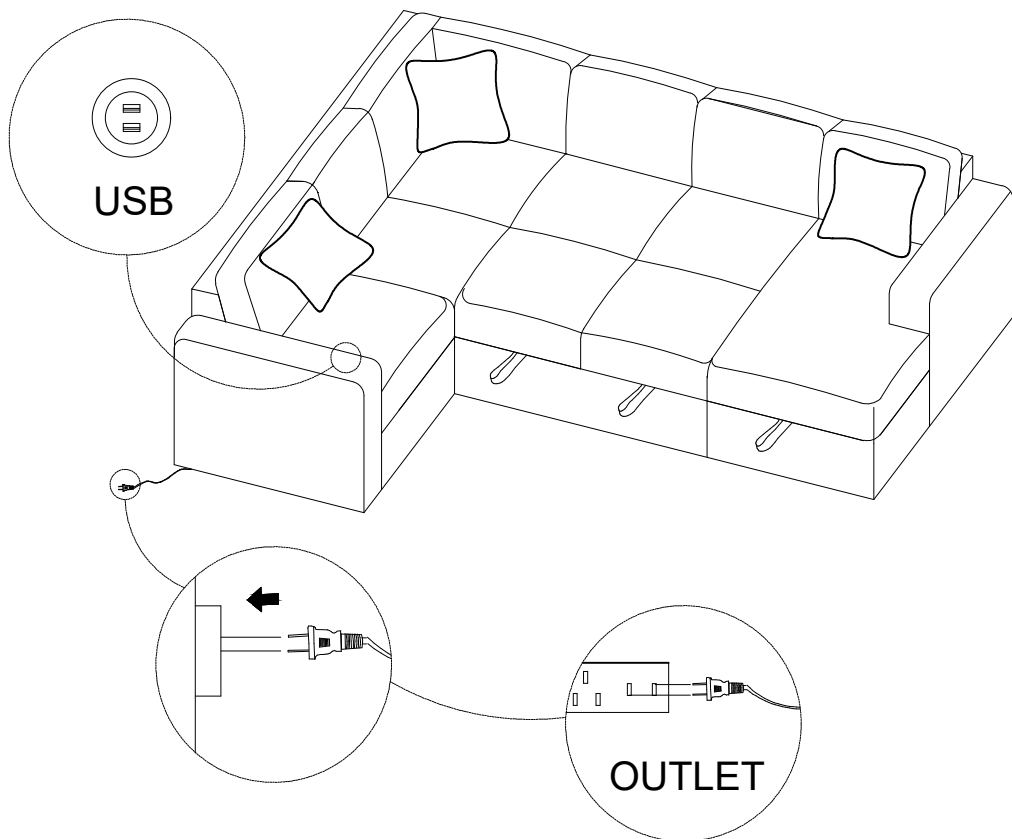


Do not tighten screws until completely assembled.

STEP 18



STEP 19



Do not tighten screws until completely assembled.