
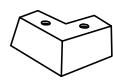





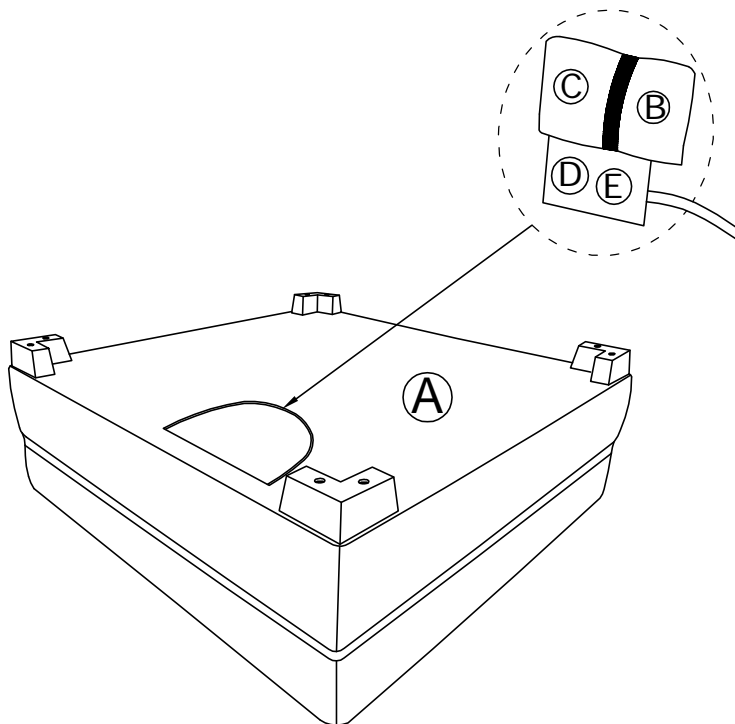
ASSEMBLY INSTRUCTION

OTTOMAN

NO.	PARTS LIST	QTY	DESCRIPTION
A		1	Ottoman
B		4	Wooden Leg 145*145*70mm
C		8	Allen Bolt ØM8*75
D		8	Flat Washer M8*Ø19*1.5mm
E		1	Allen Key M5*100*38mm

STEP 1:

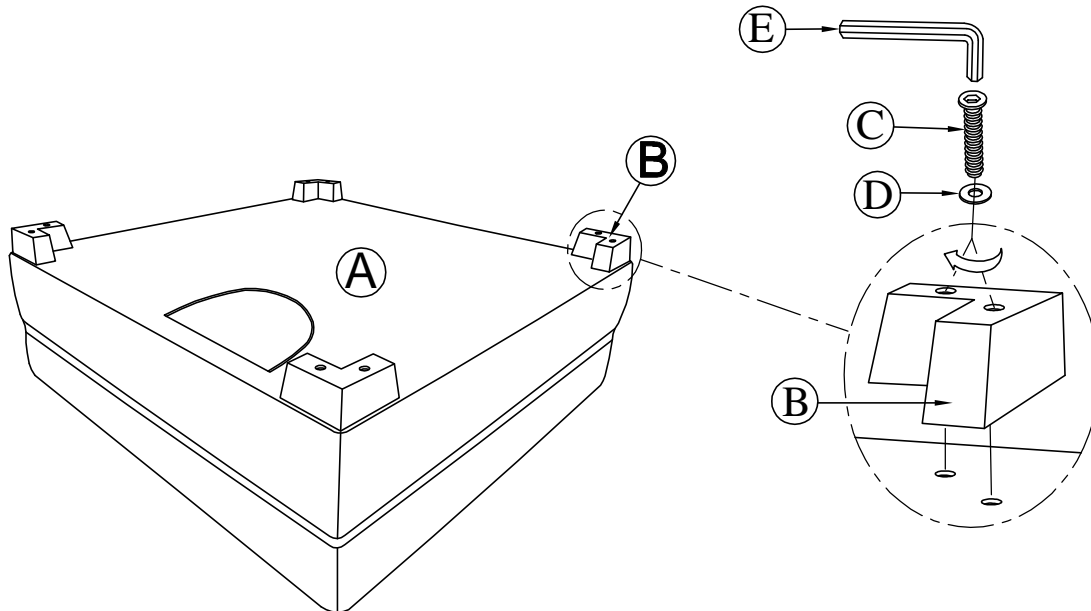
Location of KD parts
Take out legs from the zippered pocket.



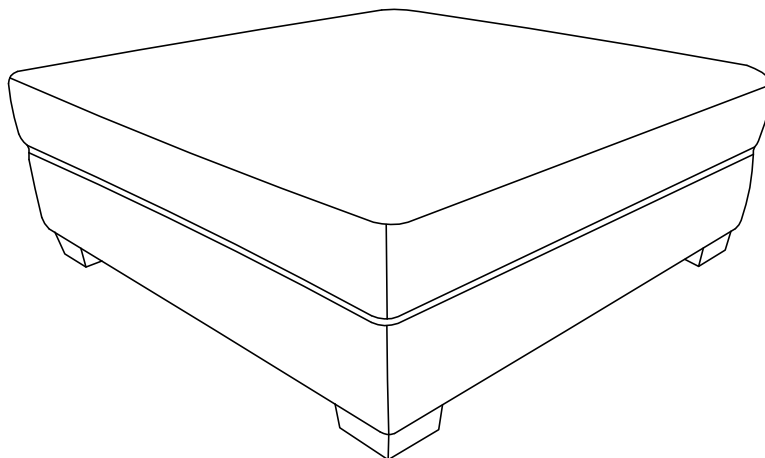
ASSEMBLY INSTRUCTION

OTTOMAN

STEP 2: Use Allen Bolt (C), Flat Washer (D) and Allen Key (E) to fix Wooden Legs (B) on Ottoman (A).



STEP 3:



CARE INSTRUCTION FOR FABRIC FURNITURE





In order to maintain the original appearance of your fabric furniture, please follow below simple care procedures.

°Avoid exposing furniture directly to sunlight or heating and air conditioning outlets. Exposure to sunlight or heating and air conditioning outlets will fade/damage fabric.

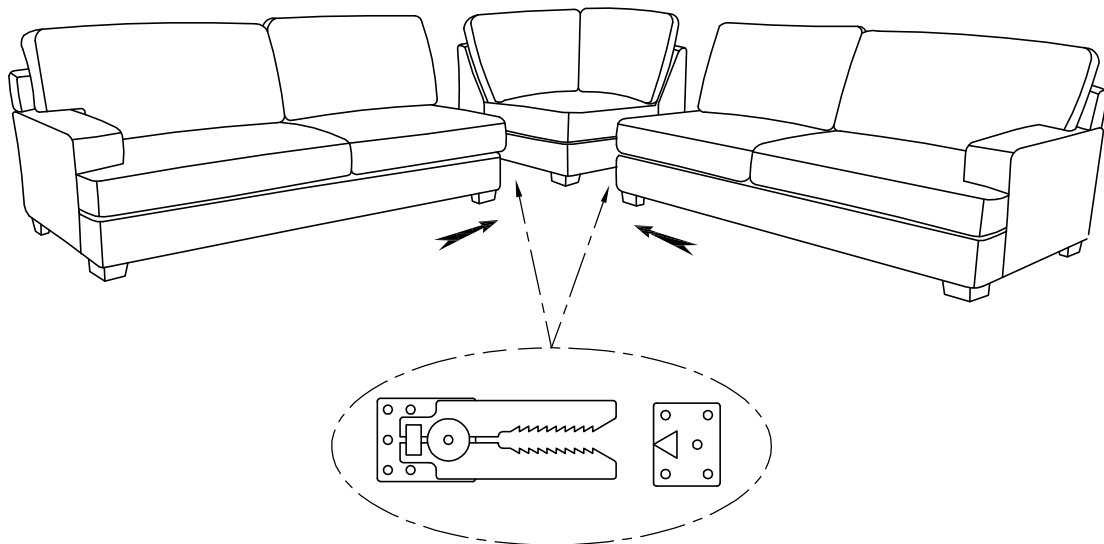
°Wipe gently with a damp soft cloth to remove dust, dirt and any grime build up.

ASSEMBLY INSTRUCTION

OTTOMAN

NO.	PARTS LIST	QTY	DESCRIPTION
A		1	CORNER SEAT
B		1	LSF 2-SEATER
C		1	RSF 2-SEATER
D		1	OTTOMAN

STEP 4:



STEP 5:

Completed

