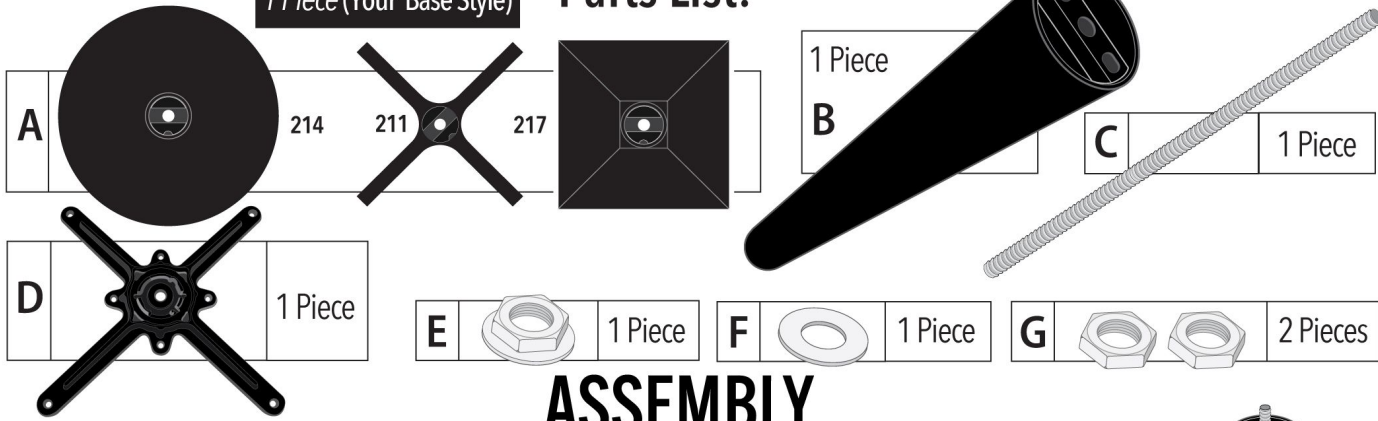


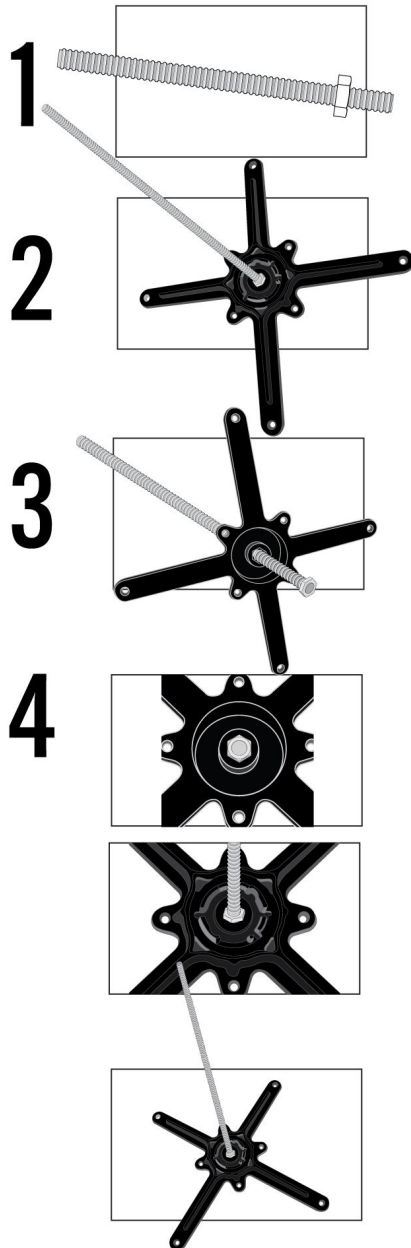
Table Base ASSEMBLY INSTRUCTIONS

1 Piece (Your Base Style)

Parts List:

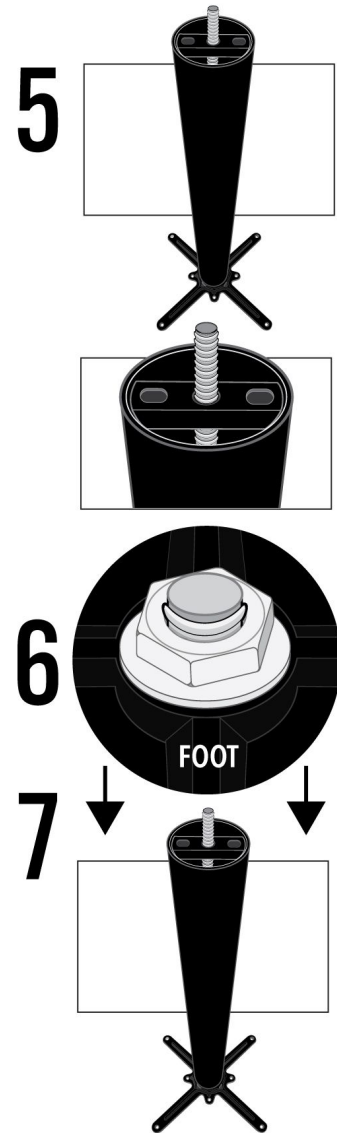


ASSEMBLY



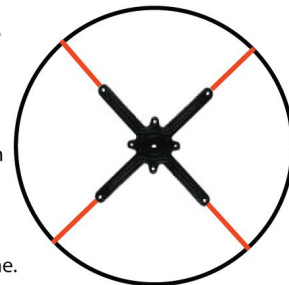
- 1** Thread one nut (G) on the threaded rod (C) about 4 inches down
- 2** With the flat side of the table mount (D) facing AWAY from the nut, place the table mount on the threaded rod.
- 3** Thread the remaining nut (G) on the end of the threaded rod, far enough that it will hold.
- 4** Now tighten the first nut (G) down so the table mount (D) is sandwiched between both nuts and is securely tight. The second nut should be in the recess on the table mount.
- 5** Slide the column (B) down over the threaded rod. The "tab" on 1 side of the column should lock into one of the grooves in the bottom of the mounting plate, and the threaded rod should come through the cross piece (cross piece not on all bases).
- 6** Place the foot (A) on the column (B), guiding the threaded rod through the center hole on the foot.
- 7** Place the washer (F) and then the locknut (E) and tighten.
- 8** Place your tabletop upside down on the floor, and place the base in the middle. Measure from each end of the mounting plate to the tale edge, adjusting to center the base.

When each measurement is the same , use the screws to attach base to top.



8 Centering the Table Base onto the table top

- Using the *Tick Marks* provided on the side of the instruction sheet, measure from the corner of the table base top to the edge of the table.
- Work your way around, ensuring each corner is the same.



Tick Marks

HOLLAND BAR STOOL CO.

www.HollandBarStool.com

Questions/Comments: 616.399.5530 or Help@HollandBarstool.com