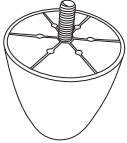



# ASSEMBLY INSTRUCTION

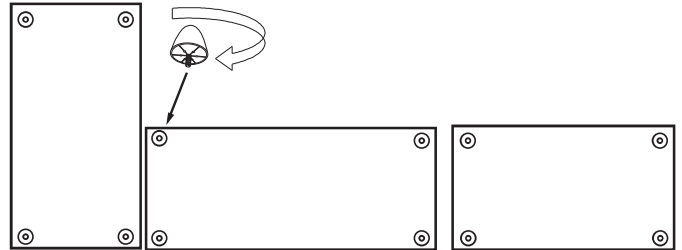
Please follow below Assembly Instruction step by step.

## HARDWEAR LIST

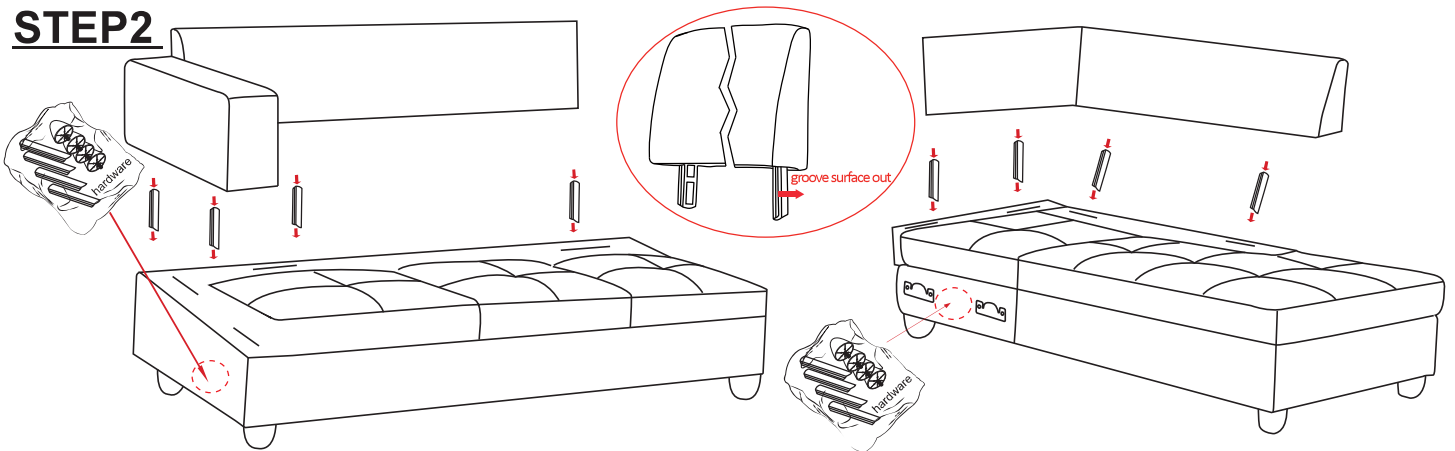
NO.	DESCRIPTION	QTY (pcs)
A	 leg	12
B		8

## STEP1

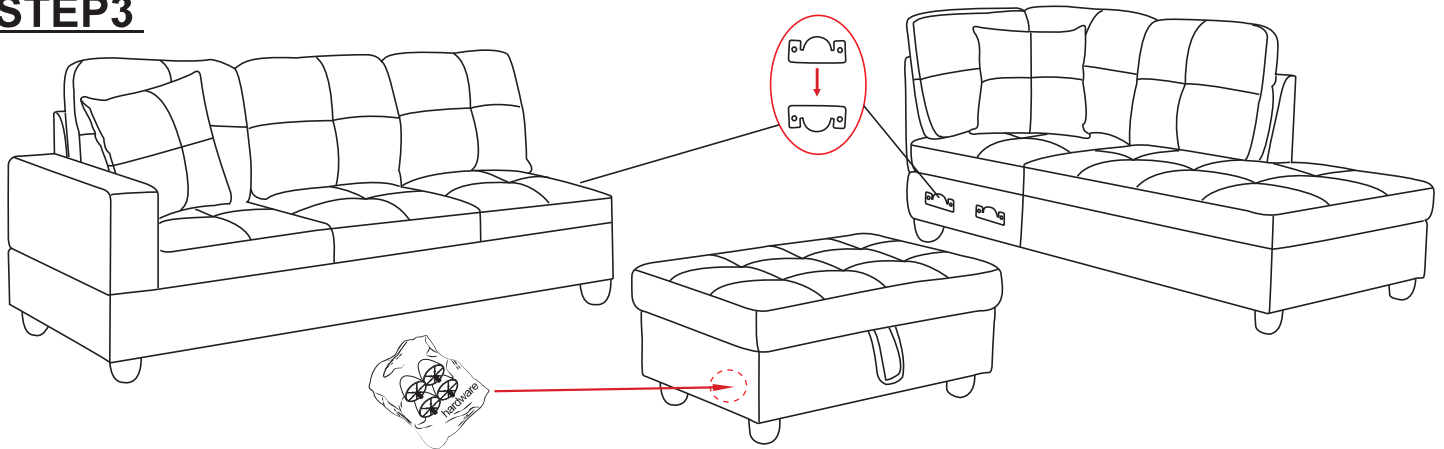
ATTENTION:  
LEGS LOCATION:  
Please check zipper  
compartment underneath the seat area.



## STEP2



## STEP3



## STEP4

