

# USE AND CARE GUIDE

KBS-66K004

KBS-52K252

KBS-52K135



**Please scan the below QR code to get the video for easy installation.**



**Questions or Support?**

Email: [sofucor\\_service@163.com](mailto:sofucor_service@163.com)

Email: [sofucorceilingfan@163.com](mailto:sofucorceilingfan@163.com)

Website: [www.sofucorfan.com](http://www.sofucorfan.com)

# 01 Table of Contents

|  |    |                                 |    |
|--|----|---------------------------------|----|
| Safety Information - - - - -               | 02 | Remote control manual - - - - - | 16 |
| WARNING - - - - -                          | 03 | Match code - - - - -            | 17 |
| Three ceiling installation methods - - - - | 04 | Fans Balance - - - - -          | 18 |
| Accessory drawing - - - - -                | 05 | Care and cleaning - - - - -     | 19 |
| Installation procedure - - - - -           | 06 | Trouble shooting - - - - -      | 19 |

# 02 Safety Information

**READ ALL SAFETY INFORMATION AND INSTALLATION INSTRUCTIONS BEFORE YOU BEGIN INSTALLING THE FAN AND SAME INSTRUCTIONS.**



**Warning:**  
*Kindly turn off the power when connecting cables.*



1. To reduce the risk of electric shock, ensure the electricity has been turned off at the circuit breaker or fuse box before you begin.
2. All wiring must be in accordance with the National Electrical Code ANSI/NFPA 70-1999 and local electrical codes. Electrical installation should be performed by a qualified licensed electrician.
3. The outlet box and support structure must be securely mounted and capable of reliably supporting 35 lbs. (15.9 kg) Use only UL Listed outlet boxes marked "Acceptable for Fan Support of 35 lbs. (15.9 kg) or less".
4. The fan must be mounted with a minimum of 7 ft. (2.1 m) clearance from the trailing edge of the blades to the floor.
5. Do not place objects in the path of the blades.
6. To avoid personal injury or damage to the fan and other items, use caution when working around or cleaning the fan.
7. Electrical diagrams are for reference only. Light kits that are not packed with the fan must be UL-listed and marked suitable for use with the model fan you are installing. Switches must be UL General Use Switches. Refer to the instructions packaged with the light kits and switches for proper assembly.
8. After making electrical connections, spliced conductors should be turned upward and pushed carefully up into the outlet box. The wires should be spread apart with the grounded conductor and the equipment-grounding conductor on one side of the outlet box.
9. All setscrews must be checked and re-tightened where necessary before installation.

|  |   |
|--|---|
|  | <b>WARNING:</b> To reduce the risk of personal injury, do not bend the blade brackets (also referred to as flanges) during assembly or after installation. Do not insert objects in the path of the blades.   |
|  | <b>WARNING:</b> Remove the rubber motor stops on the bottom of the fan before installing the blades or testing the motor.   |
|  | <b>WARNING:</b> To reduce the risk of fire or electric shock, this fan is NOT suitable for use with solid-state speed controls.   |
|  | <b>WARNING:</b> To avoid possible electrical shock, make sure that the electricity is turned off at the main power box before starting work. If you feel you do not have enough electrical wiring knowledge or experience, contact a licensed electrician.  |
|  | <b>WARNING:</b> Electrical diagrams are for reference only. Optional use of any light kit shall be UL-listed and marked suitable for use with this fan  |
|  | <b>WARNING:</b> To reduce the risk of fire, electrical shock or personal injury, ensure that the fan mounting bracket is supported directly from the building structure or the outlet box marked "Acceptable for Fan Support of 35 lbs. (15.9 kg) or less". Use only the screws provided with the outlet box. |
|  | <b>WARNING:</b> Do not test the fan before affixing the blades. The DC motor needs a load to rotate properly. Affixing blades and then testing the fans.  |

## 03 Warranty

---

The supplier warrants the fan motor to be free from defects in workmanship and material present at time of shipment from the factory for a lifetime after the date of purchase by the original purchaser. The supplier also warrants that all other fan parts, excluding any glass or acrylic blades, to be free from defects in workmanship and material at the time.

of shipment from the factory for a period of two years after the date of purchase by the original purchaser. We agree to correct such defects without charge or at our option replace with a comparable or superior model if the product is returned.

To obtain warranty service, you must present a copy of the receipt as proof of purchase. All costs of removing and re-installing the product are your responsibility. Damage to any part such as by accident, misuse, improper installation, or by affixing any accessories, is not covered by this warranty.

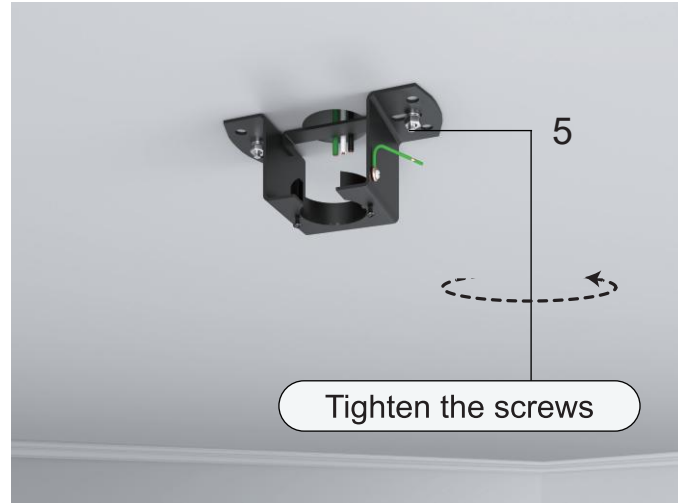
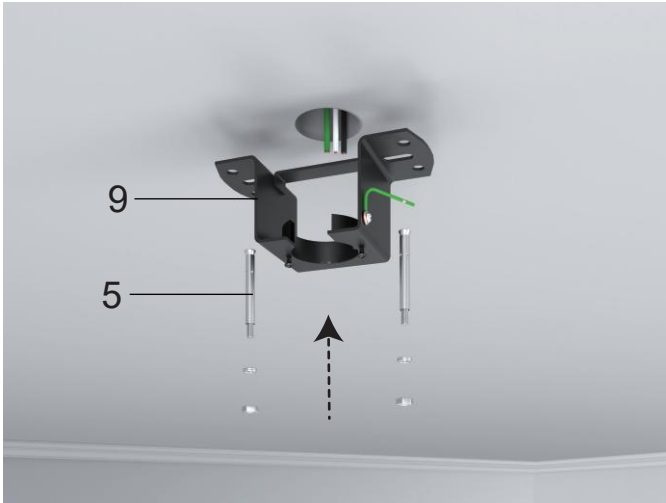
Because of varying climatic conditions this warranty does not cover any changes in brass finish, including rusting, pitting, corroding, tarnishing, or peeling. Brass finishes of this type give their longest useful life when protected from varying weather conditions. A certain amount of "wobble" is normal and should not be considered a defect.

Servicing performed by unauthorized persons shall render the warranty invalid. There is no other express warranty. Sofucor hereby disclaims any and all warranties, including but not limited to those of merchant ability and fitness for a particular purpose to the extent permitted by law. The duration of any implied warranty which cannot be disclaimed is limited to the time period as specified in the express warranty. Some states do not allow a limitation on how long an implied warranty lasts, so the above limitation may not apply to you.

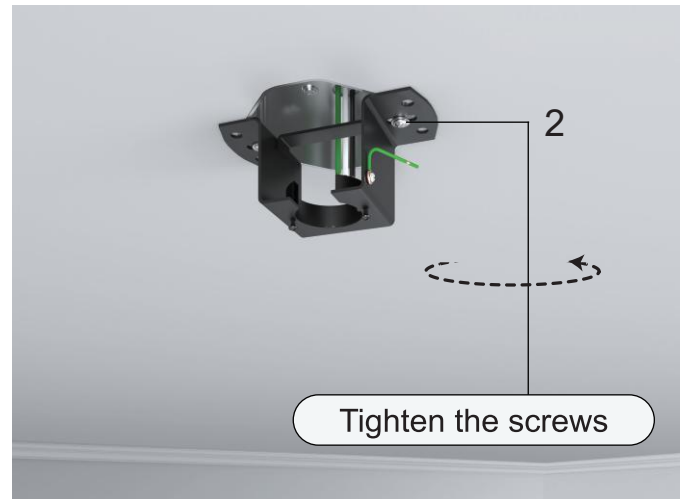
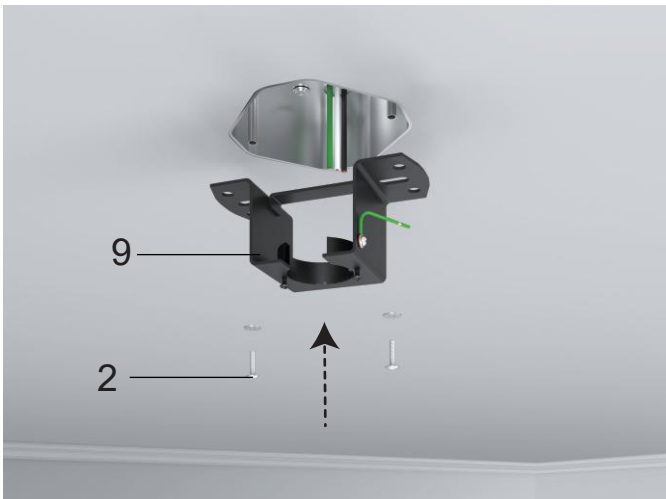
The retailer shall not be liable for incidental, consequential, or special damages arising out of or in connection with product use or performance except as may otherwise be accorded by law. Some states do not allow the exclusion of incidental or consequential damages, so the above exclusion or limitation may not apply to you. This warranty gives specific legal rights, and you may also have other rights which vary from state to state. This warranty supersedes all prior warranties. Shipping costs for any return of product as part of a claim on the warranty must be paid by the customer.

## 04 Three ceiling installation methods

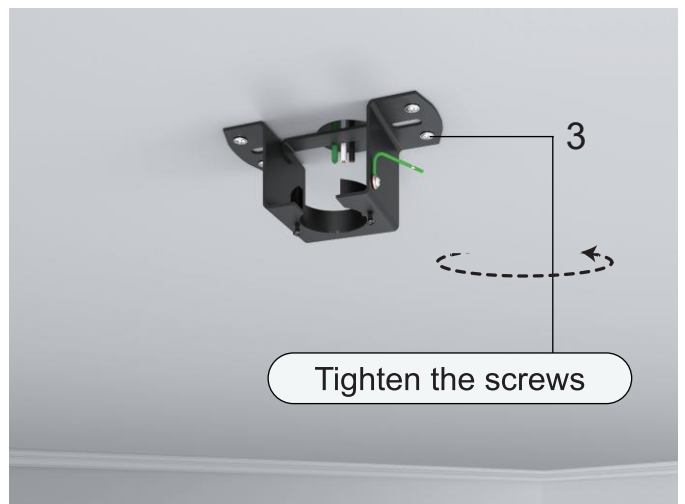
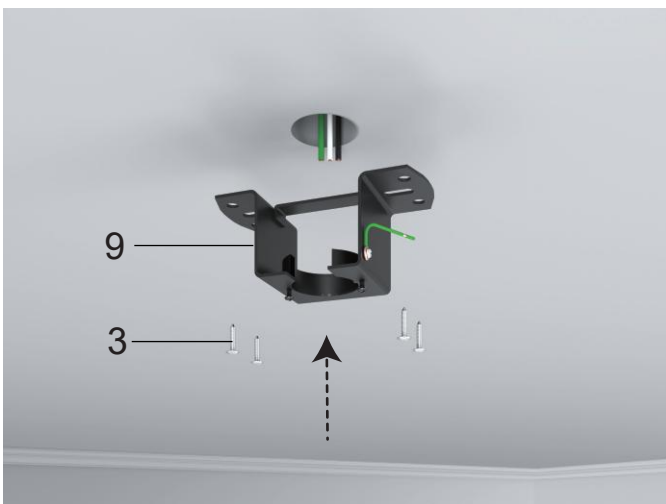
### Concrete Ceiling Mounting Bracket



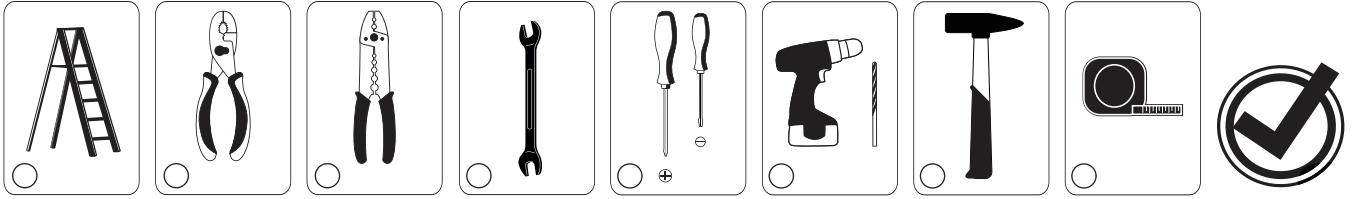
### Hanger for Junction Box Mounting Bracket



### Wooden ceiling Mounting Bracket



# 05 Accessory drawing

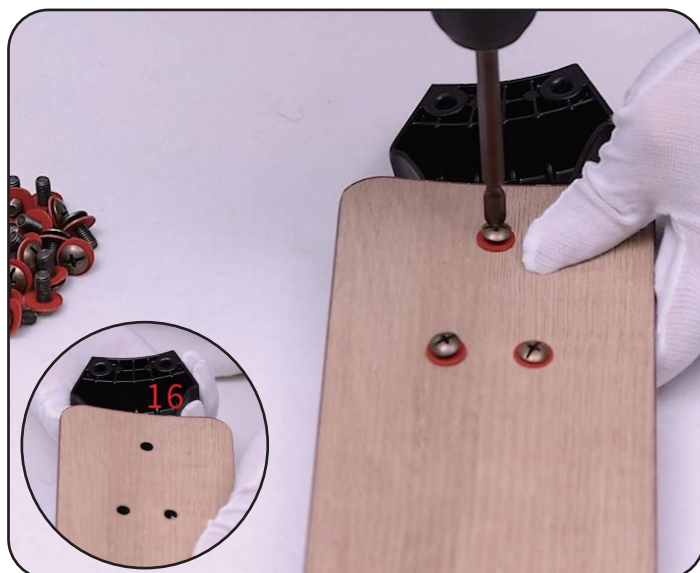


## 06 Installation procedure

1. Put the screw washers on the screws



2. Use screws to fix the blades to the blade bracket and assemble all the blades first



3. Remove the 16 screws on the motor and prepare to install the blades



4. Install the blades on the motor



## 06 Installation procedure

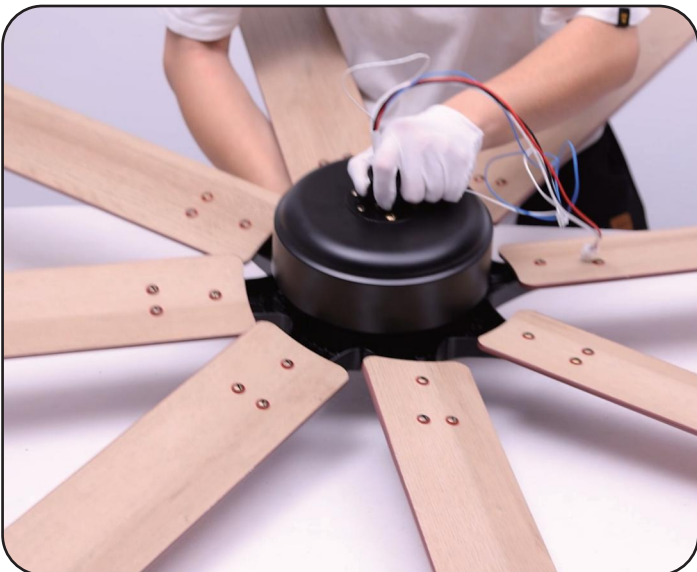
### 5. Install all blades



### 6. Remove the three screws on the side of the motor



### 7. Turn the fan over



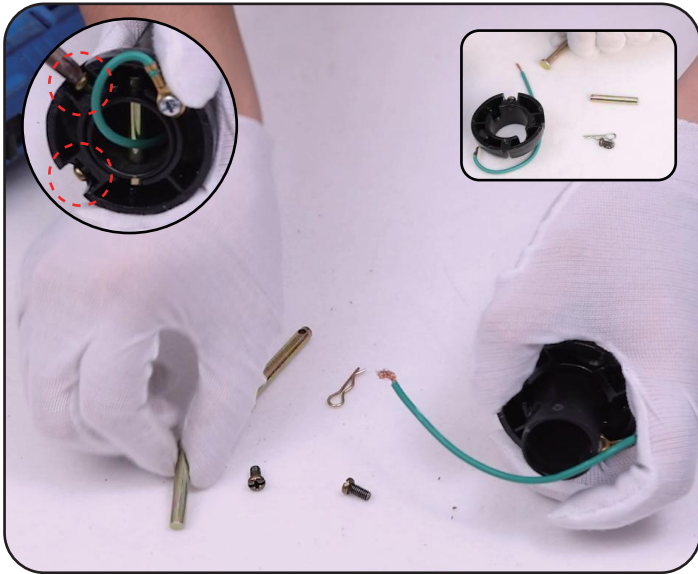
### 8. Remove the lock pin and the bolt of the base of the downrod



## 06 Installation procedure

9. Remove two screws on the hanger ball.

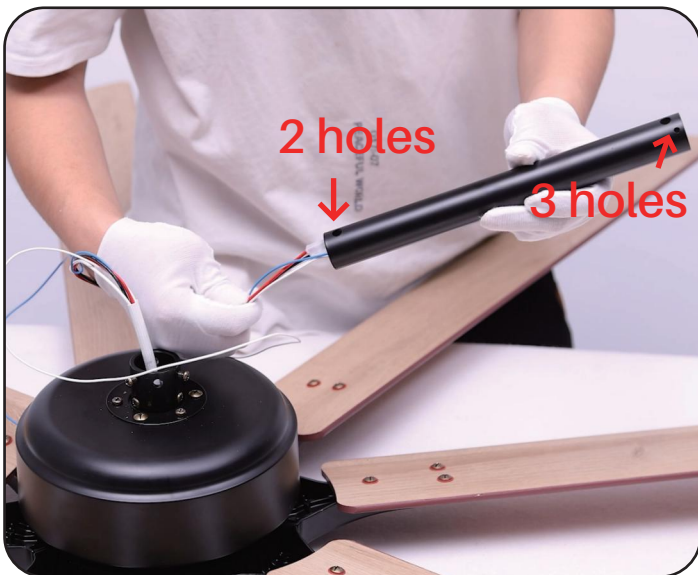
Remove the hanger ball and bolt



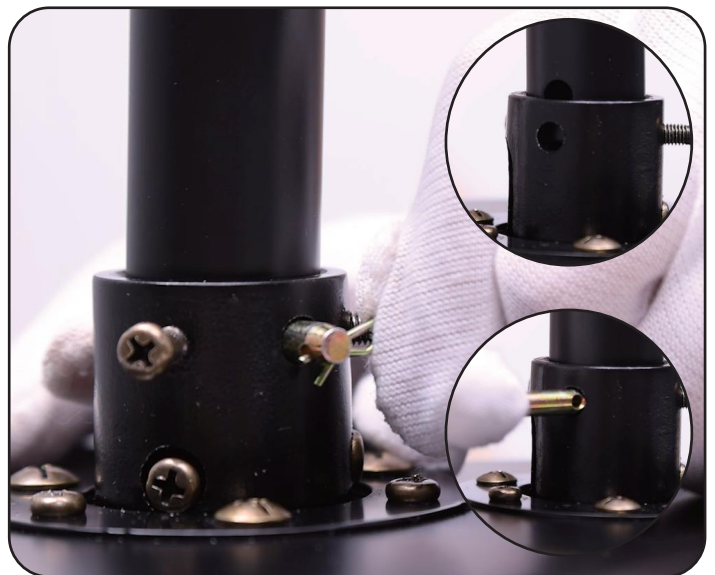
10. Loosen the screws



11. Select one downrod and pass all motor wires through the downrod



12. Insert the bolt, and then fix the bolt with the lock pin



## 06 Installation procedure

13. Tighten the 2 screws to prevent fan shaking during operation



14. Put the decorative cover through the downrod



15. Put the canopy cover through the downrod



16. Put the canopy cover through the downrod



## 06 Installation procedure

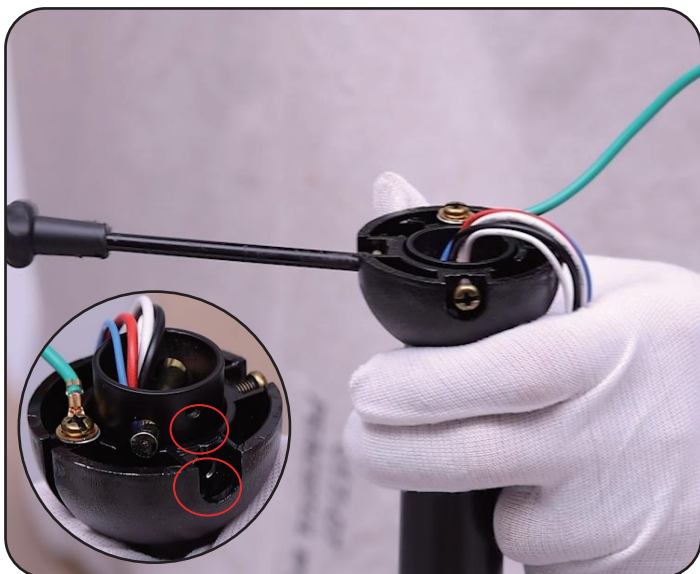
17. Put the hanger ball through the downrod



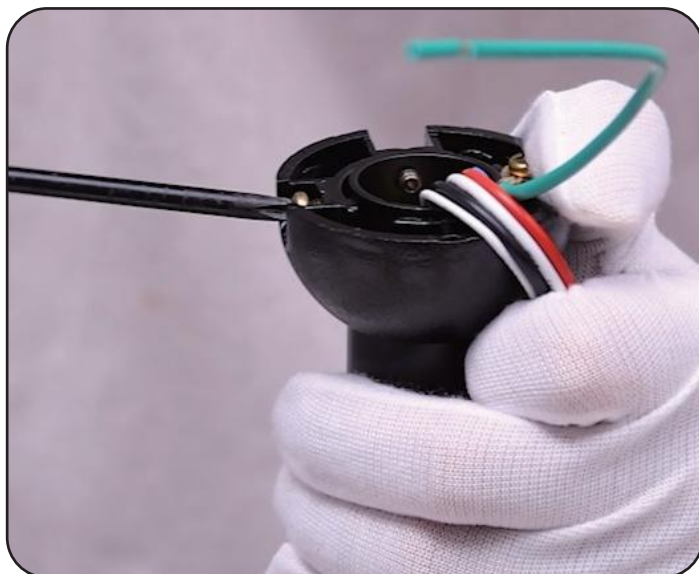
18. Insert the bolt



19. Align the screw holes of the hanging ball and boom, use screws to align the screw holes and tighten the screws



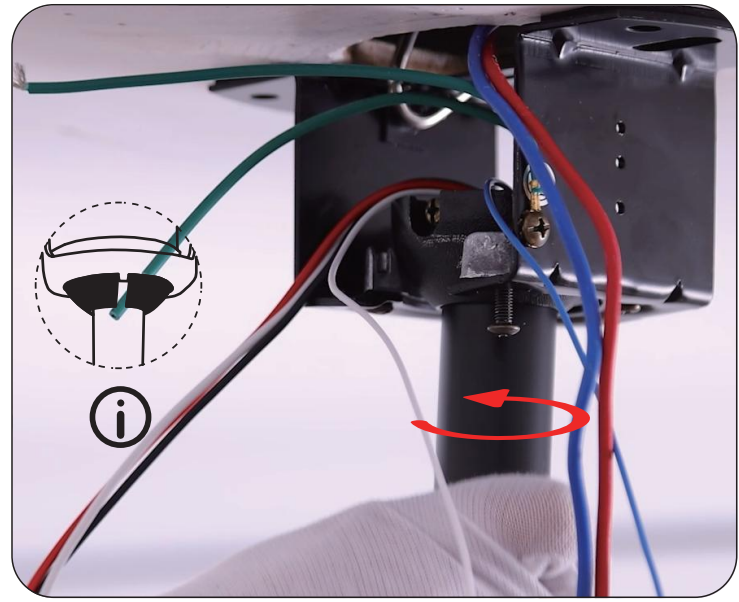
20. Tighten the screw on the other side



# 06 Installation procedure



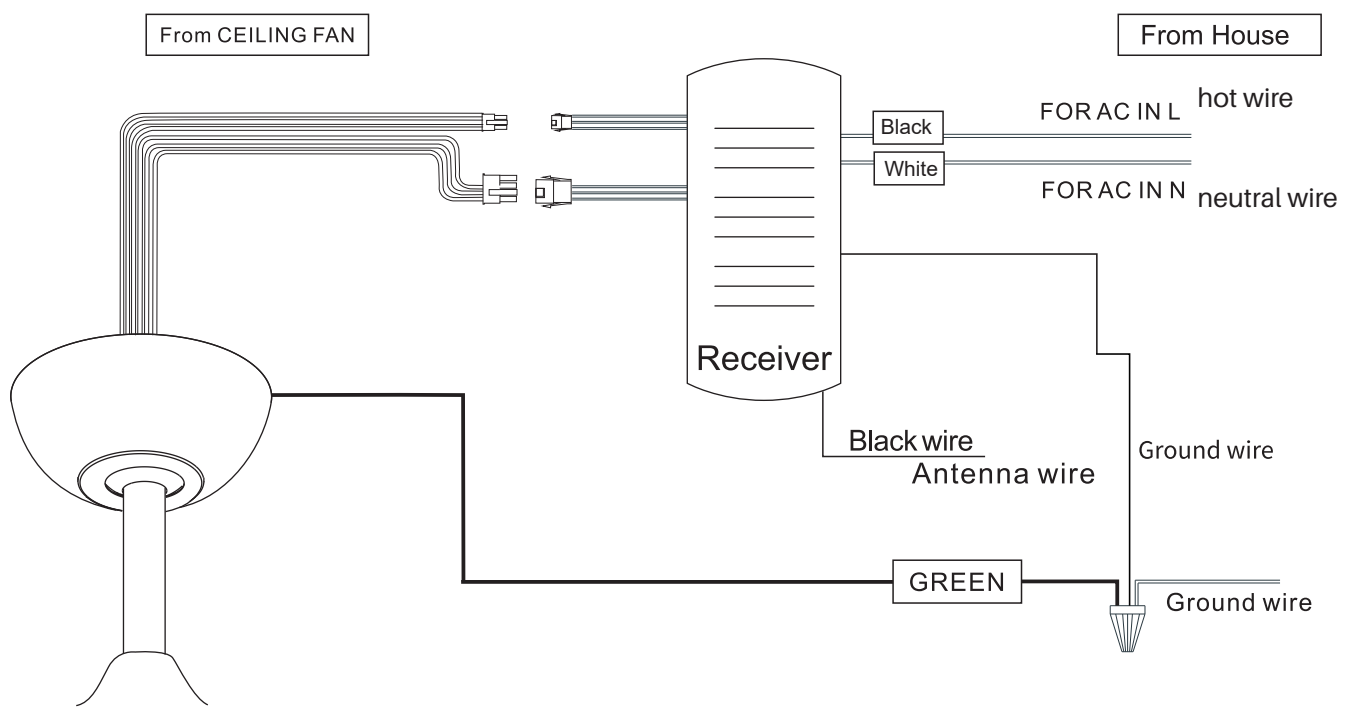
22. Install the downrod, put the rod ball to the slide-on mounting bracket (both of them have the gaps, align the gap and jam it)



**!** WARNING: Remove the rubber motor stops on the bottom of fan before installing the blades or testing the motor.

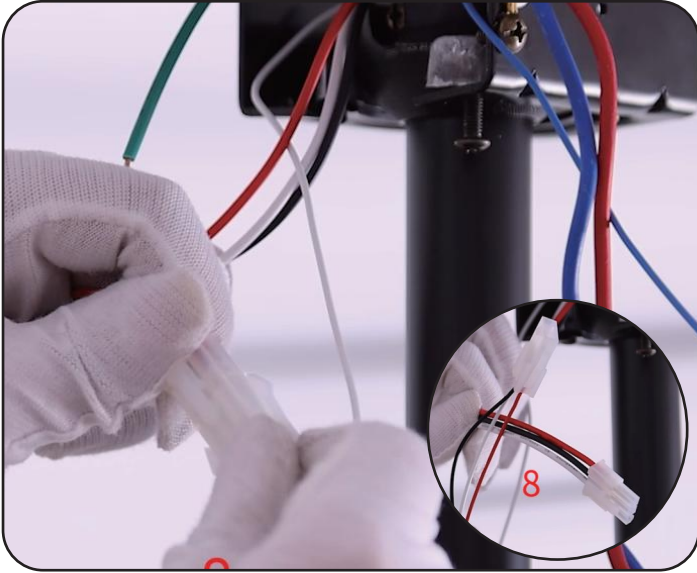
**!** WARNING: Turn off the electric power during installation and making wire connection.

1. Connect the wire which from ceiling fan into the receiver.
2. Connect the wire from receiver with the wire from house.

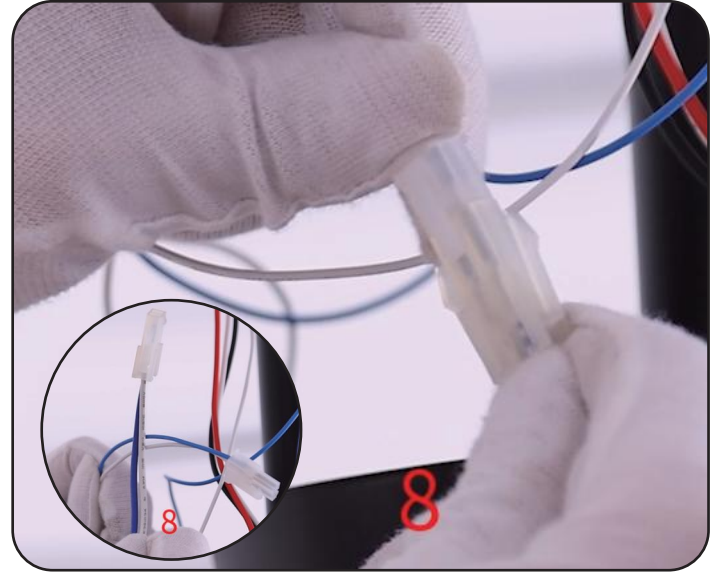


## 06 Installation procedure

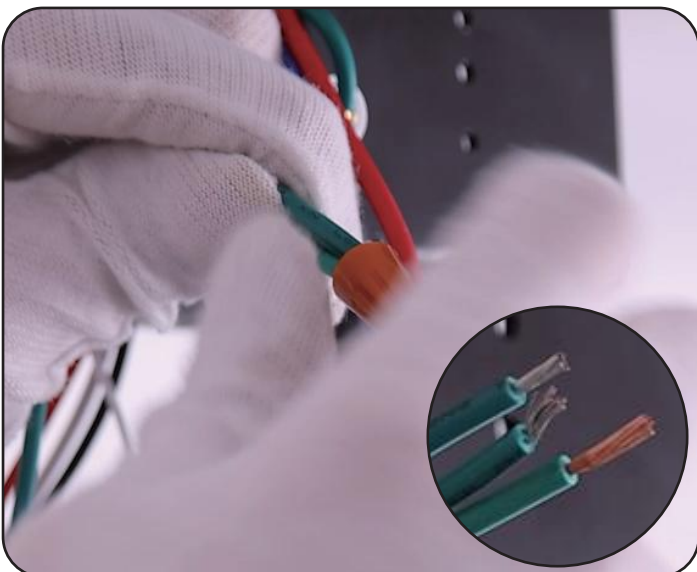
23. Connect the wire from the ceiling fan to the receiver ( Red, White, and Black wires)



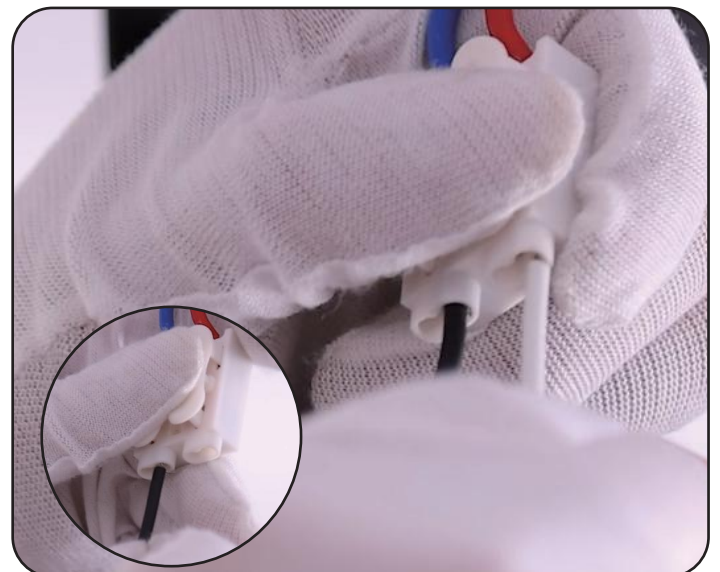
24. Connect the wire from the ceiling fan to the receiver ( White and Blue wires)



25. Use wire connecting nuts to connect the three ground wires ( green) coming from the downrod, receiver and ceiling racket

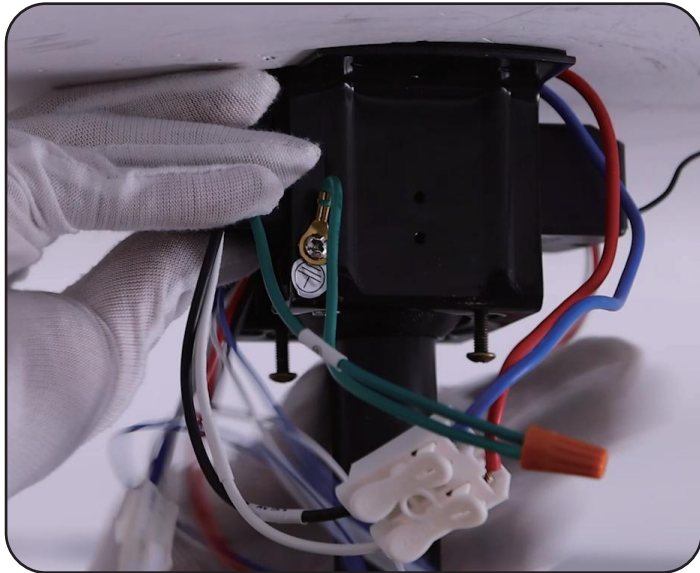


26. Connect the fan live wire (black) to your house live wire; Connect the fan neutral wire (white) to your house neutral wire

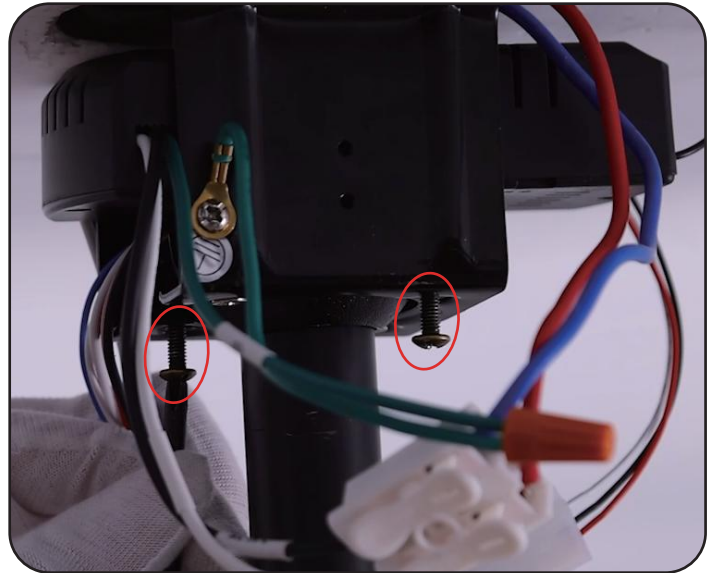


## 06 Installation procedure

27. Put the receiver into the mounting bracket



28. Loosen the screws (do not remove them)



29. Wrap keyhole slots around the screws, twist clockwise and tighten 2 screws



30. Lift the canopy cover to the canopy, then turn and tighten

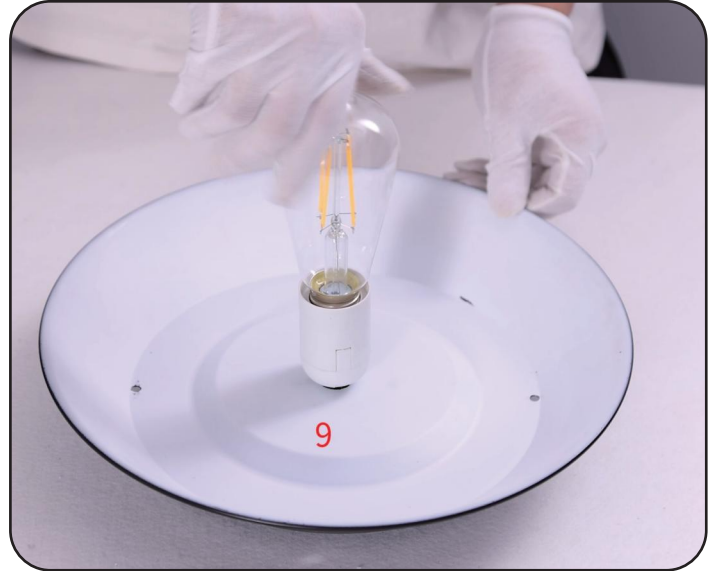


## 06 Installation procedure

31. Install the four screws on the back of the light panel, and then remove the chassis of the lamp panel.



32. Install the bulb and tighten



33. Install the glass dust cover into the iron grid



34. Align the chassis of the lamp panel with the four screw holes, install it into the iron grid frame, and tighten the four screws



## 06 Installation procedure

35. Connect the light source with the wires from the motor



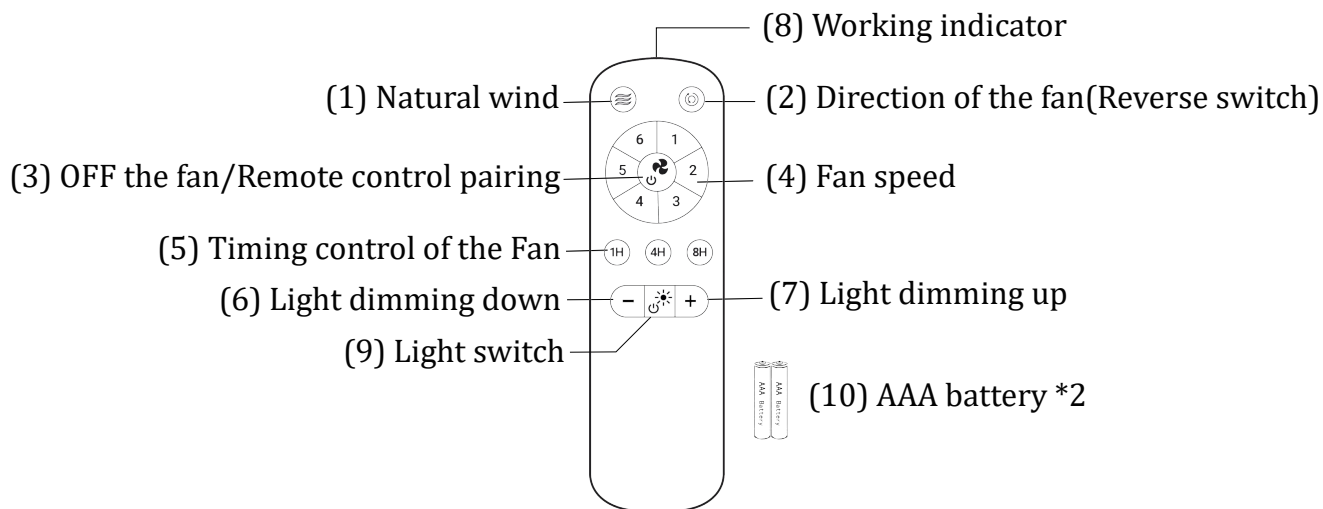
36. Align the three screw holes of the lamp panel with the motor



37. Insert three light kit screws, and then tighten them



## USER MANUAL FOR REMOTE CONTROL TRANSMITTER



### (1) Natural wind

Press the key, the fan speed automatic change between 1 to 6 speed.

### (2) Direction of the fan

Press this key to change the running direction of the fan.

### (3) OFF the fan

- Trun OFF the Fan .
- Remote control pairing: when AC power on, press and hold the key for 3-5 seconds, the finish the remote control pairing.

Notice:

The remote controller only needs to be paired once. After the paired product, the controller will have memory. The products have been paired before leaving the factory. When the remote control is damaged or lost, it is necessary to implement remote control pairing before using a new remote control.

### (4) Fan speed

Press 1-6 key to start the fan. (Maxium speed: 6)

### (5) Timing control of the Fan

- Press keys 1H / 4H / 8H to set up the timer at 1hour ,4 hours or 8 hours. At the end of the timing, the fan will be automatically turned off.
- Timer setting cancellation : When timing function is working, press any one of 1H,4H or 8H will cancel the timing function.

### (6) Light dimming down

When light is on, press and hold this key , the light gradually dimmed.

### (7) Light dimming up

When light is on, press and hold this key , the light gradually brightened.

### (8) Working indicator

The indicator light will light up when press any key of the remote control.

### (9) Light ON/OFF switch

Press this key to turn ON or turn OFF the light.

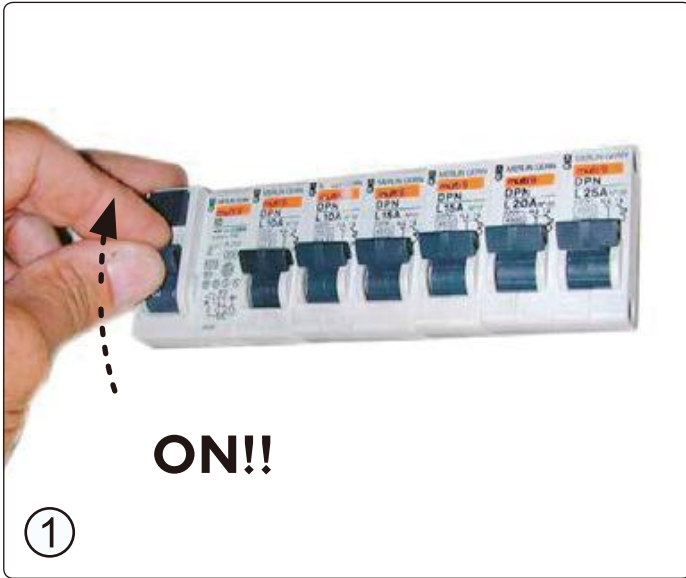
### (10) AAA battery \* 2

- Please install 2 pieces of AAA batteries before use.
- Please remove the battery when it is not used for a long time.

## 08 Match code



if it does not work

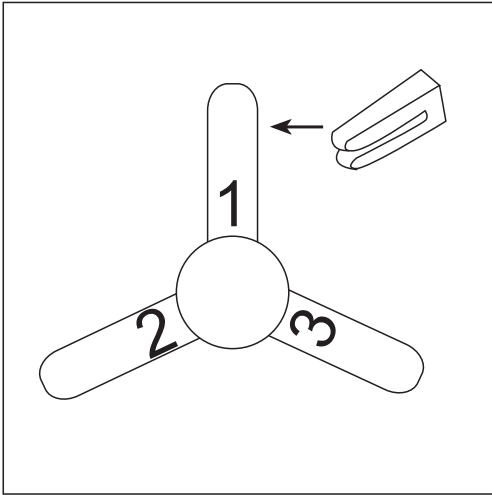


1. Turn on the main switch.

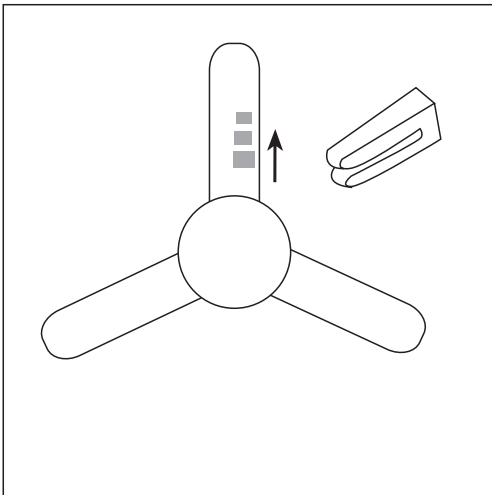


2. Pressing and holding this key for 5 seconds.

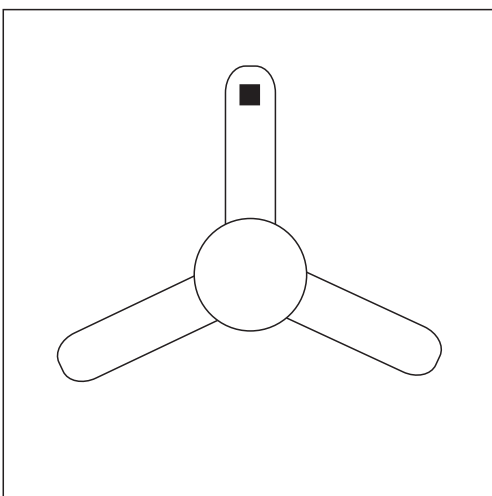
## 09 Fans Balance



Slide the balancing clip on the trailing edge of any blade, halfway between the holder and tip. Run the fan to check the wobble. If the wobble persists, repeat with each blade, noting which one most reduced the wobble.



Slide the clip in small increments away from the center of that blade. Move the clip, operate the fan, then move it again until you eliminate as much wobble as possible.



Stick the adhesive-backed balancing weight on the top center of the blade directly in line with the balancing clip. Add more weight if needed to get a smooth-running fan.

## 10 Care and Cleaning



**WARNING:** Make sure the power is off before cleaning your fan.

- Because of the fan's natural movement, some connections may become loose. Check the support connections, brackets, and blade attachments twice a year. Make sure they are secure. It is not necessary to remove the fan from the ceiling.
- Clean your fan periodically to help maintain its new appearance over the years. Do not use water when cleaning, as this could damage the motor, or the wood, or possibly cause an electrical shock. Use only a soft brush or lint-free cloth to avoid scratching the finish. The plating is sealed with a lacquer to minimize discoloration or tarnishing.
- You can apply a light coat of furniture polish to the wood for additional protection and enhanced beauty. Cover small scratches with a light application of shoe polish.
- You do not need to oil your fan. The motor has permanently-lubricated sealed ball bearings.

## 11 Trouble shooting

| Problem                 | Solution   |
|-------------------------|--|
| The fan will not start. | <ul style="list-style-type: none"> <li>□ Check the main and branch circuit fuses or breakers.</li> <li>□ Check the line wire connections to the fan and switch wire connections in the switch housing.</li> </ul>  |
| The fan is noisy.       | <ul style="list-style-type: none"> <li>□ Ensure all motor housing screws are snug.</li> <li>□ Ensure the screws that attach the fan blade bracket to the motor hub are tight.</li> <li>□ Ensure the wire nut connections are not ratting against each other or the interior wall of the switch housing.</li> <li>□ Allow a 24-hour "breaking in" period. Most noises associated with a new fan disappear during this time.</li> <li>□ If you are using the Ceiling Fan light kit, ensure the screws securing the glassware are tight. Check that the light bulbs are also secure.</li> <li>□ Ensure the canopy is a short distance from the ceiling. It should not touch the ceiling.</li> <li>□ Ensure your outlet box is secure and rubber isolator pads were used between the mounting plate and outlet box.</li> </ul> |
| The fan wobbles.        | <ul style="list-style-type: none"> <li>□ Please check and follow the instructions: Chapitre No.12 Fan balance on page 13.</li> </ul>   |

If you have any questions, please contact us. We will help you solve any problem.

**Email: [sofucor\\_service@163.com](mailto:sofucor_service@163.com)**

**Email: [sofucorceilingfan@163.com](mailto:sofucorceilingfan@163.com)**

**Website: [www.sofucorfan.com](http://www.sofucorfan.com)**



