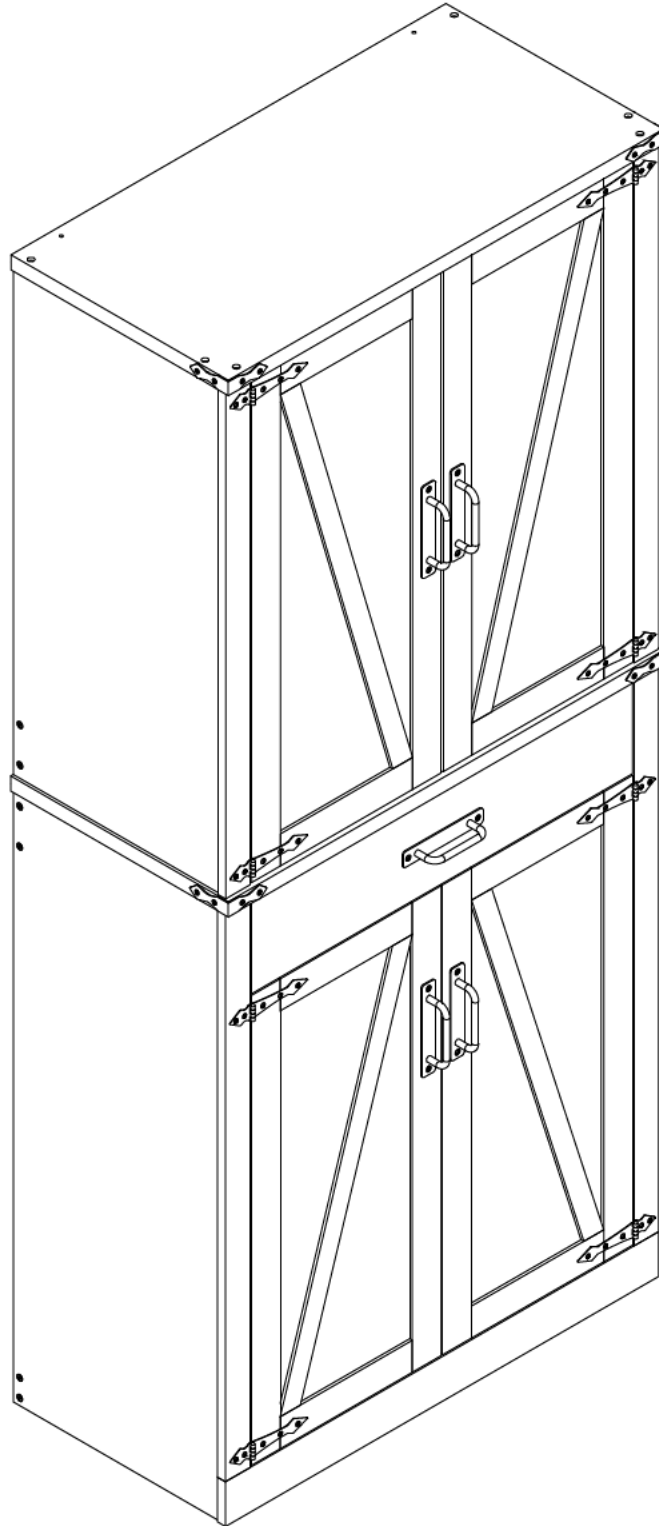
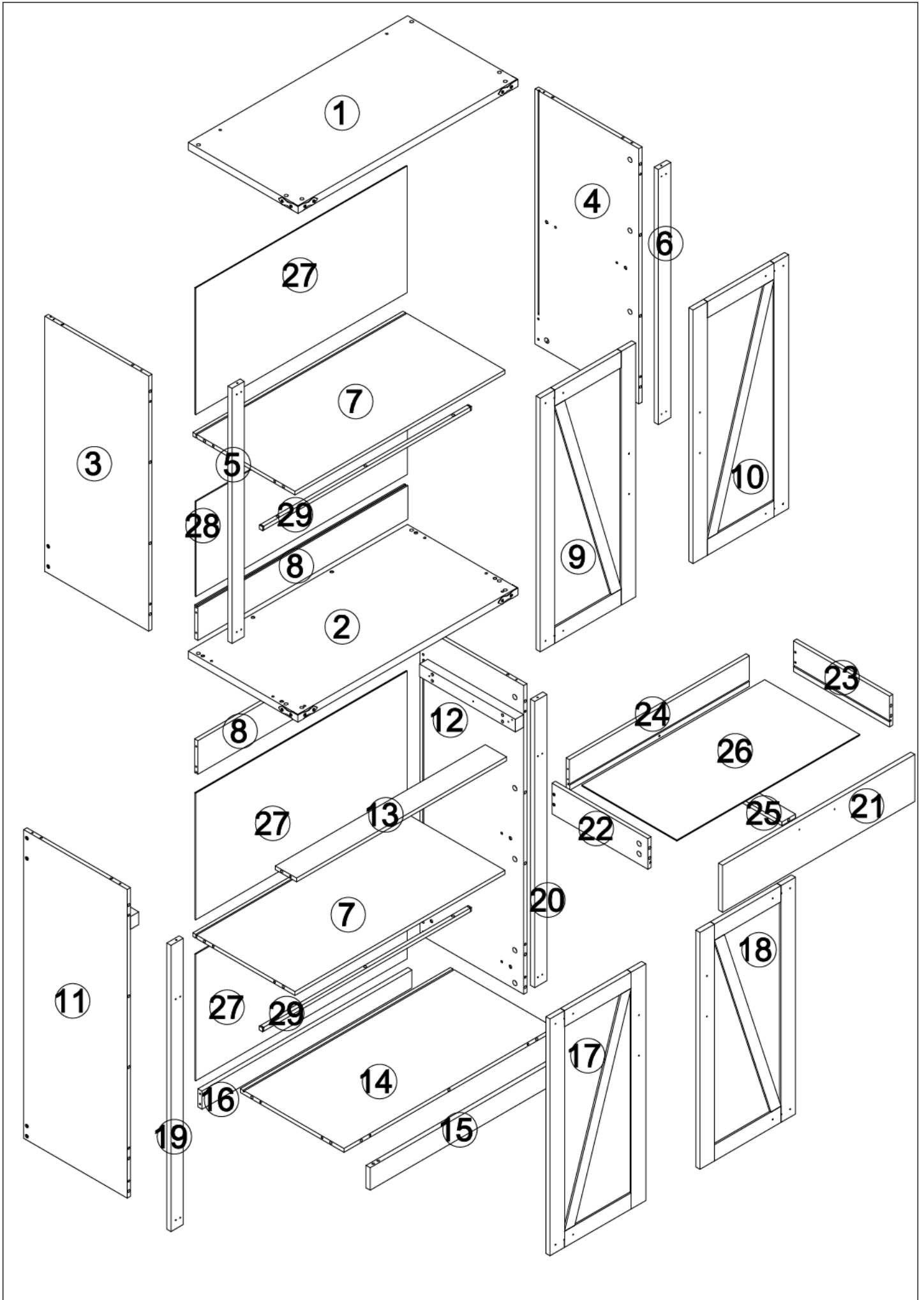
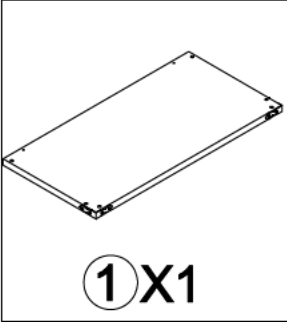
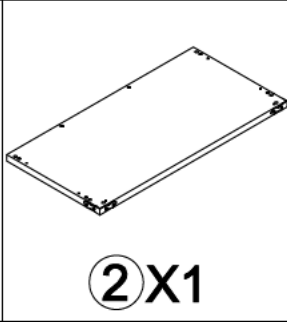
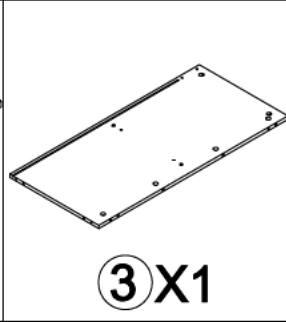
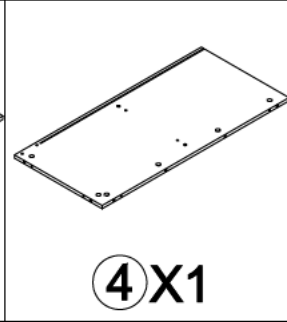
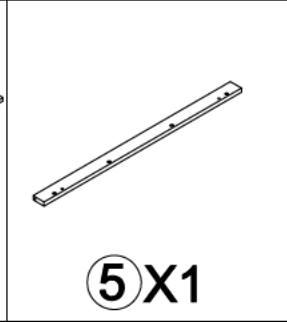
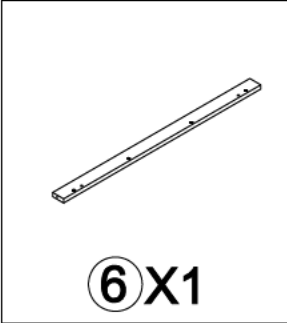
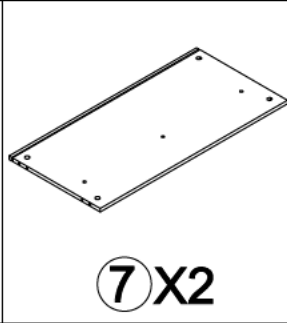
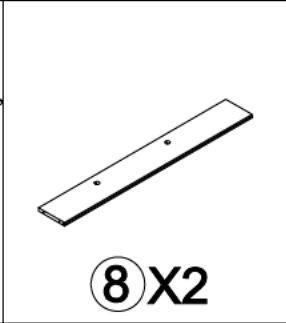
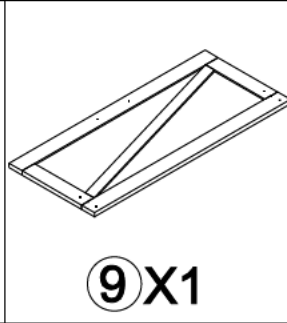
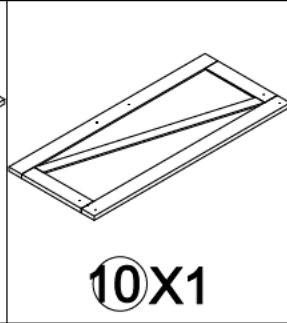
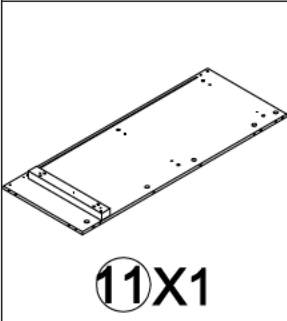
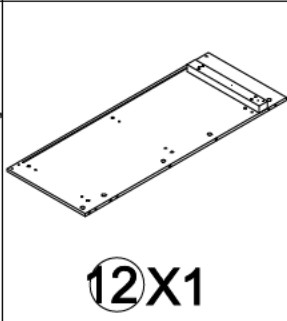
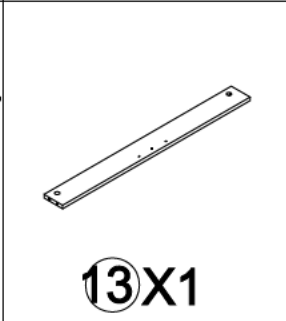
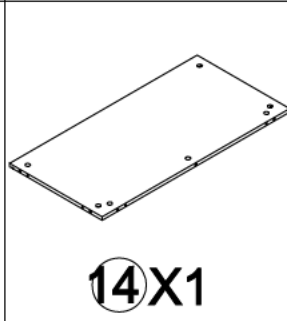
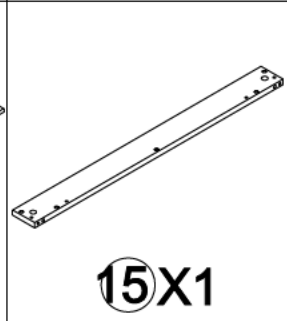
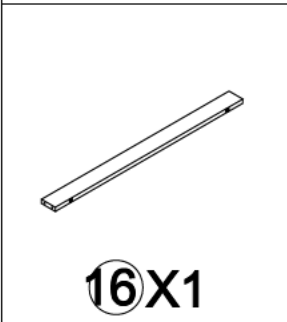
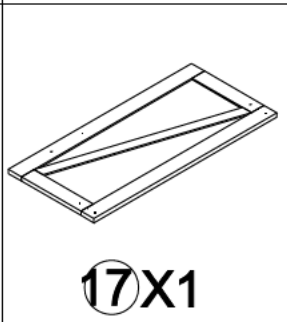
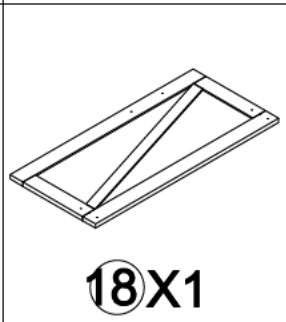
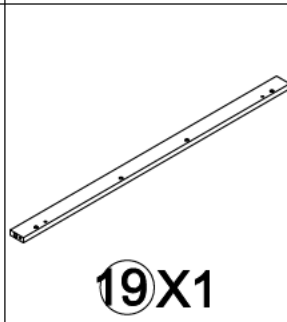
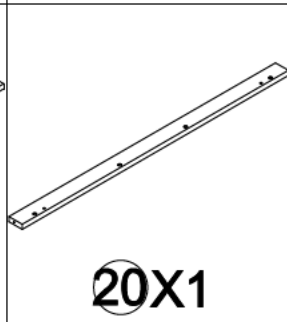
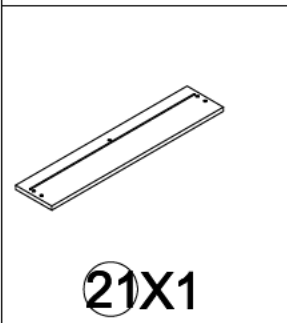
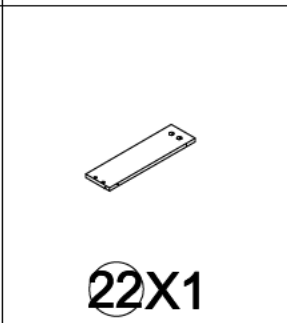
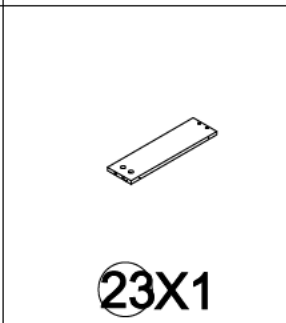
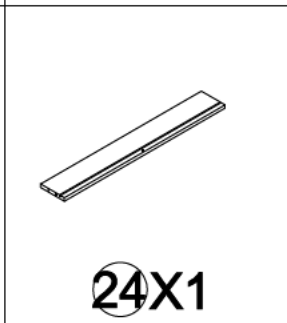
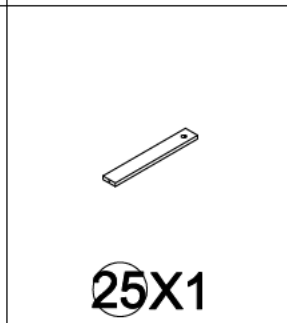
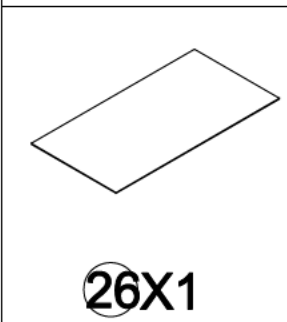
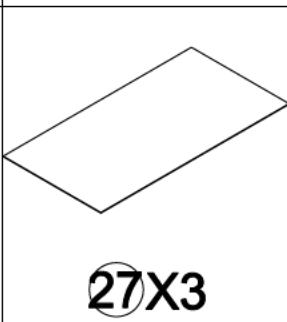
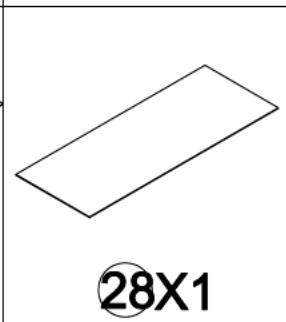
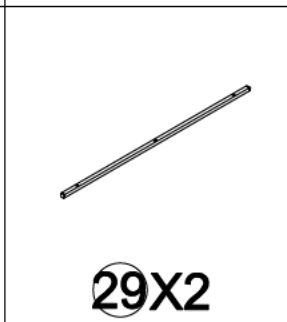


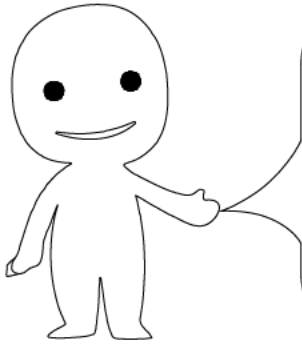
Assembly Instruction



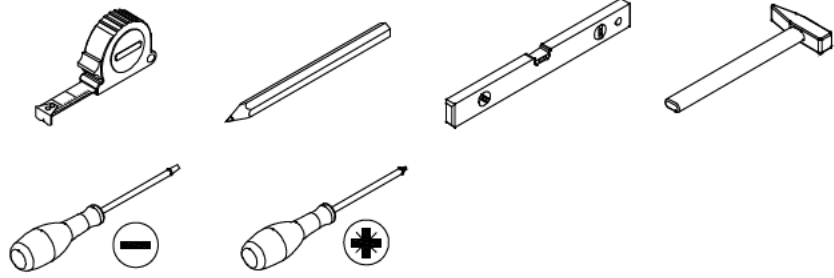


PARTS LIST

| | | | | |
|--|---|---|--|---|
|  |  |  |  |  |
| ①X1 | ②X1 | ③X1 | ④X1 | ⑤X1 |
|  |  |  |  |  |
| ⑥X1 | ⑦X2 | ⑧X2 | ⑨X1 | ⑩X1 |
|  |  |  |  |  |
| ⑪X1 | ⑫X1 | ⑬X1 | ⑭X1 | ⑮X1 |
|  |  |  |  |  |
| ⑯X1 | ⑰X1 | ⑱X1 | ⑲X1 | ⑳X1 |
|  |  |  |  |  |
| ㉑X1 | ㉒X1 | ㉓X1 | ㉔X1 | ㉕X1 |
|  |  |  |  | |
| ㉖X1 | ㉗X3 | ㉘X1 | ㉙X2 | |

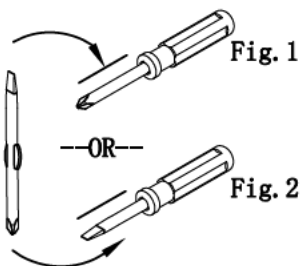


Please prepare the following tools

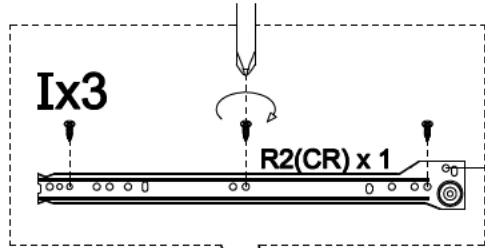
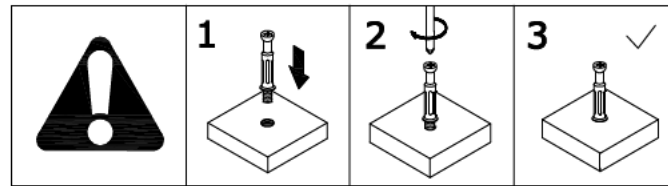
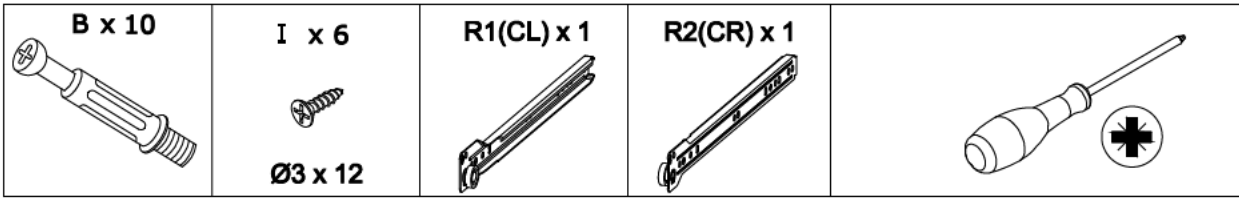


When installing, please carefully confirm whether each screw corresponds to the manual, accessories with similar shapes can be distinguished by size

| | | | |
|--|---|---|--|
| <p>A x 50+2</p> <p>Ø15 x 9.5 mm</p> | <p>B x 50+2</p> | <p>C x 60+2</p> | <p>D x 42+2</p> <p>Ø6 x 30 mm</p> |
| <p>E x 24+2</p> <p>Ø5 x 44 mm</p> | <p>F x 8</p> | <p>G x 52+2</p> <p>Ø3.5 x 12</p> | <p>H x 5</p> |
| <p>I x 18+2</p> <p>Ø3 x 12</p> | <p>J</p> <p>J 1x2 J 2x4</p> | <p>K x 24+2</p> | <p>L x 30+2</p> <p>Ø3 x 16</p> |
| <p>M x 6+1</p> <p>Ø6 x 20</p> | <p>N</p> <p>N1 x 2 N3 x 2 N2 x 2</p> | <p>O</p> | <p>P x 5+1</p> <p>Ø4 x 30</p> |
| <p>Q x 4</p> | <p>R</p> <p>R1(CL) x 1 R1(DL) x 1 R2(DR) x 1 R2(CR) x 1</p> <p>14Inch/350mm</p> | | |

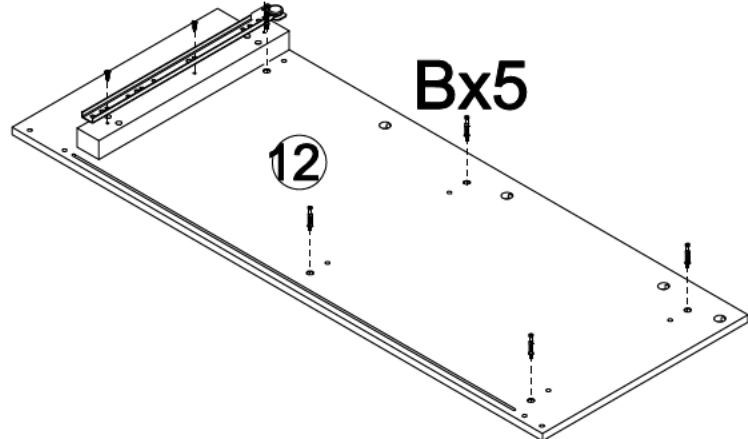


2



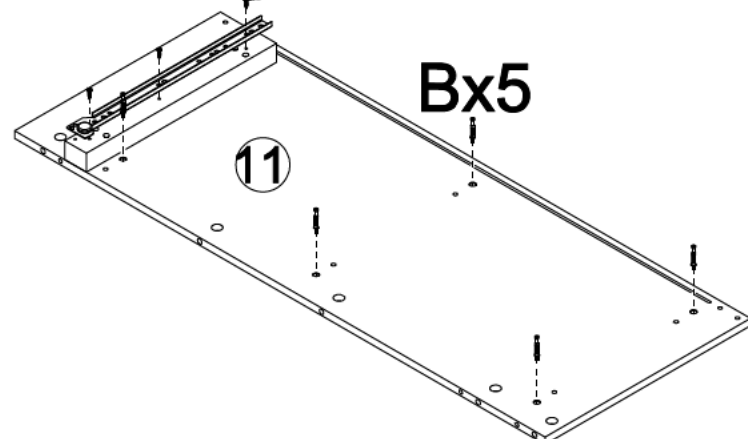
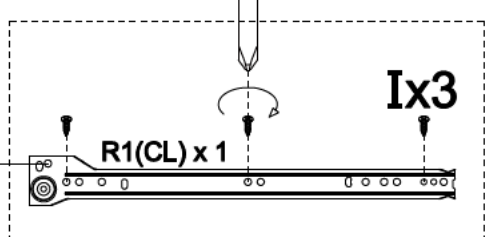
Attention

Positioning holes for assembling the slide rail

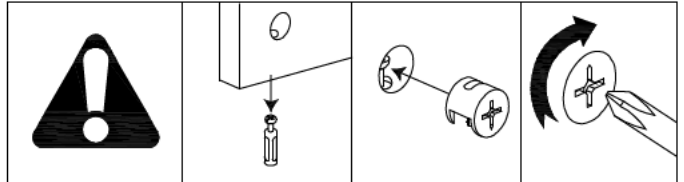
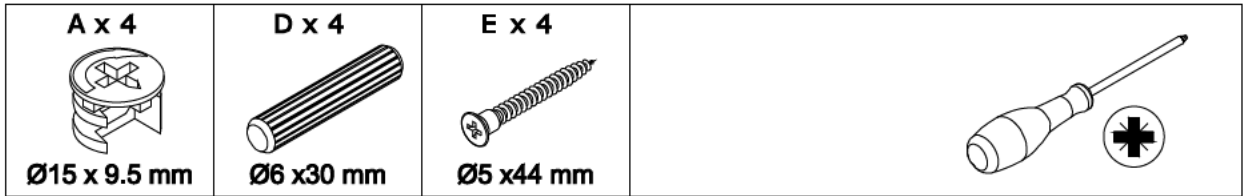


Attention

Positioning holes for assembling the slide rail

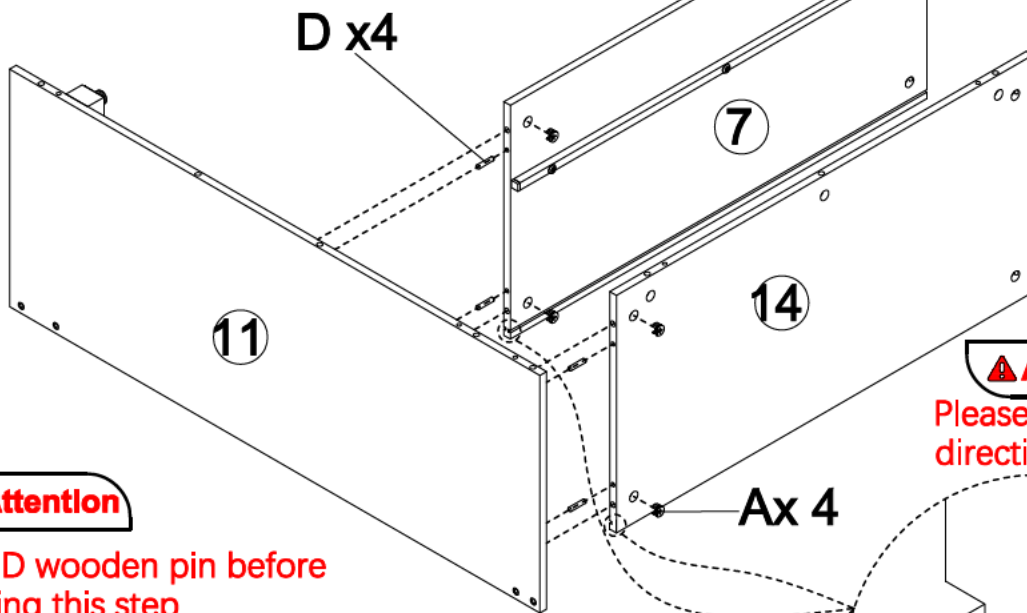
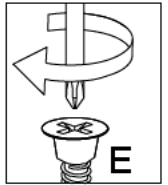


3



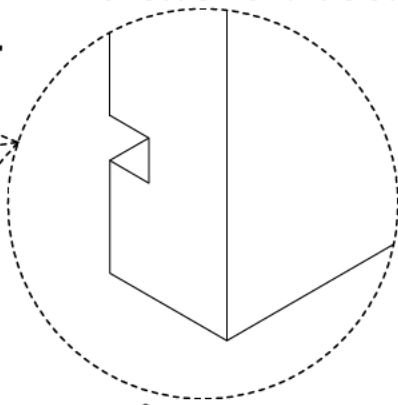
Attention

First, install boards 7 and 14 on board 11, and then install boards 8 and 16



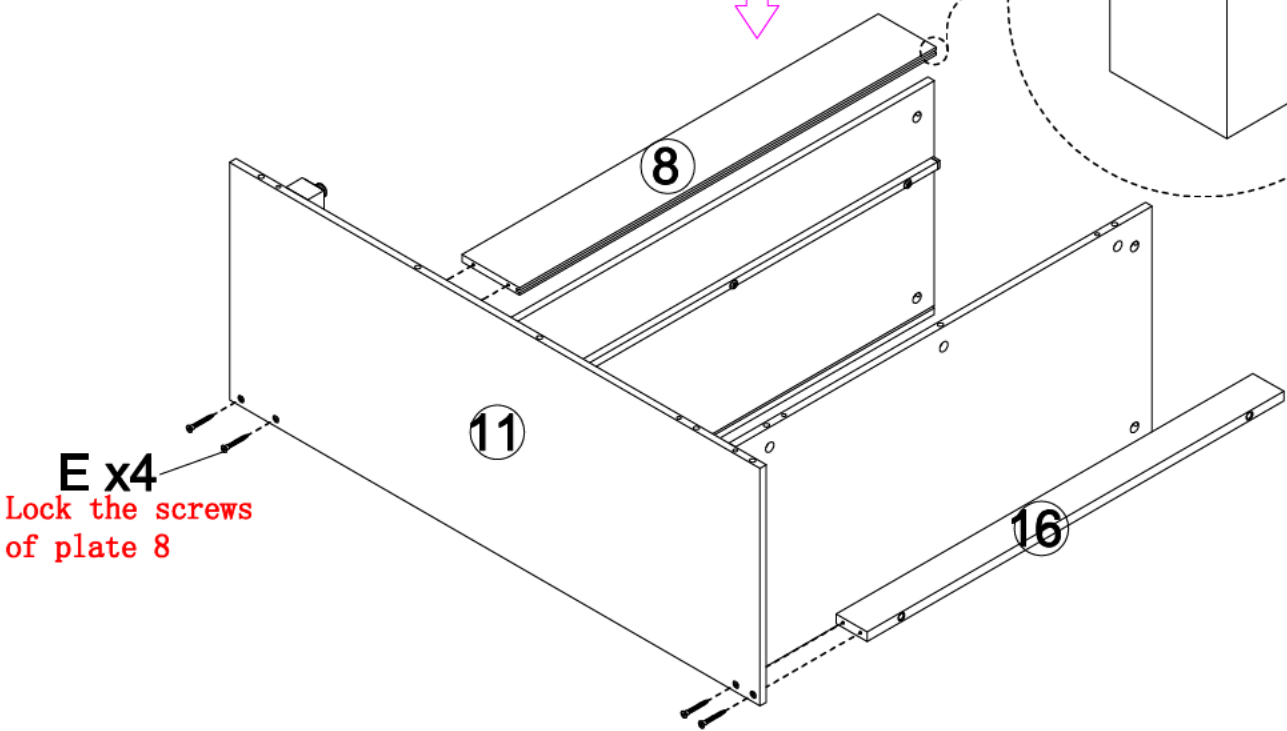
Attention

Please note the direction of the slot



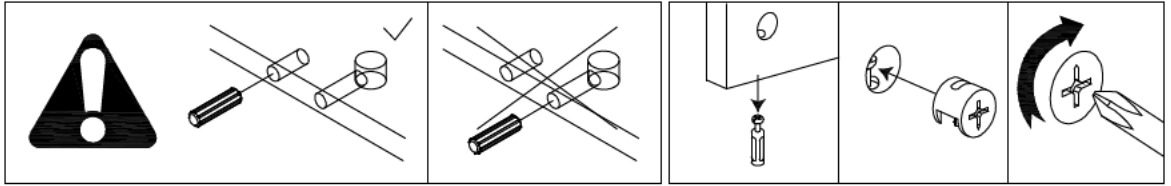
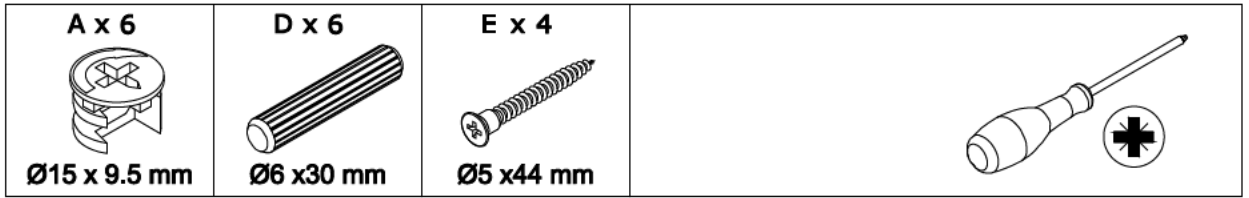
Attention

Insert D wooden pin before installing this step



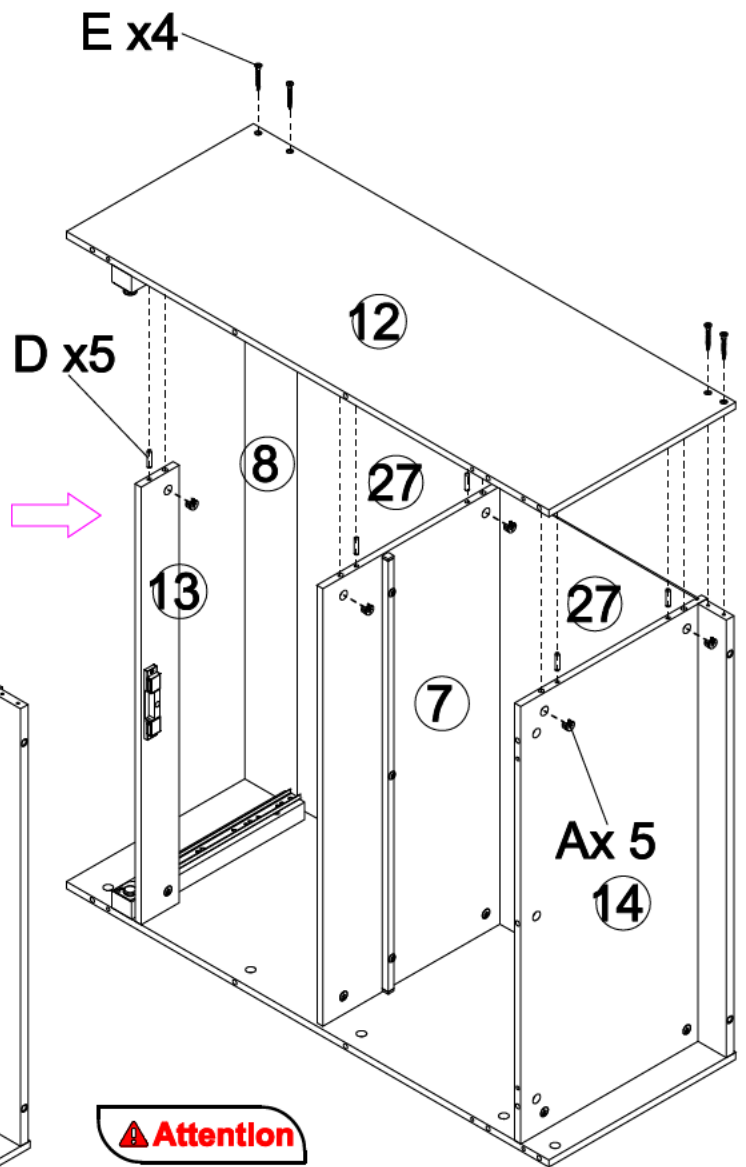
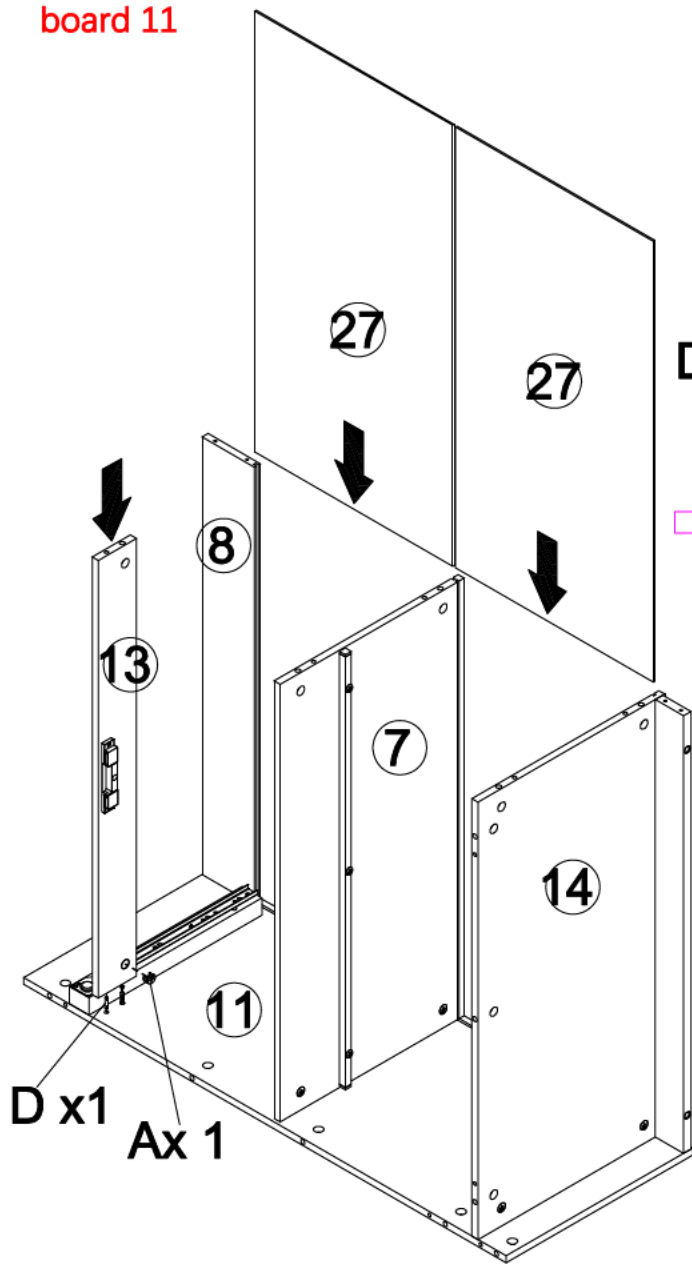
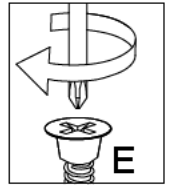
Lock the screws of plate 8

4



Attention

Install boards 13 and 27 in this step, Insert board 27 to the bottom and pay attention to the slot of board 11


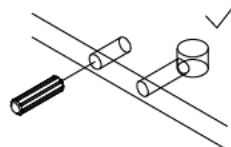
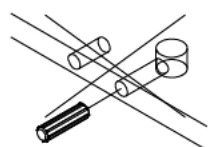
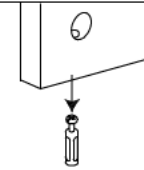
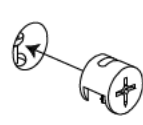
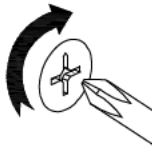


Attention

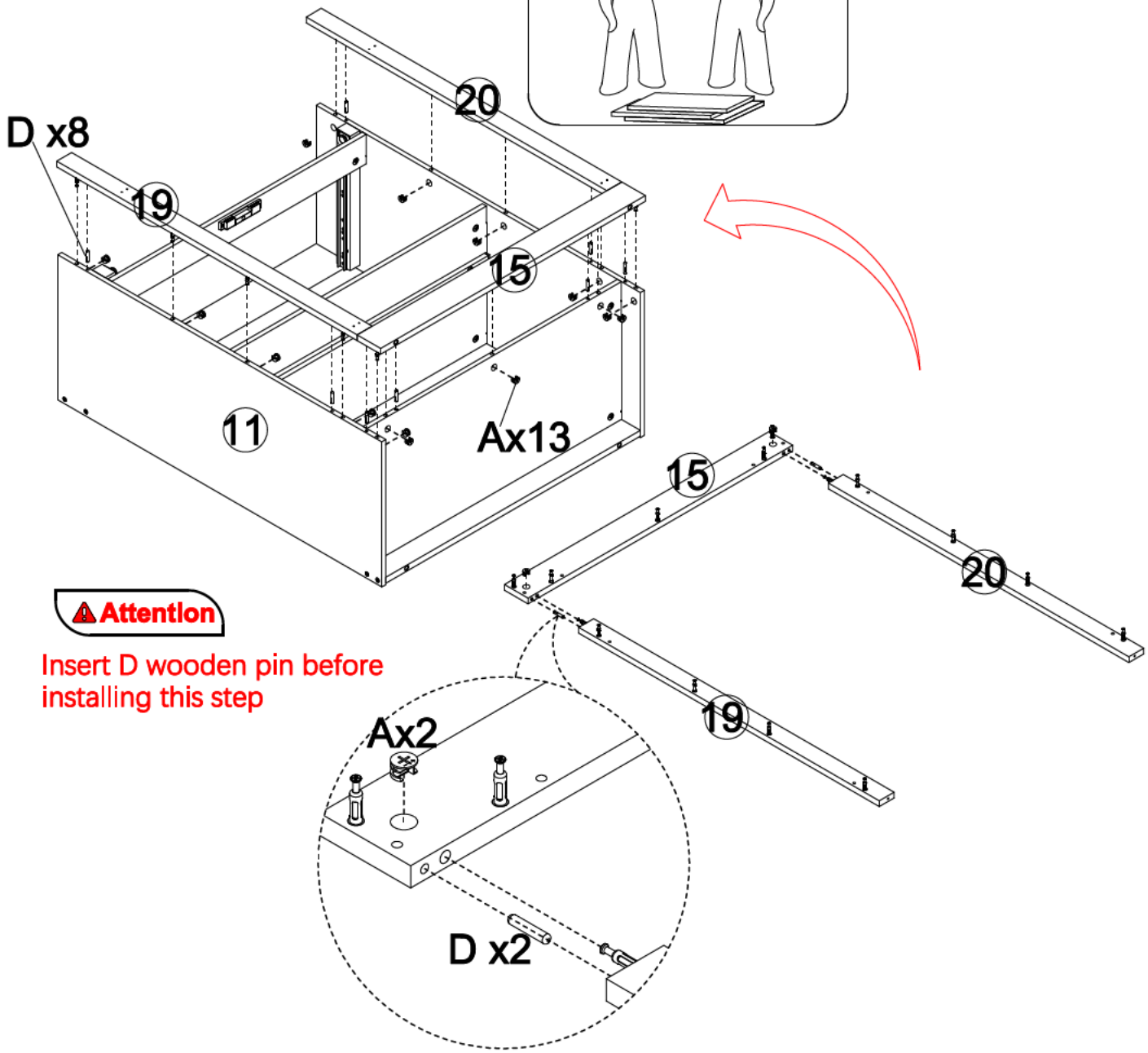
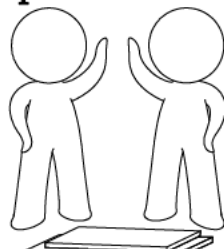
Insert D wooden pin before installing this step, Ensure that the No. 27 board is inserted into the slot of the No. 12 board, and then lock the hardware

5

| | | |
|--|--|--|
| A x 15  Ø15 x 9.5 mm | D x 10  Ø6 x 30 mm |   |
|--|--|--|

| | | | | | |
|---|---|---|---|---|---|
|  |  |  |  |  |  |
|---|---|---|---|---|---|

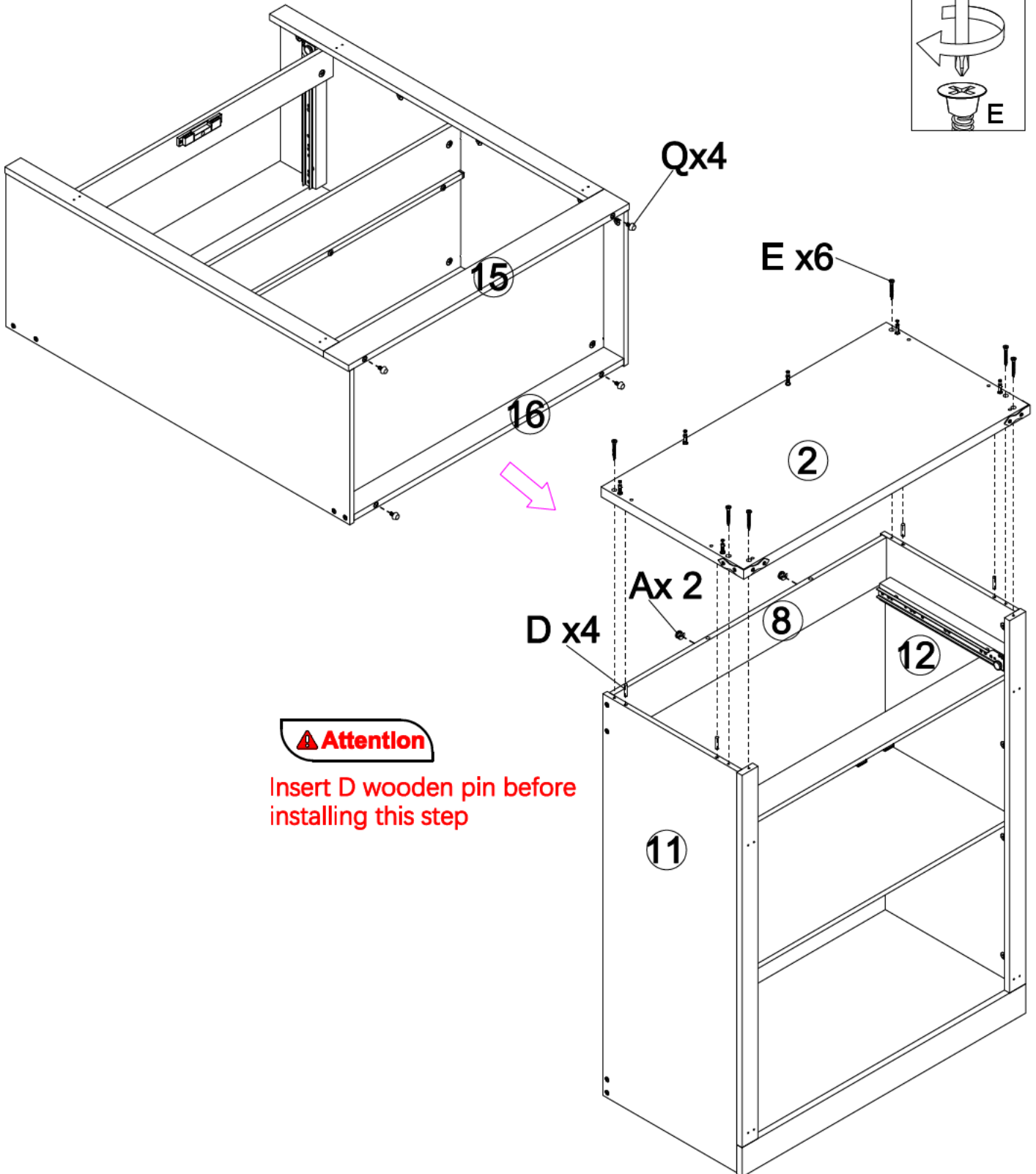
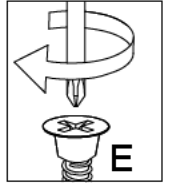
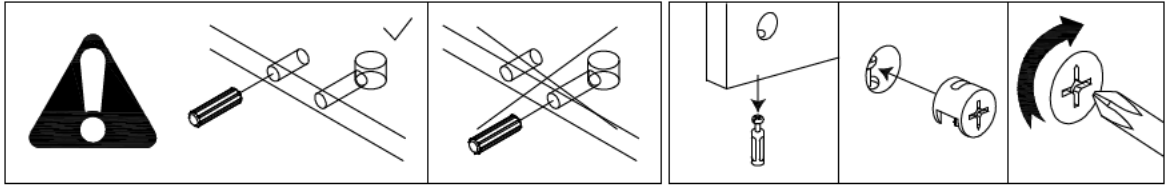
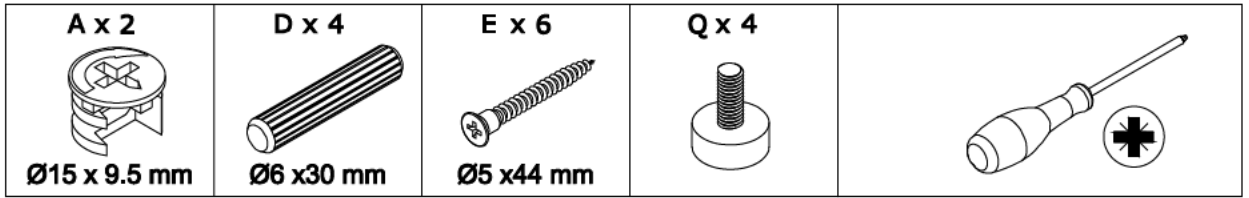
Recommend two adults to complete.



Attention

Insert D wooden pin before installing this step

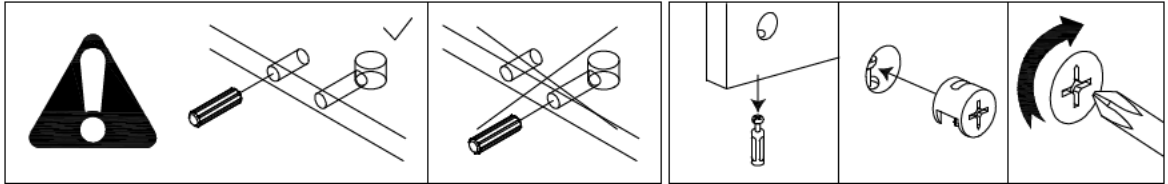
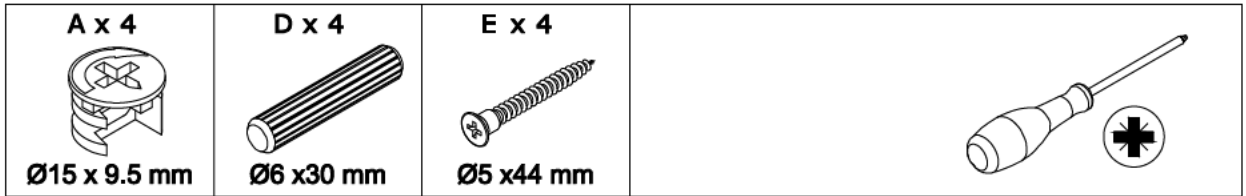
6



Attention

Insert D wooden pin before installing this step

7

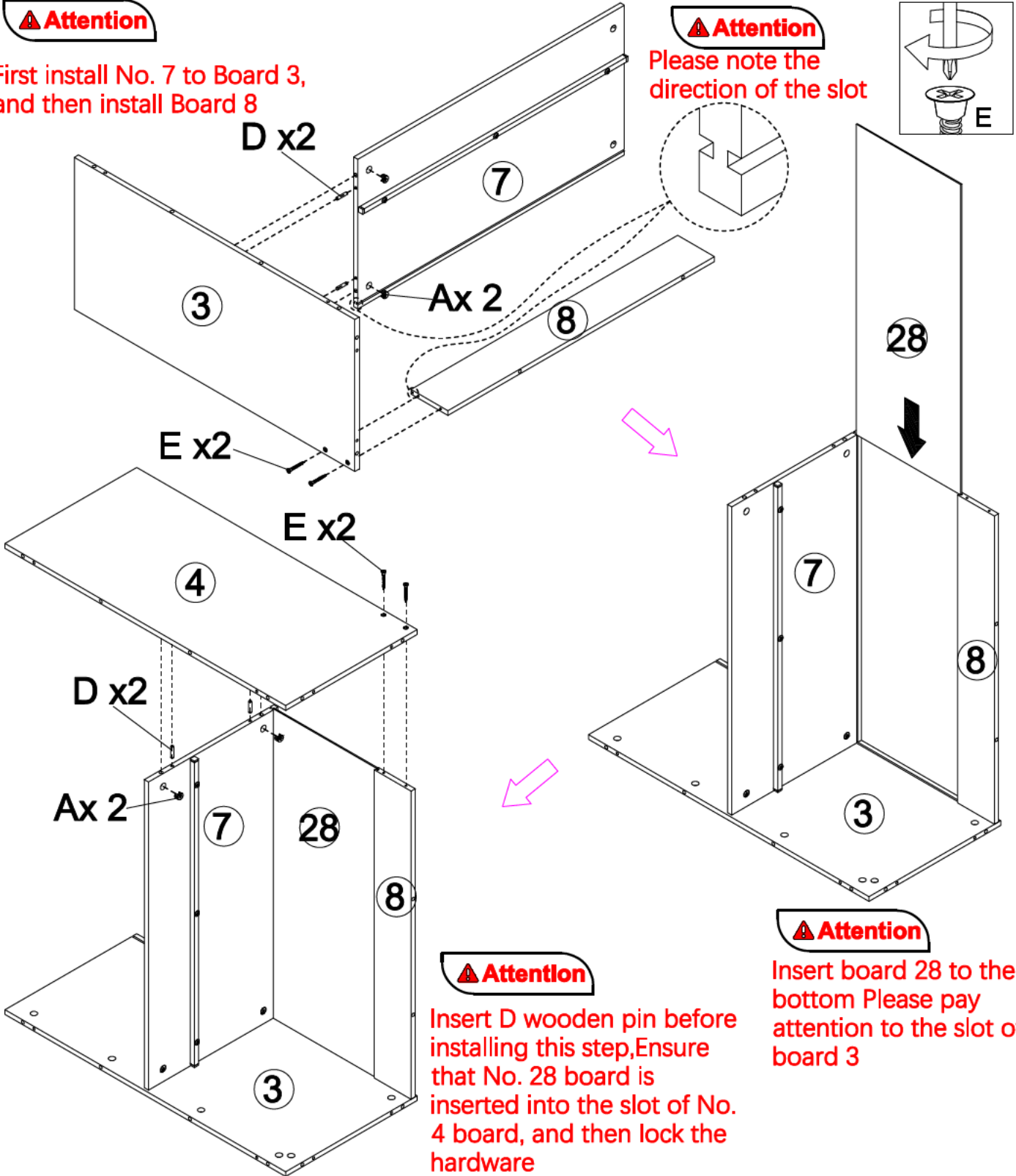
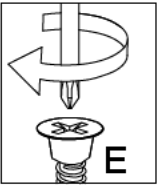


Attention

First install No. 7 to Board 3, and then install Board 8

Attention

Please note the direction of the slot



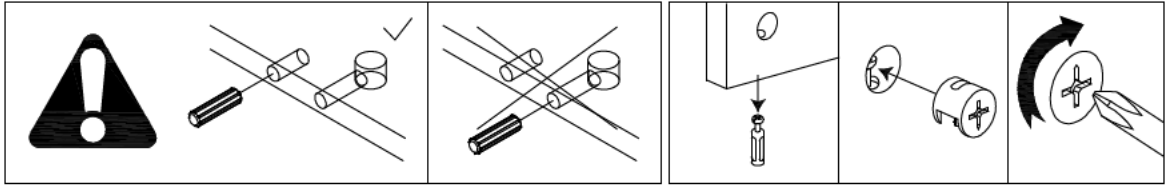
Attention

Insert D wooden pin before installing this step, Ensure that No. 28 board is inserted into the slot of No. 4 board, and then lock the hardware

Attention

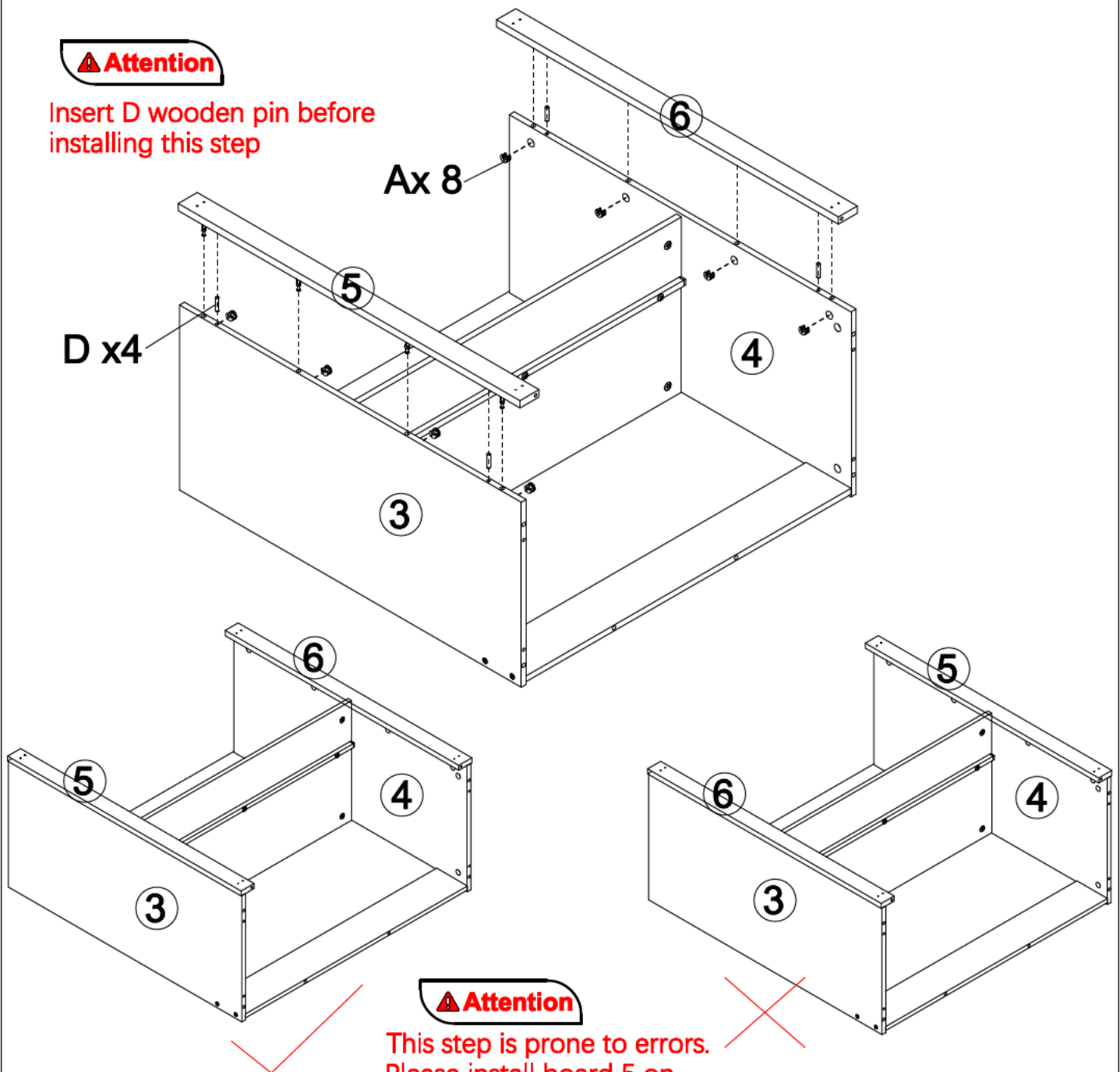
Insert board 28 to the bottom Please pay attention to the slot of board 3

8



Attention

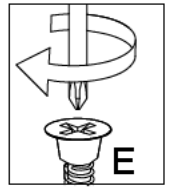
Insert D wooden pin before installing this step



Attention

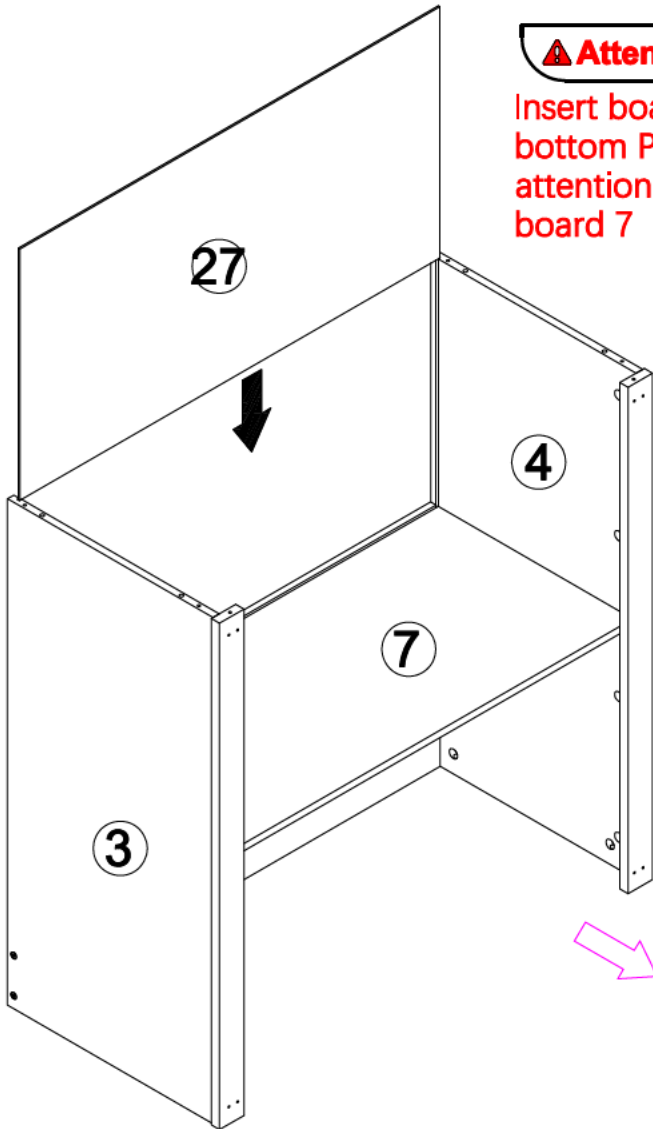
This step is prone to errors. Please install board 5 on board 3 and board 6 on board 4.

9



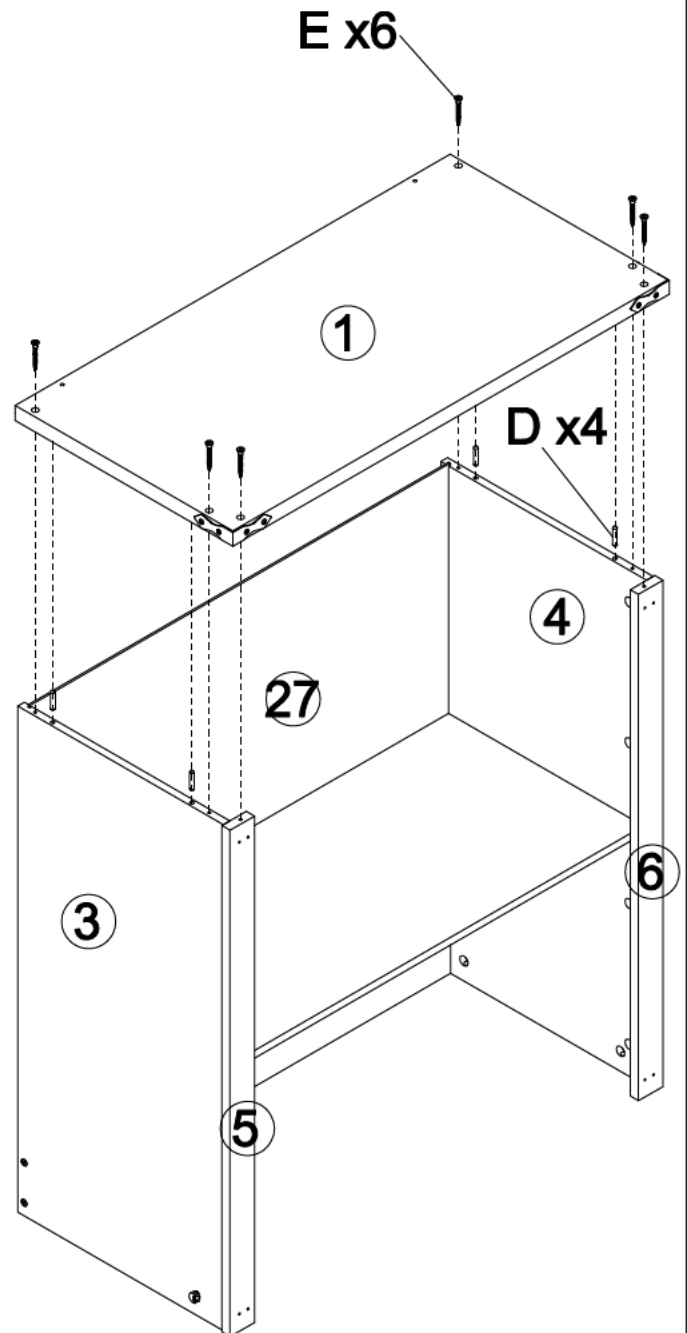
Attention

Insert board 27 to the bottom Please pay attention to the slot of board 7

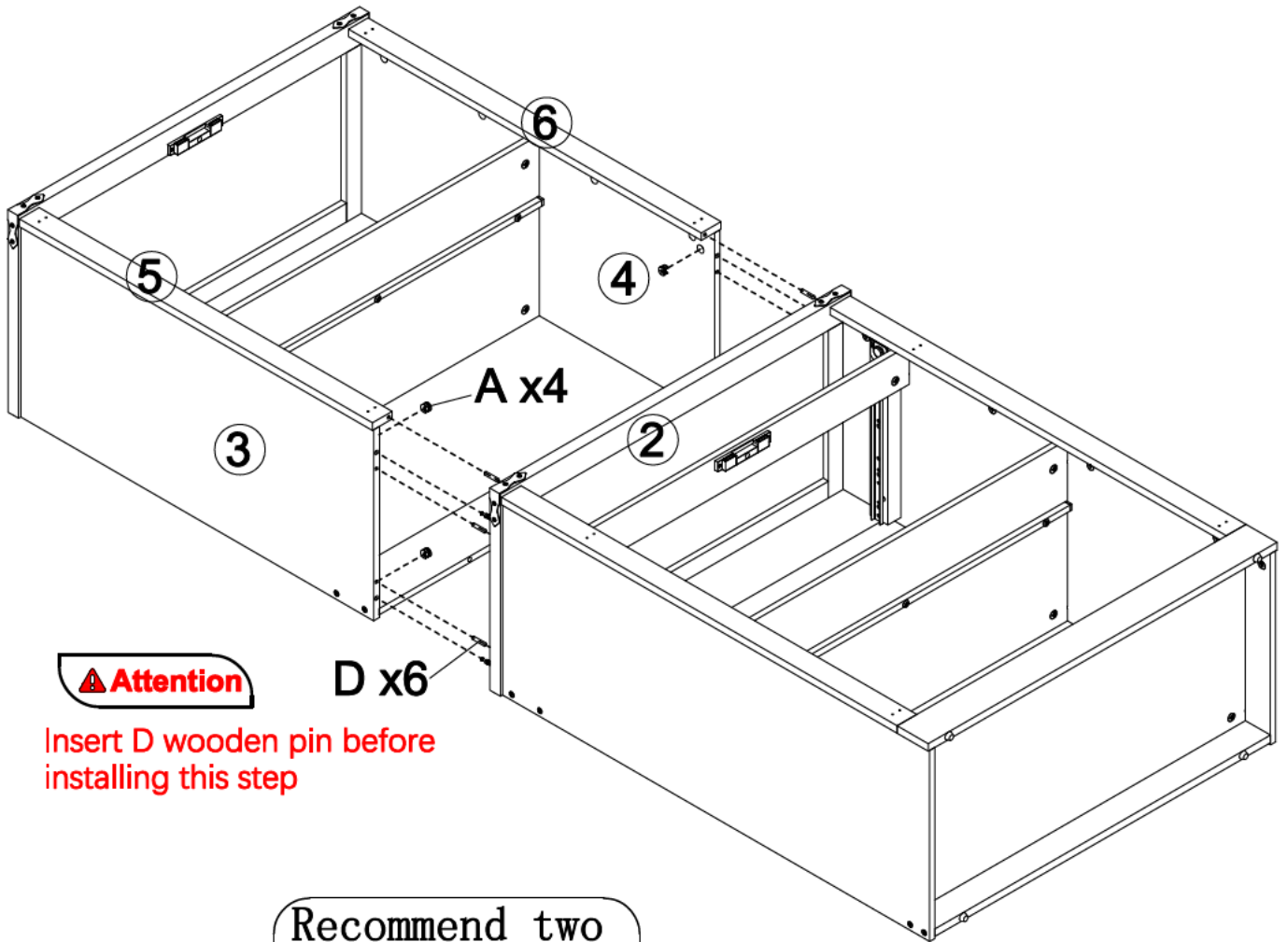
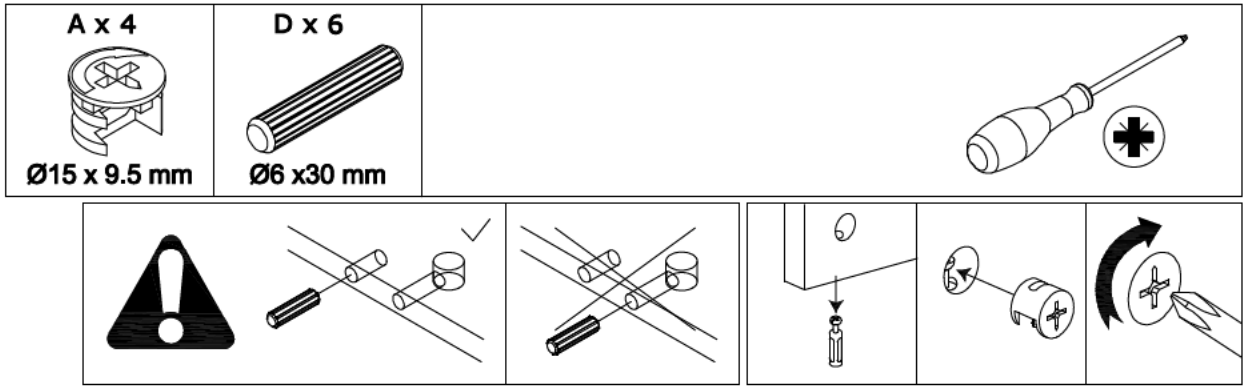


Attention

Insert D wooden pin before installing this step, After placing the No. 27 plate into the slot of the No. 1 plate, lock the hardware

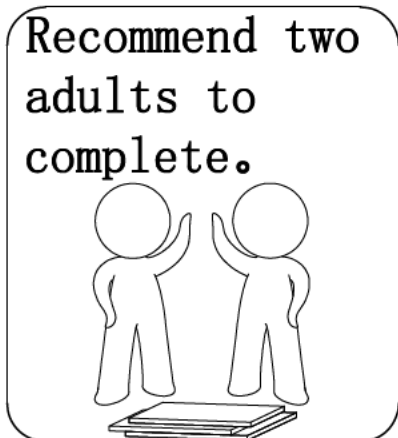


10

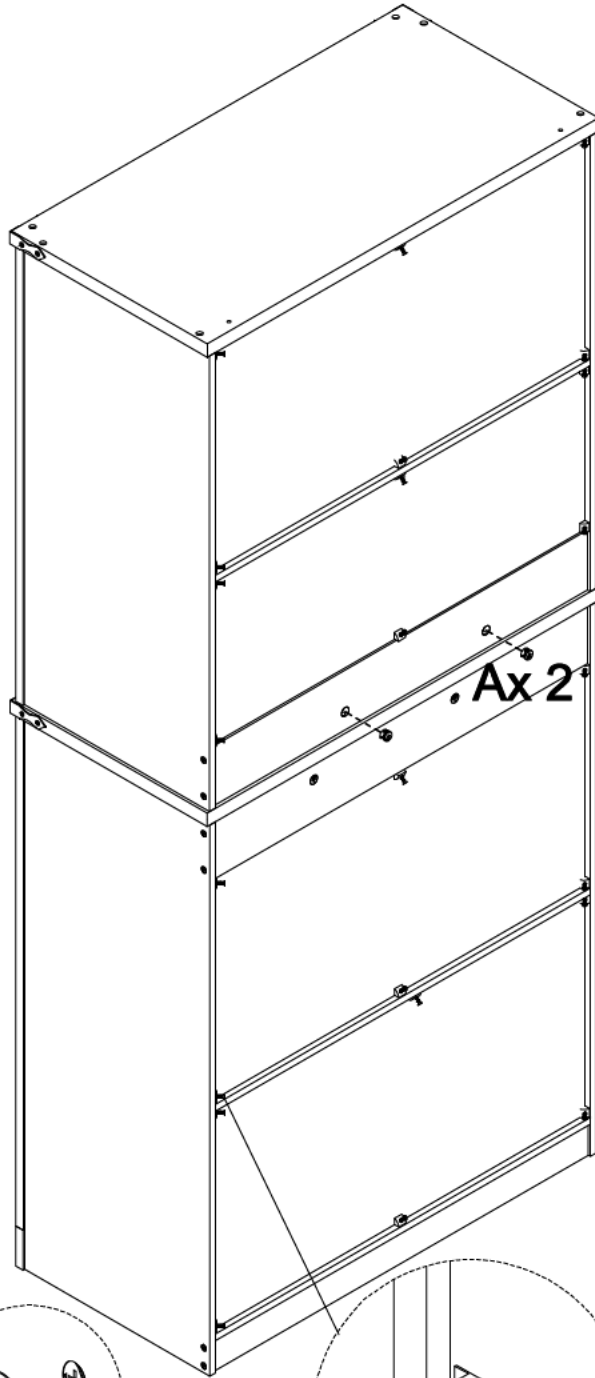
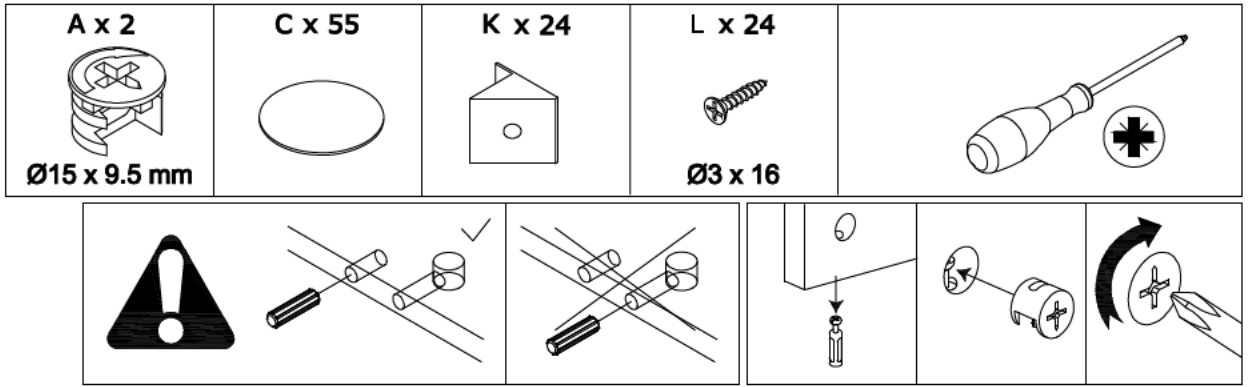


Attention

Insert D wooden pin before installing this step

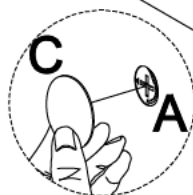
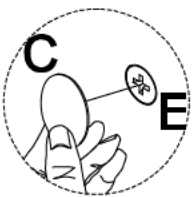


11

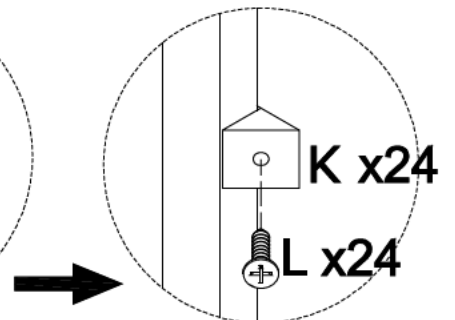
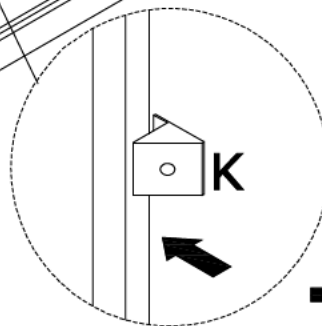


Attention

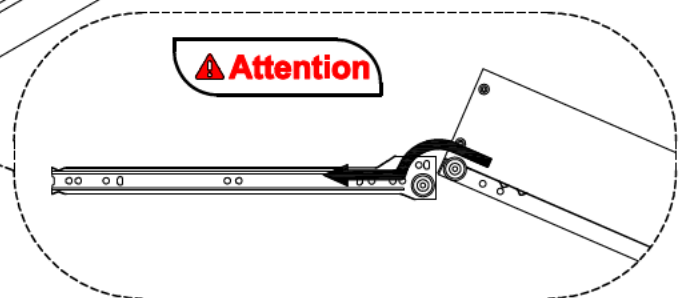
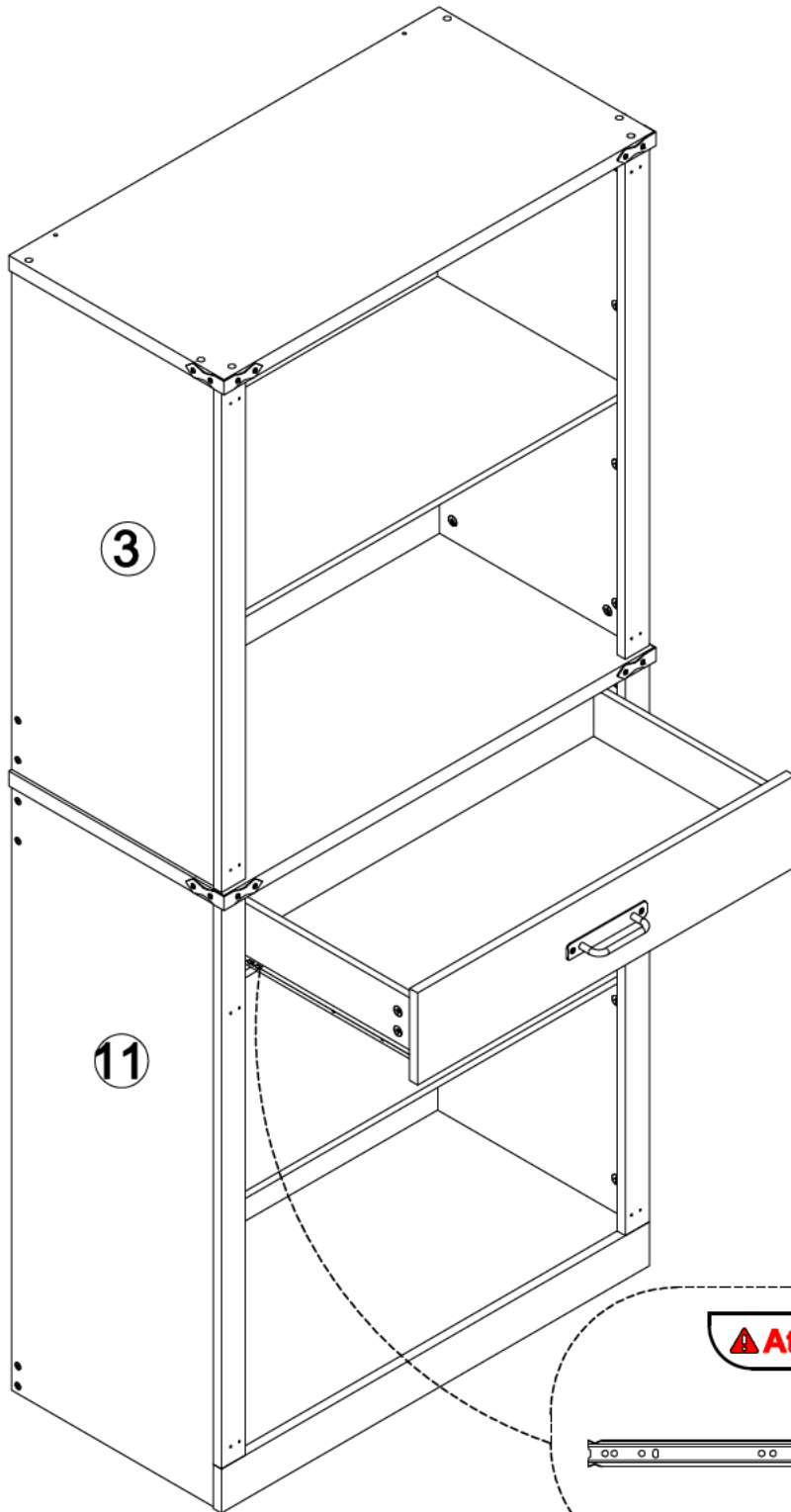
Please install the hardware K according to the drawing, if the installation is less, the cabinet will shake



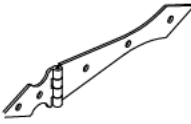




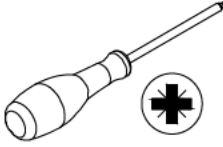
Tighten the three in one and apply the sticker (C) to the hole.

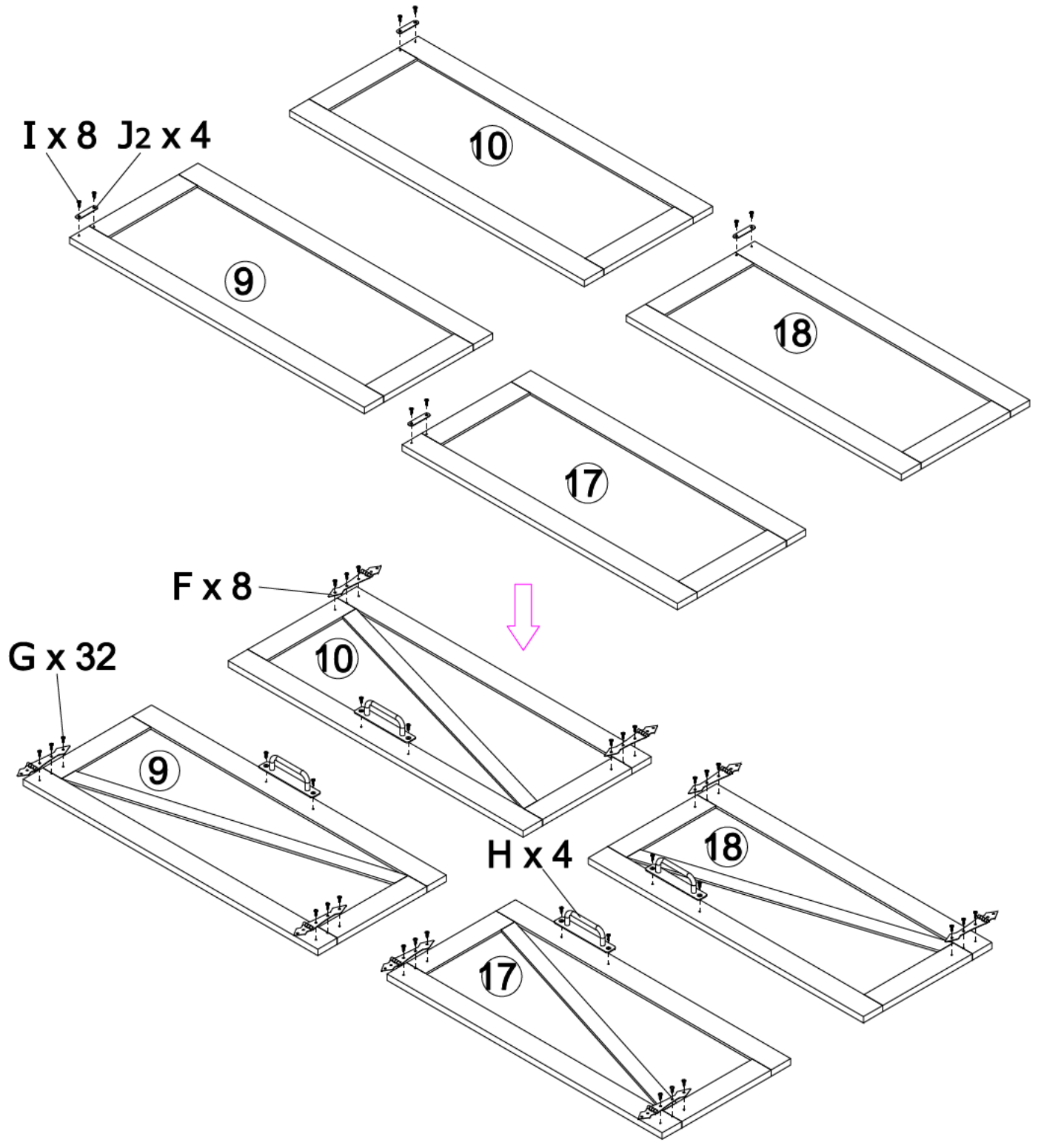


13



14

| | | | | | |
|---|---|---|--|---|---|
| F x 8  | G x 32  Ø3.5 x 12 | H x 4  | I x 8  Ø3 x 12 | J x 4  J2 |  |
|---|---|---|--|---|---|

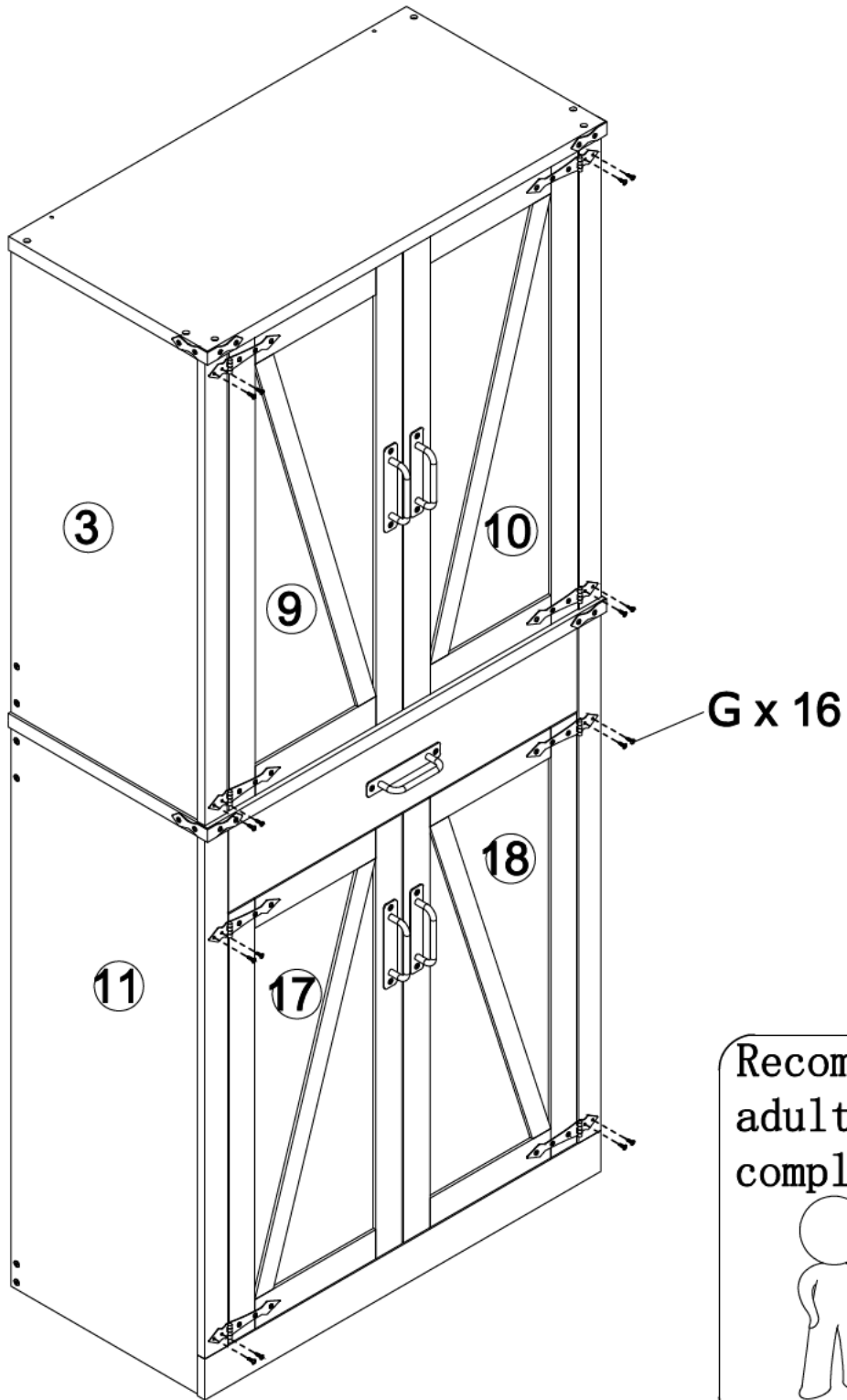
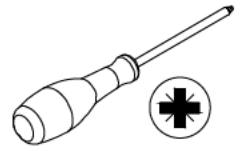


15

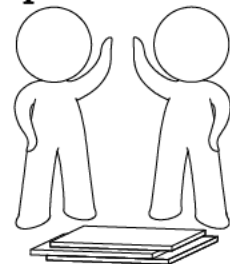
G x 16





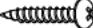
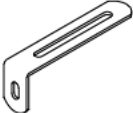
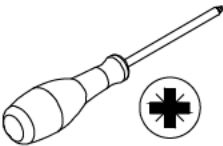
Ø3.5 x 12

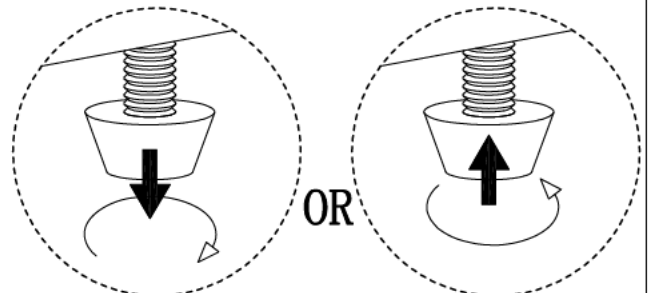
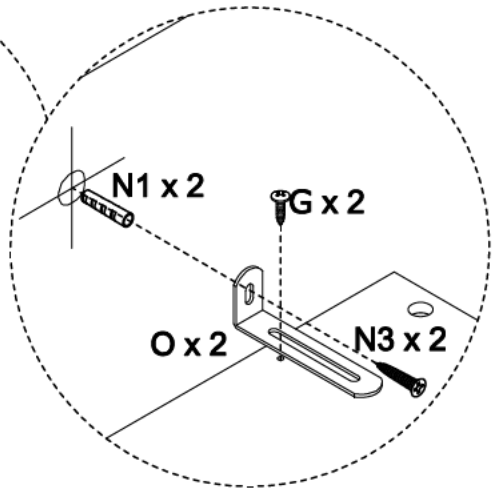
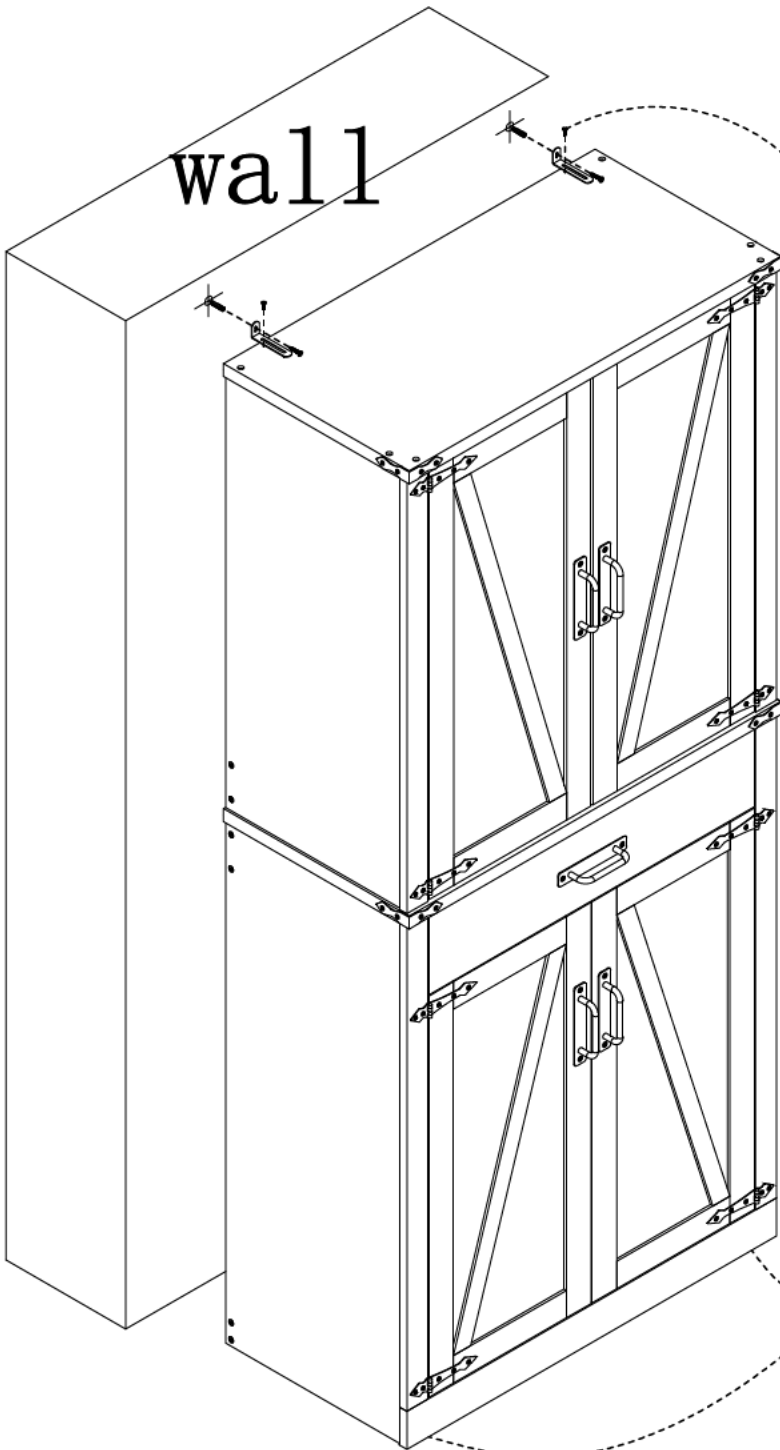
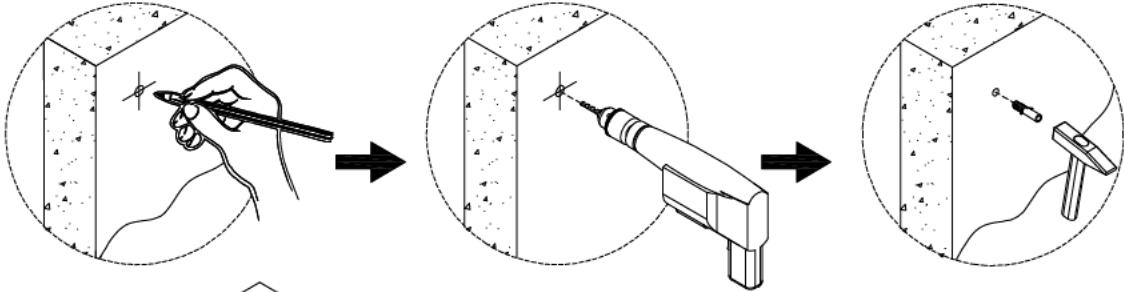


Recommend two adults to complete.



16



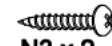

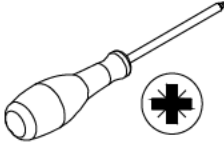

| | | | |
|--|--|---|---|
| G x 2  Ø3.5 x 12 | N  N1 x 2  N3 x 2 | O  |  |
|--|--|---|---|

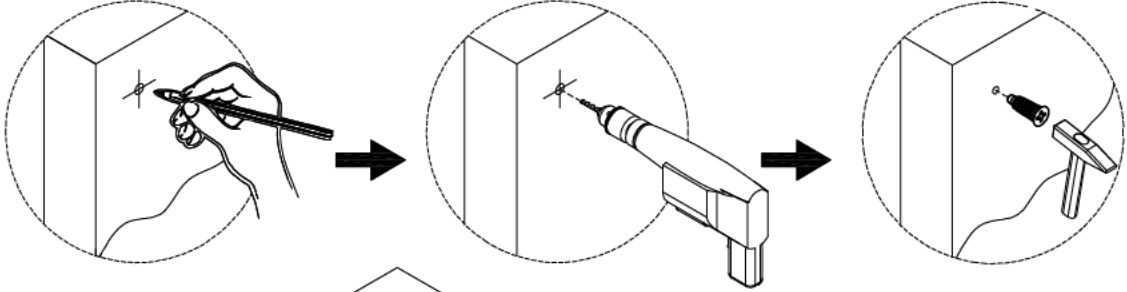


Attention

When the floor is not normal, you can adjust this hardware to make the cabinet stable

17

| | | | |
|--|--|---|--|
| G x 2  Ø3.5 x 12 | N  N2 x 2  N3 x 2 | O  |   |
|--|--|---|--|



special
wall

