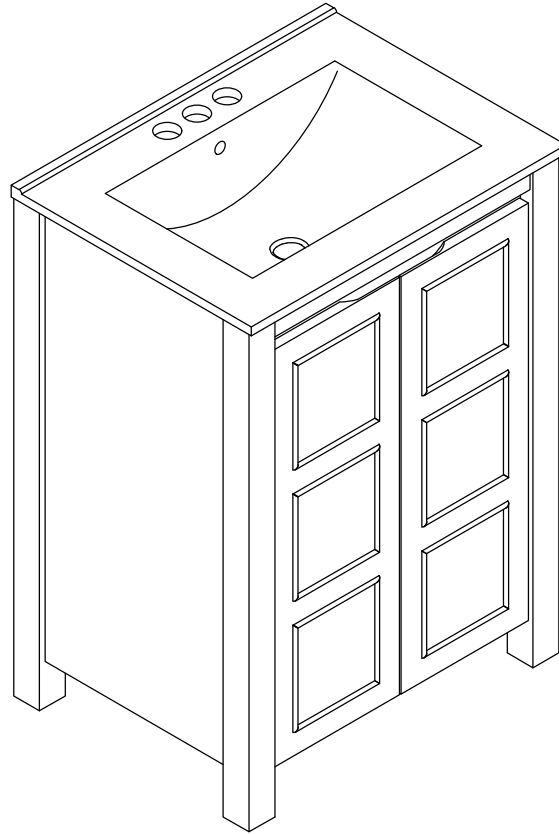


# ASSEMBLY INSTRUCTIONS

## 30 INCH BATH VANITY (COMBO)

### (INSTRUCTIONS DE MONTAGE MEUBLE-LAVABO DE 30 POUCES (COMBO))



Thank you for purchasing this quality product. Be sure to check all pack material carefully for small parts which may have come loose inside t carton during shipment. Separate, identify and count all parts and hard

Compare with the parts list to be sure all parts are present.

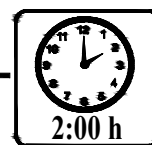
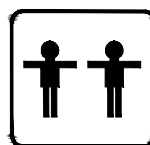
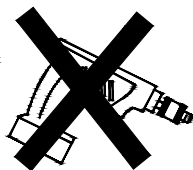
**"DO NOT TIGHTEN SCREWS UNTIL COMPLETELY ASSEMBLED"**

Merci d'avoir acheté ce produit de qualité. Assurez-vous de vérifier soigneusement tout le matériel d'emballage pour détecter les petites pièces qui auraient pu se détacher à l'intérieur du carton pendant le transport. Séparez, identifiez et comptez toutes les pièces et le matériel.

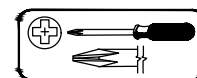
Comparez avec la liste des pièces pour vous assurer que toutes les pièces sont présentes.

**"NE SERREZ PAS LES VIS AVANT D'ÊTRE COMPLÈTEMENT ASSEMBLÉES"**

\*Use of power tool to assemble this product will invalidate any claim and damage this product making unsafe !!!  
\*Please assemble on a clean soft surface to avoid damage.



Tools Required



(Not included)

**IMPORTANT:**

**PLEASE READ INSTRUCTION BEFORE STARTING THE ASSEMBLY**

**VEUILLEZ LIRE LES INSTRUCTIONS AVANT DE COMMENCER L'ASSEMBLAGE**

Thank you for buying our products.

Please read the installation manual carefully before installation,

we need you to follow the instructions on the accessories and hardware

step by step assembly complete, our instructions are very detailed.

Products are environmentally friendly products,

Please rest assured that you do not soak in water, do not place very heavy items,

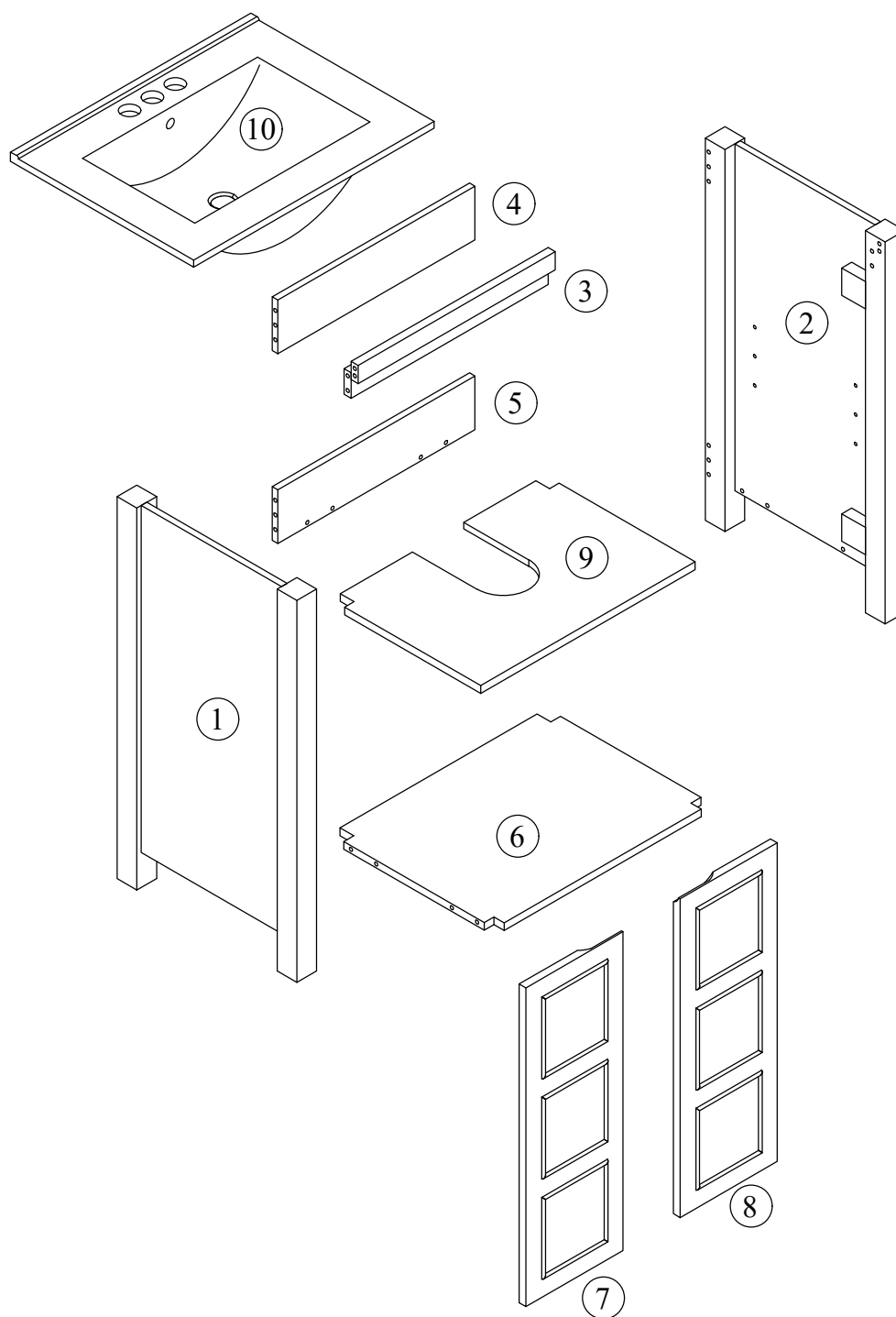
do not malicious push and pull,

if you have any problems in the process of assembly and use, please contact us.

Thank you again for your purchase of our products,

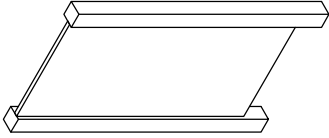
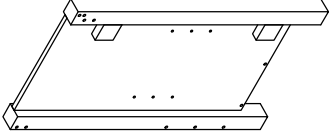
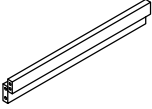
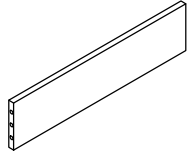
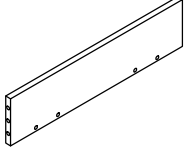
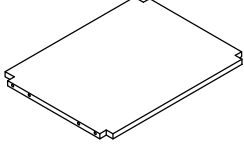
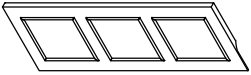
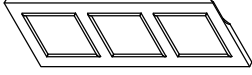
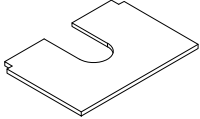
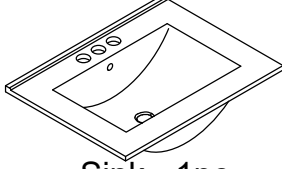
I wish you a happy life.

**Detail View - CABINET**  
**(Vue détaillée - ARMOIRE)**

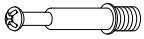

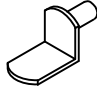
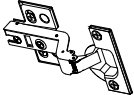
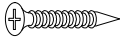




**Identifying the Hardware**-Identify the Hardware using the illustrations below.  
(Identification du matériel - Identification du matériel à l'aide des illustrations ci-dessous)

# Part List (Liste des pièces)

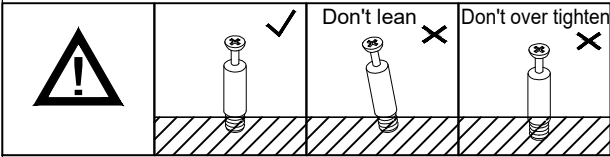
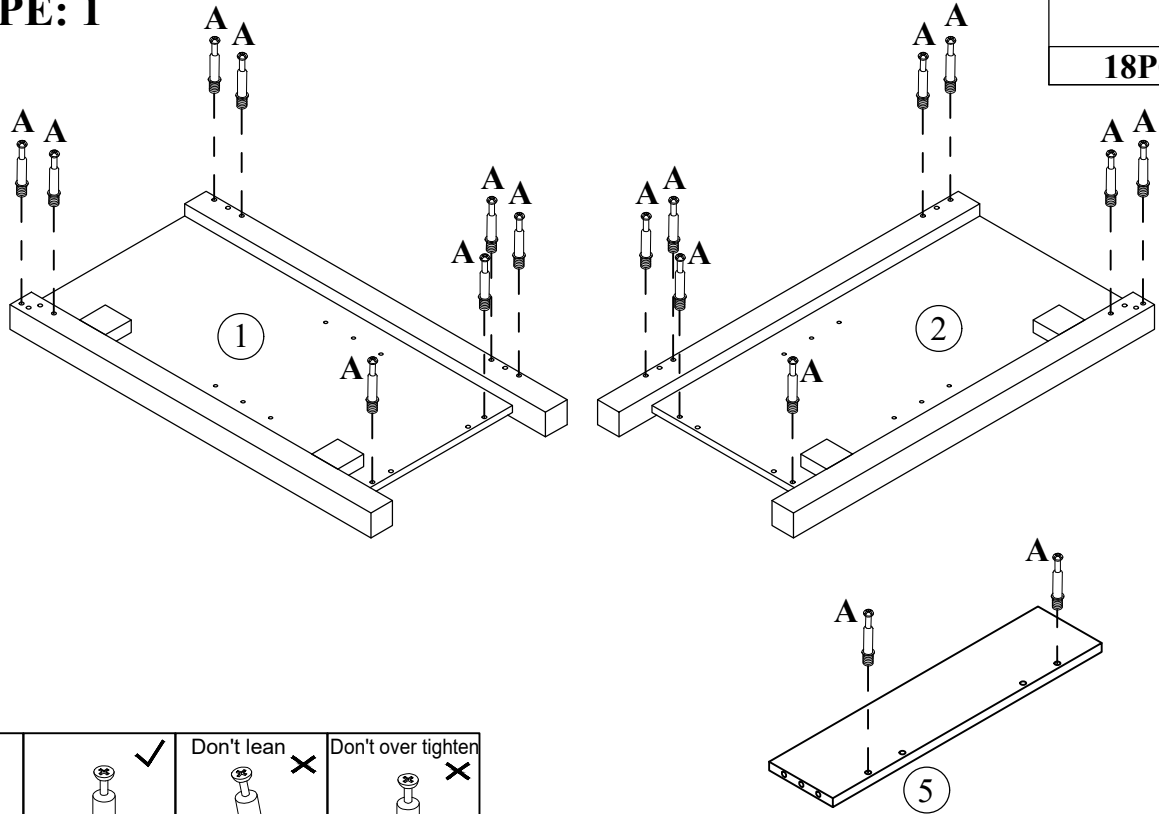
<p>1</p>  <p>Side Panel (L) - 1pc (Côté panneaux)</p>	<p>2</p>  <p>Side Panel (R) - 1pc (Côté panneaux)</p>
<p>3</p>  <p>Top Crossbar Front - 1pc (Barre avant supérieure)</p>	<p>4</p>  <p>Top Panel Rear - 1pc (Arrière panneaux haut)</p>
<p>5</p>  <p>Bottom Panel Rear - 1pc (Arrière panneaux bas)</p>	<p>6</p>  <p>Bottom Panel - 1pc (Panneau du bas)</p>
<p>7</p>  <p>Cabinet Door (L) - 1pc (Armoire à portes)</p>	<p>8</p>  <p>Cabinet Door (R) - 1pc (Armoire à portes)</p>
<p>9</p>  <p>Adjustable Shelf - 1pc (Étagère réglable)</p>	<p>10</p>  <p>Sink - 1pc (Lavabo)</p>

## Hardware List (Liste du matériel)

<p><b>A</b></p>  <p>ø6x35mm</p>	<p><b>B</b></p>  <p>ø14.5x12mm</p>	<p><b>C</b></p> 
<p>Three in one bolts - 18pcs (Boulons trois en un)</p>	<p>Three in one lock - 18pcs (Serrure trois en un)</p>	<p>Laminate pad - 4pcs (Coussin stratifié)</p>
<p><b>D</b></p> 	<p><b>E</b></p>  <p>ø7xø3.5x15mm</p>	<p><b>F</b></p>  <p>ø8x30mm</p>
<p>Damping hinge - 4pcs (Charnière amortissante)</p>	<p>Flat head screw - 24pcs (Vis à tête plate)</p>	<p>Wood dowel - 14pcs (Cheville en bois)</p>
<p><b>G</b></p>  <p>Anti fall hardware - 2set (Quincaillerie anti-chute)</p>		

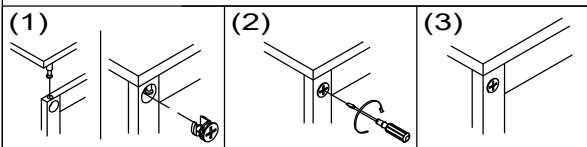
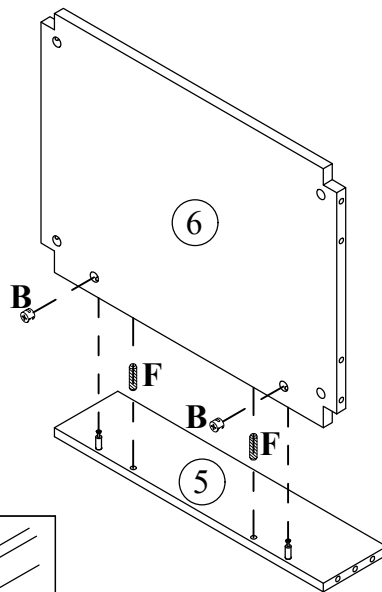
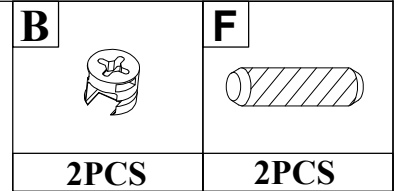
**STEP: 1**

**ÉTAPE: 1**





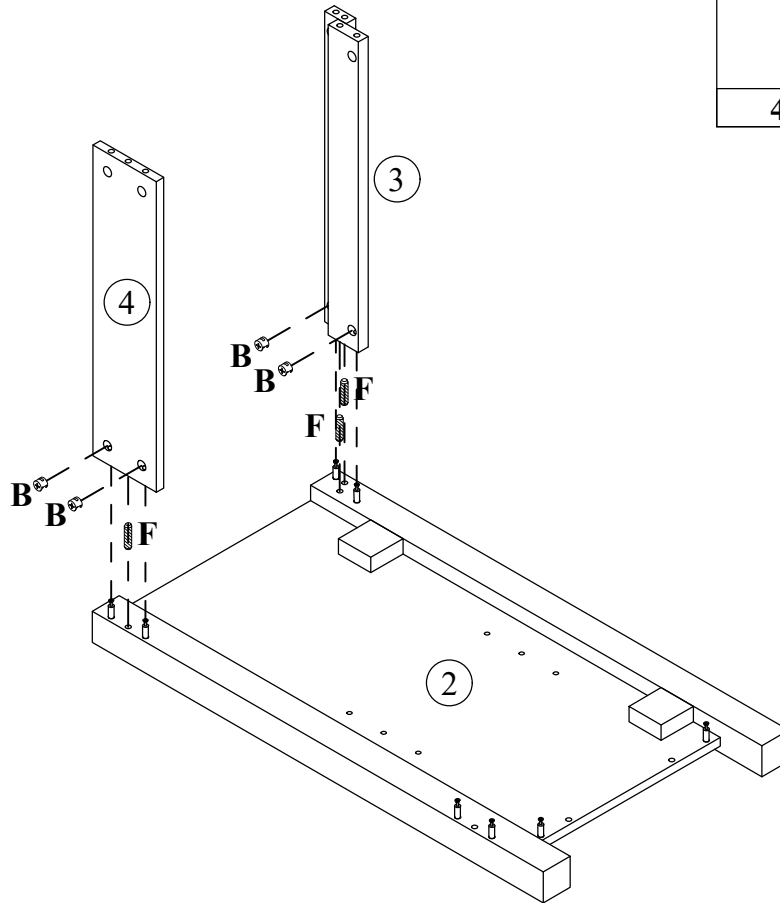
**STEP: 2**

**ÉTAPE: 2**





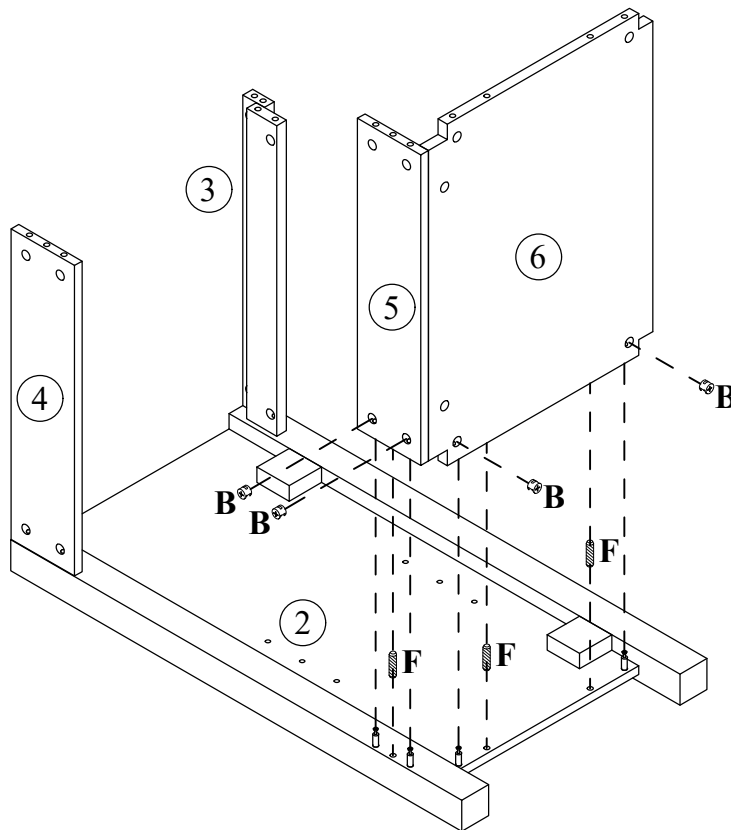
**STEP: 3**  
**ÉTAPE: 3**

<b>B</b>		<b>F</b>	
<b>4PCS</b>		<b>3PCS</b>	




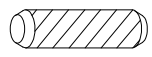
**STEP: 4**  
**ÉTAPE: 4**

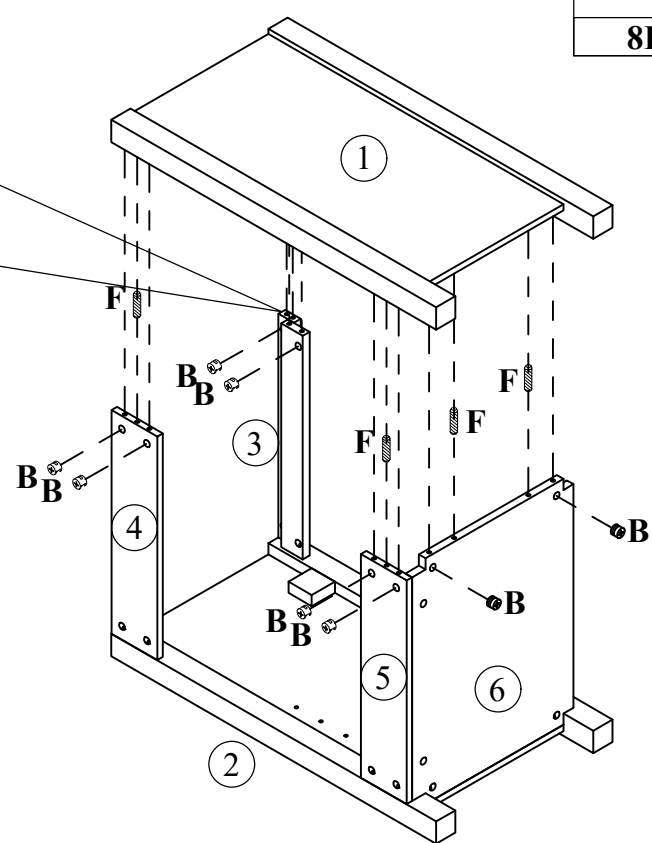
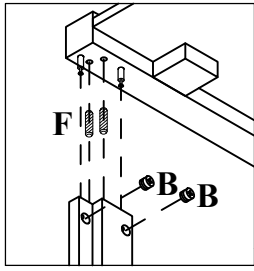
<b>B</b>		<b>F</b>	
<b>4PCS</b>		<b>3PCS</b>	



**STEP: 5**


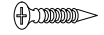
**ÉTAPE: 5**

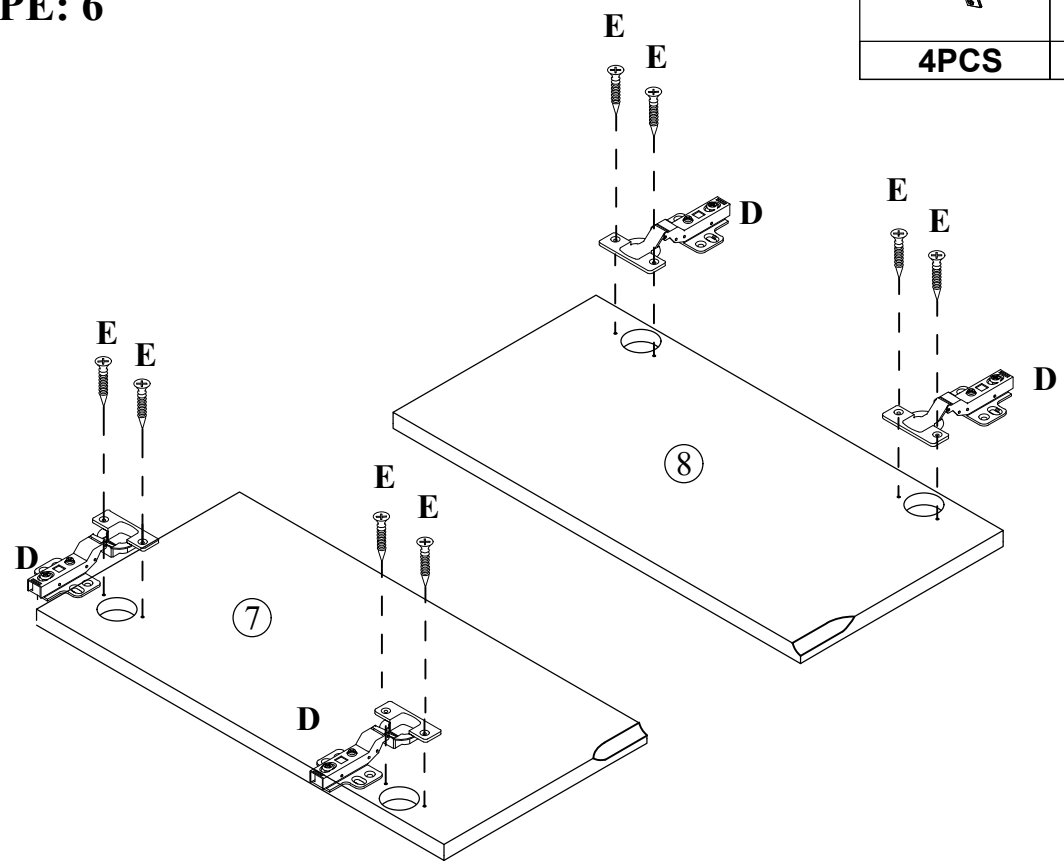
<b>B</b>		<b>F</b>	
<b>8PCS</b>		<b>6PCS</b>	



**STEP: 6**

**ÉTAPE: 6**

<b>D</b>		<b>E</b>	
<b>4PCS</b>		<b>8PCS</b>	

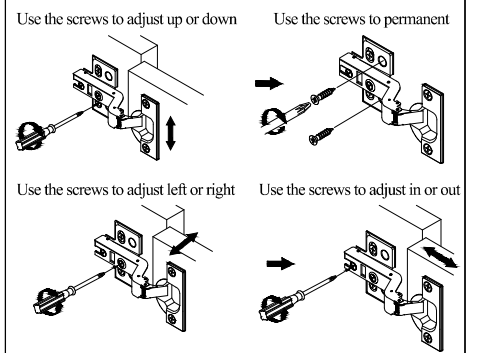
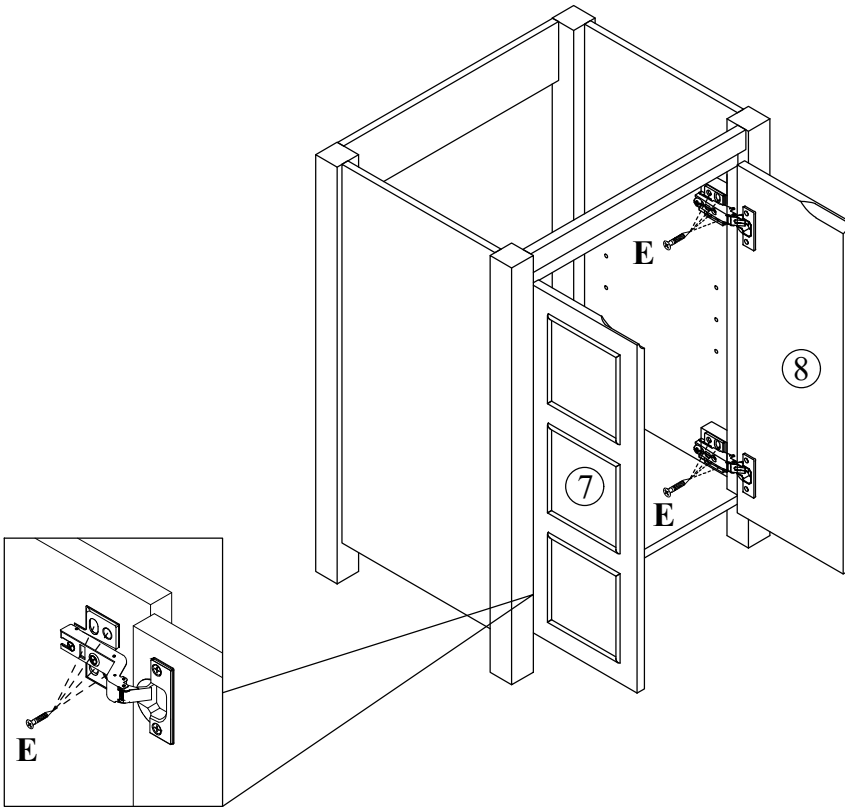


**STEP: 7**  
**ÉTAPE: 7**

**E**

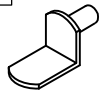


**16PCS**

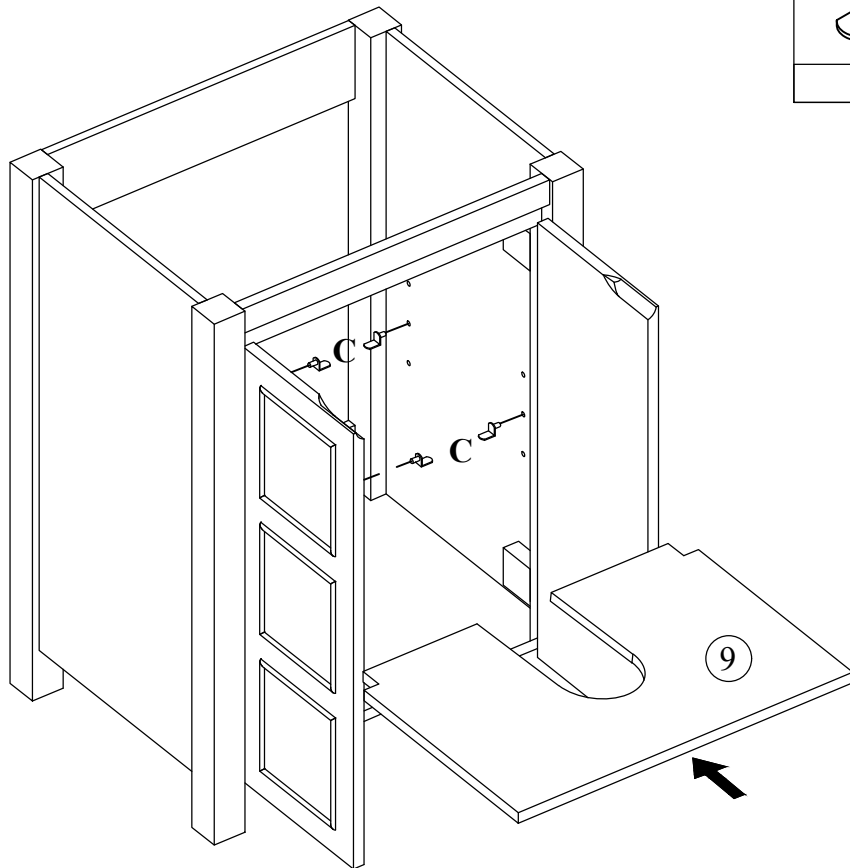


**STEP: 8**  
**ÉTAPE: 8**

**C**

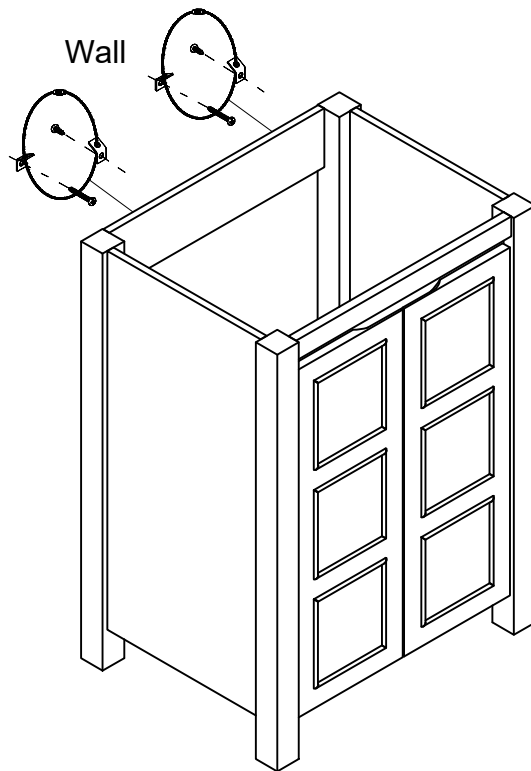


**4PCS**



## **STEP: 9**

## **ÉTAPE: 9**

**G****2SET**

## **STEP: 10**

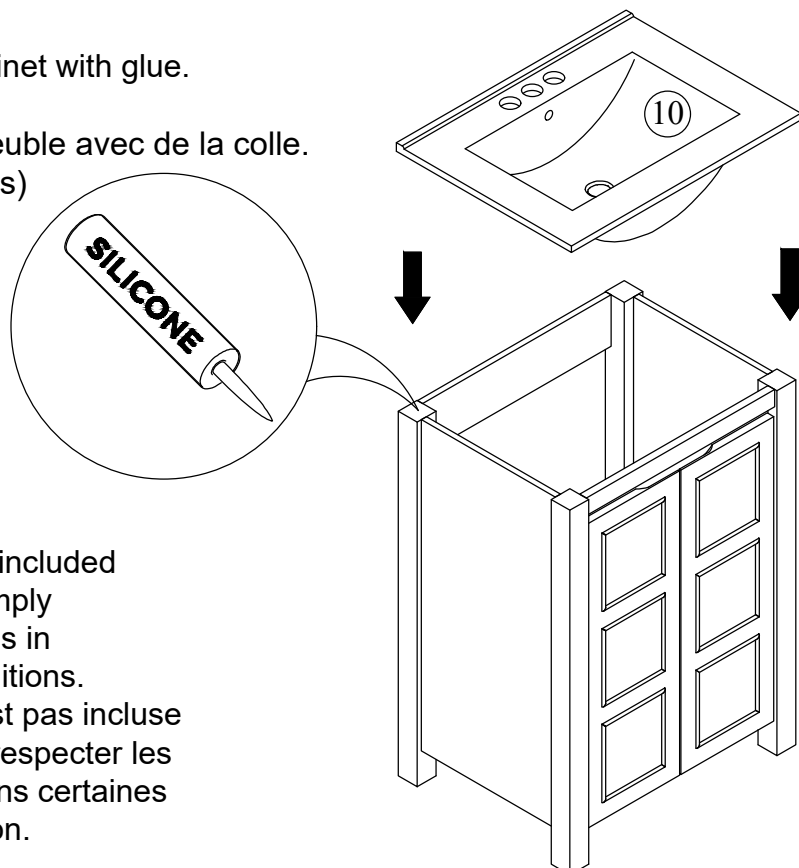
## **ÉTAPE: 10**

Install the sink on the cabinet with glue.

Let stand for 24 hours

(Installez l'évier sur le meuble avec de la colle.

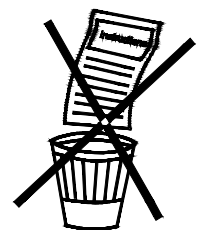
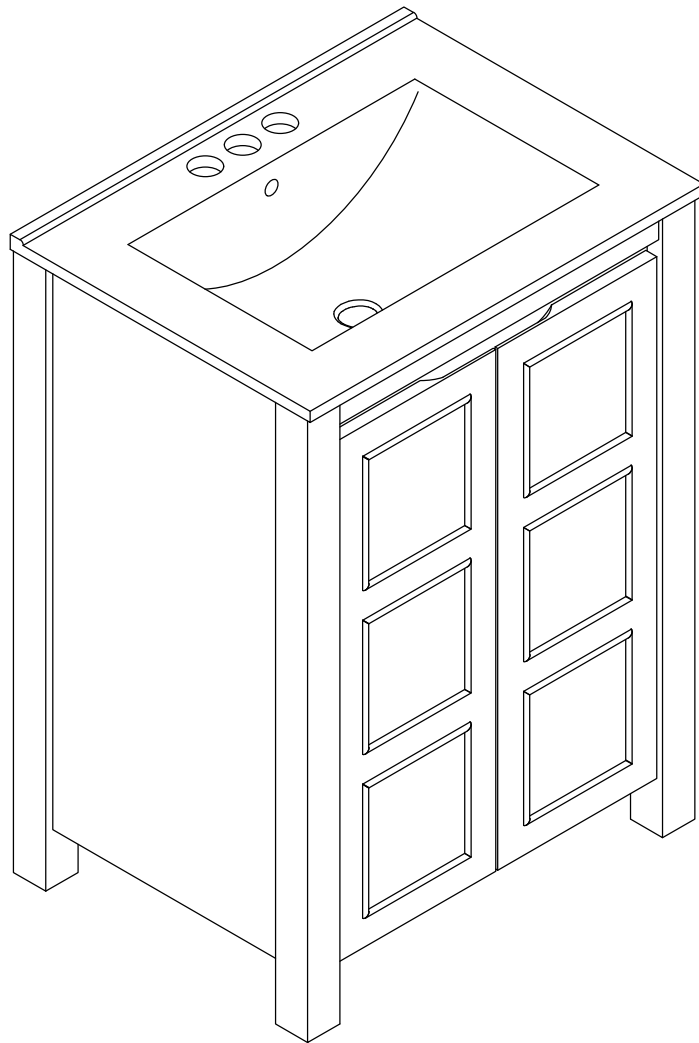
Laissez reposer 24 heures)



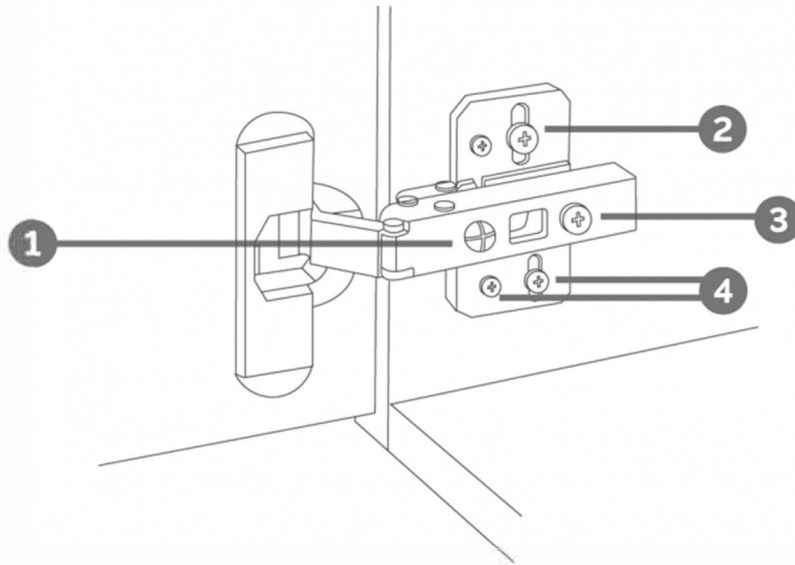
\*Silicone glue is not included in the package to comply with safety regulations in certain shipping conditions.

\*La colle silicone n'est pas incluse dans le colis afin de respecter les règles de sécurité dans certaines conditions d'expédition.

**COMPLETE**  
**COMPLÈTE**

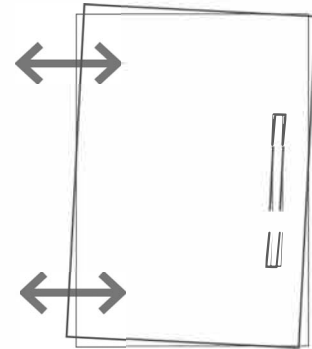


# HINGE ADJUSTMENTS



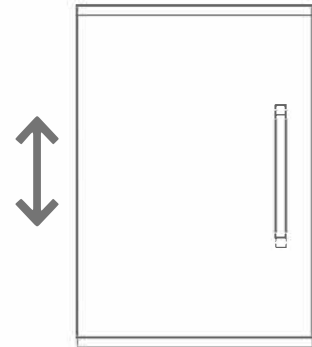
## 1 Sideways / Tilt adjustment

Turn the screw  
**clockwise** to move the door further away from  
the side of the cabinet  
**anticlockwise** to move the door closer to the  
side of the cabinet



## 2 4 Height adjustment

While supporting the weight of the door, turn the  
screws  
**clockwise** to move the door up  
**anticlockwise** to move the door down



## 3 Forward and back adjustment

If the gap between the back of the door and the  
cabinet is too small, and the door may not close  
fully. Turn the screw  
**clockwise** to decrease the gap between the  
door and the cabinet  
**anticlockwise** to increase the gap between the  
door and the cabinet

