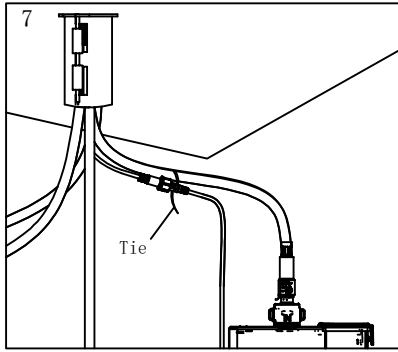
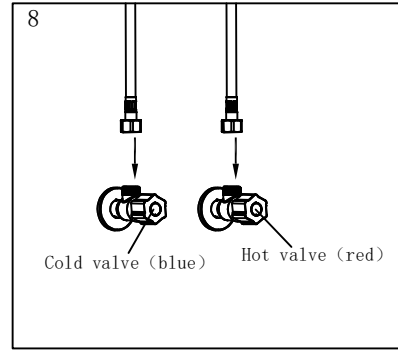


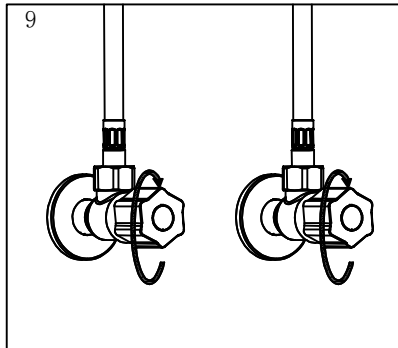
instructions



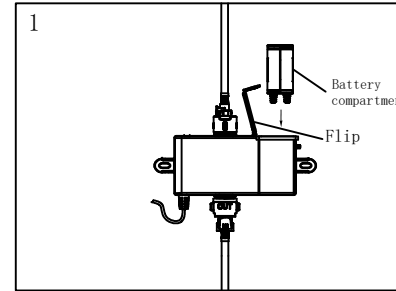
7. Bind the connected harness and control pipe with a tie



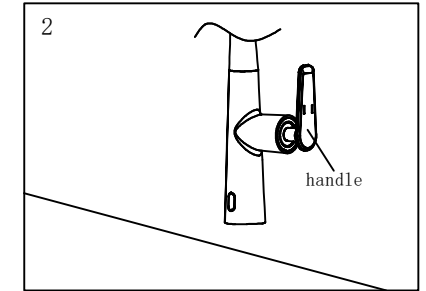
8. Connect the hot & cold supply lines onto the matching water valves and secure the connection with an adjustable wrench (pay attention to hot & cold signs).



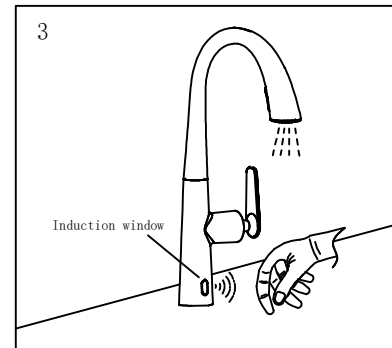
9. Turn on the water supply and check the water connections for leaks.



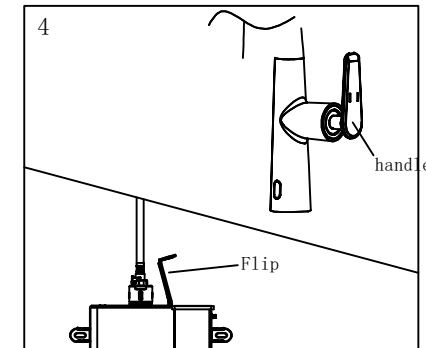
1. Open the flap and install four No. 5 batteries. Put it into the battery compartment and then put it into the control box. Inside, close the flap.



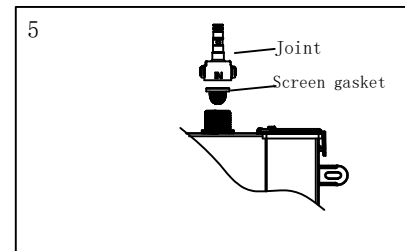
2. Pull your hand back to adjust the ratio of water output to cold and hot water (Hot left & cold right)



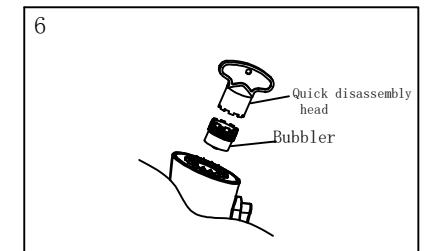
3. When the hand is close to the sensing window, the faucet will automatically open. Water out, close to it again and close the water out.



4. In case of power failure, open the flap and use the handle to control the water outlet of the tap.



5. When there is no water, unscrew the connector and take it out. Clean the filter screen gasket with clean water and replace it.



6. Disassemble bubbles with quick release head. Wash the container with clean water and replace it.