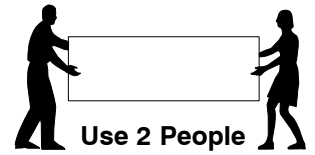
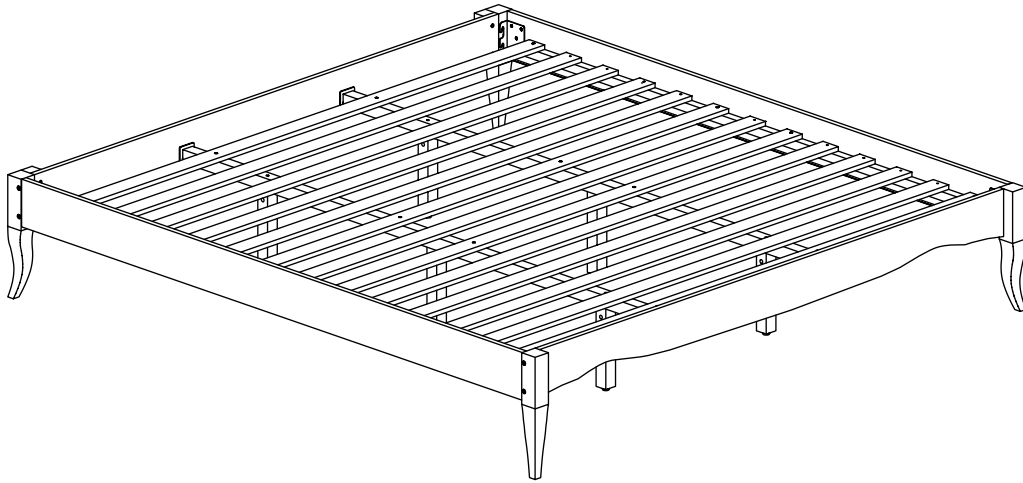


King Bed

Assembly Instructions

1 Assembled View



Note: Do not assemble using power tools. This can cause the bolts to be overtightened

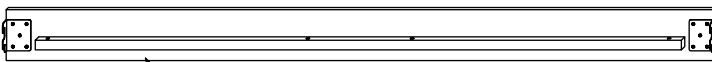
2 Parts List



A Headboard Panel x 1



B Footboard Panel x 1



C Side Rail x 2



D Long Support x 2



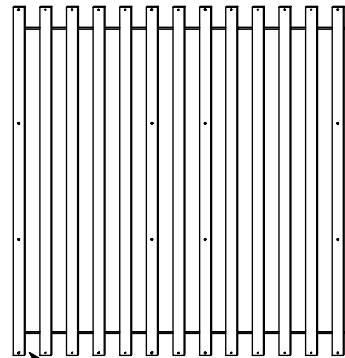
E Support Leg x 6



F Post (Left hand) x 2



G Post (Right hand) x 2

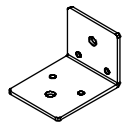


H Set of Bed Slats x 1

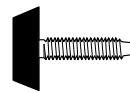
3 Hardware List



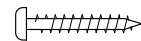
1 M4 Allen Key x 1



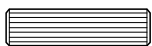
2 Center Rail Bracket x 4



3 Adjustable Foot x 6



4 Wood Screw (M4 x 32mm) x 22



5 Wood Dowel (10 x 40mm) x 4



6 Barrel Nut x 14



7 Spring Washer x 14



8 Flat Washer x 14



9 M6 x 15mm JCB x 8



10 M6 x 20mm JCB x 8



11 M6 x 40mm JCB x 28

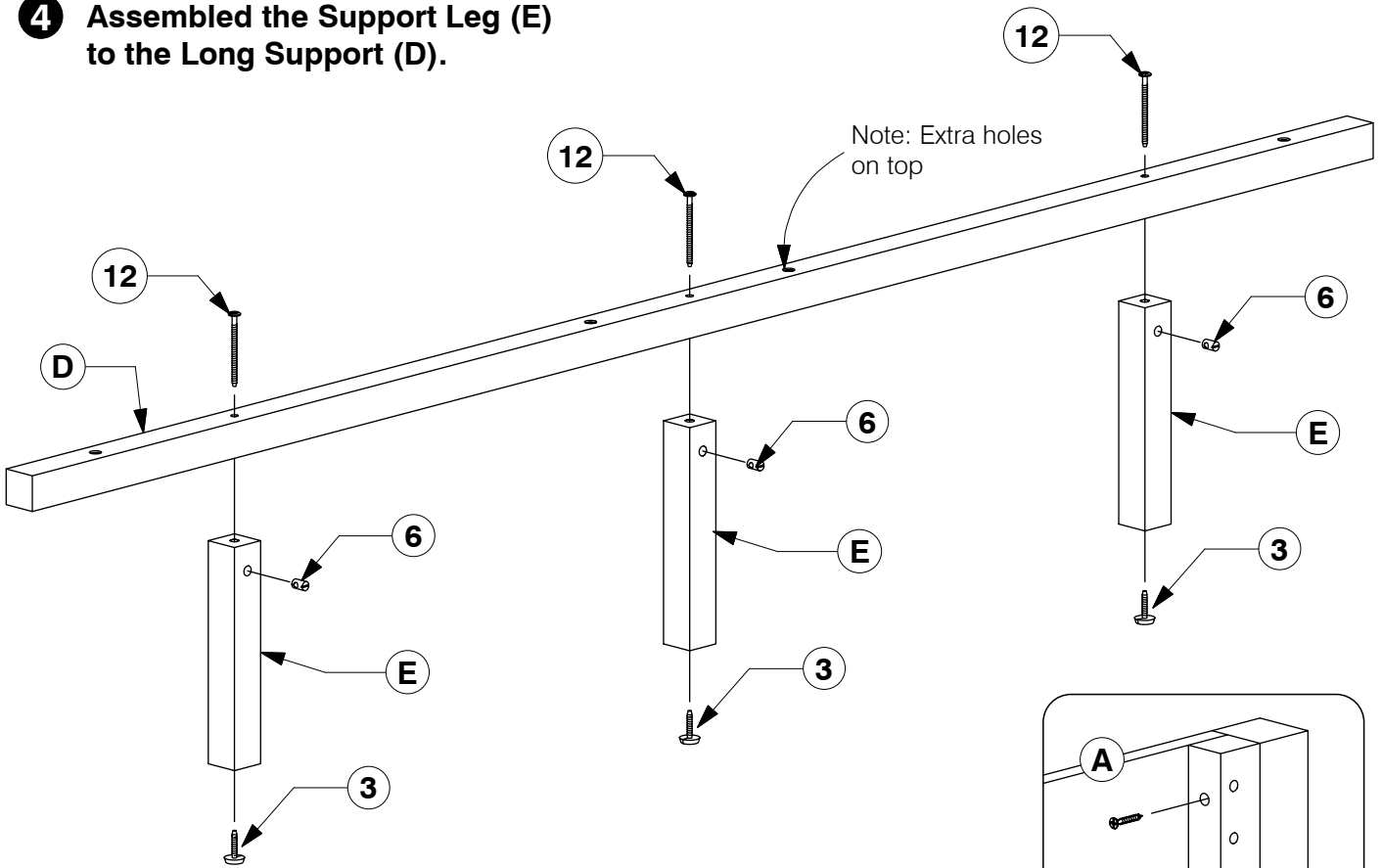


12 M6 x 90mm JCB x 14

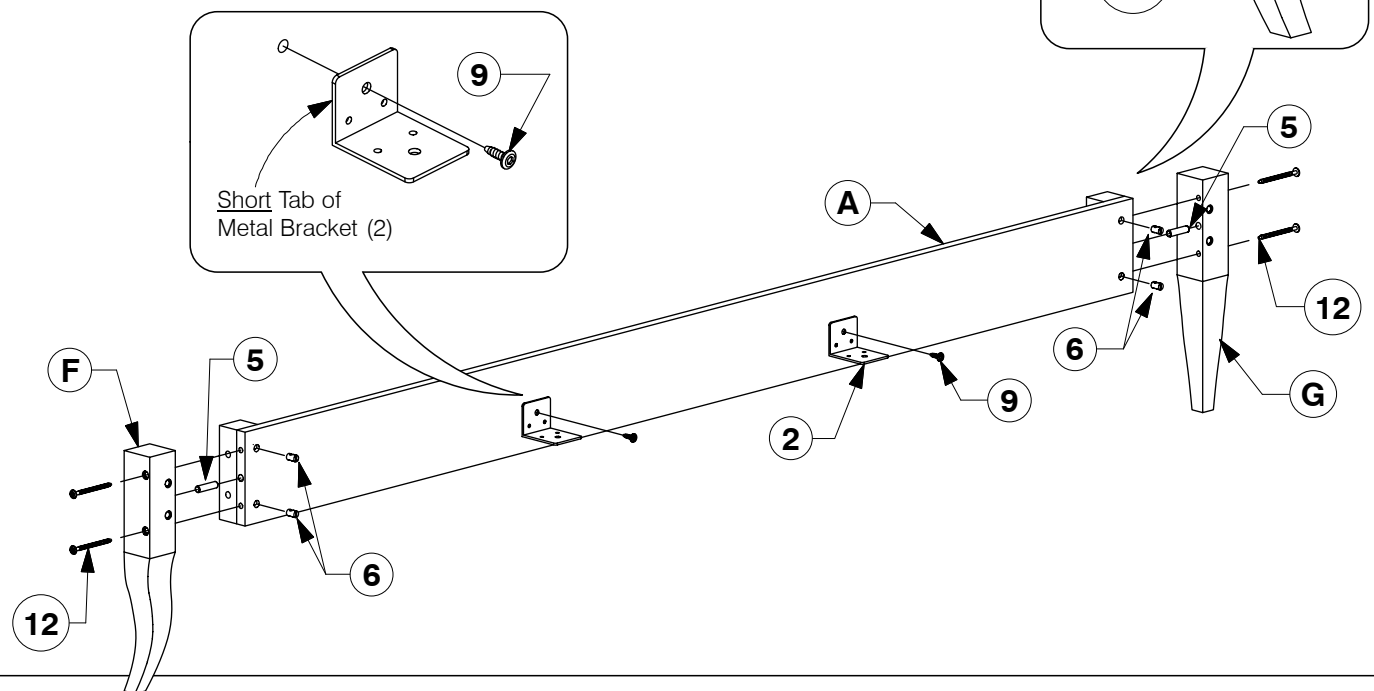
King Bed

Assembly Instructions

- 4** Assembled the Support Leg (E) to the Long Support (D).



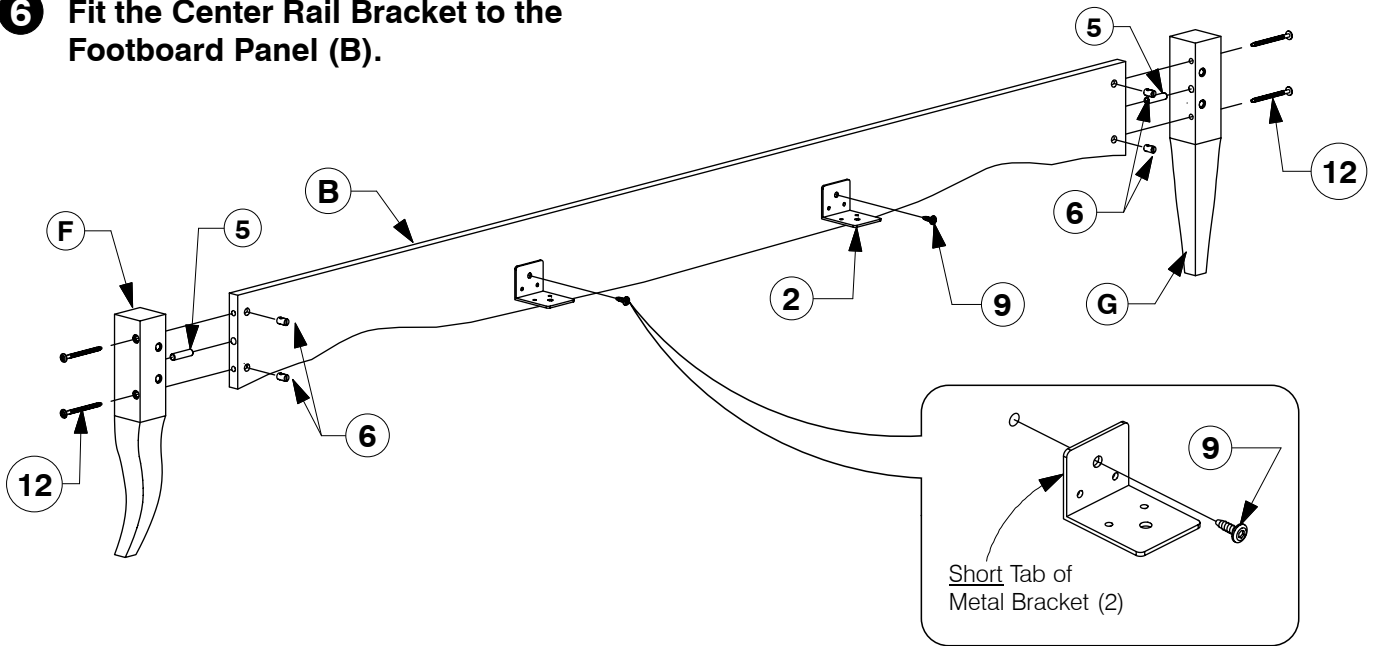
- 5** Fit the Center Rail Bracket to the Headboard Panel (A). Assemble the Headboard Panel (A) to Post (F/G), using Wood Screw 32mm (4).



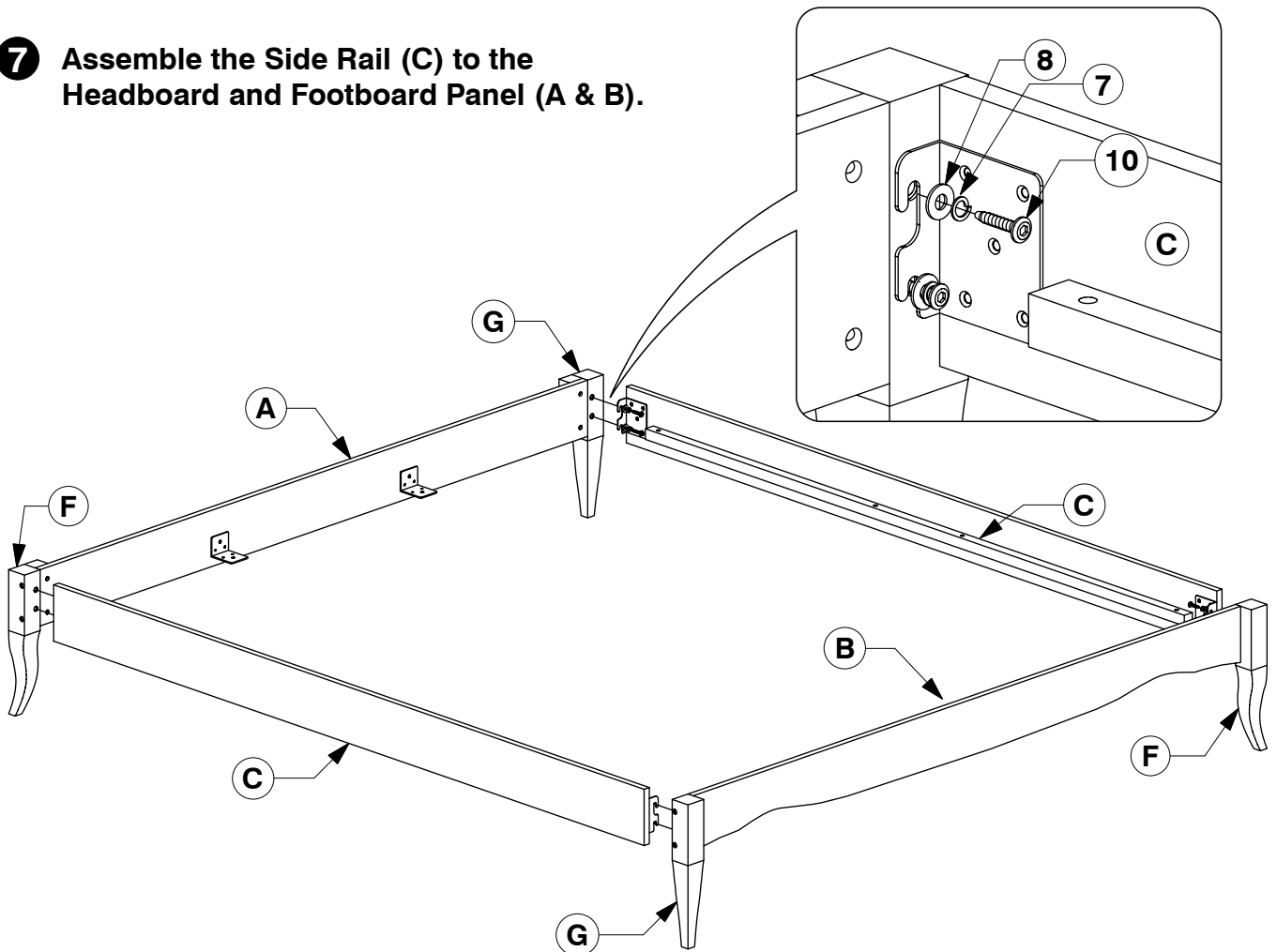
King Bed

Assembly Instructions

6 Fit the Center Rail Bracket to the Footboard Panel (B).



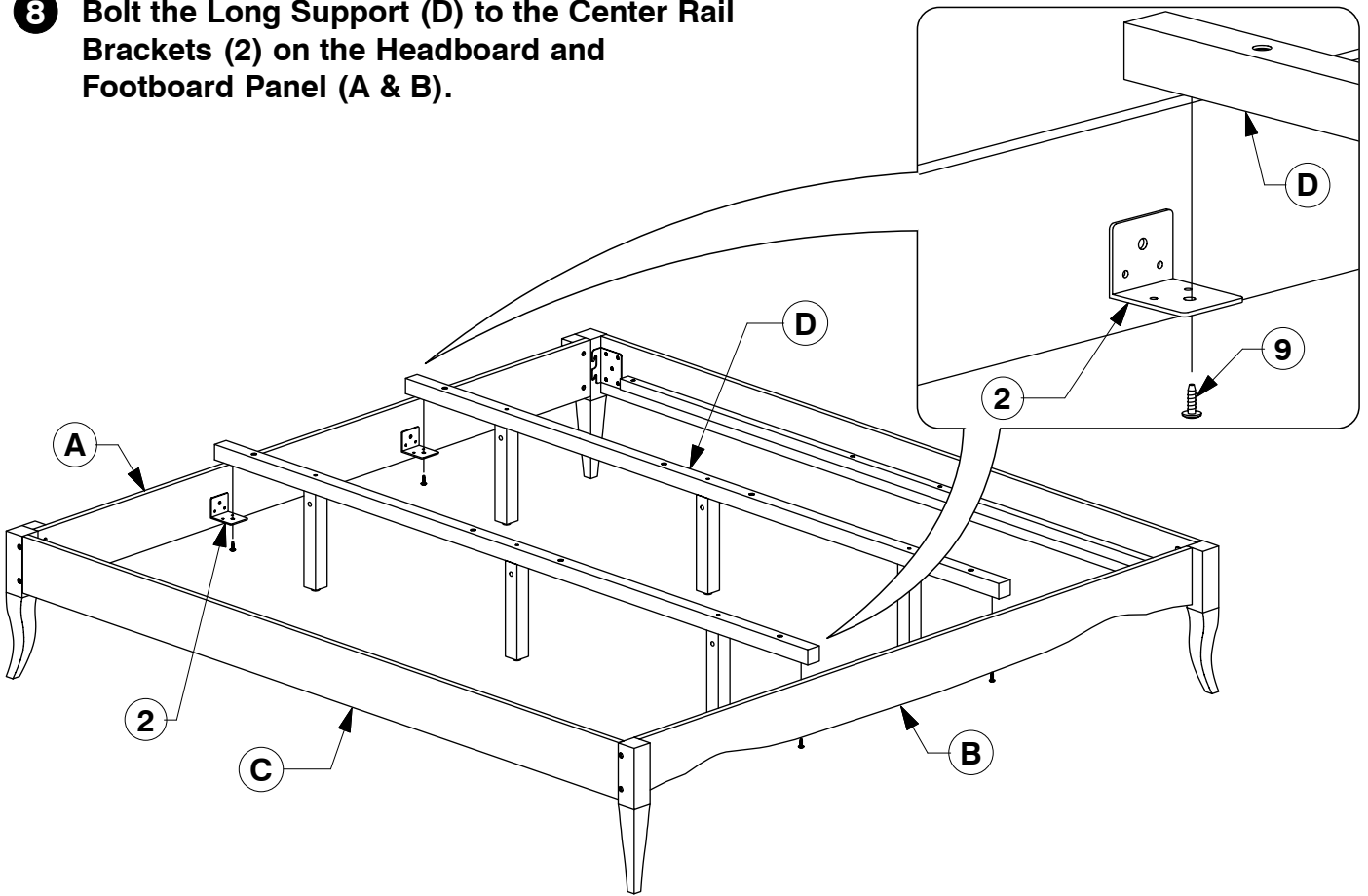
7 Assemble the Side Rail (C) to the Headboard and Footboard Panel (A & B).



King Bed

Assembly Instructions

- 8** Bolt the Long Support (D) to the Center Rail Brackets (2) on the Headboard and Footboard Panel (A & B).



- 9** Bolt & screw the Bed Slats (H) to the Side Rail (C).

