

ASSEMBLY INSTRUCTIONS



Fine Furniture for every stage of life

ARMLESS CHAIR

ASSEMBLY INSTRUCTIONS

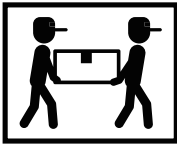
ASSEMBLY TIPS:

1. Remove hardware from box and sort by size.
2. Please check to see that all hardware and parts are present prior to start of assembly.
3. Please follow attached instructions in the same sequence as numbered to assure fast & easy assembly.



WARNING!

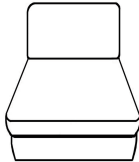

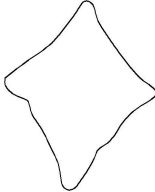
1. Don't attempt to repair or modify parts that are broken or defective. Please contact the store immediately.
2. This product is for home use only and not intended for commercial establishments.



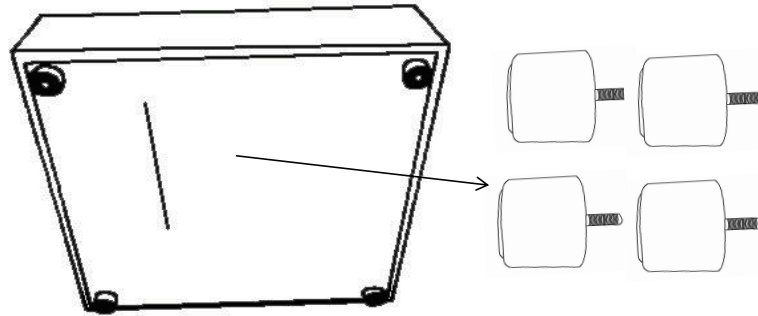
ASSEMBLY TIME

5 MINUTES

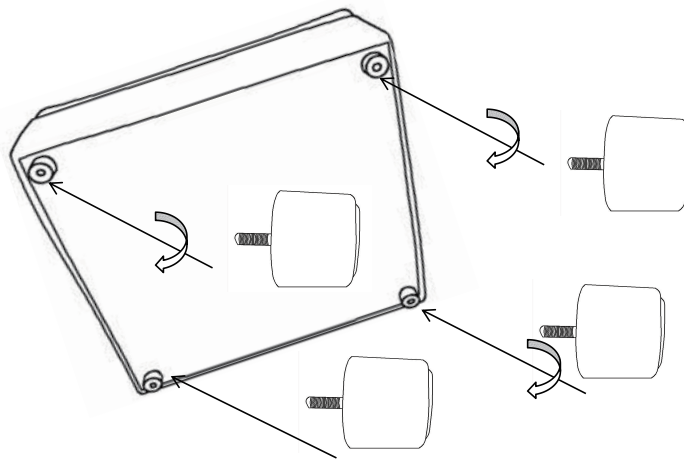
PARTS IDENTIFICATION

	PART NAME	FIGURE	QUANTITY
A	ARMLESS CHAIR BASE		1PC
B	LEG		4PCS
C	PILLOW		2PCS

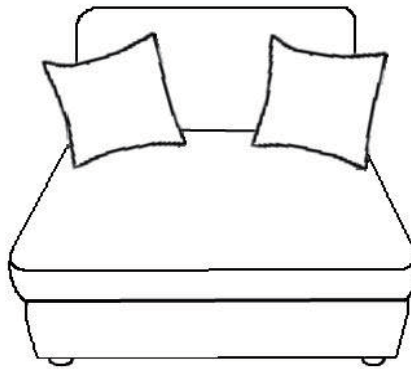
ASSEMBLY INSTRUCTIONS
STEP 1



STEP 2

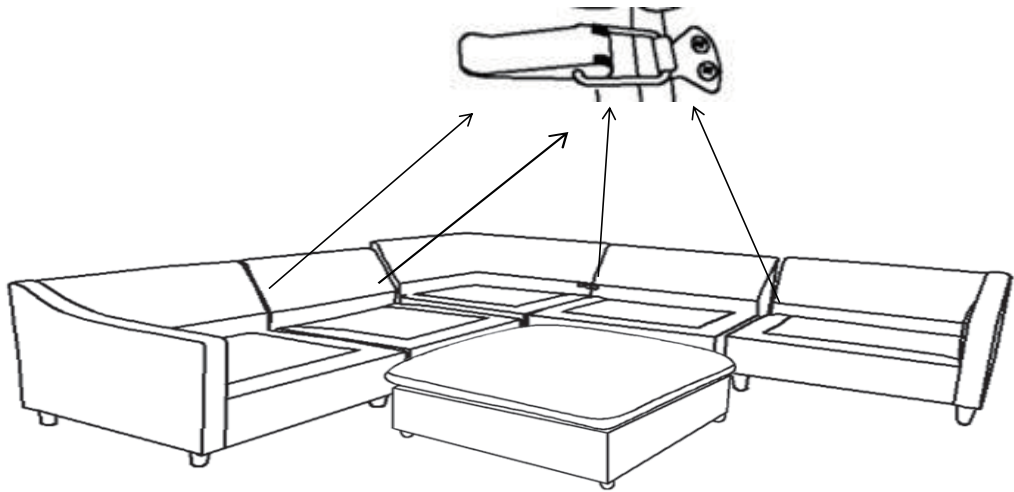


STEP 3

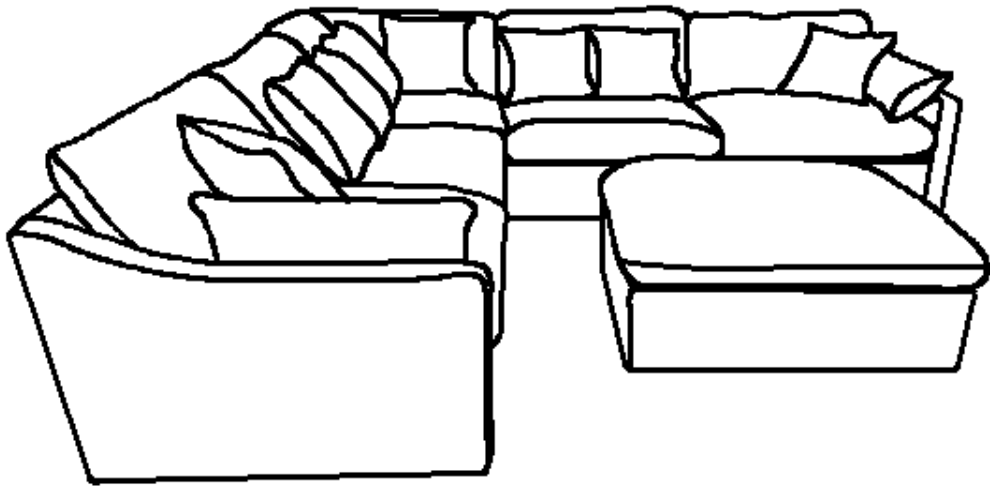


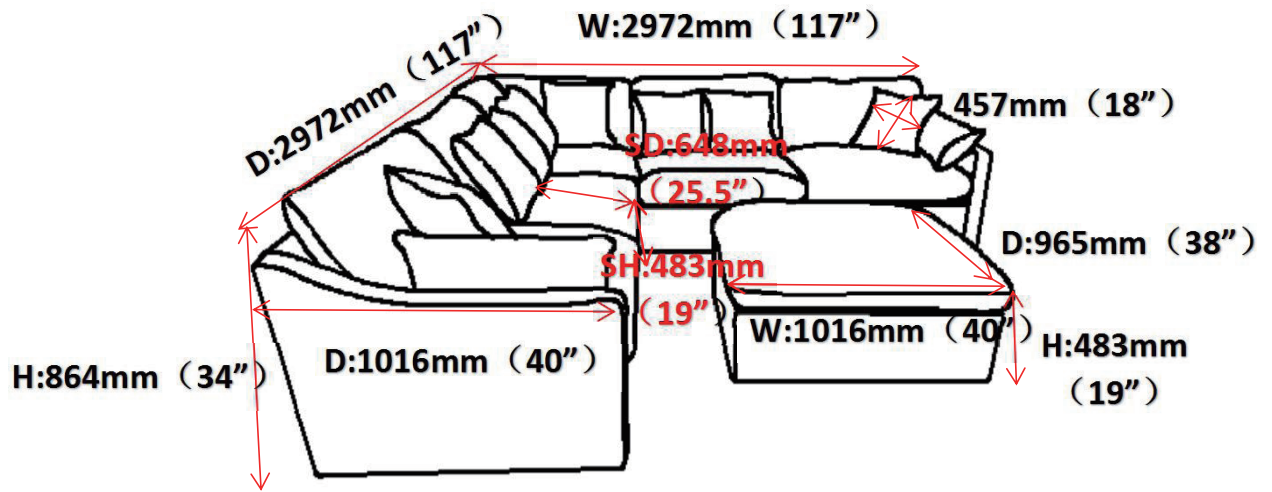
ASSEMBLY INSTRUCTIONS

STEP 1



STEP 2





Note : Dimension tolerance $\pm 5\%$

ASSEMBLY INSTRUCTIONS



CORNER

ASSEMBLY INSTRUCTIONS

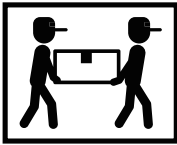
ASSEMBLY TIPS:

1. Remove hardware from box and sort by size.
2. Please check to see that all hardware and parts are present prior to start of assembly.
3. Please follow attached instructions in the same sequence as numbered to assure fast & easy assembly.



WARNING!


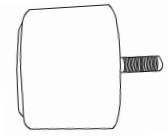
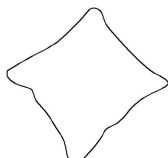
1. Don't attempt to repair or modify parts that are broken or defective. Please contact the store immediately.
2. This product is for home use only and not intended for commercial establishments.



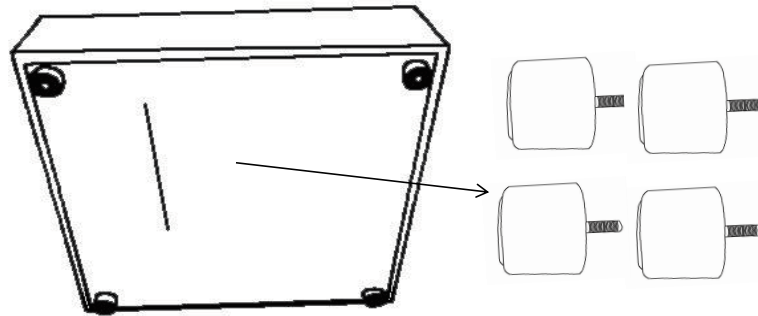
ASSEMBLY TIME

5 MINUTES

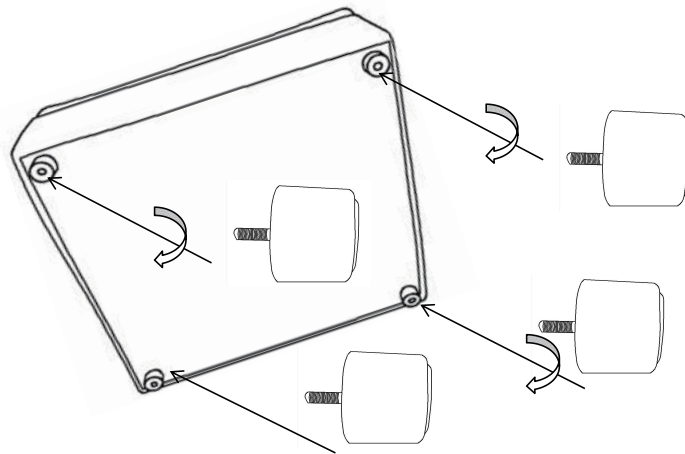
PARTS IDENTIFICATION

	PART NAME	FIGURE	QUANTITY
D	ARMLESS CHAIR BASE		1PC
E	LEG		4PCS
F	PILLOW		2PCS

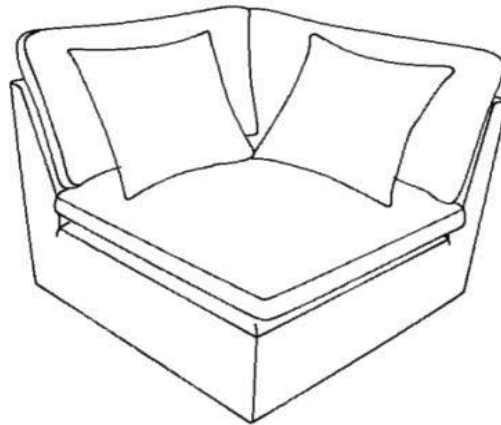
ASSEMBLY INSTRUCTIONS
STEP 1



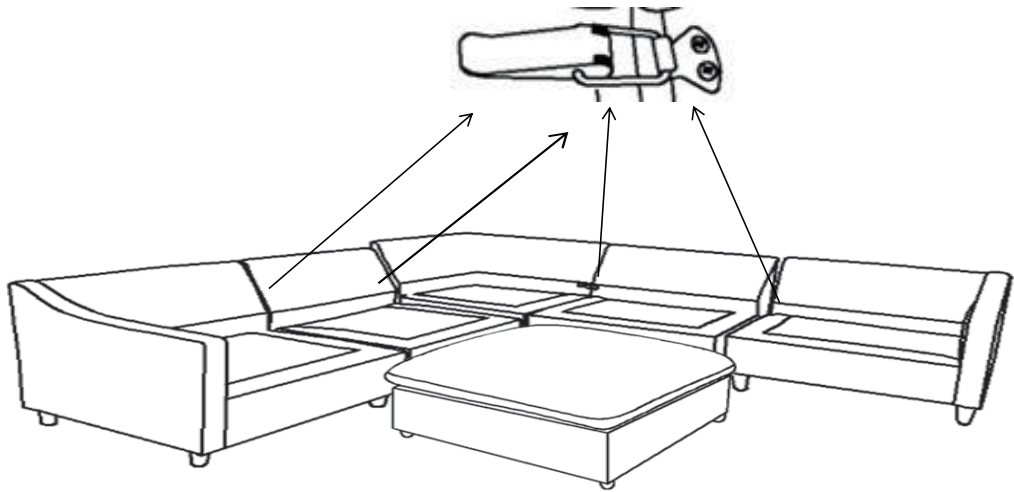
STEP 2



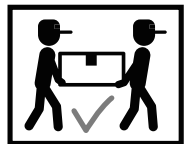
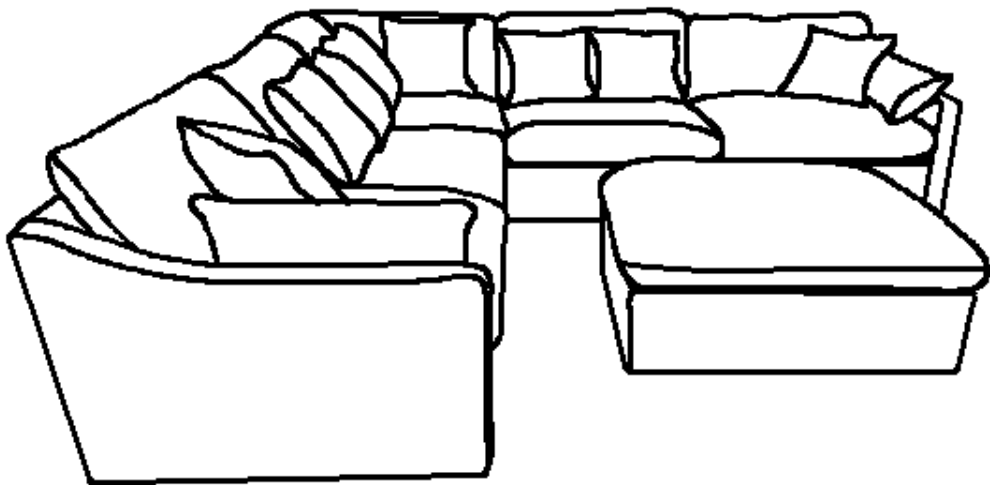
STEP 3

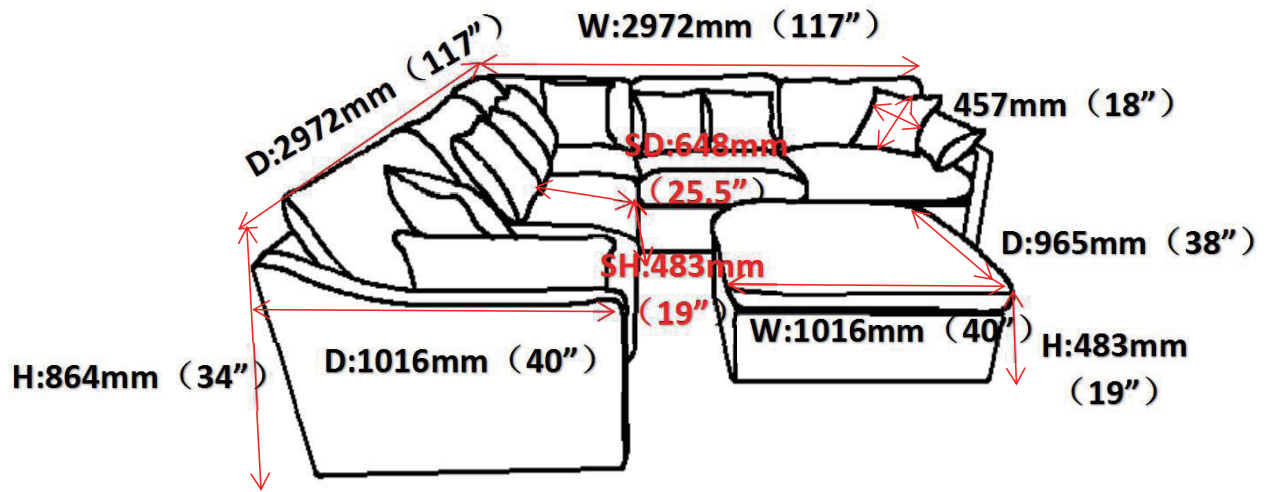


ASSEMBLY INSTRUCTIONS
STEP 1



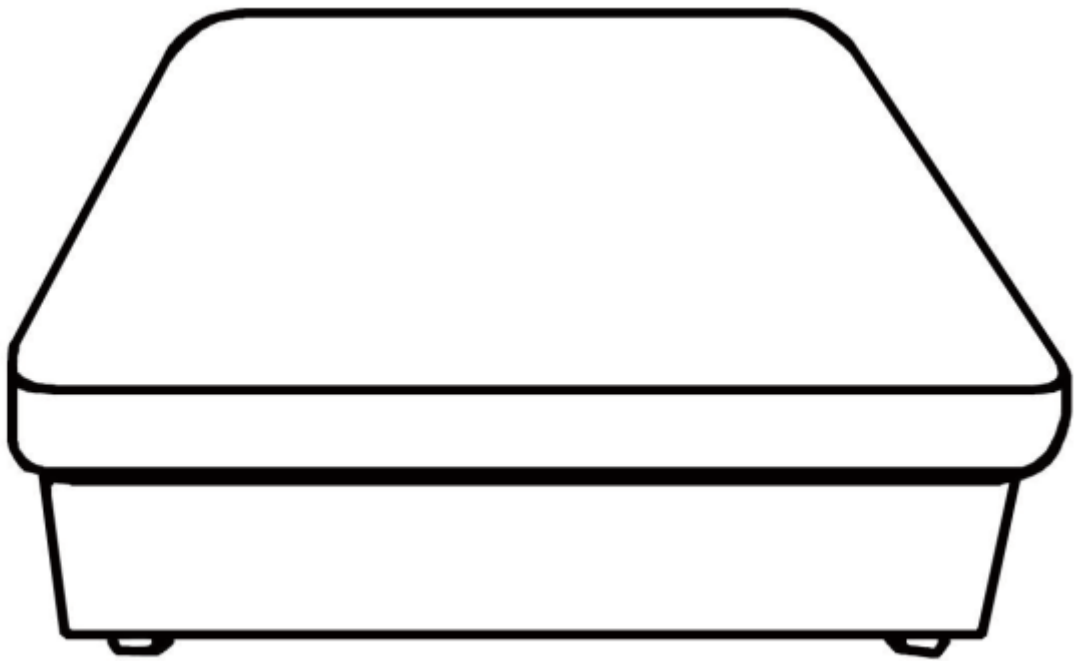
STEP 2





Note : Dimension tolerance $\pm 5\%$

ASSEMBLY INSTRUCTIONS



OTTOMAN

ASSEMBLY INSTRUCTIONS

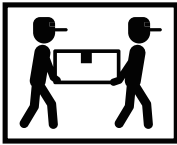
ASSEMBLY TIPS:

1. Remove hardware from box and sort by size.
2. Please check to see that all hardware and parts are present prior to start of assembly.
3. Please follow attached instructions in the same sequence as numbered to assure fast & easy assembly.



WARNING!

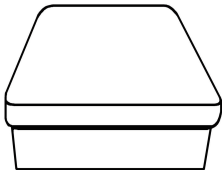

1. Don't attempt to repair or modify parts that are broken or defective. Please contact the store immediately.
2. This product is for home use only and not intended for commercial establishments.



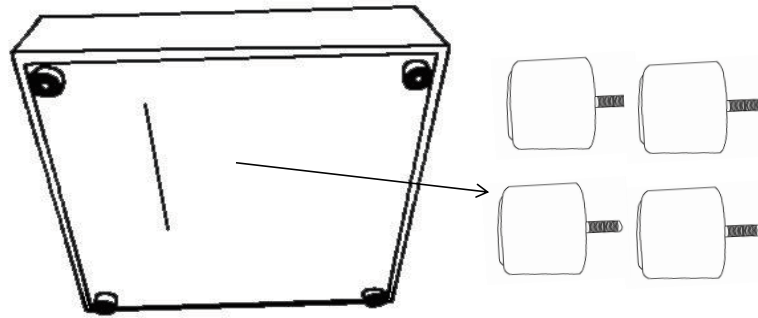
ASSEMBLY TIME

5 MINUTES

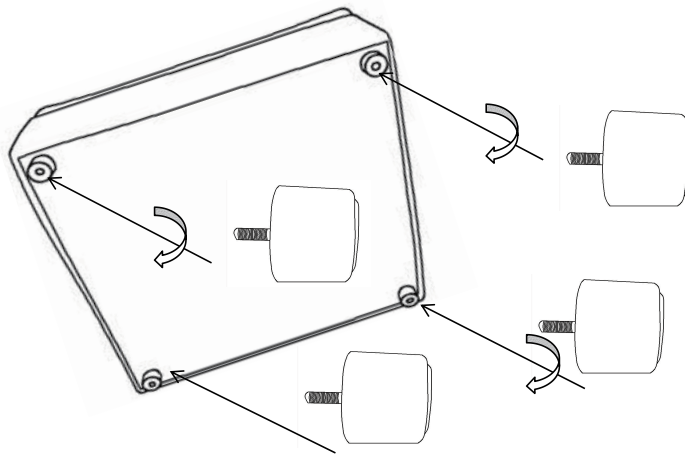
PARTS IDENTIFICATION

	PART NAME	FIGURE	QUANTITY
G	OTTOMAN BASE		1PC
H	LEG		4PCS

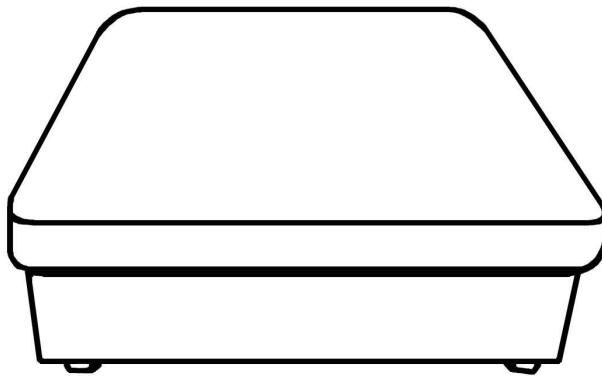
ASSEMBLY INSTRUCTIONS
STEP 1



STEP 2

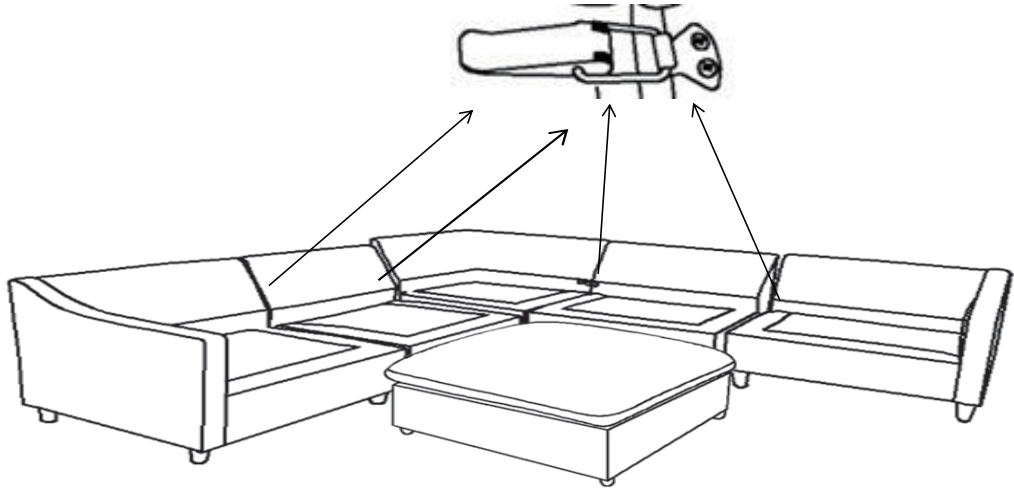


STEP 3

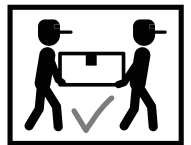
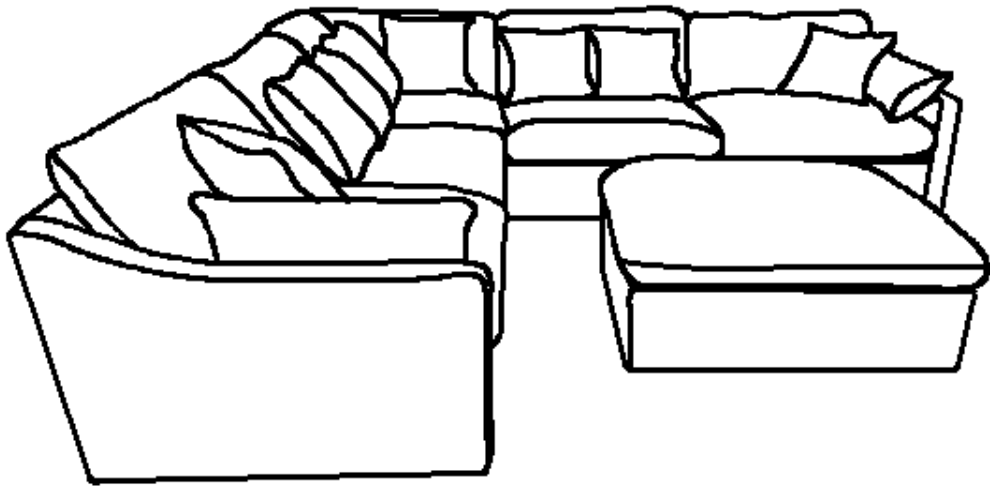


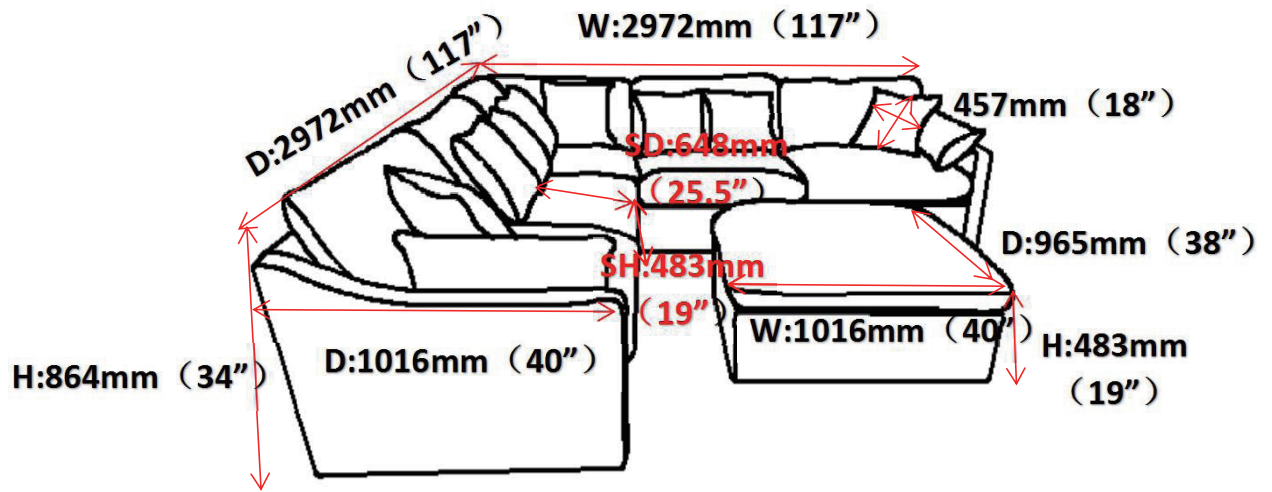
ASSEMBLY INSTRUCTIONS

STEP 1



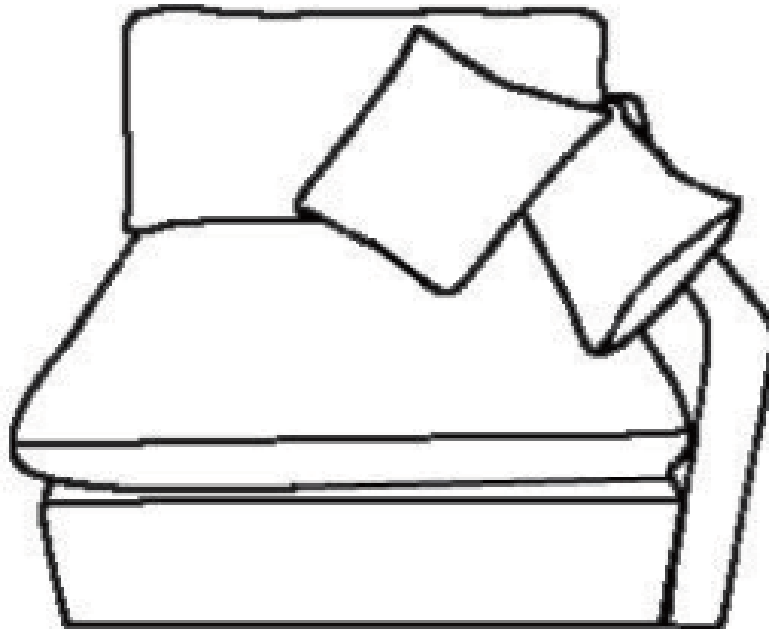
STEP 2





Note : Dimension tolerance $\pm 5\%$

ASSEMBLY INSTRUCTIONS



RAF CHAIR

ASSEMBLY INSTRUCTIONS

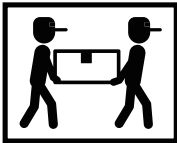
ASSEMBLY TIPS:

1. Remove hardware from box and sort by size.
2. Please check to see that all hardware and parts are present prior to start of assembly.
3. Please follow attached instructions in the same sequence as numbered to assure fast & easy assembly.



WARNING!



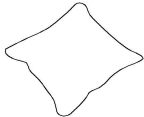

1. Don't attempt to repair or modify parts that are broken or defective. Please contact the store immediately.
2. This product is for home use only and not intended for commercial establishments.



ASSEMBLY TIME

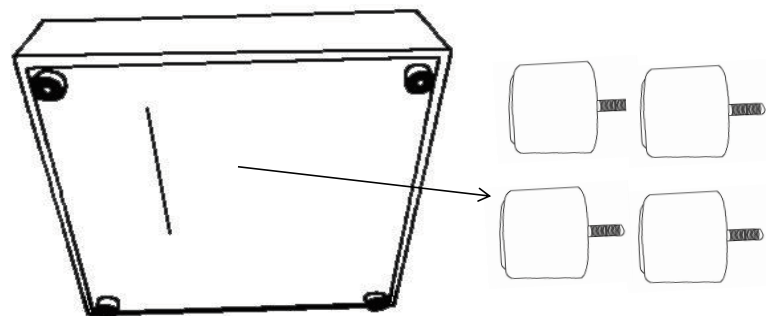
5 MINUTES

PARTS IDENTIFICATION

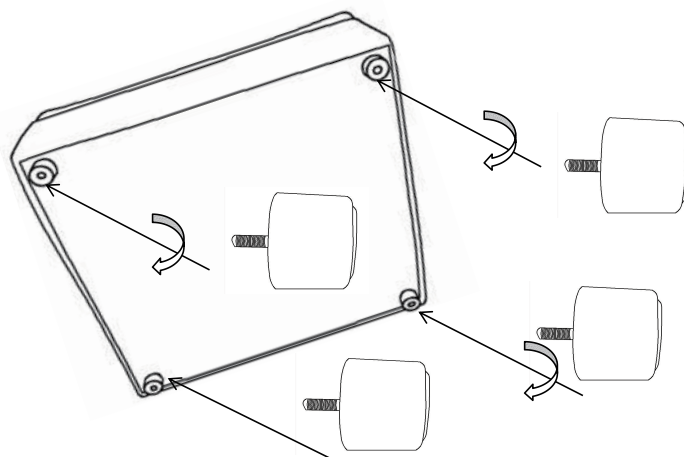
	PART NAME	FIGURE	QUANTITY
I	RAF ARMLESS CHAIR BASE		1PC
J	LEG		4PCS
K	PILLOW		1PC
L	ARM PILLOW		1PC

ASSEMBLY INSTRUCTIONS

STEP 1



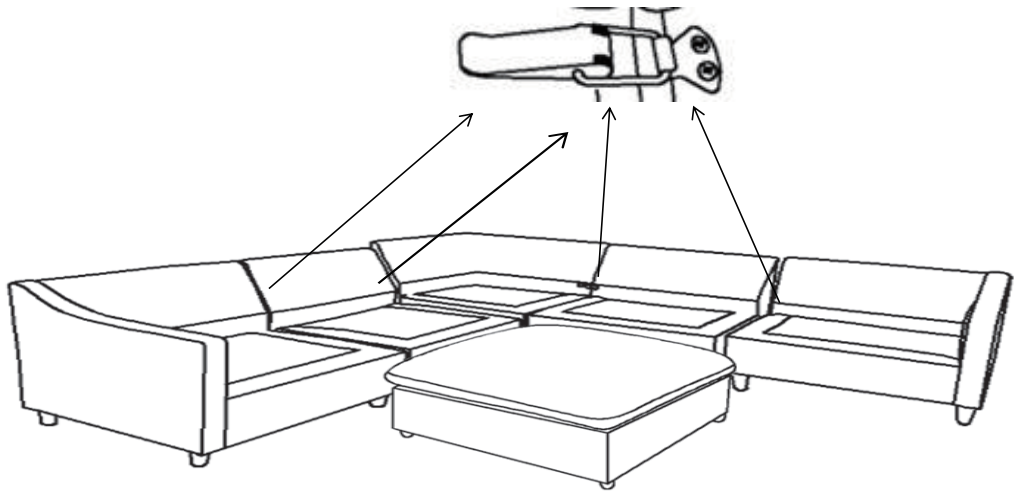
STEP 2



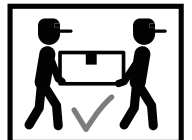
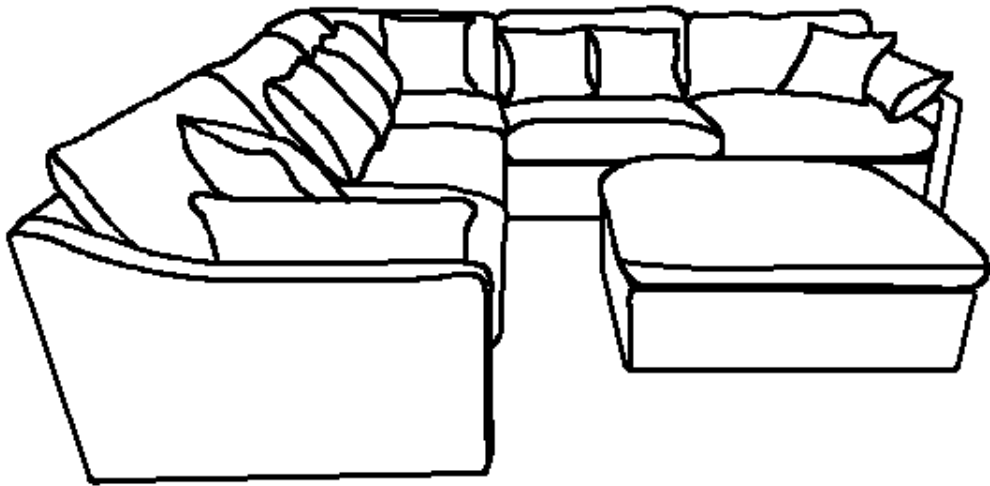
STEP 3

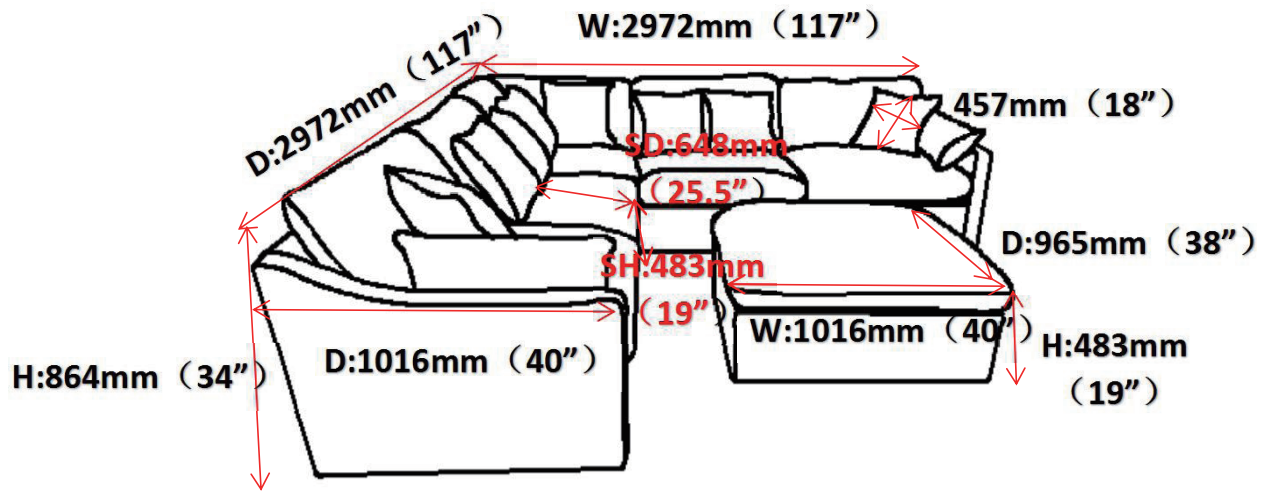


ASSEMBLY INSTRUCTIONS
STEP 1



STEP 2





Note : Dimension tolerance $\pm 5\%$

ASSEMBLY INSTRUCTIONS



LAF CHAIR

ASSEMBLY INSTRUCTIONS

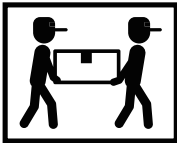
ASSEMBLY TIPS:

1. Remove hardware from box and sort by size.
2. Please check to see that all hardware and parts are present prior to start of assembly.
3. Please follow attached instructions in the same sequence as numbered to assure fast & easy assembly.



WARNING!


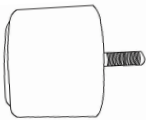
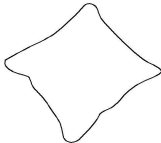

1. Don't attempt to repair or modify parts that are broken or defective. Please contact the store immediately.
2. This product is for home use only and not intended for commercial establishments.



ASSEMBLY TIME

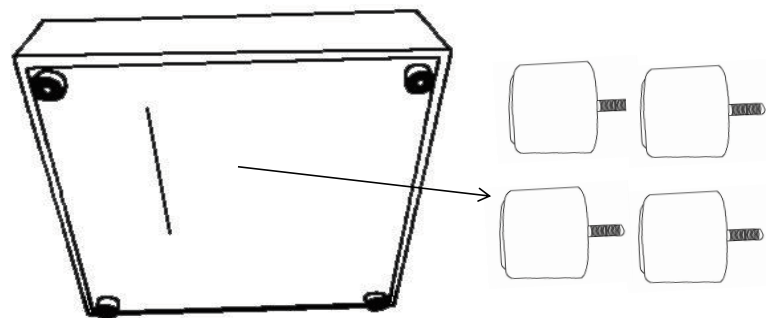
5 MINUTES

PARTS IDENTIFICATION

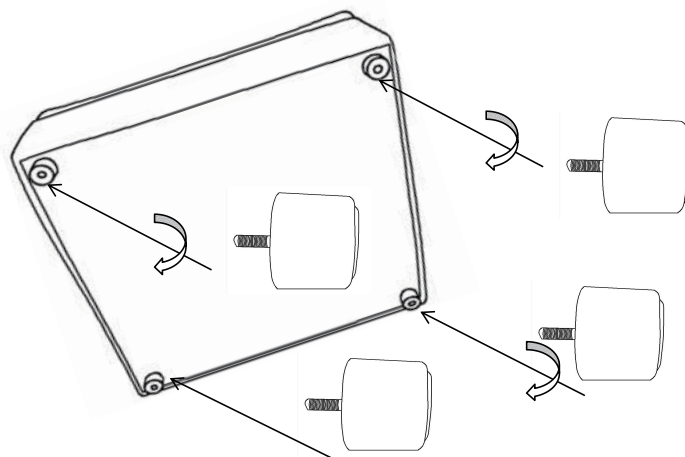
	PART NAME	FIGURE	QUANTITY
M	LAF CHAIR		1PC
O	LEG		4PCS
P	PILLOW		1PC
Q	ARM PILLOW		1PC

ASSEMBLY INSTRUCTIONS

STEP 1



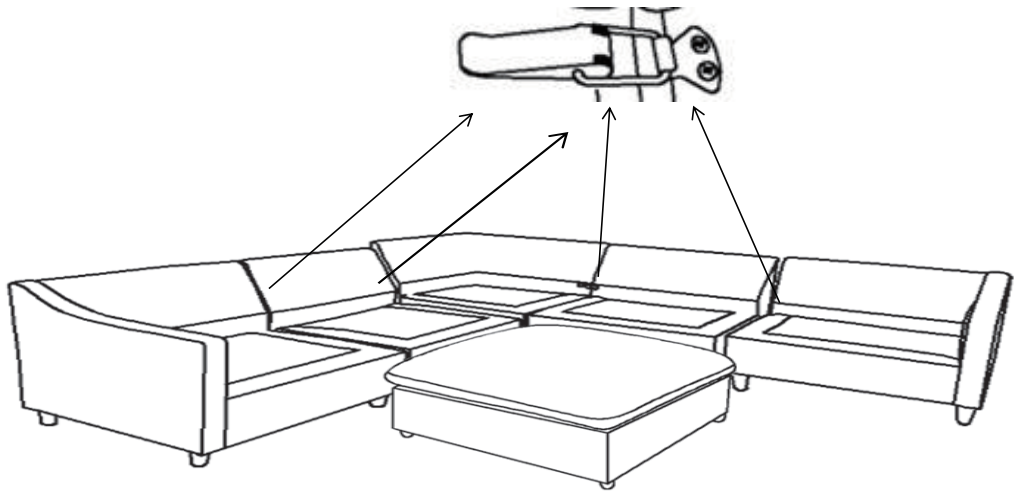
STEP 2



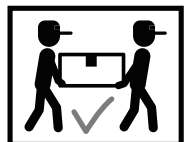
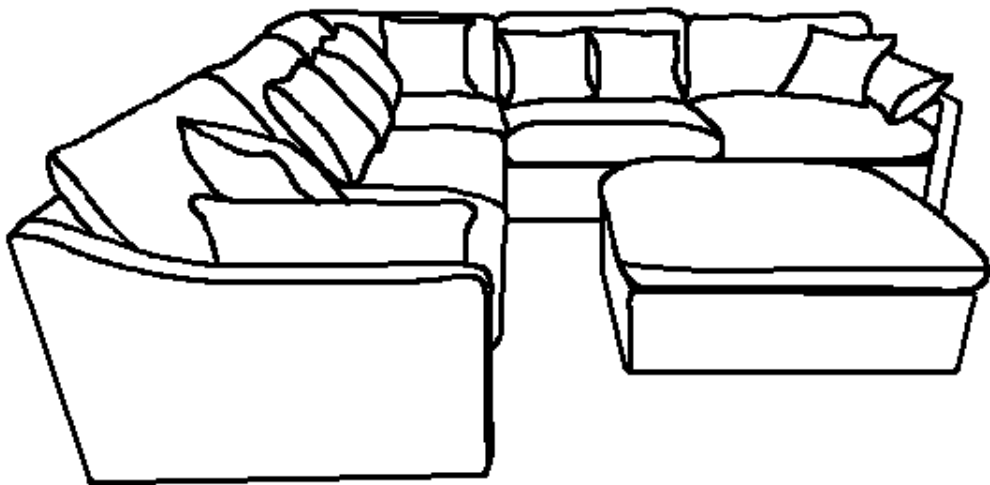
STEP 3

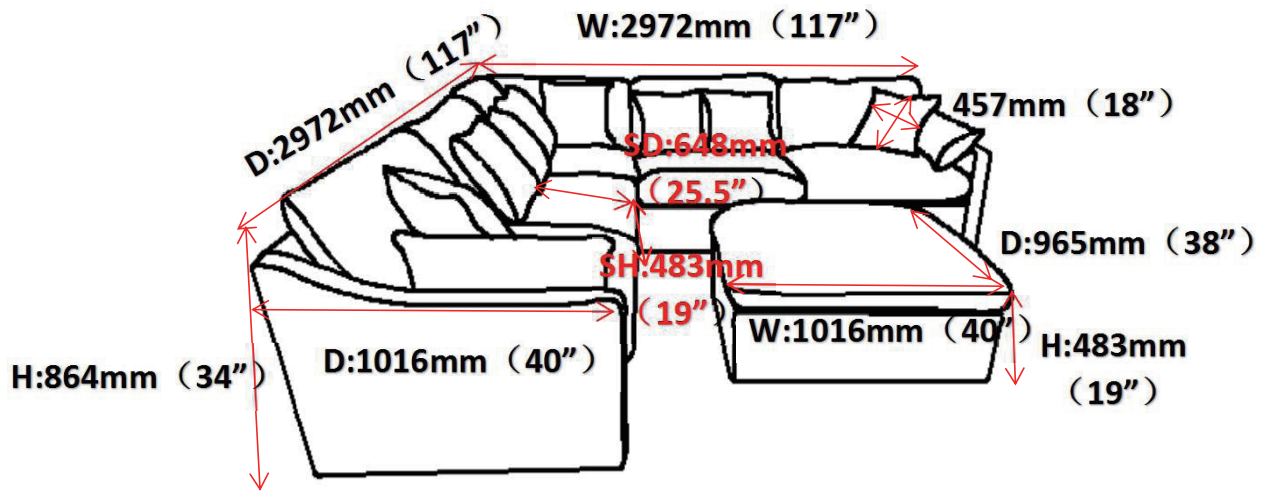


ASSEMBLY INSTRUCTIONS
STEP 2



STEP 1





Note : Dimension tolerance $\pm 5\%$