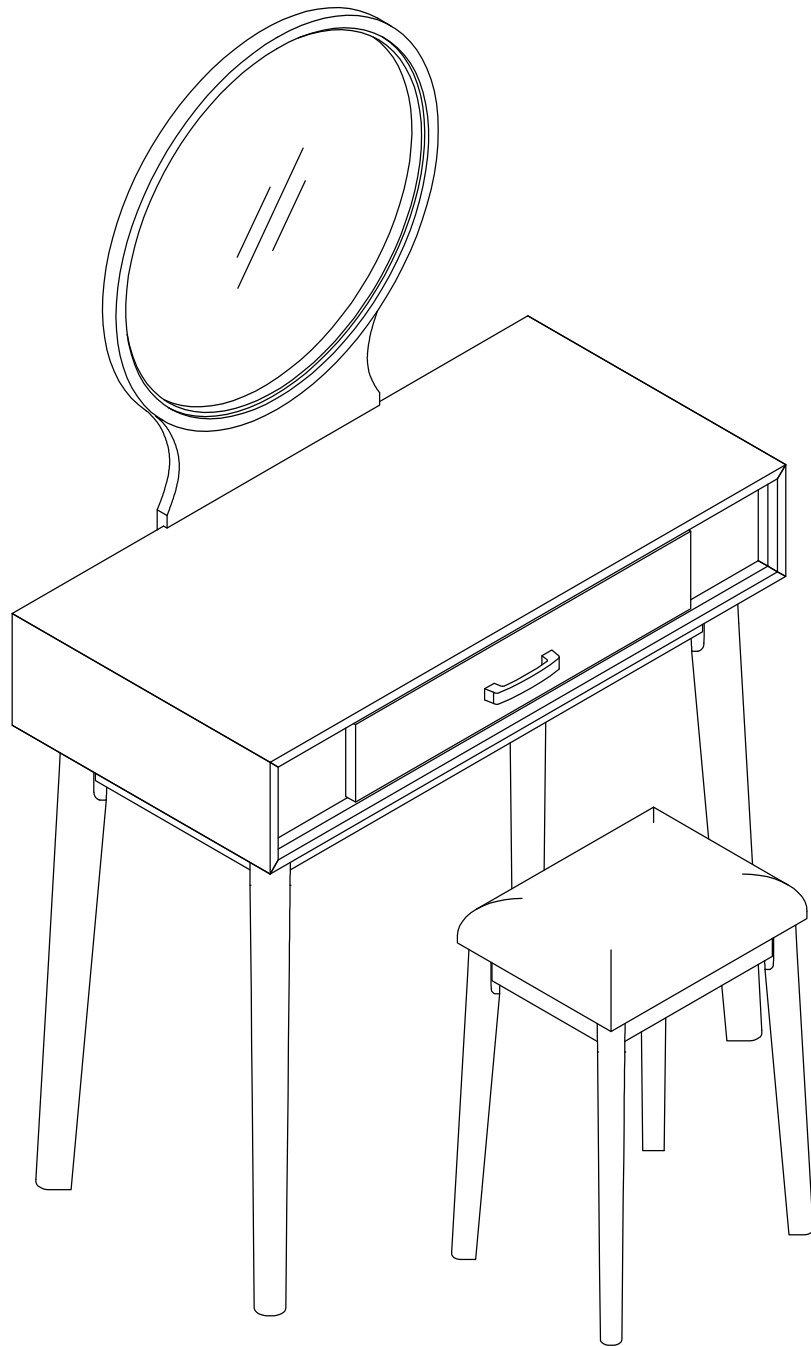
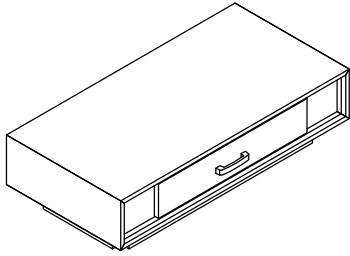


ASSEMBLY INSTRUCTIONS

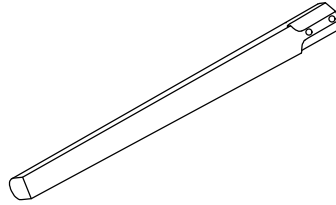


Parts List

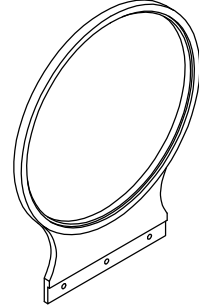
Ax1



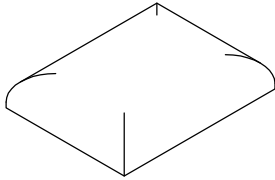
Bx4



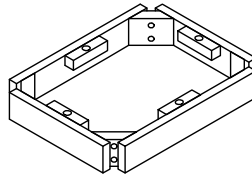
Cx1



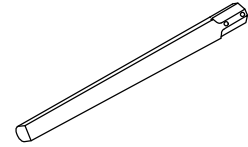
Dx1



Ex1

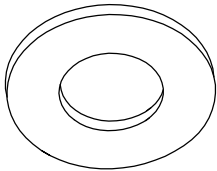


Fx4

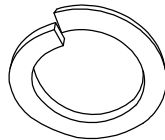


Hardware List

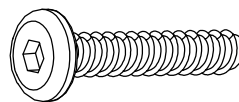
Gx19



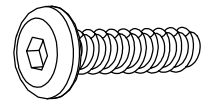
Hx19



Ix16



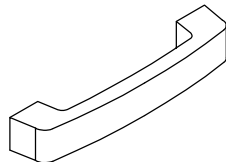
Jx3



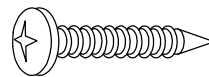
Kx2



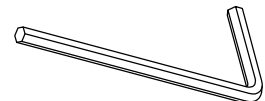
Lx1



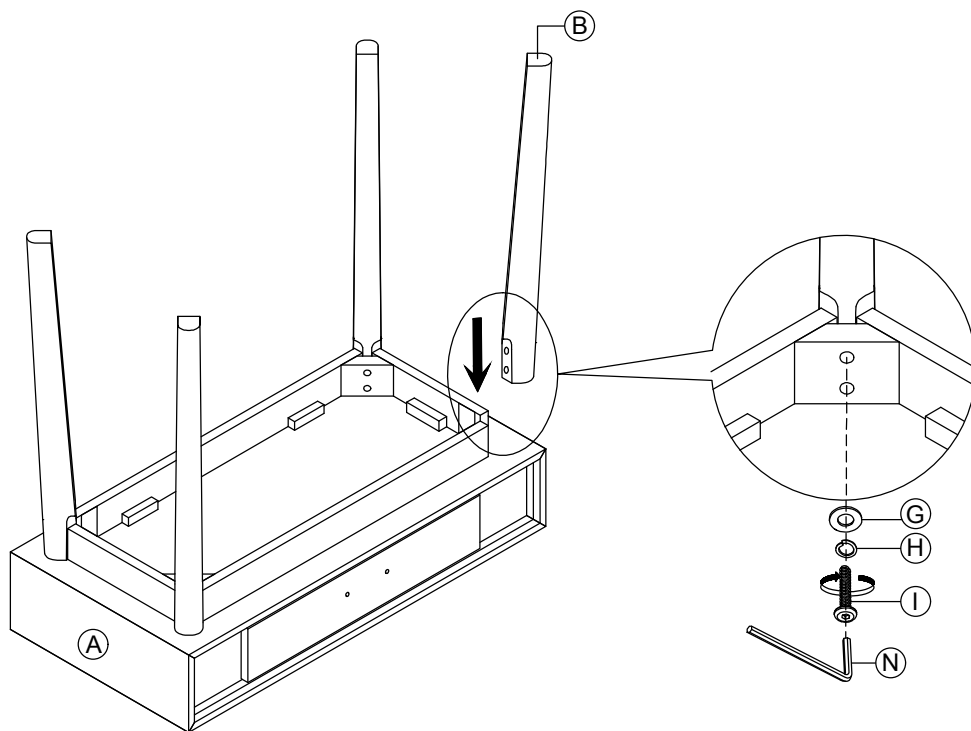
Mx4



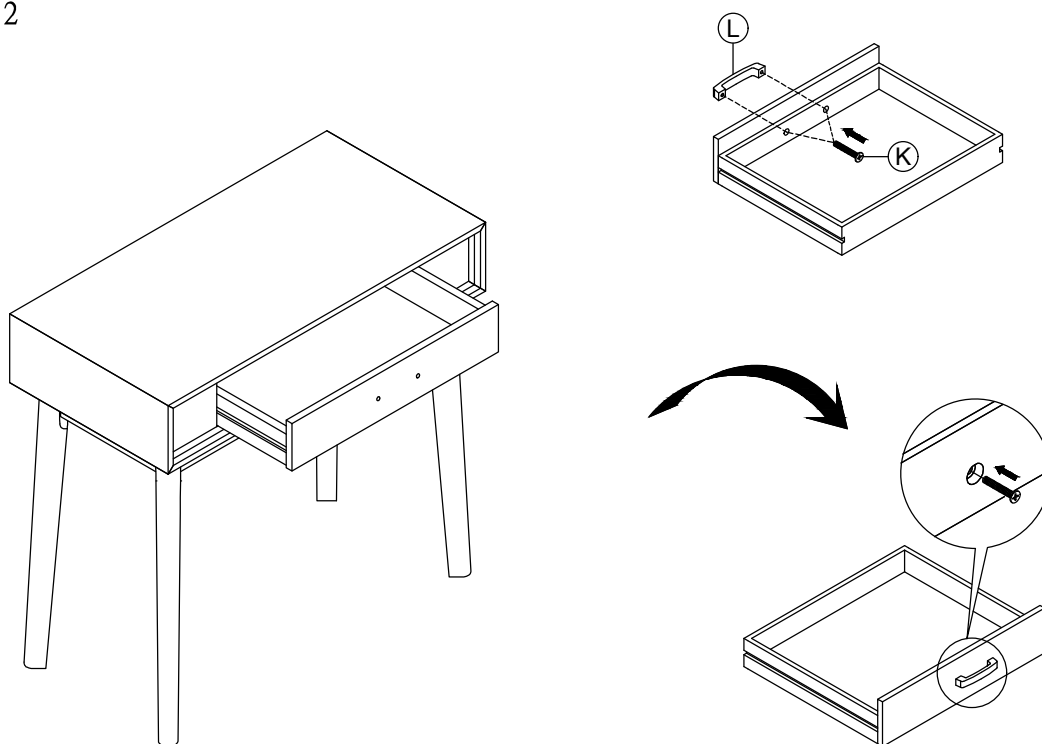
Nx1



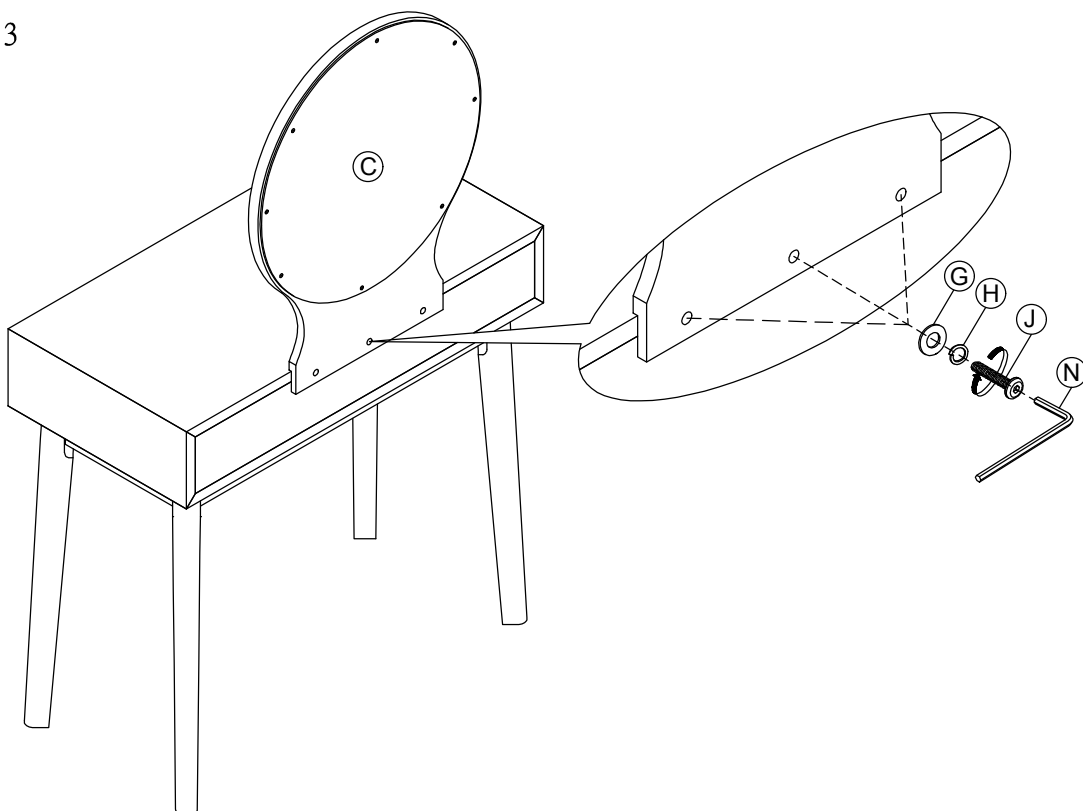
STEP 1



STEP 2



STEP 3



STEP 4

