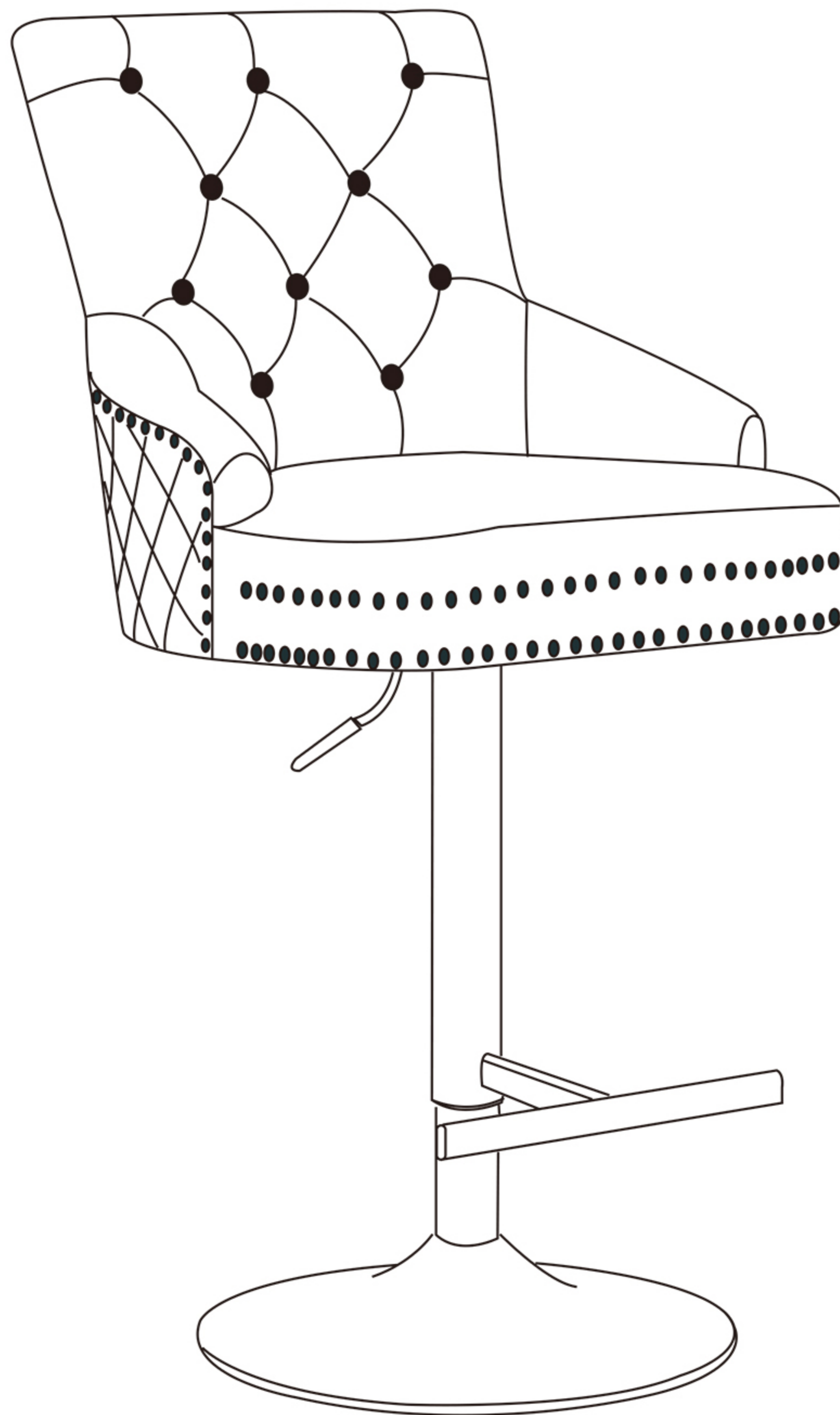


ASSEMBLY INSTRUCTION



SKU: 5304A

Dear customer,

Thank you very much for buying our items. Please read the assembly instruction carefully before assembly.

Notices:

- Verify that all parts are present and in good condition before assembly.
- Put the barstool on a clean flat surface.

Contact us

If there are installation problems, damage, missing parts, or any questions and concerns, please contact the shop where you bought it so we can make things right.

If the product is damaged, please send the following information:

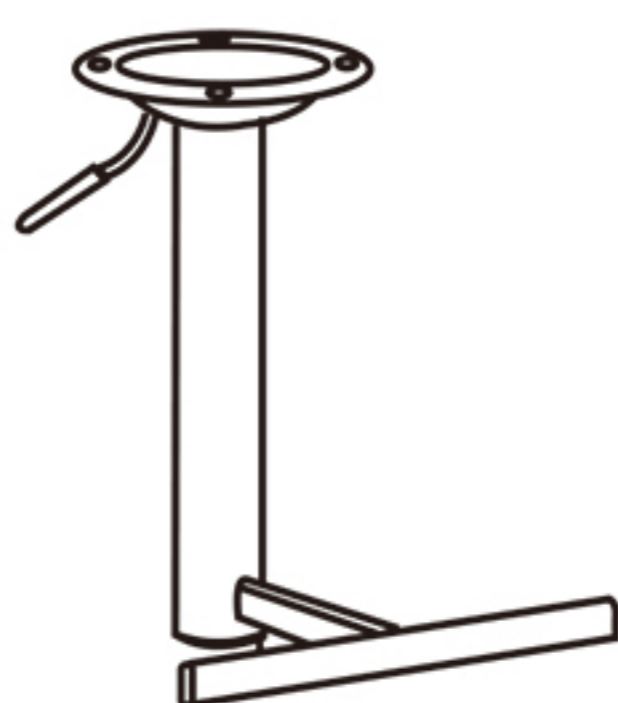
- Photos that show the reason for your claim/damage.
- Photos of the packaging (inside and outside).

Thank you very much for your support!

Package Contents



Seat



Footrest

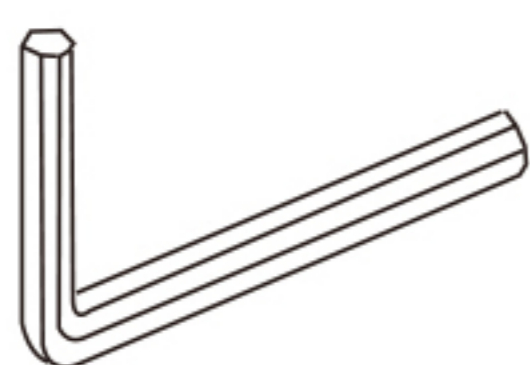


Gas Cylinder



Base

A × 1



M6

Spanner

B × 4

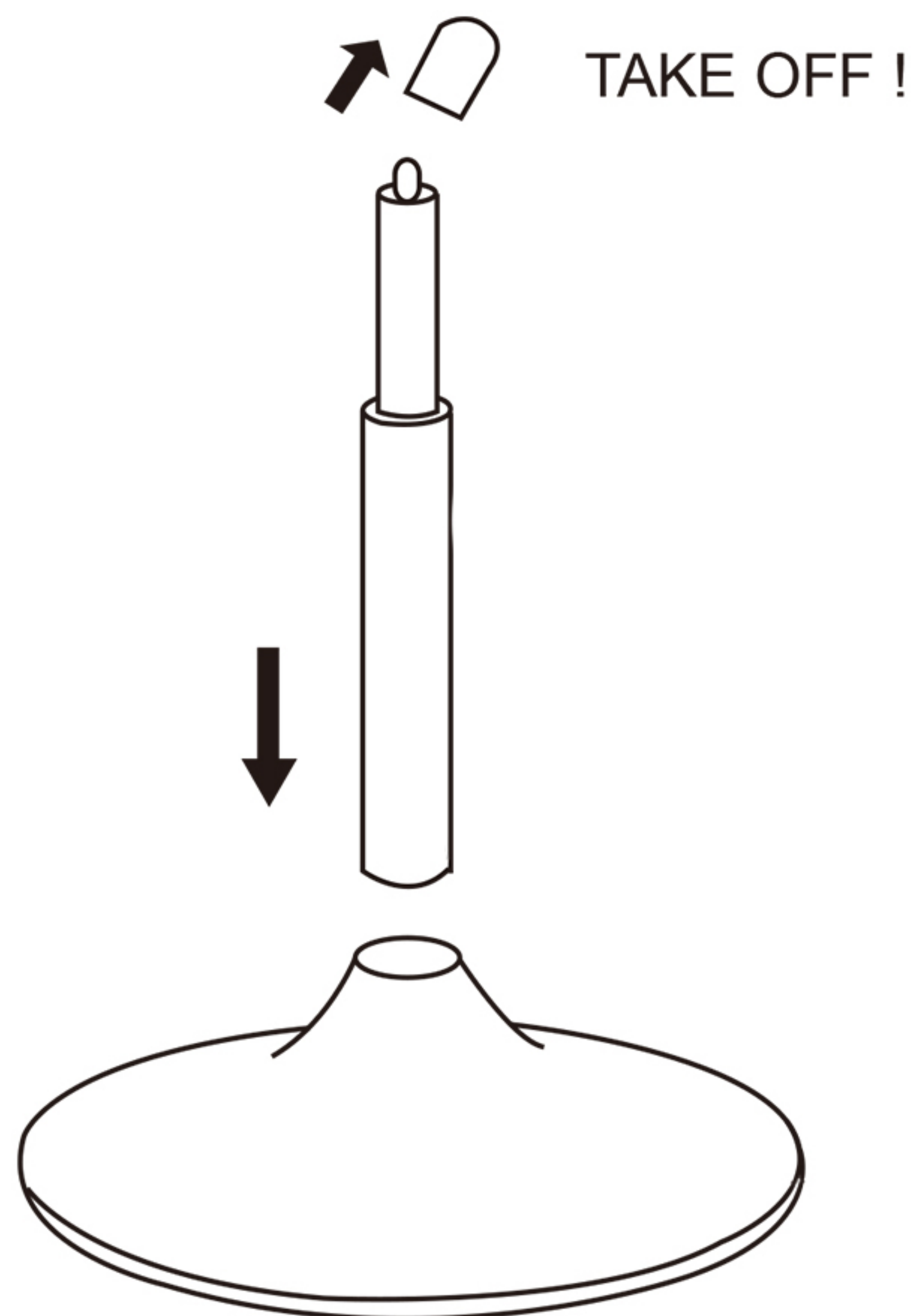


M6x20MM

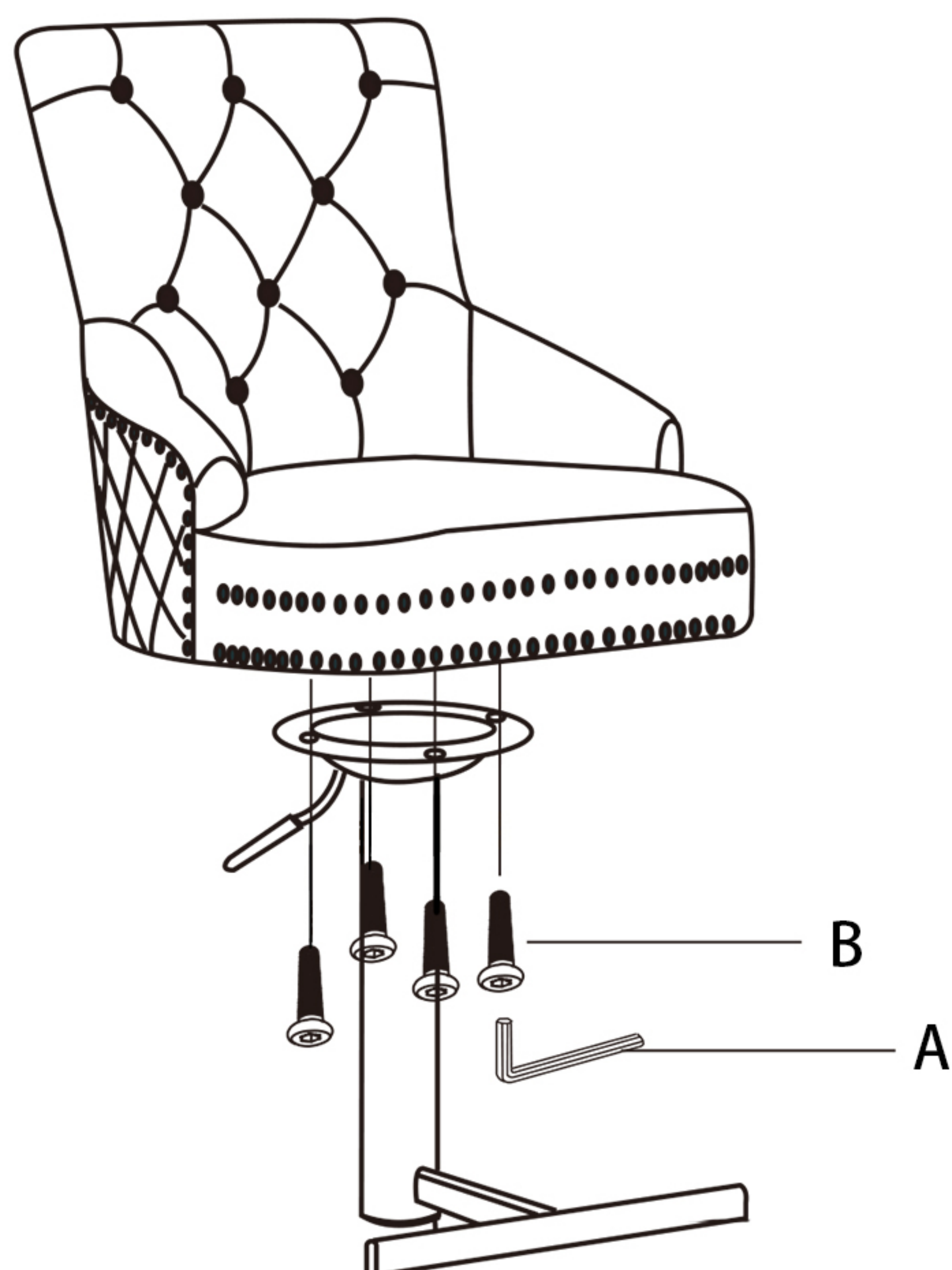
Screws

Step by Step Guide

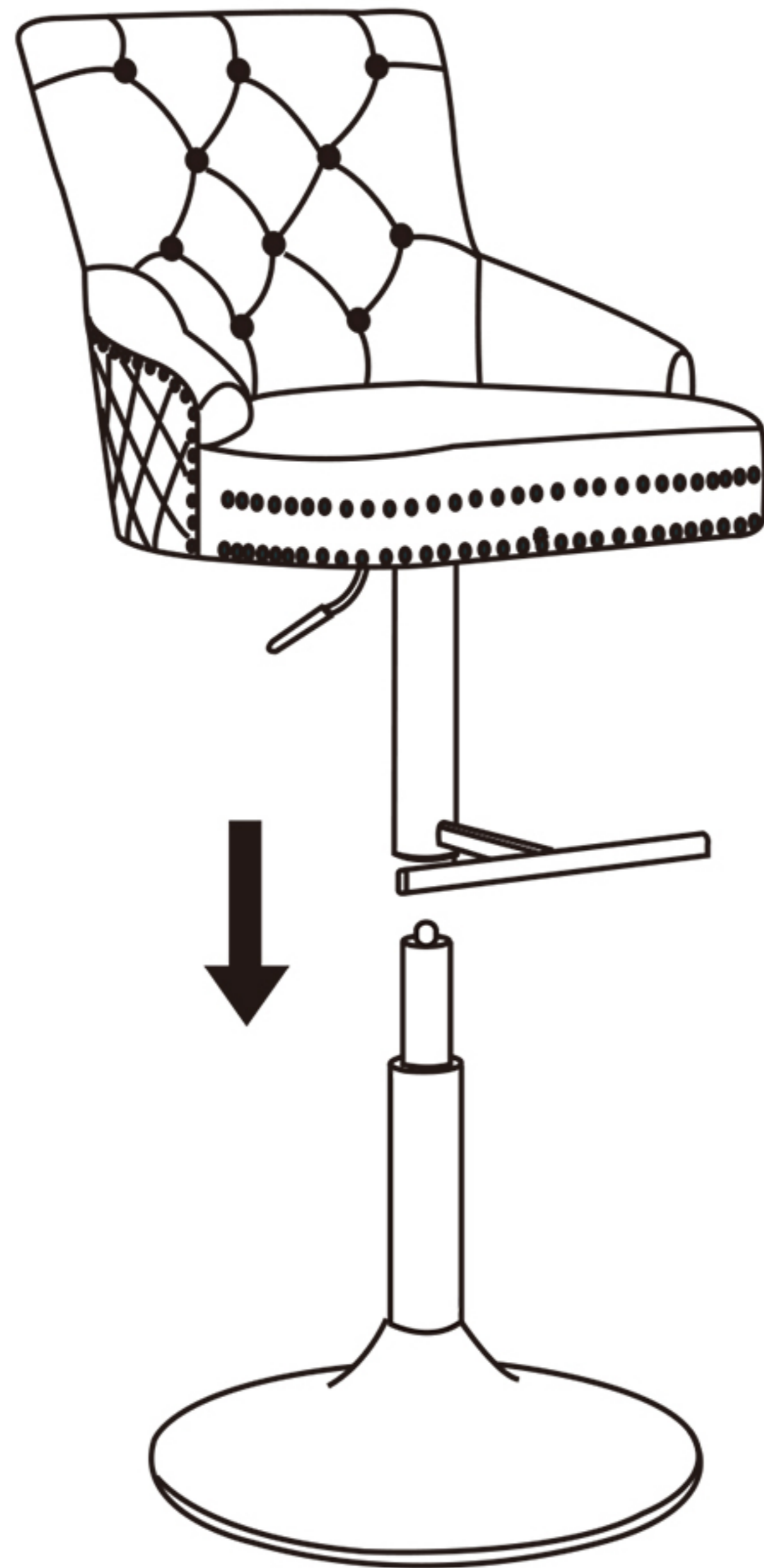
- 1 Take off the Protective Shell! Put the gas cylinder and the base together.



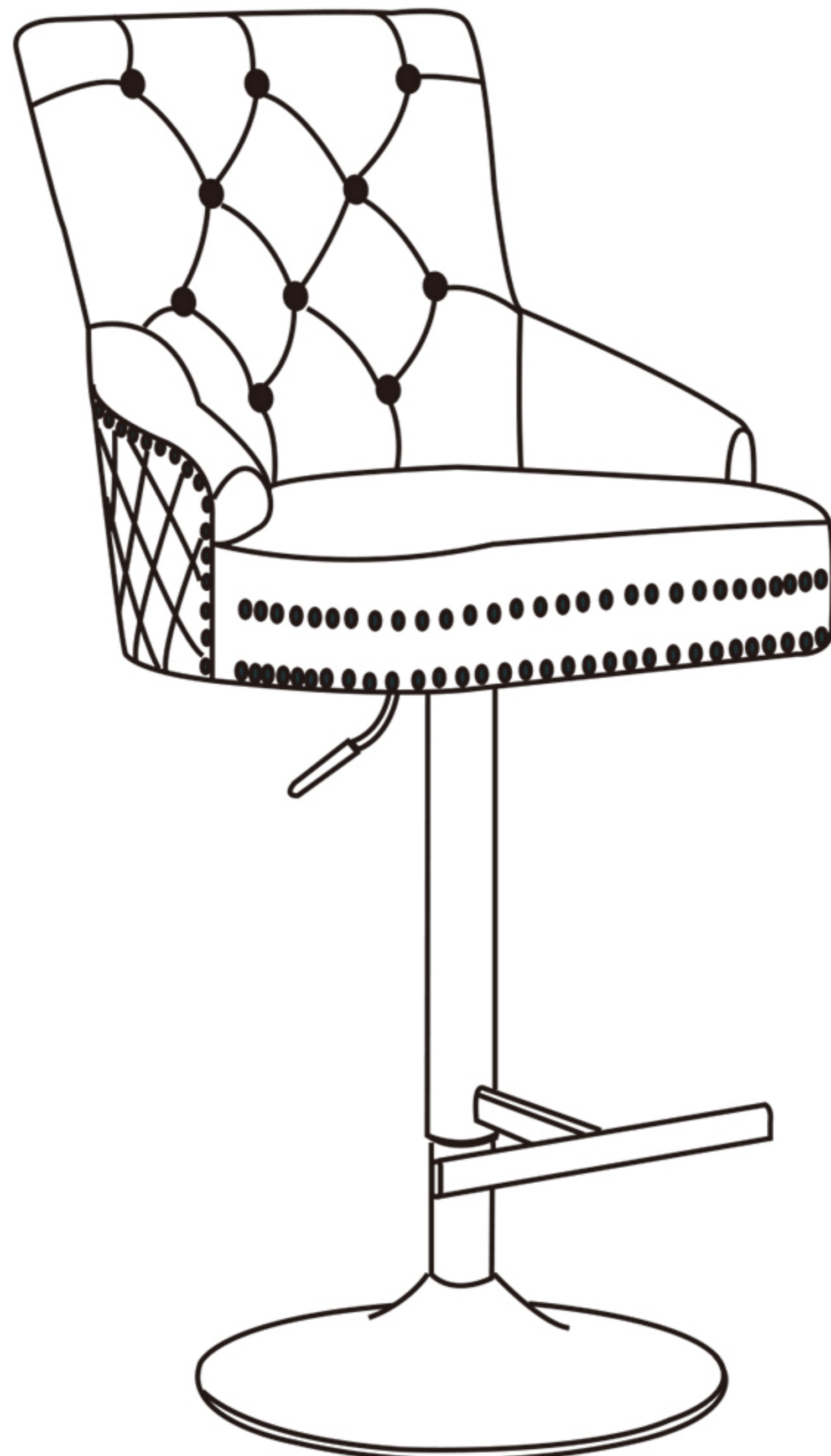
- 2 Take the footrest to align the holes of the seat by using screws (B). Tighten all screws up to 100%.

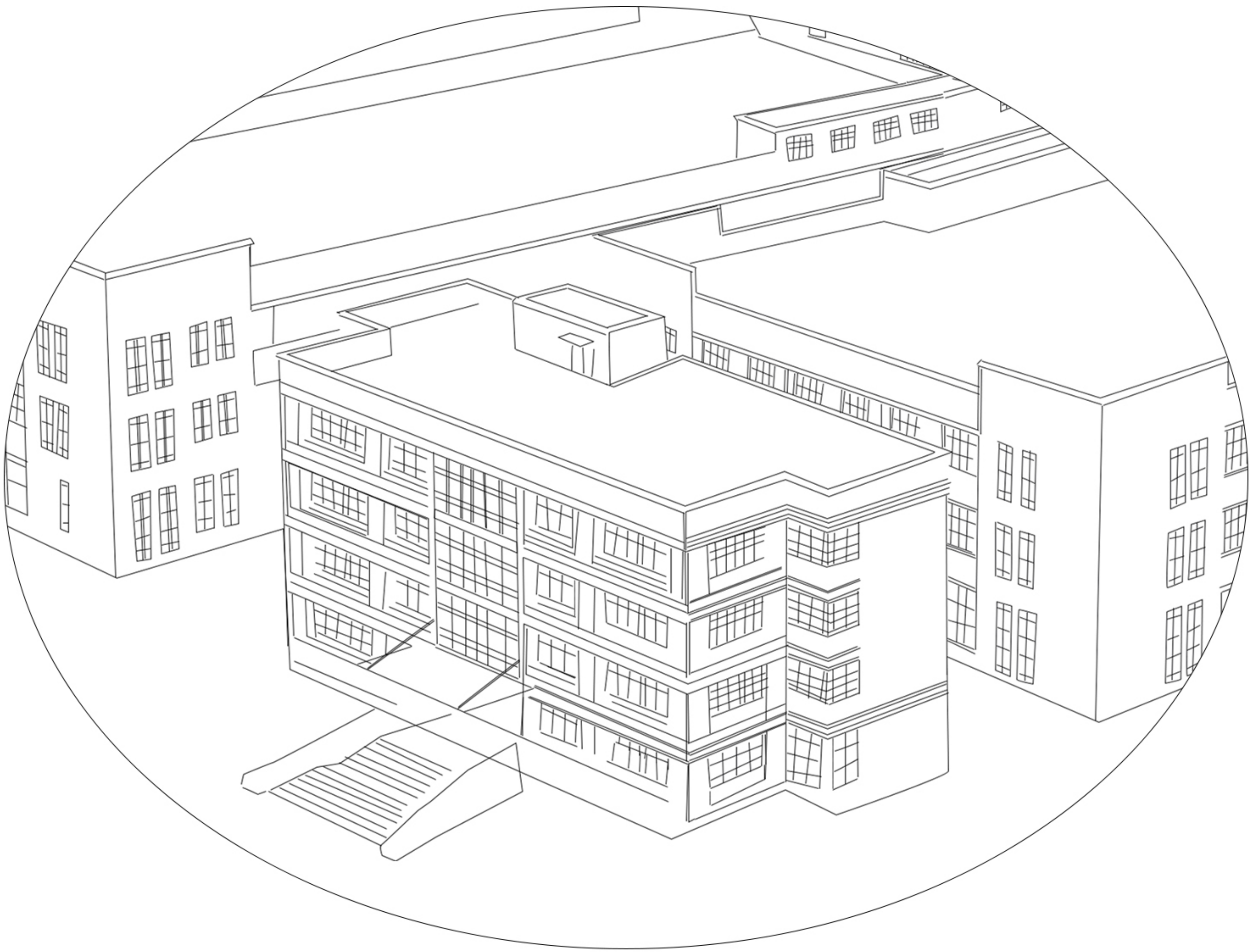


- 3** Dock the seat and base together.



- 4** Sit on the barstool, and be sure that it can be lifted up and down.





About us

We are a professional manufactory for making and selling dining chairs. In the past 15 years, we have exported millions of chairs to Europe and USA.

We focus on providing you with high-quality products that meet international standards. To ensure timely shipping, we have built large warehouses in California, New York, and Georgia.