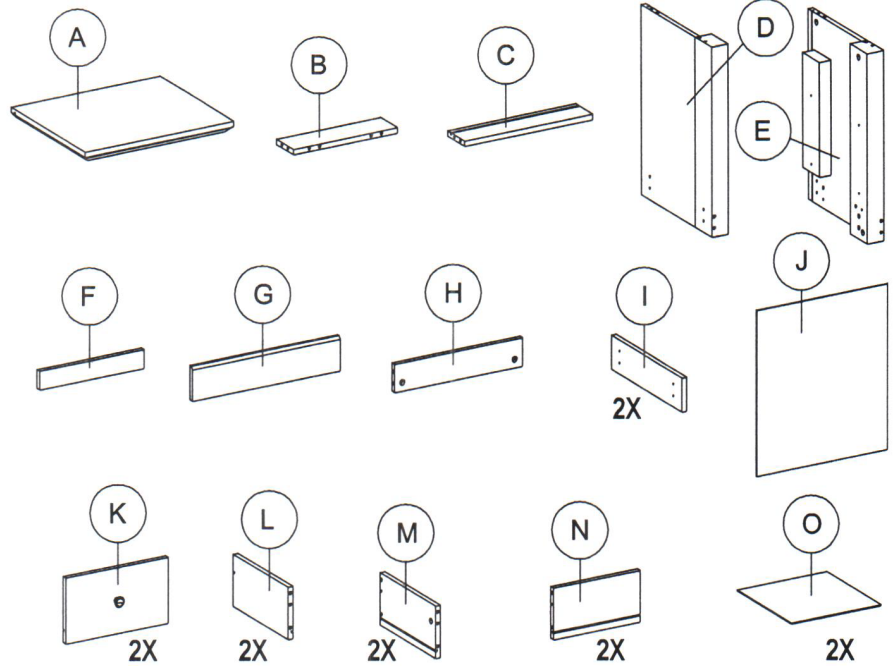















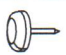
NIGHTSTAND ASSEMBLY INSTRUCTIONS

PARTS PACKING CONFIGURATIONS

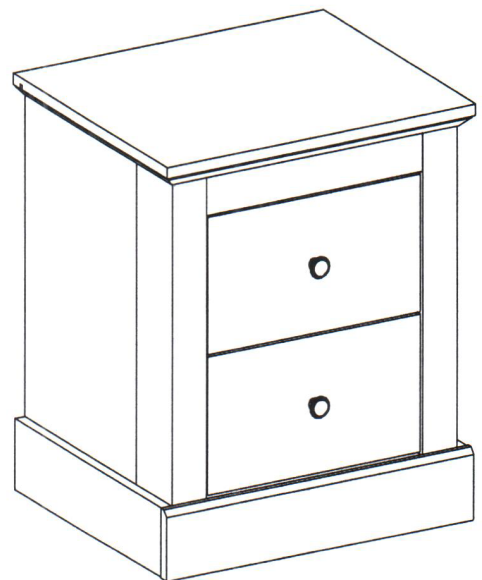
- A TOP
- B BOTTOM PANEL
- C BOTTOM SUPPORT PANEL
- D SIDE PANEL - L
- E SIDE PANEL - R
- F APRON
- G FRONT PANEL SUPPORT
- H REAR BOTTOM SUPPORT
- I SIDE PANEL SUPPORT
- J BACK PANEL
- K DRAWER FACE
- L DRAWER SIDE PANEL - L
- M DRAWER SIDE PANEL - R
- N DRAWER REAR PANEL
- O DRAWER BASE



HARDWARE PACKED IN BOX

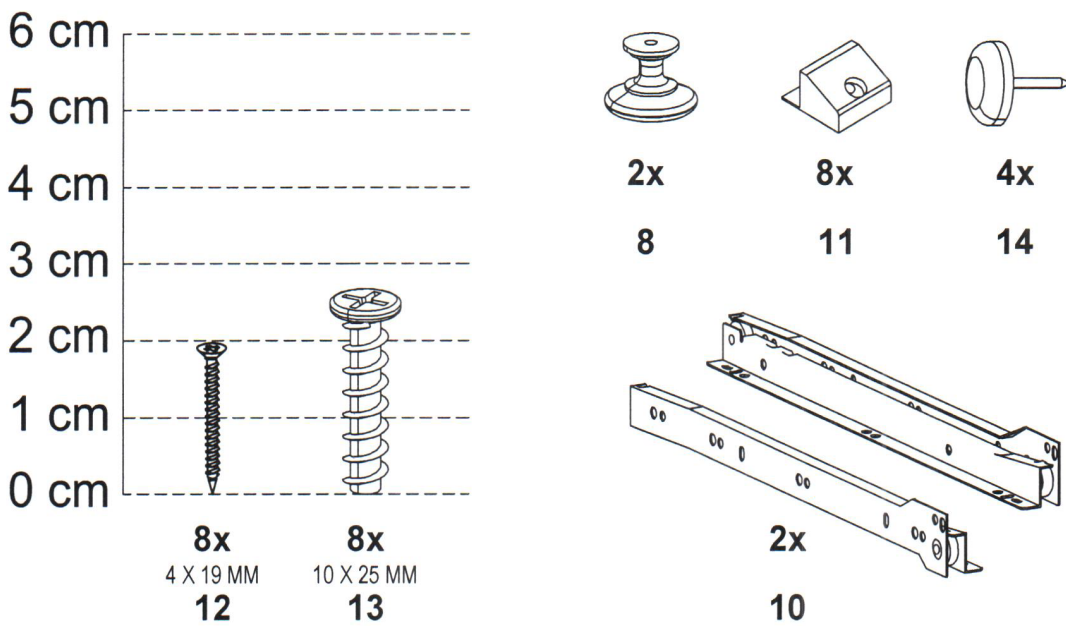
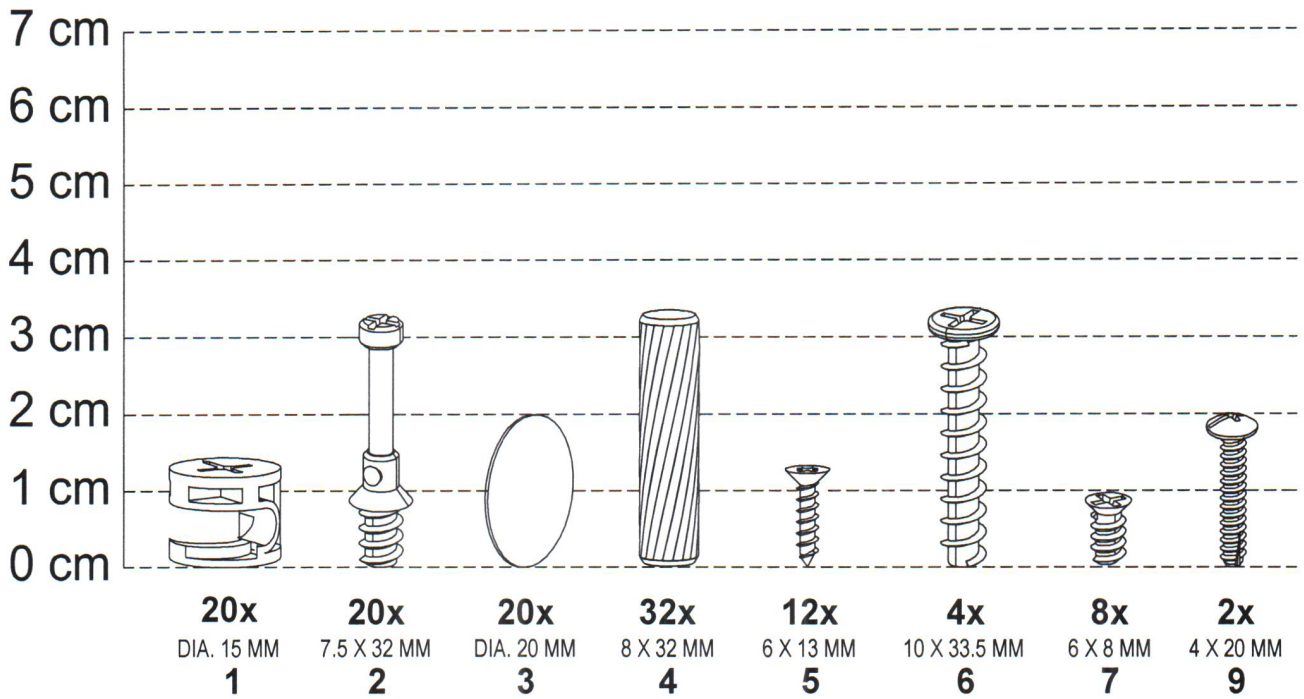
No	Description	Photo	Quantity
1	CAM LOCK		20
2	CAM BOLT		20
3	CAM COVER STICKER		20
4	DOWEL (8 X 32mm)		32
5	FLAT HEAD SCREW (6 X 13mm)		12
6	FLAT HEAD SCREW (10 X 33.5mm)		4
7	FLAT HEAD SCREW (6 X 8mm)		8
8	KNOB		2
9	PAN HEAD SCREW (4 X 20mm)		2
10	DRAWER GLIDE		2
11	BACK PANEL WEDGE		8
12	FLAT HEAD SCREW (4 X 19mm)		8
13	FLAT HEAD SCREW (10 X 25mm)		8
14	FOOT CAP		4

NIGHTSTAND ASSEMBLED



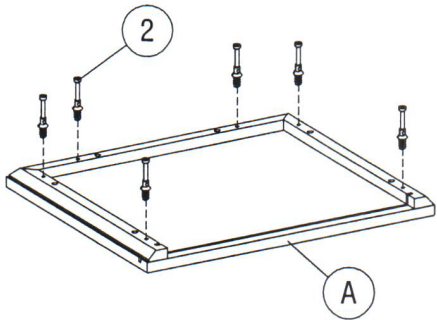
NIGHTSTAND ASSEMBLY INSTRUCTIONS

HARDWARE MEASUREMENT

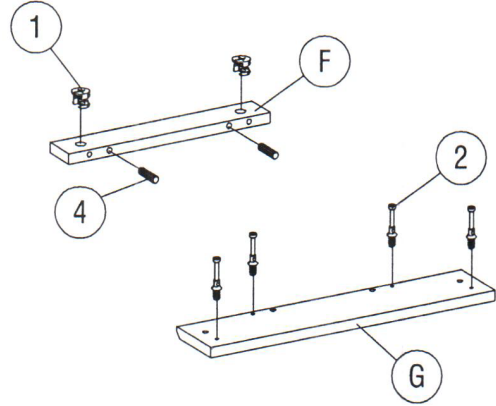


NIGHTSTAND ASSEMBLY INSTRUCTIONS

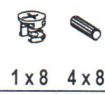
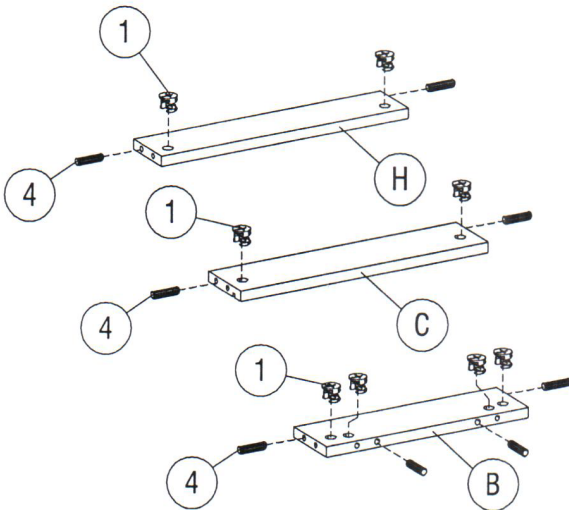
STEP 1:



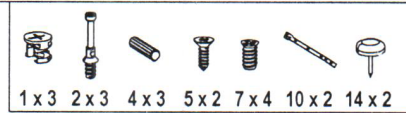
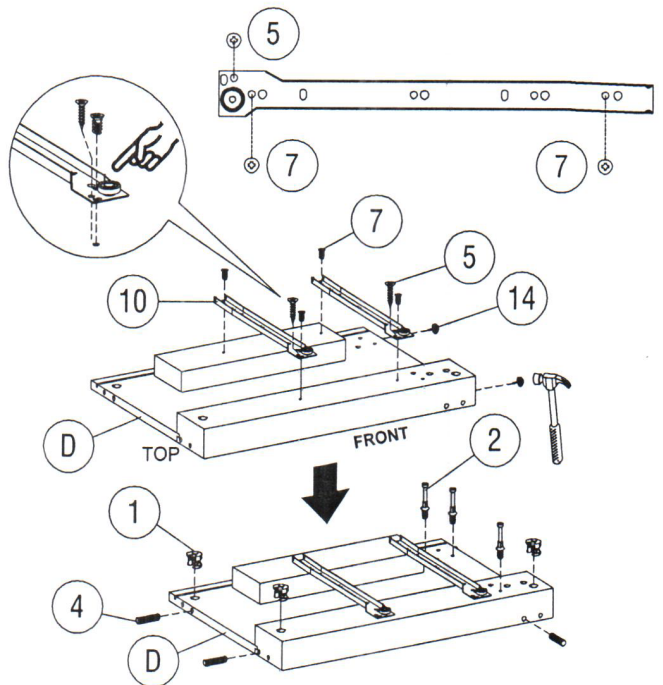
STEP 2:



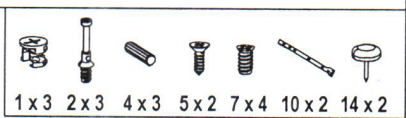
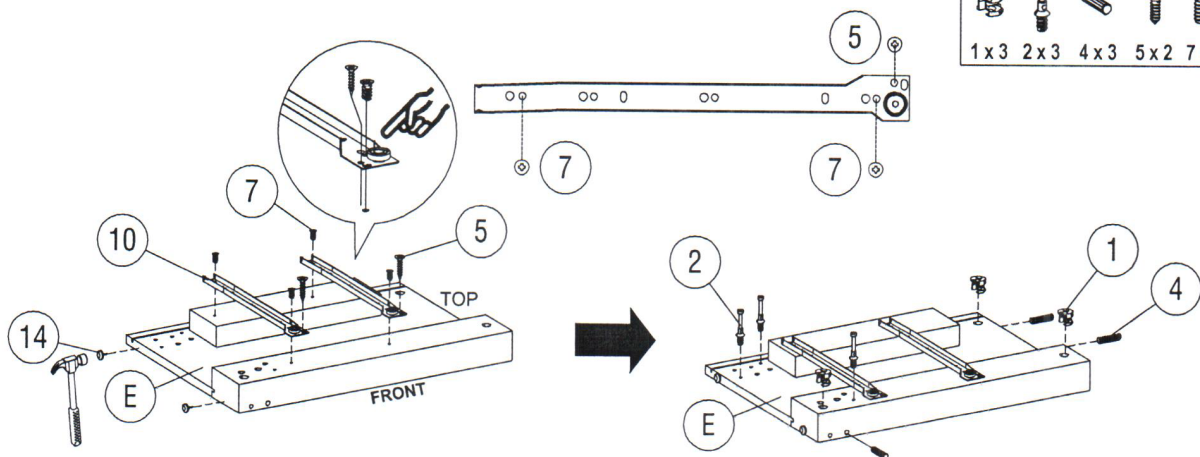
STEP 3:



STEP 4:

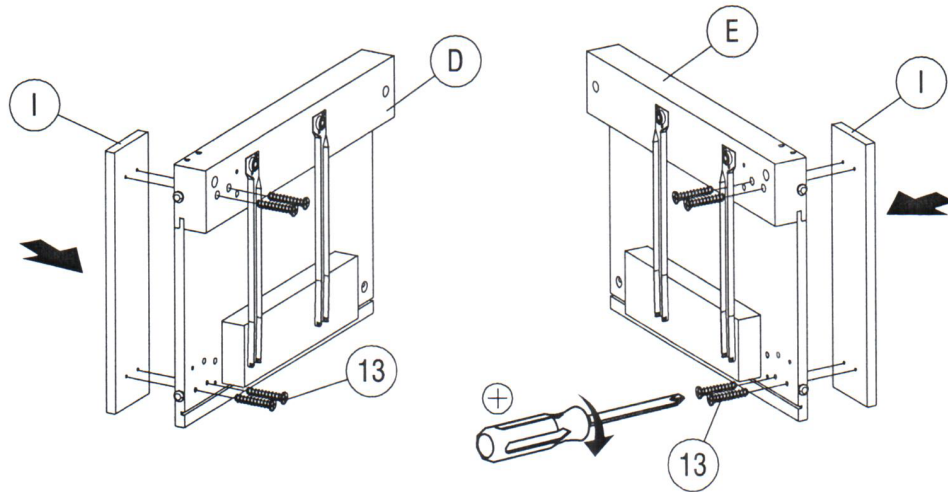


STEP 5:



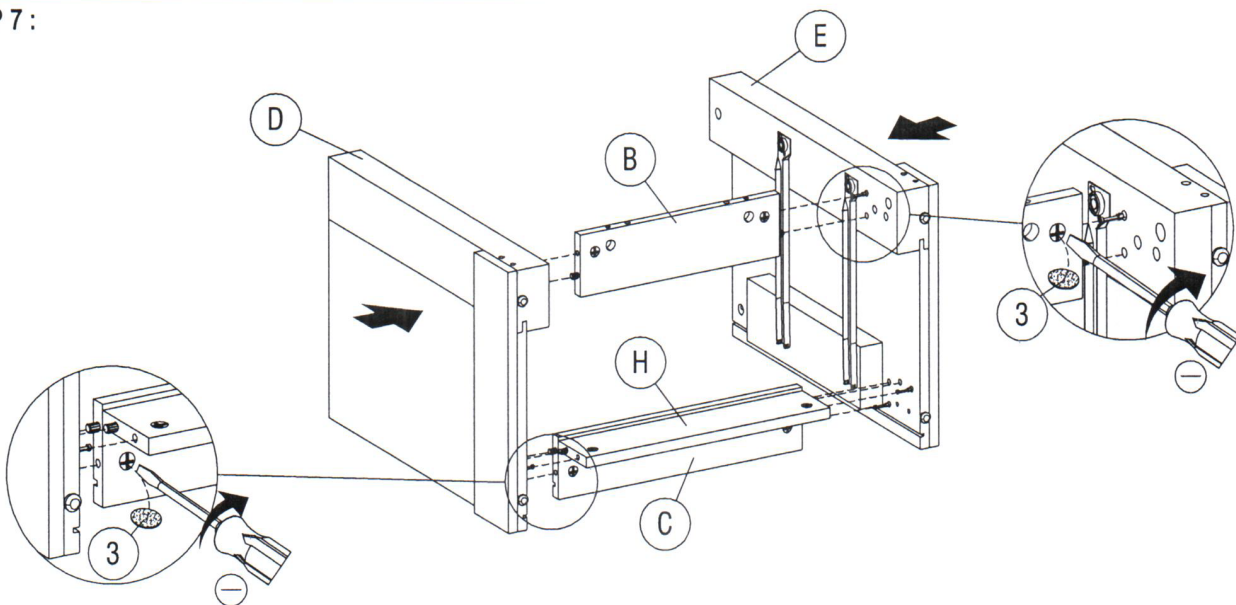
NIGHTSTAND ASSEMBLY INSTRUCTIONS

STEP 6:



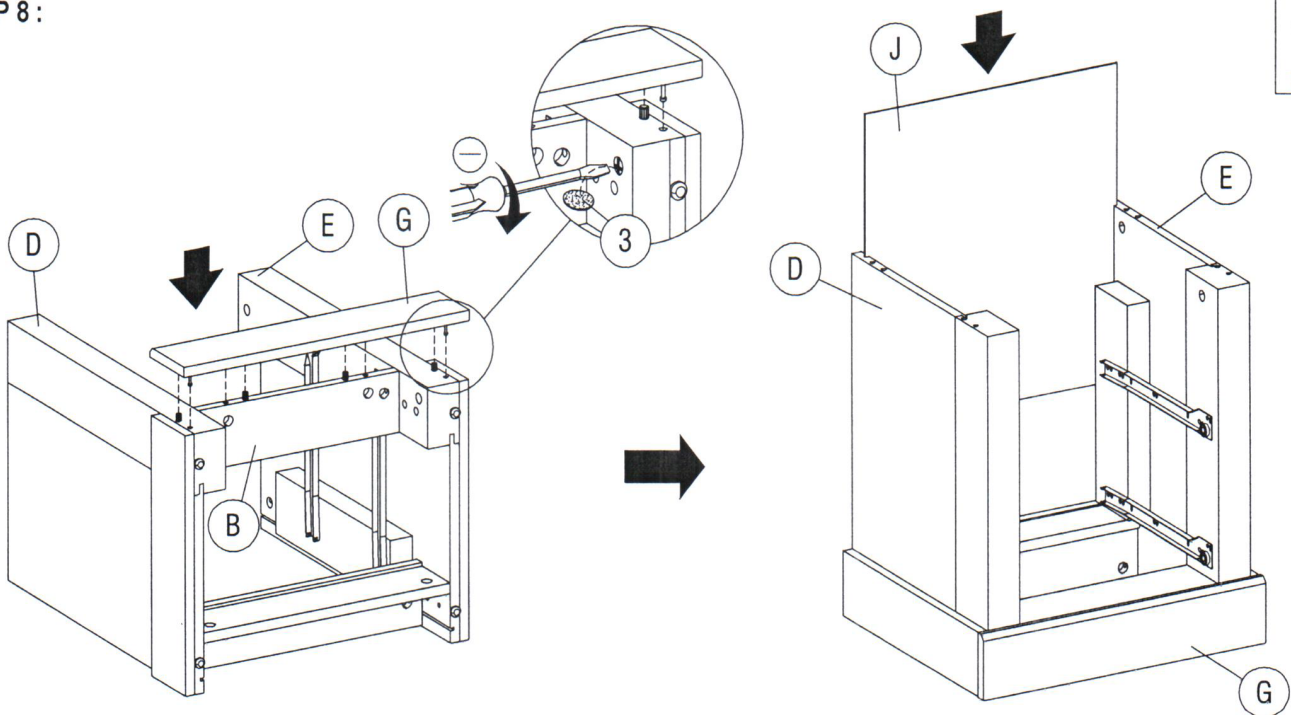
13 x 8

STEP 7:



3 x 6

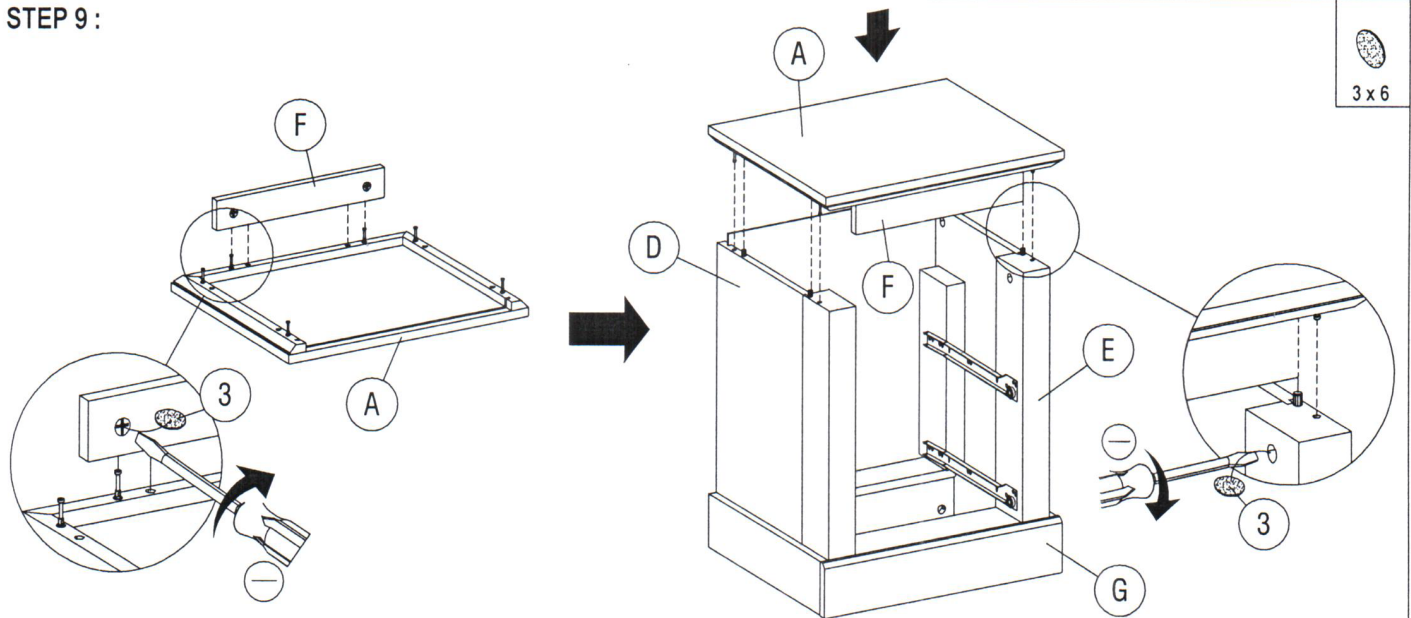
STEP 8:



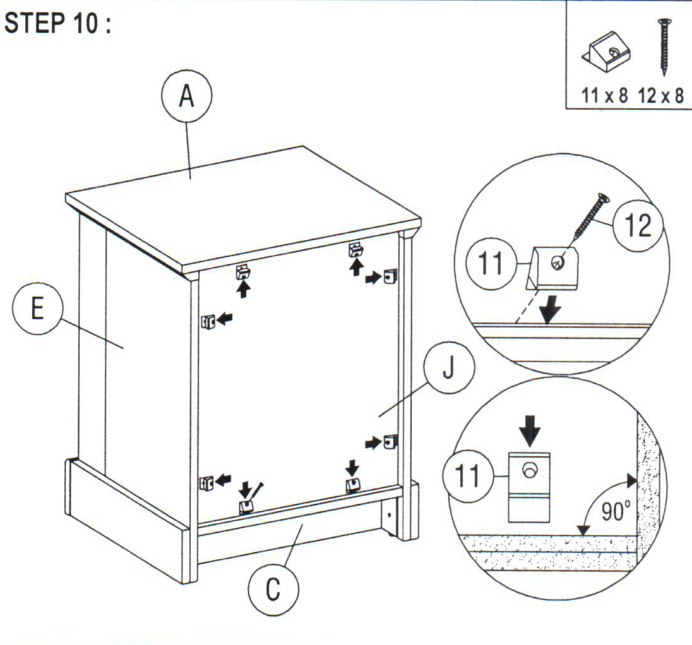
3 x 4

NIGHTSTAND ASSEMBLY INSTRUCTIONS

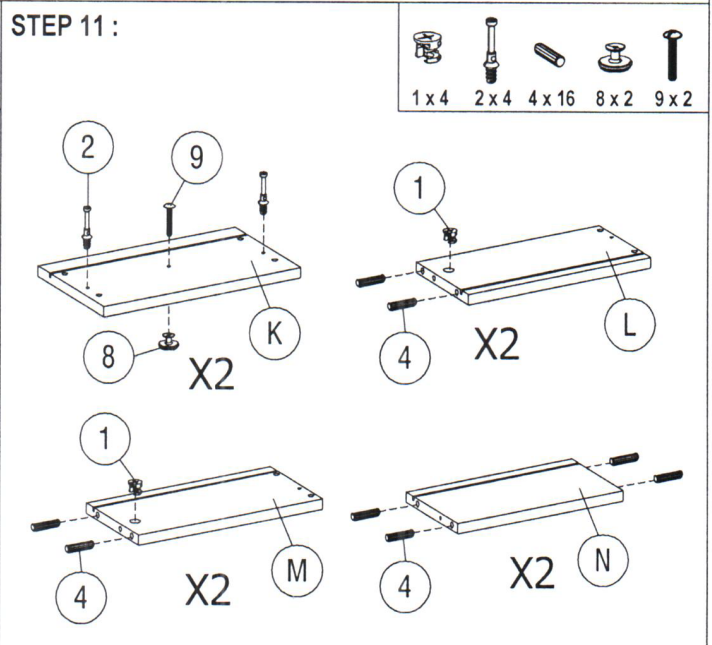
STEP 9:



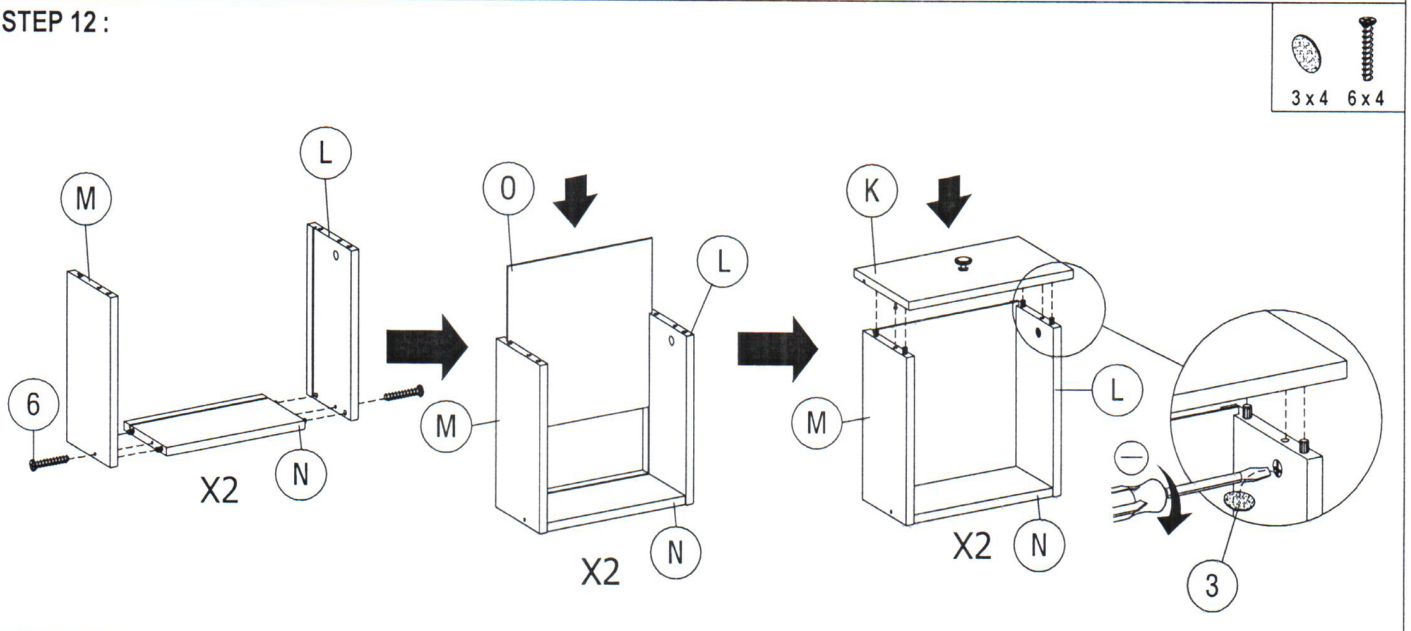
STEP 10:



STEP 11:

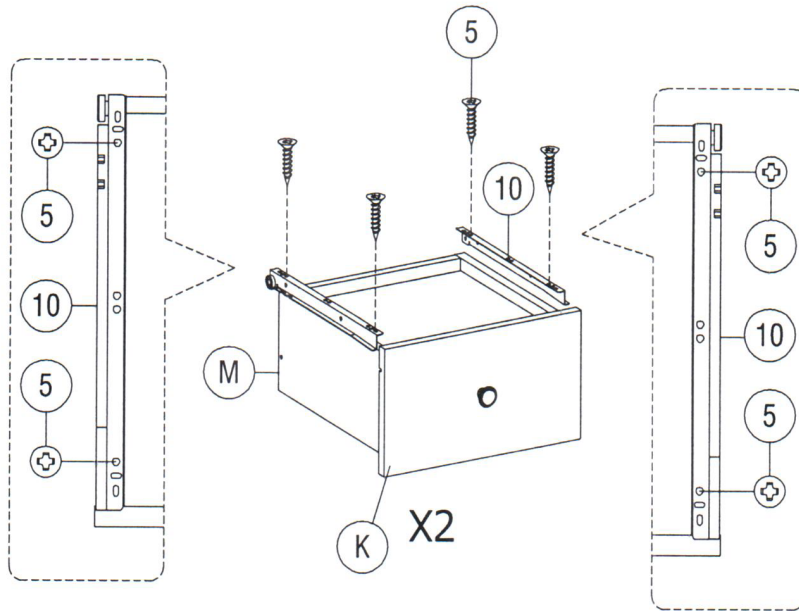


STEP 12:



NIGHTSTAND ASSEMBLY INSTRUCTIONS

STEP 13 :



STEP 14 :

