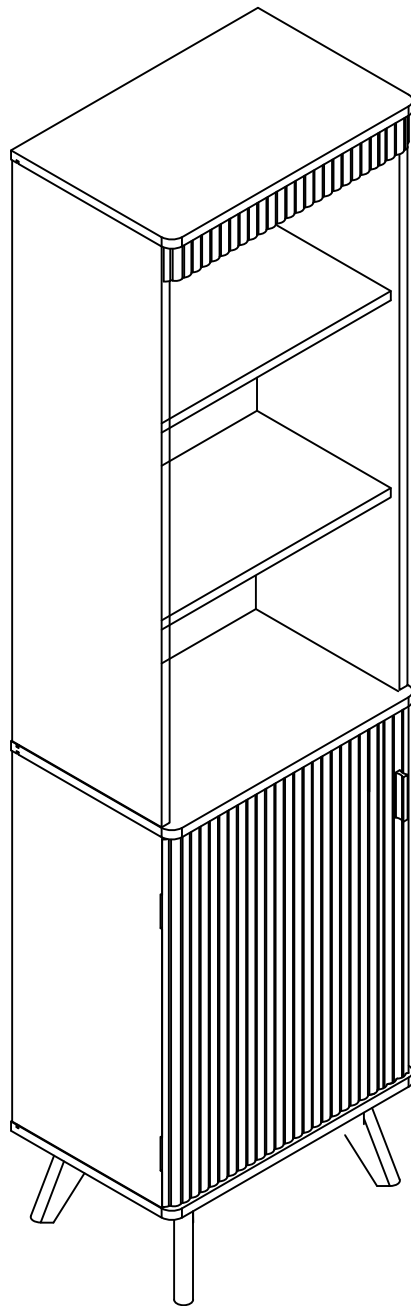


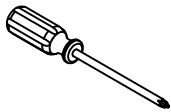
Installation Instruction



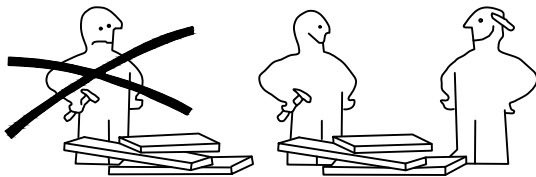
Assembling

What you need

- Use the packaging carton as a working surface to prevent product damage during assembly
- Phillips head screwdriver



Weight Limitation

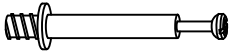


What' included

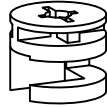
Code	Description	Qty
A	Cam Bolt M6X35MM	31
B	Cam Lock 15X10MM	31
C	Wooden Dowel M6X30MM	24
D	Screw M4X40MM	10
E	Screw M3.5X14MM	2
F	Cam Bolt M7X40MM	4
G	Nylon Strap	2
H	Screw M3.0X12MM	38
I	Hole position sticjer	31
J	The back button	20
K	Screw M4X18MM	2
L	MATS	4
M	Ron absorption	1
N	Metal shake handhandle	1
O	Shelf Holder	4
P	Anchor	2
Q	Wrench M4X55MM	1
R	Hinge	2
S	Metal iron sheet	1
T	Wooden Dowel M8X30MM	4

The Hardwares

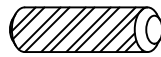
A



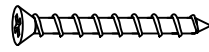
B



C



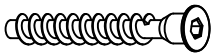
D



E



F



G



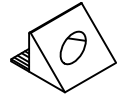
H



I



J



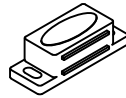
K



L



M



N



O



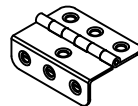
P



Q



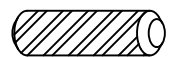
R



S



T



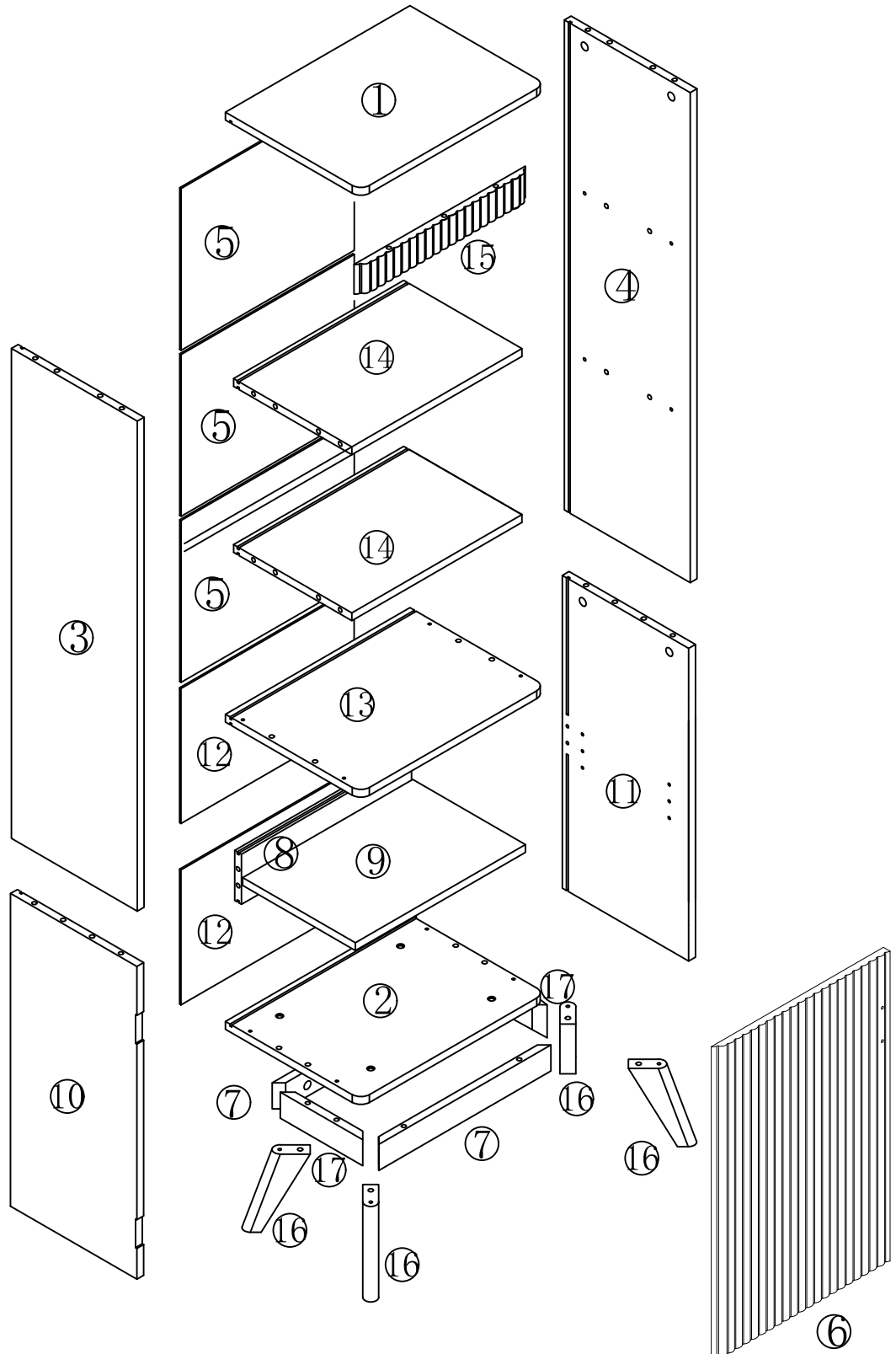
IMPORTANT:

1. Do not tighten bolts / screws completely until all bolts / screws are lined up and inserted into holes.
2. Do not over tighten screws and bolts to avoid stripping
3. Please use hand tools to assemble this product, you can also use power tools (please use power tools carefully)

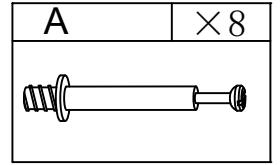
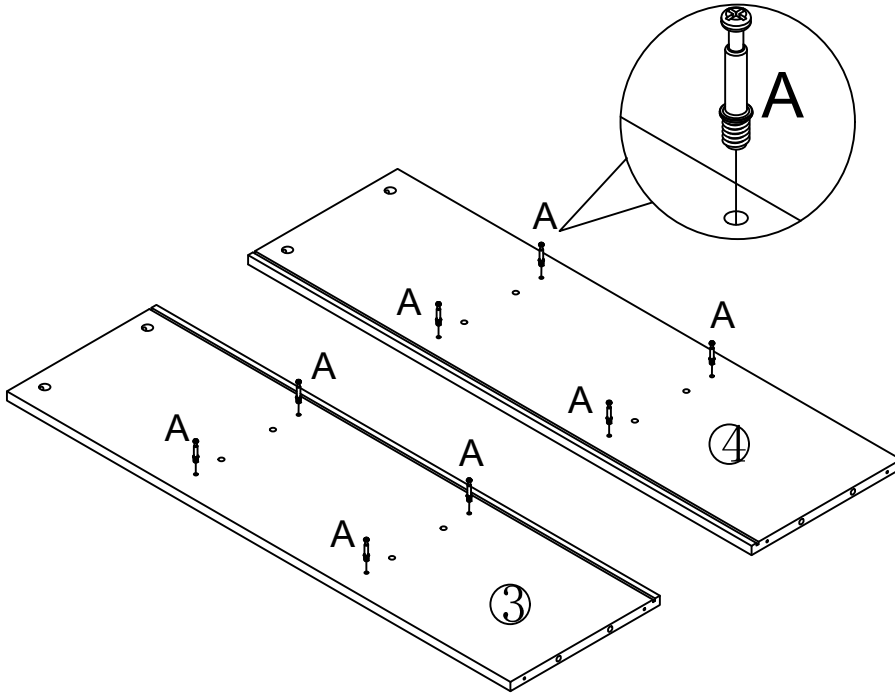
Included Accessories

Code	Description	Qty
1	Cabinet Top	1
2	Bottom Panel	1
3	Top Left Side Panel	1
4	Top Right Side Panel	1
5	Upper backplane	3
6	Door	1
7	Front and rear reinforcement plate	1
8	Bulkhead	1
9	Movable laminated plate	1
10	Left Side Panel	1
11	Right Side Panel	1
12	Backboard	2
13	Laminate	1
14	Laminate	2
15	Trim strip	1
16	Solid wood feet	4
17	Left and right reinforcement plates	2

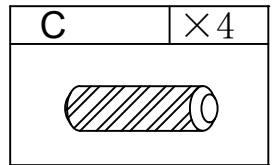
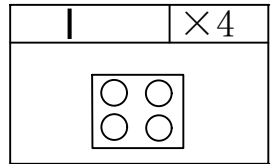
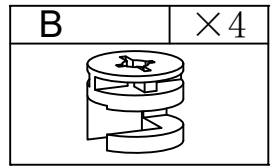
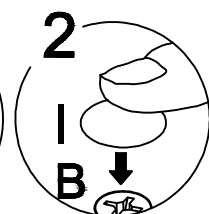
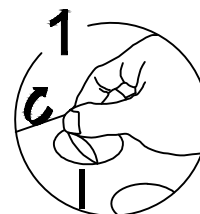
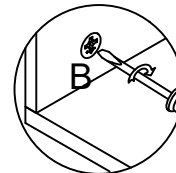
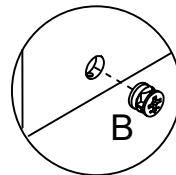
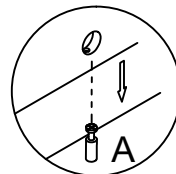
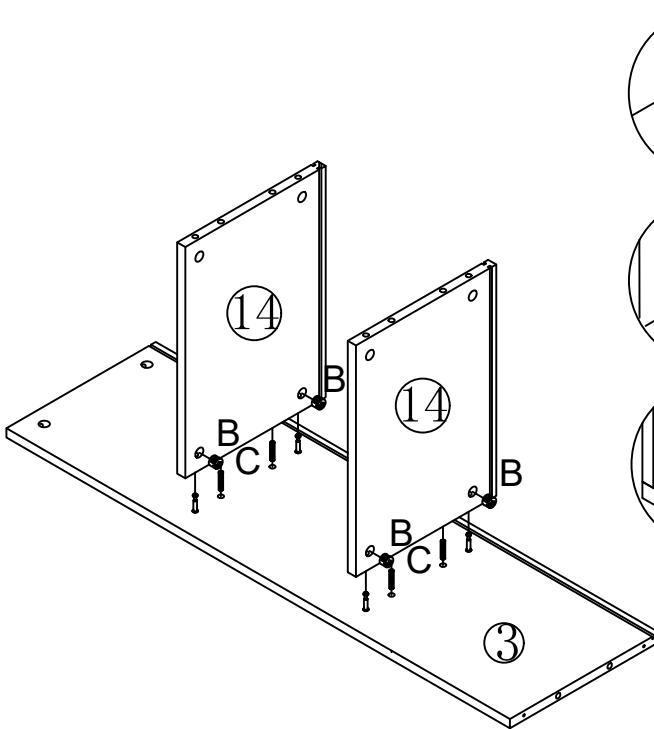
The Accessoriess



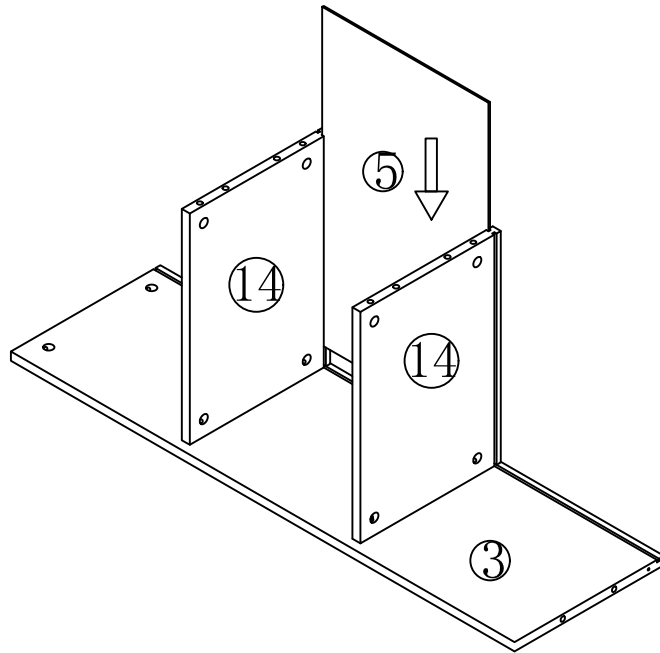
Step 1



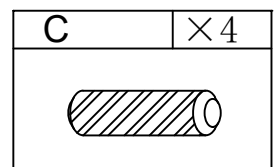
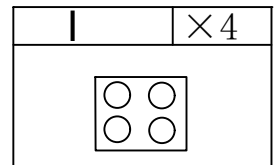
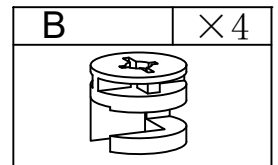
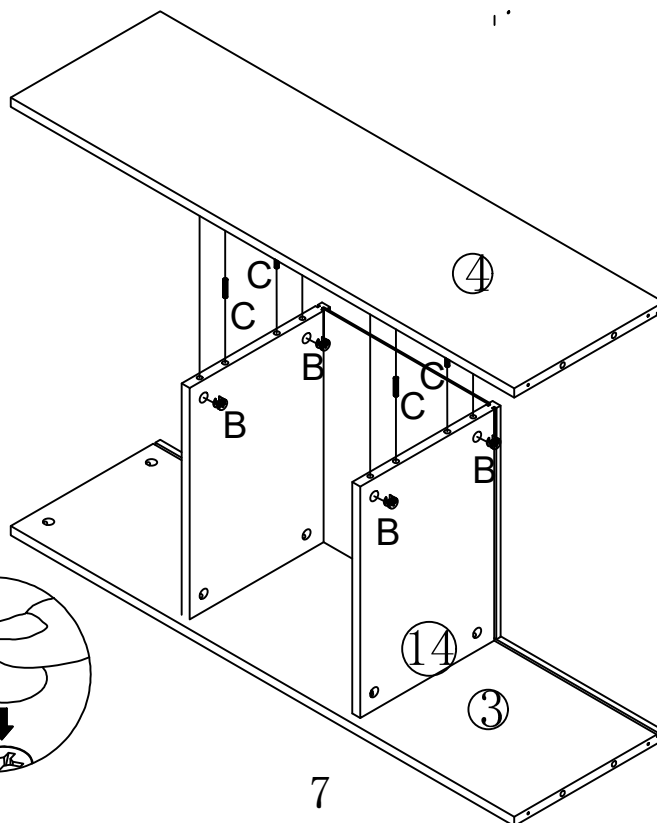
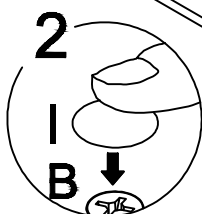
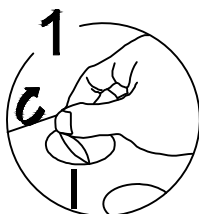
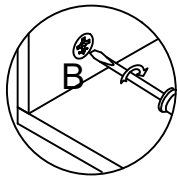
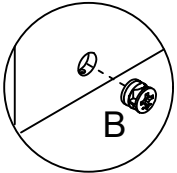
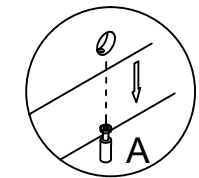
Step 2



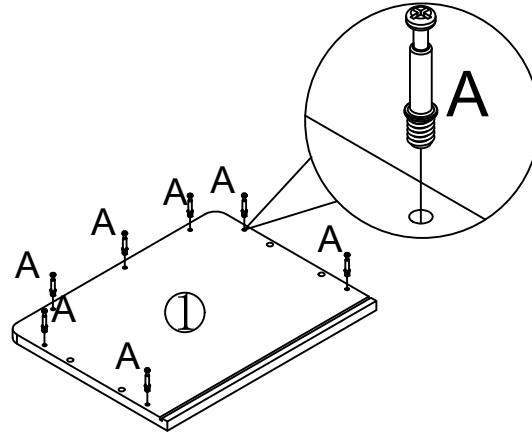
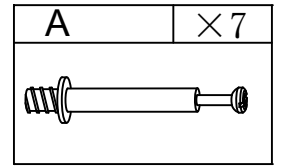
Step 3



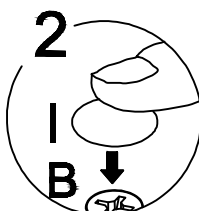
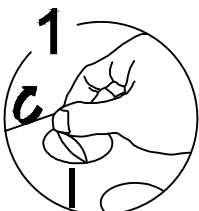
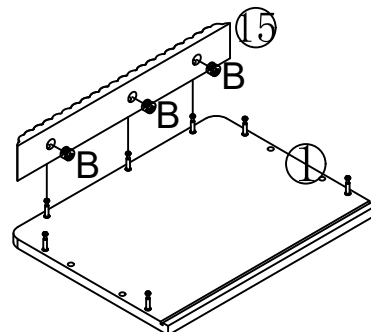
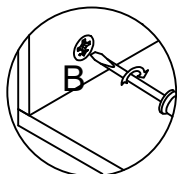
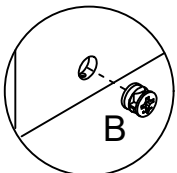
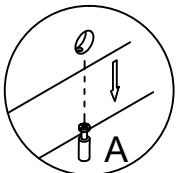
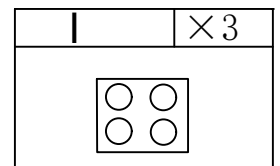
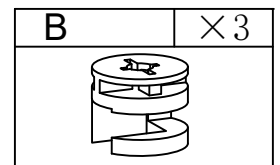
Step 4



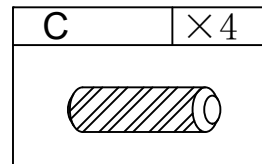
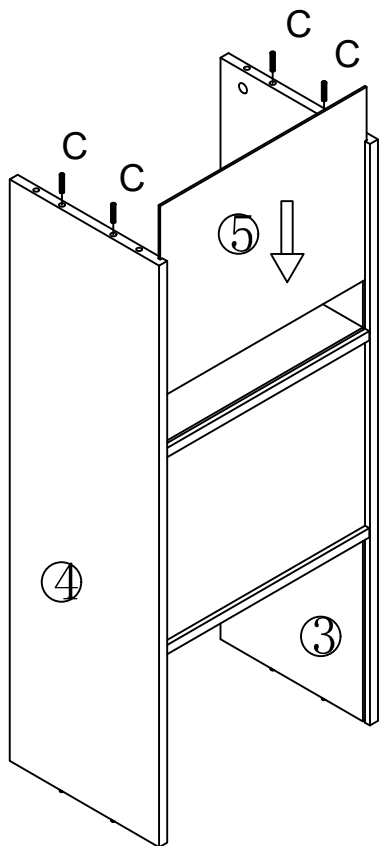
Step 5



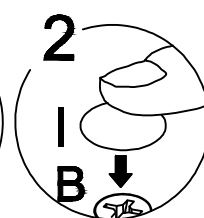
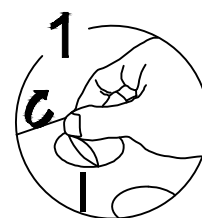
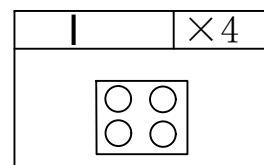
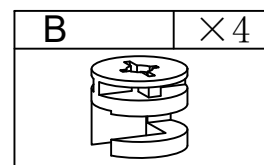
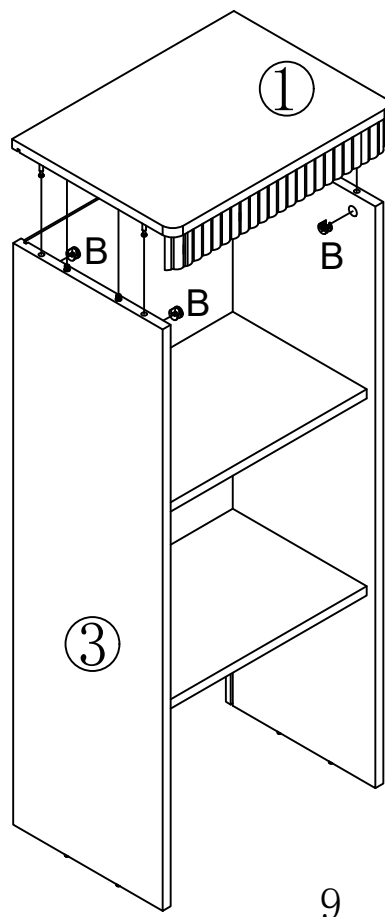
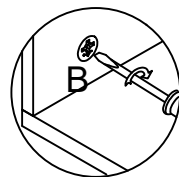
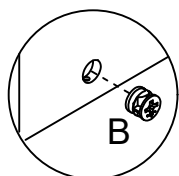
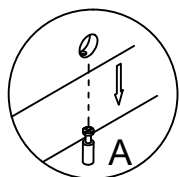
Step 6



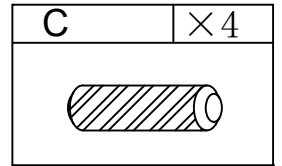
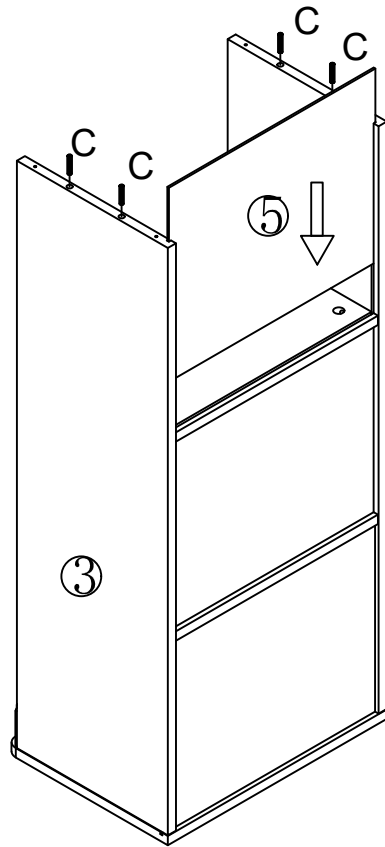
Step 7



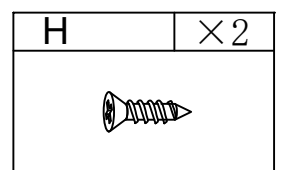
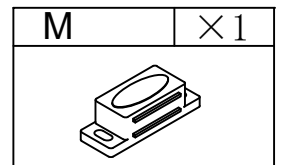
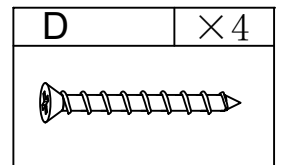
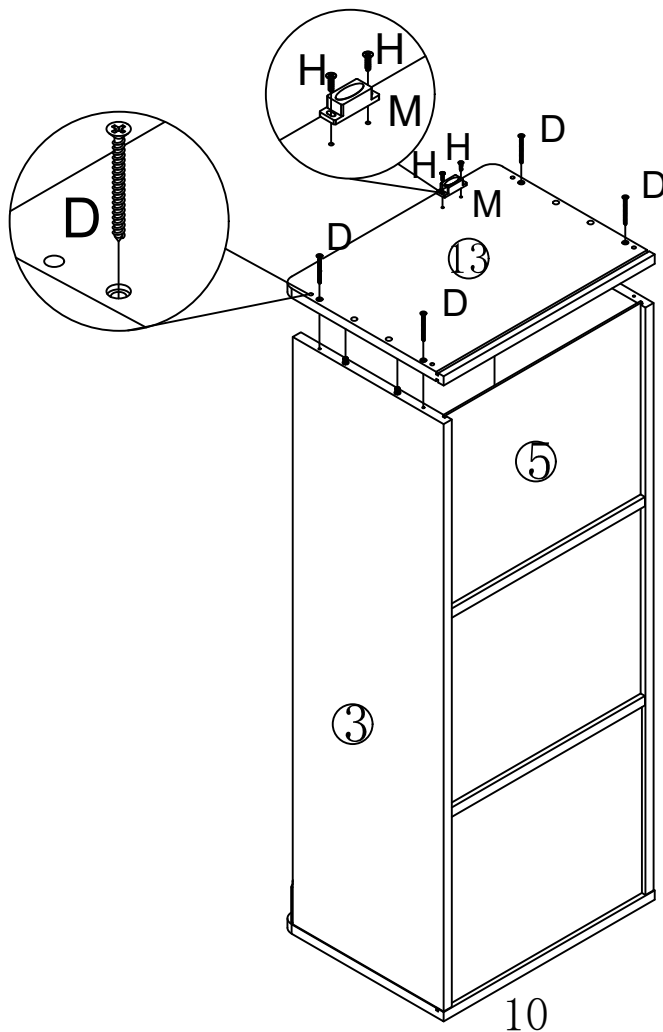
Step 8



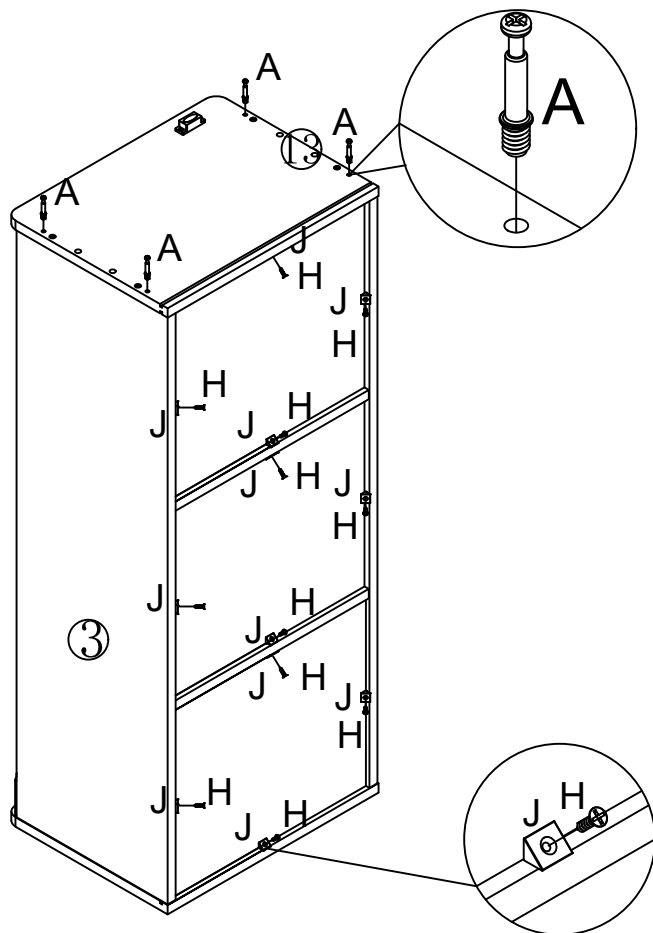
Step 9




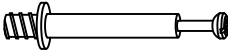
Step 10

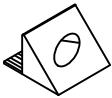


Step 11

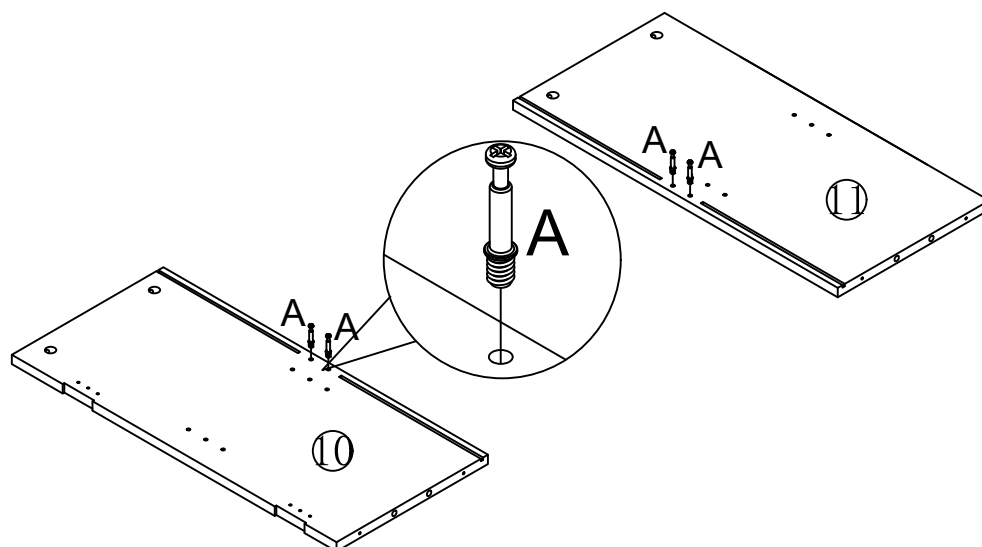


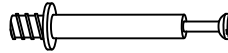
H	×12
	

A	×4
	

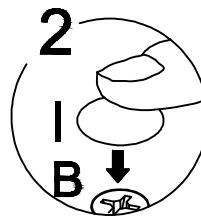
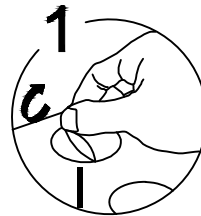
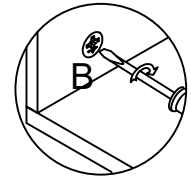
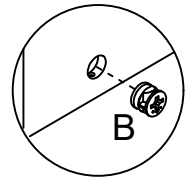
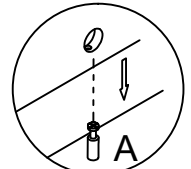
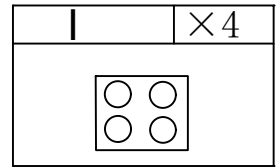
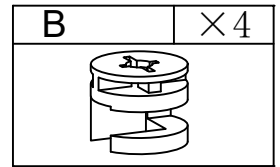
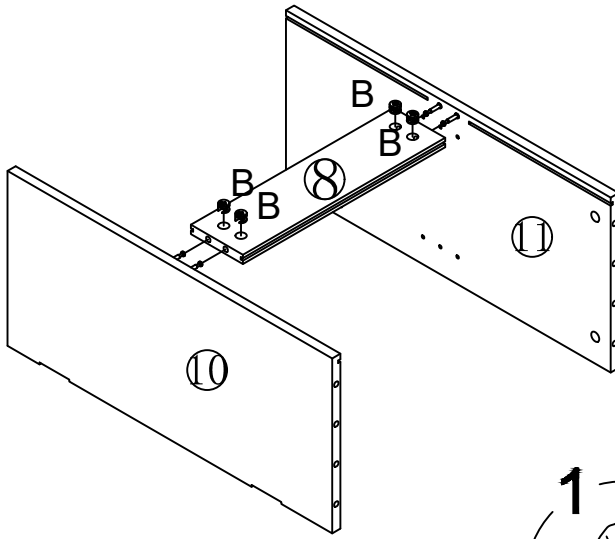
J	×12
	

Step 12

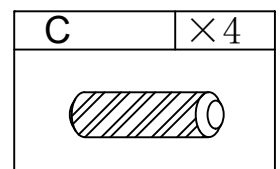
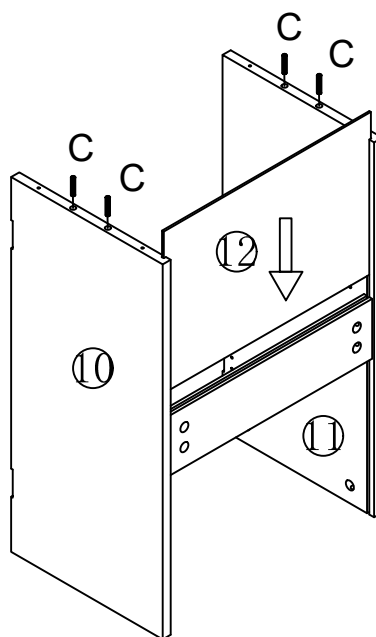


A	×4
	

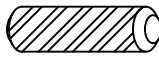
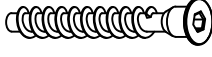

Step 13




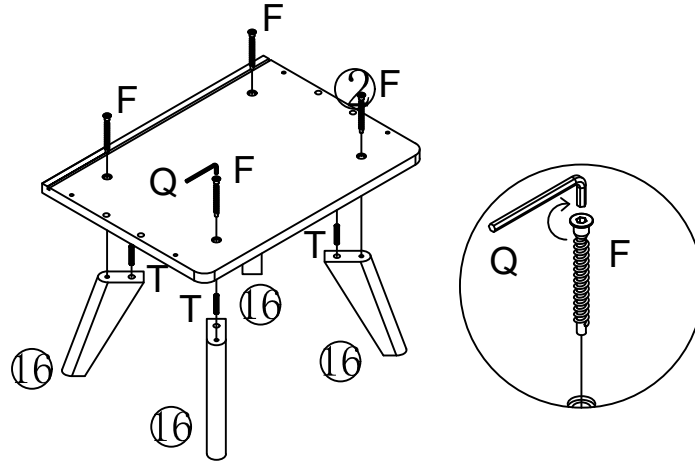
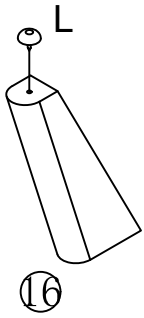
Step 14



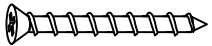
Step 15

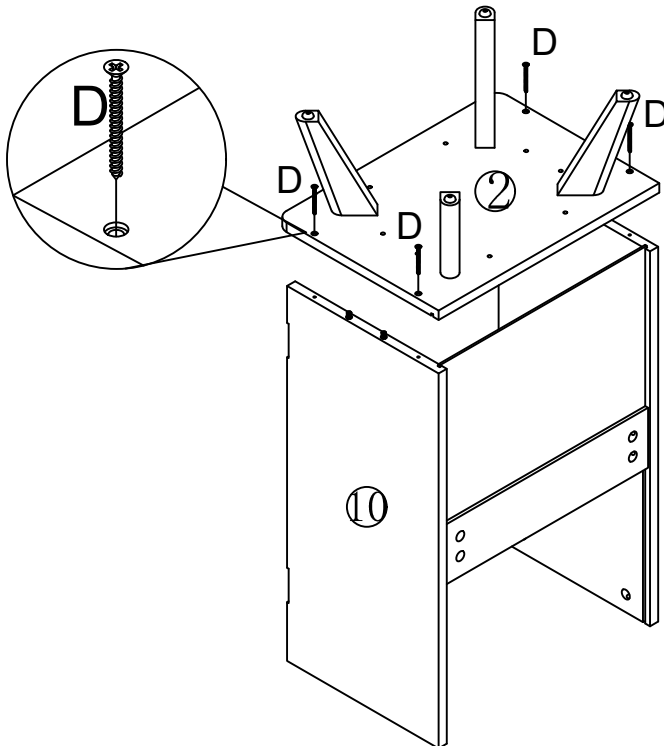
T	×4	F	×4	Q	×1
					

L	×4
	

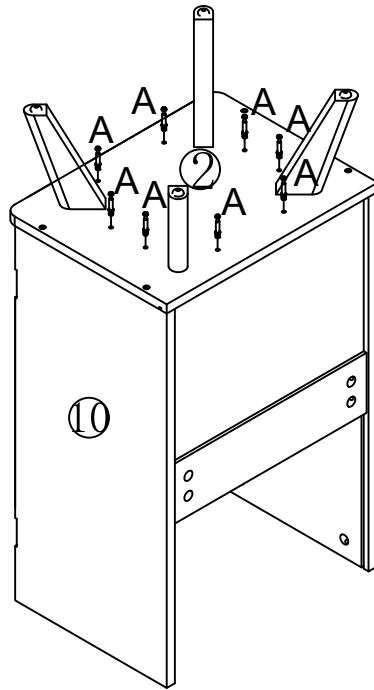
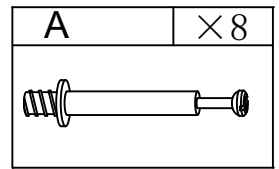


Step 16

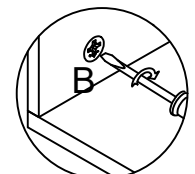
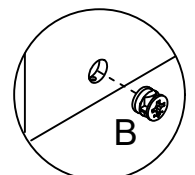
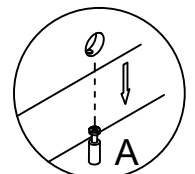
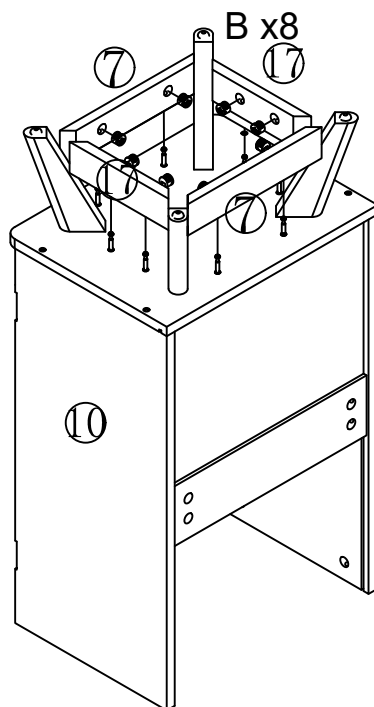
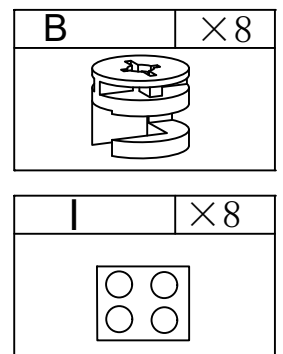
D	×4
	



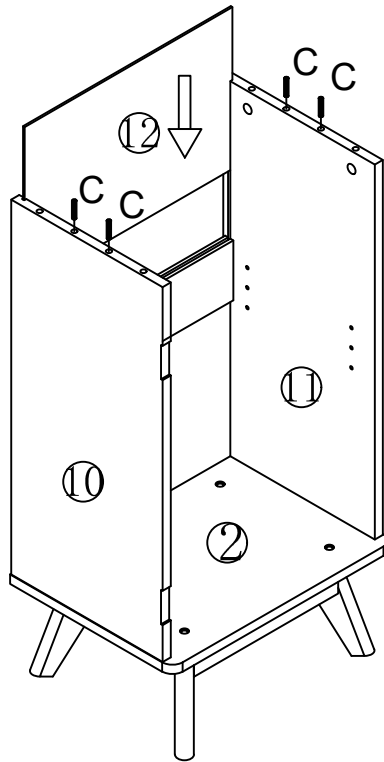
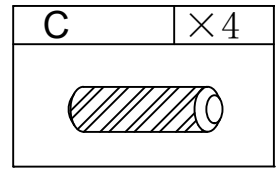
Step 17



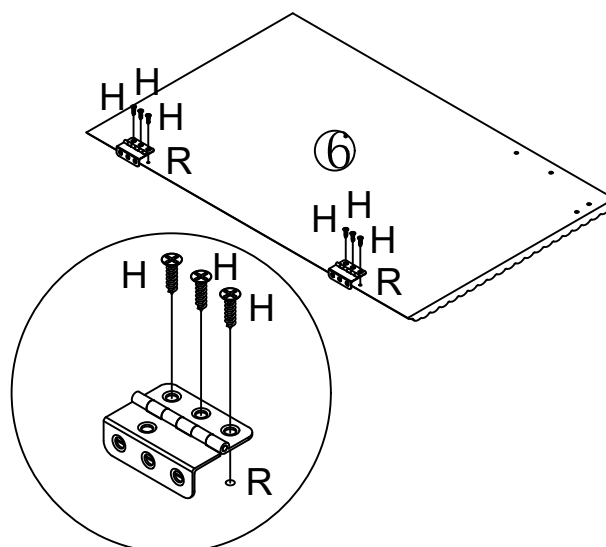
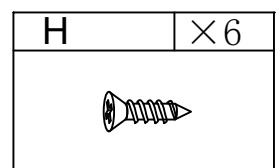
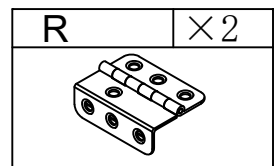
Step 18



Step 19



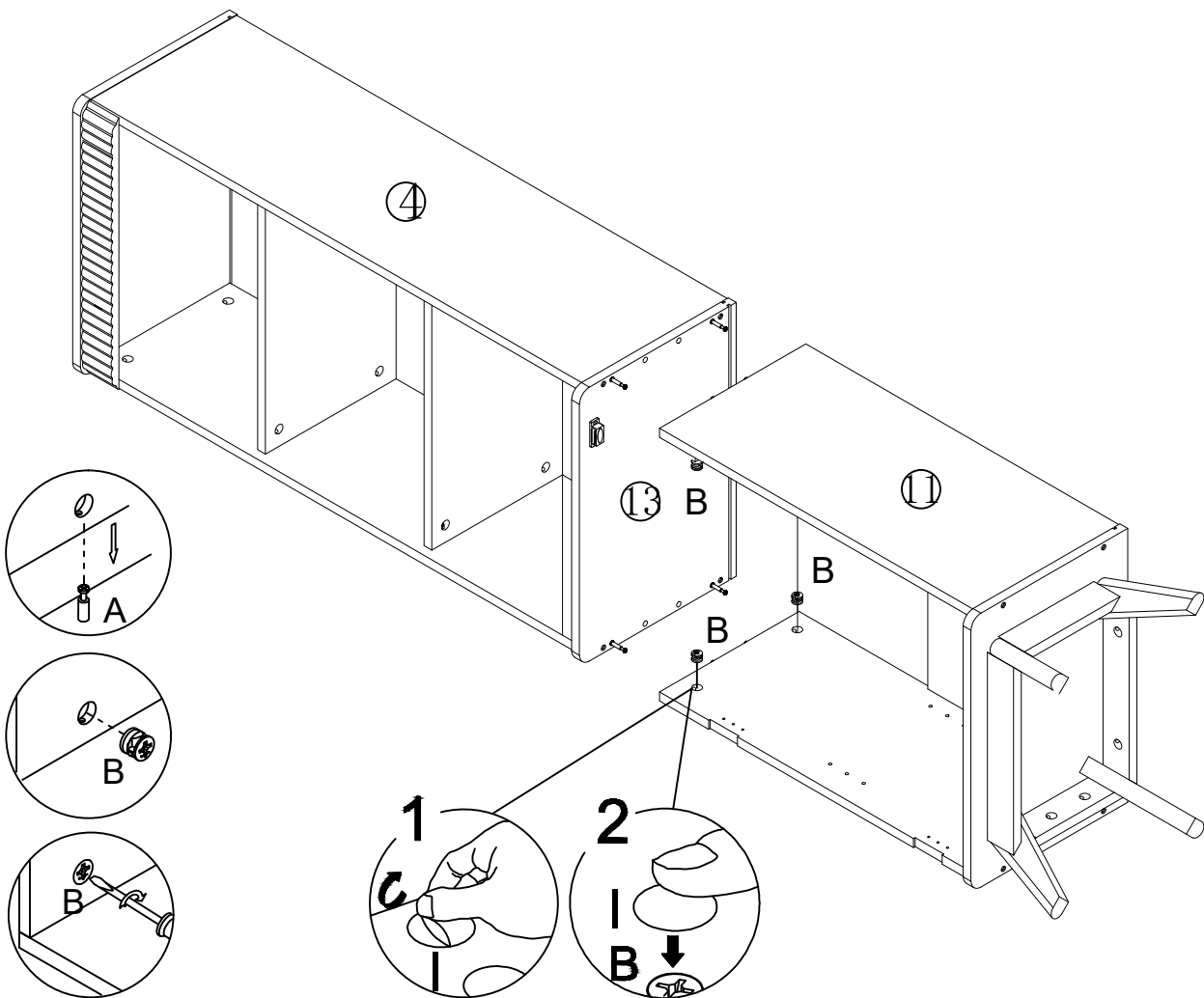
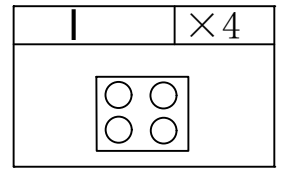
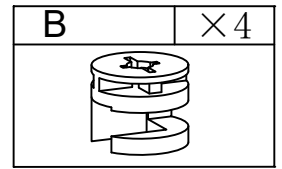
Step 20



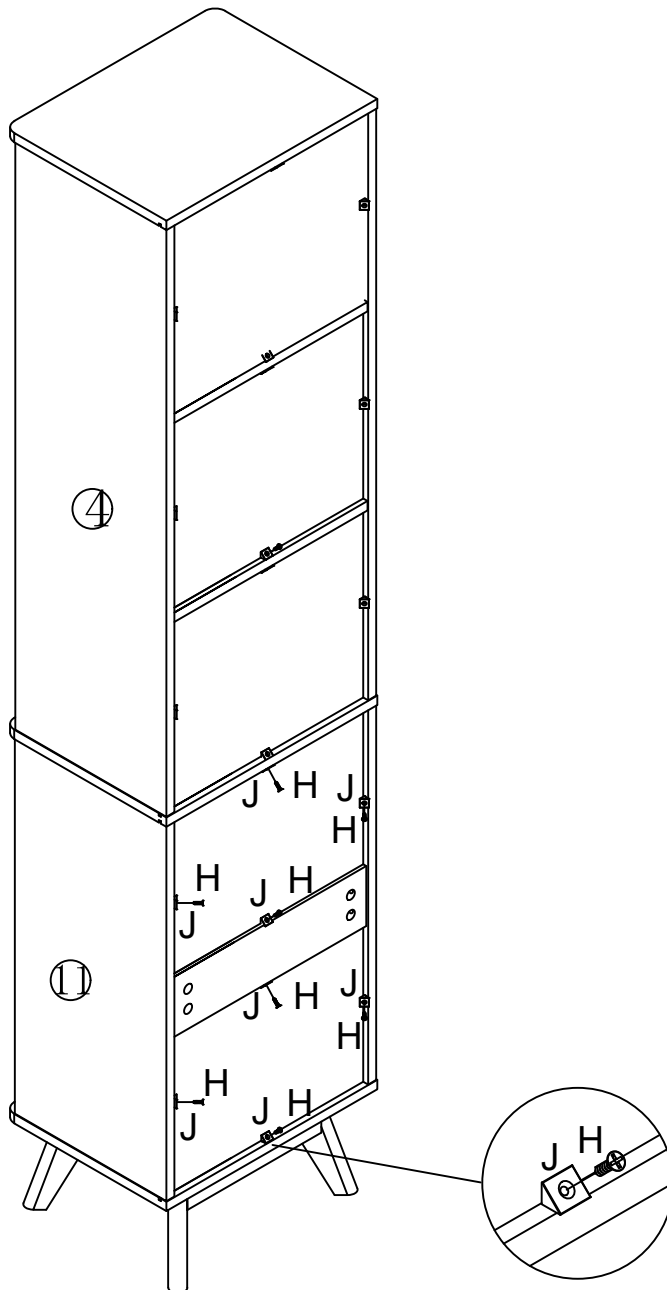
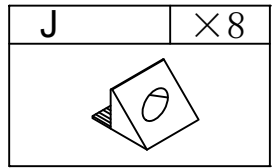
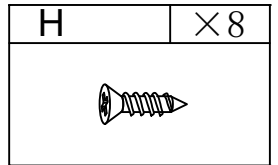
Step 21



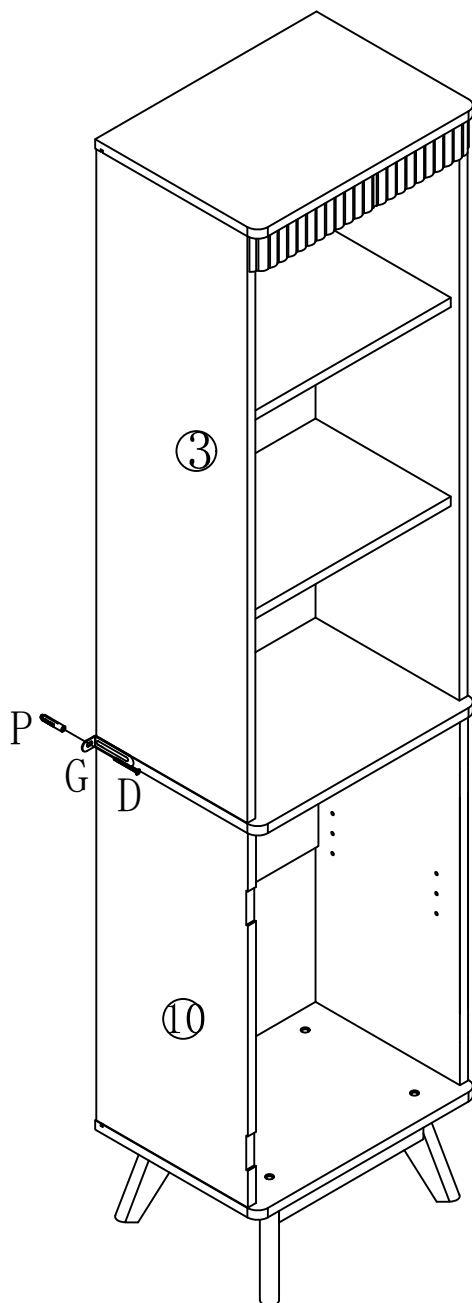
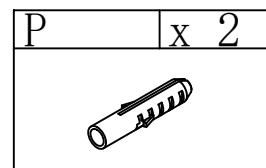
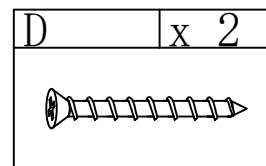
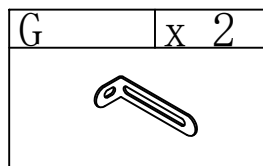
Please install this step with more than one person, install carefully!




Step 22

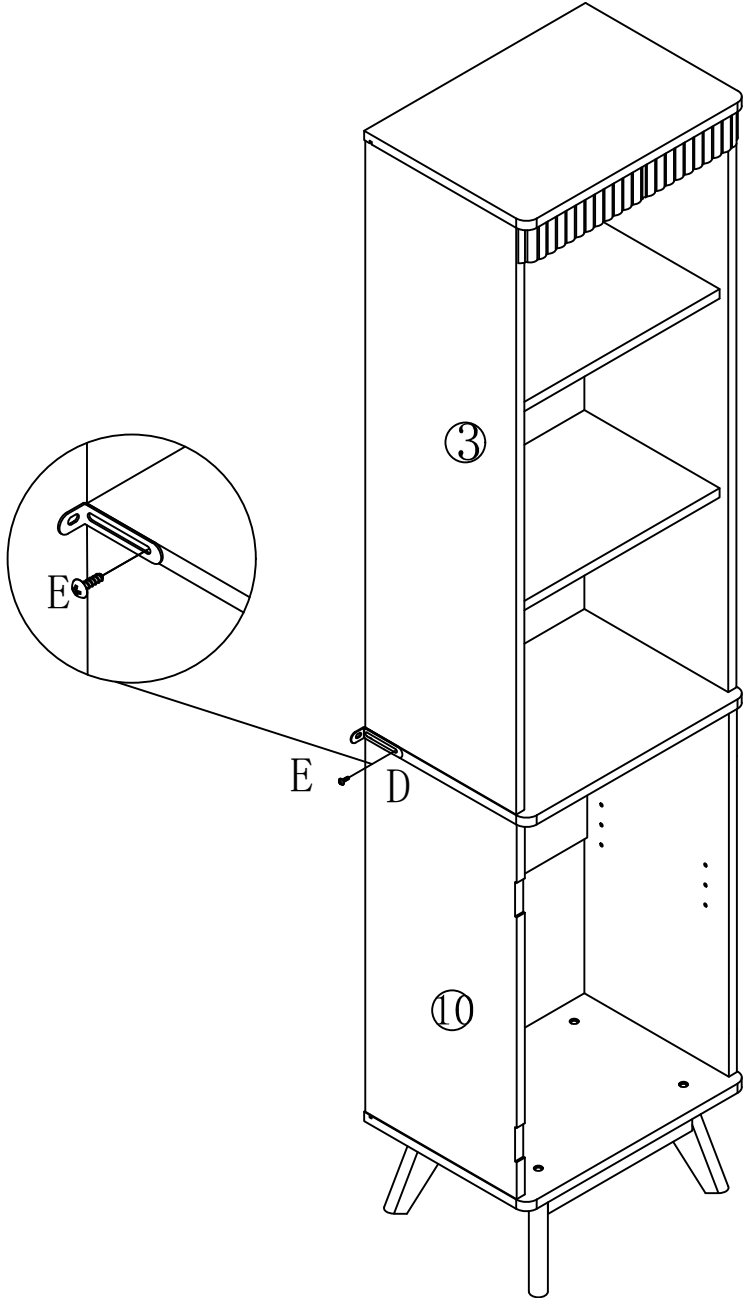


Step 23




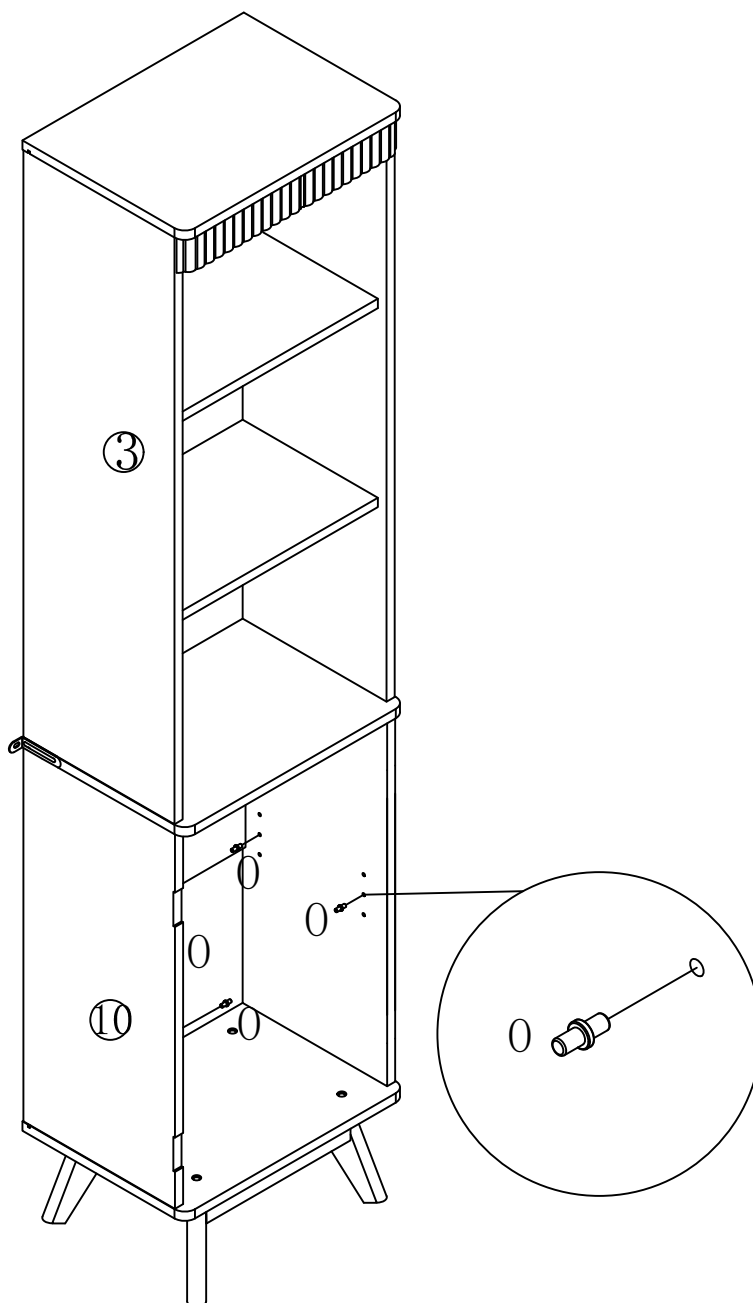
Step 24

E	x 2
	

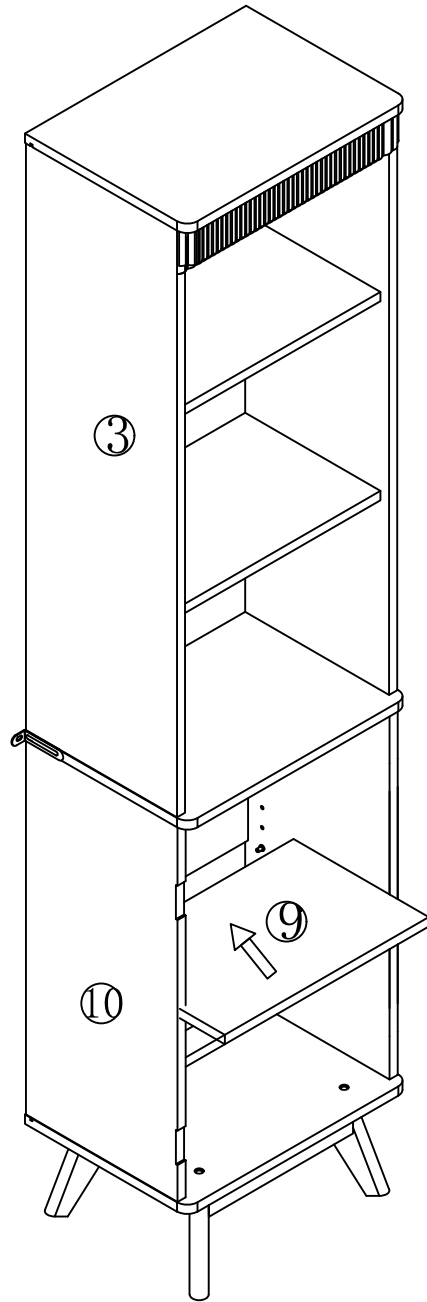


Step 25

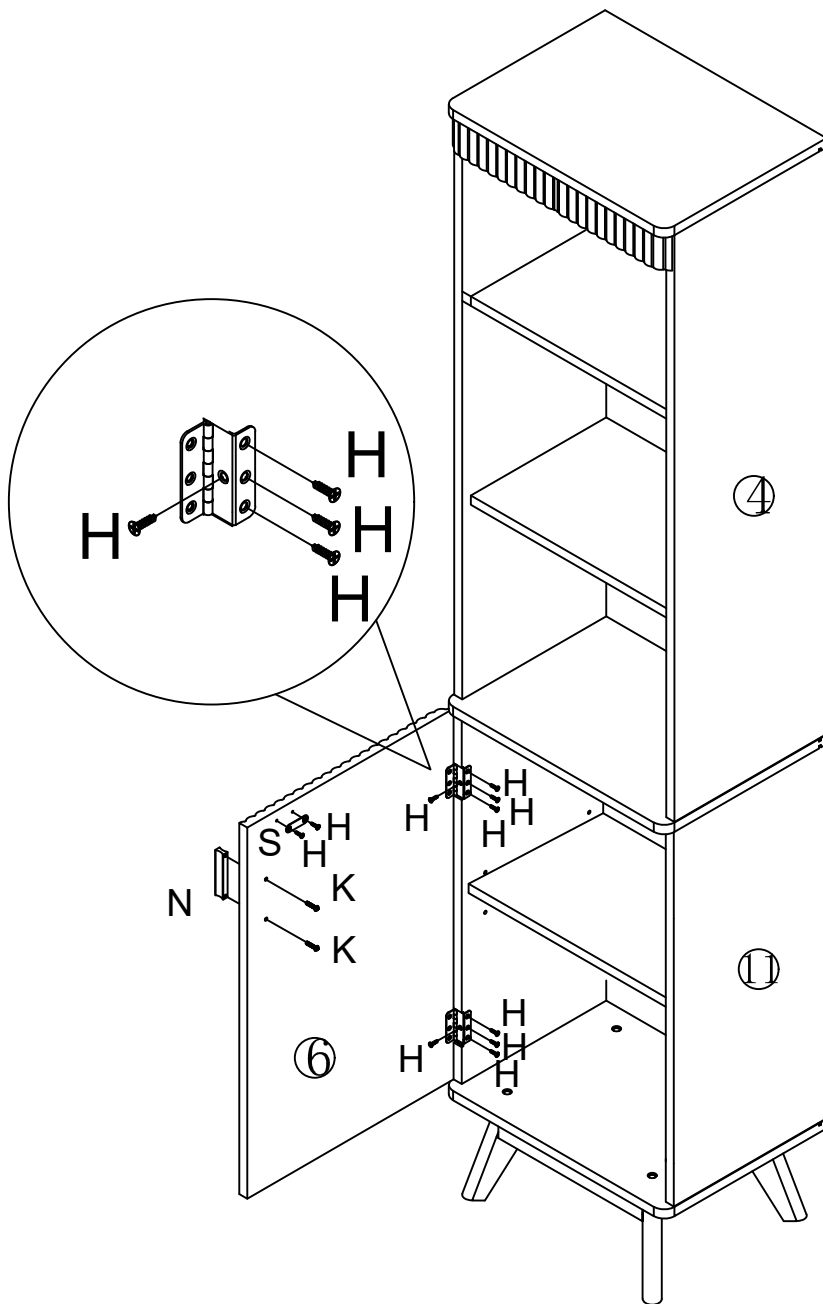
0	x 4
	





Step 26




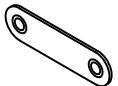
Step 27

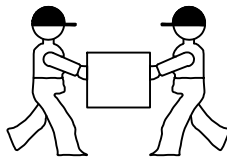


H	×10
	

N	×1
	

K	×2
	

S	×1
	



Two people work together to move the table.
Make sure you lift it off the ground.
Don't push and pull.