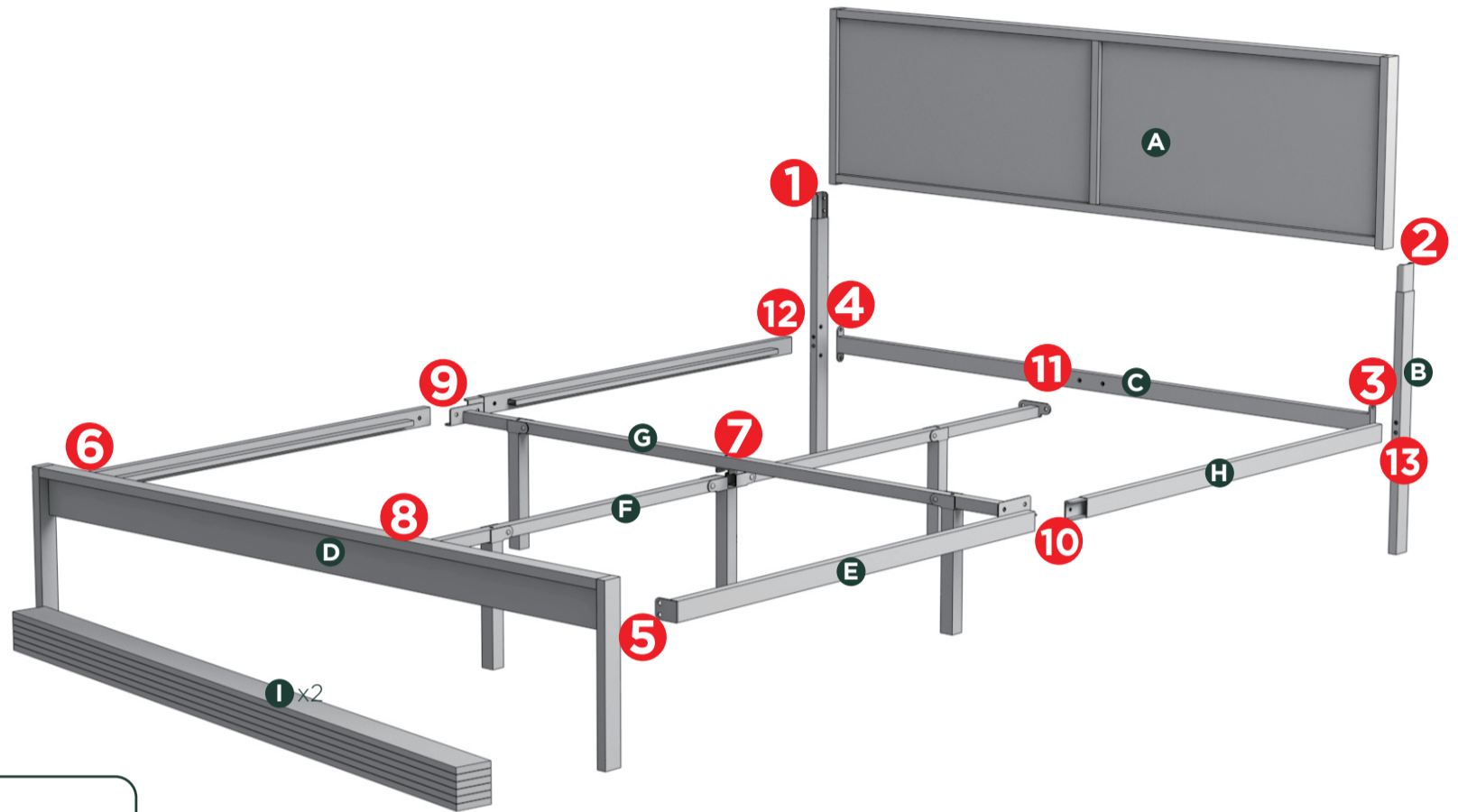
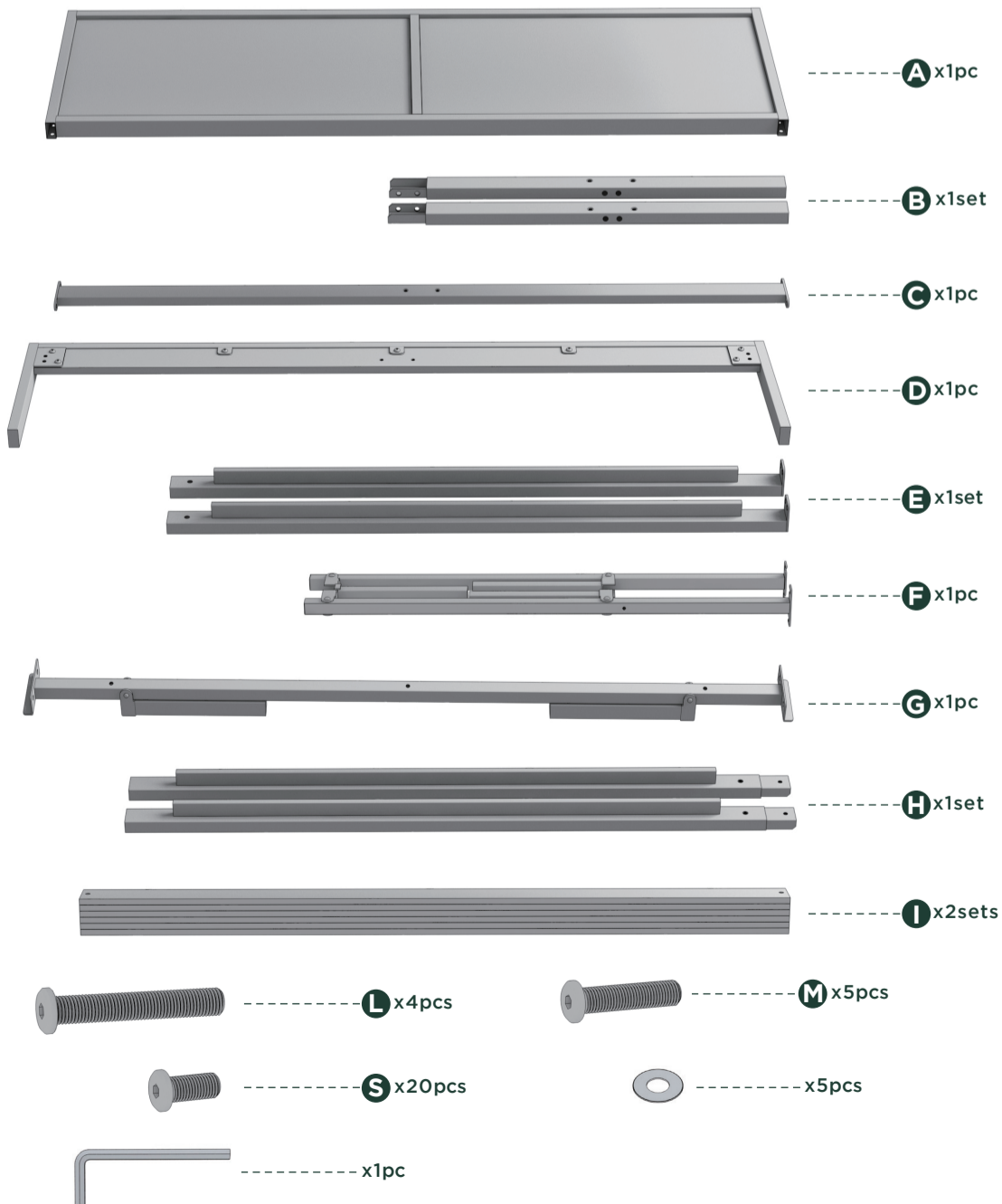


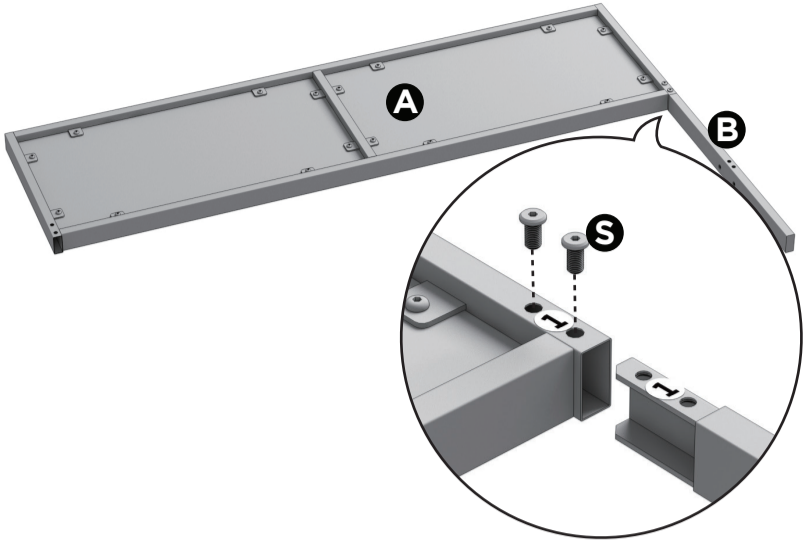
# Assembly Instruction



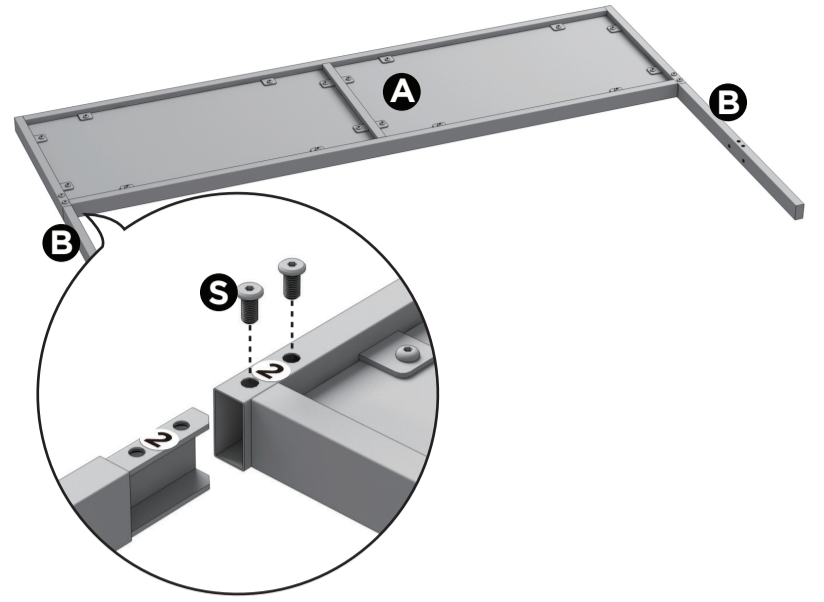
## Components



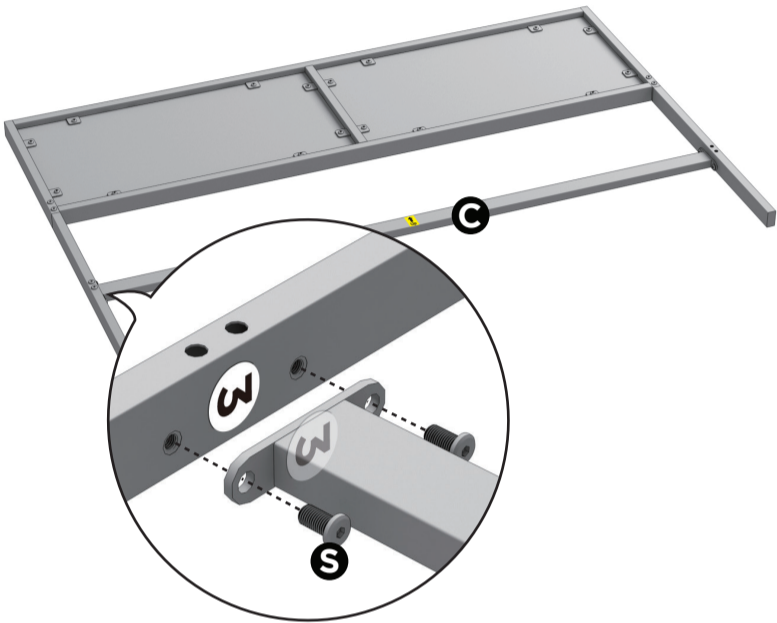
1



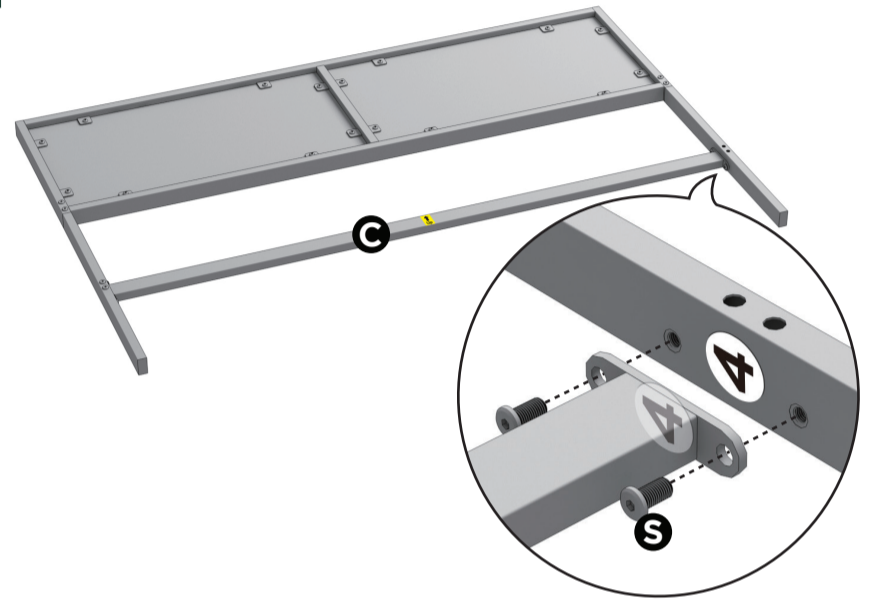
2



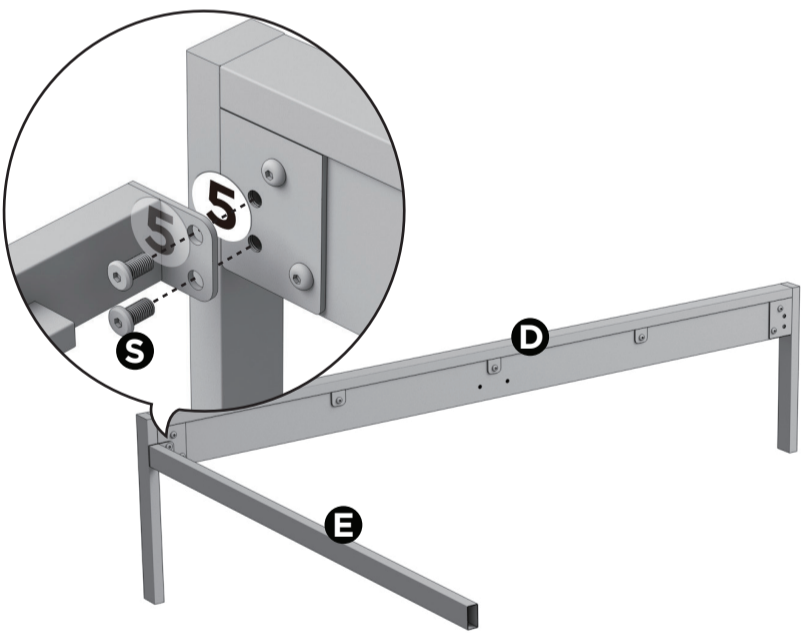
3



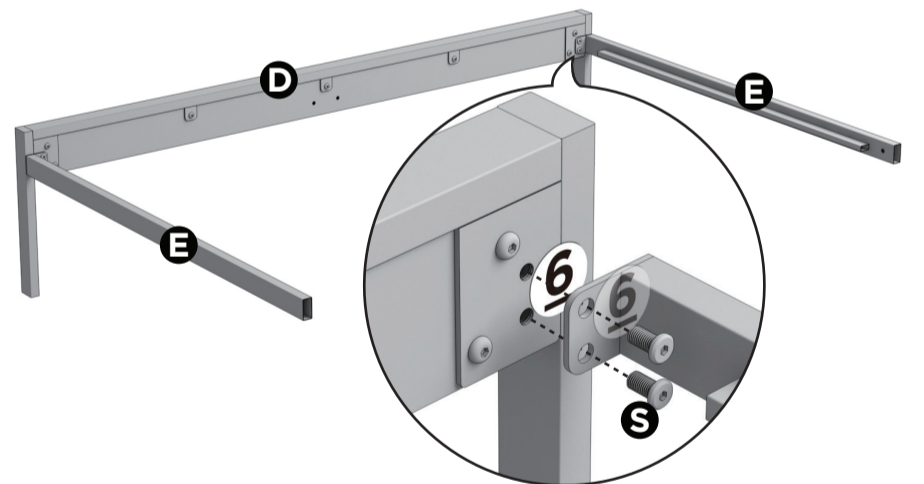
4



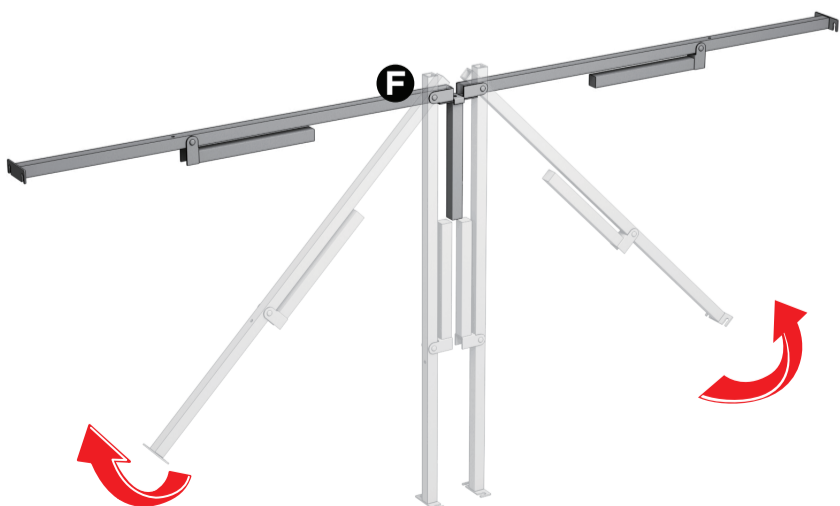
5



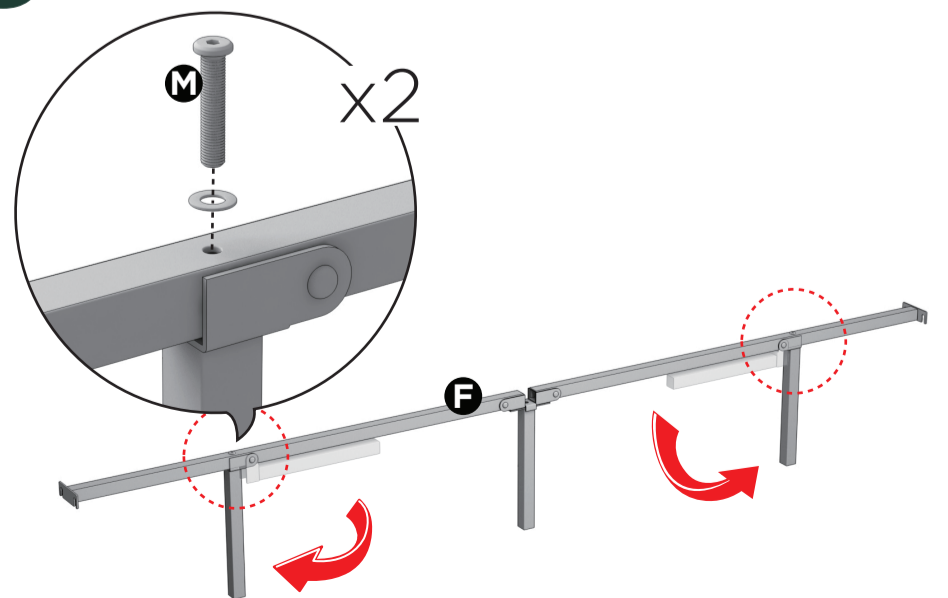
6



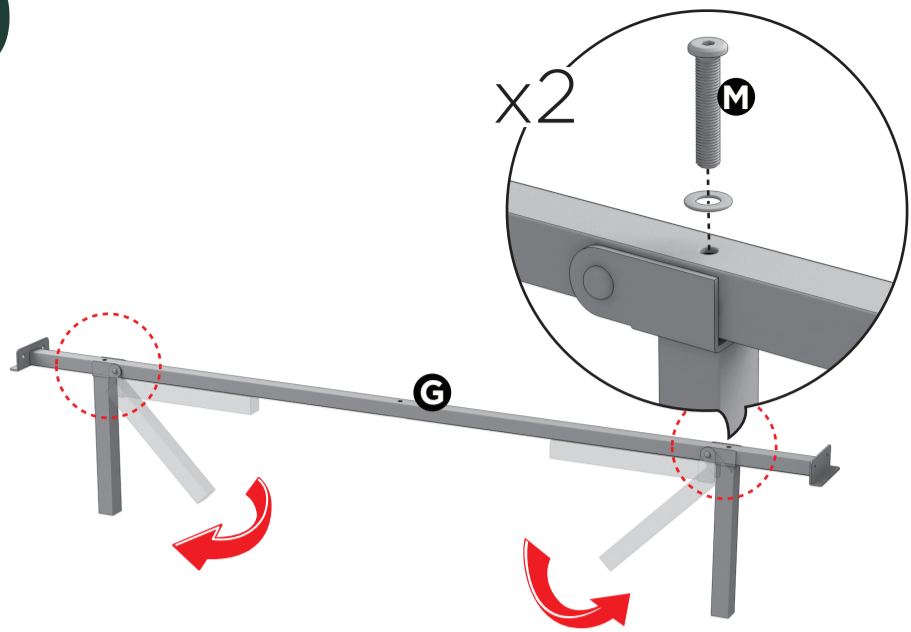
7



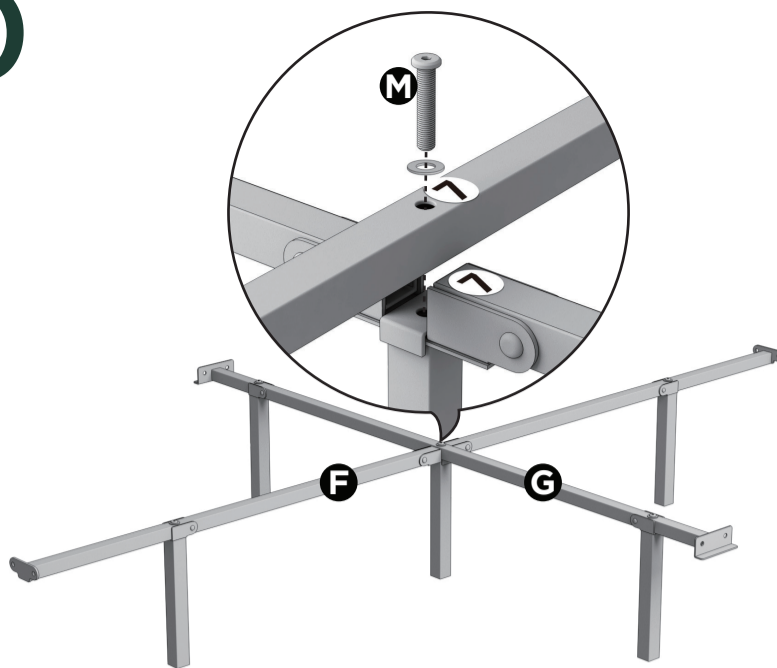
8



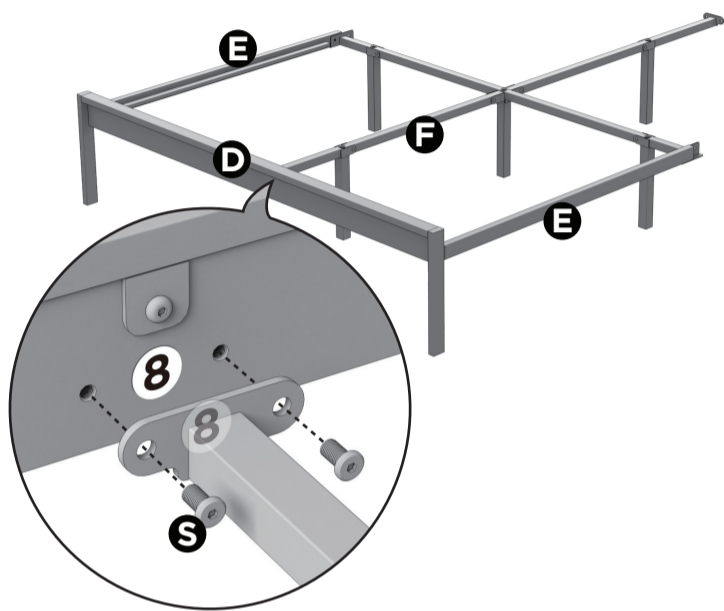
9



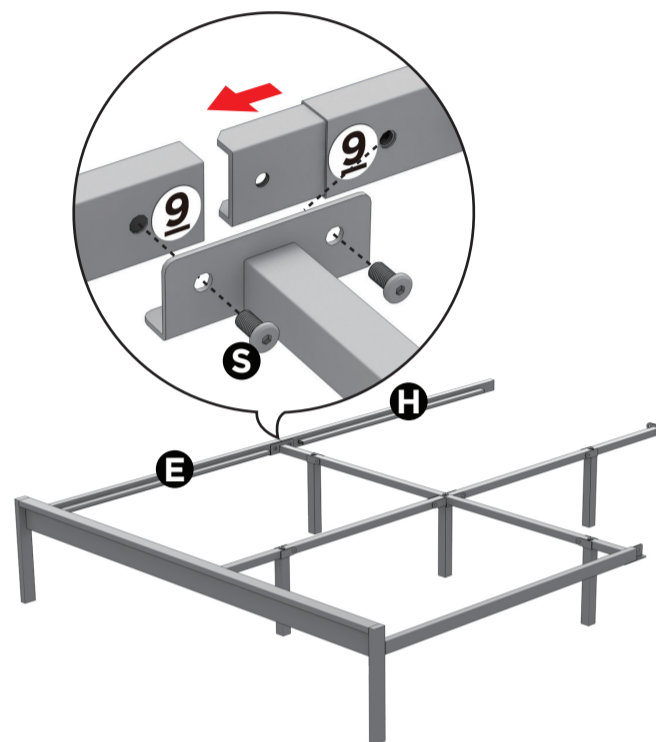
10



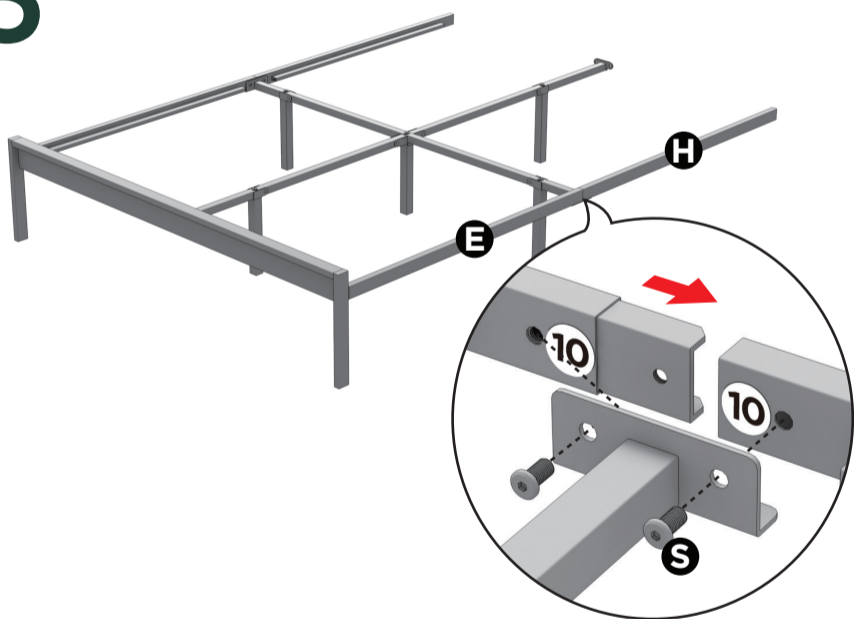
11



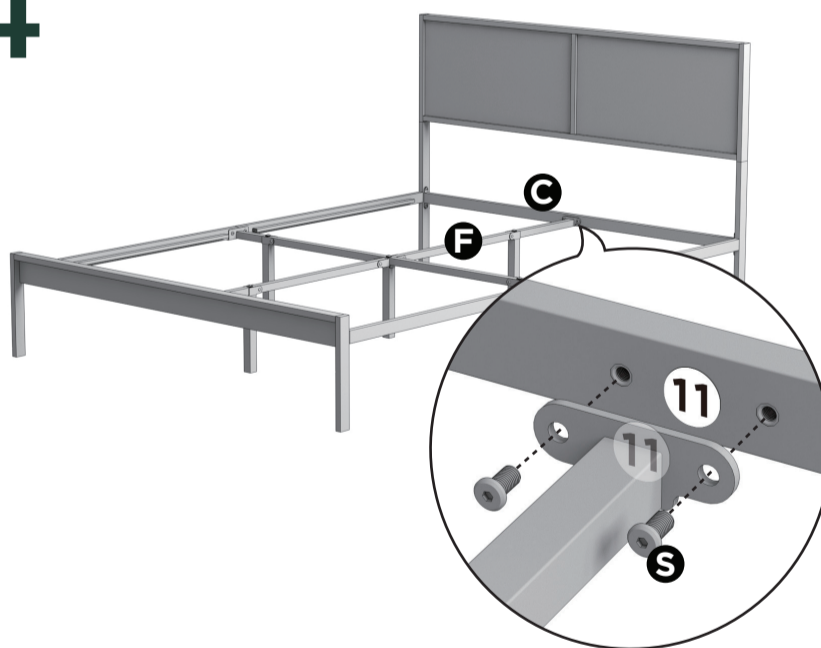
12



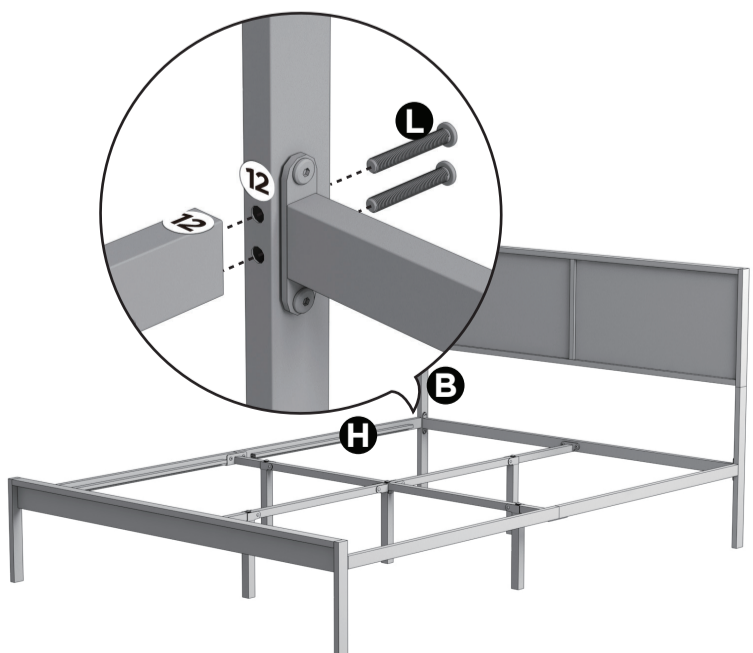
13



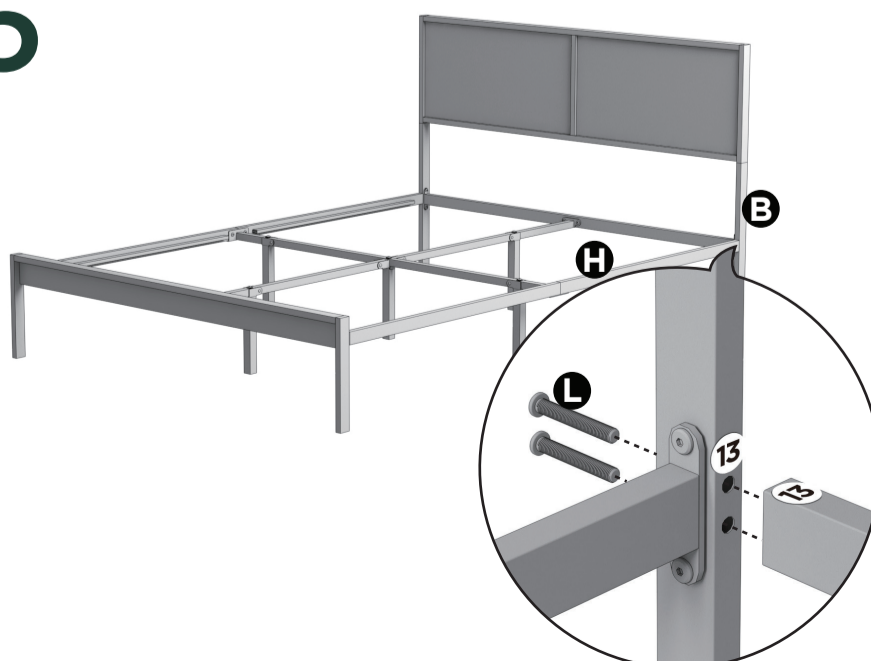
14



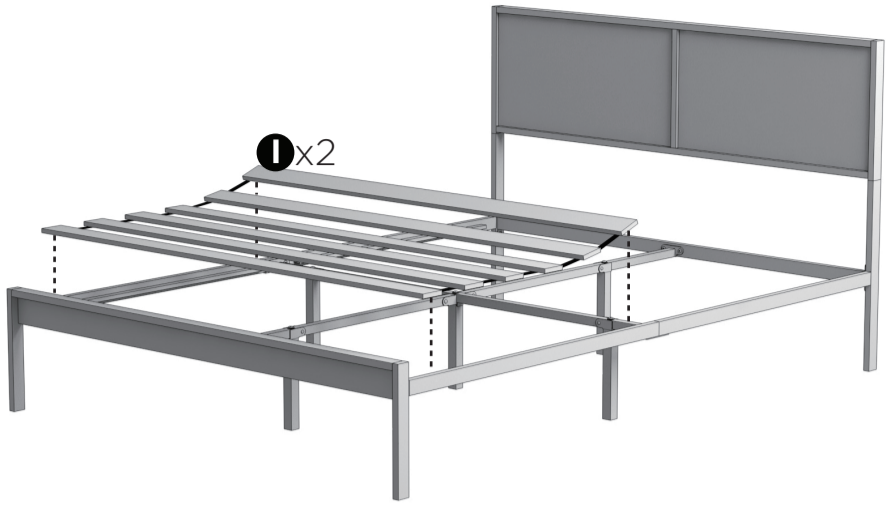
15



16



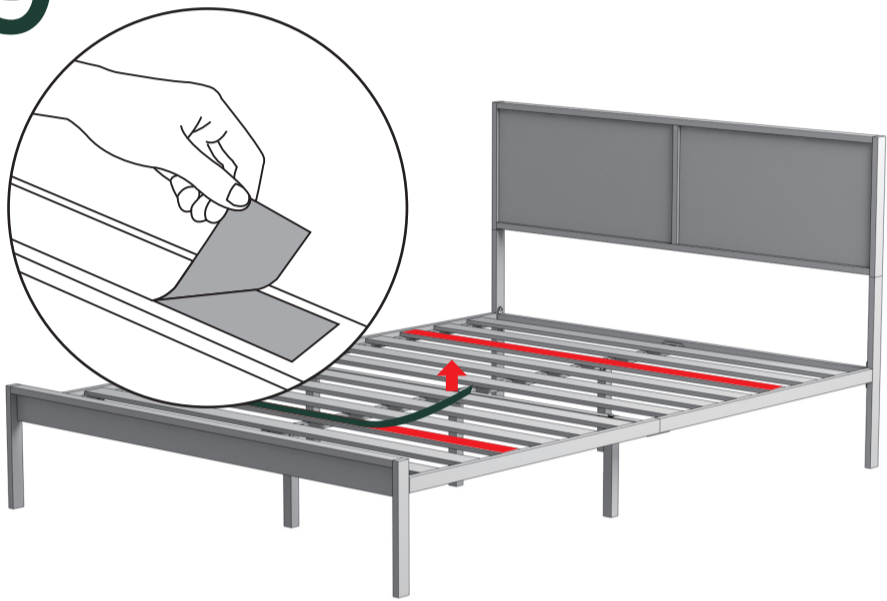
17



18



19



20

