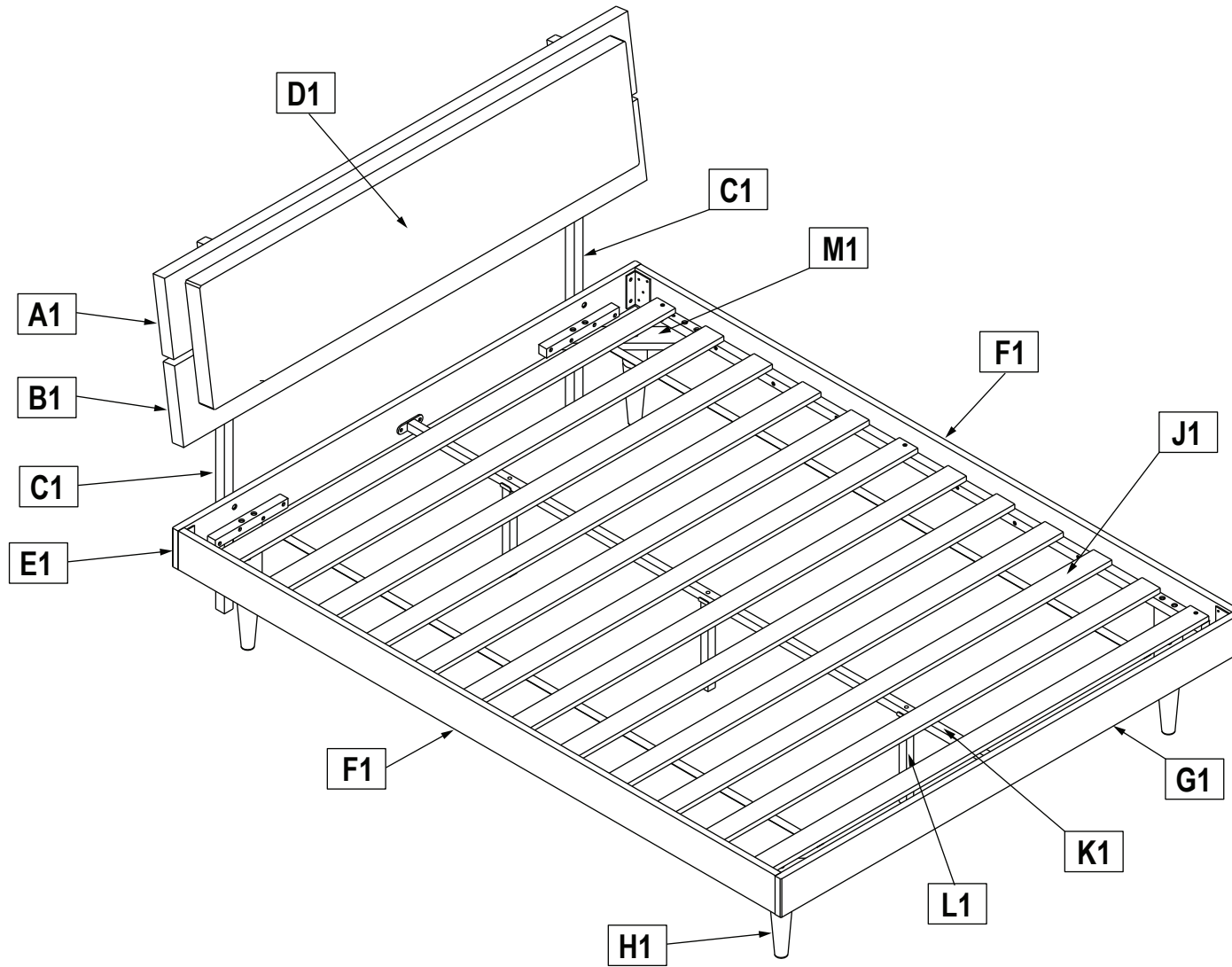


ASSEMBLY INSTRUCTIONS:

F-Q-K BED

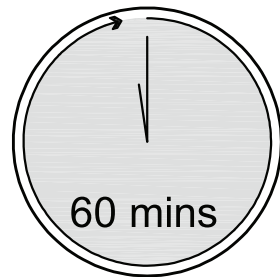


F-Q-K BED

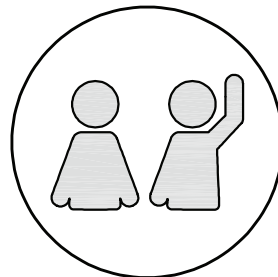
ASSEMBLY INSTRUCTIONS

Read these instructions carefully and keep for future reference. Refer to parts inventory for guidance, and ensure you have all pieces before starting.

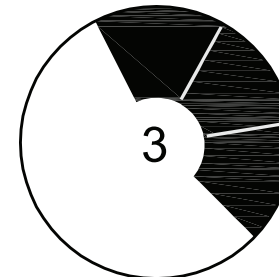
When assembling, place all parts on a soft, clean, and flat surface such as a carpet to prevent scratches.



TIME



OF PEOPLE




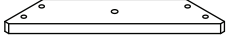

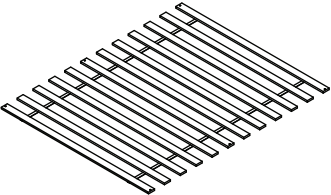
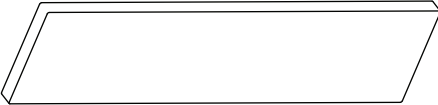

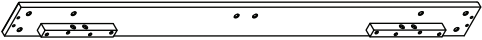





DIFFICULTY

Important: Use hand tools for assembly. Power tools can lead to over-tightening and damage.

F-Q-K BED

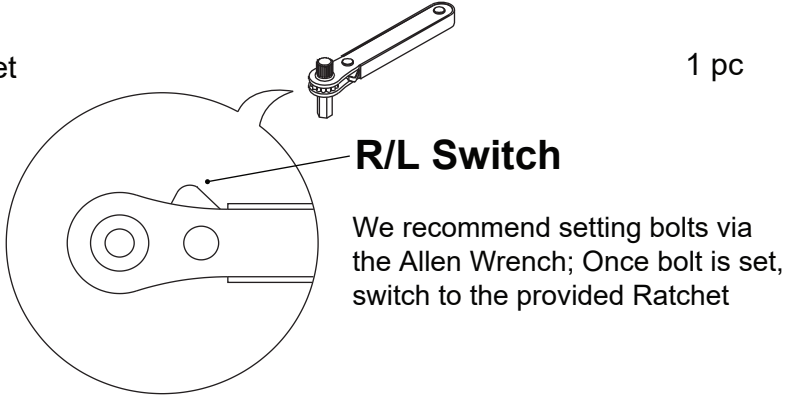
Parts List

CODE	DESCRIPTION	QTY	CODE	DESCRIPTION	QTY
A1	Headboard Top 	1 pc	H1	Legs 	4 pcs
B1	Headboard Bottom 	1 pc	M1	Corner Wedge 	4 pcs
C1	Headboard Legs 	2 pcs	J1	Slats 	1 set
D1	Headboard Cushion 	1 pc	K1	Center Rail 	1 pc
E1	Stretcher 	1 pc	L1	Support Legs 	3 pcs
F-1	Side Rail 	2 pcs			
G-1	Footboard 	1 pc			

F-Q-K BED

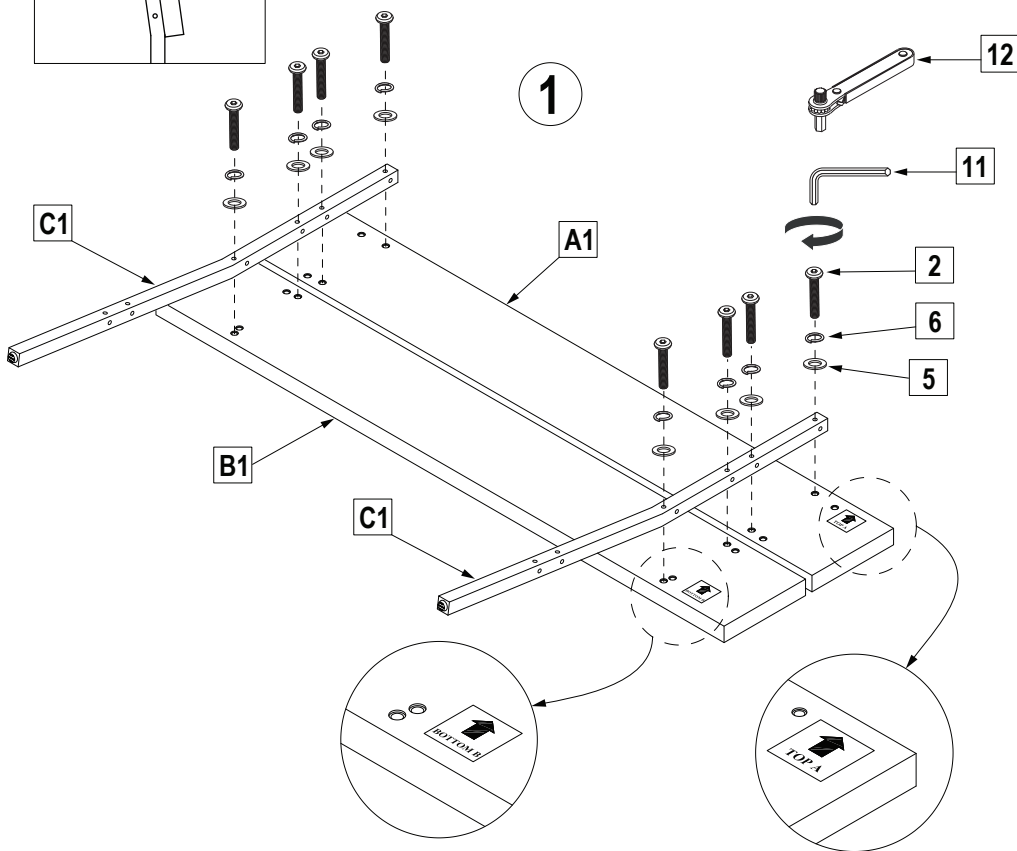
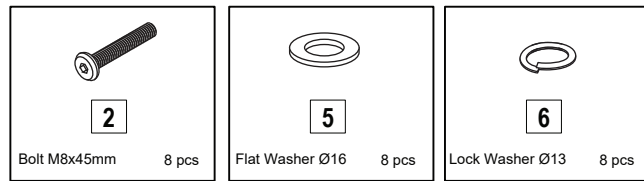
Hardware List

CODE	DESCRIPTION	QTY	CODE	DESCRIPTION	QTY
1	Dowel Ø8x30mm	12 pcs	8	Flat Washer Ø50	3 pcs
2	Bolt M8x45mm	31 pcs	9	Rubber Washer Ø50	3 pcs
3	Bolt M8x20mm	12 pcs	10	Plastic Tube Ø12x25mm	3 pcs
4	Screw #8x30mm	6 pcs	11	Allen Wrench	1 pc
5	Flat Washer Ø16	43 pcs	12	Ratchet	1 pc
6	Lock Washer Ø13	43 pcs			
7	Star Knob	3 pcs			

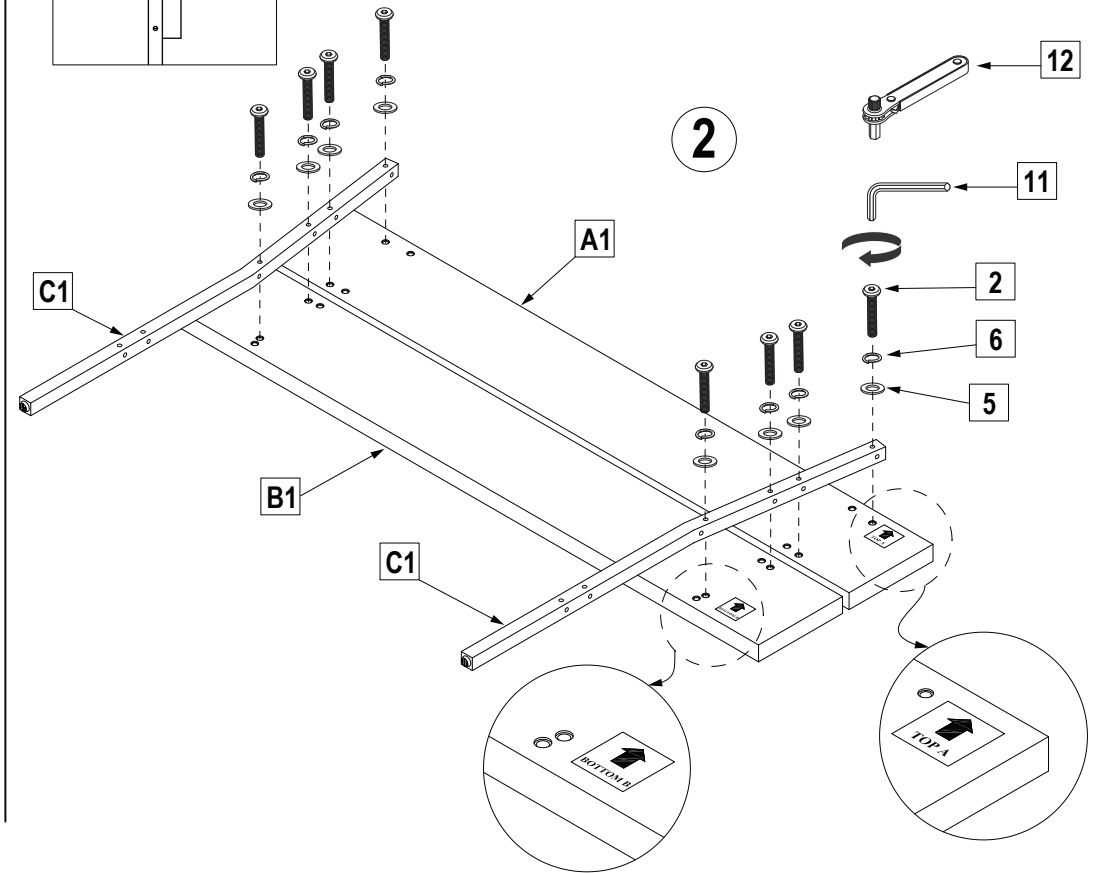
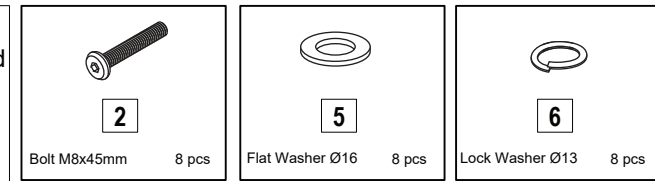


1

OPTION 1: Angled Headboard



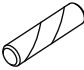



OPTION 2: Straight Headboard

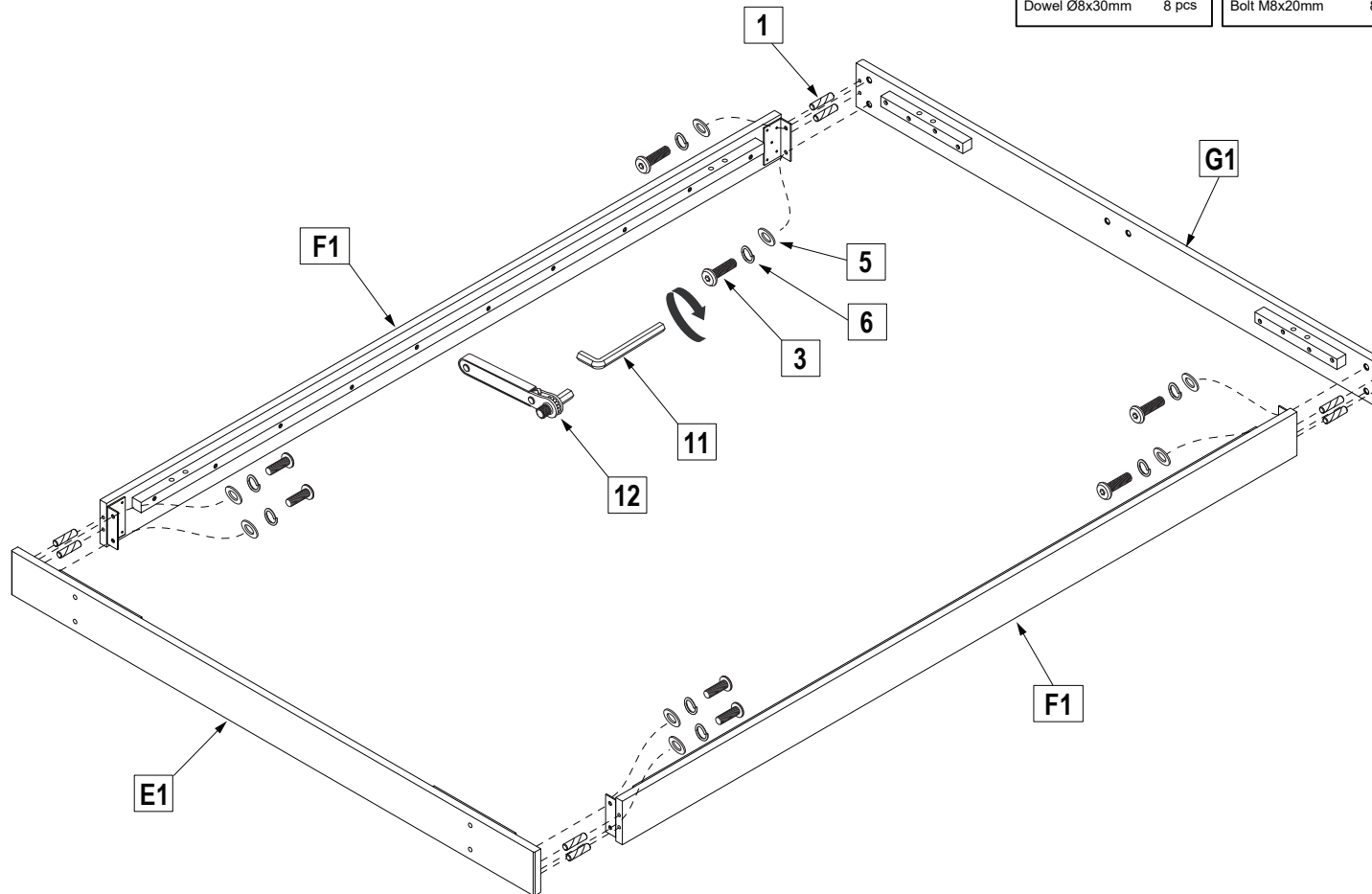


If you're having difficulty, our friendly Customer Care team is always here to help.
Call us at 1.336.861.0604, email: parts@comfortpointe.com.

F-Q-K BED

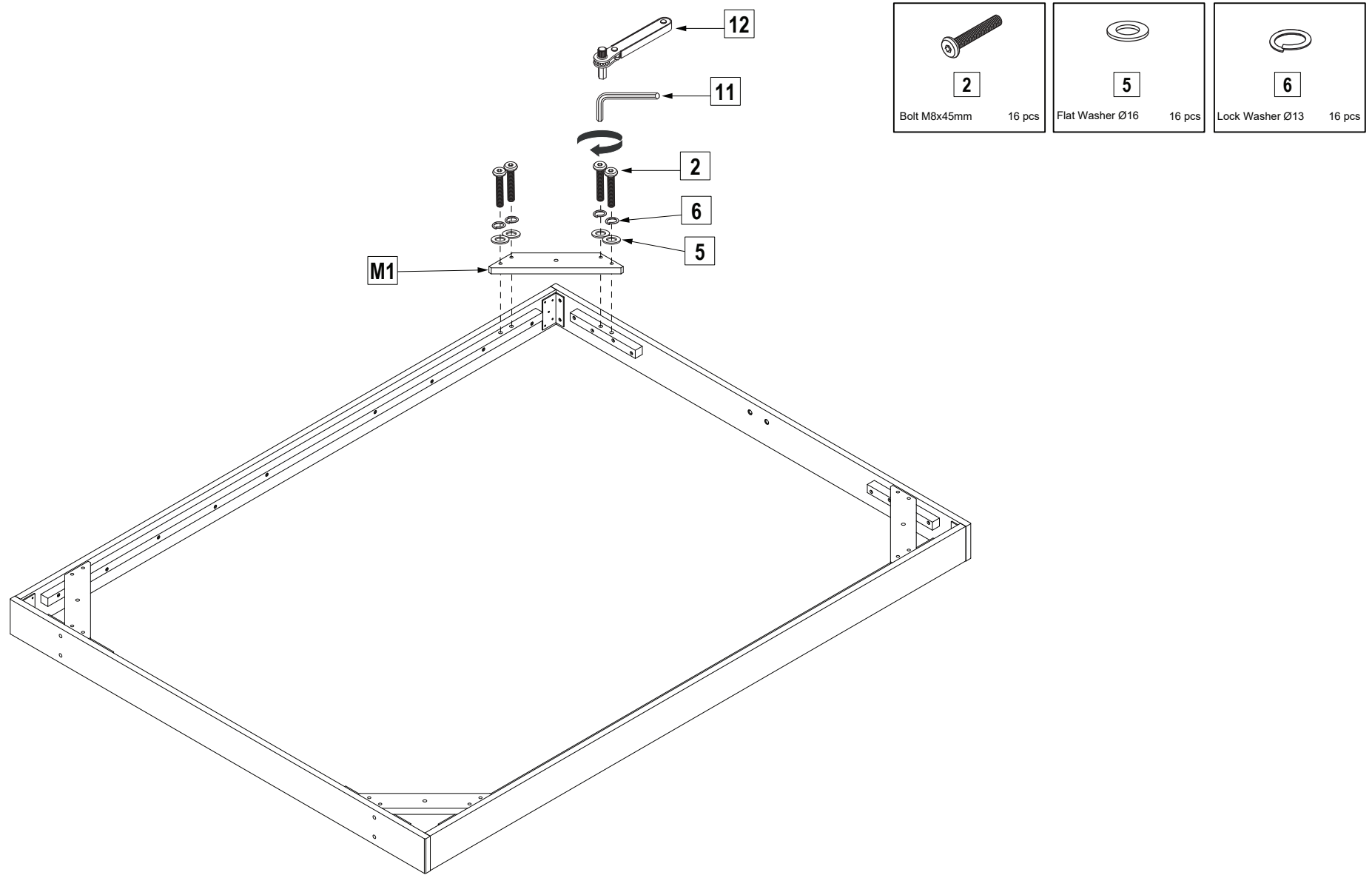
2

 1 Dowel Ø8x30mm 8 pcs	 3 Bolt M8x20mm 8 pcs	 5 Flat Washer Ø16 8 pcs	 6 Lock Washer Ø13 8 pcs
--	---	--	--

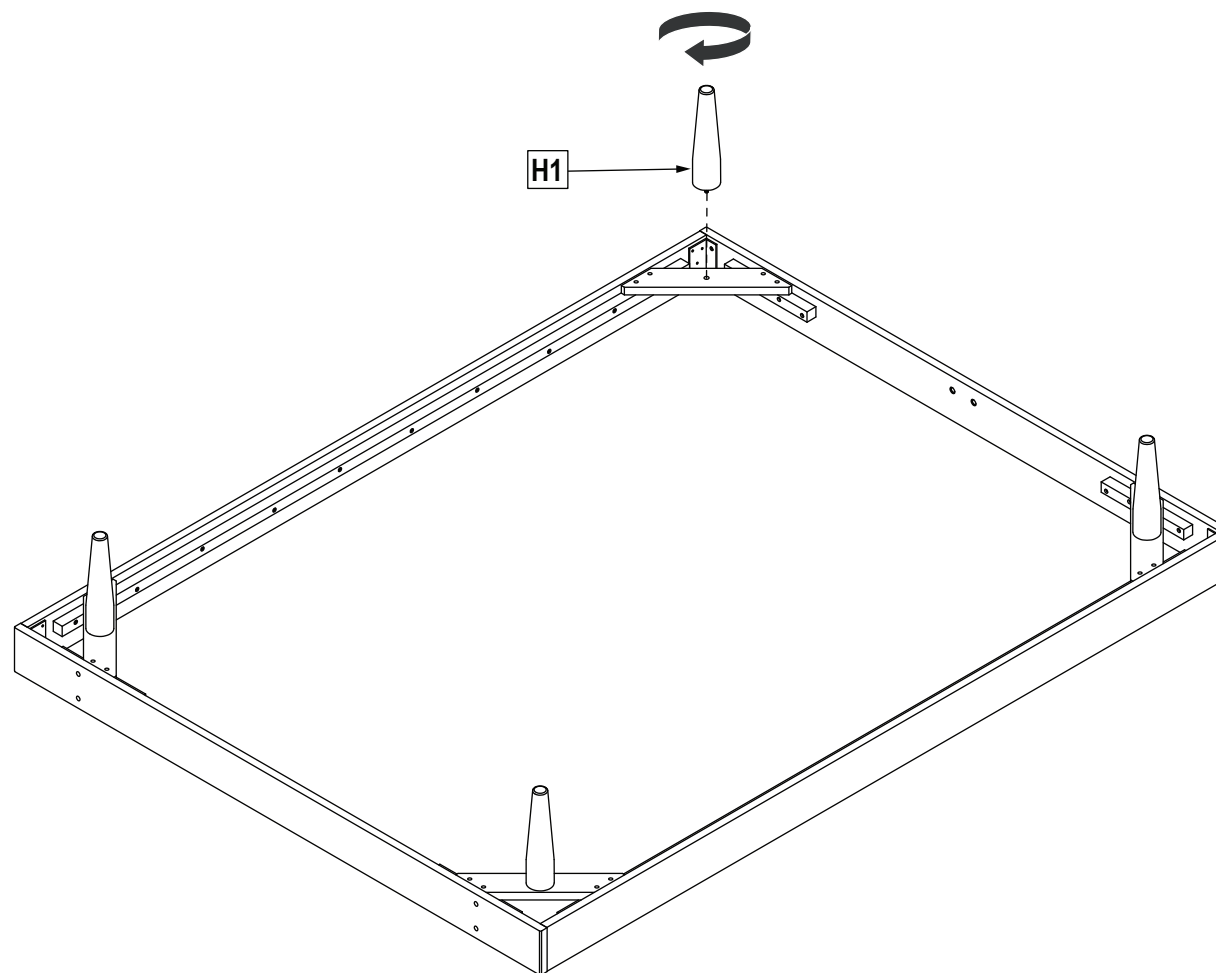


F-Q-K BED

3

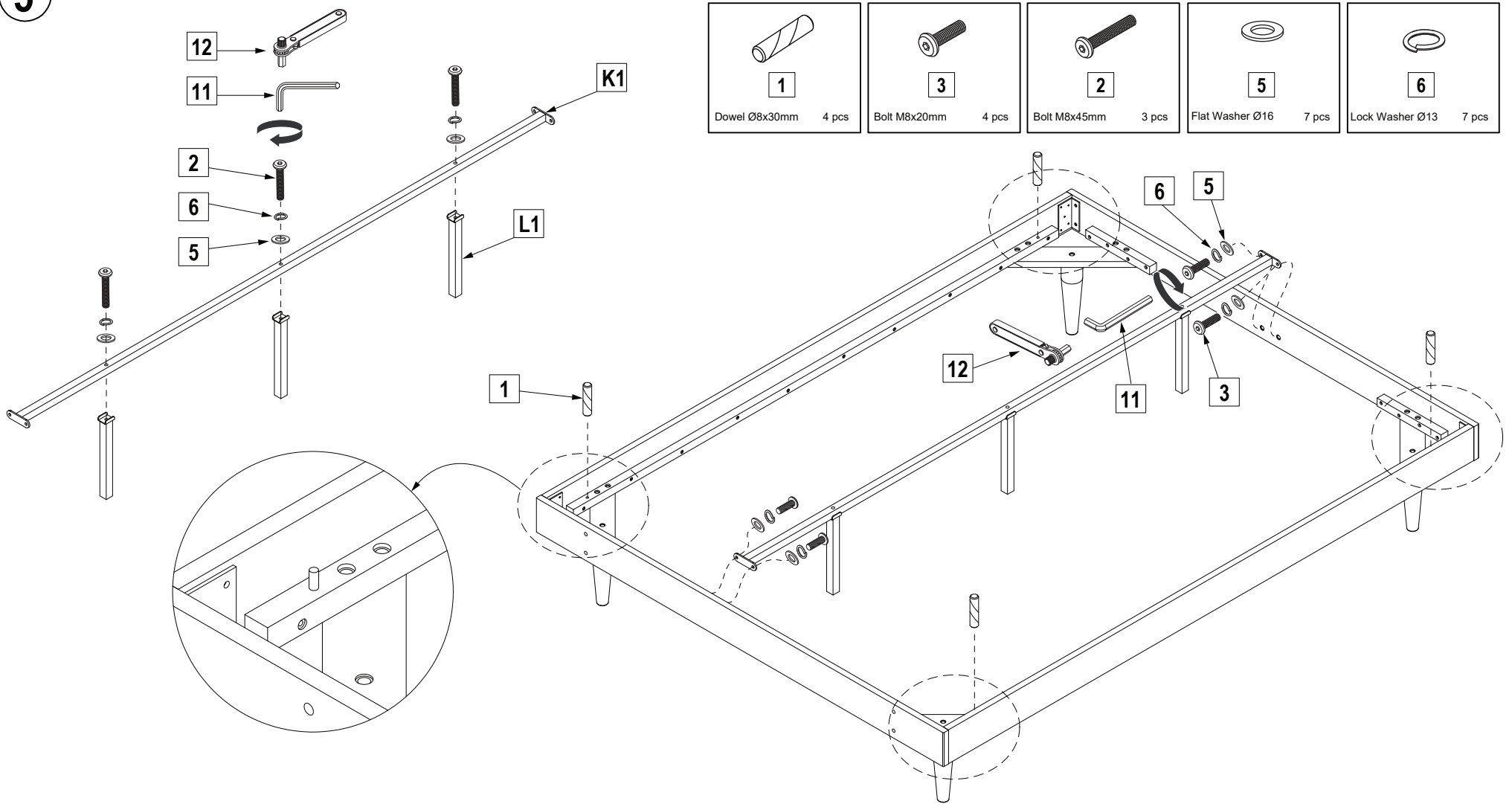


4






F-Q-K BED

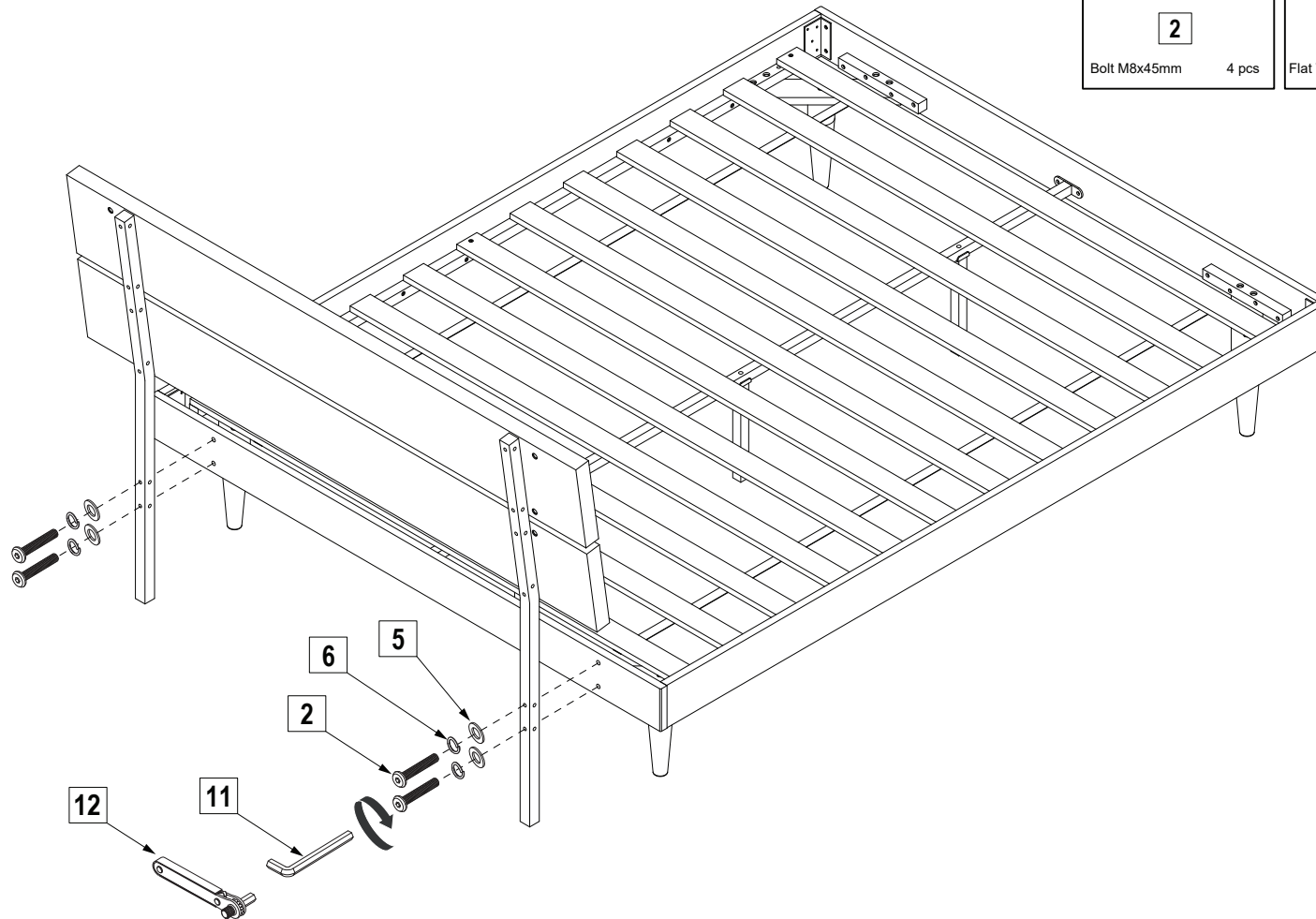
5



F-Q-K BED

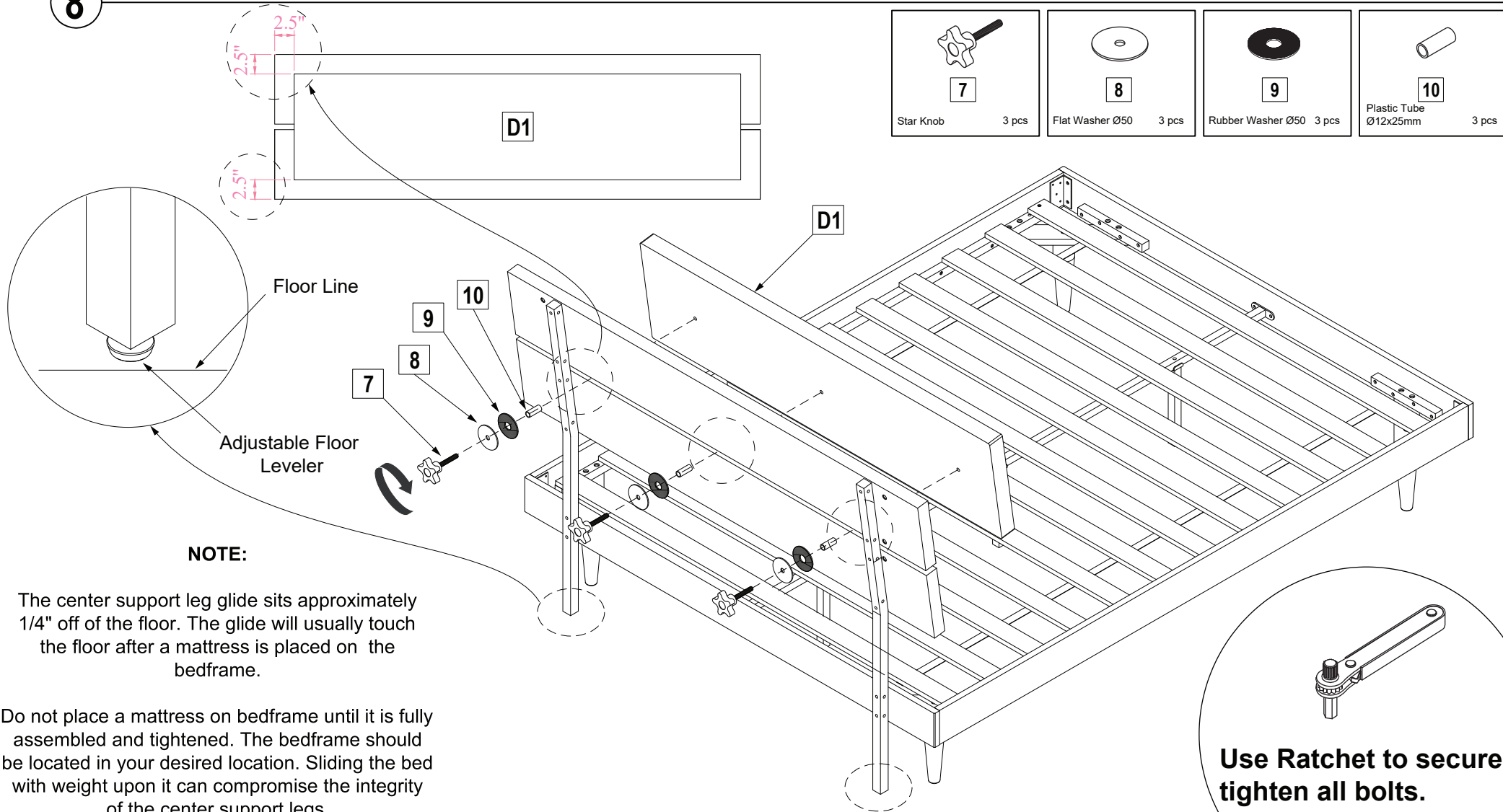
7

 2 Bolt M8x45mm 4 pcs	 5 Flat Washer Ø16 4 pcs	 6 Lock Washer Ø13 4 pcs
---	--	--



F-Q-K BED

8



NOTE:

The center support leg glide sits approximately 1/4" off of the floor. The glide will usually touch the floor after a mattress is placed on the bedframe.

Do not place a mattress on bedframe until it is fully assembled and tightened. The bedframe should be located in your desired location. Sliding the bed with weight upon it can compromise the integrity of the center support legs.

Use Ratchet to securely tighten all bolts.