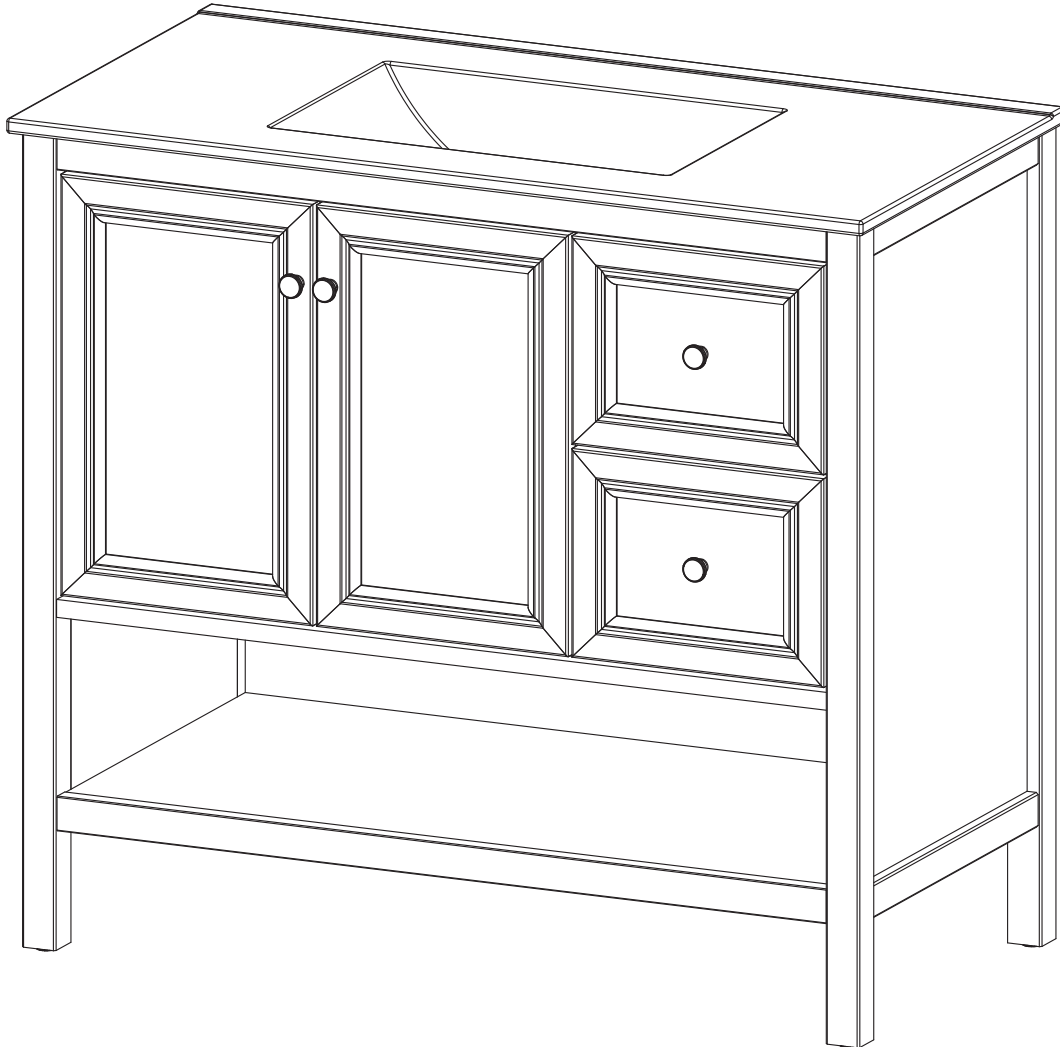


Freestanding Vanity

INSTALLATION INSTRUCTIONS

Swiss Madison®
well made forever



@SwissMadison
#WellMadeForever





PRIOR TO INSTALLATION:

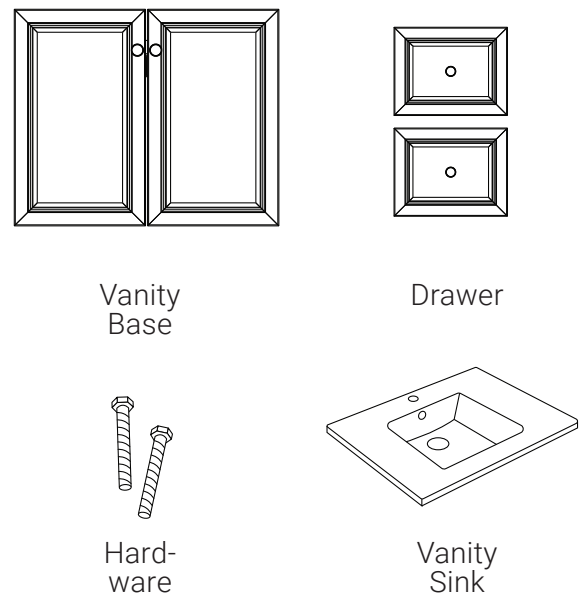
- Inspect product to ensure no damages have occurred while in shipping.
- Observe all plumbing and building codes in accordance with your state and local requirements.
- Floor must be level prior to installation of vanity.
- All dimensions are nominal! Be sure to measure your vanity prior to installation.
- The step-by-step guidelines in the installation instructions are a general reference. Should there be any discrepancies, Swiss Madison cannot be held liable. It is recommended to install all Swiss Madison products by hiring a licensed professional.
- Read installation instructions thoroughly before installing. Be sure to use proper tools and always wear proper personal safety accessories for your protection.

If you have any questions or concerns please contact us:
 1-434-623-4766
info@swissmadison.com

SUGGESTED TOOLS & MATERIALS:



INCLUDED PARTS:

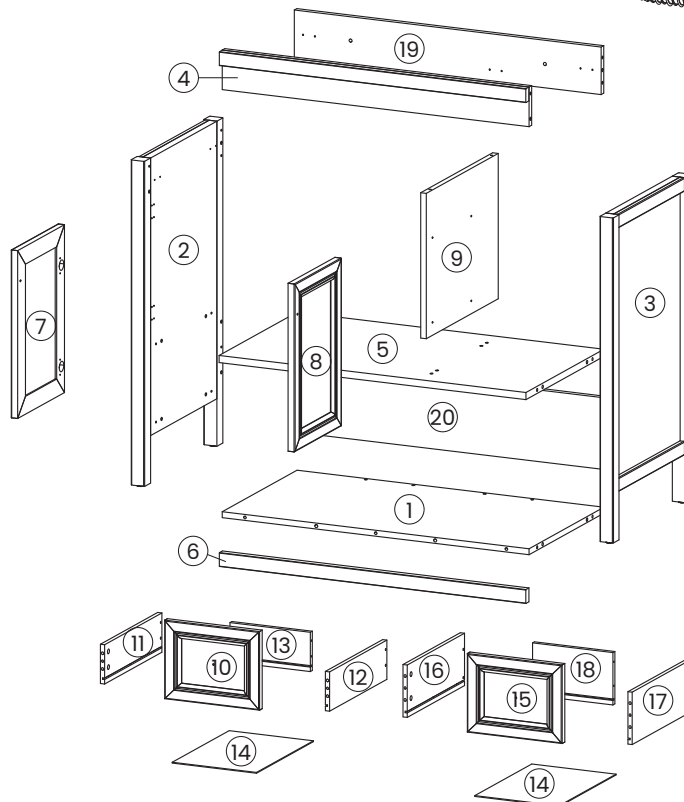
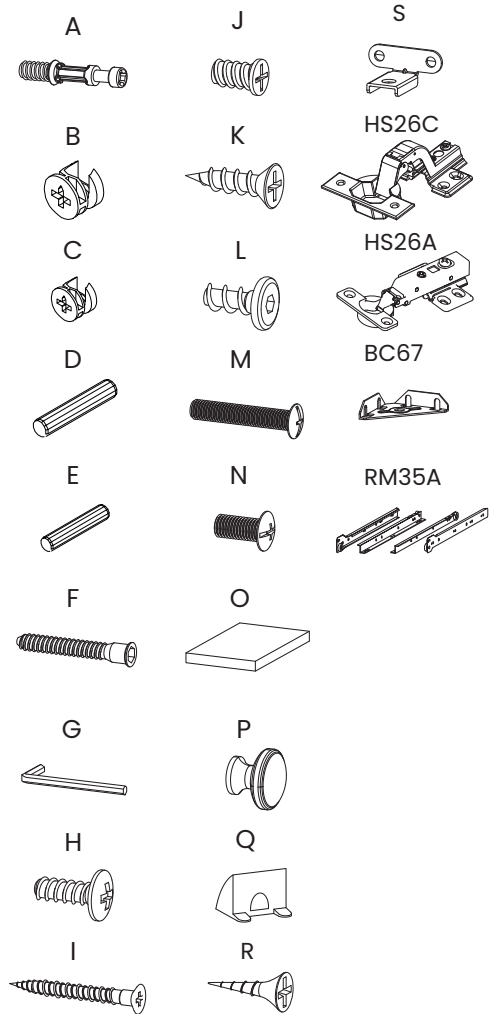


Parts for Reference:

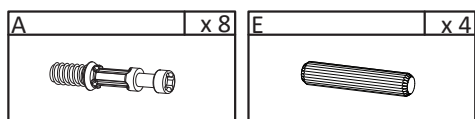
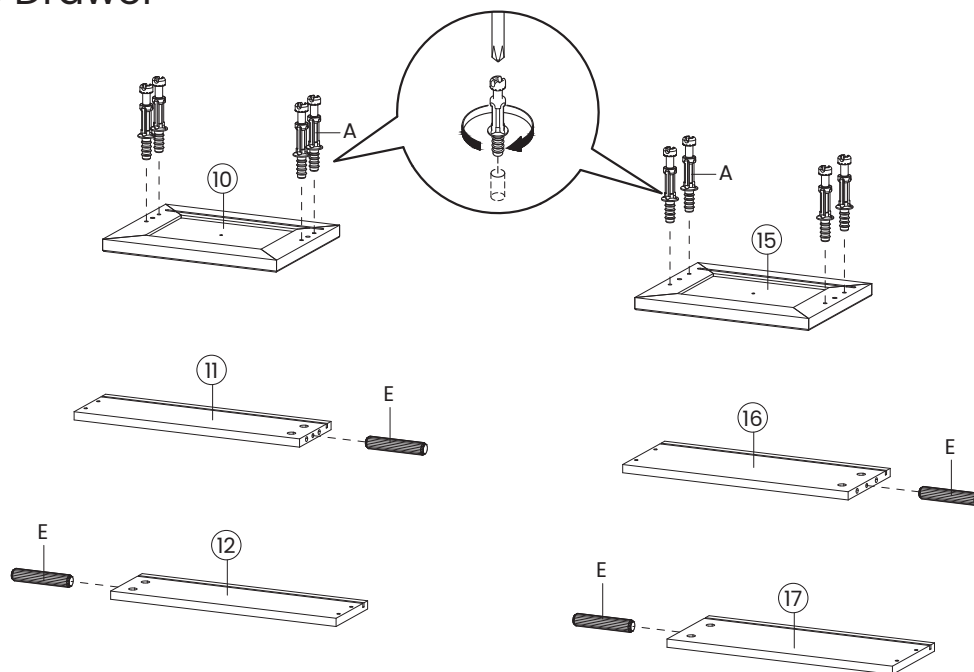
1. Base panel
2. Left side panel
3. Right side panel
4. Front cross bar
5. Fixed Shelf
6. Front Skirt
7. Left Door
8. Right Door
9. Center Panel
10. Front Drawer A
11. Side Drawer Left A
12. Side Drawer Right A
13. Back Drawer A
14. Bottom Drawer (2)
15. Front Drawer B
16. Side Drawer Left B
17. Side Drawer Right B
18. Back Drawer B
19. Rear top bar
20. Rear Bottom bar
- A. Cam bolt
- B. Cam bolt Big
- C. Cam bolt Small
- D. Dowel Big
- E. Dowel Small
- F. Screw M 7 x 50 mm
- G. Allen key (2)
- H. Screw M 4.5 x 12.5 mm
- I. Screw M 8 x 39 mm
- J. Screw M 6 x 10.5 mm
- K. Screw M 3.5 x 13 mm
- L. Screw M 6.4 x 14 mm
- M. Screw M 4 x 25 mm
- N. Screw M 4 x 12 mm

Parts for Reference:

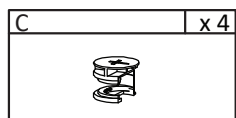
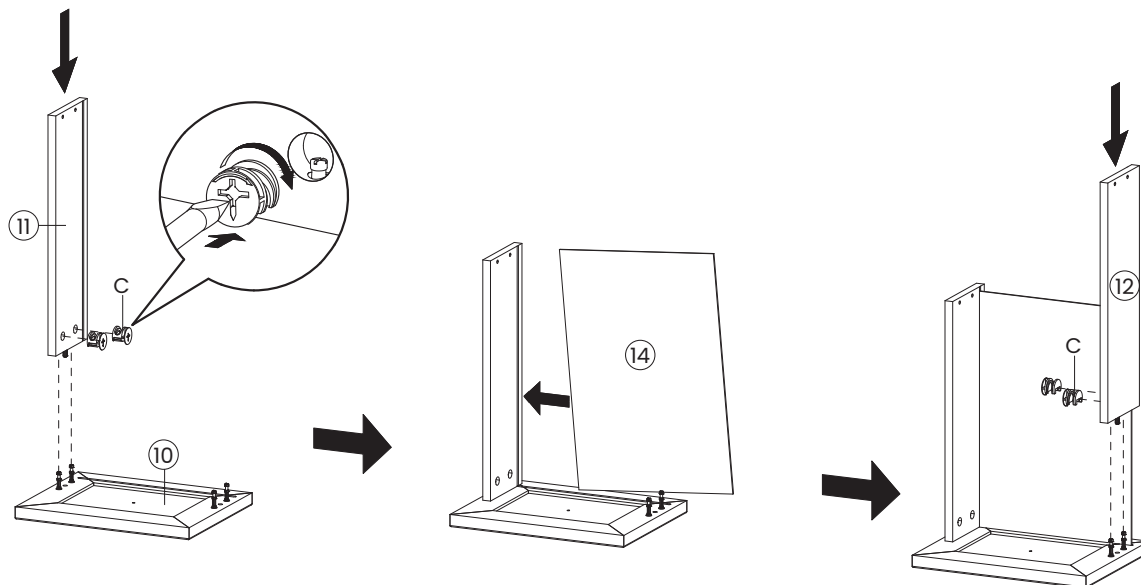
- O: Foam Pad
 P: Handle
 Q: Wedge
 R: Screw M 3.5 x 15.5 mm
 S: Bracket
 HS26C: Hinge
 HS26A: Hinge
 BC67: Corner Brace
 RM35S: Drawer Runner



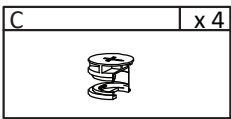
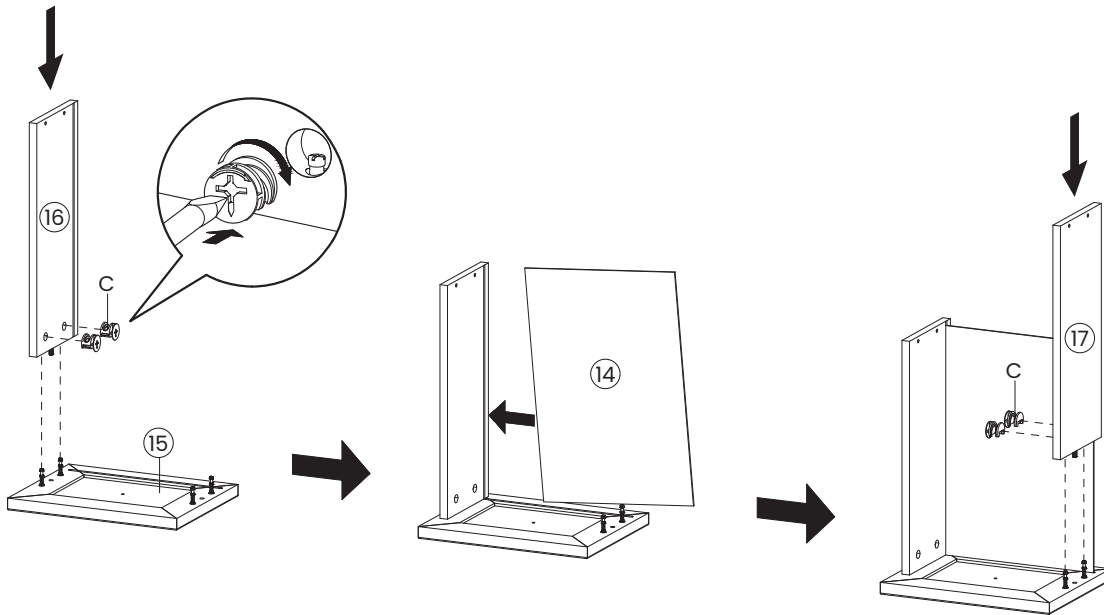
1. Prepare Drawer



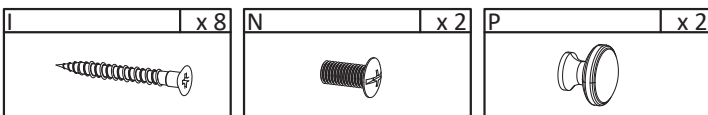
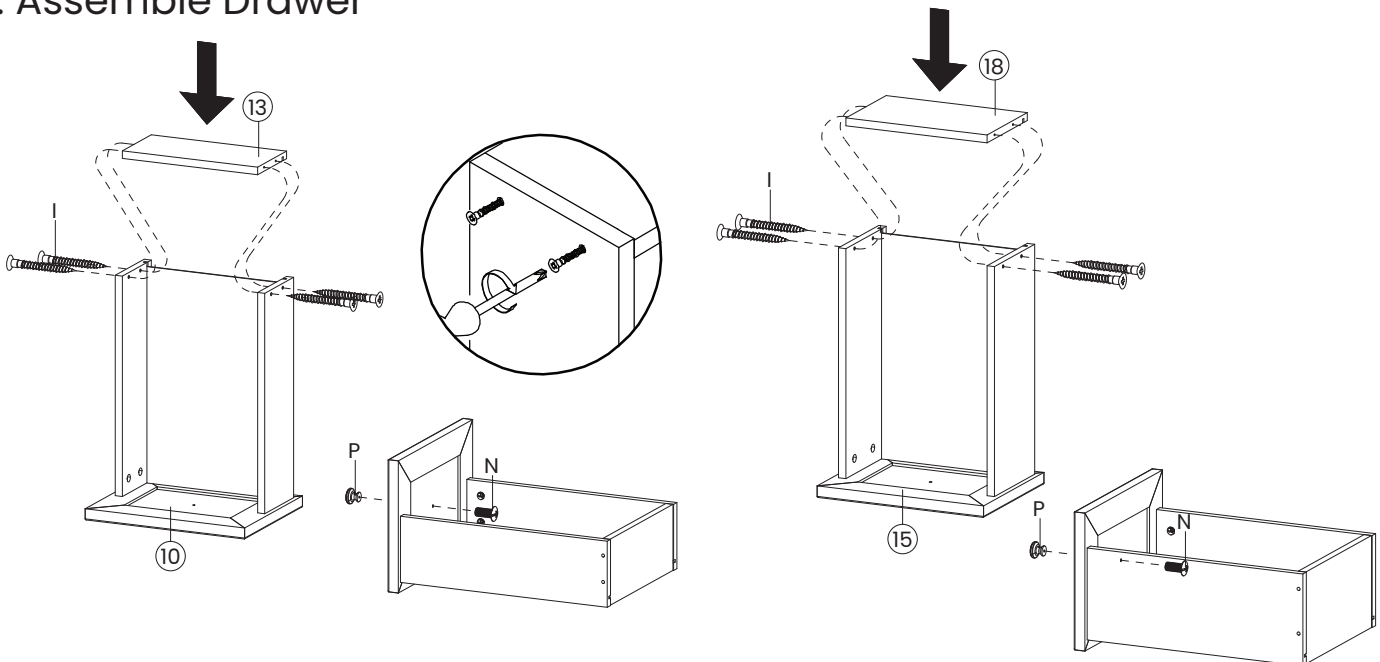
2. Assemble Drawer



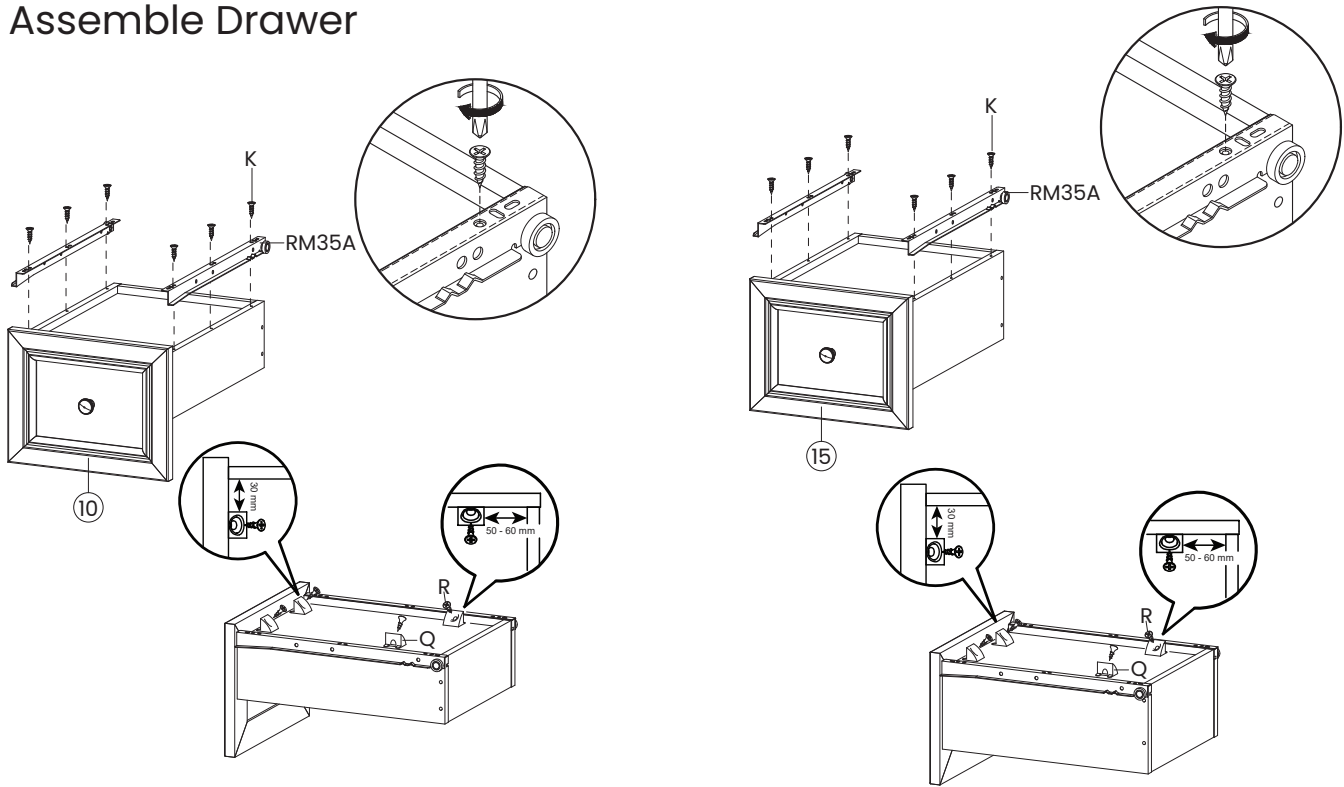
3. Assemble Drawer



4. Assemble Drawer

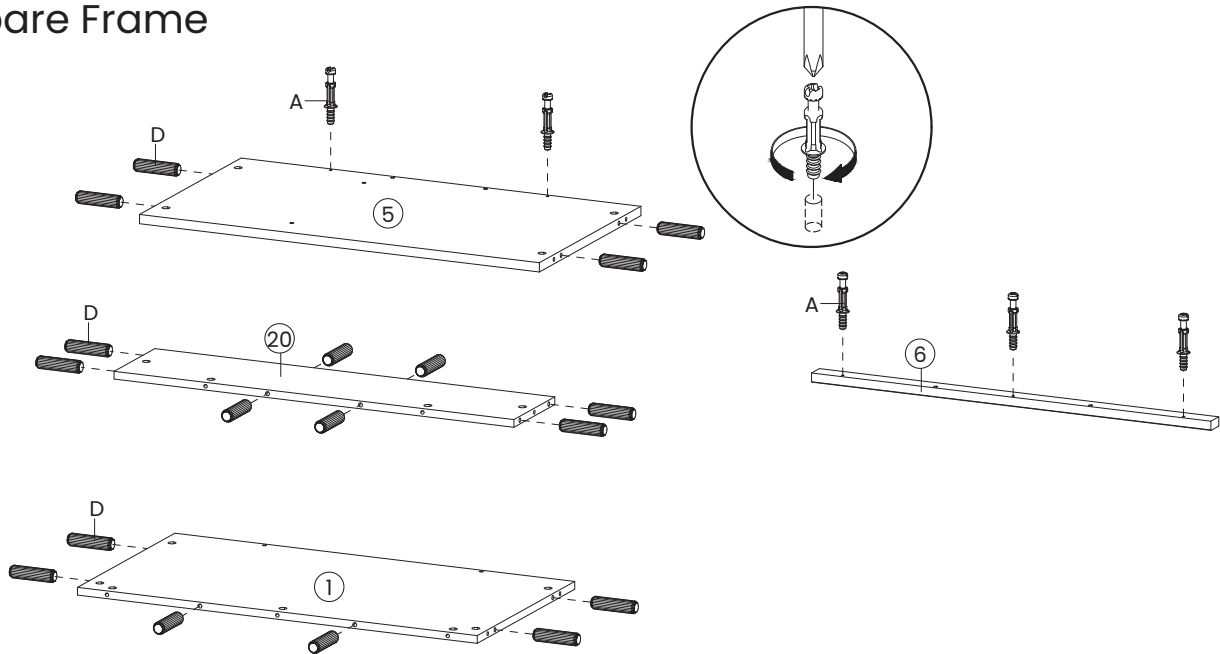


5. Assemble Drawer



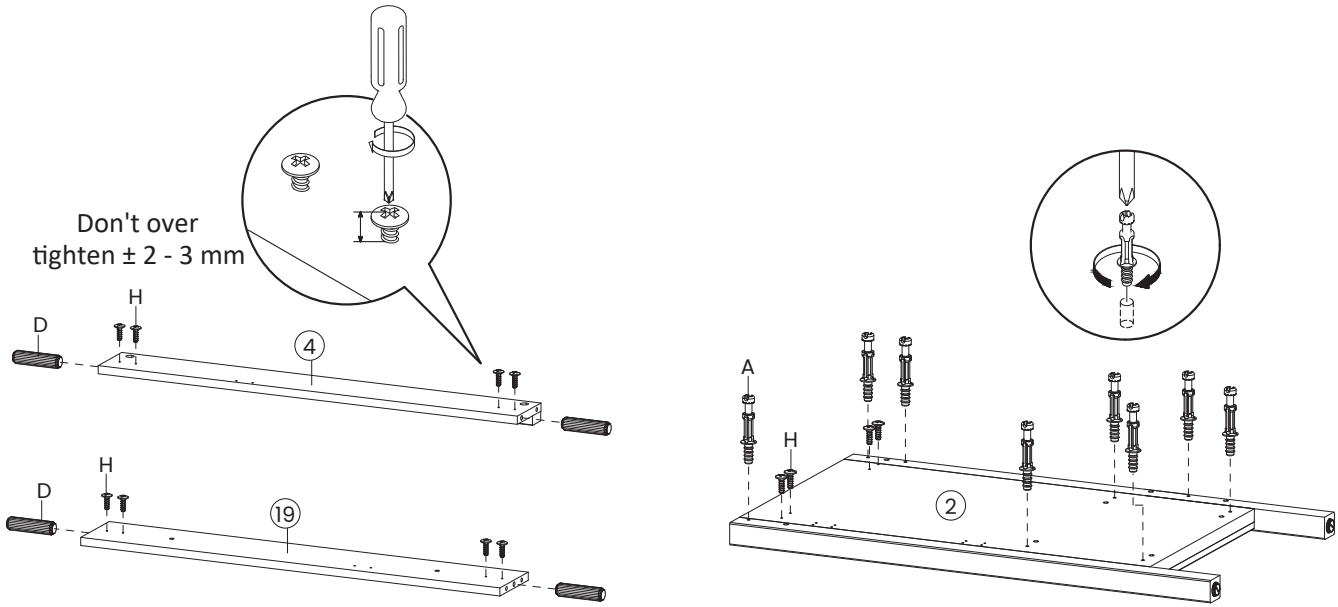
K	x 12	Q	x 8	R	x 8	RM35A	x 2

6. Prepare Frame



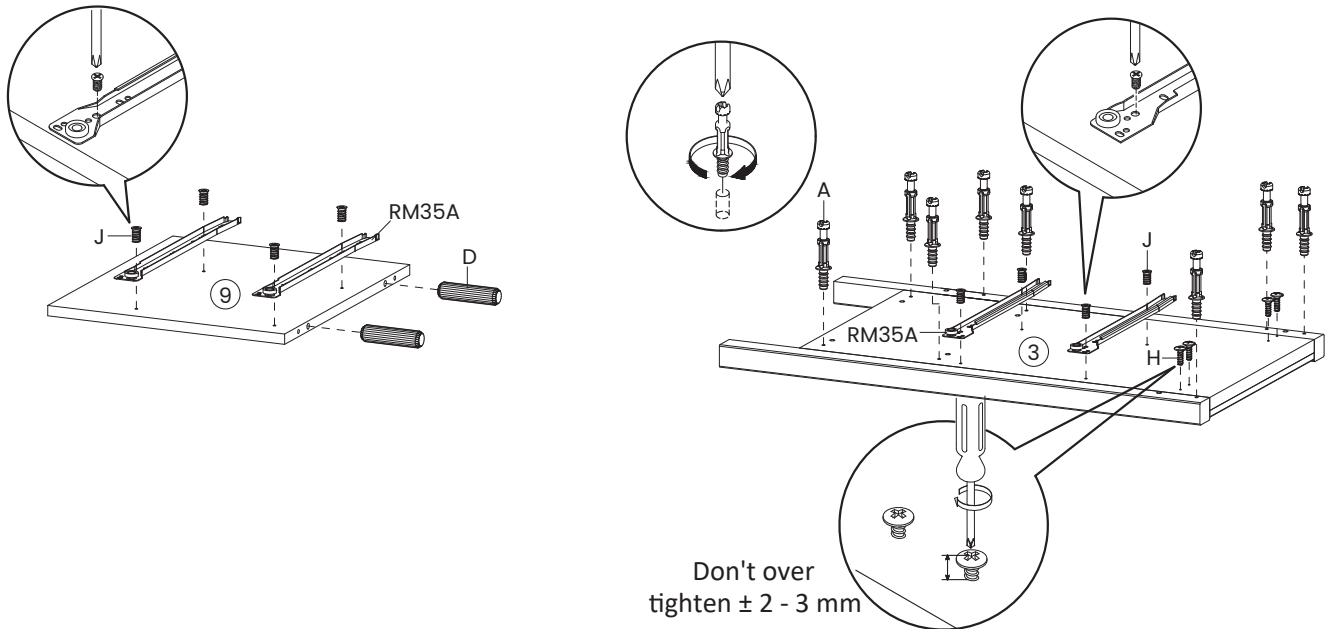
A	x 5	D	x 18

7. Prepare Frame & Side panel



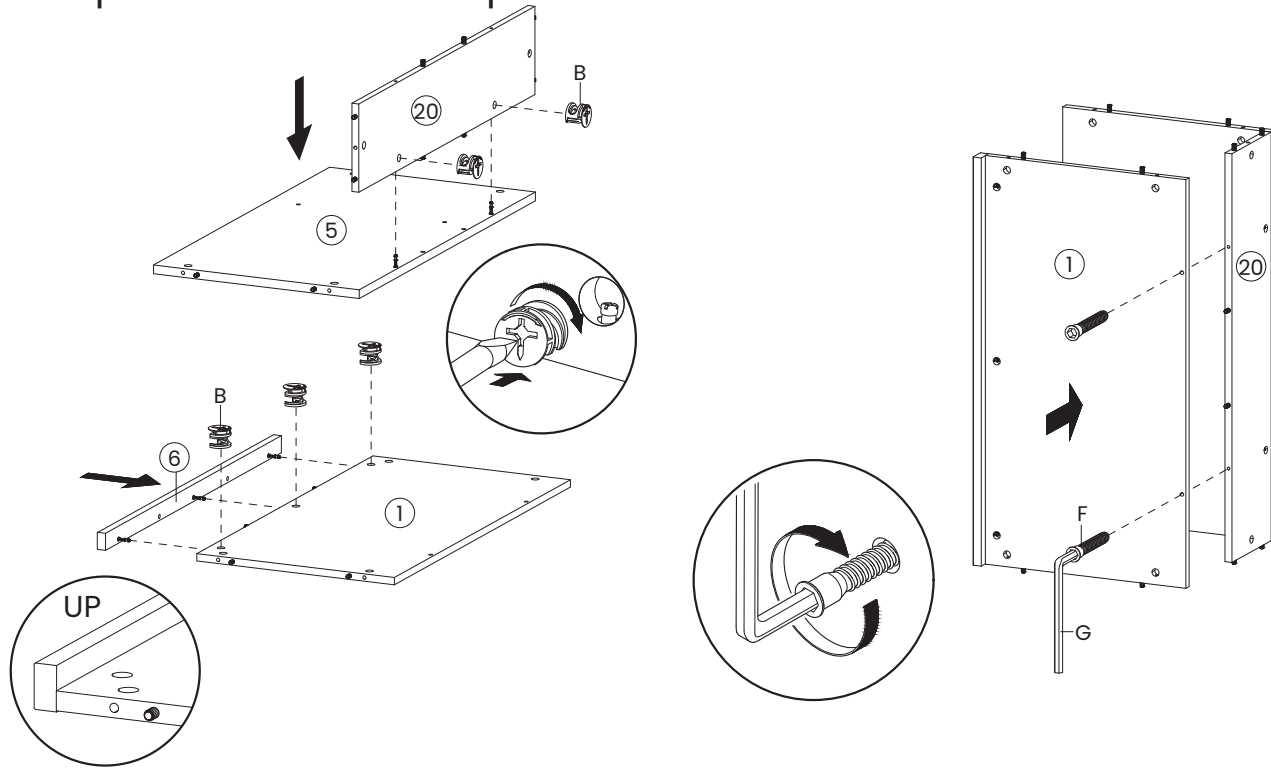
A	x 8	D	x 4	H	x 12




8. Prepare Frame & Side panel



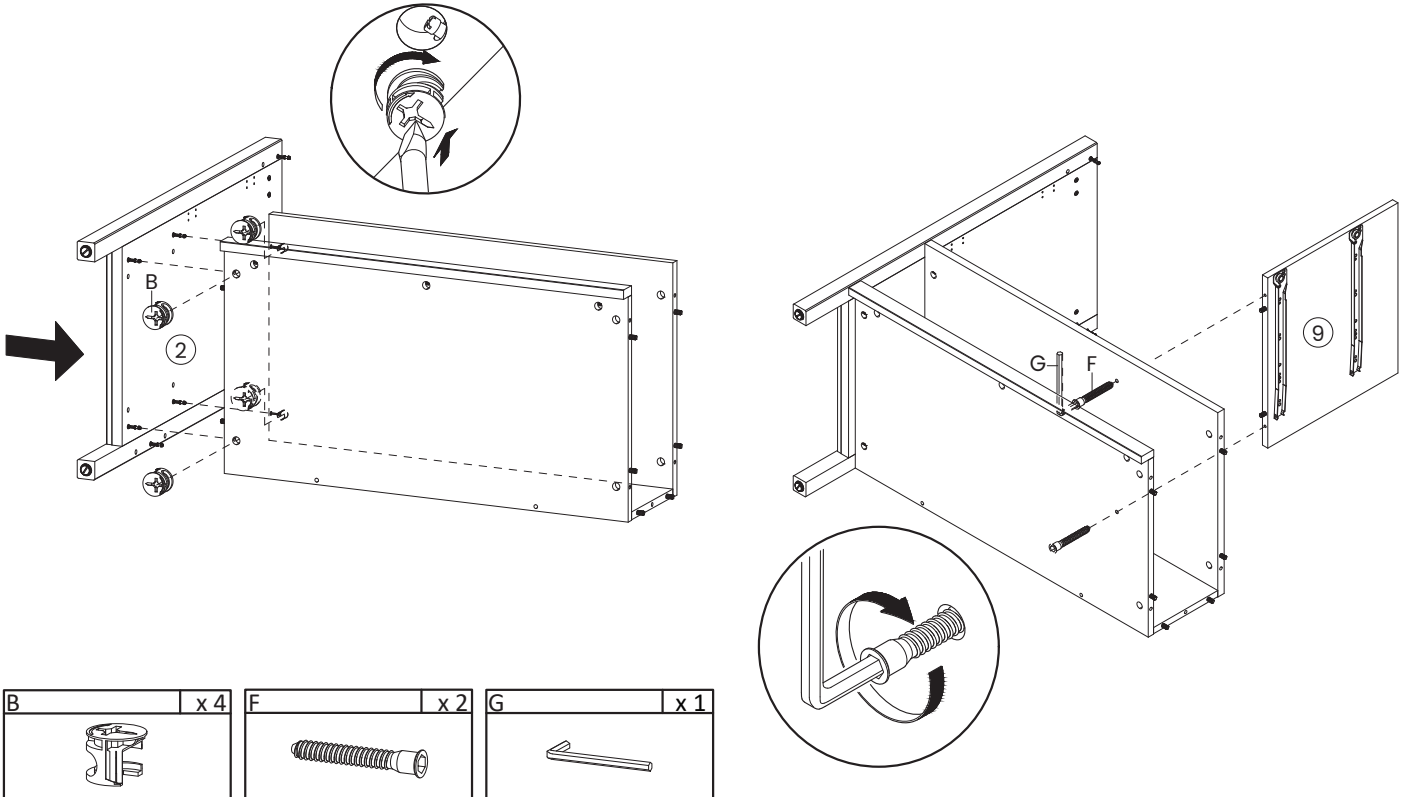
A	x 8	D	x 2	H	x 4	J	x 8	RM35A	x 2




9. Prepare Frame & Base panel



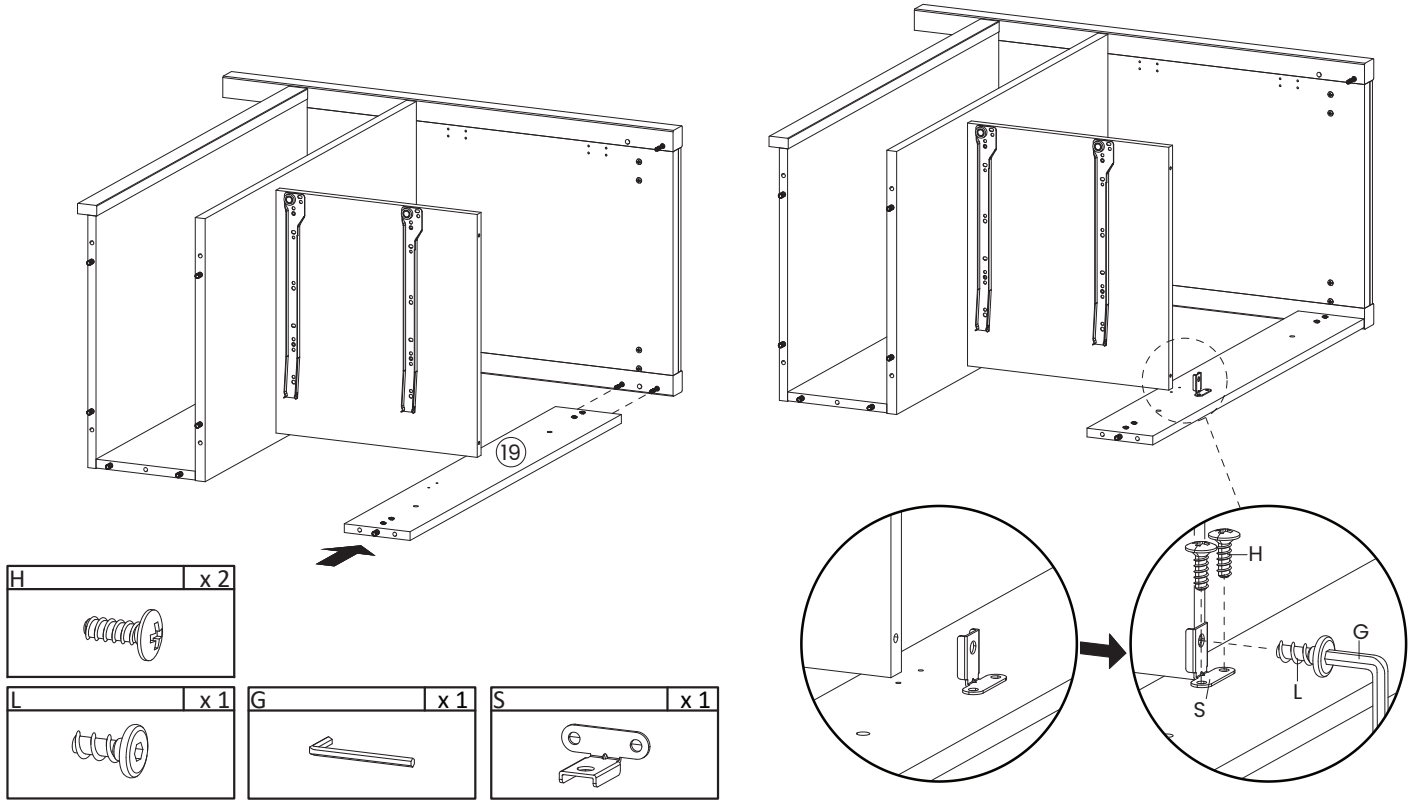
B	x 5	F	x 2	G	x 1
					

10. Assemble Frame & Side Panel

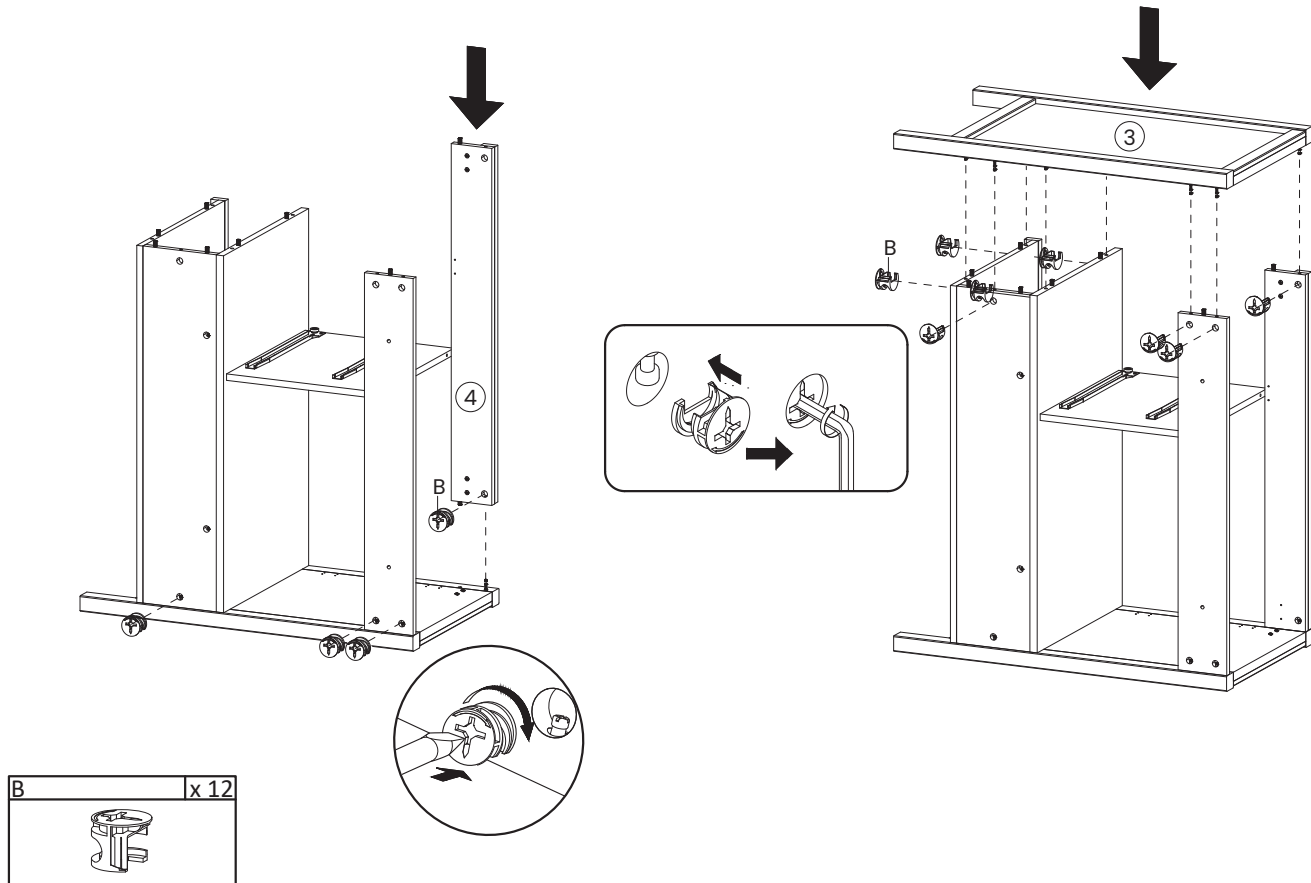


B	x 4	F	x 2	G	x 1
					

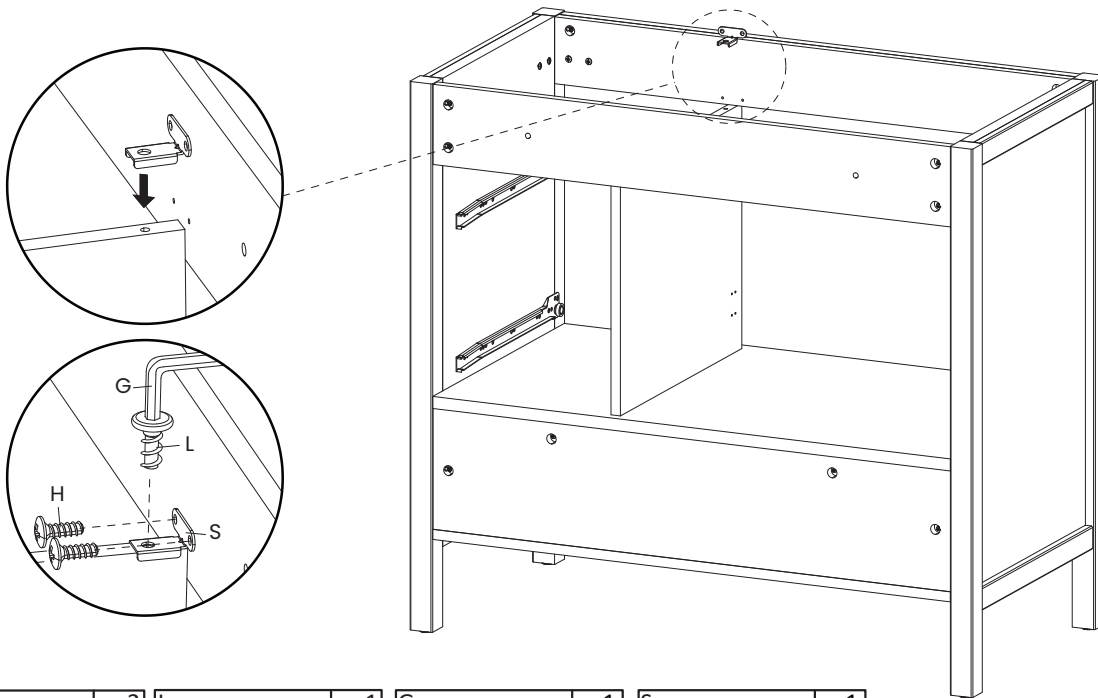
11. Assemble Frame

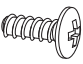


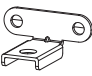


12. Assemble Frame & Side Panel

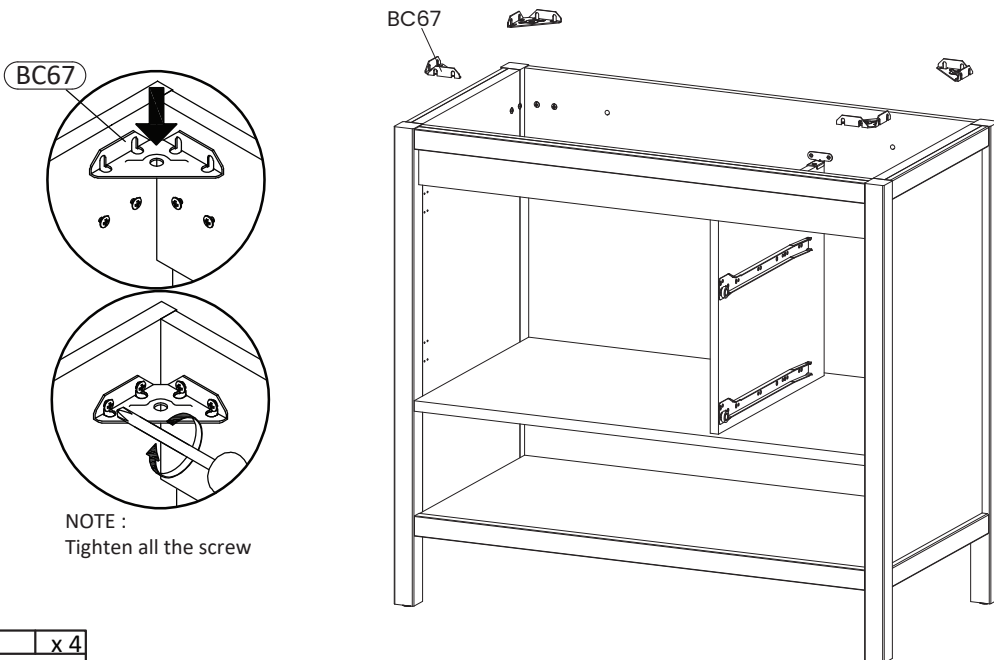


13. Attach Bracket & Screw




H	x 2	L	x 1	G	x 1	S	x 1
							

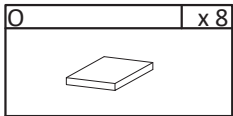
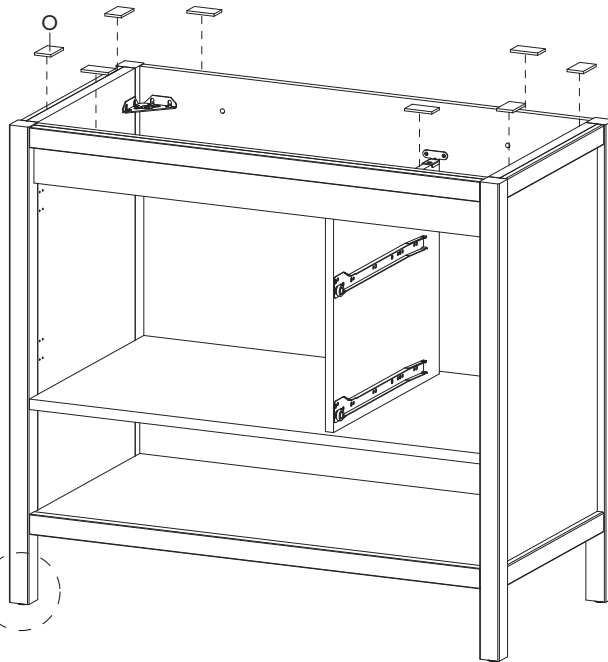
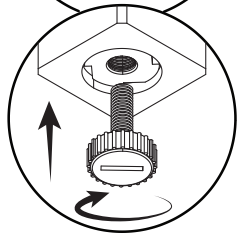
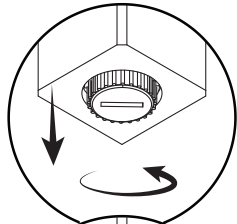
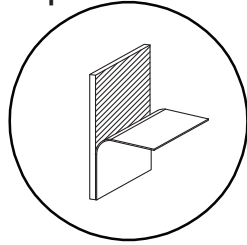
14. Prepare Cabinet for Installation



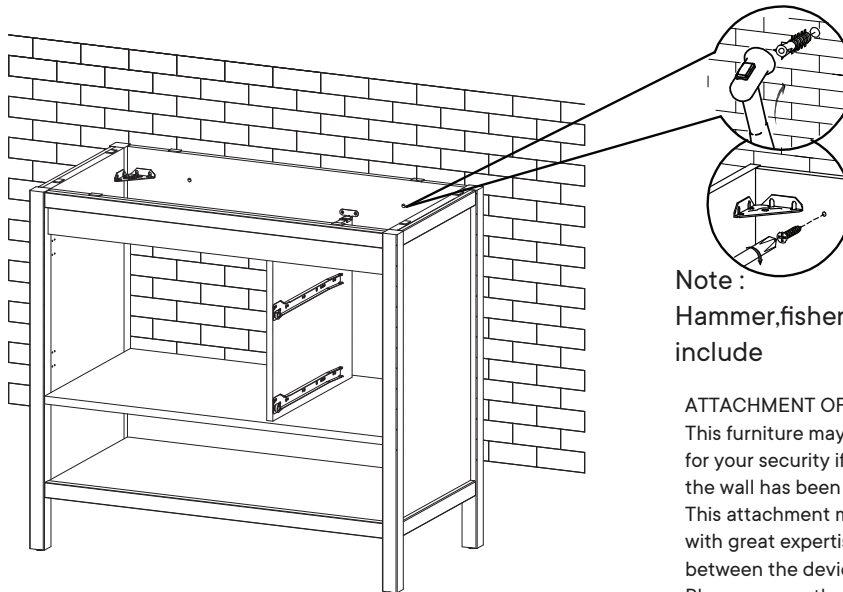
NOTE :
Tighten all the screw

BC67	x 4
	

15. Attach the Foam pad and Set the leg



16. Secure Vanity to Wall

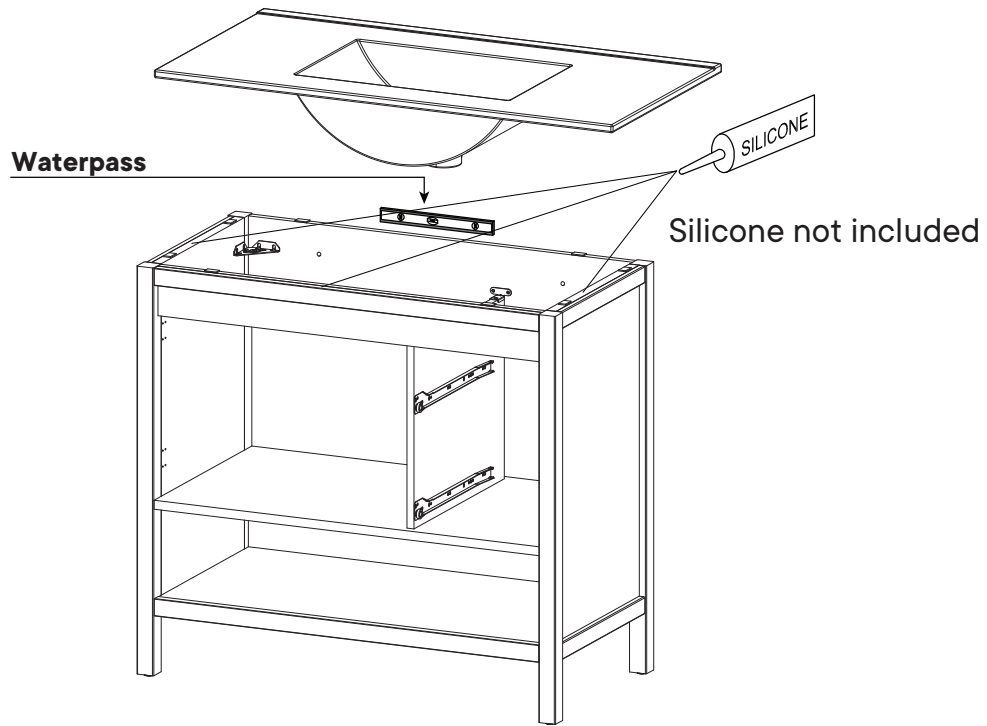


Note :
Hammer, fisher and screw not include

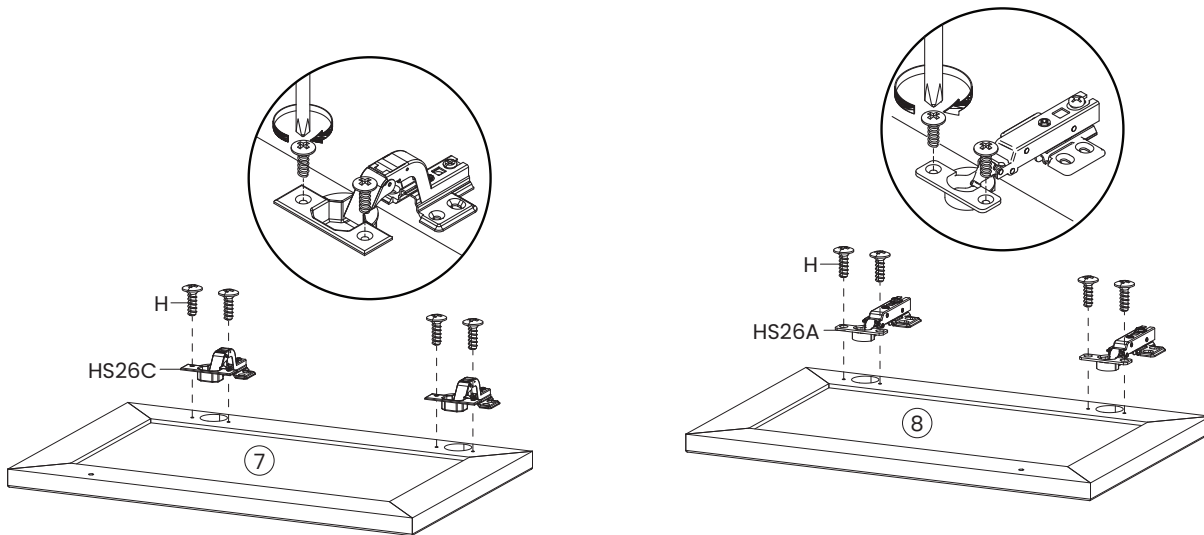
ATTACHMENT OF FURNITURE
This furniture may represent a danger for your security if its attachment on the wall has been done in an incorrect way. This attachment must be done by a person with great expertise who will make sure adequacy between the device of fixing and the wall. Please source the right fitting according to the wall type. For your safety, it is imperative to fix your furniture to the wall



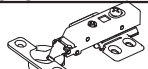
17. Vanity Top Installation

Apply a thin bead of silicone compound around the vanity base and set the vanity top carefully in place. Remove any excess silicone compound with a wet rag

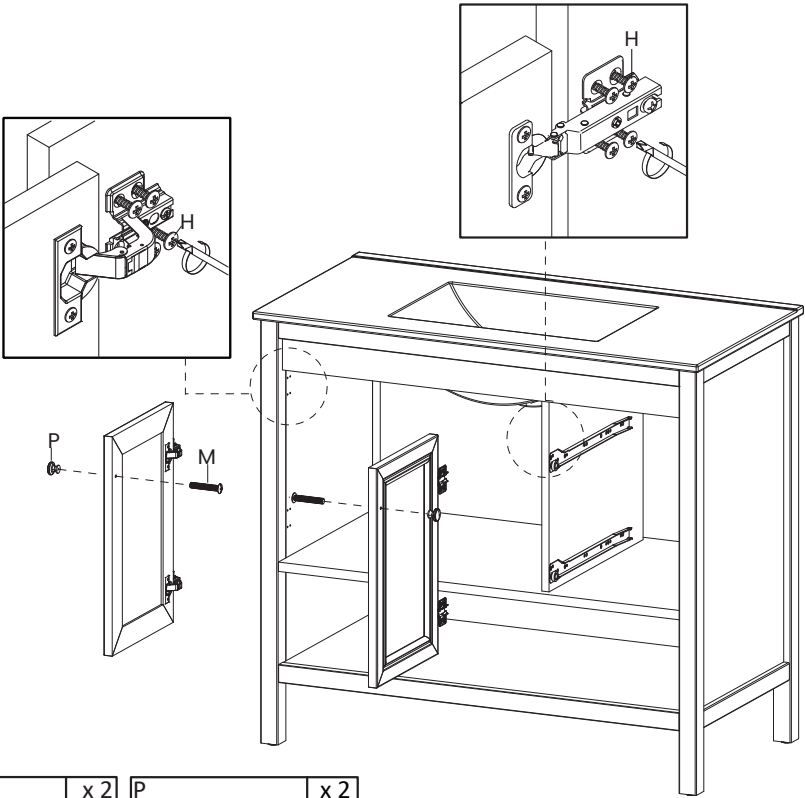


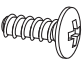


18. Attach Doors



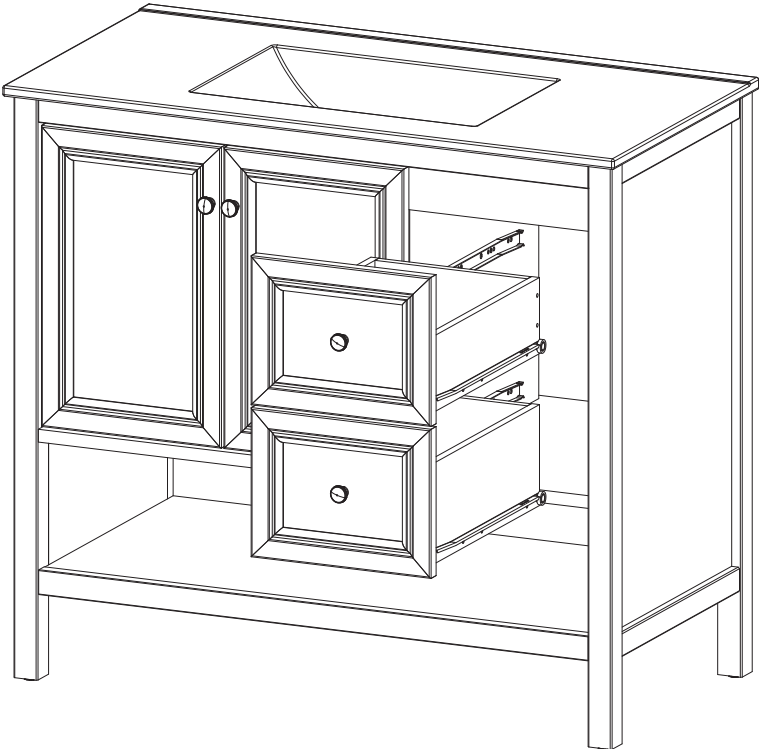
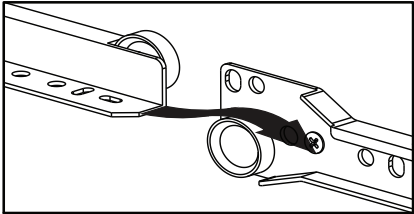
H	x 8	HS26C	x 2	HS26A	x 2
					

19. Attach Doors



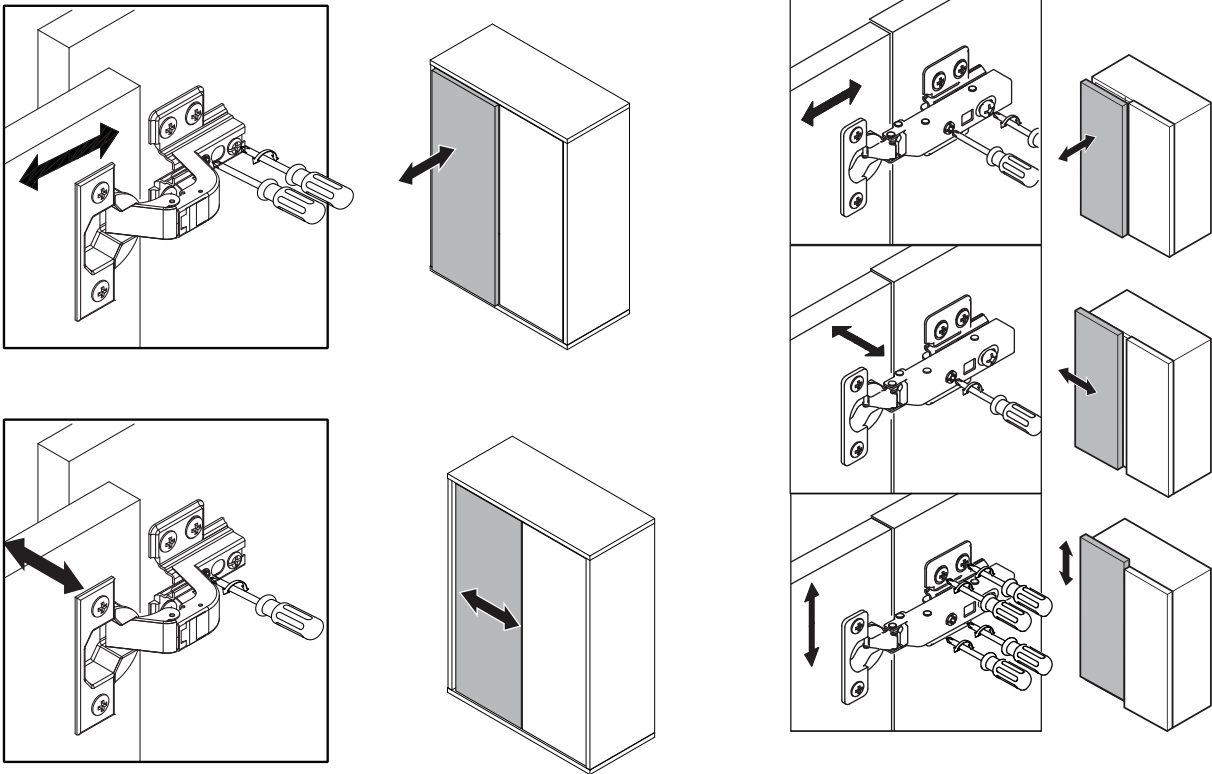
H	x 16	M	x 2	P	x 2
					

20. Attach Drawer



Hinge/Door Adjustment and Alignment

• If adjustment or realignment is needed, follow the instructions provided in the following chart.



ONE YEAR LIMITED WARRANTY

Swiss Madison products are made with quality materials and excellent craftsmanship to provide our customers with beautiful, durable, long-lasting products. Should there be any defects in materials or craftsmanship under regular use that are discovered within the first year of installation, Swiss Madison will provide replacement parts at no charge, or at its discretion, replace any product or part of the product that is deemed defective, under normal installation, use, service or maintenance. This warranty applies only to the original purchaser. Proof of purchase will be required in the instance of a claim.

Swiss Madison recommends all installations of Swiss Madison products to be conducted by a licensed, professional plumber or contractor. Swiss Madison will not be held responsible for any damage or product failure due to improper installation, misuse, or failure to utilize a licensed professional for installation. Swiss Madison is not responsible for any installation or removal costs.

This One Year Limited Warranty Will Be Voided If:


- The installation recommendations were not followed by the installer
- The product has been moved from its initial place of installation
- The product has in any way been modified from its packaged state
- The product has been subjected to improper maintenance, abuse, misuse, excessive use of chemicals, accidents, or other damages, etc.

Swiss Madison makes no implication that its products comply with any local building or plumbing codes. It is the consumer's responsibility and obligation to determine local code compliance prior to and during installation. This warranty extends only to the original purchaser and first consumer.

Swiss Madison is not responsible for any special, incidental or consequential damages associated with the installation, replacement, return or use of the original purchaser's product. This includes, but is not limited to: freight costs, labor, travel time, lost profit, home damages and other contingent liabilities and costs (including, without limitation, costs associated with 'professionals' or 'experts', investigations, audits, analyses, attorneys and any other professional/hired services).

The Swiss Madison warranty is a comprehensive and explicit limit of liability. All items not disclosed within the warranty are not addressable within the responsibility of Swiss Madison. Certain states have variances regarding implied warranties; in those situations, we remain fully compliant.

**If you have any questions or concerns, please contact us directly at
1-434-MADISON (623-4766)**

 **WARNING:** Contents of your order may contain sharp and possibly other harmful pieces and may cause hazard to children and adults. Swiss Madison is not responsible in any way for personal damages.