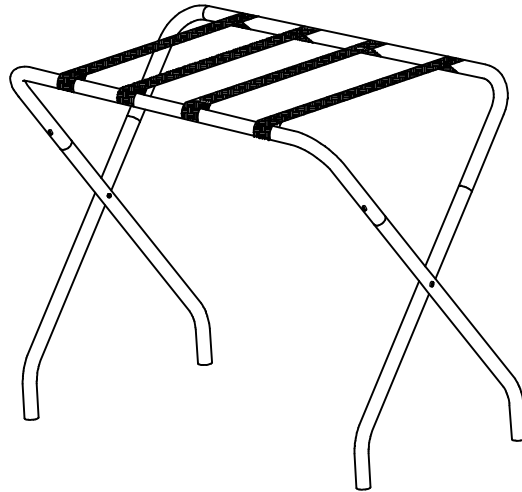


# ASSEMBLY INSTRUCTIONS

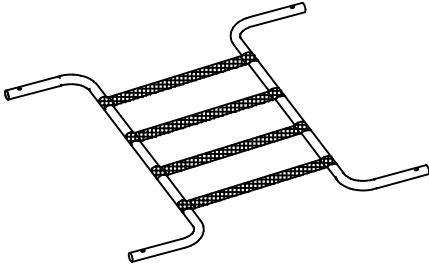
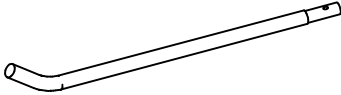
## Style# LRK159 Luggage Rack








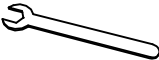
### NOTE TO CUSTOMERS:

- For ease and speed of assembly we recommend that before you commence each step of the assembly that you identify all the parts required to complete that step.
- We recommend that where possible you allow sufficient space to assemble the item as close as possible to the place where it will be once assembled.
- For the protection of your furniture we recommend that the product is placed on protected surfaces during assembly to prevent any damage.
- During assembly do not over tighten, as this may damage the product.
- Please ensure you retain all the product packaging until the item completely assembled.
- Please periodically check all fittings and re-tighten as necessary.
- Never allow any liquids to remain on your furniture as absorption can cause the wood to warp or the finish to de-laminate.
- It is recommended that this item should be assembled by two adults.

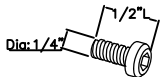
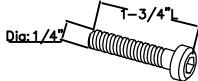
# Part List

<p>A1. <span style="float: right;">Quantity of 1</span></p> <div style="text-align: center; margin: 20px 0;">  </div> <p style="text-align: center;">Upper Frame with belt</p>	<p>A2. <span style="float: right;">Quantity of 4</span></p> <div style="text-align: center; margin: 20px 0;">  </div> <p style="text-align: center;">Lower leg</p>
---	--

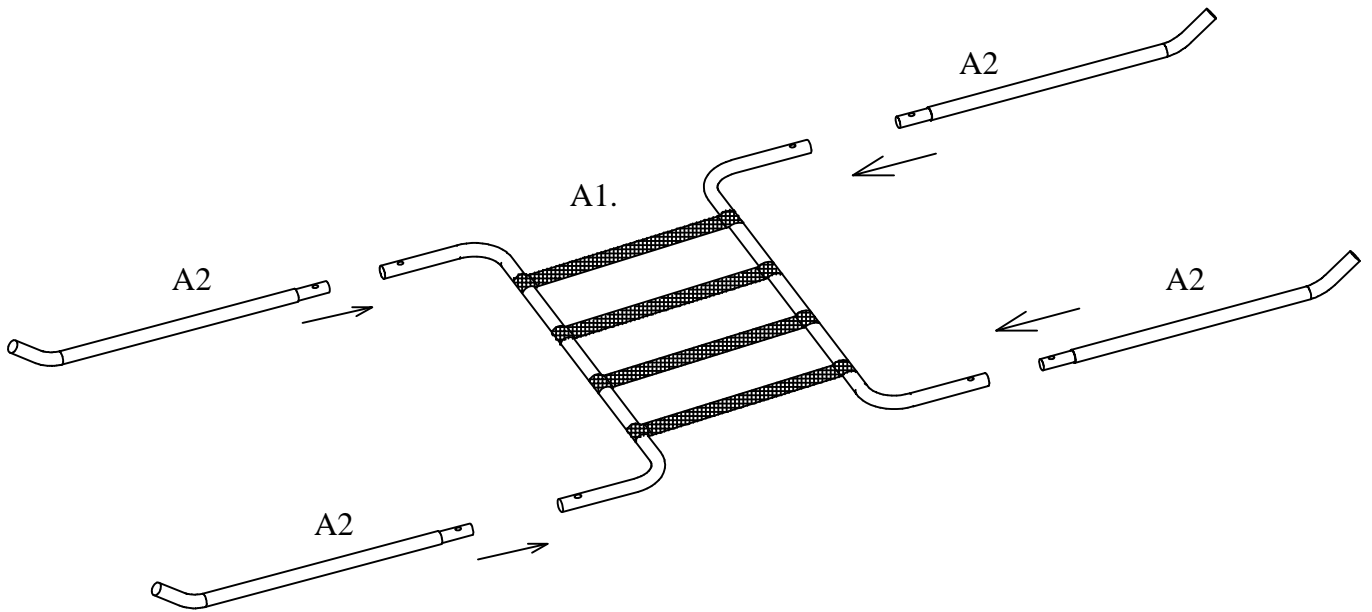
# Hardware List

<p>B1. <span style="float: right;">Quantity of 4</span></p> <div style="text-align: center; margin: 10px 0;">  </div> <p style="text-align: center;">Bolt</p>	<p>B2. <span style="float: right;">Quantity of 2</span></p> <div style="text-align: center; margin: 10px 0;">  </div> <p style="text-align: center;">Bolt</p>	<p>B3. <span style="float: right;">Quantity of 2</span></p> <div style="text-align: center; margin: 10px 0;">  </div> <p style="text-align: center;">Screw</p>	<p>B4. <span style="float: right;">Quantity of 2</span></p> <div style="text-align: center; margin: 10px 0;">  </div>
<div style="text-align: center; margin: 10px 0;">  </div> <p style="text-align: center;">Allen Wrench</p>	<div style="text-align: center; margin: 10px 0;">  </div> <p style="text-align: center;">Open Wrench</p>		

## APPENDIX: Dimension of Hardwares in this AI.


<p>B1.</p> <div style="text-align: center; margin: 10px 0;">  </div>	<p>B2.</p> <div style="text-align: center; margin: 10px 0;">  </div>
---	--

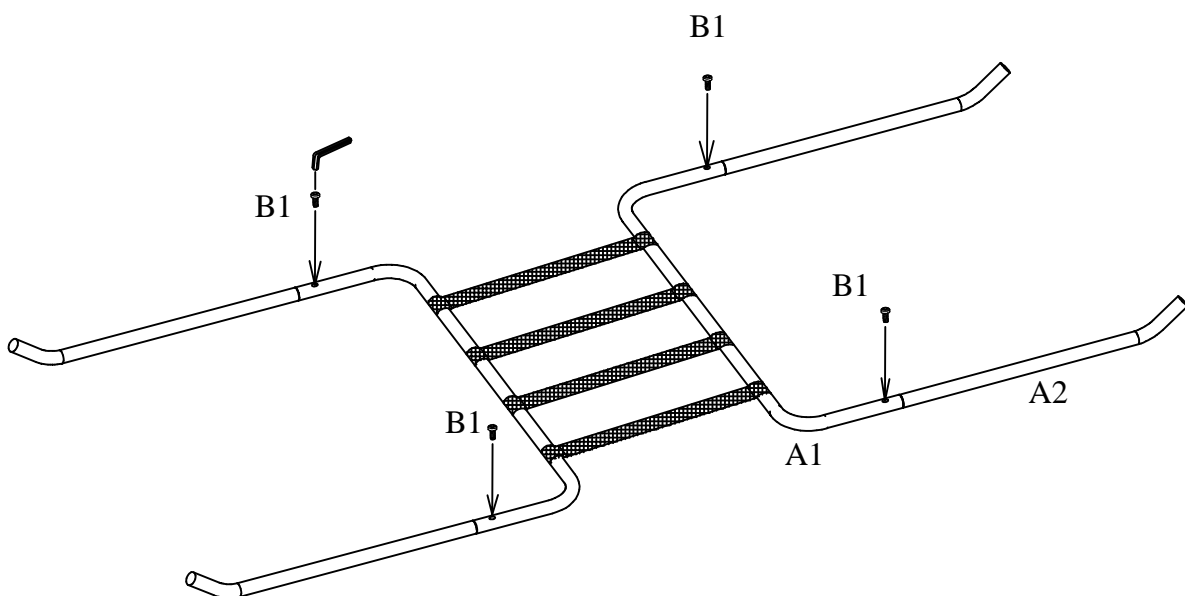
# STEP 1



Insert Lower Legs A2 into Upper Frame A1 as shown above.

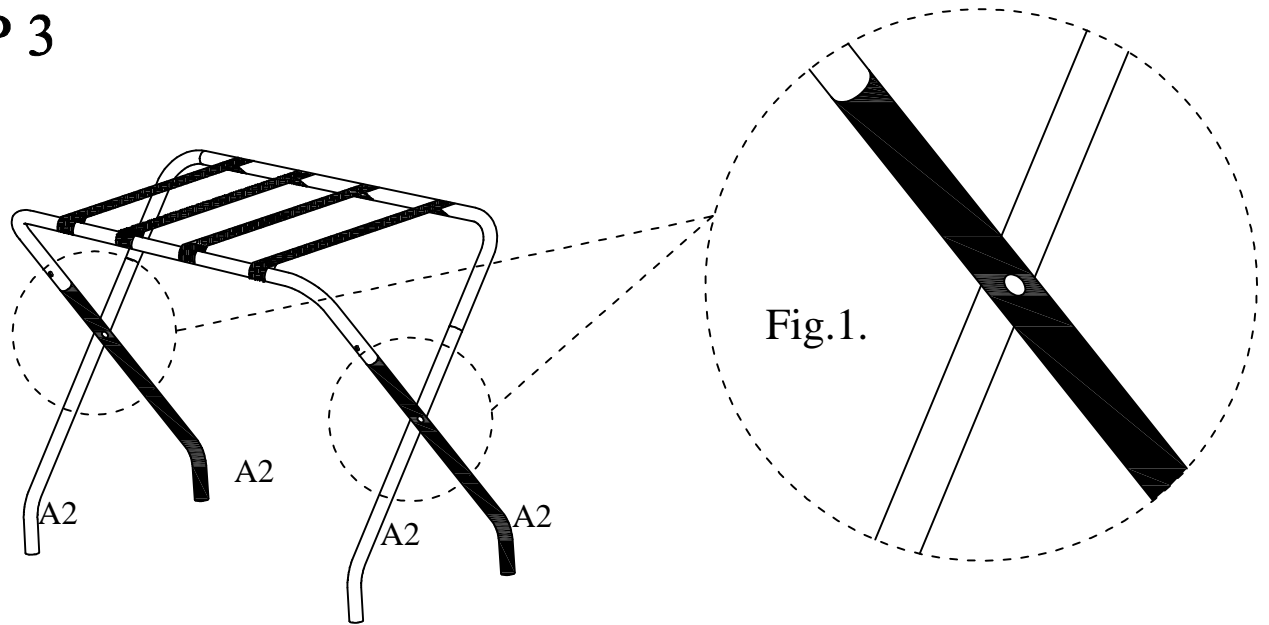
# STEP 2

B1  4pcs



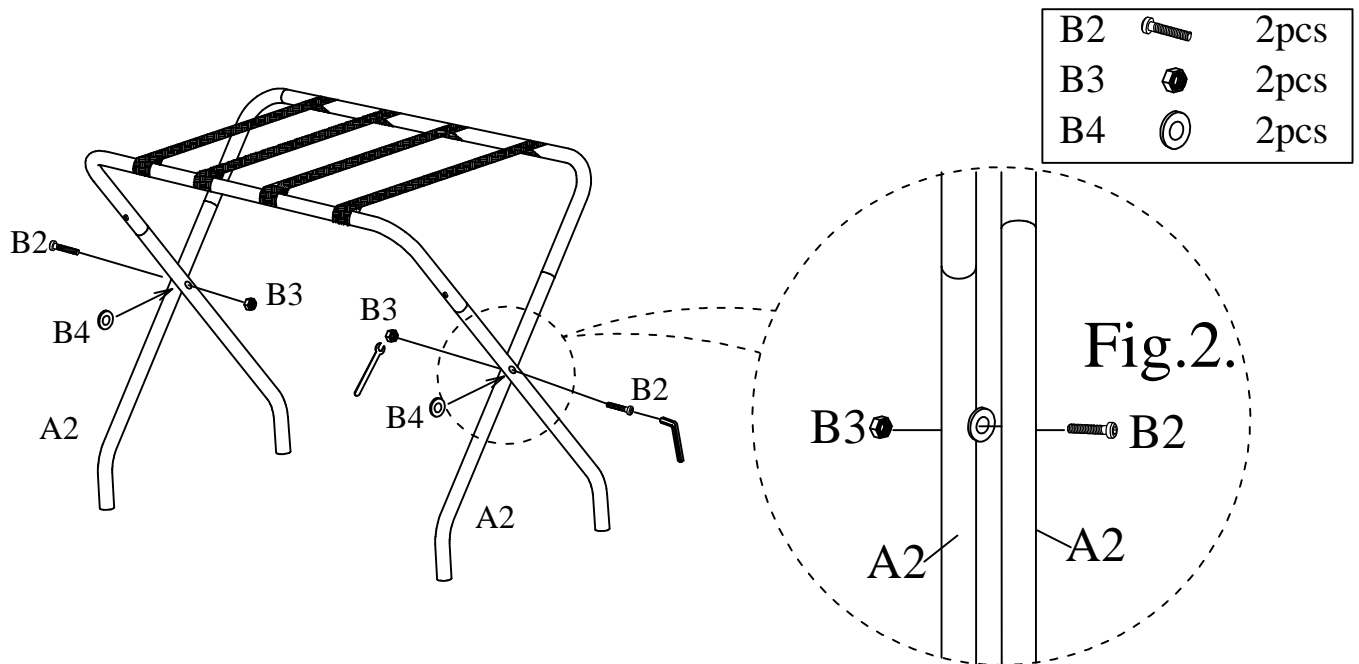
Tighten Lower Legs A2 to Upper Frame A1 using Bolts B1 as shown above.

## STEP 3



Cross assembled legs A2 refer Fig.1.

## STEP 4



Then tighten Legs A2 using Bolts B2, Washers B4 & Nuts B3 as shown above, please ensure the washer B4 will be attached between Legs A2, refer to Fig.2.