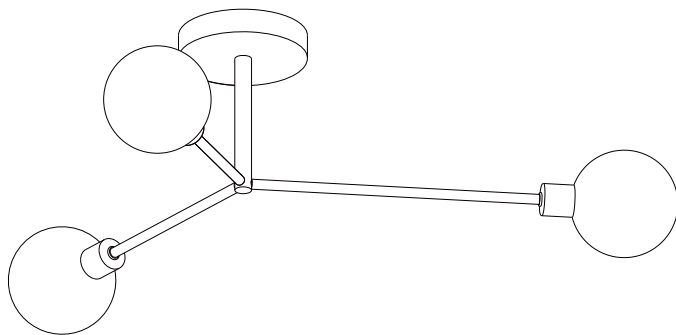


3 Light Ceiling Light

Installation Guide



UK
CA

CE



EN Indoor use only.

IMPORTANT: Installation must comply with current IEE Wiring Regulations and Building Regulations. Installation **must be** carried out by a qualified electrician.



SAFETY DISCLAIMER

**G9 Bulb -
Max 7W
LED**

Indoor use only.

Before inserting or replacing the bulb(s), make sure that the light is unplugged and has cooled down.

Never fit a bulb of greater wattage than recommended.

Installation must be carried out by a qualified electrician.

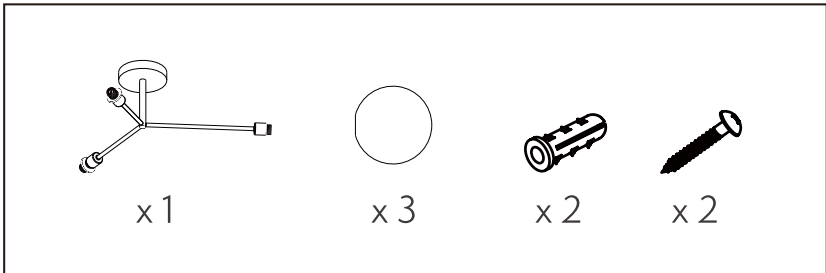
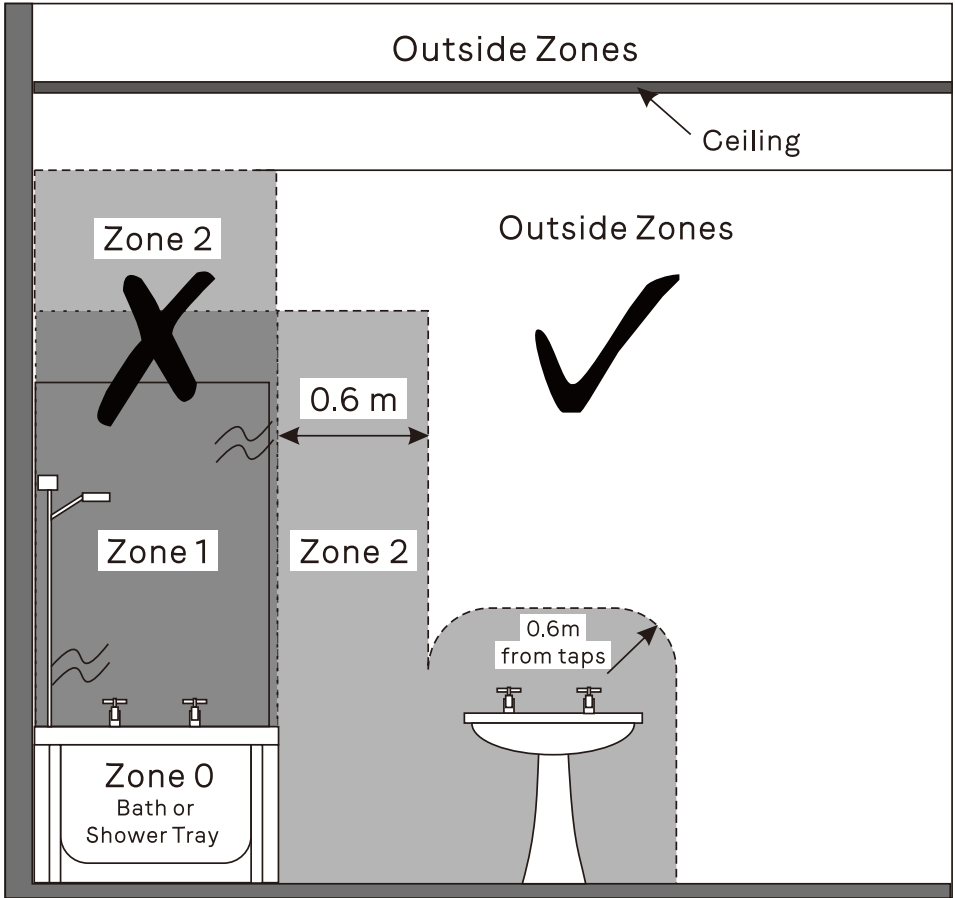
Ensure there are no electrical wires, water pipes, or gas lines directly behind the ceiling surface where you intend to drill or screw.

Use appropriate fixings suitable for the ceiling type (e.g. plasterboard, concrete, timber joist).

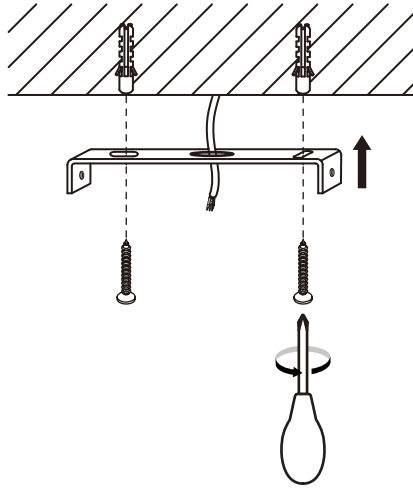


SAFETY DISCLAIMER

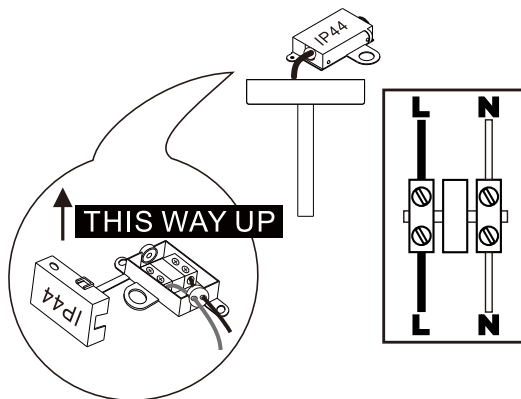
- For indoor use only. Do not install outdoors.
- This product is suitable for use in bathrooms, provided it is installed in accordance with local Building Regulations and BS 7671, Section 701.
- Do not install within Zones 0 or 1 (inside a bath or shower enclosure).
- The fitting must be connected to a 230V~ 50Hz supply via a suitable circuit, typically a 5A lighting circuit protected by an RCD.
- Always isolate the mains supply before installation, maintenance, or cleaning.
- Installation must be carried out by a competent electrician.
- Ensure that all electrical connections are secure and that no exposed strands of wire remain.
- If any part of the product or cable is damaged, it must not be used.
- Use only the type and wattage of lamp indicated on the fitting label.
- Do not cover the luminaire with insulation or other materials.
- Class II (Double Insulated) – This product is double insulated and does not require an earth connection.
- IP Rating: IP44 – Protected against solid objects larger than 1mm and against water splashes from any direction.
- Suitable for Bathroom Use: This product is suitable for installation in Zone 2 and outside zones of bathrooms and shower rooms, as defined by BS 7671 (IET Wiring Regulations).



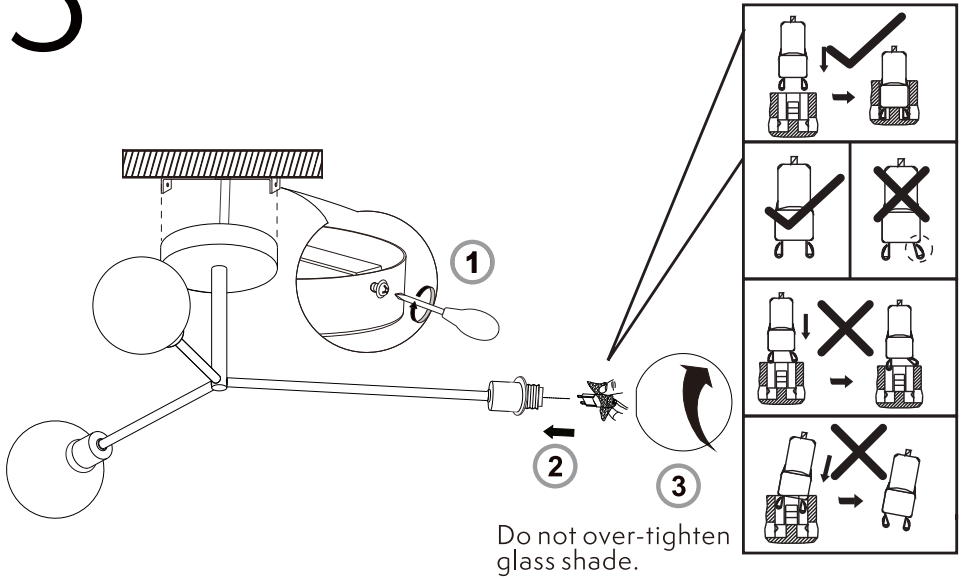
1



2



3



Installation Steps

STEP 1

TURN OFF POWER SUPPLY

Unpack and Check Parts

Base plate (mounts to ceiling)

Central body

3 arms or bulb holders

3 glass globes/shades

Screws, washers, decorative rings

STEP 2

Install the Mounting Bracket

Use the mounting bracket as a template to mark the fixing holes on the ceiling.

Ensure no pipes, wires etc. are present before commencing drilling.

Drill the holes into a joist or other solid surface (not just plaster). Secure the bracket using suitable fixings for the ceiling material.

STEP 3

Connect the Wiring

Match the wires from the ceiling to the fixture:

Home Wire -----Fixture

Blue/Black (N) → Neutral (N)

Red/Brown (L) → Live (L)

Green/Yellow (Earth) → Not used

⚠ Class II (double insulated) fittings do not require an earth connection. The earth wire should be safely terminated using a connector block or insulated cap — **do not leave it loose.**

Support the weight of the fitting while making the electrical connections.

STEP 4

Lift the fitting up to the mounting bracket and secure it using the screws.

STEP 5

Use G9 LED bulbs, max 7W.

Insert bulbs of the correct type and wattage as indicated on the fitting.
Do not exceed the recommended wattage.

STEP 6

Attach the Glass Shades

Gently screw the glass shade over each lamp holder.
Make sure each shade is securely tightened.



our 1 year GUARANTEE

Our products come with a 1 year guarantee, giving you extra peace of mind when shopping with us

What the guarantee covers



PRE-INSERTED FIXINGS



FAULTY JOINTS



EXTERNAL FIXING FAULTS



STRUCTURAL INTEGRITY
