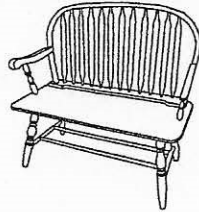


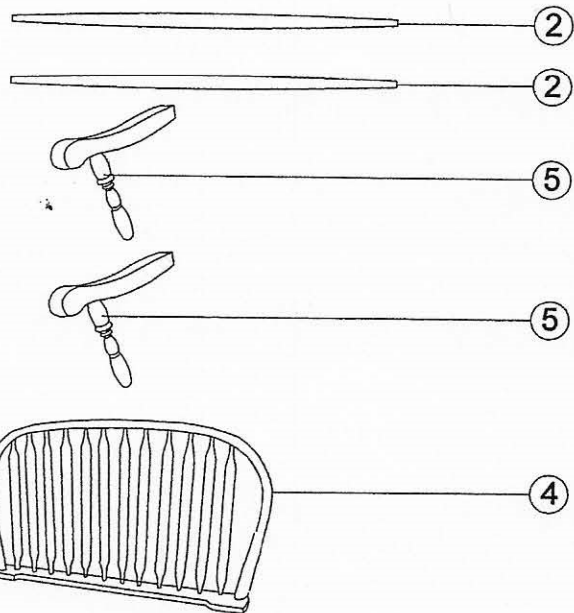
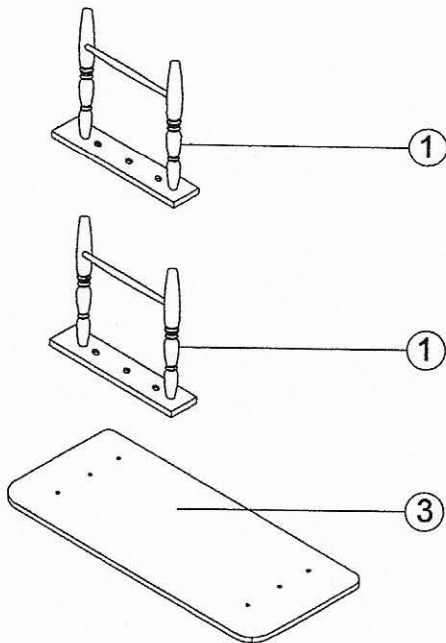
Assembly Instructions

ARM BENCH



NO	PART LIST	QTY
1	Leg Frame - Left	1 PC
	- Right (F/R)	1 PC
2	Stretcher	2 PCS
3	Wooden Seat	1 PC
4	Chair Back Frame	1 PC
5	Assembly Arm Rest - Left	1 PC
	- Right	1 PC

NO		HARDWARE LIST	QTY
A		Flat Washer - Dia 12mm	18 PCS
B		Spring Washer - Dia 12mm	18 PCS
C		Short JCBC Bolt M6 x 35mm	10 PCS
D		Long JCBC Bolt M6 x 60mm	4 PCS
E		Long JCBC Bolt M6 x 60mm	4 PCS
F		Barrel Nut	8 PCS
G		Big Wood Bottom - Dia 14.5mm	6 PCS
H		Allen Key M4	1 PCS
I		Small Wood Bottom - Dia 11.5mm	2 PCS

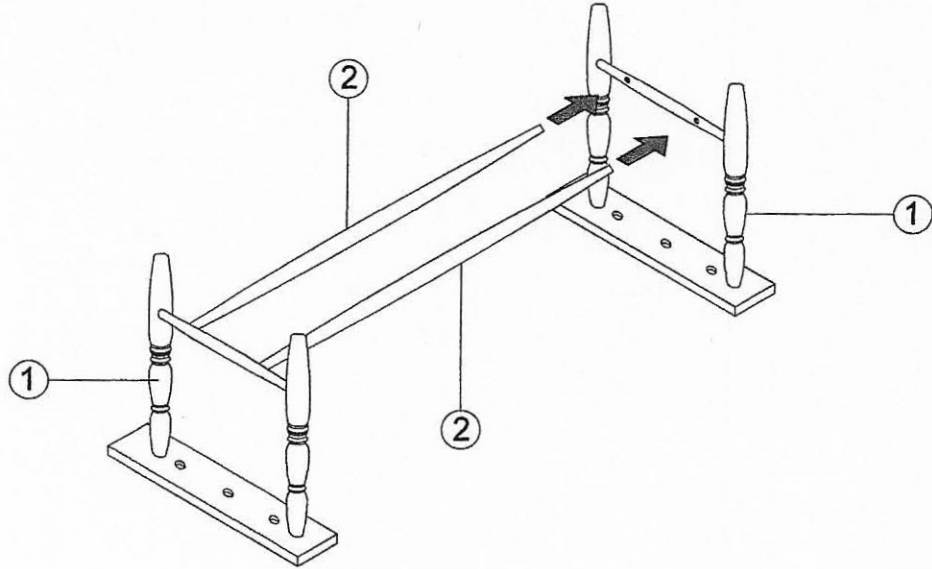


IMPORTANT NOTE :

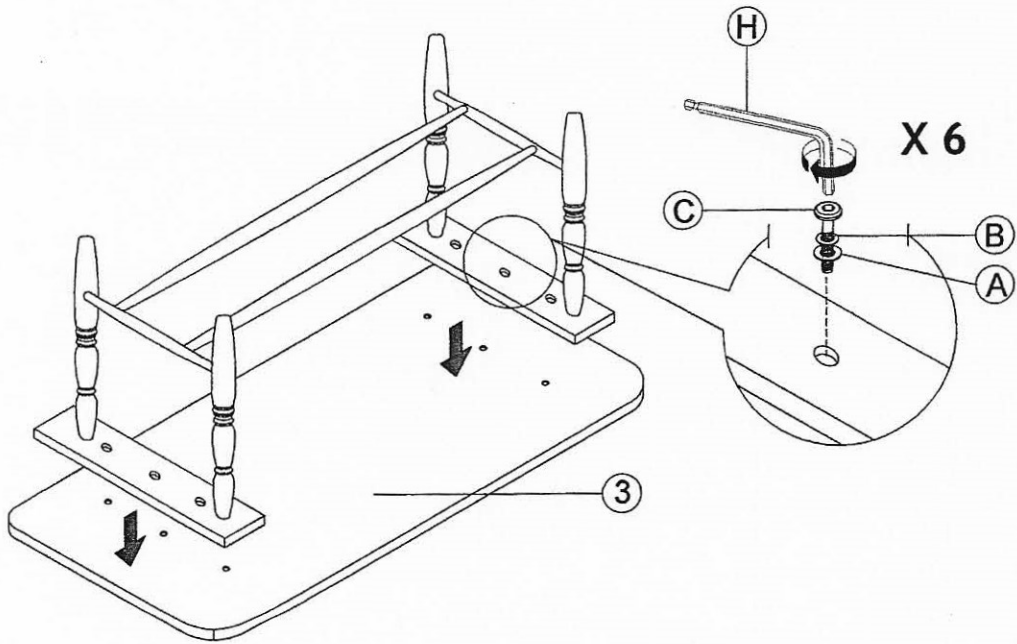
- Place all wooden part on a clean and smooth surface such as a rug or carpet to avoid the parts from being scratched.
- Check to be sure that you have all part and hardware. Remove all wrapping materials, including staples & packing straps before you start to assemble. Do not tighten all screws/ balts until all completely assembled
- Keep all hardware part out of reach of children.
- DO NOT TIGHTEN BOLTS/SCREWS UNTIL ALL COMPLETELY ASSEMBLED.

Assembly Instructions
ARM BENCH

1

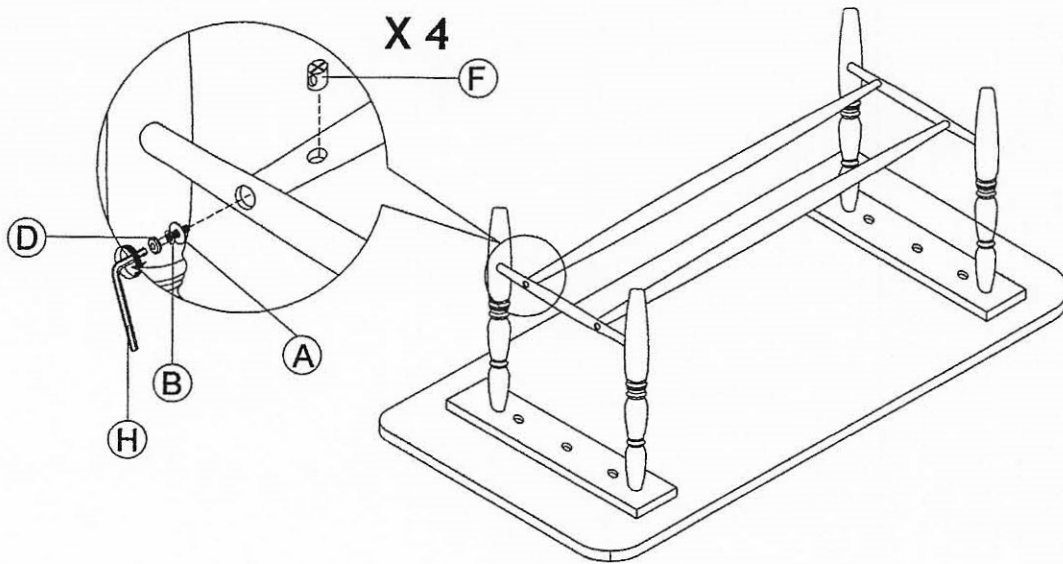


2

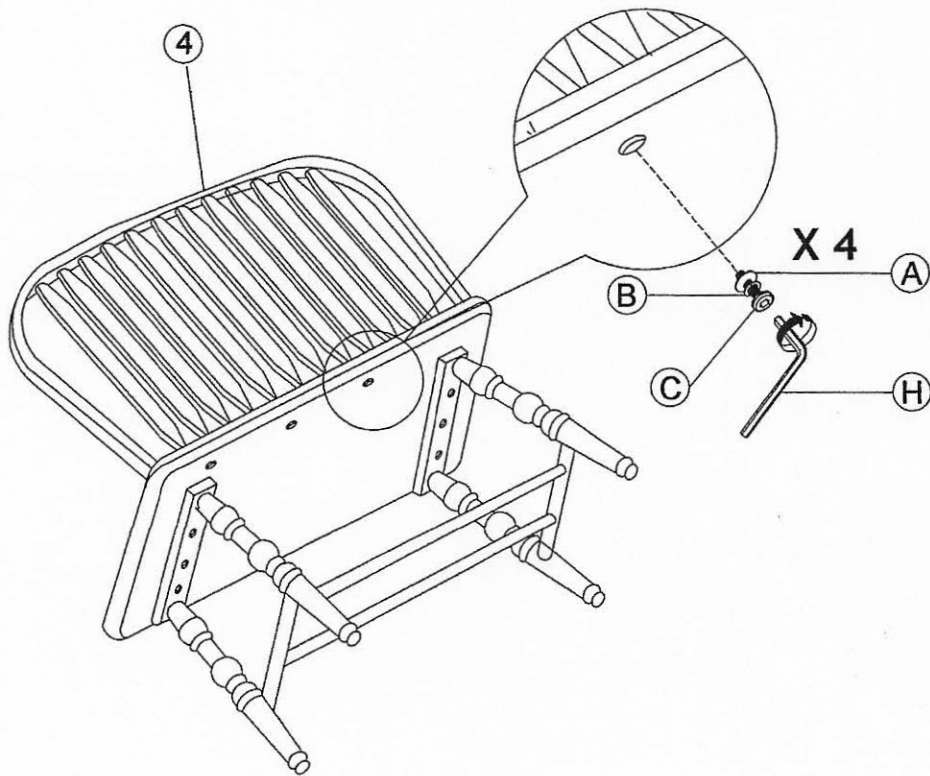


Assembly Instructions
ARM BENCH

3

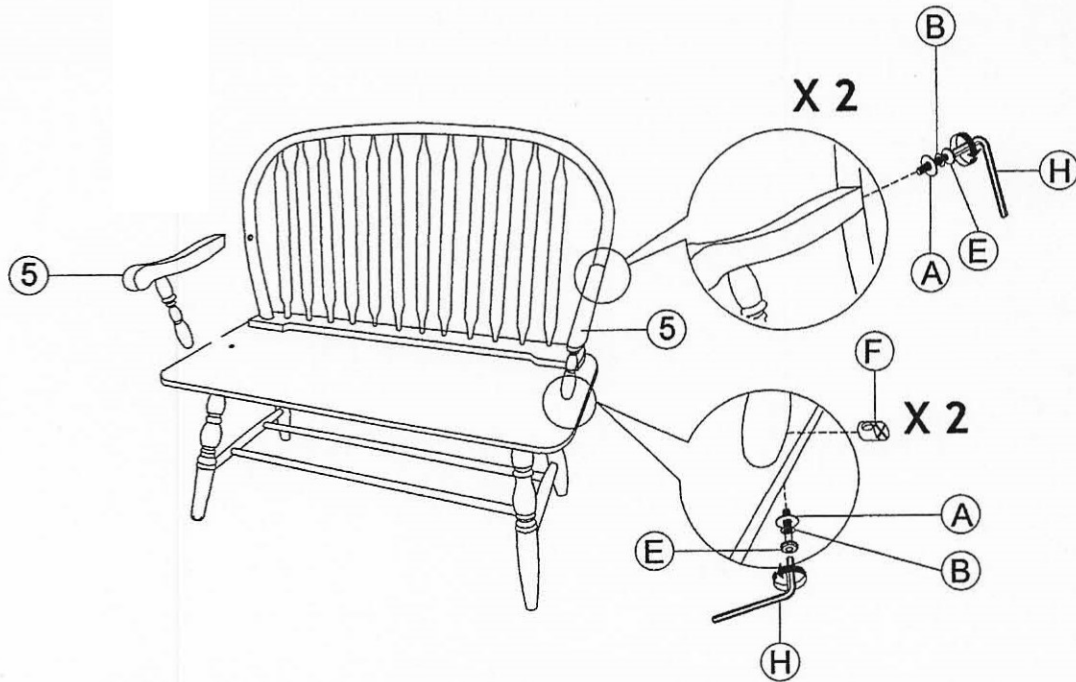


4

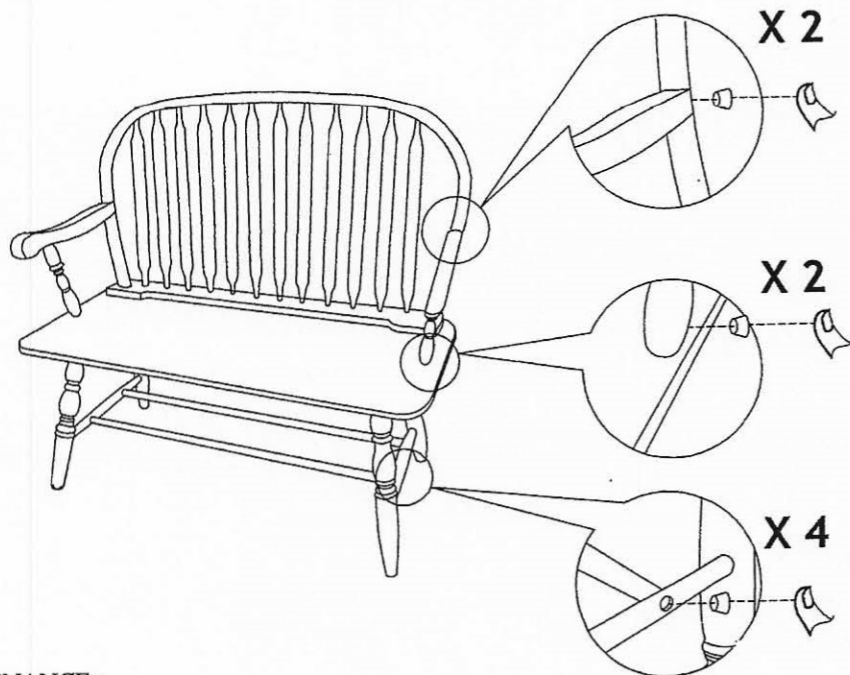


Assembly Instructions
ARM BENCH

5



6



CARE AND MAINTENANCE :

The touce of a soft cloth is all the maintenance your wood dieces will ever naad. Never use harsh chemicals or abrasive cleaners, as they could mark or destroy finish.

MADE IN MALAYSIA

CARE INSTRUCTIONS

Thank you for your purchase. Our items are intended for residential use only.

To clean and maintain your furniture we recommend dry dust with a soft clean cloth.

Do not use harsh chemicals to clean your furniture as this could damage the protective top coat and/or finish.