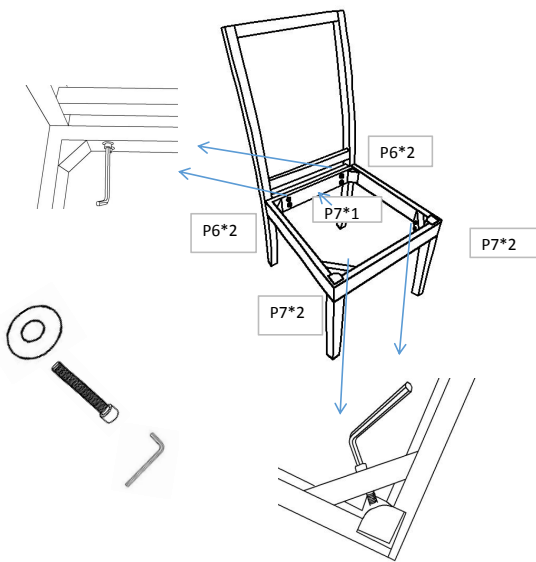


ASSEMBLY INSTRUCTIONS

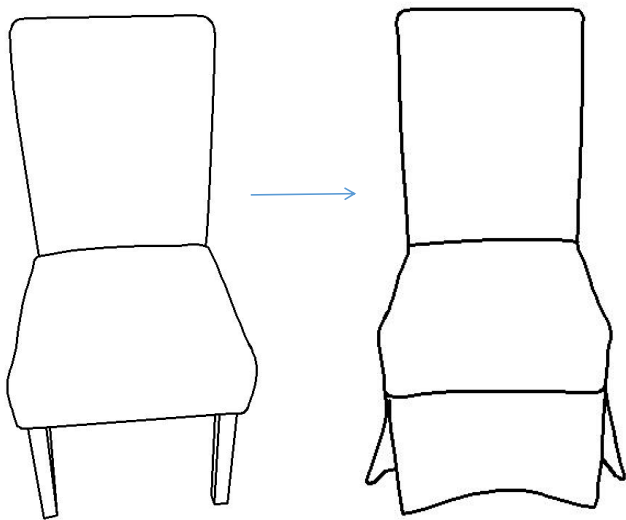
THANK YOU FOR PURCHASING THIS QUALITY PRODUCT. BE SURE TO CHECK ALL PACKING MATERIALS CAREFULLY FOR SMALL PARTS THAT MAY HAVE COME LOOSE INSIDE THE CARTON DURING SHIPMENT. **PLS NOTE THAT ONE CARTON HAS TWO CHAIRS.**

STEP 1: LEG ASSEMBLY INSTRUCTION

FIRST OPEN THE SEAT CUSHION TAKE OUT THE FRONG LEGS&HARDWARES AND THE CASING,SECONDASSEM THE FRONG LEG AND CHAIR BACK



STEP 2: PUT THE CASING TO CHAIR FRAME, SEE THE BELOW THE PHOTO



NO	SKETCH	DESCRIPTION	QTY
1		CHAIR CASING	1PC*2
2		CHAIR BACK	1PC*2
3		FRONT LEG	2PCS*2
4		CHAIR SEAT CUSHION	1PCS*2
5		Allenkey	1PC
P6		Bolt (80*80mm)	4PCS*2
P7		Bolt (80*60mm)	5PCS*2
8		Shim	9PCS*2