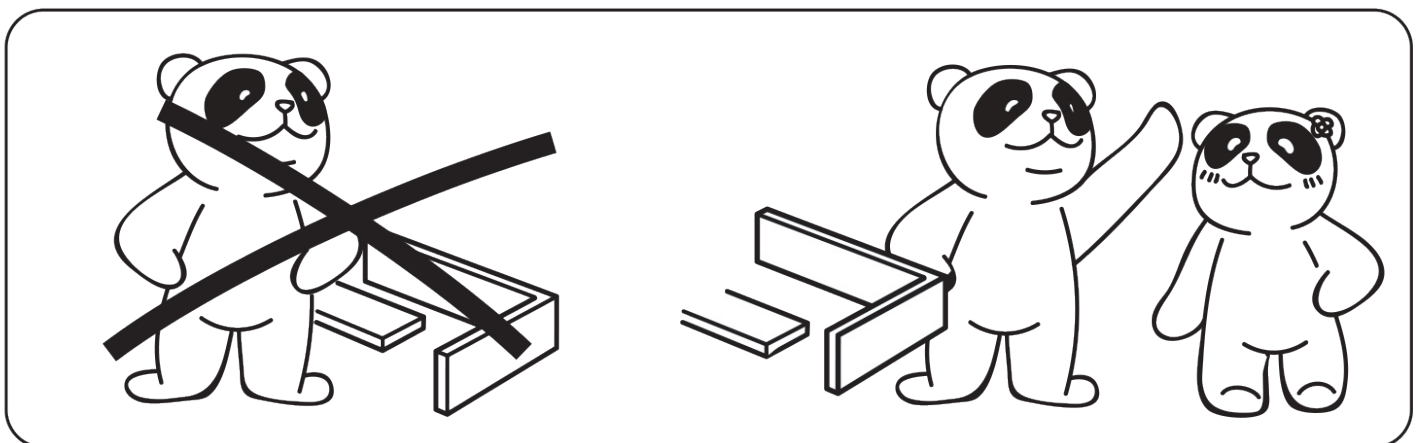
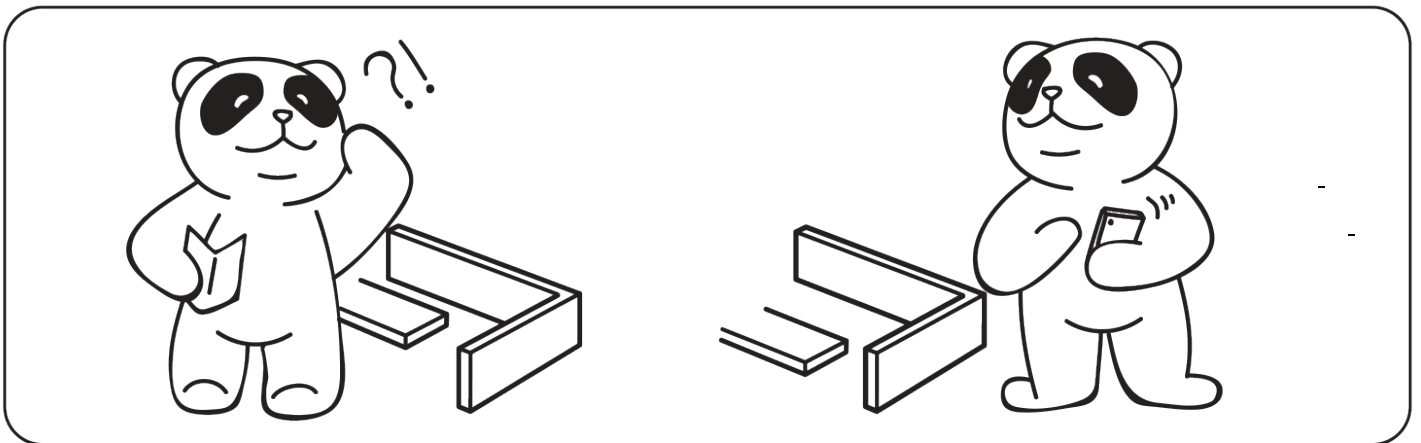
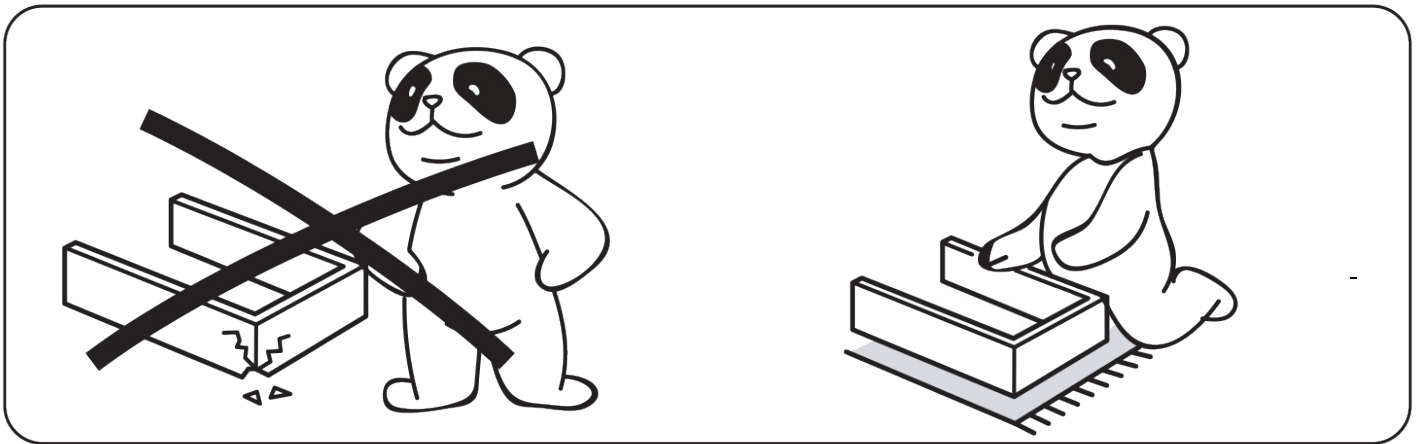
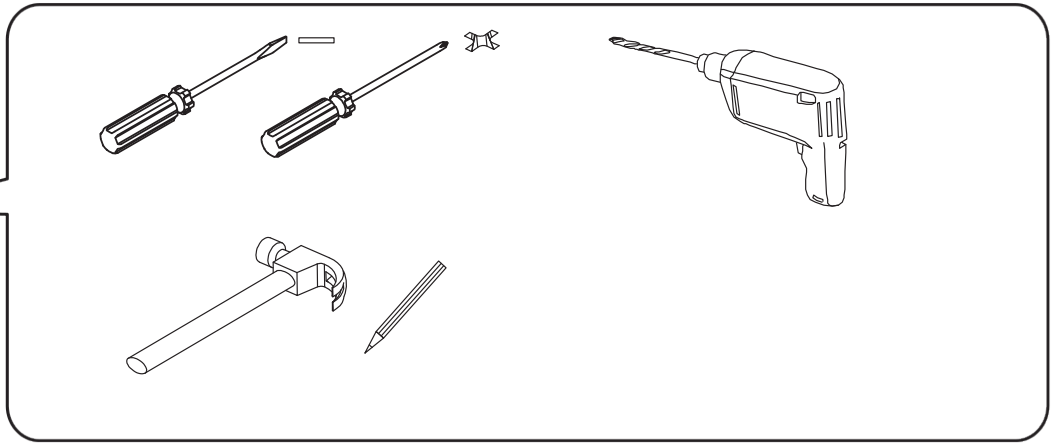


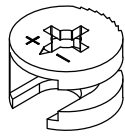
# Side table







Ø28mm  
A x42



Ø15x 9 mm  
B x42



Ø6x30mm  
C x16



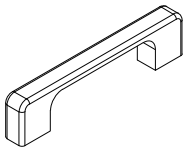
Ø3.5x12mm  
D x41



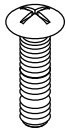
Ø5x40mm  
E x21



F x8



G x3



Ø4x15mm  
H x6



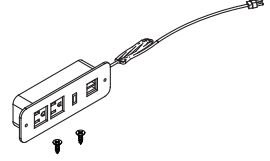
Mx3



Nx8



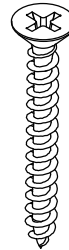
Ox1



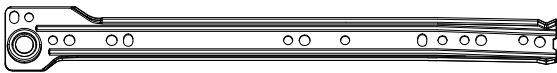
Px1



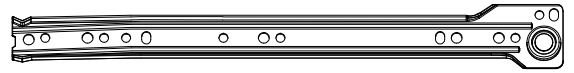
J x2



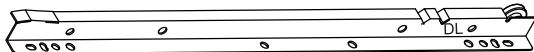
Ø3.5x20mm



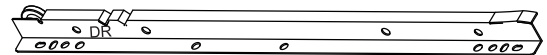
**CL**  
300MM  
x3



**CR**  
300MM  
x3

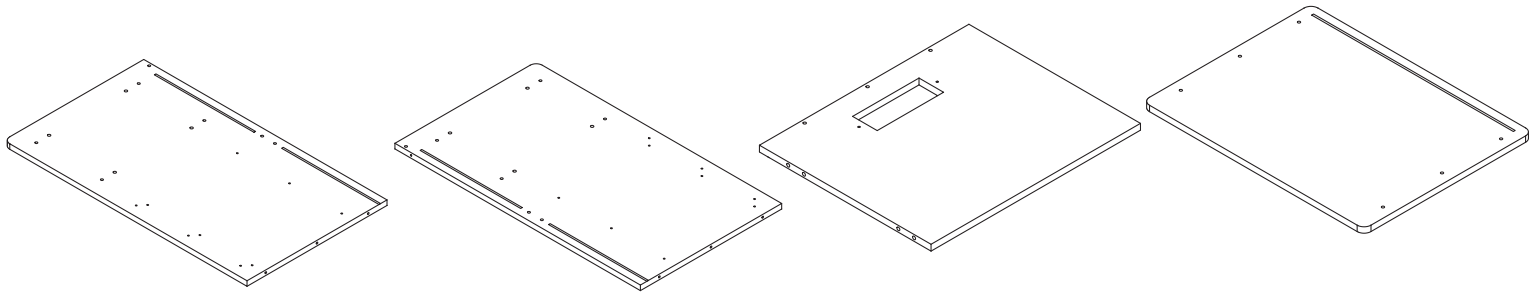


**DL**  
300MM  
x3



**DR**  
300MM  
x3

# Mounting frame

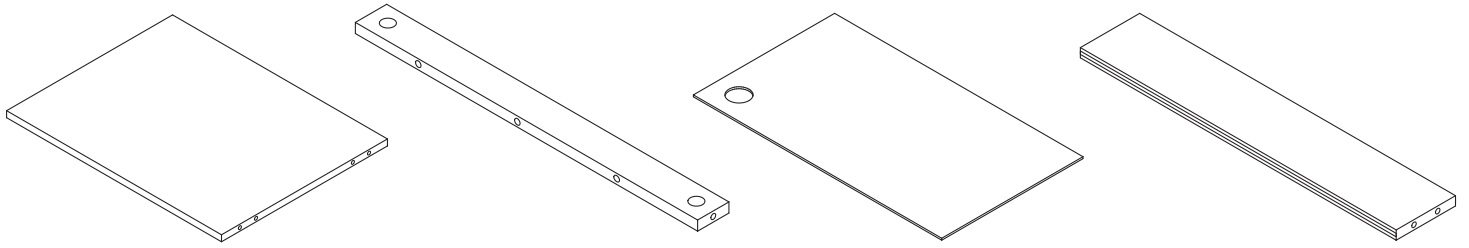


1 x1

2 x1

3 x1

4 x1

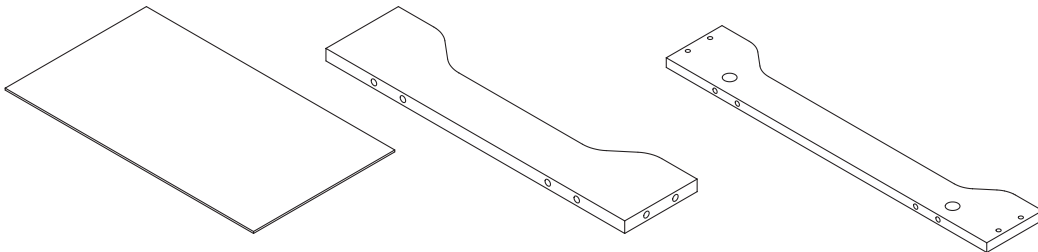


5 x1

6 x1

7 x1

8 x1



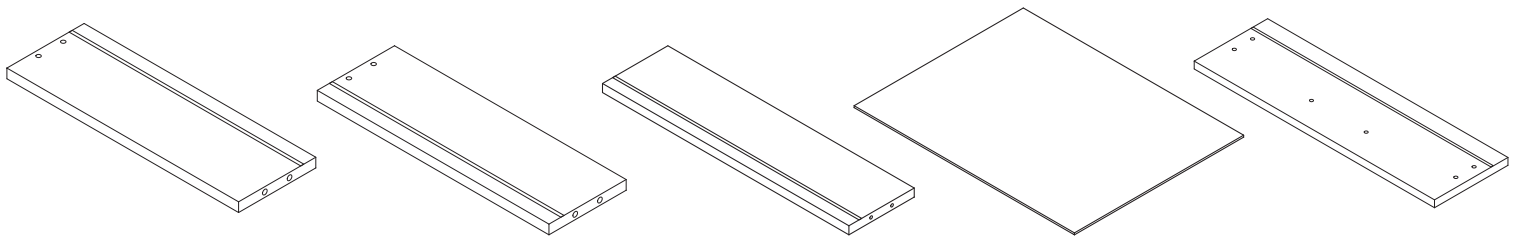
9 x1

10 x2

11 x2

---

# Drawer installation



12 x3

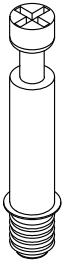
13 x3

14 x3

15 x3

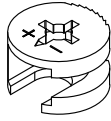
16 x3

# Mounting frame



Ø28mm

A x 30



Ø15x 9 mm

B x 30



Ø6x30mm

C x 16



Ø3.5x12mm

D x 29

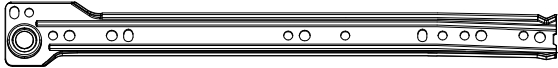


Ø5x40mm

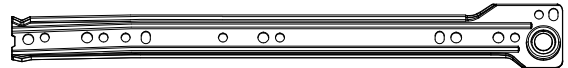
E x 9



F x 8



**CL** x 3



**CR**  
x 3



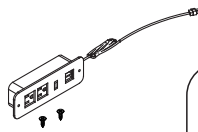
Mx3



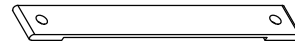
Nx8



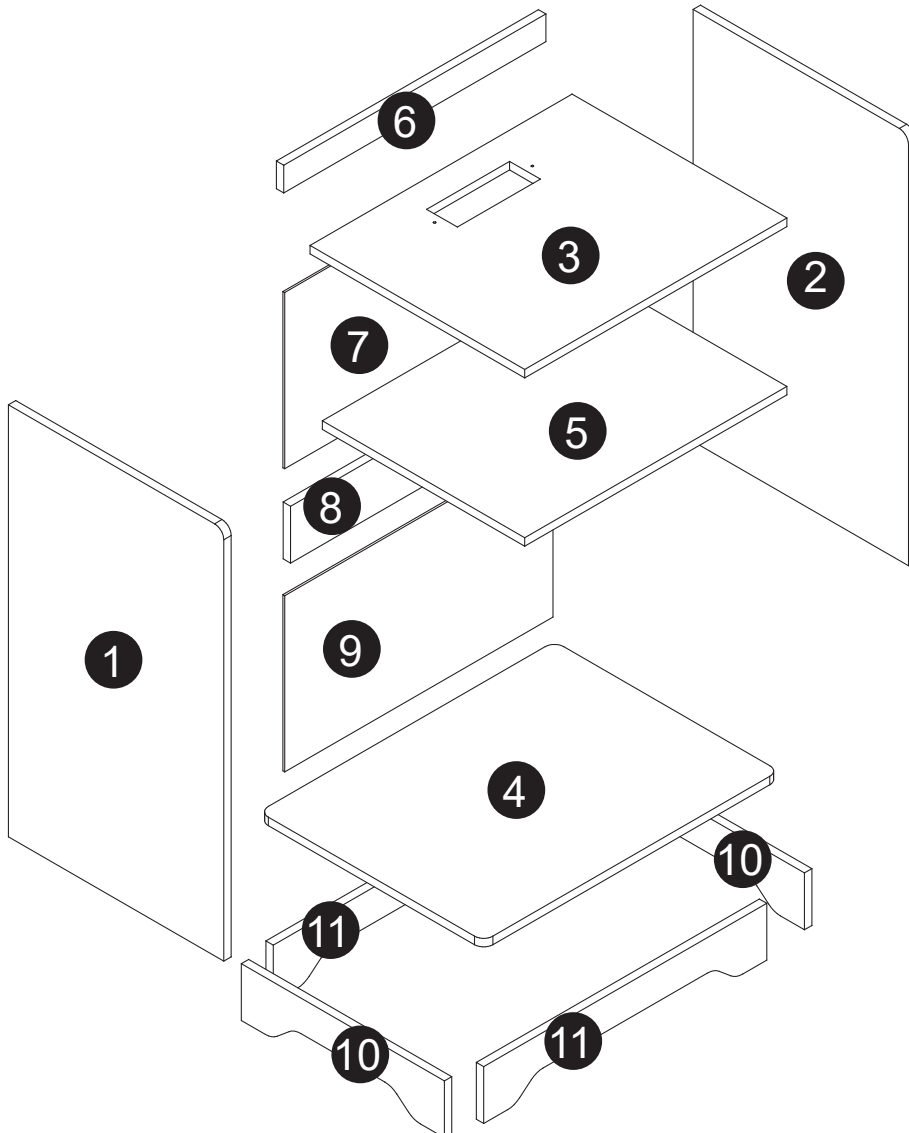
Ox1



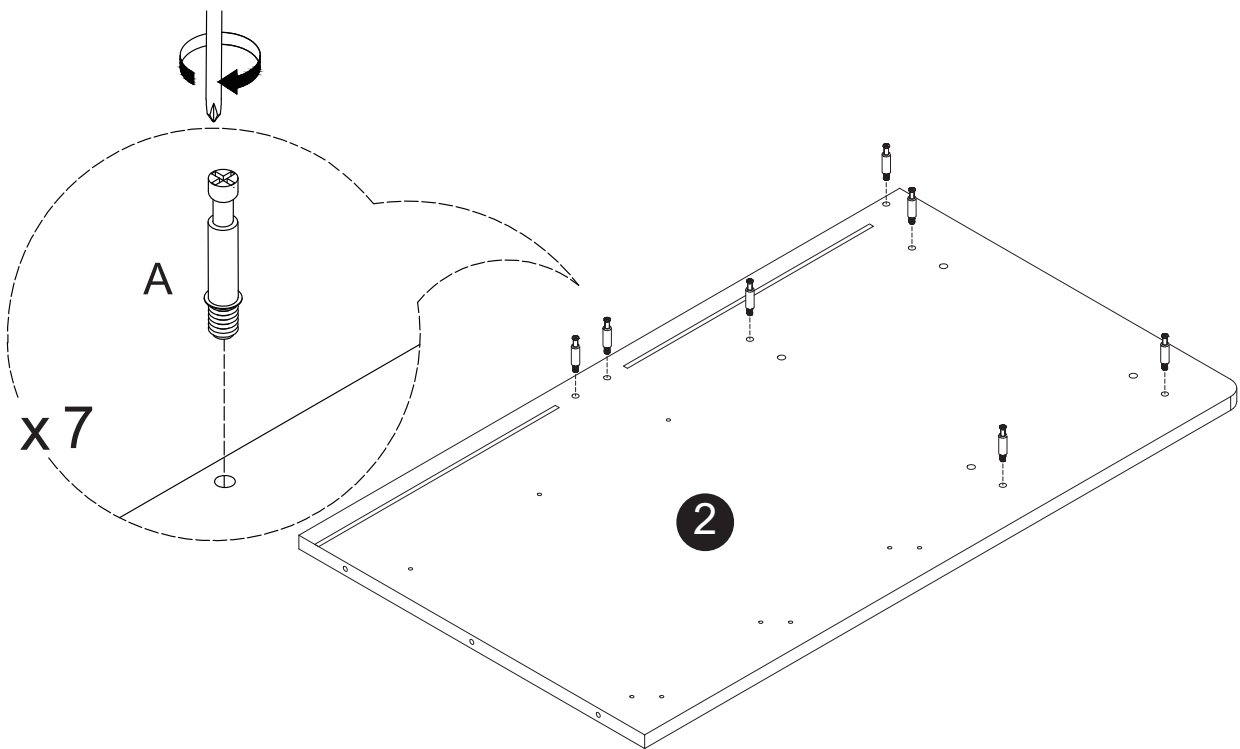
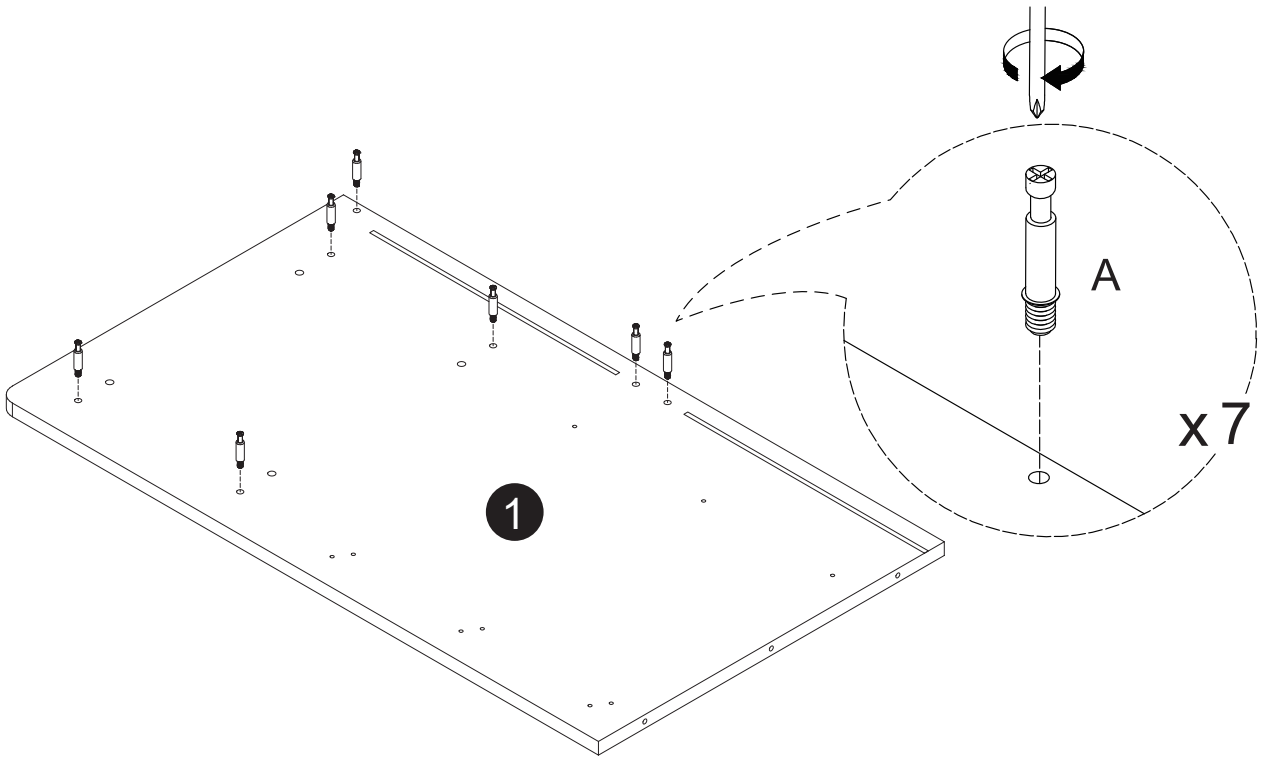
Px1

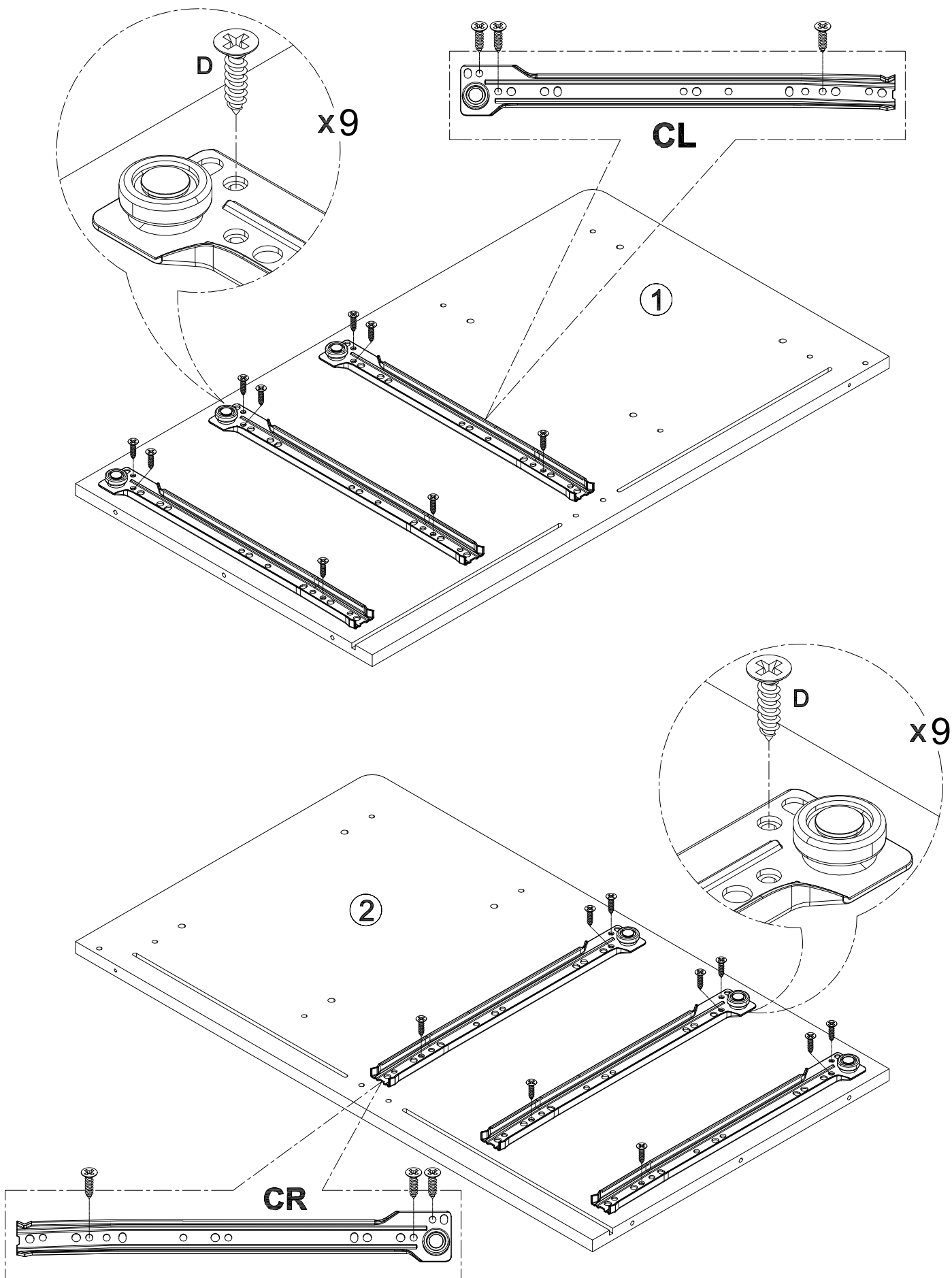


J x 2

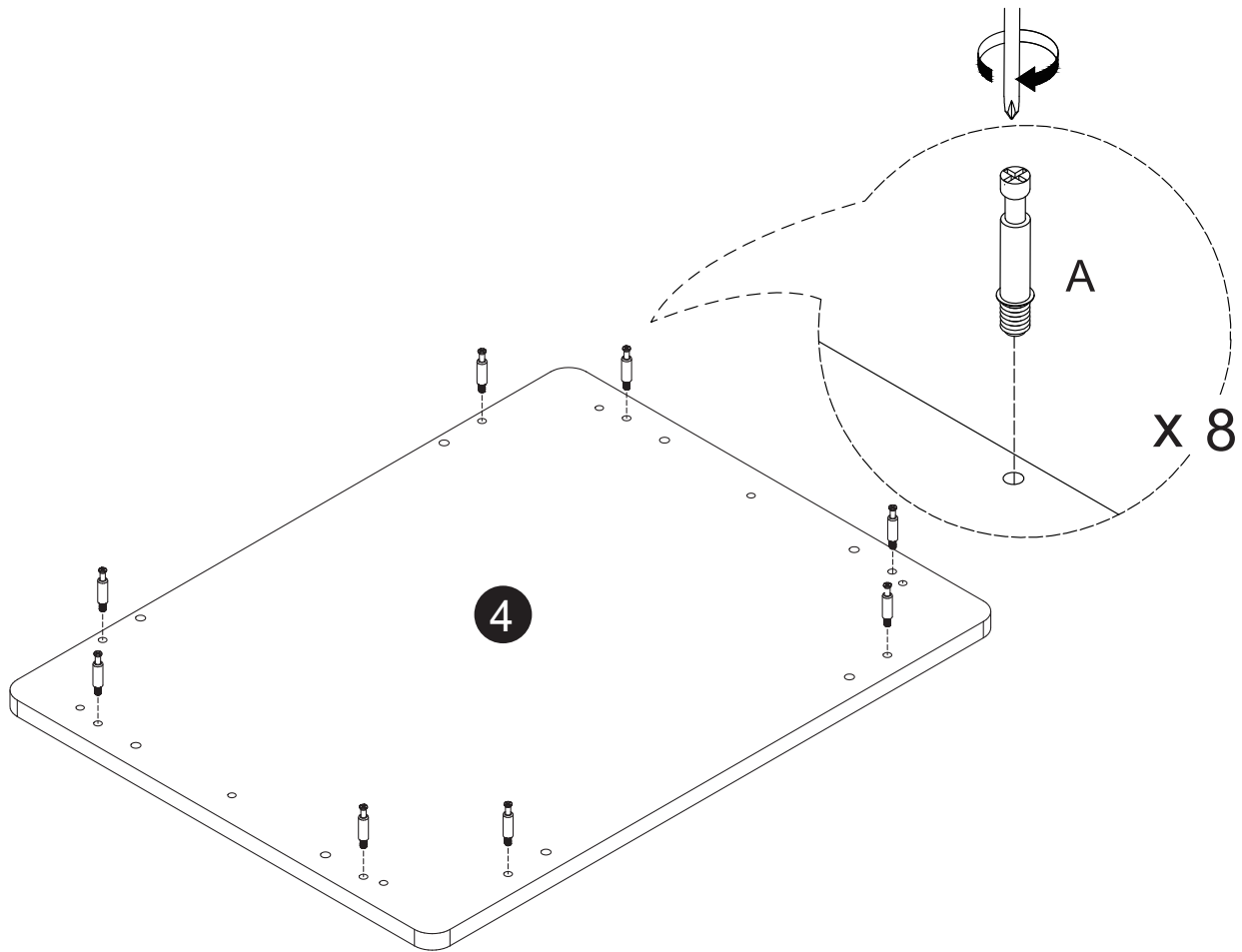


1

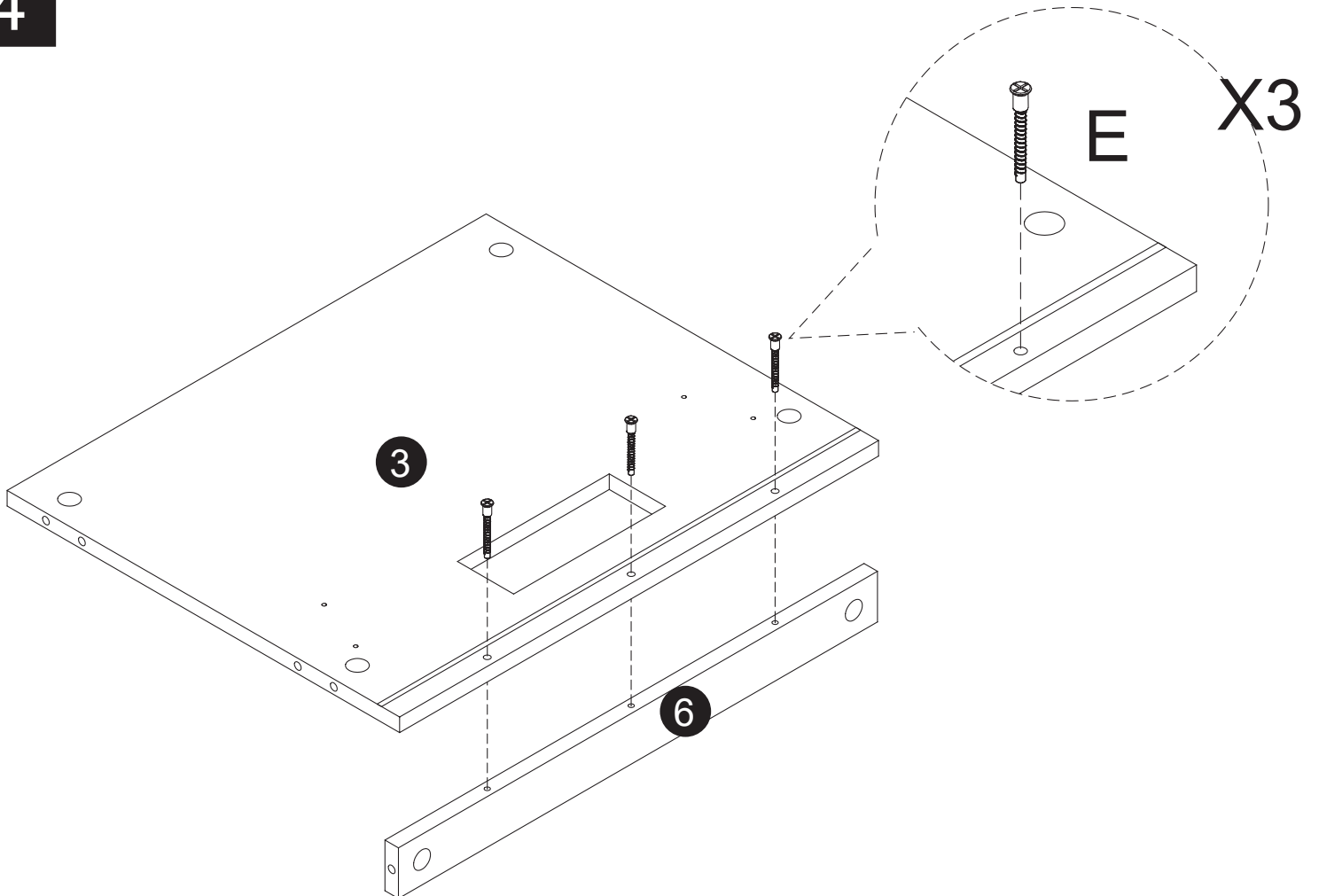




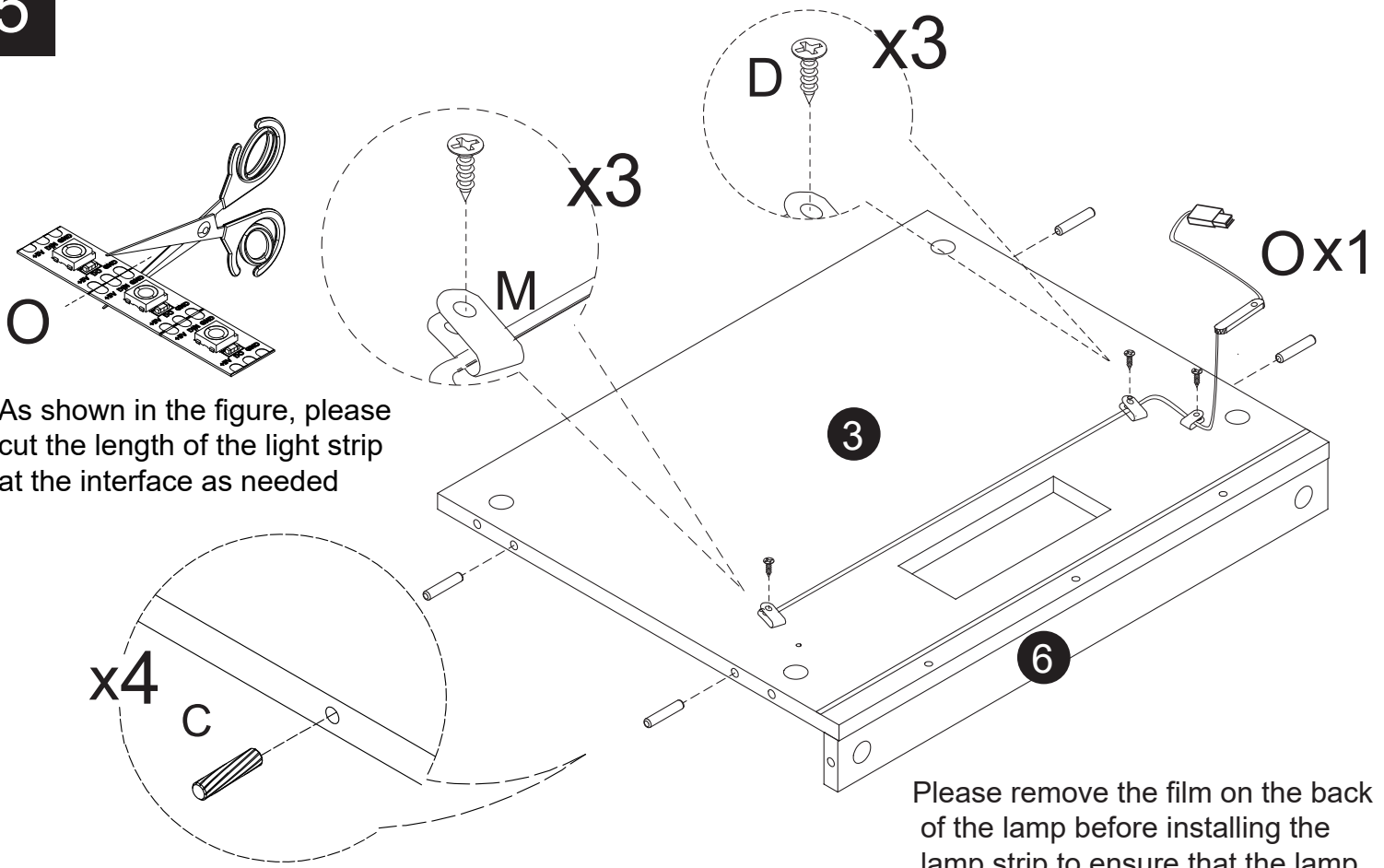
3



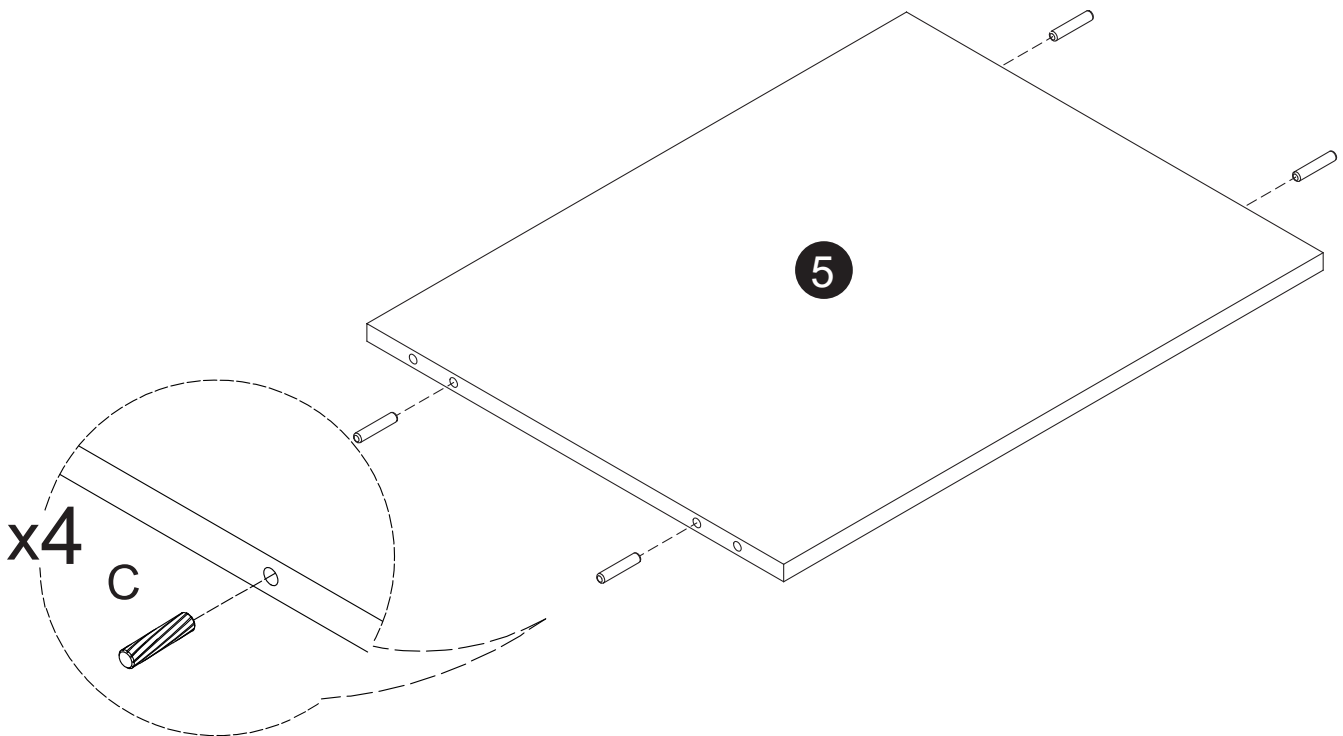
4



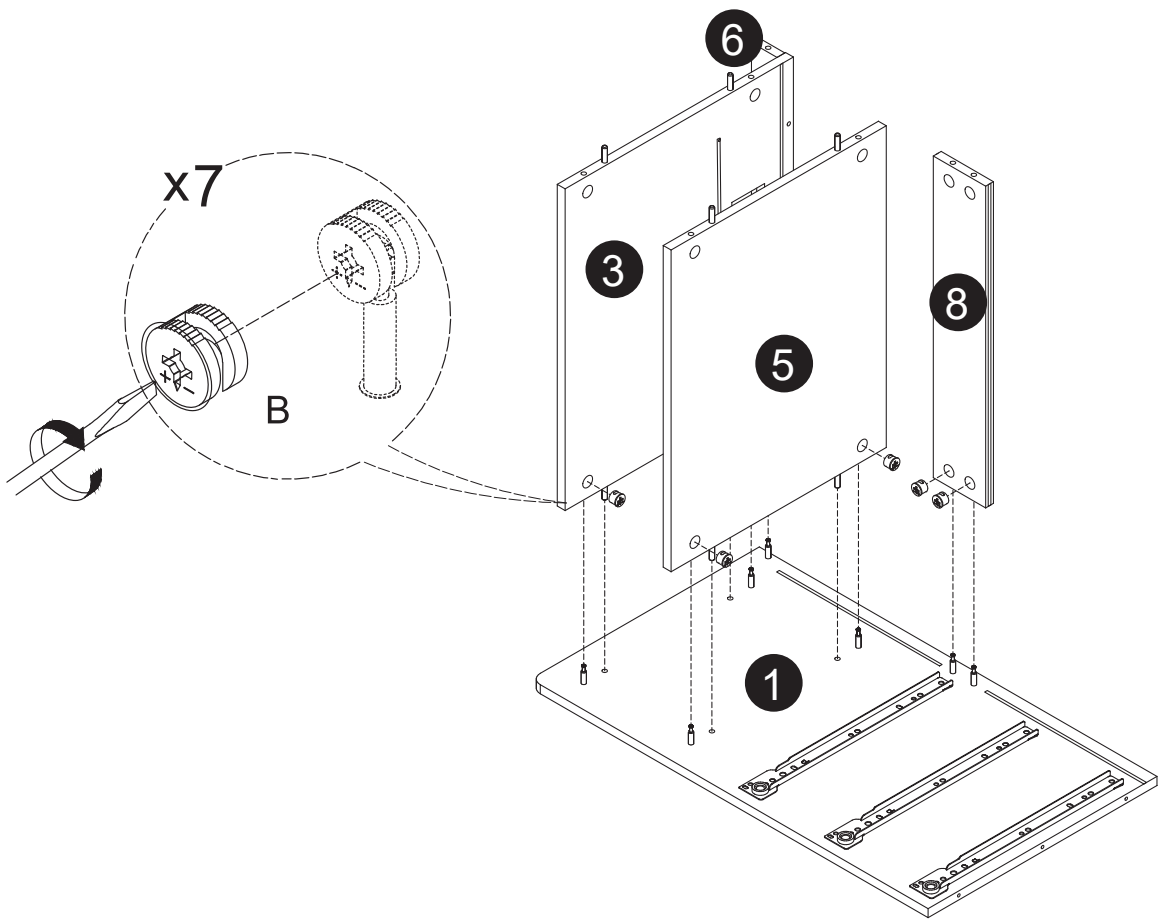
5



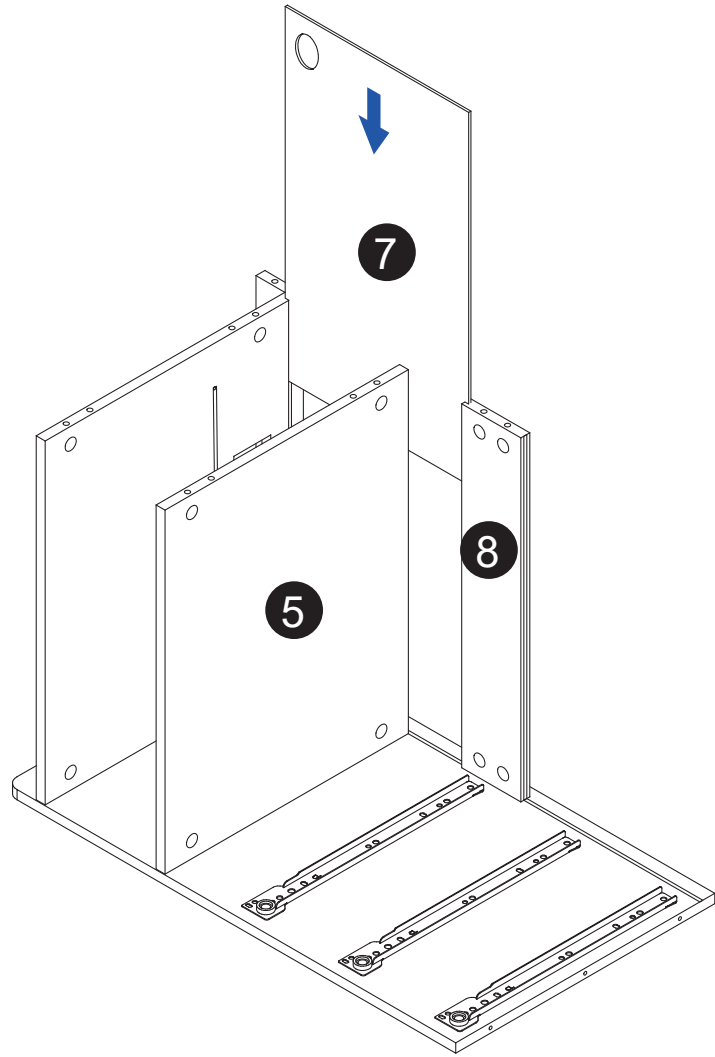
6



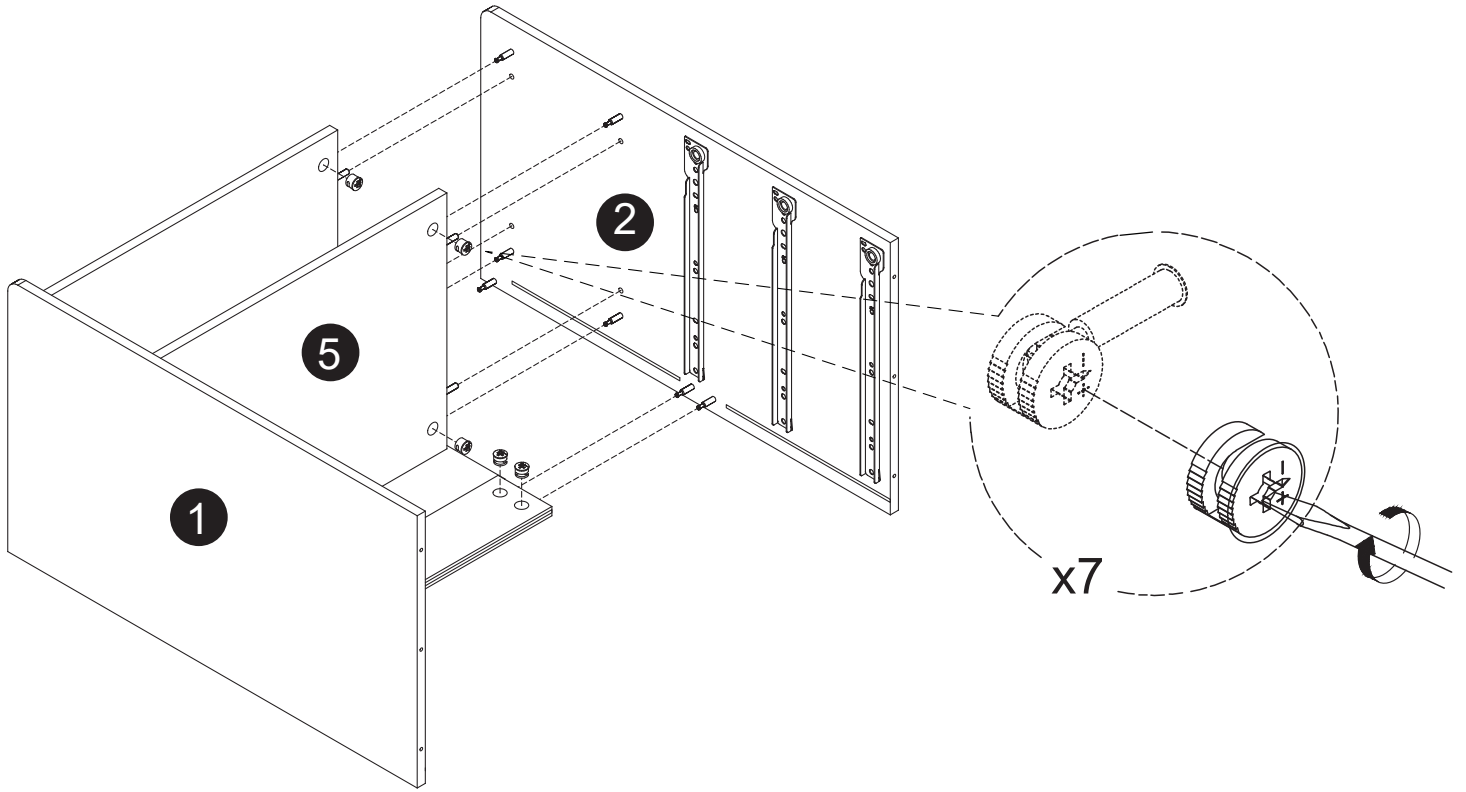
7



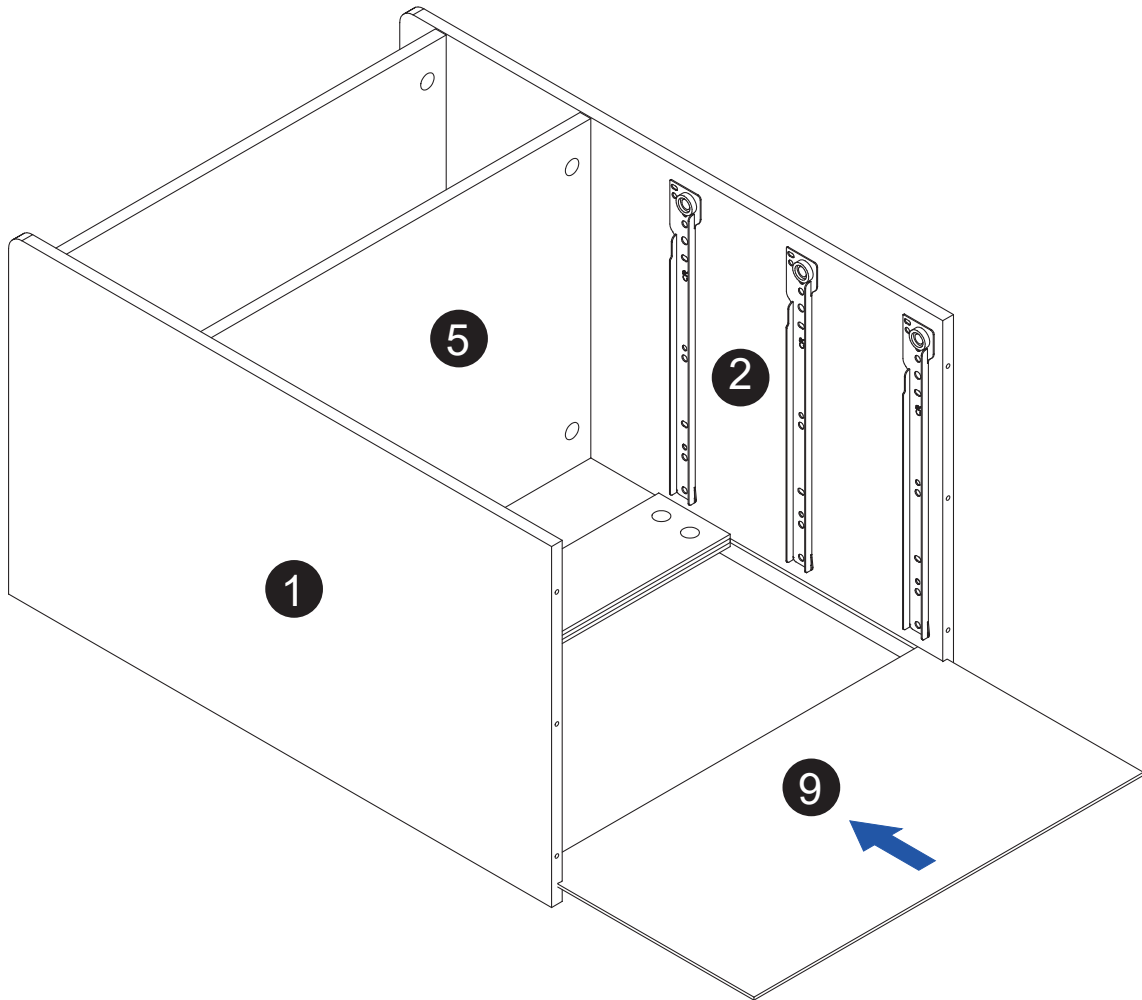
8



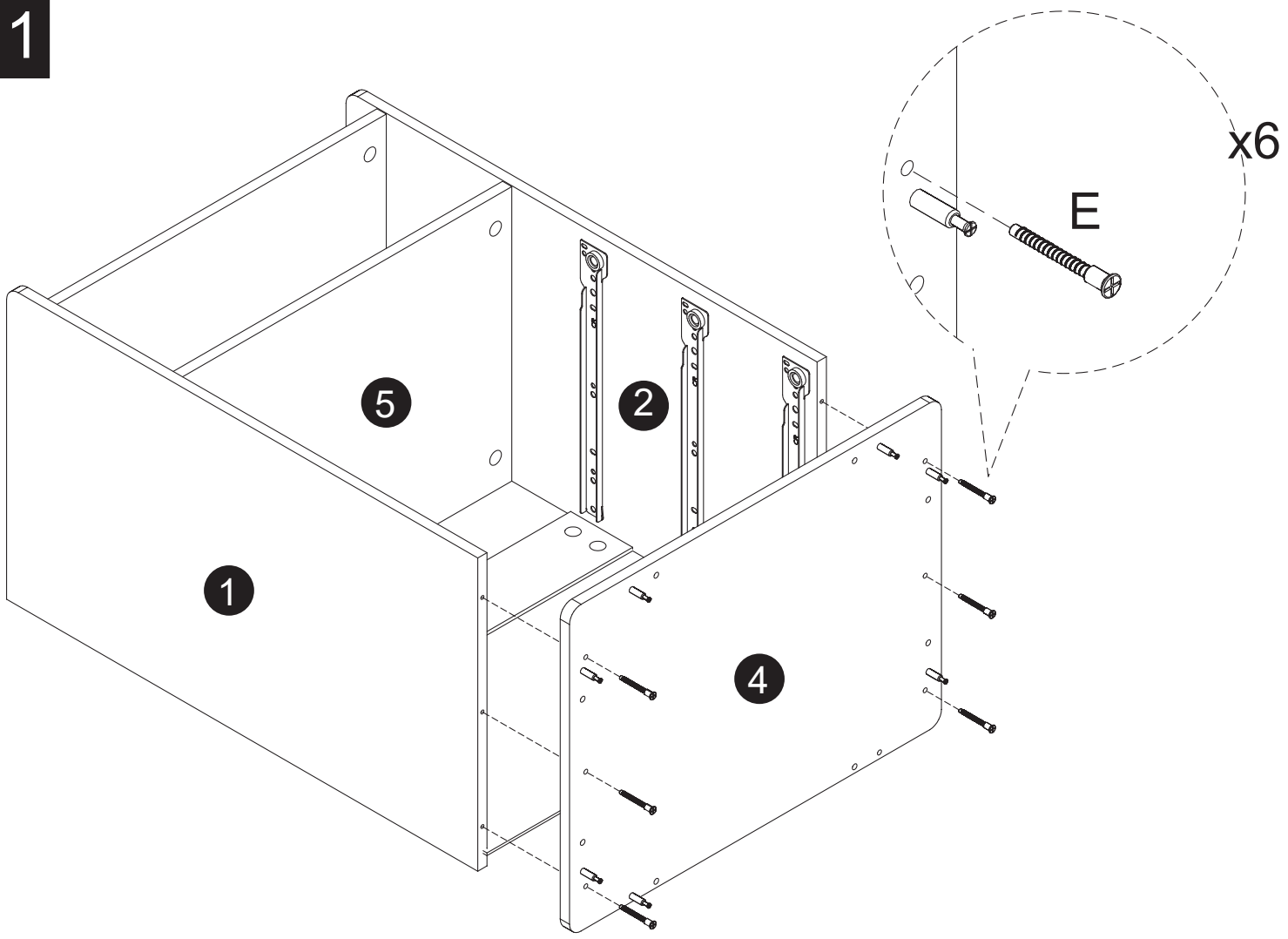
9



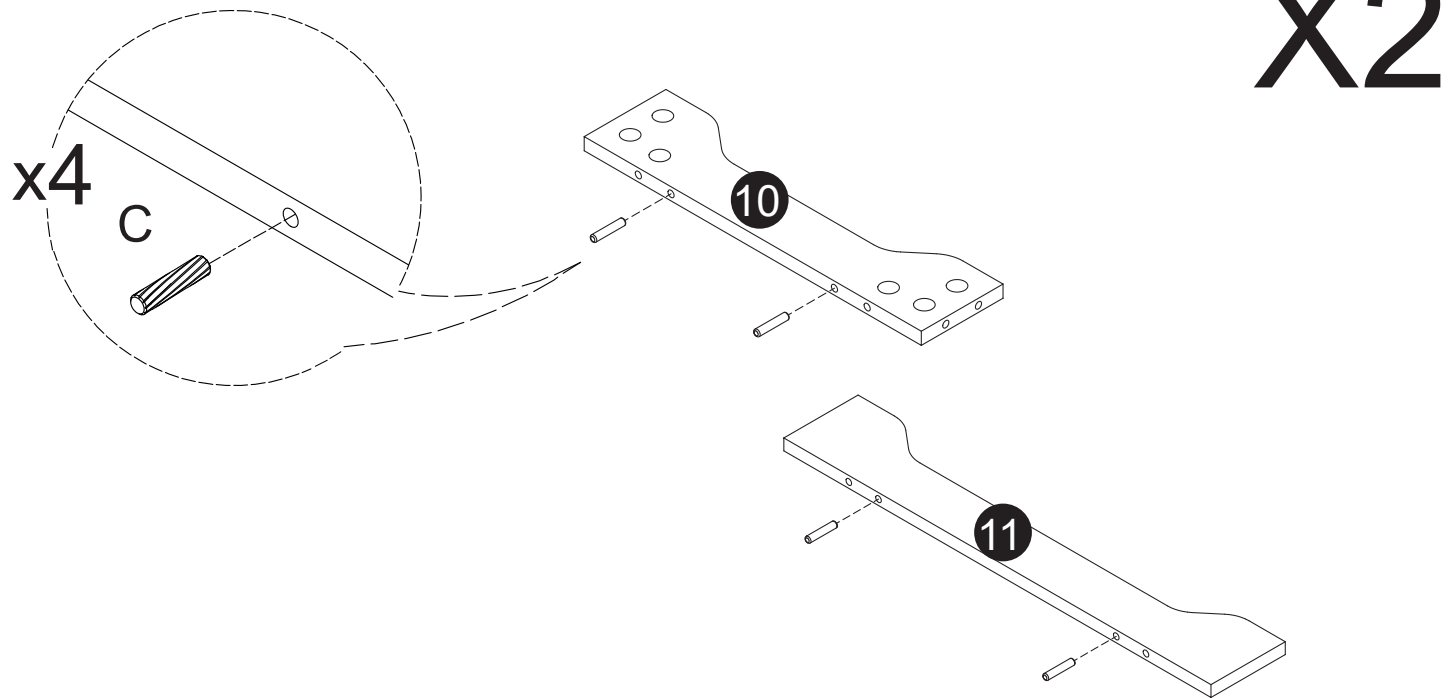
10



11

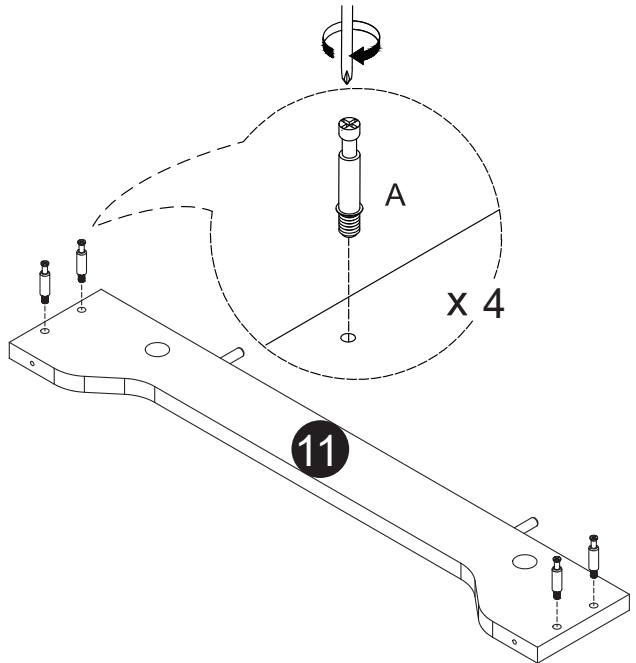


12

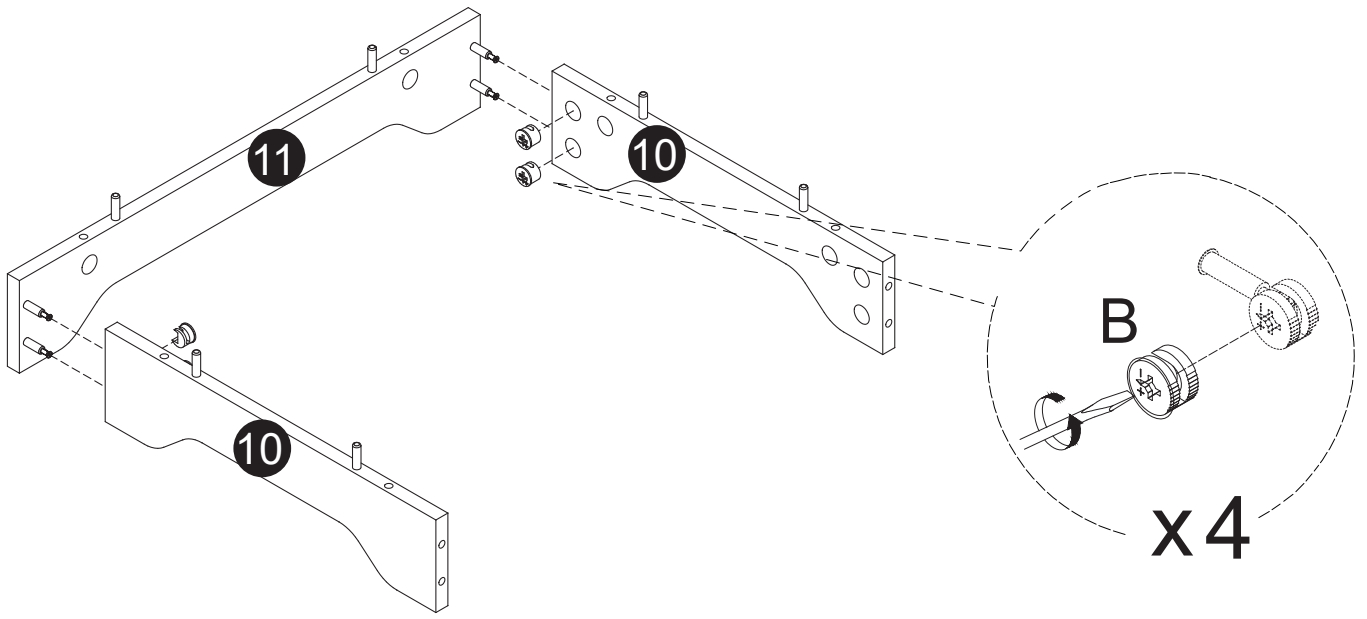


13

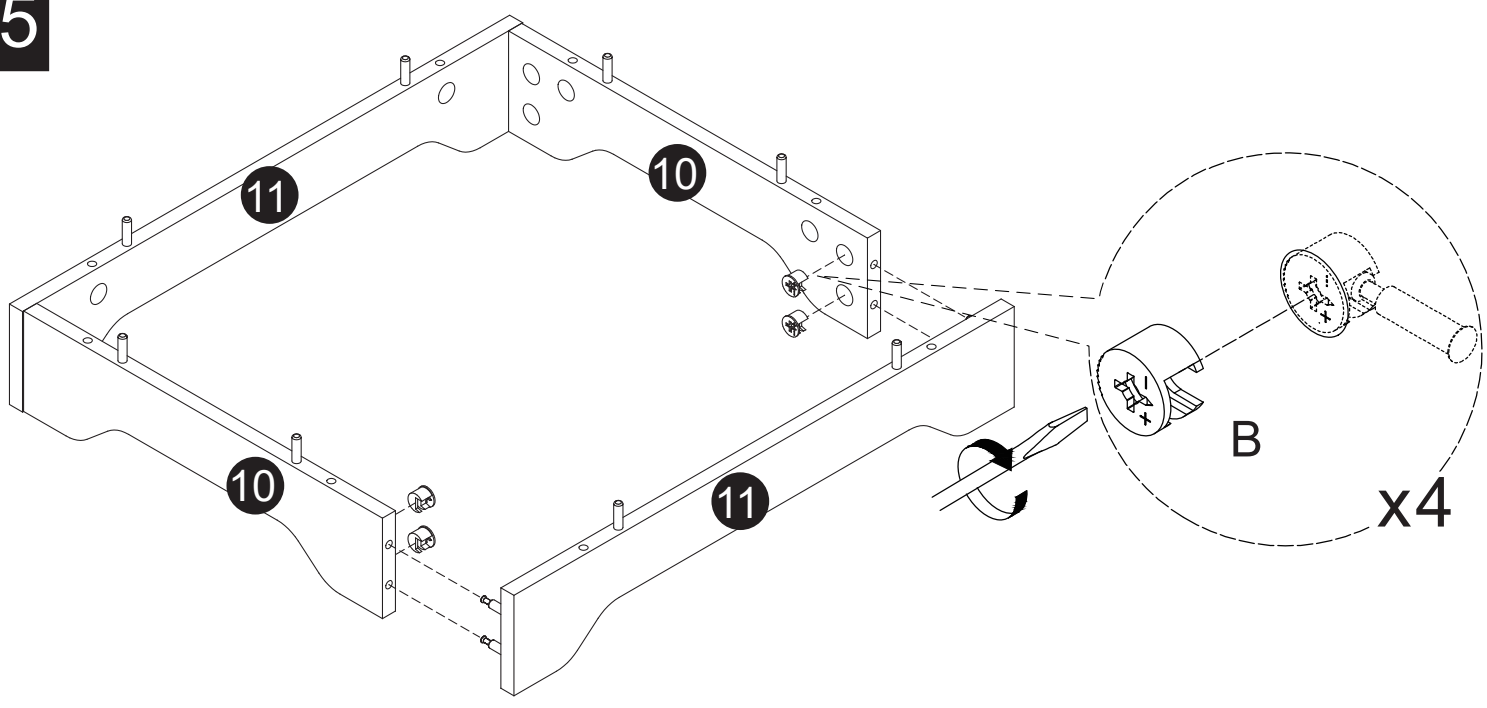
X2



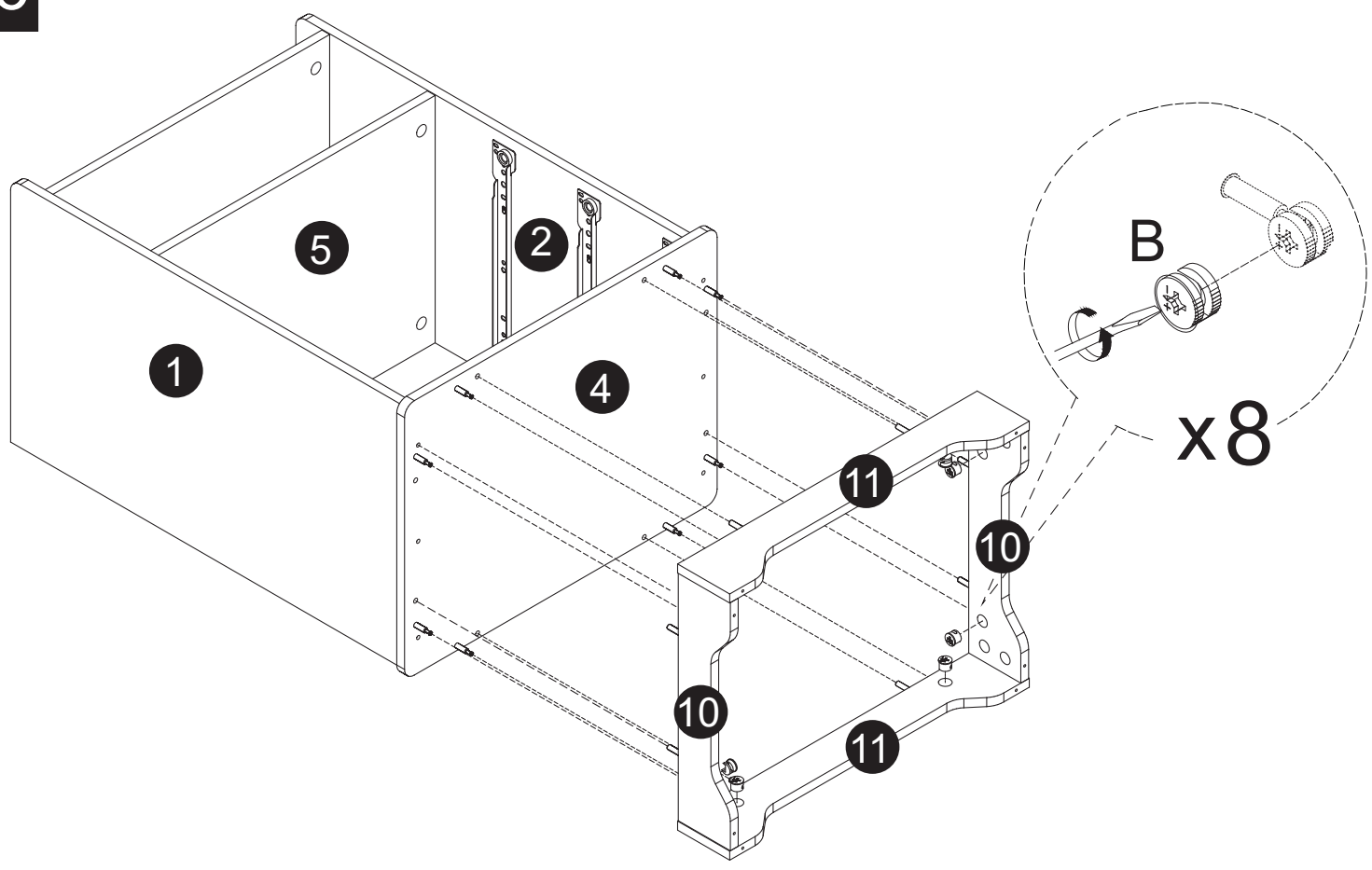
14



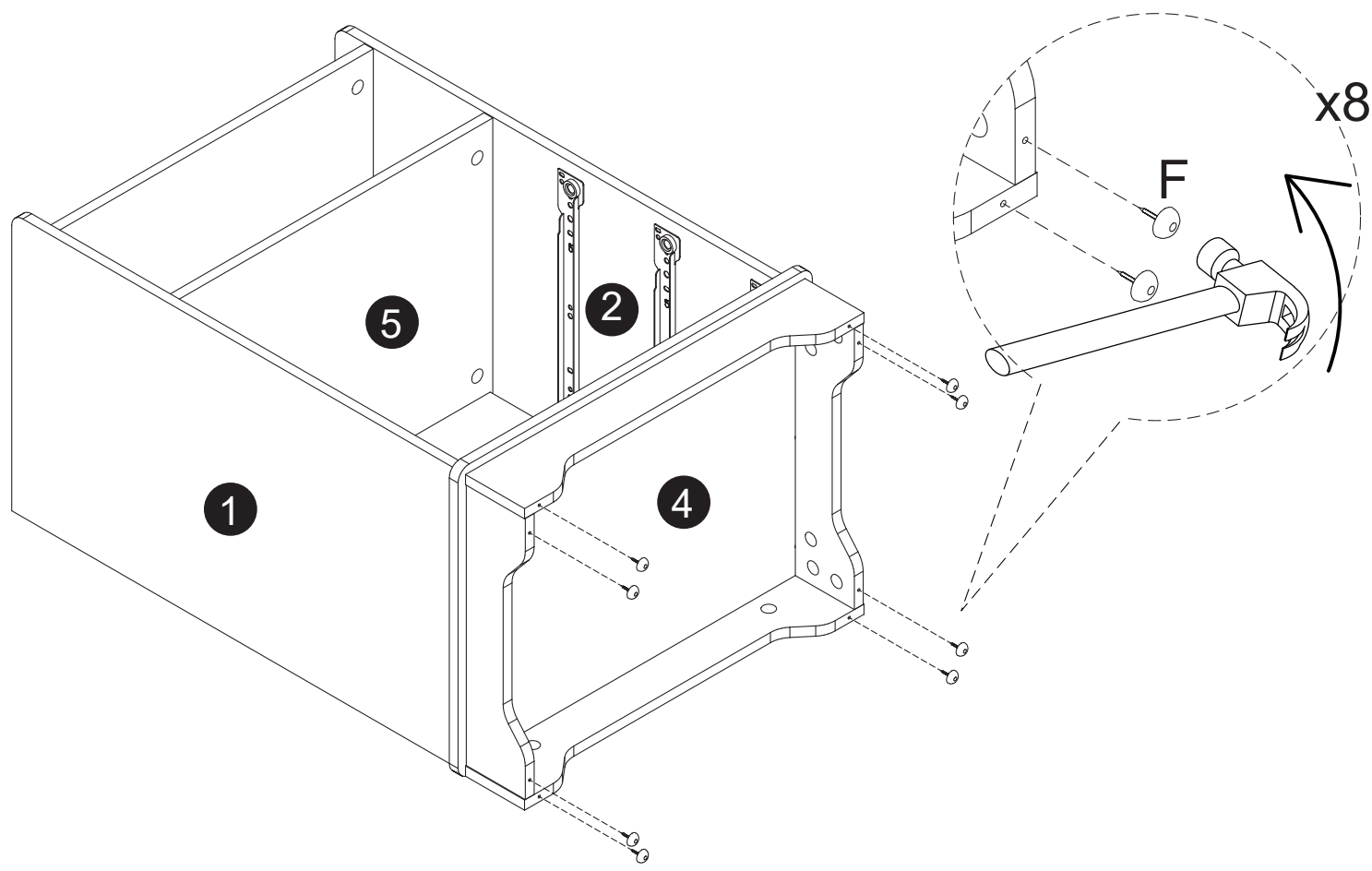
15



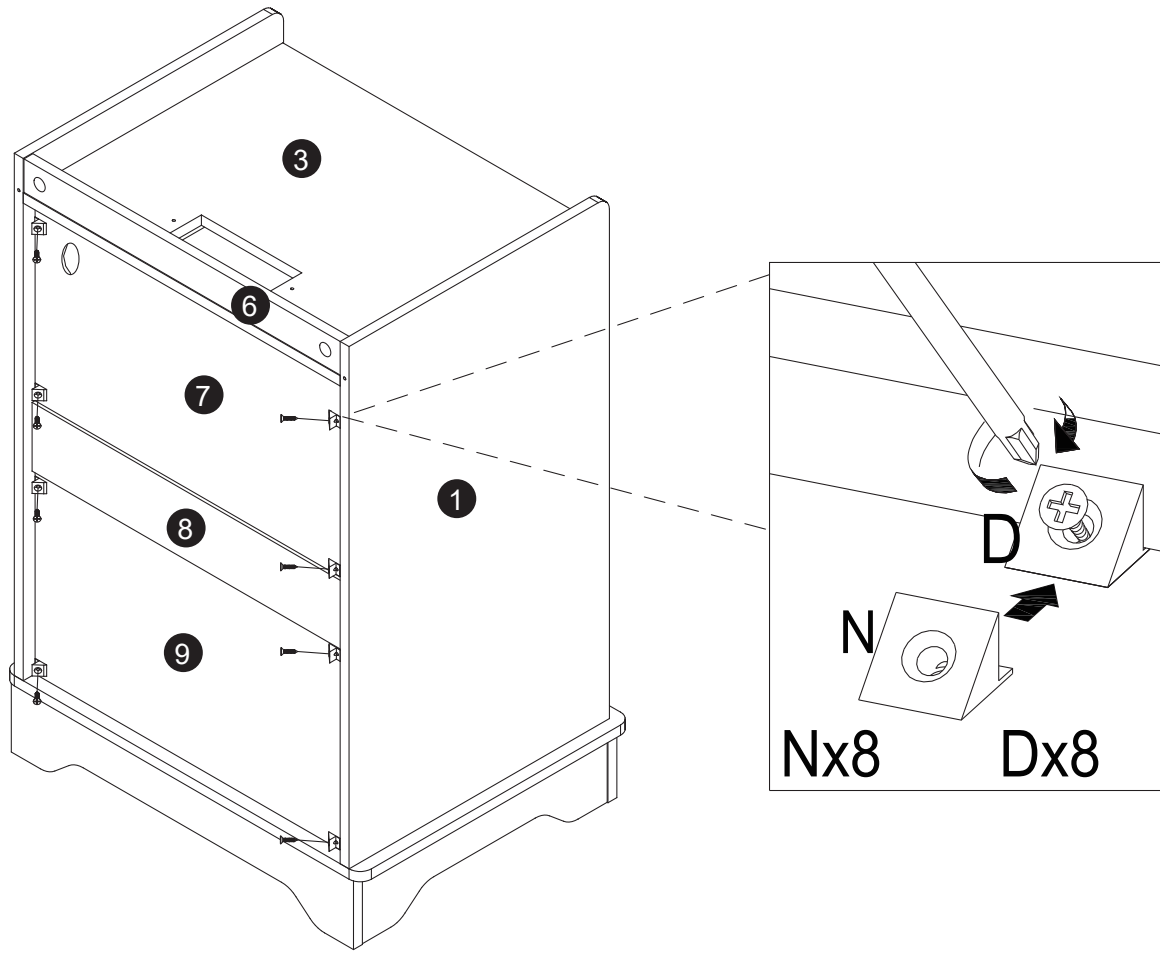
16



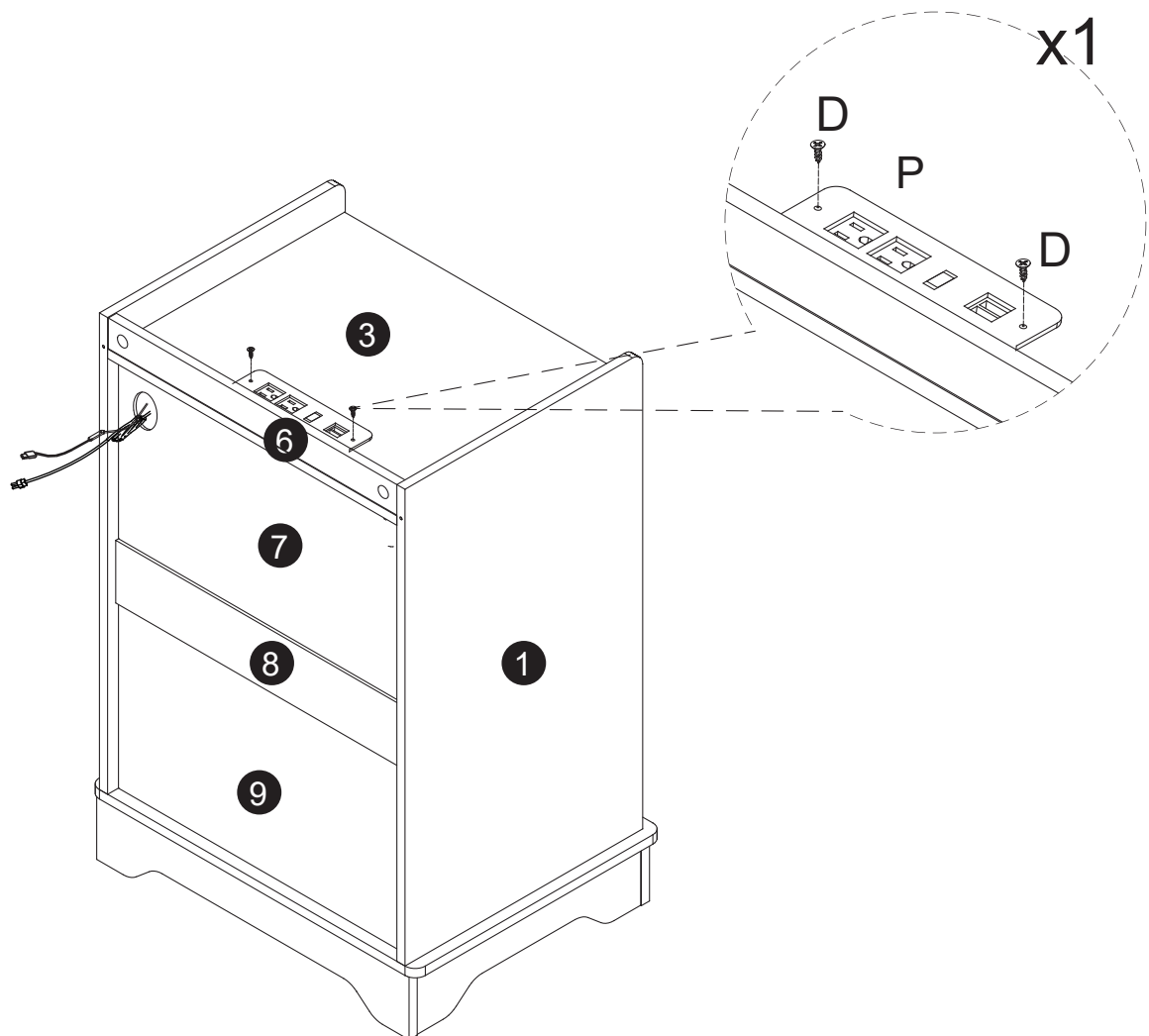
17

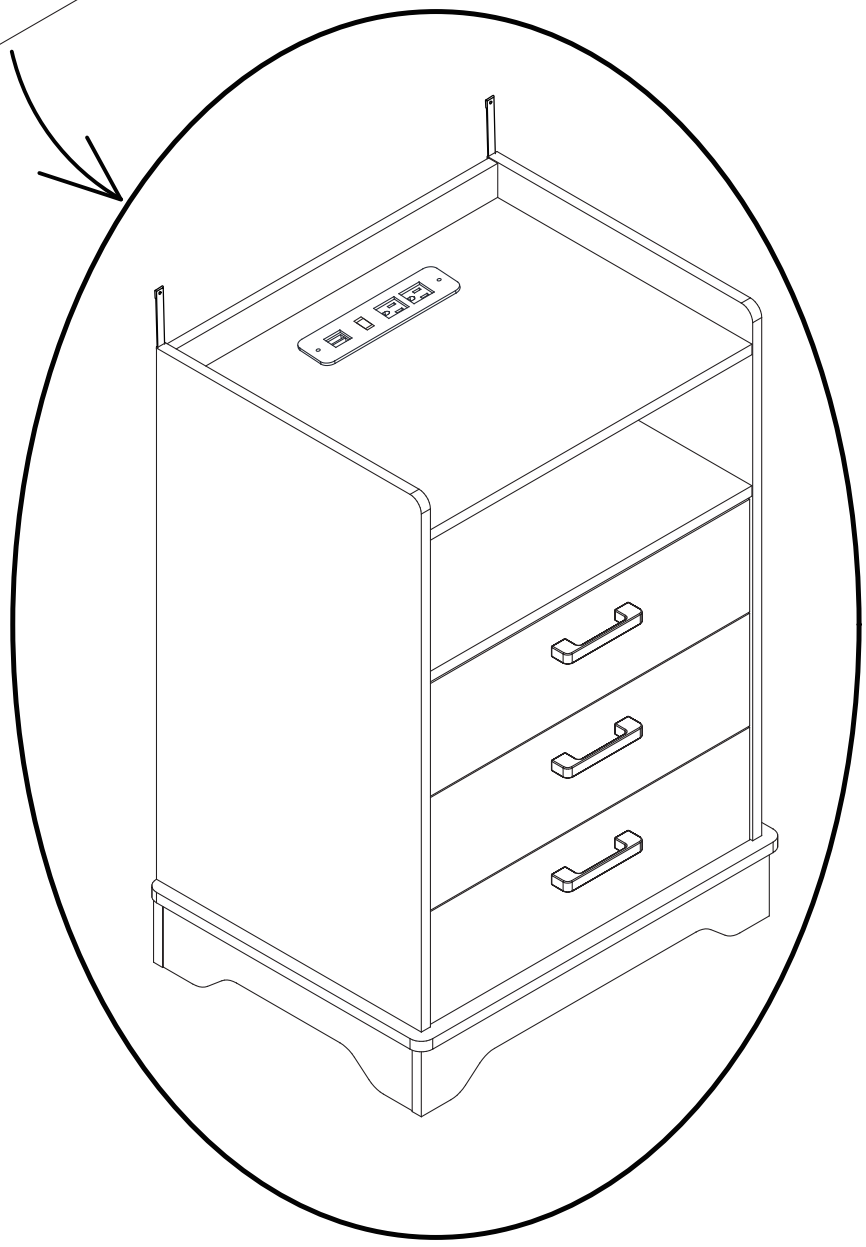
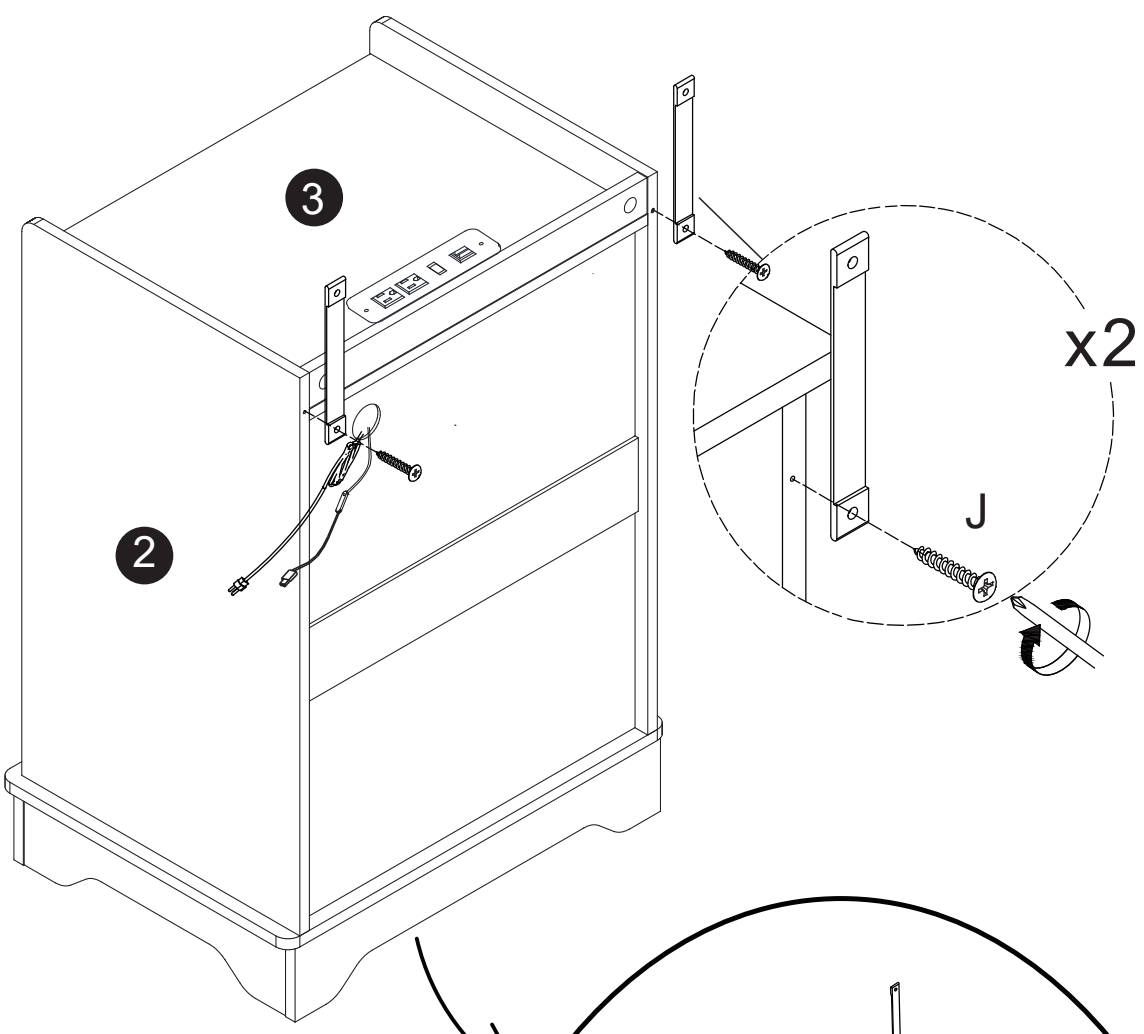


18

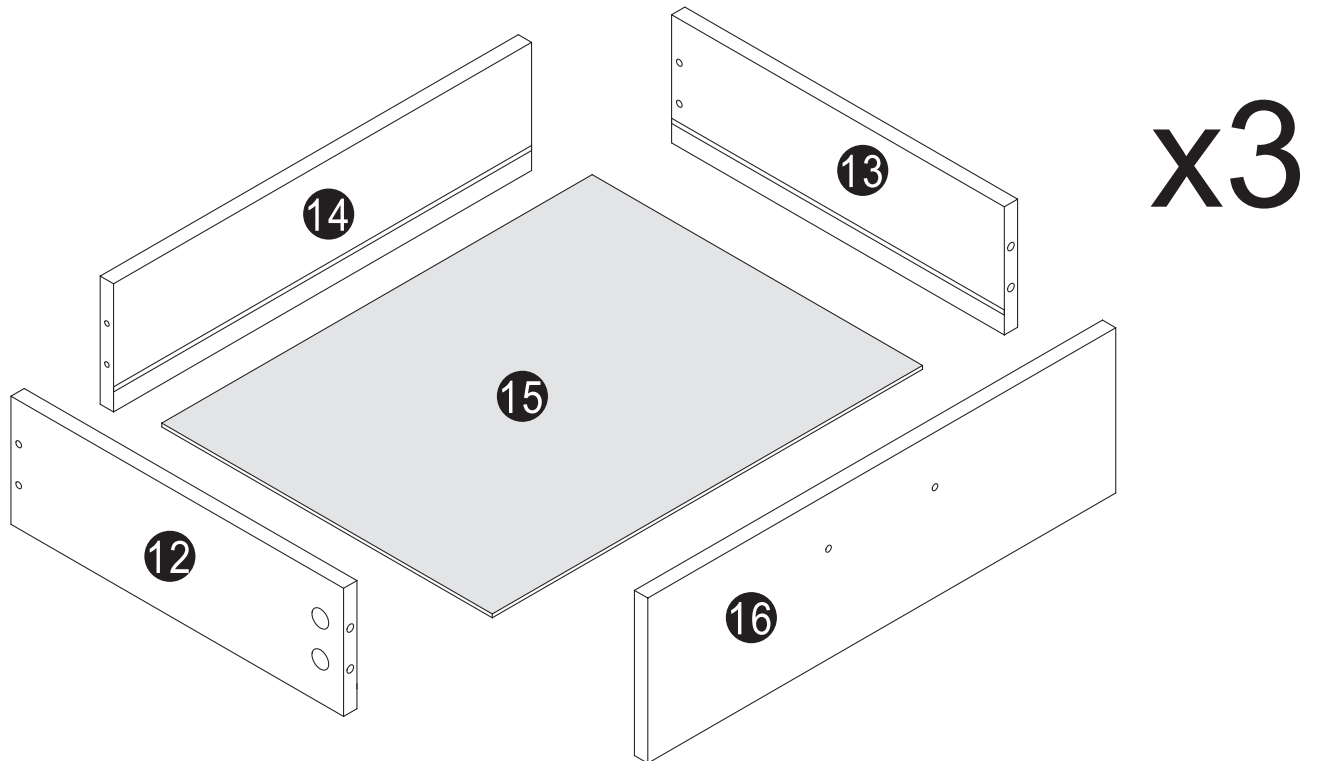
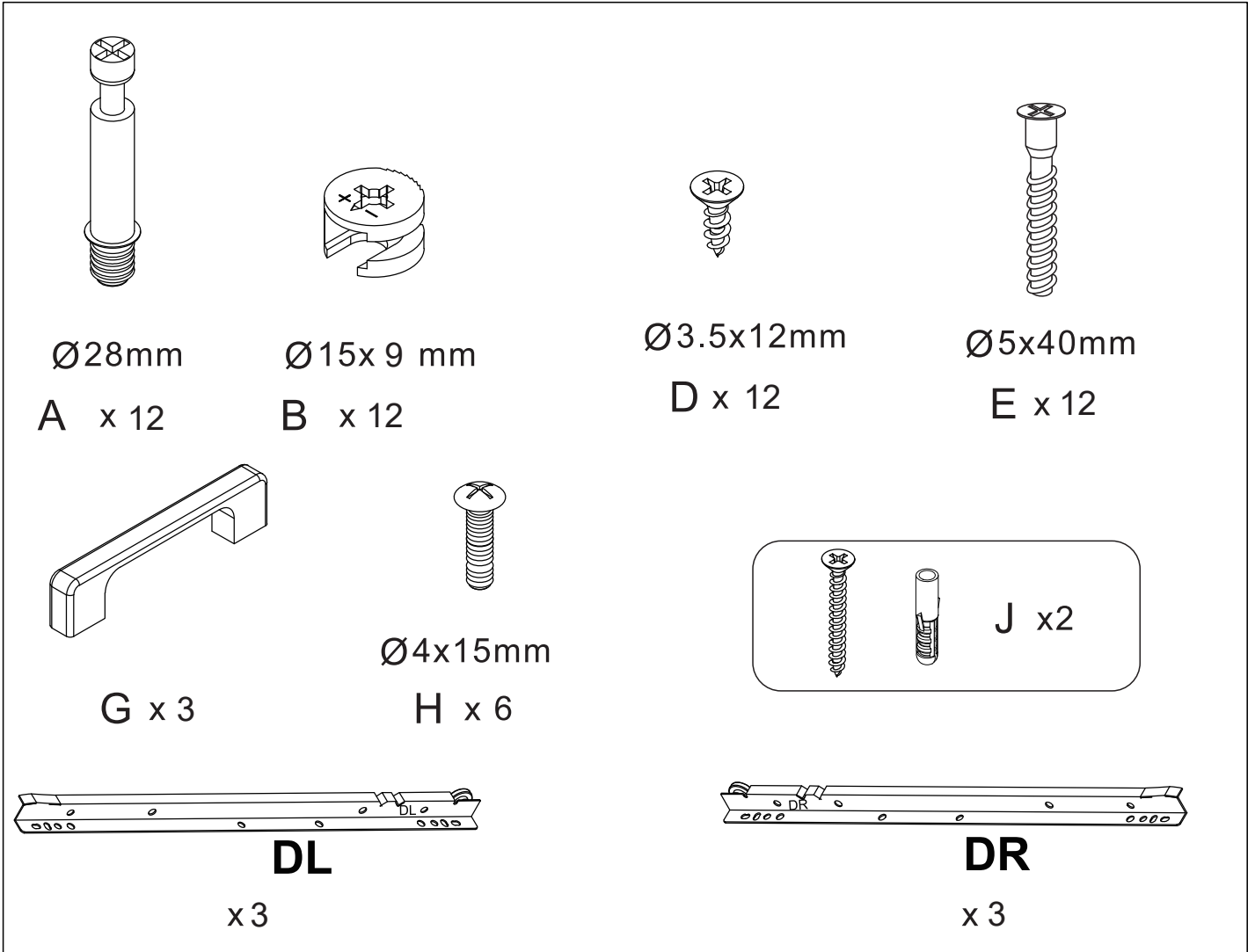


19

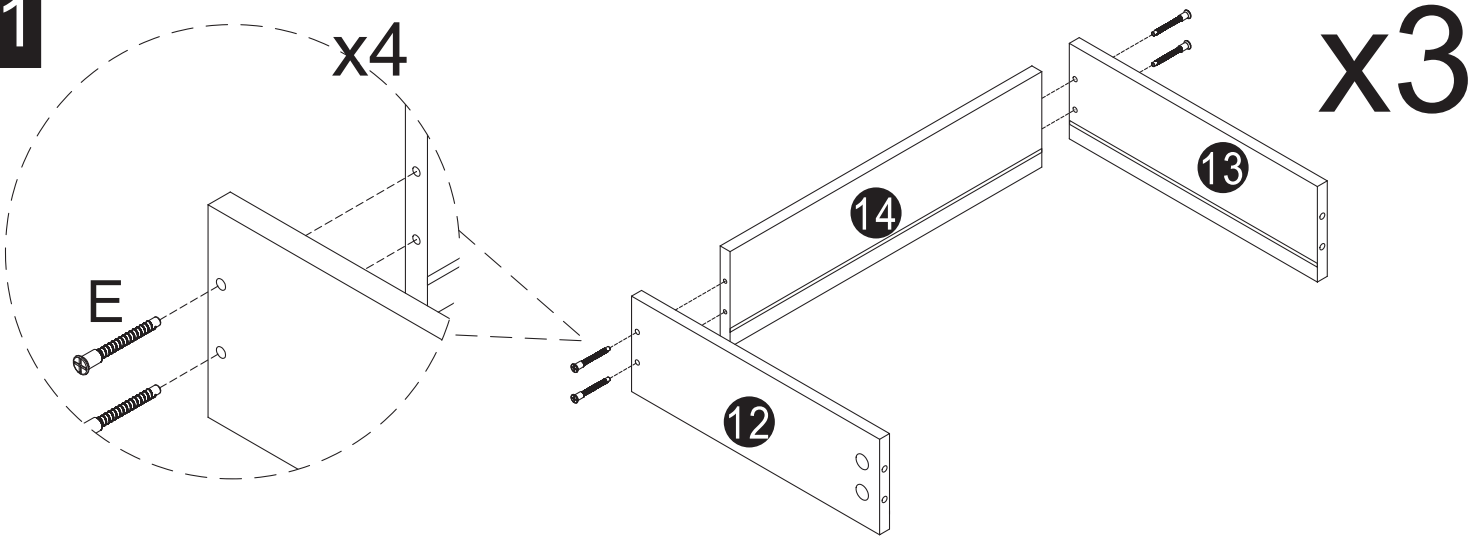




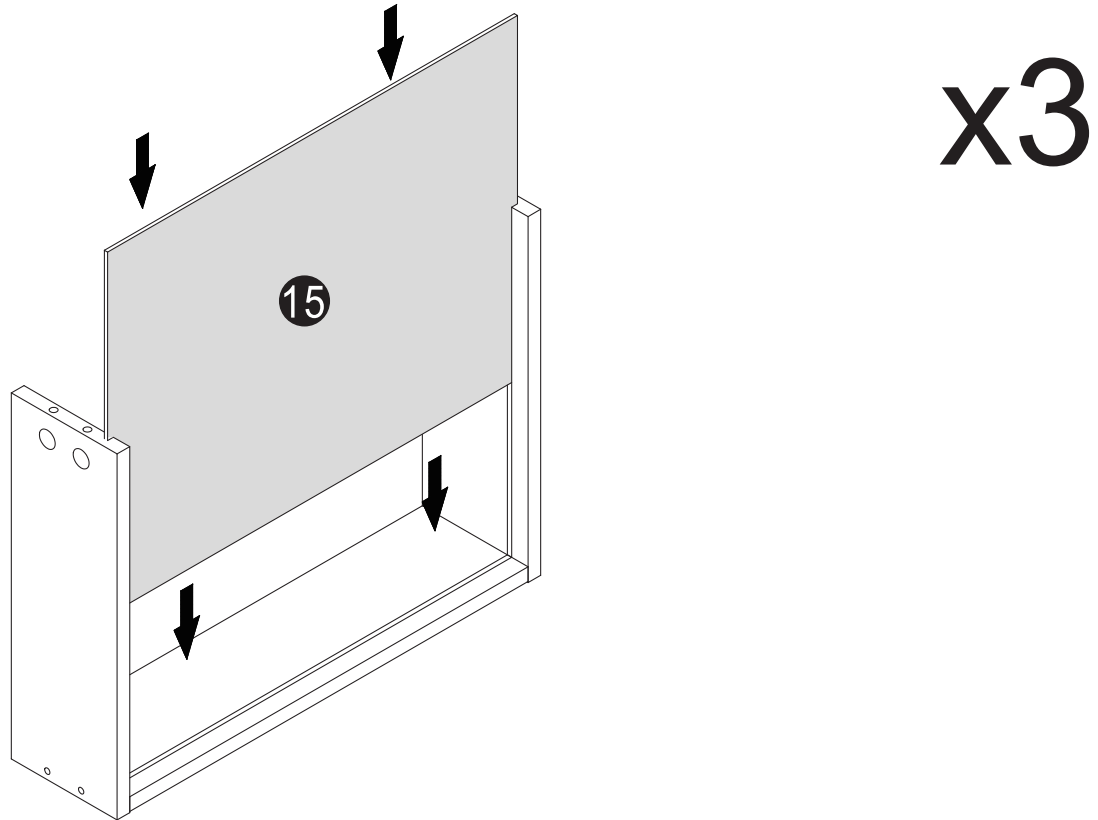
# Drawer installation



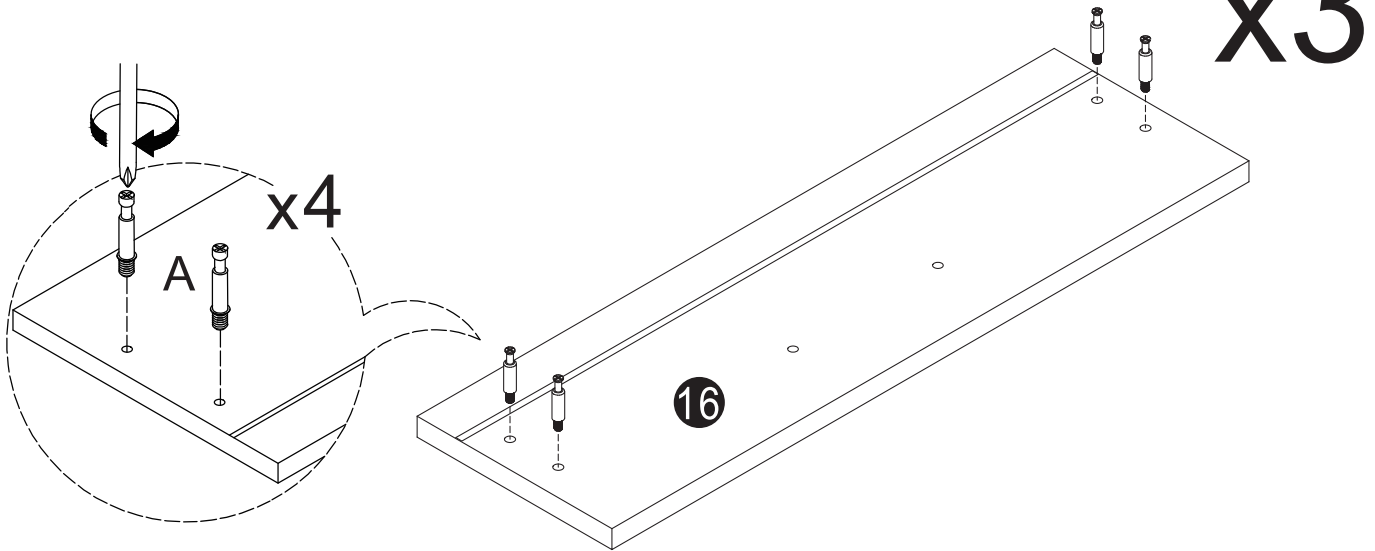
21



22

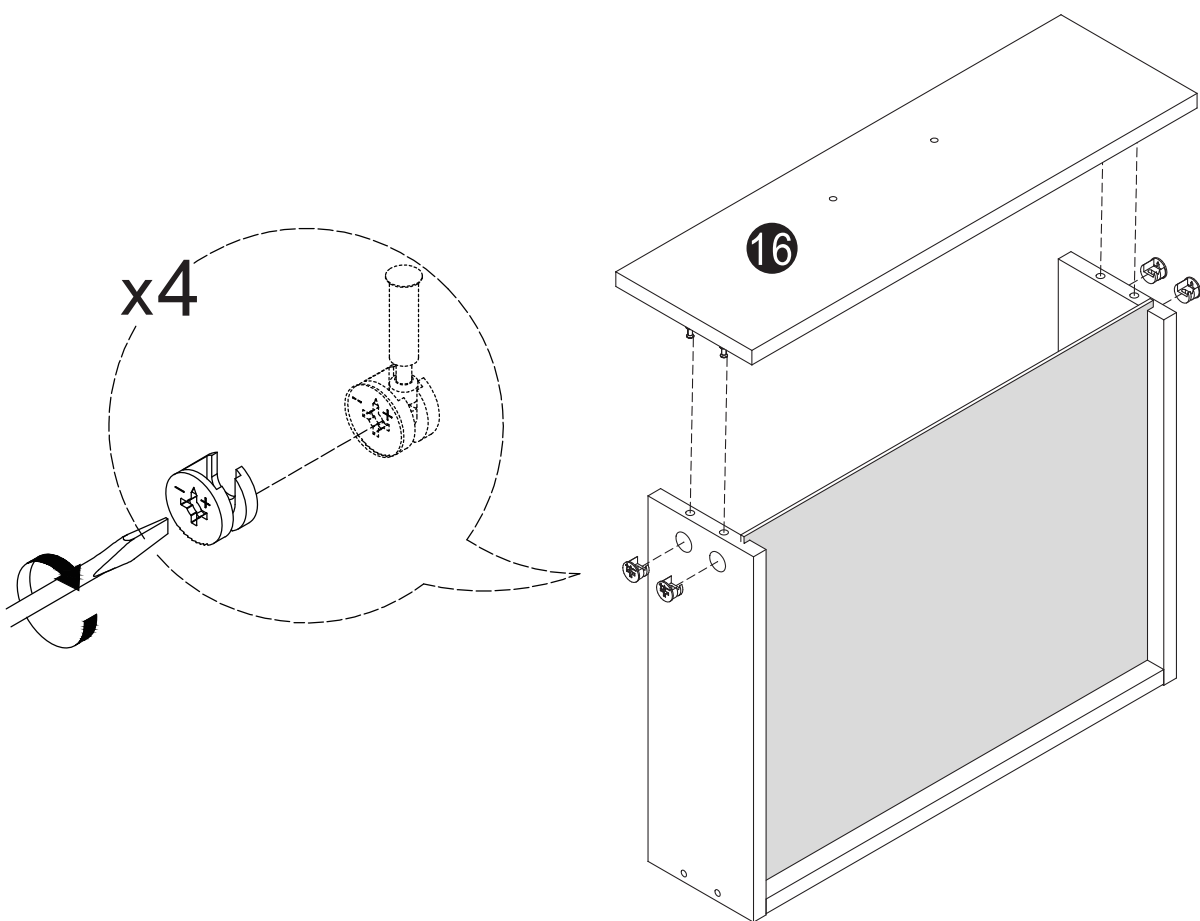


23



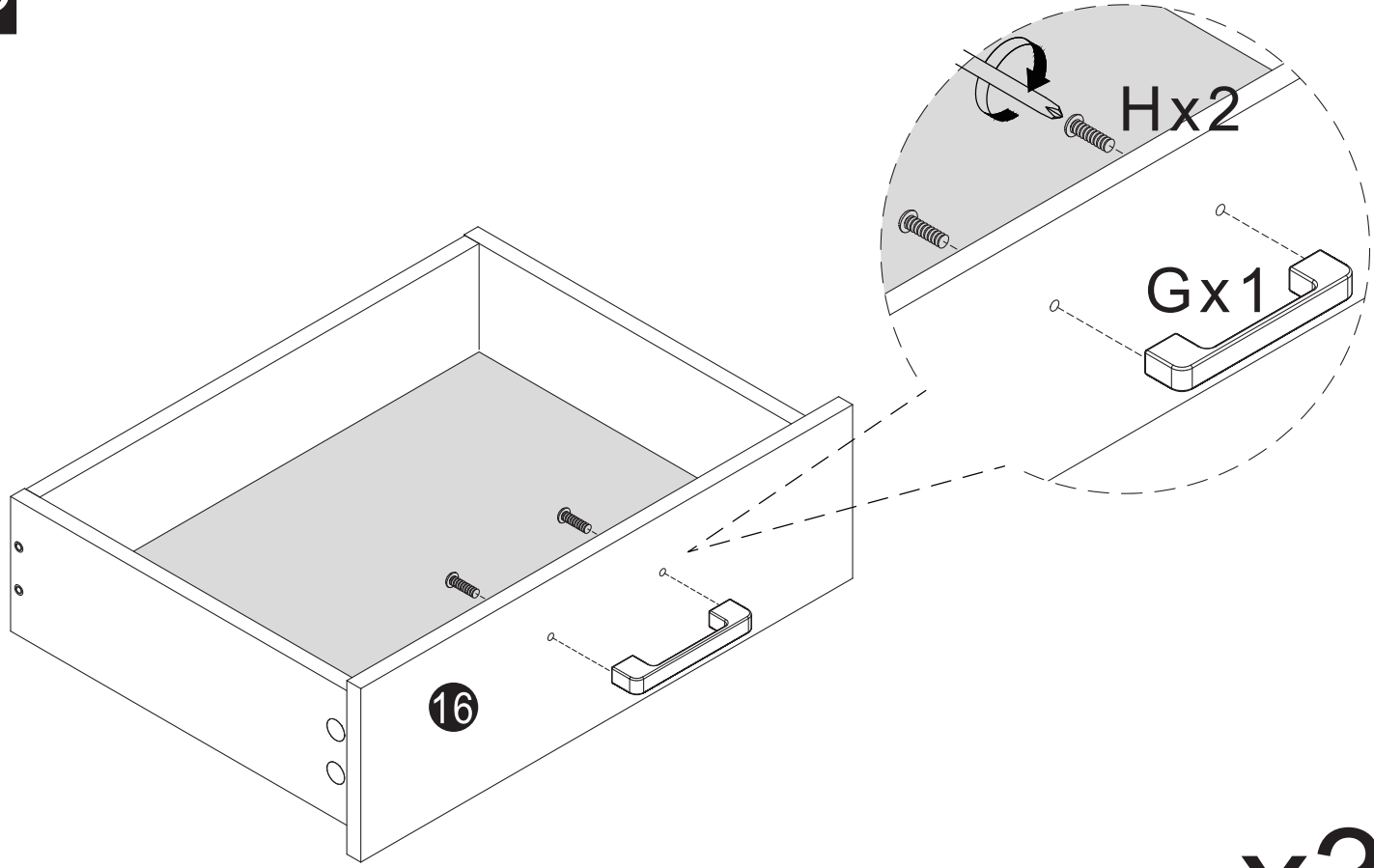
24

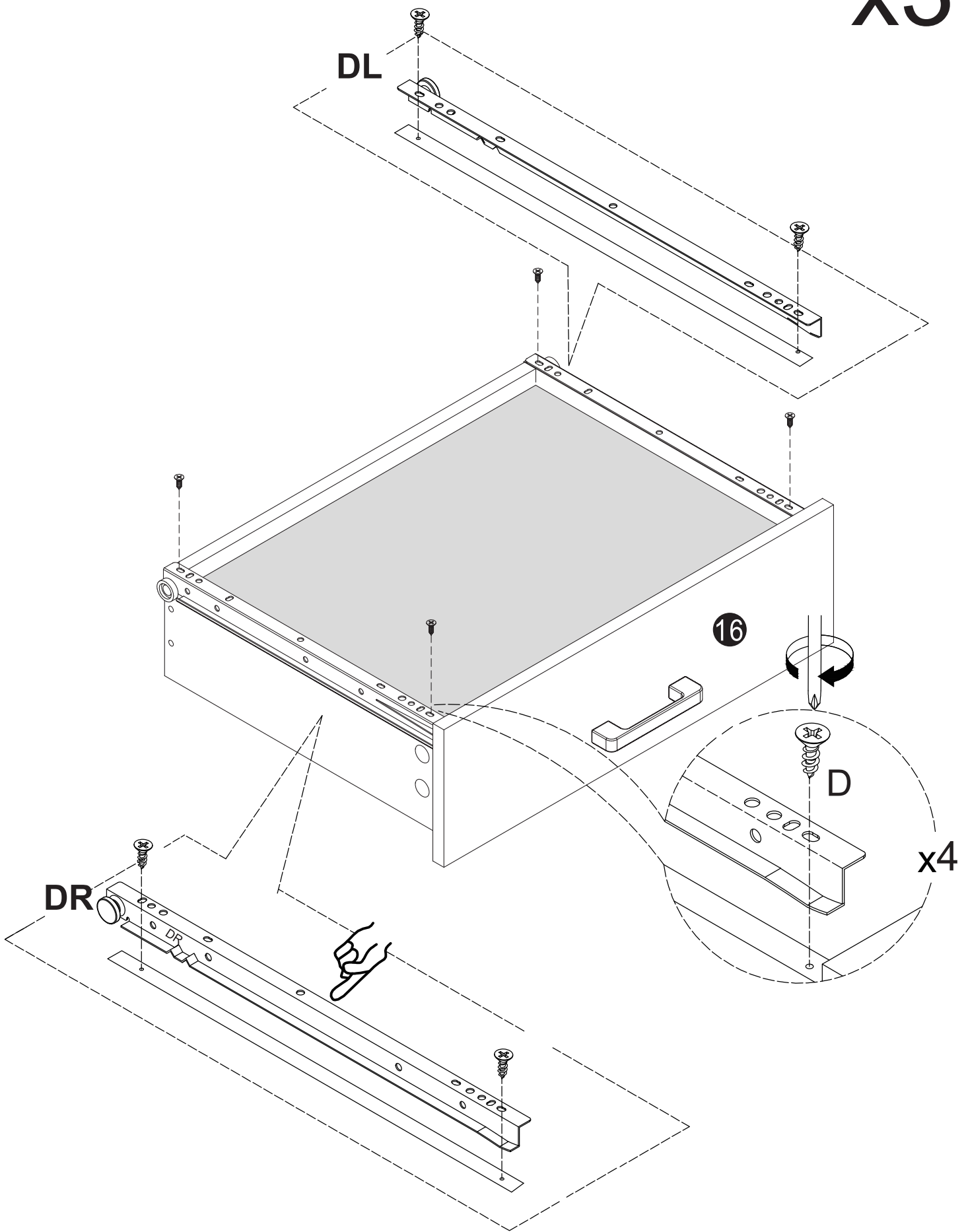
x3



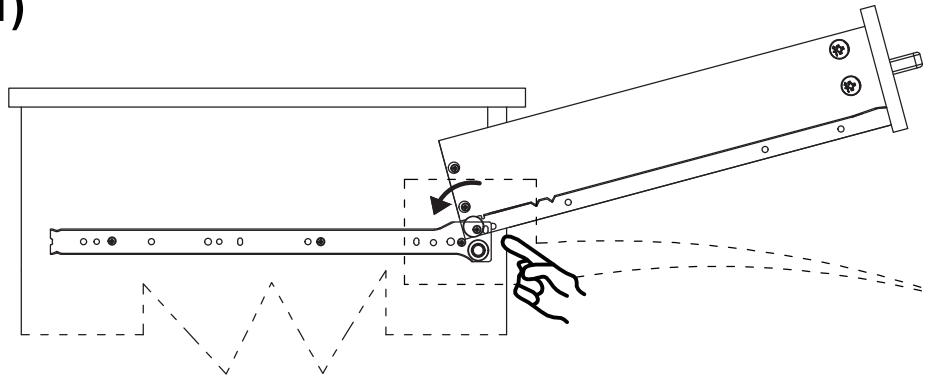
25

x3

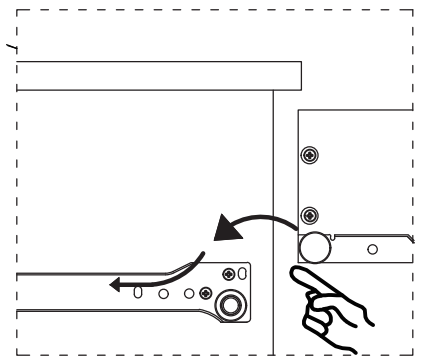
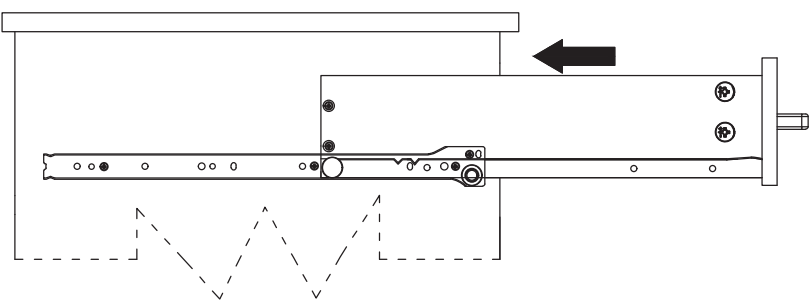




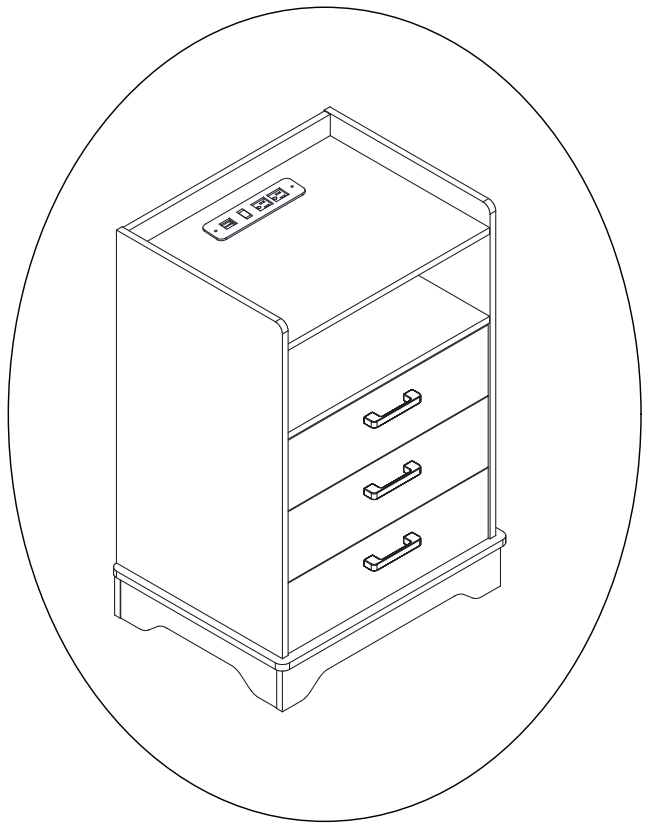
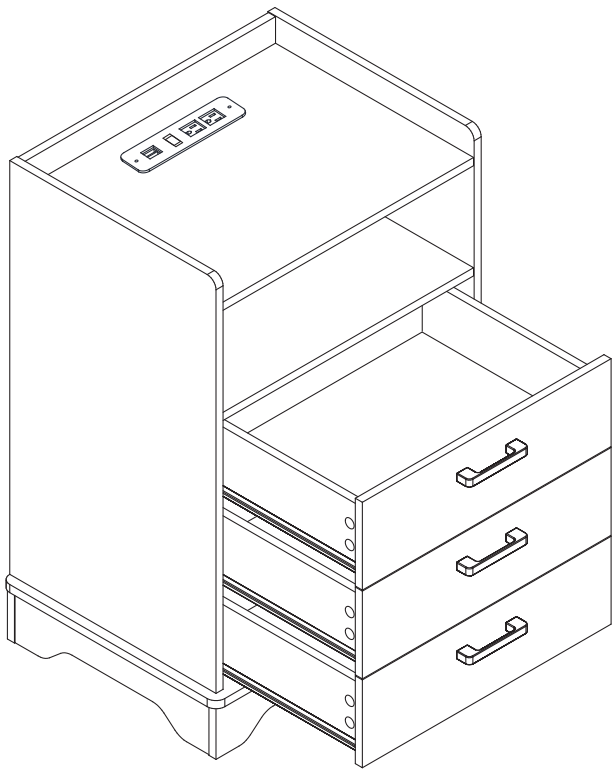
(1)



(2)



X



**WALL**

**I x2**

**WALL**  
+  
drilling hole  
Ø8x50mm

**II x2**

**WALL**

**J**

**III x2**

**WALL**

**J**

**x2**

