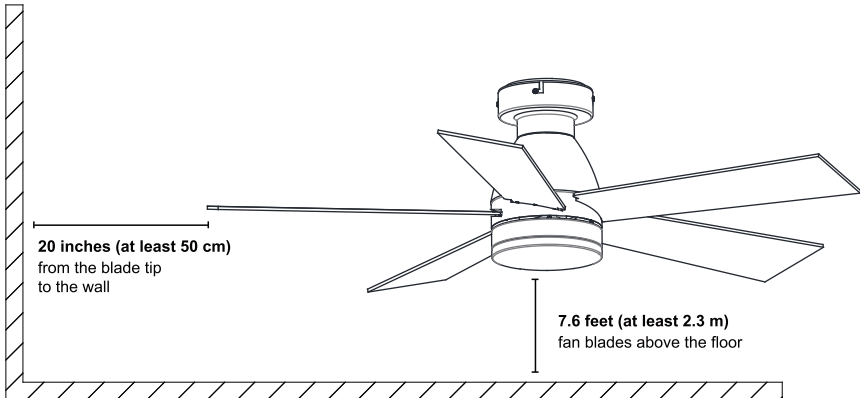


Model number: V001-42  
V001-52

# Instruction Manual



ON We want to hear from you!  
CONTACT INFORMATION We want to hear from you!

Feel free to contact us if you have any problems using our product(s) or would like to know more about our brand.

We will be more than happy to provide you with first class pre-sales & after-sales service 24\*7.

E-mail: [anna-co@foxmail.com](mailto:anna-co@foxmail.com)

For any problems about this product, you can contact this email

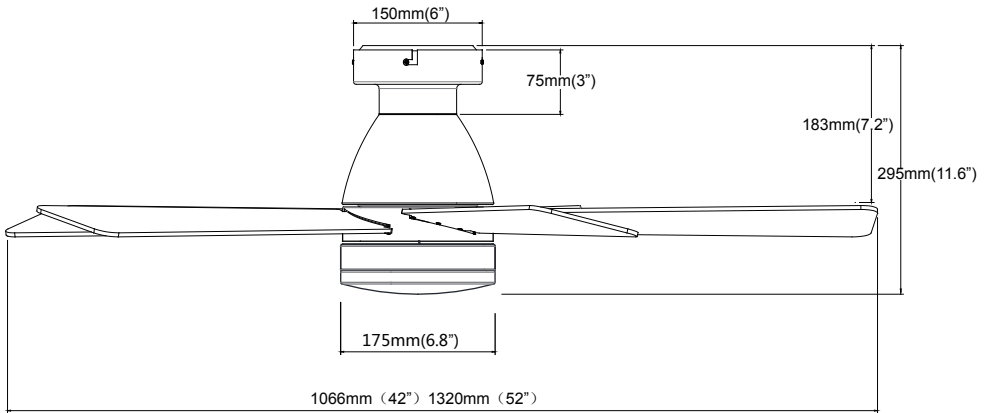


Installation Video



APP Connection

# SPECIFICATIONS



Product Name	Ceiling Fan
Rated Voltage	110V~240V
Motor Power	35W(42") / 35W(52")
Wind Speed Level	1~6
Control Method	ALEXA, GOOGLE, APP, Remote Control
N.W & G.W.	N.W.= 9.3 lbs;G.W.= 11 lbs 42" N.W.= 9.7 lbs;G.W.= 11.7 lbs 52"
Type of Motor	DC
Sound Level	30-48dB
Fan Material	5 Polywood blades

# SAFETY INFORMATION:

---



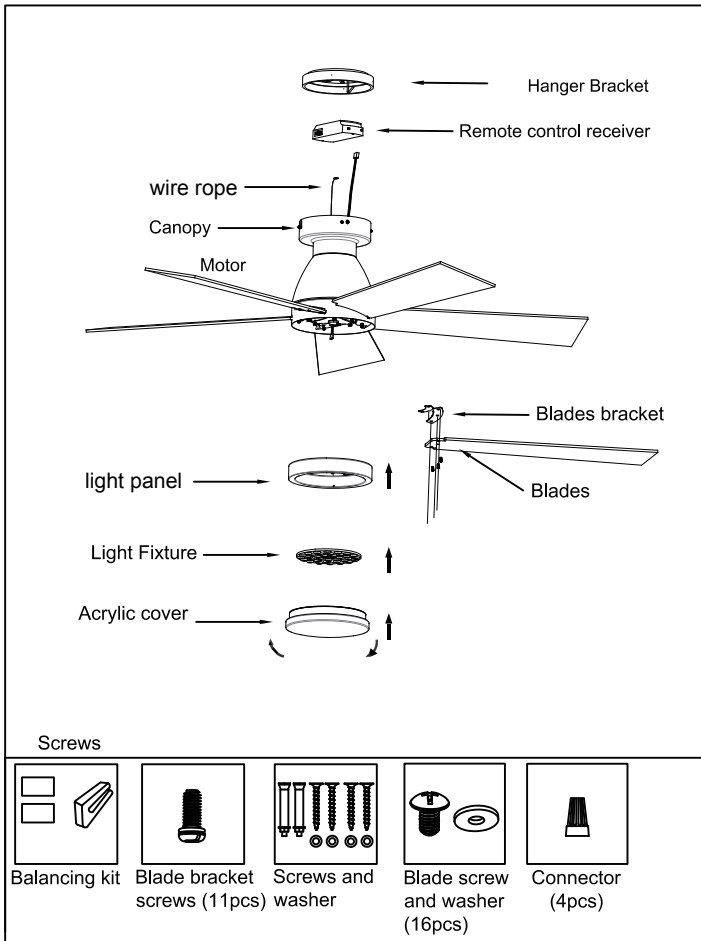
## WARNING

### SAFETY INFORMATION:

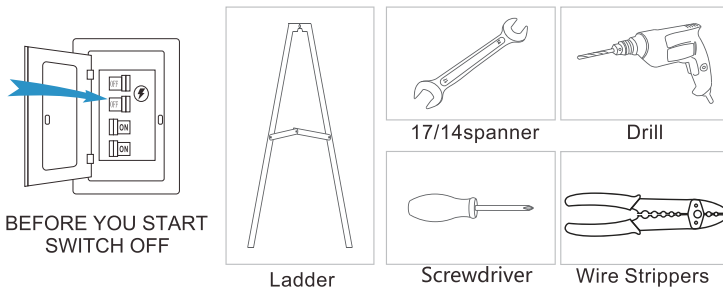
1. Do not install the fan with wet hands.
2. Keep children away from your working area.
3. Do not insert foreign objects between the rotating fan blades.
4. Do not bend the fan blades when installing or cleaning the fan.
5. Do not disassemble or modify this product or use non-original parts without permission.
6. Make sure that the installation location allows the fan blades to rotate without obstacles.
7. To reduce the risk of personal injury, attach the fan directly to the building's support structure.
8. To reduce the risk of fire or electric shock turn off the power to the fuse box or circuit breaker before installing the fan.
9. Before connecting the power supply, make sure that the power supply used matches the specifications of the ceiling fan.
10. All wiring must comply with national and local electrical codes ANSI/NFPA 70. If you are not familiar with wiring, please use a qualified electrician.
11. Properly dispose of the fan's packaging material. Make sure the ceiling fan is firmly secure to the ceiling. Double check all connections before you restore power. Turn off the fan and wait for the blades to stop completely before performing any maintenance or cleaning.
12. Using power supply 120V/60Hz.

<b>CONTENTS:</b>	
<b>SAFETY INFORMATION</b>	<b>1</b>
<b>FAN STRUCTURE DRAWING</b>	<b>2</b>
<b>INSTALLATION INSTRUCTION</b>	<b>3</b>
<b>REMOTE CONTROL MANUAL</b>	<b>9</b>
<b>SMART APP CONNECTION INSTRUCTION</b>	<b>10</b>
<b>APP CONTROL MANUAL</b>	<b>12</b>
<b>VOCIE COMMAND</b>	<b>13</b>
<b>TROUBLESHOOTING</b>	<b>14</b>

# FAN STRUCTURE DRAWING:



## TOOLS THAT MAY BE USED DURING INSTALLATION :

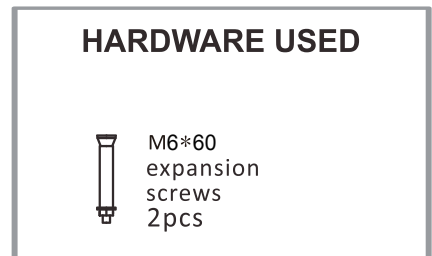
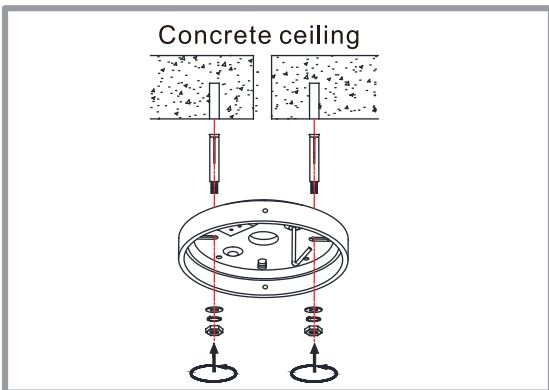
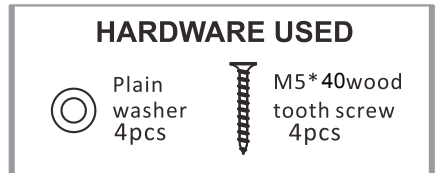
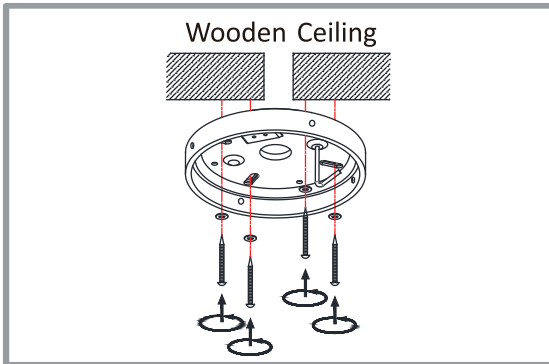
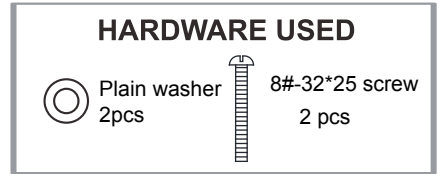
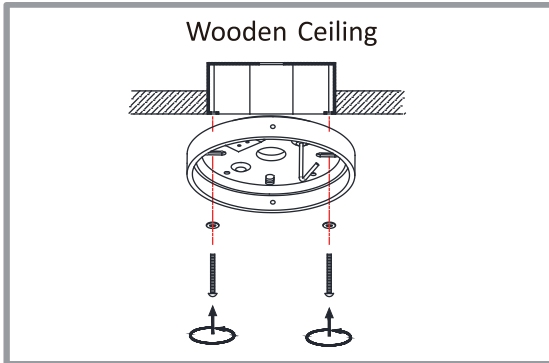


### NOTE:

Suitable for conventonal switches, can control the fan and light on/off.

NOTE that you cannot connect the dimmer switch or the fan's gear switch.

# 1. INSTALLATION OF HANGER BRACKET:

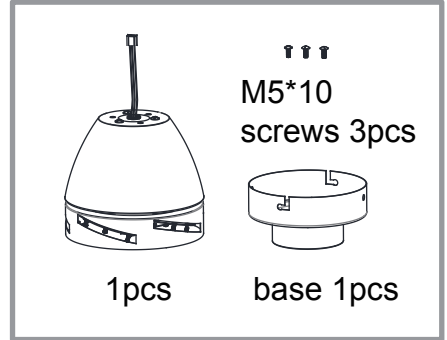
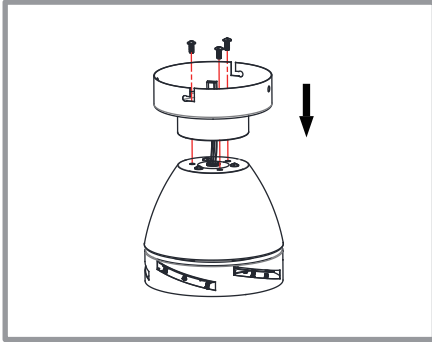


Note: Ceiling fan should be installed on hard ceiling (wood ceiling, metal ceiling, concrete ceiling), which withstands approximately 30 kilograms of force.

Hole distance of hanger bracket for wood ceiling is 117mm; hole distance of hanger bracket for metal ceiling/concrete ceiling is 93-117mm.

## 2. INSTALLATION OF FAN BASE :

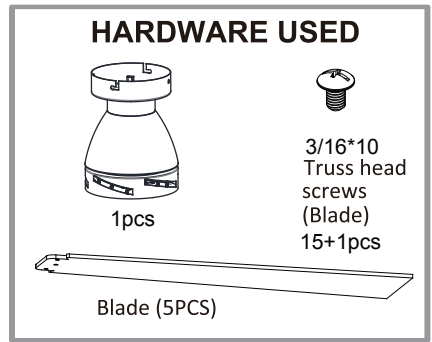
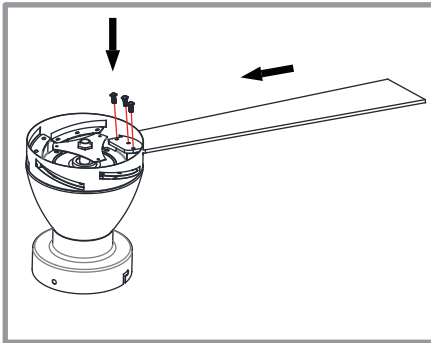
---



Align the three small holes on the bottom of the base with the three M5 threaded holes on the motor housing assembly, then fasten them securely with three M5\*10 screws.

## 3. INSTALLATION OF FAN BLADES :

---



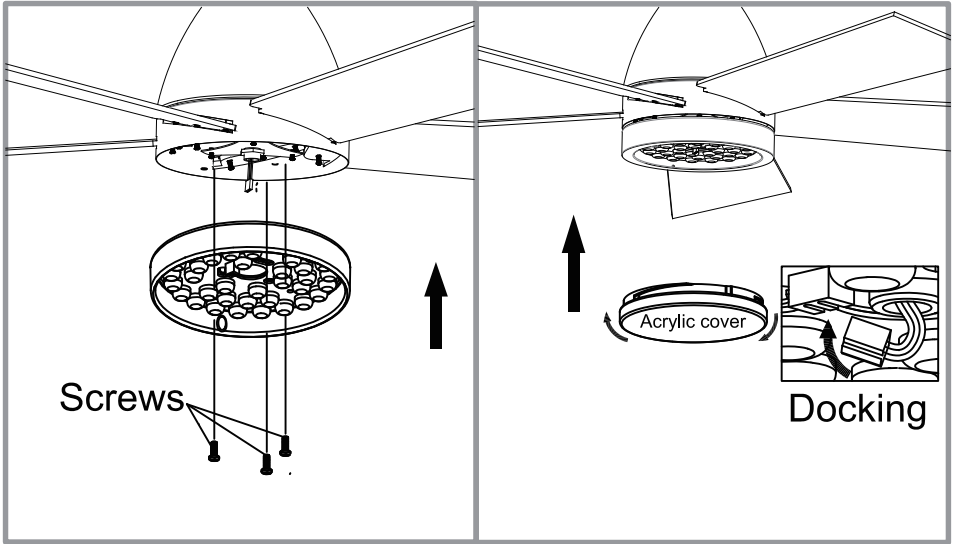
Install blade to blade bracket with blade cover using the supplied screws and washers.



**Please do not use an electric drill to install the solid wood /plywood blades.**

## 4. INSTALLATION OF LIGHTKIT:

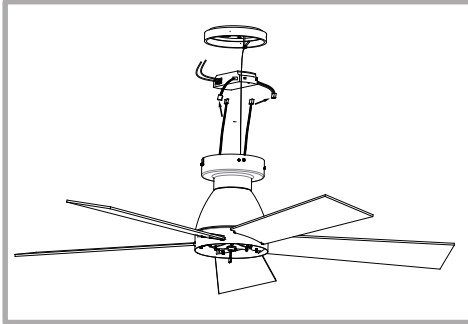
---



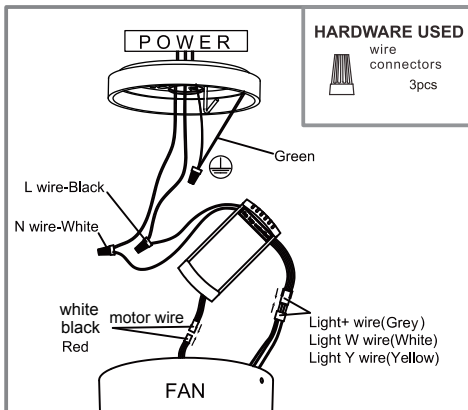
- 1) Remove three screw from the motor round piece.
- 2) Fix the light kit with the 3 screws.
- 3) Connect the motor line to the panel line.
- 4) Hold the lampshade and turn it clockwise to tighten it.

## 5. WIRING OF CEILING FAN :

---



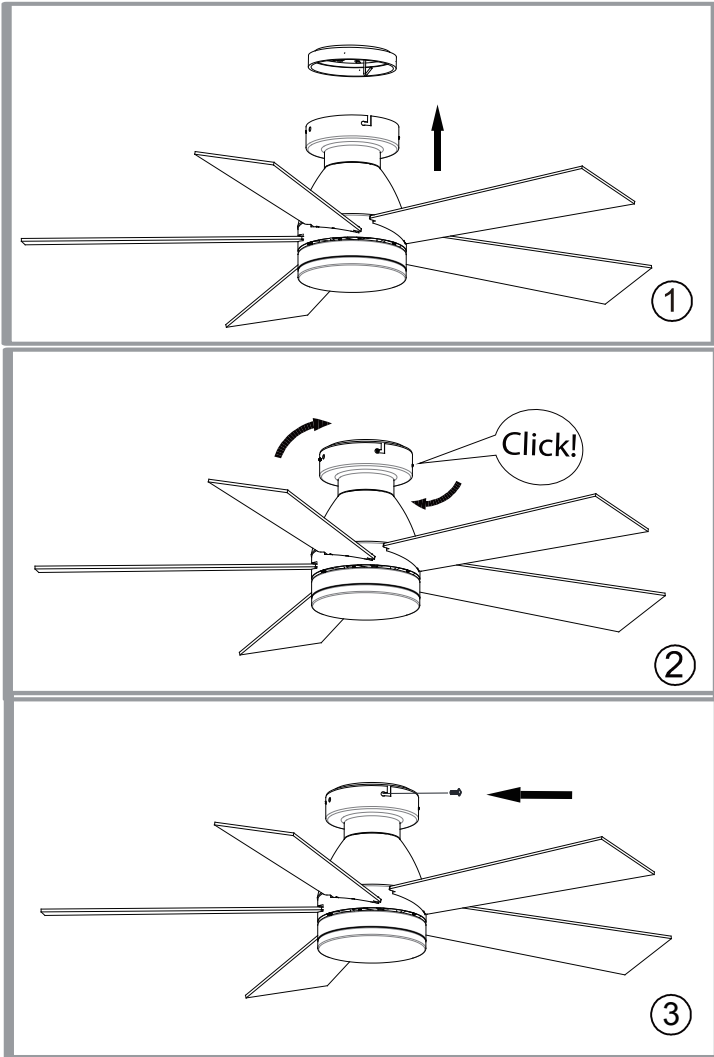
1, Fix the wire rope to the hanging plate the j-box or a load-bearing ceiling, and ensuring they are secure.



2. For the internal wiring of the lamp body, connect the motor wire to the motor wire port of the controller, and connect the light wire port of the controller. ant then place the controller inside the ceiling cover.

3, Connect the black wire L to the live wire L of the power supply, and connect the white wire N to the neutral wire N of the power supply, connect the green wire  $\oplus$  to the ground wire  $\oplus$  of the power supply.

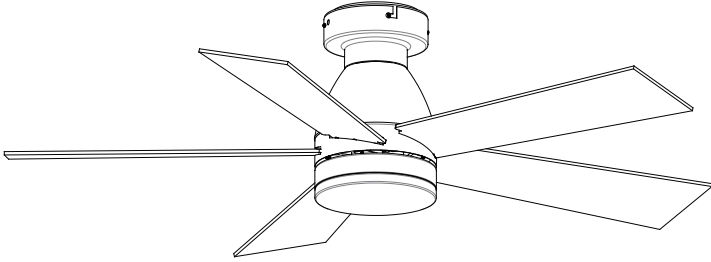
## 6 . HANGING OF CEILING FAN:



First, remove the two opposite screws from the hanging plate, then loosen the remaining two screws by 5 mm. Align the J-shaped hole on the lamp body base with the two loosened screws on the hanging plate, rotate the base clockwise until you hear a click or until it is properly seated, and finally tighten all the safety screws, including the ones that were already in place.

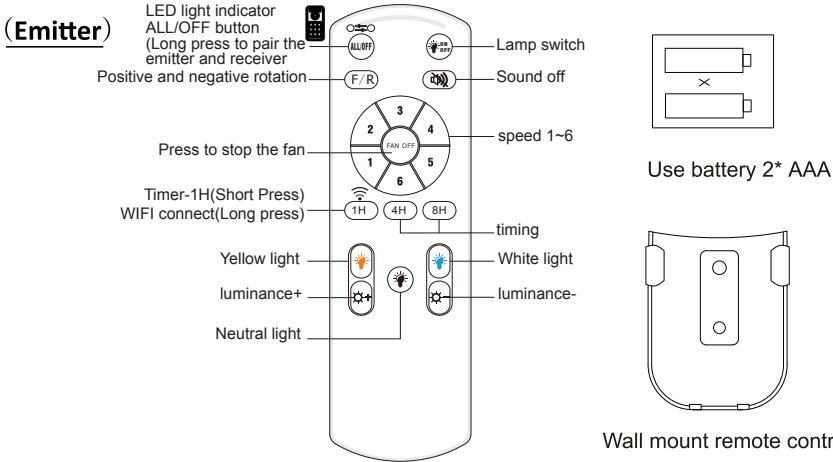
## 7 . TEST THE CEILING FAN:

---



**Upon installtion completion,power on and test the light.**

# REMOTE CONTROL MANUAL (BUTTON FUNCTION):



## **IMPORTANT:**

The remote control transmitter and receiver have factory pre-set/paired and ready to be used immediately. If require to re-pairing the transmitter and receiver, follow below instruction:

1. Turn the ceiling fan main switch power Off for 10 seconds.
2. Turn the ceiling fan main switch power on, and will hear a Beep sound then within 30 seconds press and hold the 'FAN OFF' button.
3. Wait for the receiver to emit a beep sound, then release the button. The pairing process is complete.
4. If the pairing process un-successfully, then repeat step 1 to step 3. (Note: Ensure the batteries have enough power)

NOTE: After pressing the timer(2H) button, if any other button is pressed, the timer function will be cleared. Do not press any buttons after setting the timer function.

5. If the emitter cannot control the receiver, check if there are any similar remote controlled products nearby and see if they are working. Remote controlled products with the same frequency can interfere with each other.
6. Low battery voltage will affect the sensitivity of the emitter and the signal reception. The indicated light will dim when the battery voltage is low. Replace the battery if it is low.
7. Remove the battery from the emitter if it will not be used for a long time.
8. Refer to the "POWER PARAMETER LIST" above for the maximum load of the lighting.  
PS: Please connect the ground wire correctly to avoid micro-light or flashing of the light.
9. When installing the fan, make sure the fan ceiling cover does not press against the antenna (or other wires) as it can break the wire and cause a short circuit.

# SMART APP CONNECTION INSTRUCTION

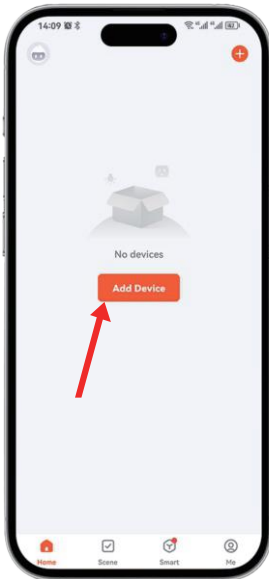


Scan the QR code and download “TUYA” smart APP.  
(The ceiling fan needs work at 2.4 GHz WIFI to connect the device)

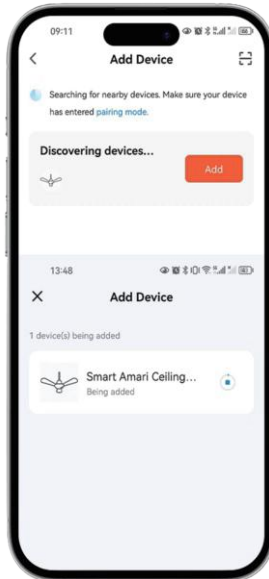
[If you have any question, please refer to more detail about our APP & CEILING FAN CONNECTION INSTRUCTION]

## ADD automatically (WIFI & BLUETOOTH both on) --RECOMMENDED

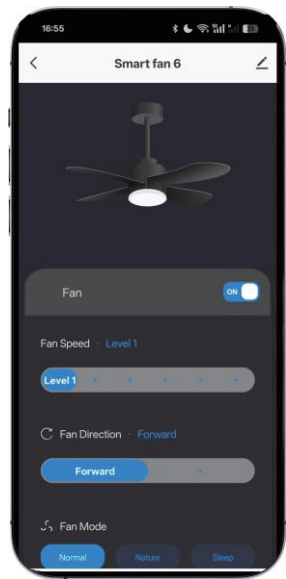
1. Open TUYA smart APP & Turn on the Fan power supply, press the button of “2H” on the remote for at least 5 seconds until hearing 2 or more beep sounds.
2. Then Click “Add device”(Fig 1) on the APP Page.
3. Then click "Add" (Fig 2) and wait for the connection(Fig 2) (Note: if the ceiling fan is not searched, please make sure the 2.4 Ghz WIFI & Bluetooth are on and the network is stable; if the ceiling fan is disconnected within 3 mins please retry to pair the fan by repeating step 1.)
4. After connecting successfully, then click "next".
5. After that, then click "Finish" to enter the interface.
6. Then the following page is shown (Fig 3) you could operate normally with the page.



( Fig 1 )



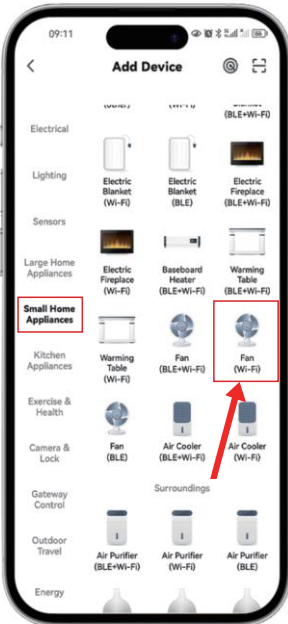
( Fig 2 )



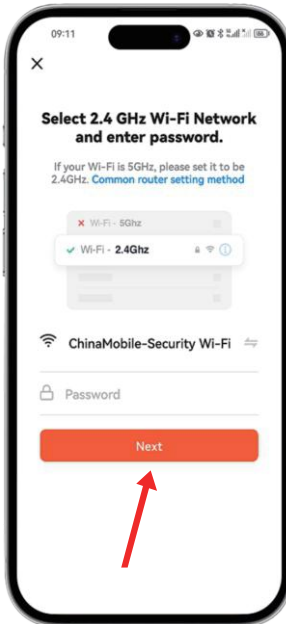
( Fig 3 )

## ADD MANUALLY (WIFI ON & BLUETOOTH OFF)

1. Open "TUYA" smart APP and then Click "Add device" on the APP Page
2. Then Under "Add Manually" SELECT "Small Home Appliances"
3. Then Select "Fan(WI-FI)" (Fig 4) and Type in your WIFI code & password (Fig 5)
4. Turn on the Fan power supply, press the "2H" key on the remote for at least 5 seconds.
5. Then Click "Confirm the indicator is blinking" on the APP page and then Select "Blink Quickly".
6. Waiting for connection and Clicking "Done" on the APP page.  
(Note: if the ceiling fan is not searched, please make sure the 2.4 Ghz WIFI & Bluetooth are on and the network is stable; if the ceiling fan is disconnected within 3 mins please retry to pair the fan by repeating step 1.
7. Then the following page shown (Fig 6) you could operate normally with the page.



( Fig 4 )

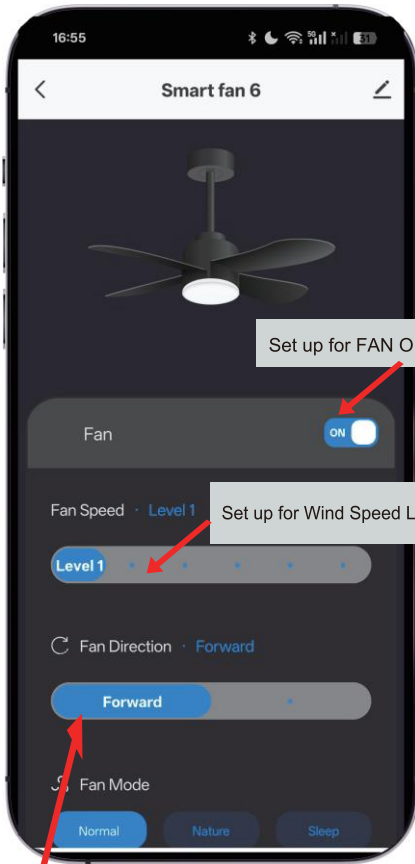


( Fig 5 )



( Fig 6 )

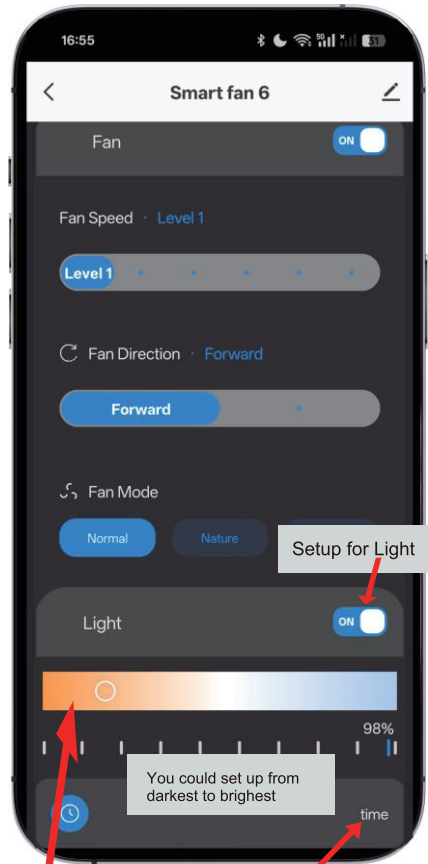
# APP CONTROL MANUAL



Set up for FAN ON/OFF

Set up for Wind Speed Level

Setup for fan direction  
(Forward/Reverse)



Setup for Light

You could set up from  
darkest to brightest

Set up for Timer, you could set it exactly  
to how many hours and how many  
minutes to shut down

Also, you could Setup  
Color Temperature  
from 1 to 100

# Alexa/Google assistant Connection Instruction & Voice Command

## Connection Instruction

1. Make sure you have connected the device to the app and working normally.
2. Open "Tuya" app, click "Me", and choose "Alexa" or "Google Assistant" on "Third-Party Services".
3. Click "Link to Amazon Alexa" / "Link to Google Assistant".

### Note:

- (1) Connect the device to the App recommend to turn on WIFI and Bluetooth on your phone.
- (2) This ceiling fan needs to use 2.4Ghz WIFI to work when you connecting the device.

### Common Voice Command:

- Tips:**
1. Please use in English
  2. Please name the lamp and the fan differently.
  3. Please say the voice command clearly and slowly.

### Alexa Command:

Light Switch	"Alexa, turn on <Device Name-1> light" "Alexa, turn off <Device Name-1> light"
Color Temperature Setting	"Alexa, set/make the < Device Name-1 > light warmer/cooler/softer/whiter" "Alexa, set/make the < Device Name-1 > light to warm white / soft white /white / daylight white / cool white."
Brightness Setting	"Alexa, set/make the < Device Name-1 > light to 50% brightness." (1-100% any number) "Alexa, brighten < Device Name-1 > light." "Alexa, dim < Device Name-1 > light."
Fan Power	"Alexa, turn on <Device Name-2> fan" "Alexa, turn off <Device Name-2> fan"
Wind Speed Level Setting	"Alexa, set the < Device Name-2 > speed to 5 (Speed-1 to Speed-6)" "Alexa, increase / decrease the < Device Name-2 > speed." "Alexa, what's the < Device Name-2 > speed?"
Forward/ Reverse	"Alexa, set/turn the < Device Name-2 > to forward (summer) / reverse (winter)."

### Google Command:

Light Switch	"Hey Google/Ok Google, turn on <Device Name-1> light" "Hey Google/Ok Google, turn off <Device Name-1> light"
Color Temperature Setting	"Hey Google / Ok Google, set/change the <Device Name-1> light to Ultrawarm white / Warm white / Cool white / Cool daylight / Daylight / Antique white / Cold sky / Bright daylight. "
Brightness Setting	"Hey Google / Ok Google, set < Device Name-1> light to 50% brightness.(1-100% any number) "Hey Google / Ok Google, set <Device Name-1> light brightness to 100%."(1-100% any number) "Hey Google / Ok Google, brighten < Device Name-1> light." "Hey Google / Ok Google, dim < Device Name-1>light."
Fan Power	"Hey Google / Ok Google, turn on <Device Name-2> fan" "Hey Google / Ok Google, turn off <Device Name-2> fan"
Wind Speed Level Setting	"Hey Google / Ok Google, turn / set <Device Name-2 > speed to 5 (Speed-1 to Speed-6)." "Hey Google / Ok Google, increase / decrease <Device Name-2 > speed." "Hey Google / Ok Google, what's the <Device Name-2 > speed?"
Forward/ Reverse	"Hey Google / Ok Google, set/change the < Device Name-2 > fan to forward / reverse" "Hey Google / Ok Google, set/change the <Device Name-2> fan to summer/ winter"

# TROUBLESHOOTING:

PROBLEM	REASON/PHENOMENON	POSSIBLE SOLUTION
Fan shaking	<ol style="list-style-type: none"> <li>1. Blade screw</li> <li>2. Downrod screw</li> <li>3. Unbalanced</li> </ol>	<ol style="list-style-type: none"> <li>13. Confirm Blade Screw Positions: Double-check the correct positioning of the blade screws. If necessary, reinstall them.</li> <li>14. Tighten Screws Above and Below the Downrod: Securely tighten the screws both above and below the downrod.</li> <li>15. Use Balancing Kit Accessory for Balance: If needed, use the provided balancing kit accessory to adjust the balance of the fan.</li> </ol>
Fan not moving	Main cables not connected	<ol style="list-style-type: none"> <li>16. Check Main and Sub Circuit Breakers or Fuse: Verify the status of the main and sub circuit breakers or fuses.</li> <li>17. Examine Line Wire Connections: Check the connections of the line wires to the fan and the switch house. Reconnect any motor-related wires and terminals as necessary.</li> <li>18. Ensure Remote Control Pairing: Confirm that the remote control is properly paired with the fan.</li> </ol>
Fan noisy	<ol style="list-style-type: none"> <li>1. Housing screw loose.</li> <li>2. Wire nut connections rattles against each other.</li> <li>3. Canopy touches the ceiling.</li> </ol>	<ol style="list-style-type: none"> <li>19. Tighten All Screws Securely: Ensure that all screws are tightened securely.</li> <li>20. Neatly Store Wire Nut Connections: Properly organize and store the wire nut connections.</li> <li>21. Check Canopy Position: Verify that the canopy is not touching or positioned too closely to the ceiling.</li> </ol>
Remote control not working	<ol style="list-style-type: none"> <li>1. Remote &amp; Receiver pairing out.</li> <li>2. Battery not installed.</li> <li>3. Battery weak.</li> </ol>	<ol style="list-style-type: none"> <li>22. Re-Pair Remote Control: With the fan's power on, press and hold the top OFF button on the remote control for 15 seconds to initiate the pairing process.</li> <li>23. Verify AAA Battery and Polarity: Ensure that the remote control's battery is of the AAA type and that it is installed with the correct polarity. Make sure the battery has a power level of more than 30%.</li> <li>24. Replace the Battery: If the remote control still does not work, replace the battery with a new one.</li> </ol>
Receiver	Not working	<ol style="list-style-type: none"> <li>25. Inspect Wires and Terminals: Examine the wires and terminals, and reconnect them. If the issue persists, please contact customer service for further assistance.</li> </ol>

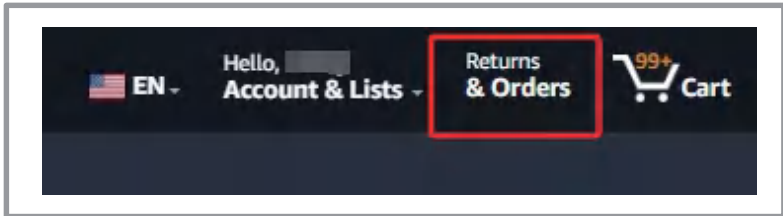
# TROUBLESHOOTING:

PROBLEM	REASON/PHENOMENON	POSSIBLE SOLUTION
Fan shaking	<ol style="list-style-type: none"> <li>1. Blade screw</li> <li>2. Downrod screw</li> <li>3. Unbalanced</li> </ol>	<ol style="list-style-type: none"> <li>13. Confirm Blade Screw Positions: Double-check the correct positioning of the blade screws. If necessary, reinstall them.</li> <li>14. Tighten Screws Above and Below the Downrod: Securely tighten the screws both above and below the downrod.</li> <li>15. Use Balancing Kit Accessory for Balance: If needed, use the provided balancing kit accessory to adjust the balance of the fan.</li> </ol>
Fan not moving	Main cables not connected	<ol style="list-style-type: none"> <li>16. Check Main and Sub Circuit Breakers or Fuse: Verify the status of the main and sub circuit breakers or fuses.</li> <li>17. Examine Line Wire Connections: Check the connections of the line wires to the fan and the switch house. Reconnect any motor-related wires and terminals as necessary.</li> <li>18. Ensure Remote Control Pairing: Confirm that the remote control is properly paired with the fan.</li> </ol>
Fan noisy	<ol style="list-style-type: none"> <li>1. Housing screw loose.</li> <li>2. Wire nut connections rattles against each other.</li> <li>3. Canopy touches the ceiling.</li> </ol>	<ol style="list-style-type: none"> <li>19. Tighten All Screws Securely: Ensure that all screws are tightened securely.</li> <li>20. Neatly Store Wire Nut Connections: Properly organize and store the wire nut connections.</li> <li>21. Check Canopy Position: Verify that the canopy is not touching or positioned too closely to the ceiling.</li> </ol>
Remote control not working	<ol style="list-style-type: none"> <li>1. Remote &amp; Receiver pairing out.</li> <li>2. Battery not installed.</li> <li>3. Battery weak.</li> </ol>	<ol style="list-style-type: none"> <li>22. Re-Pair Remote Control: With the fan's power on, press and hold the top OFF button on the remote control for 15 seconds to initiate the pairing process.</li> <li>23. Verify AAA Battery and Polarity: Ensure that the remote control's battery is of the AAA type and that it is installed with the correct polarity. Make sure the battery has a power level of more than 30%.</li> <li>24. Replace the Battery: If the remote control still does not work, replace the battery with a new one.</li> </ol>
Receiver	Not working	<ol style="list-style-type: none"> <li>25. Inspect Wires and Terminals: Examine the wires and terminals, and reconnect them. If the issue persists, please contact customer service for further assistance.</li> </ol>

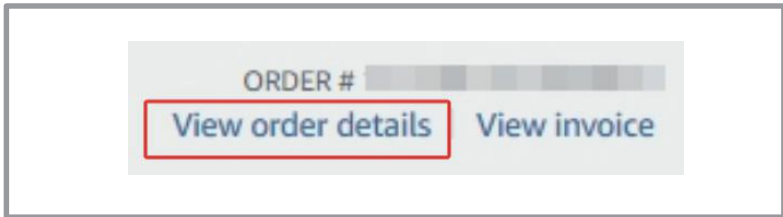
# CONTACT US

---

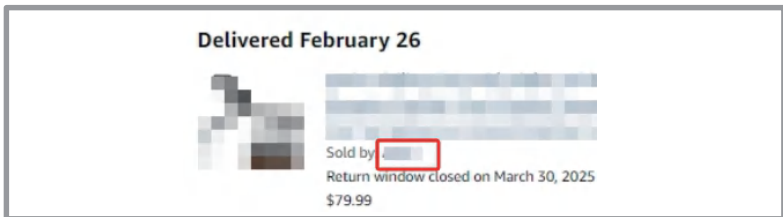
Feel free to reach out to our Customer Support via Amazon orders for any issues, or you can send inquiry to our official email address:  
**anna-co@foxmail.com**



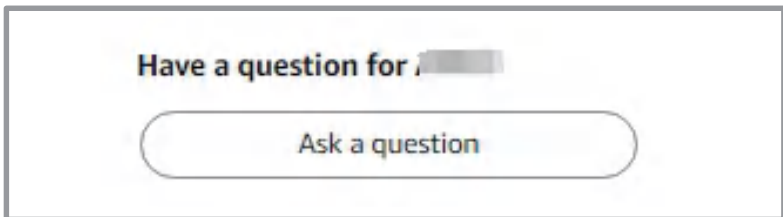
Step 1: Log into your Amazon.com account, click “**Returns&Orders**” on the top-right corner.



Step 2: Find your order in the list and click “**View order details**”.



Step 3: Click the “**Store Name**” following the Sold by, below the product title.



Step 4: Click the button “**Ask a question**”, on the top-right corner, to contact the seller.