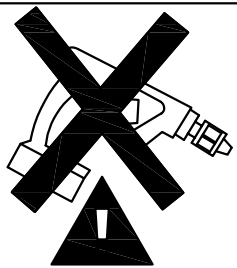
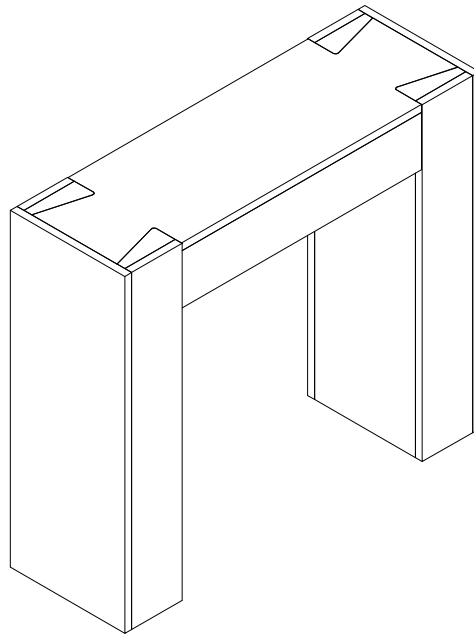
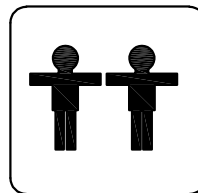


ASSEMBLY INSTRUCTION

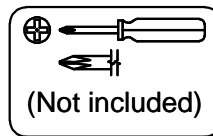
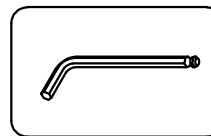
Console Table 910mm



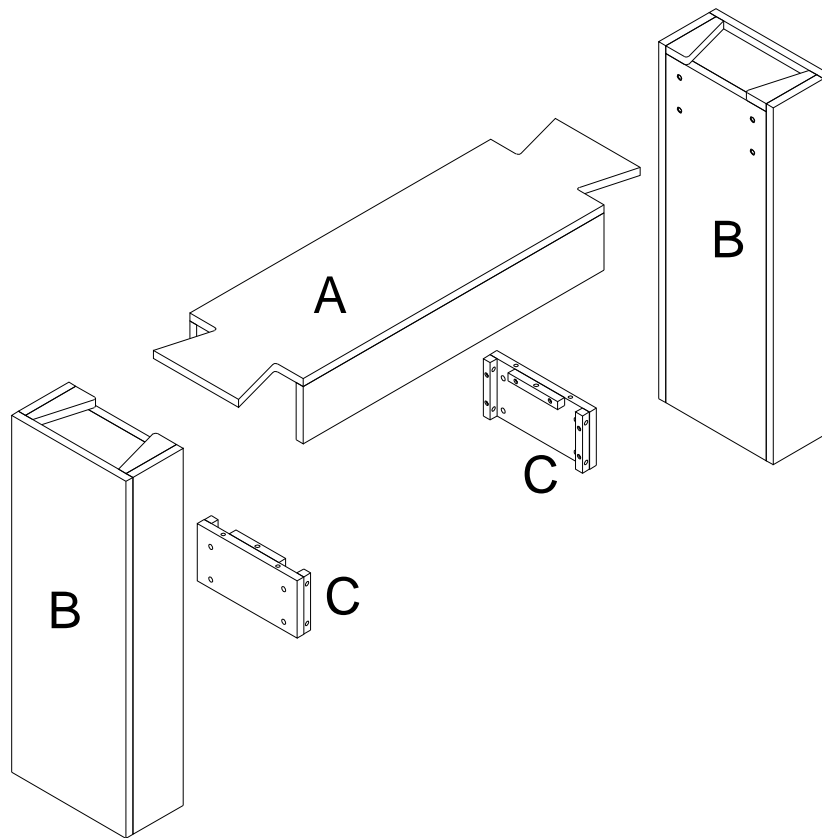
- . Use of power tool to assemble this product will invalidate any claim and damage this product making it unsafe !!!
- . Please assemble on a clean soft surface to avoid damage.



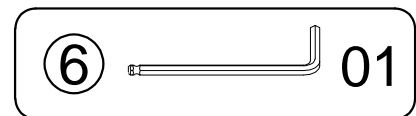
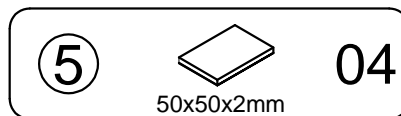
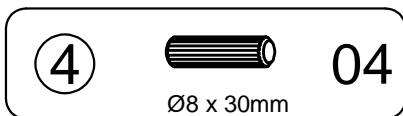
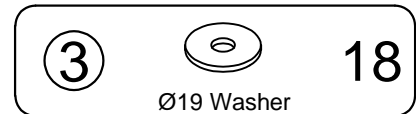
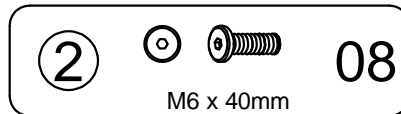
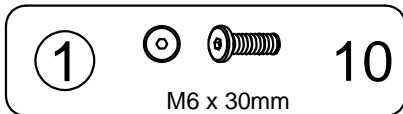
Tools Required



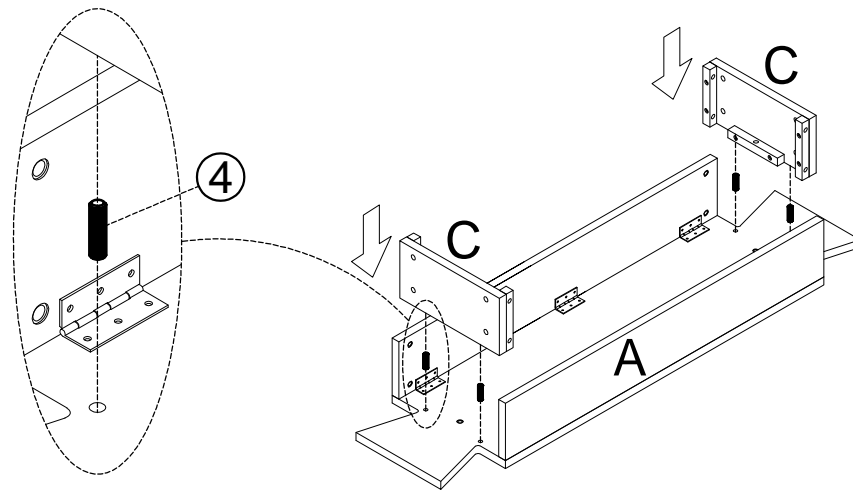
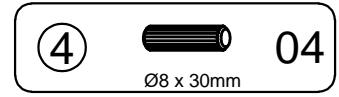
Part list - Console Table 910mm



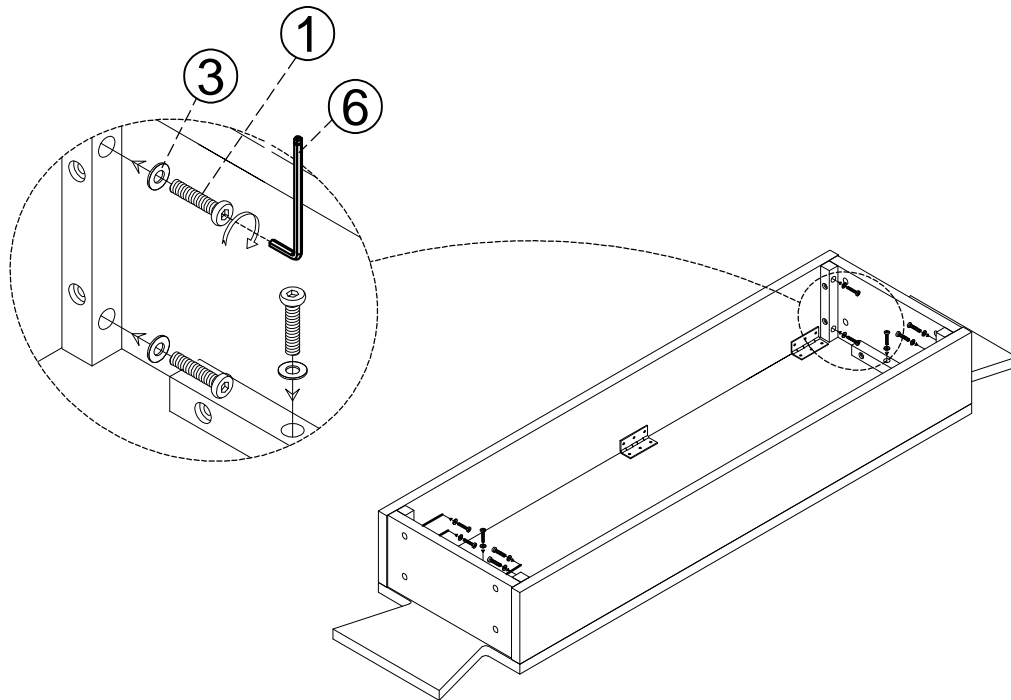
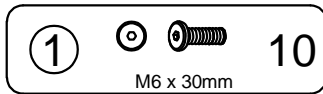
Identifying the hardware-*Identify the hardware using the illustrations below*



STEP 1



STEP 2



STEP 3

