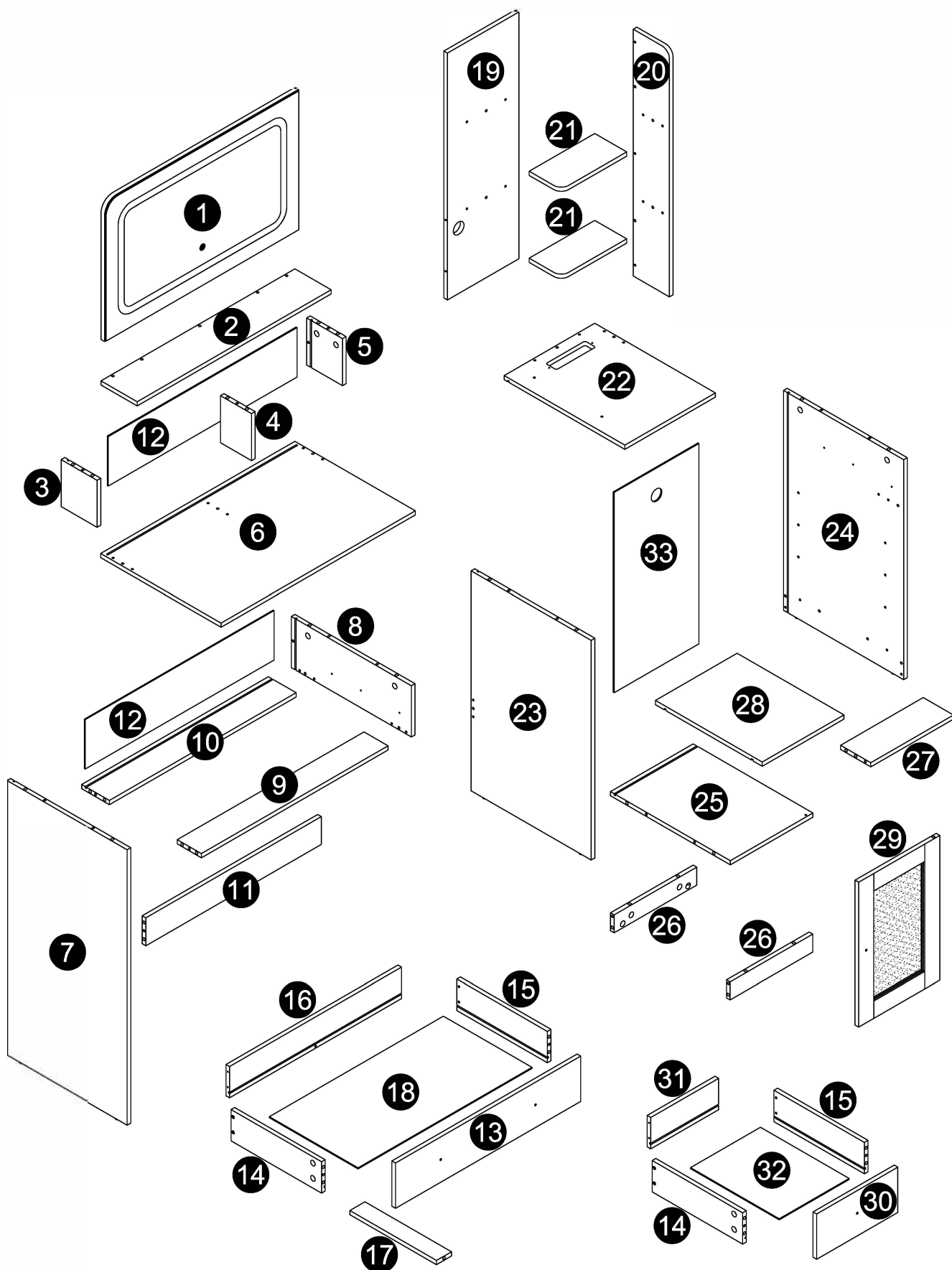
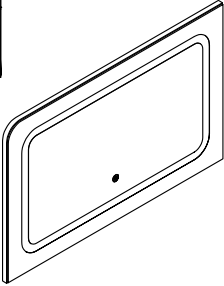
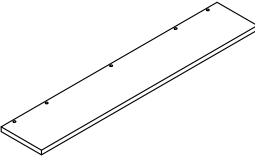
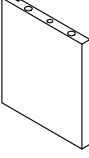
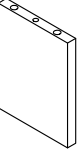
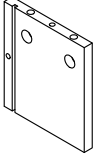
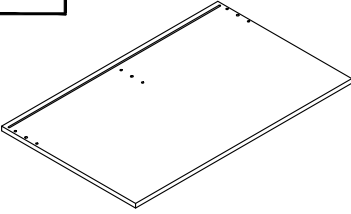
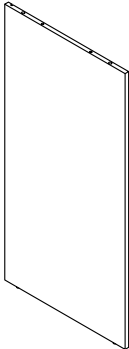
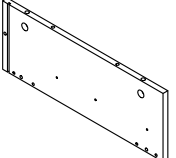
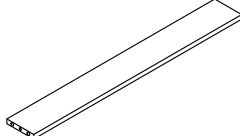
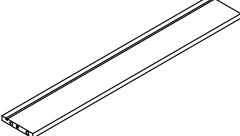
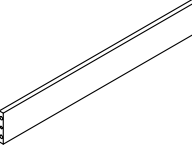
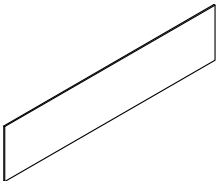
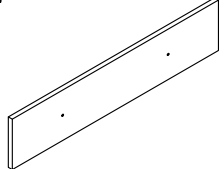
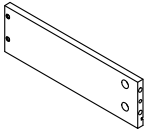
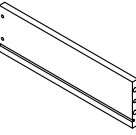
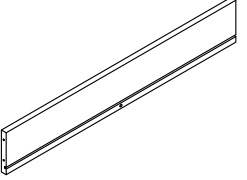
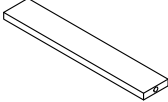
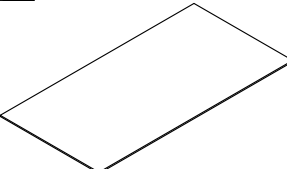




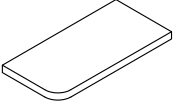
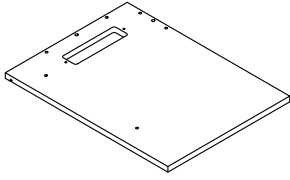
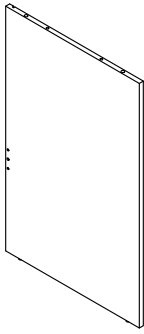
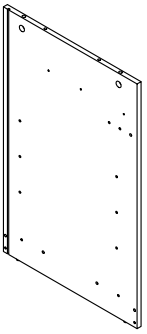
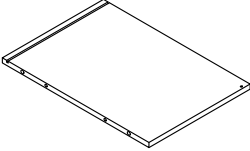
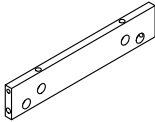
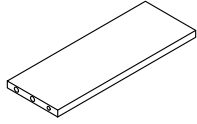
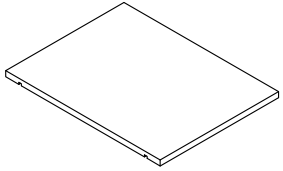
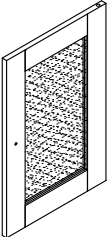
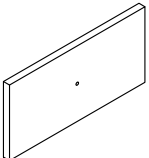
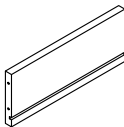
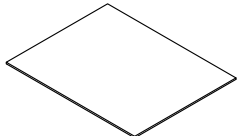

# Disassembly Diagram



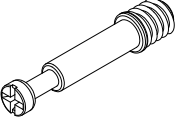


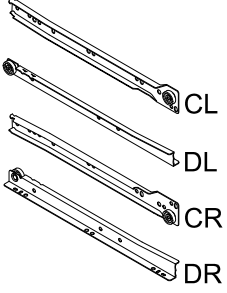


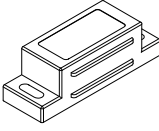
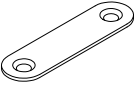
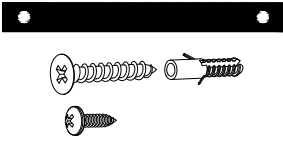
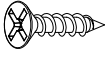
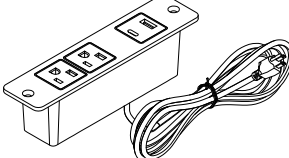
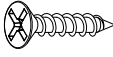
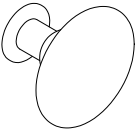
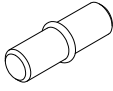
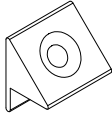
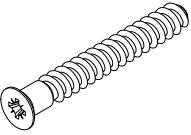
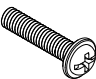
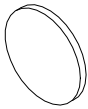
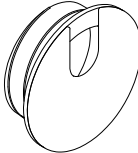
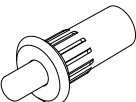
# Accessories

<b>1</b> x1 	<b>2</b> x1 	<b>3</b> x1 	<b>4</b> x1 
<b>5</b> x1 	<b>6</b> x1 	<b>7</b> x1 	<b>8</b> x1 
<b>9</b> x1 	<b>10</b> x1 	<b>11</b> x1 	<b>12</b> x2 
<b>13</b> x1 	<b>14</b> x2 	<b>15</b> x2 	<b>16</b> x1 
<b>17</b> x1 	<b>18</b> x1 	<b>19</b> x1 	<b>20</b> x1 

# Accessories

<p>21 x2</p> 	<p>22 x1</p> 	<p>23 x1</p> 	<p>24 x1</p> 
<p>25 x1</p> 	<p>26 x2</p> 	<p>27 x1</p> 	<p>28 x1</p> 
<p>29 x1</p> 	<p>30 x1</p> 	<p>31 x1</p> 	<p>32 x1</p> 
<p>33 x1</p> 			

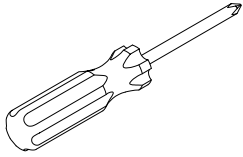
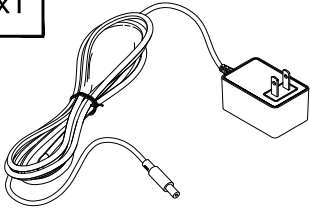
# Accessories

<p><b>A</b> x58 +3</p>  <p>6x35mm</p>	<p><b>B</b> x58 +3</p>  <p>Ø15x9mm</p>	<p><b>C</b> x44 +3</p>  <p>6x30mm</p>	<p><b>D</b> x2</p>  <p>L=300mm</p>
<p><b>E</b> x9 +2</p>  <p>4x40mm</p>	<p><b>F</b> x34 +4</p>  <p>3x12mm</p>	<p><b>G</b> x1</p> 	<p><b>H</b> x5 +1</p> 
<p><b>I</b> x2</p> 	<p><b>J</b> x2 +1</p>  <p>3.5x12mm</p>	<p><b>K</b> x1</p> 	<p><b>L</b> x14 +4</p>  <p>3x14mm</p>
<p><b>M</b> x4</p> 	<p><b>N</b> x4 +2</p> 	<p><b>O</b> x12 +4</p> 	<p><b>P</b> x21 +2</p> 
<p><b>Q</b> x4 +1</p>  <p>M4x16mm</p>	<p><b>R</b> x17 +3</p> 	<p><b>S</b> x1</p> 	<p><b>T</b> x2</p> 

# Accessories

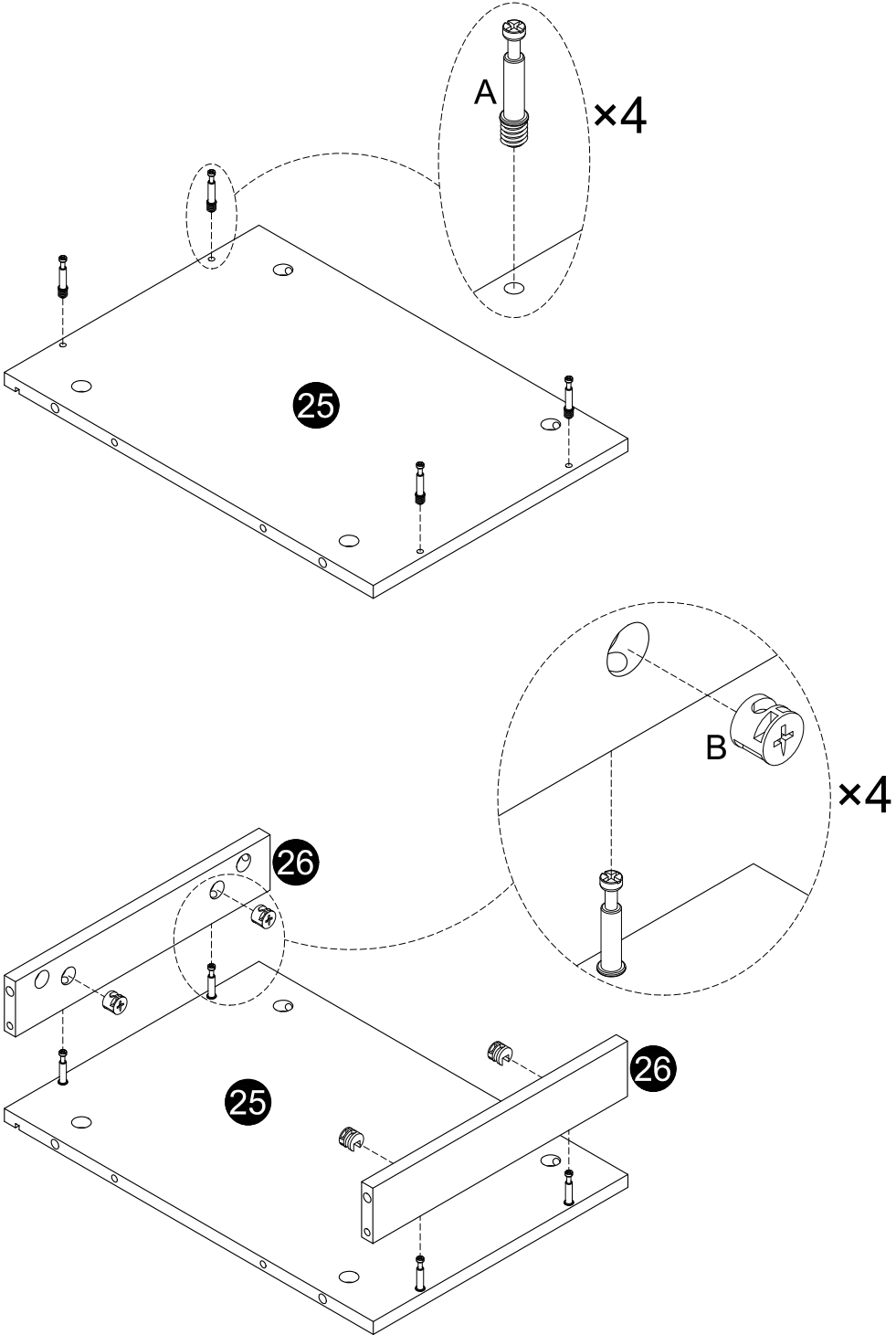


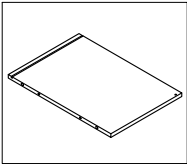
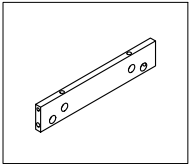
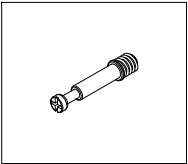
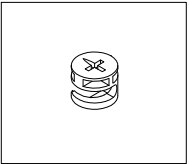
x1



# Assembly Instructions

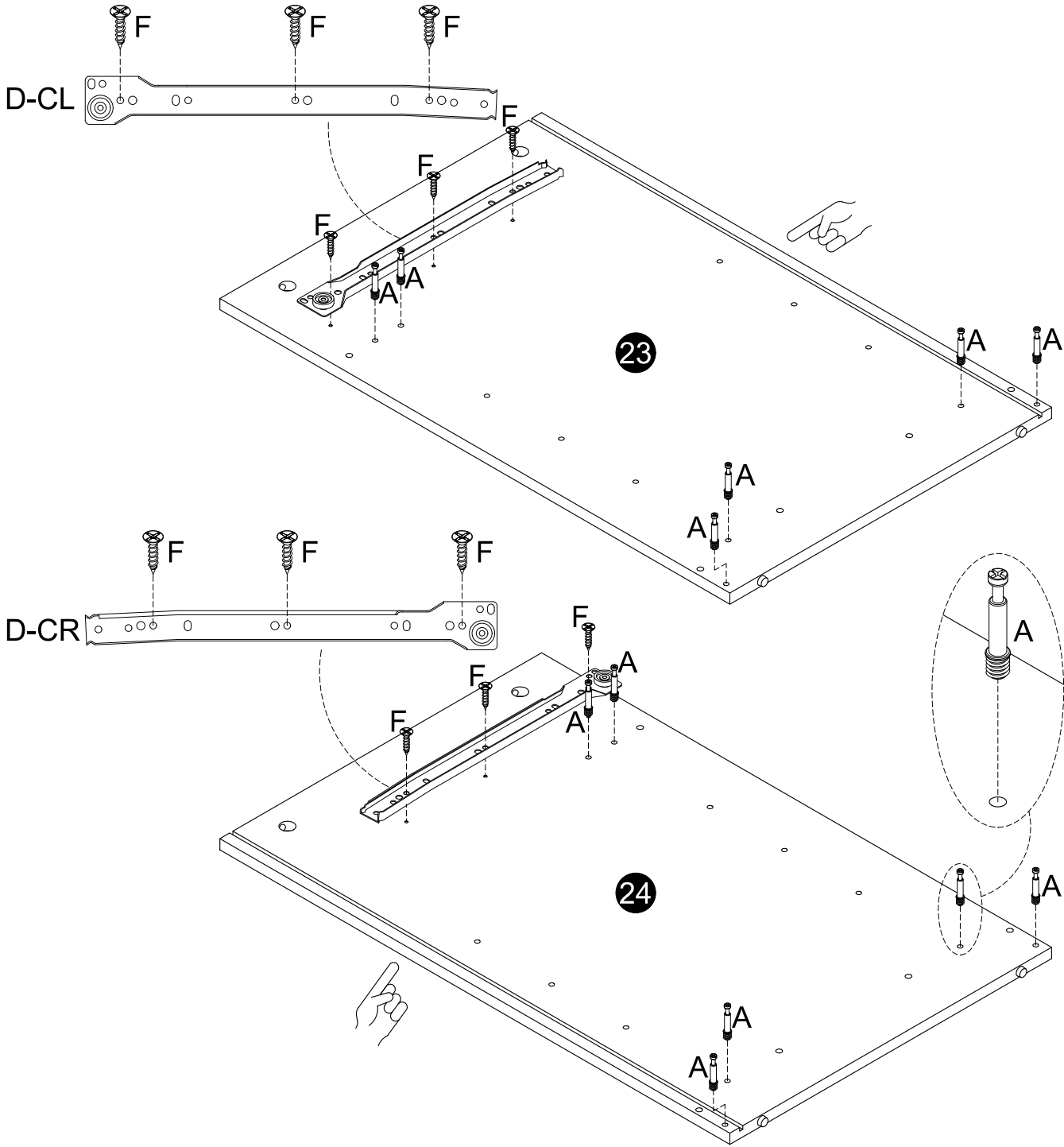
Step1:



			
<b>25</b> 1PC	<b>26</b> 2PCS	<b>A</b> 4PCS	<b>B</b> 4PCS

# Assembly Instructions

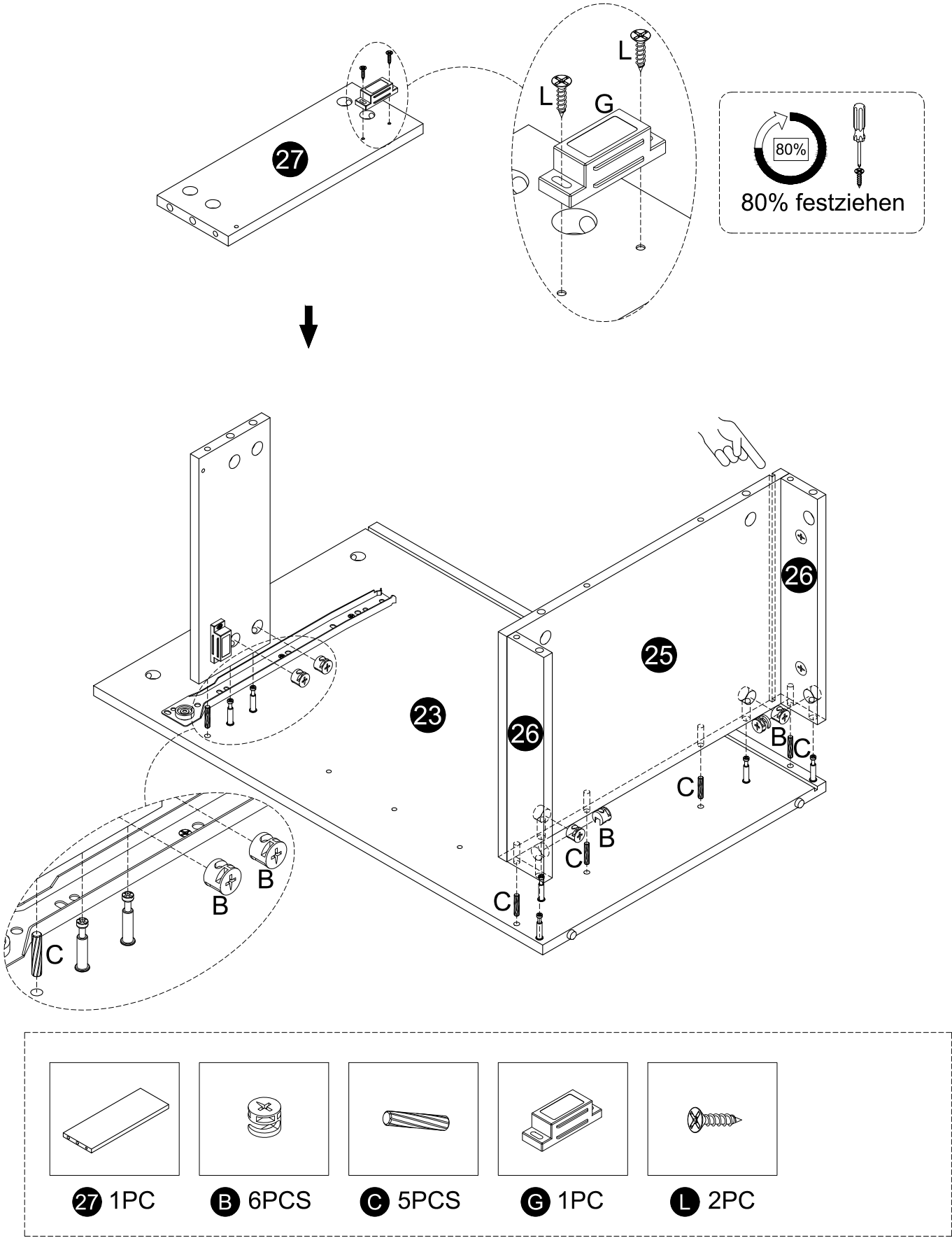
Step2:



23 1PC	24 1PC	A 12PCS	D 1PC	D 1PC	F 6PCS

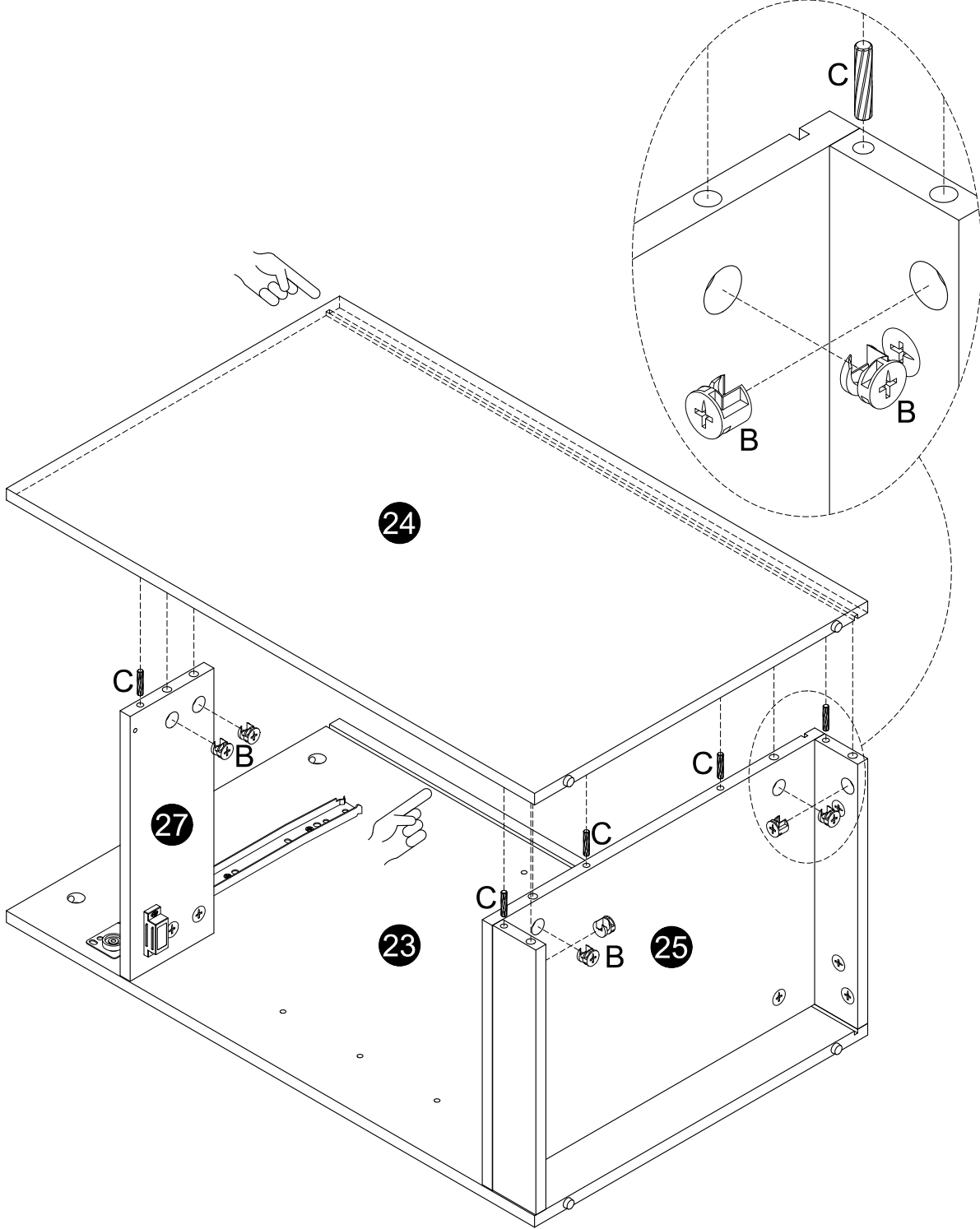
# Assembly Instructions

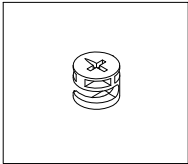
Step3:



# Assembly Instructions

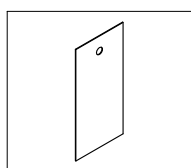
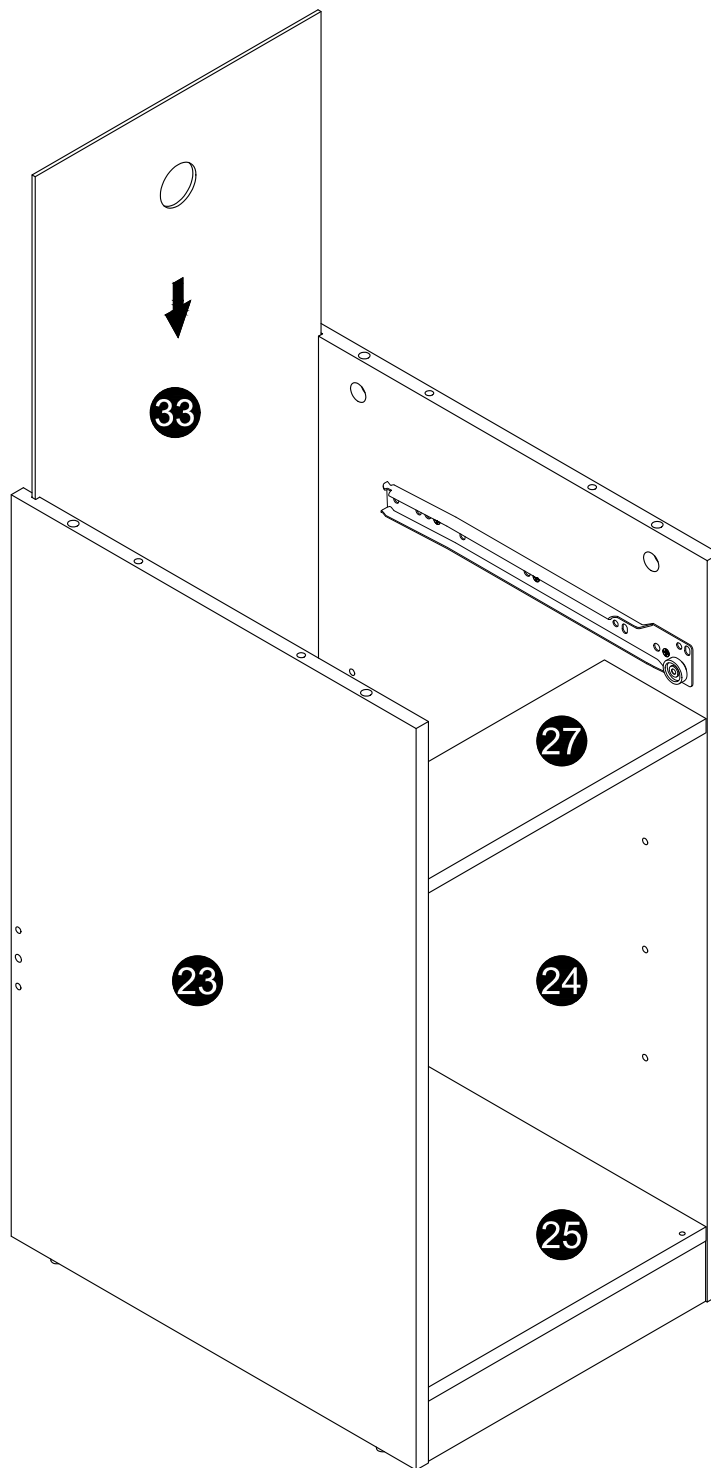
Step4:



	
<b>B</b> 6PCS	<b>C</b> 5PCS

# Assembly Instructions

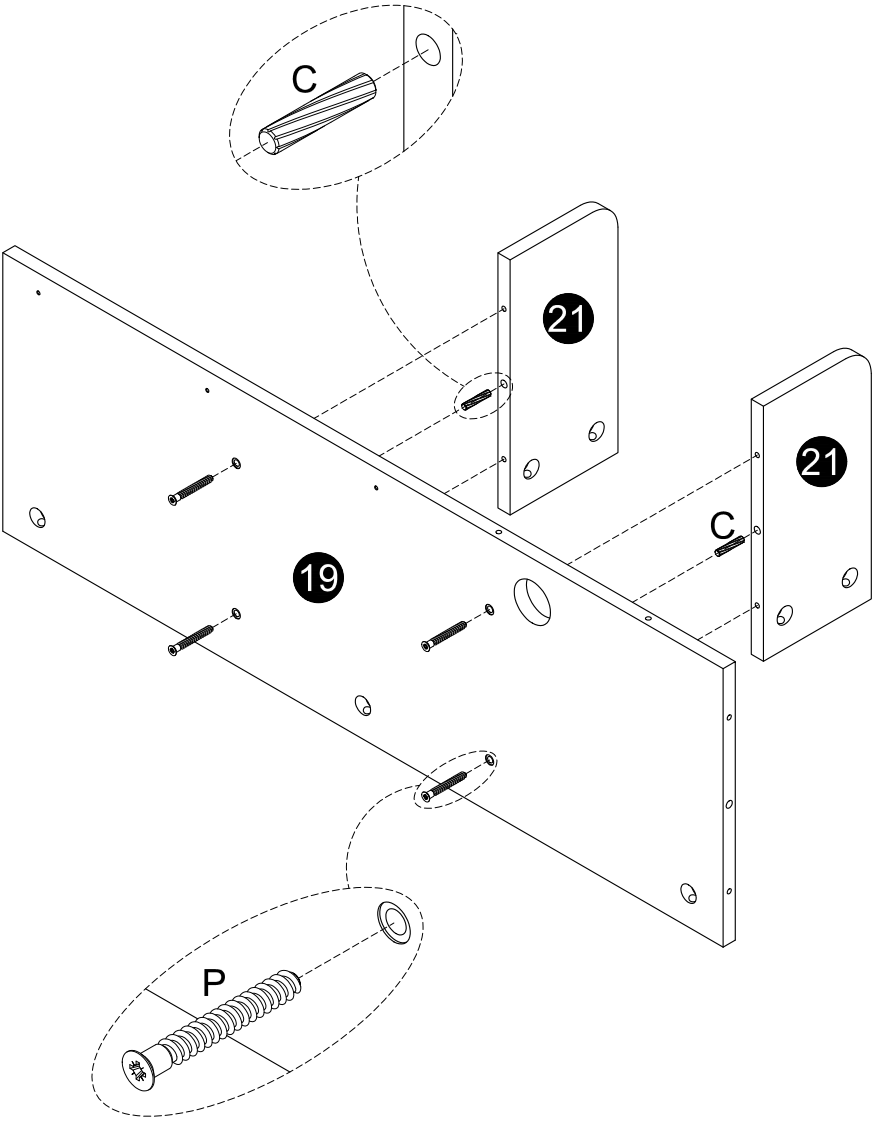
Step5:

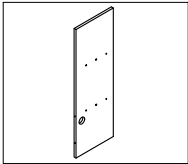
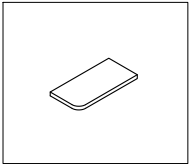
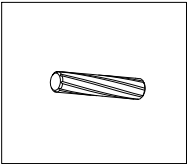
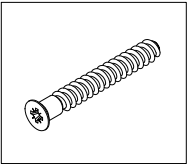


**33** 1PC

# Assembly Instructions

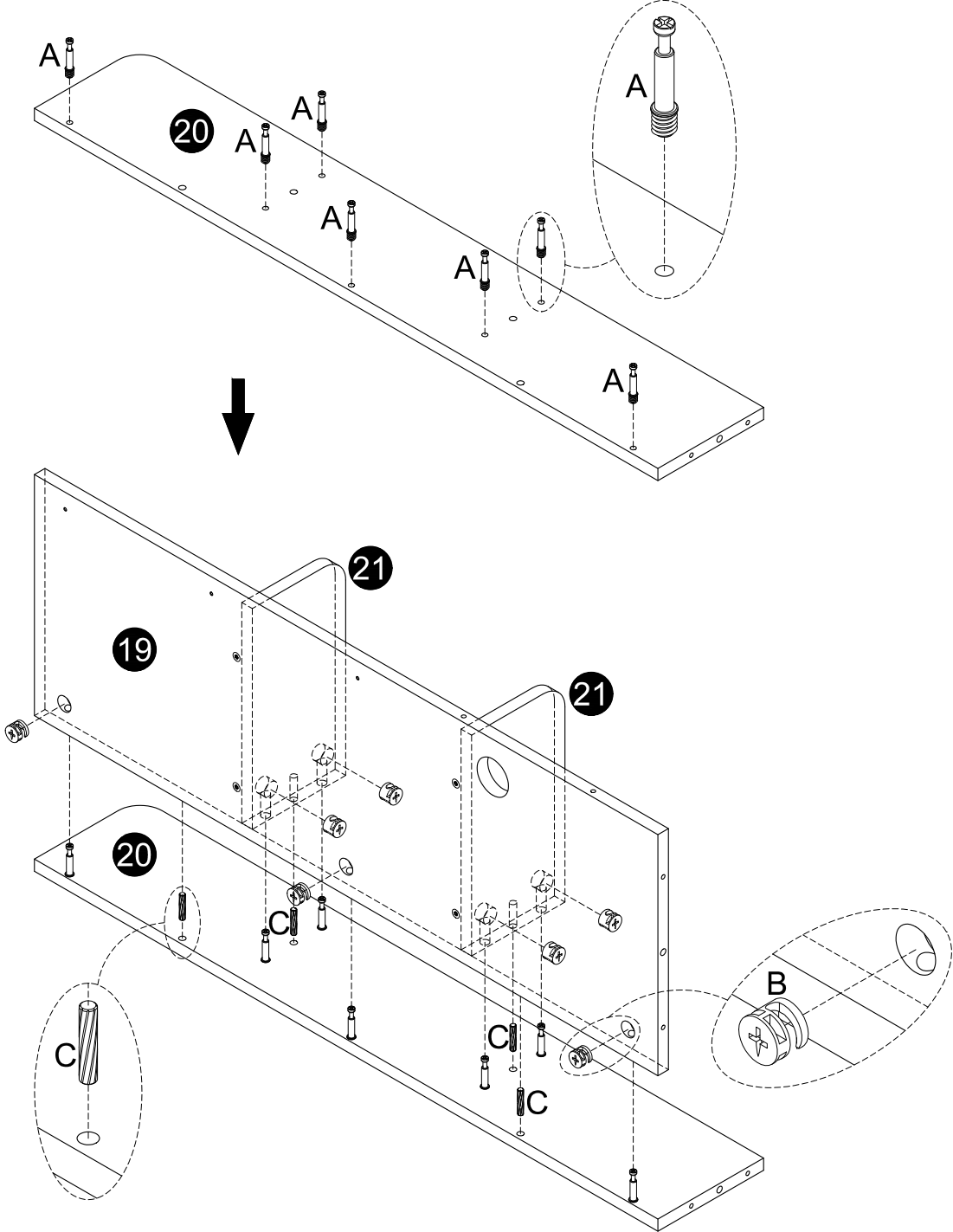
Step6:



			
<b>19</b> 1PC	<b>21</b> 2PC	<b>C</b> 2PC	<b>P</b> 4PCS

# Assembly Instructions

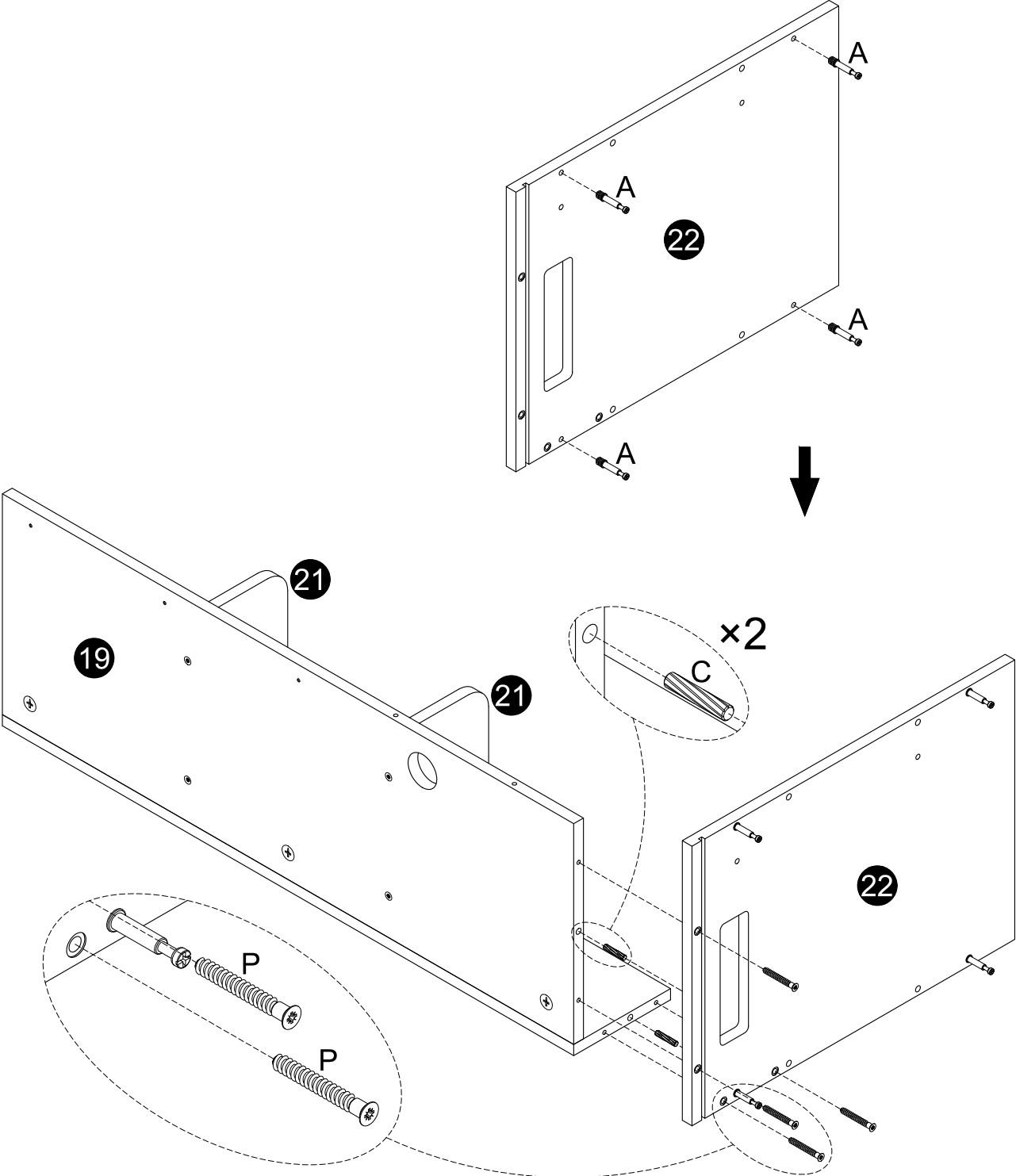
Step7:

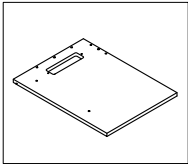
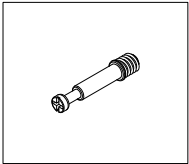
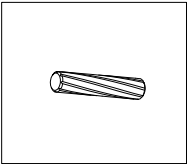
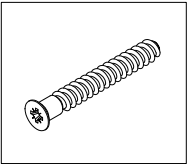


- |               |               |               |               |
|---------------|---------------|---------------|---------------|
|               |               |               |               |
| <b>20</b> 1PC | <b>A</b> 7PCS | <b>B</b> 7PCS | <b>C</b> 4PCS |

# Assembly Instructions

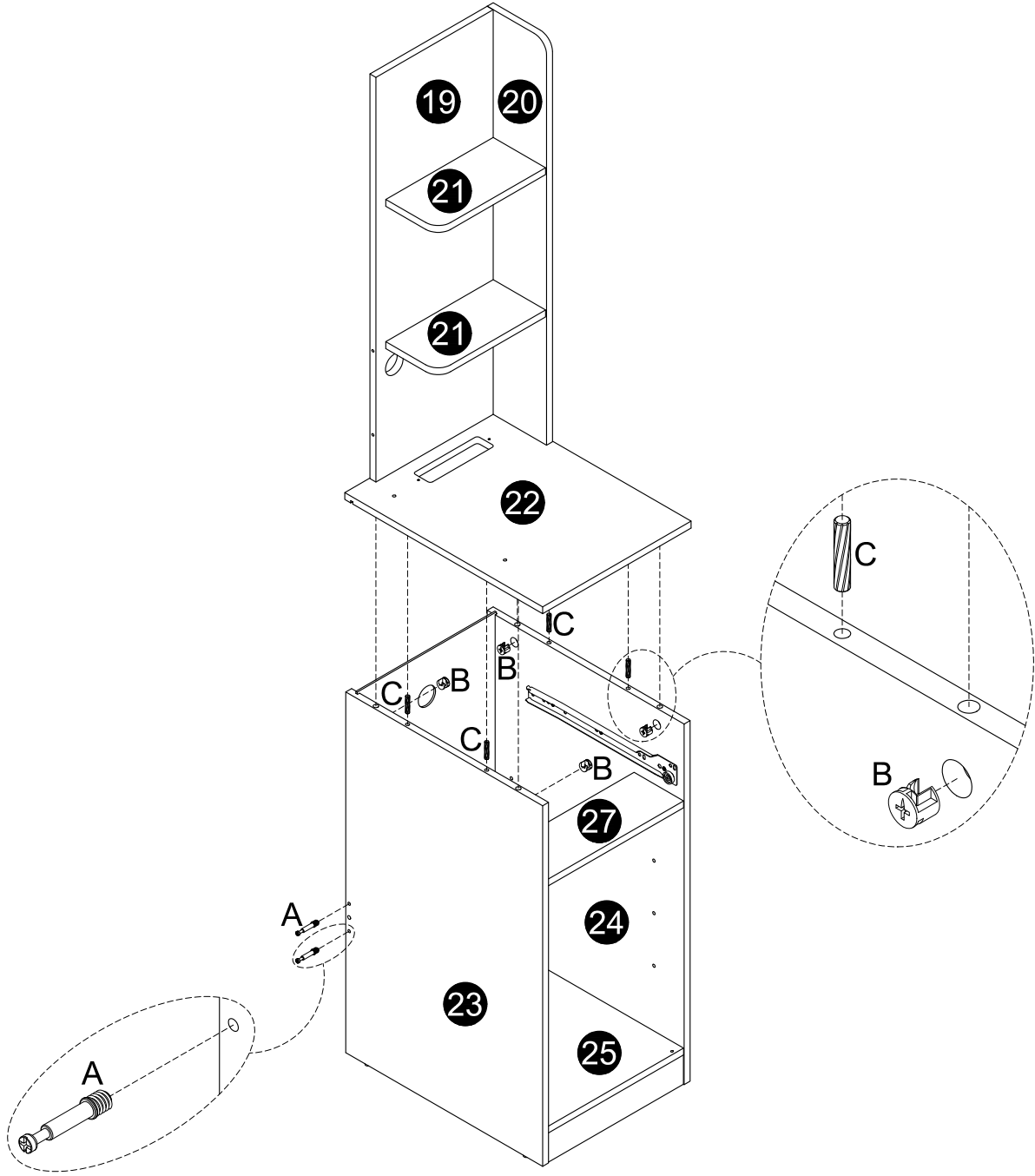
Step 8:

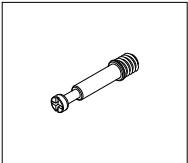
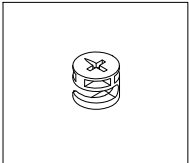
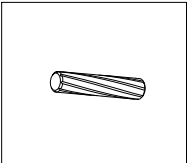


			
<b>22</b> 1PC	<b>A</b> 4PC	<b>C</b> 2PC	<b>P</b> 4PC

# Assembly Instructions

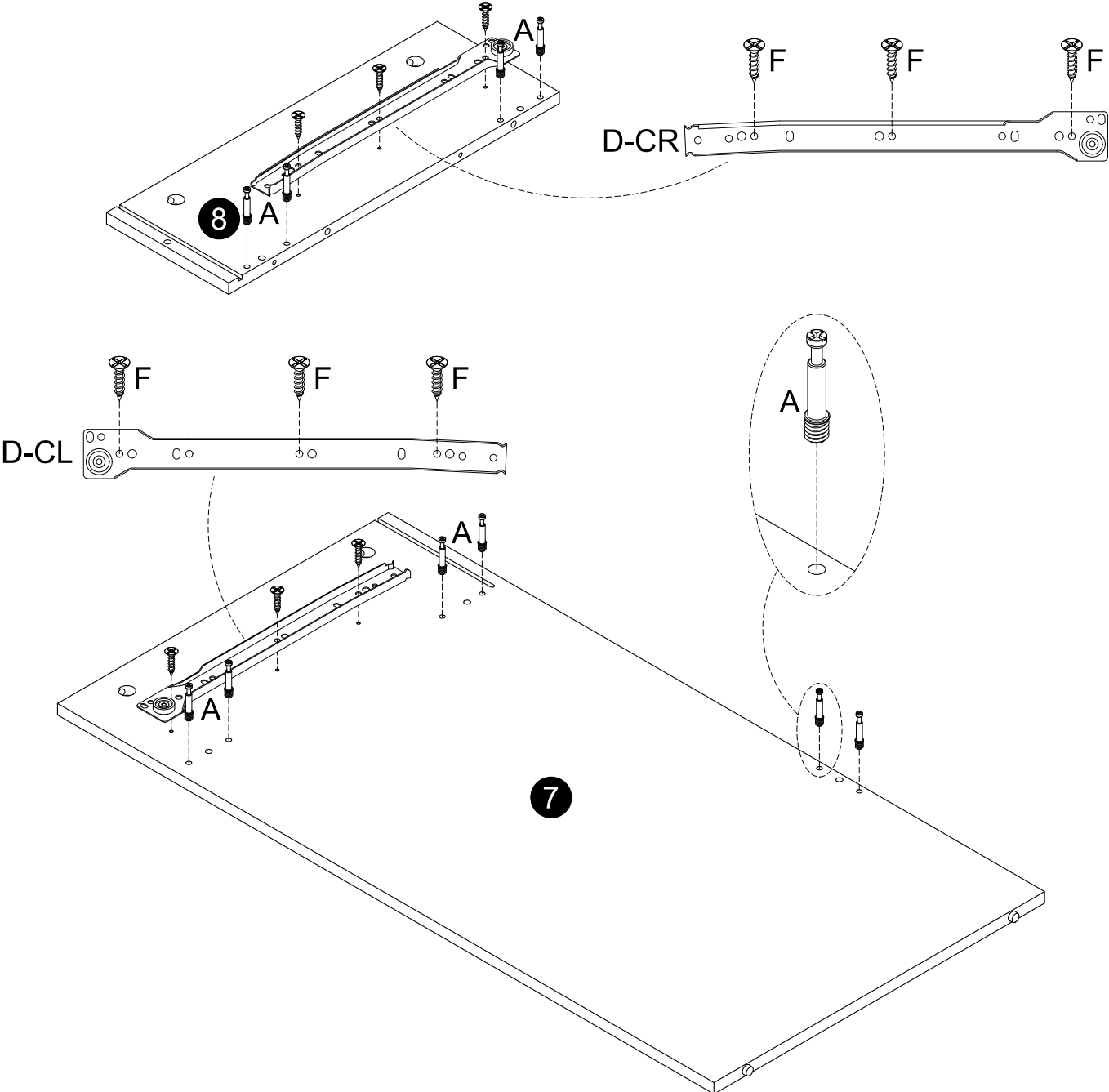
Step9:



		
<b>A</b> 2PC	<b>B</b> 4PCS	<b>C</b> 4PCS

# Assembly Instructions

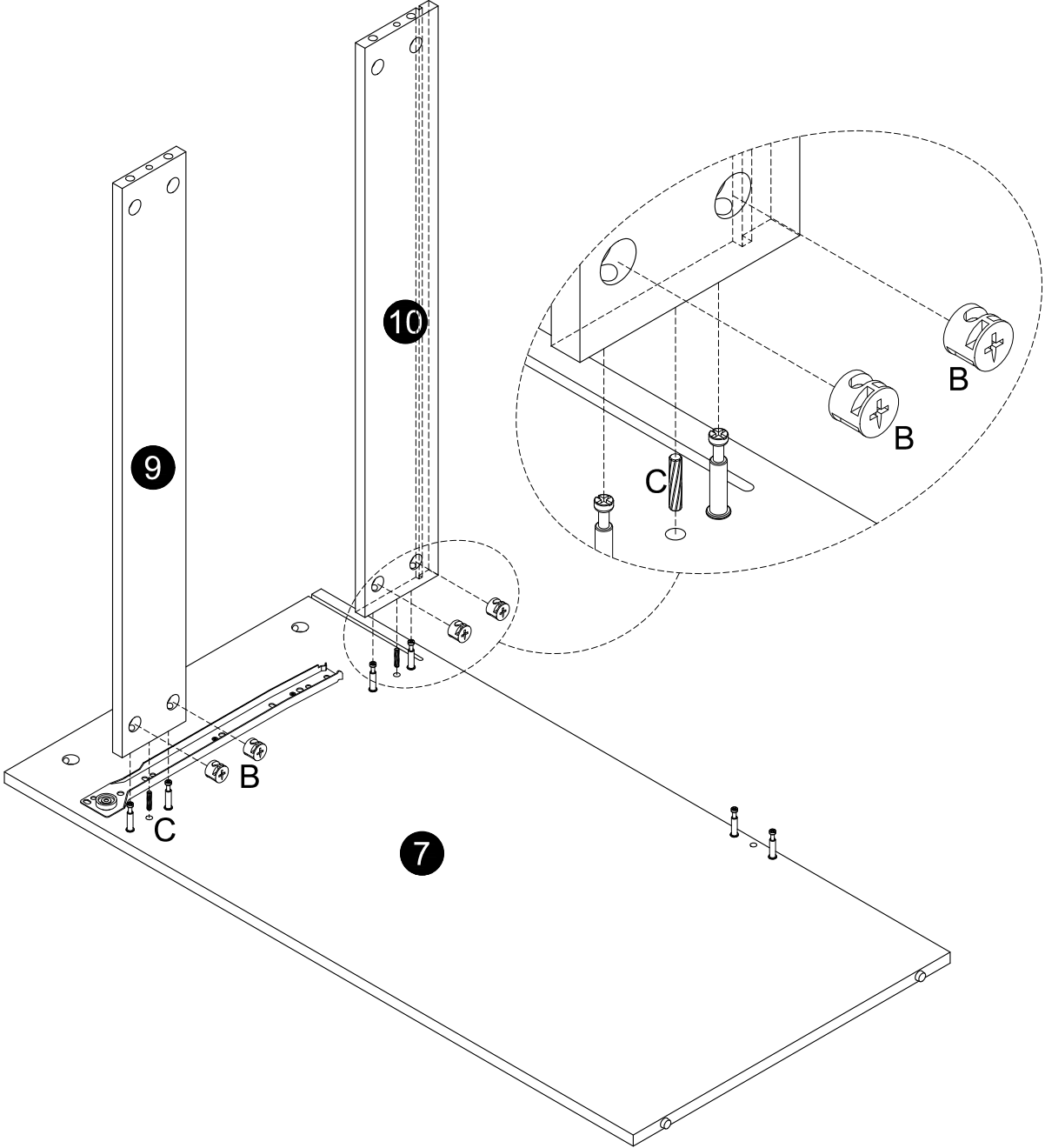
Step10:



- |              |              |                |                 |                 |               |
|--------------|--------------|----------------|-----------------|-----------------|---------------|
|              |              |                |                 |                 |               |
| <b>7</b> 1PC | <b>8</b> 1PC | <b>A</b> 10PCS | <b>D-CL</b> 1PC | <b>D-CR</b> 1PC | <b>F</b> 6PCS |

# Assembly Instructions

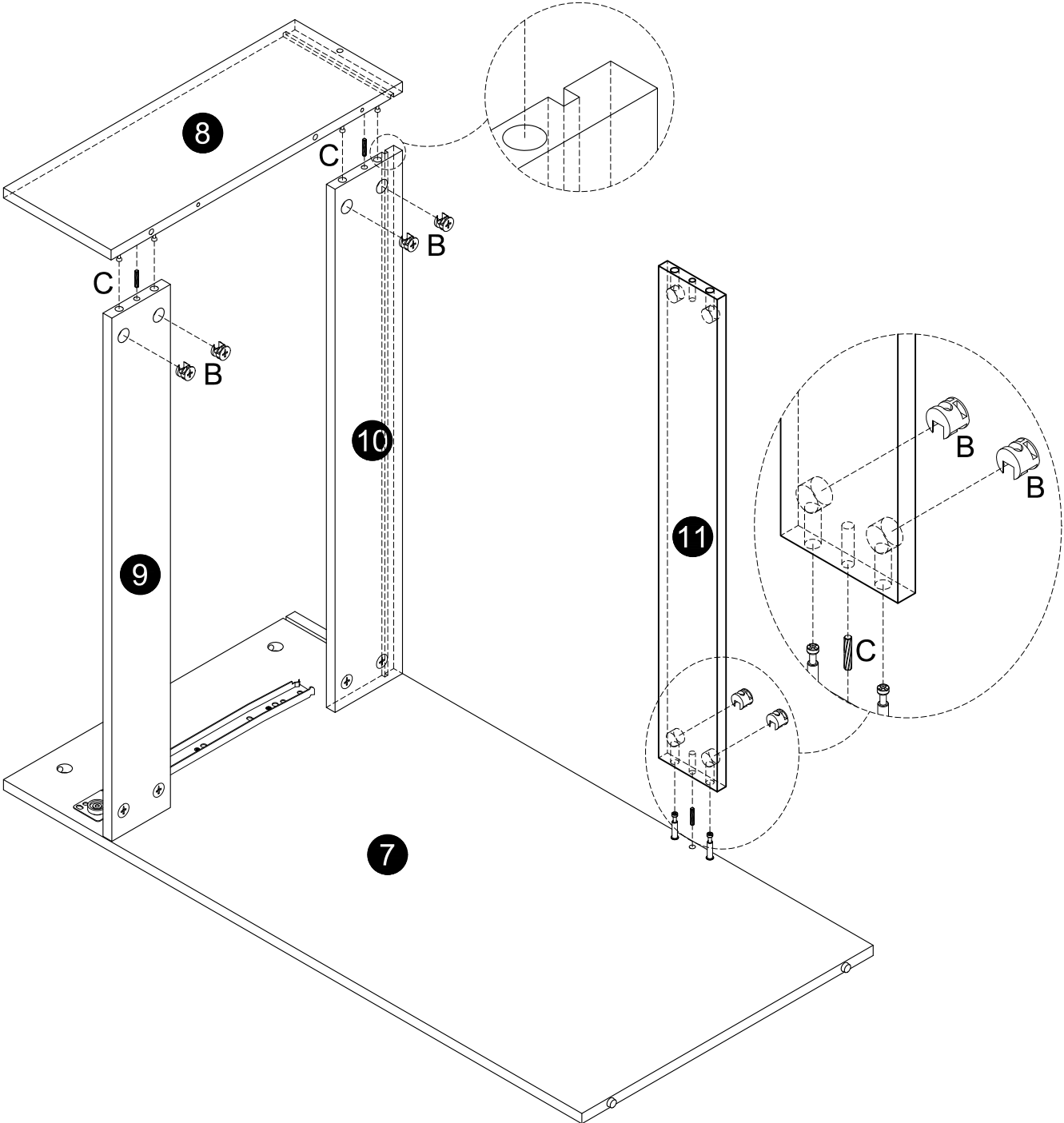
Step11:

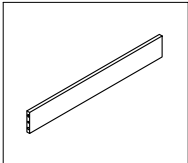
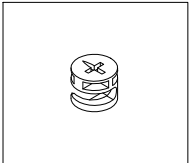
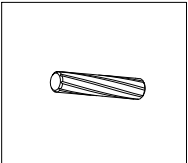


<b>9</b> 1PC	<b>10</b> 1PC	<b>B</b> 4PCS	<b>C</b> 2PC

# Assembly Instructions

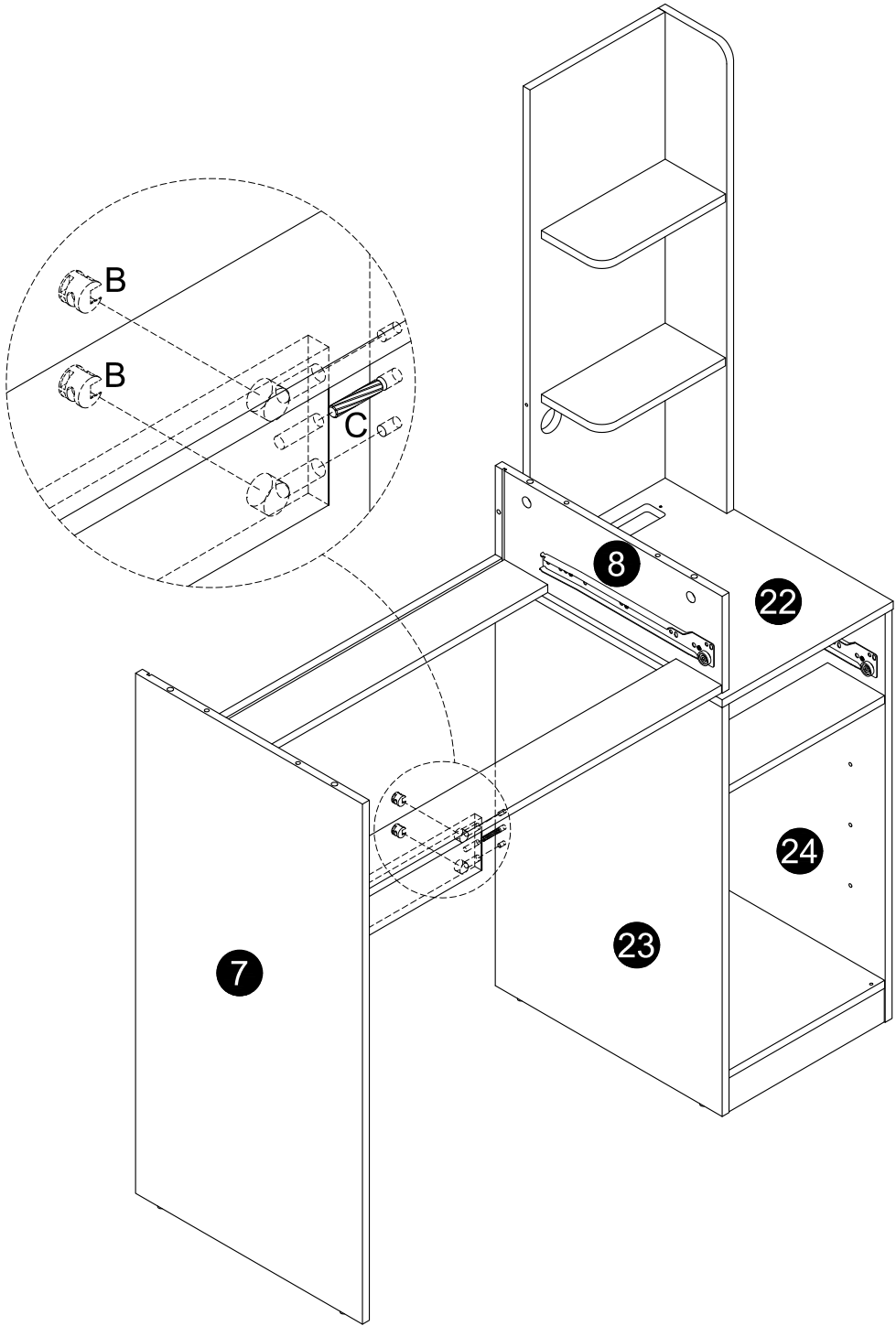
Step12:

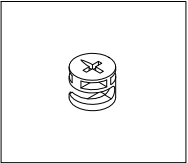


		
<b>11</b> 1PC	<b>B</b> 6PCS	<b>C</b> 3PCS

# Assembly Instructions

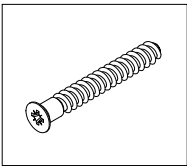
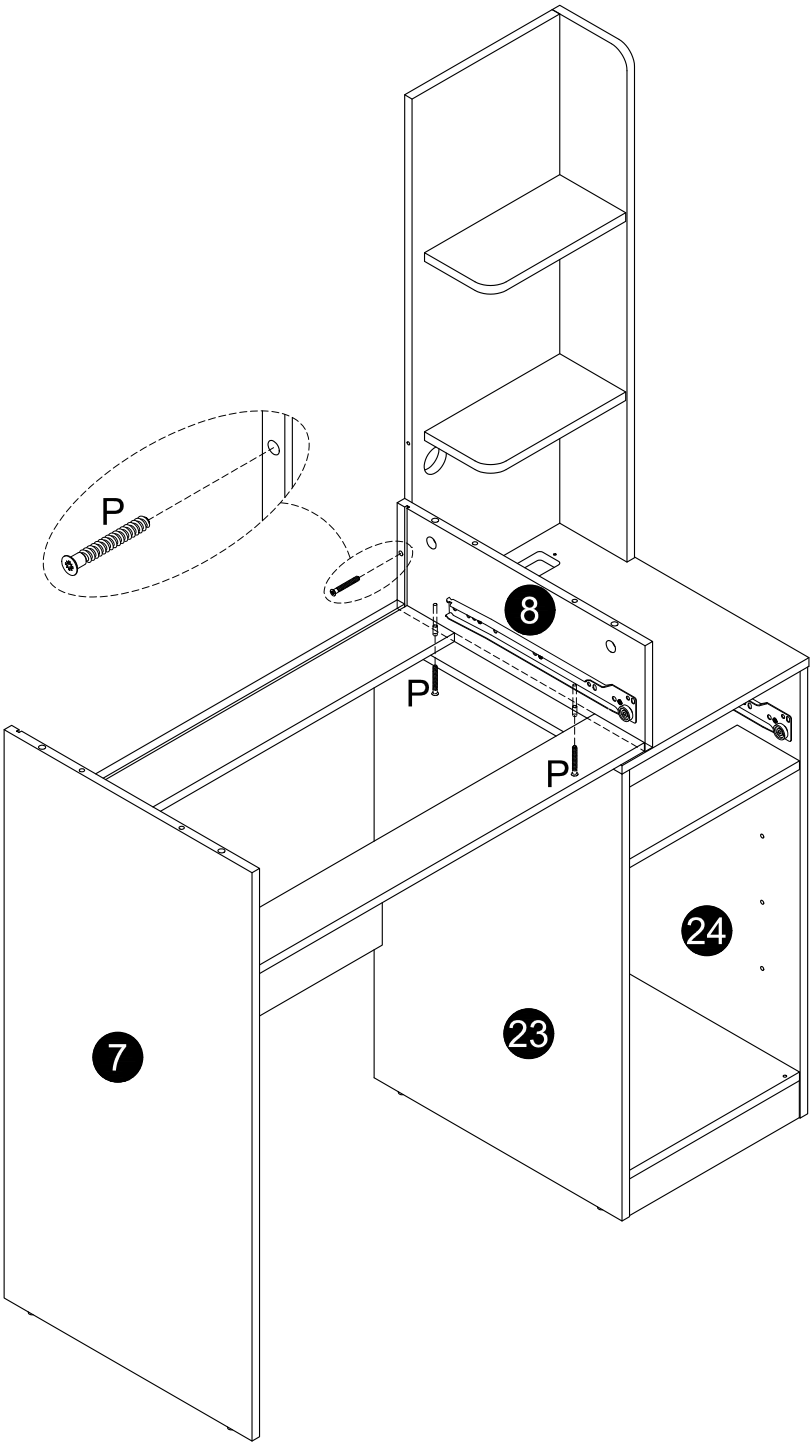
Step13:



	
<b>B</b> 2PC	<b>C</b> 1PC

# Assembly Instructions

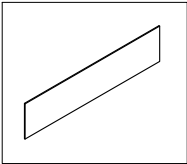
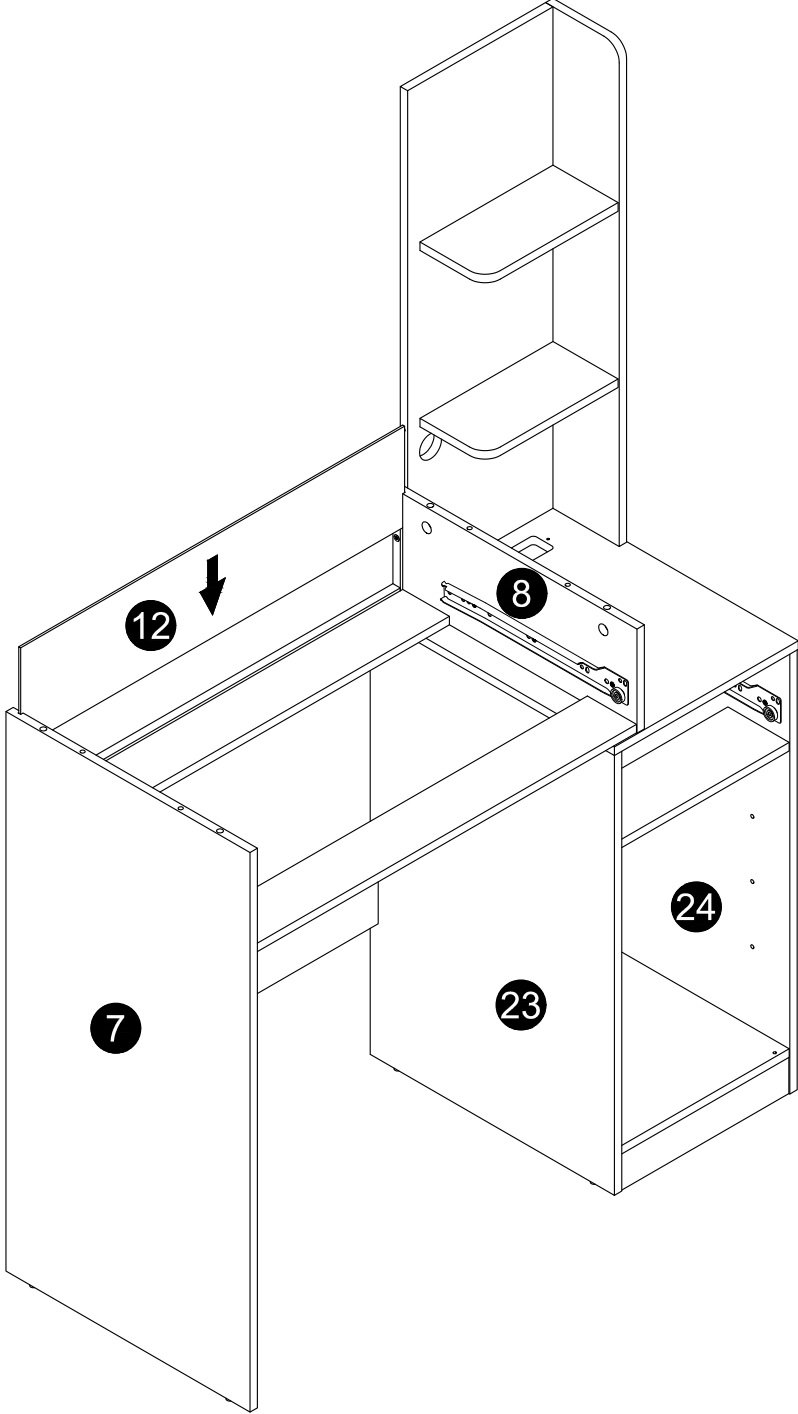
Step14:



**P** 3PCS

# Assembly Instructions

Step15:

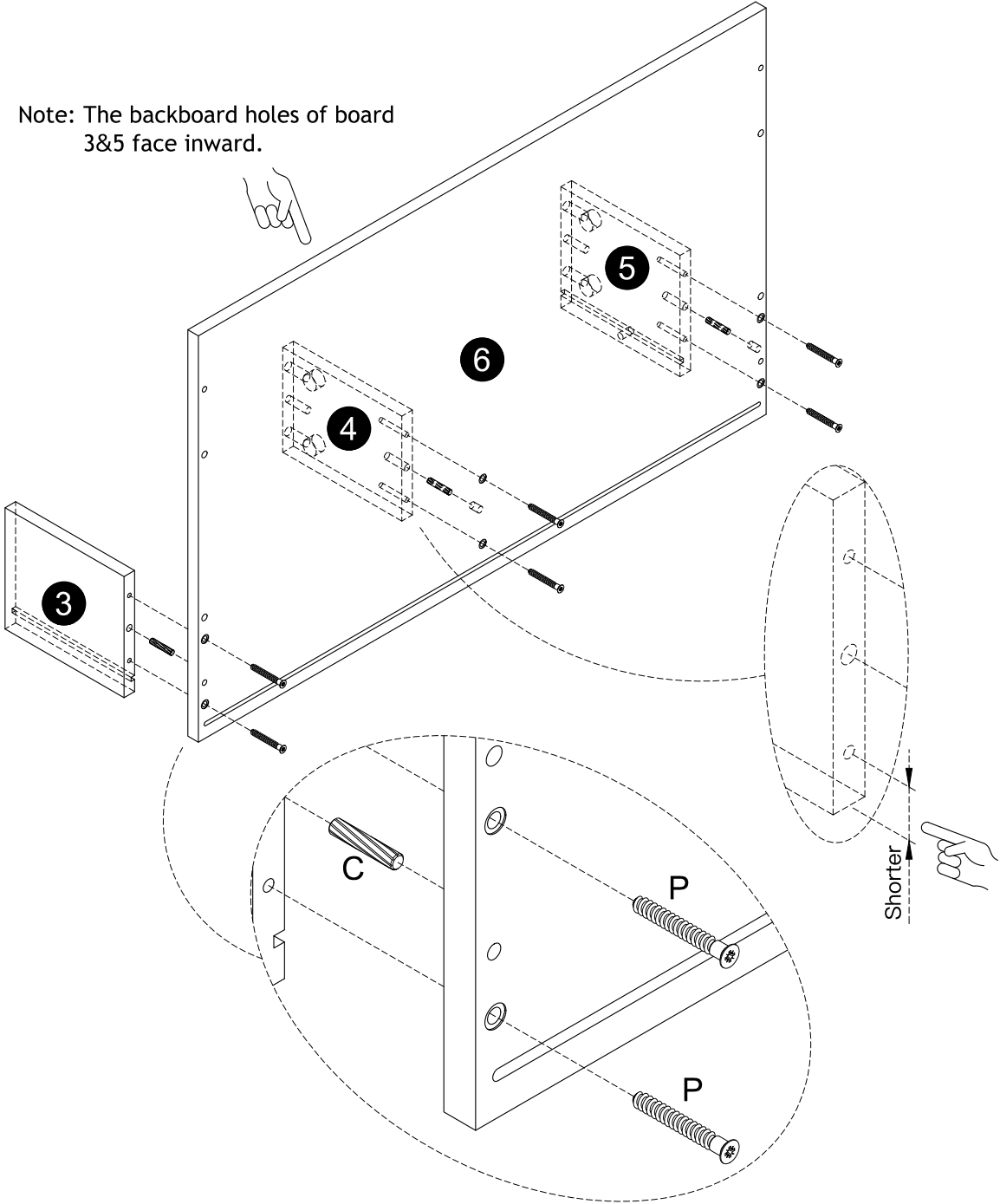


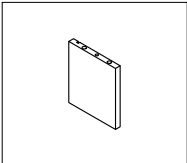
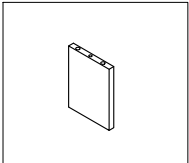
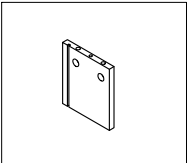
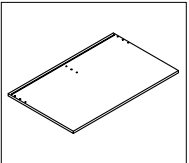
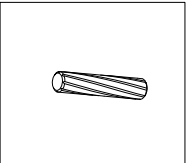
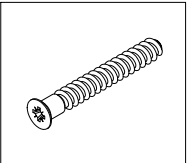
12 1PC

# Assembly Instructions

## Step16:

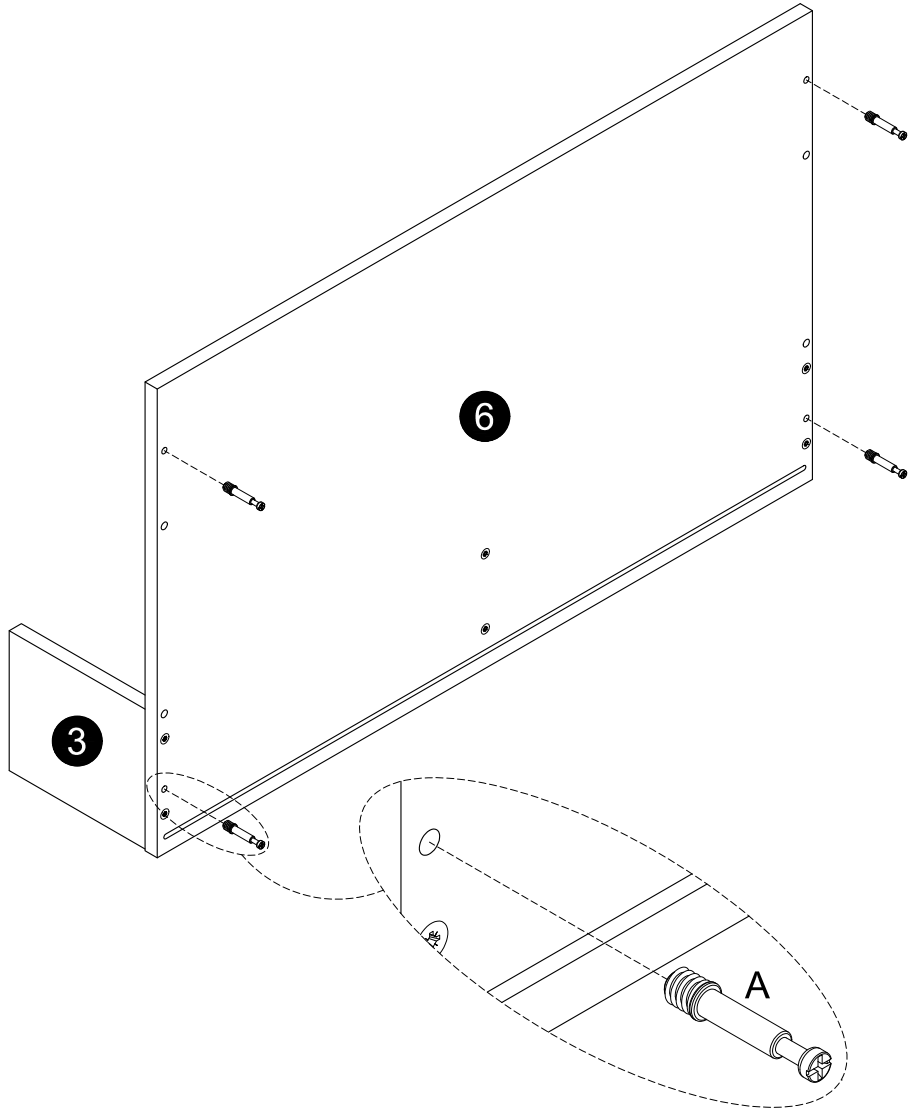
Note: The backboard holes of board 3&5 face inward.



					
<b>3</b> 1PC	<b>4</b> 1PC	<b>5</b> 1PC	<b>6</b> 1PC	<b>C</b> 3PCS	<b>P</b> 6PCS

# Assembly Instructions

Step17:

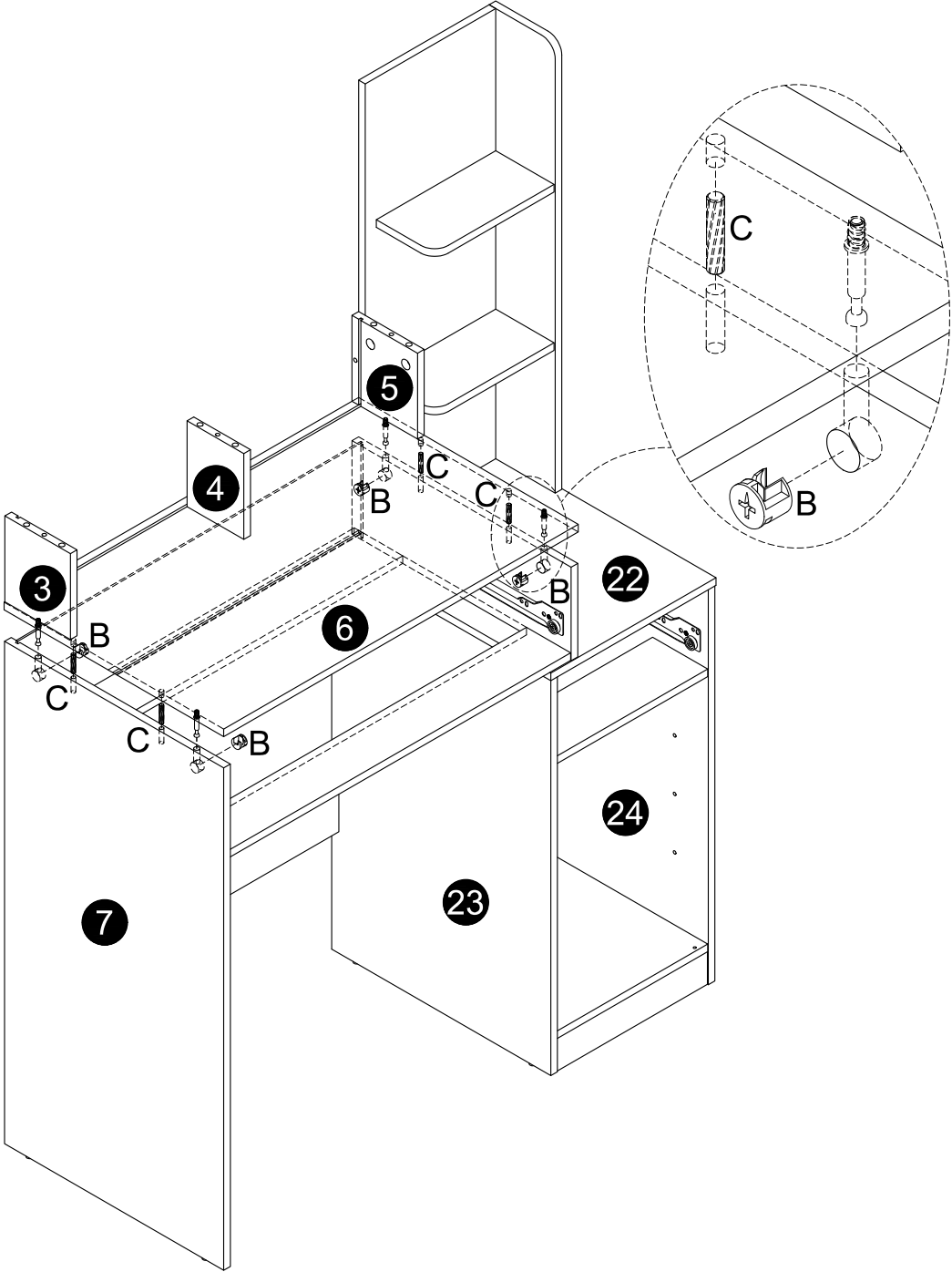


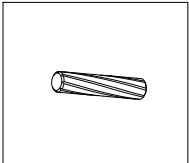


**A** 4PCS

# Assembly Instructions

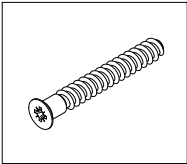
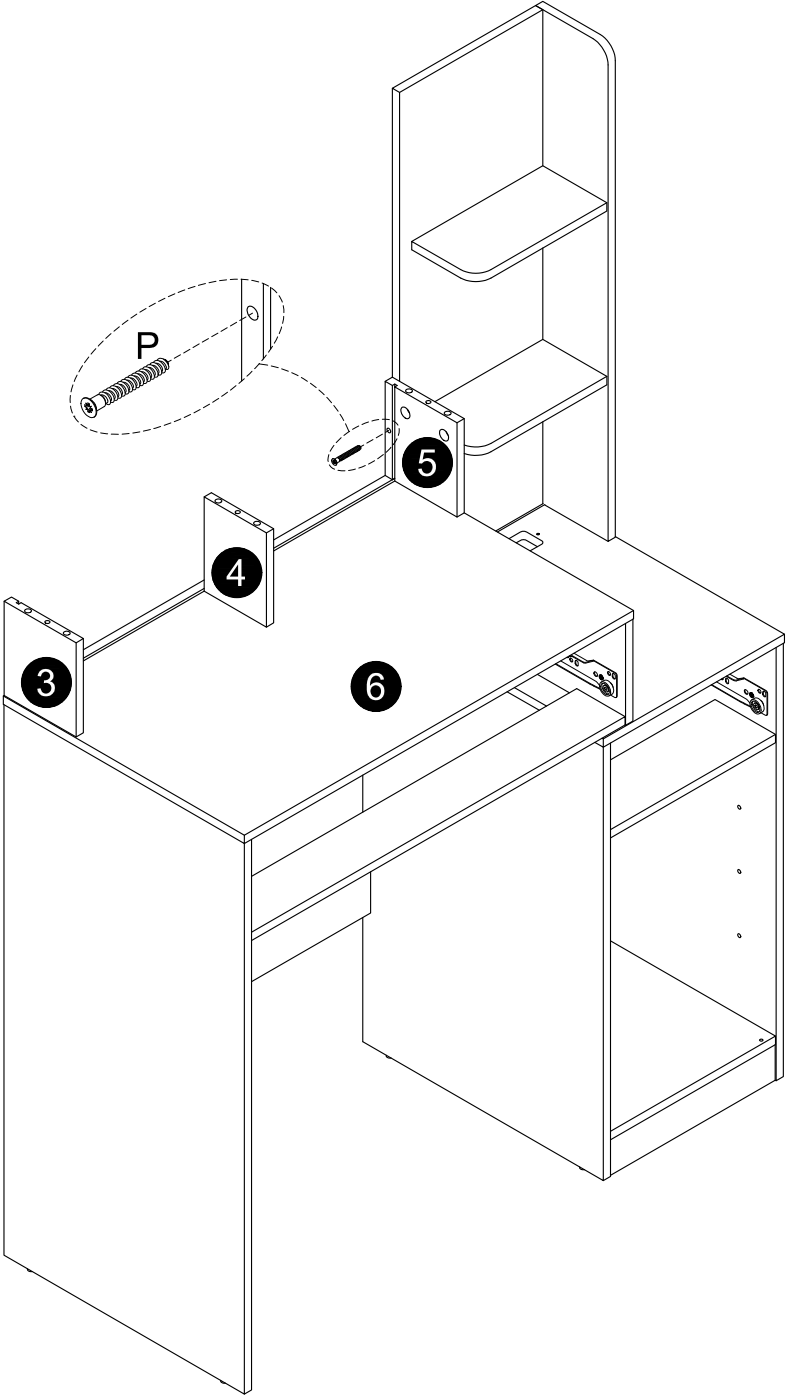
Step18:



	
<b>B</b> 4PCS	<b>C</b> 4PCS

# Assembly Instructions

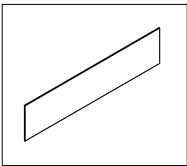
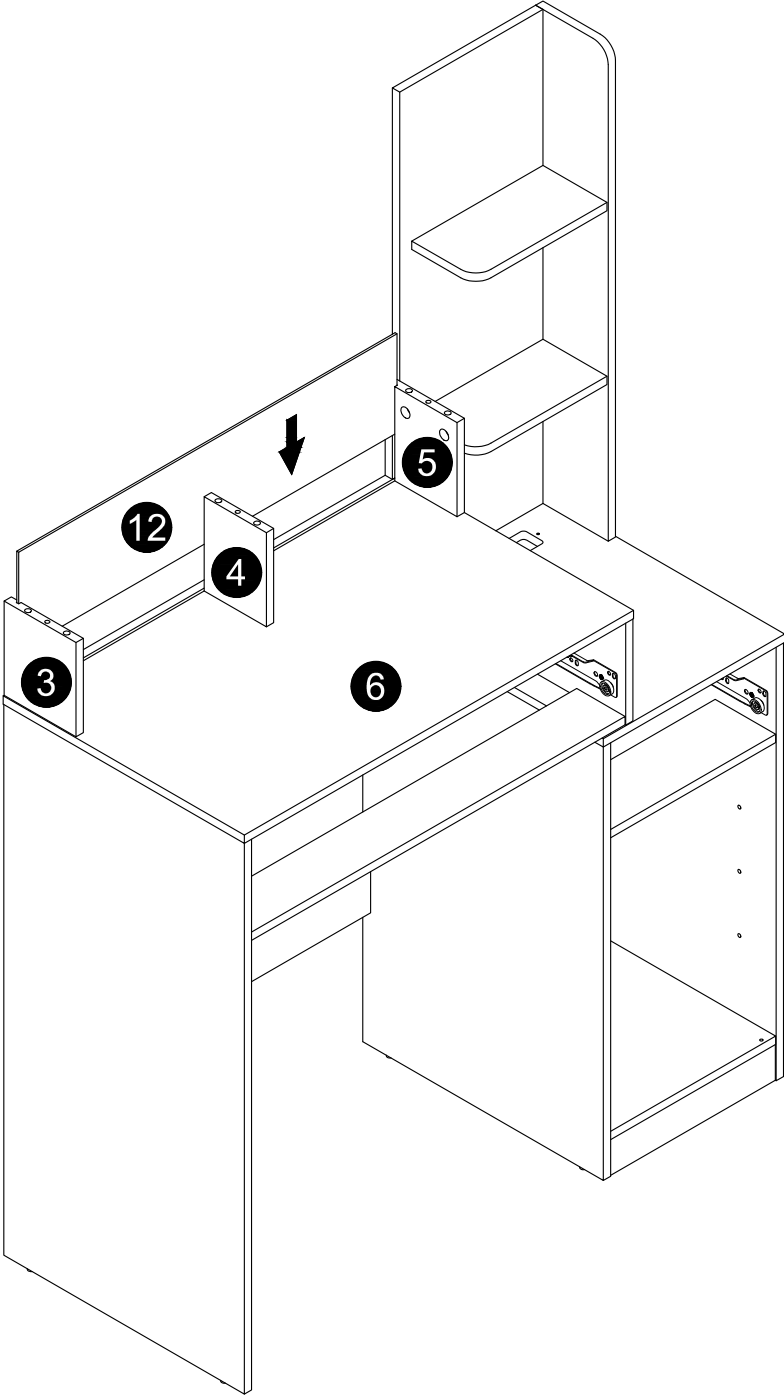
Step 19:



**P** 1PC

# Assembly Instructions

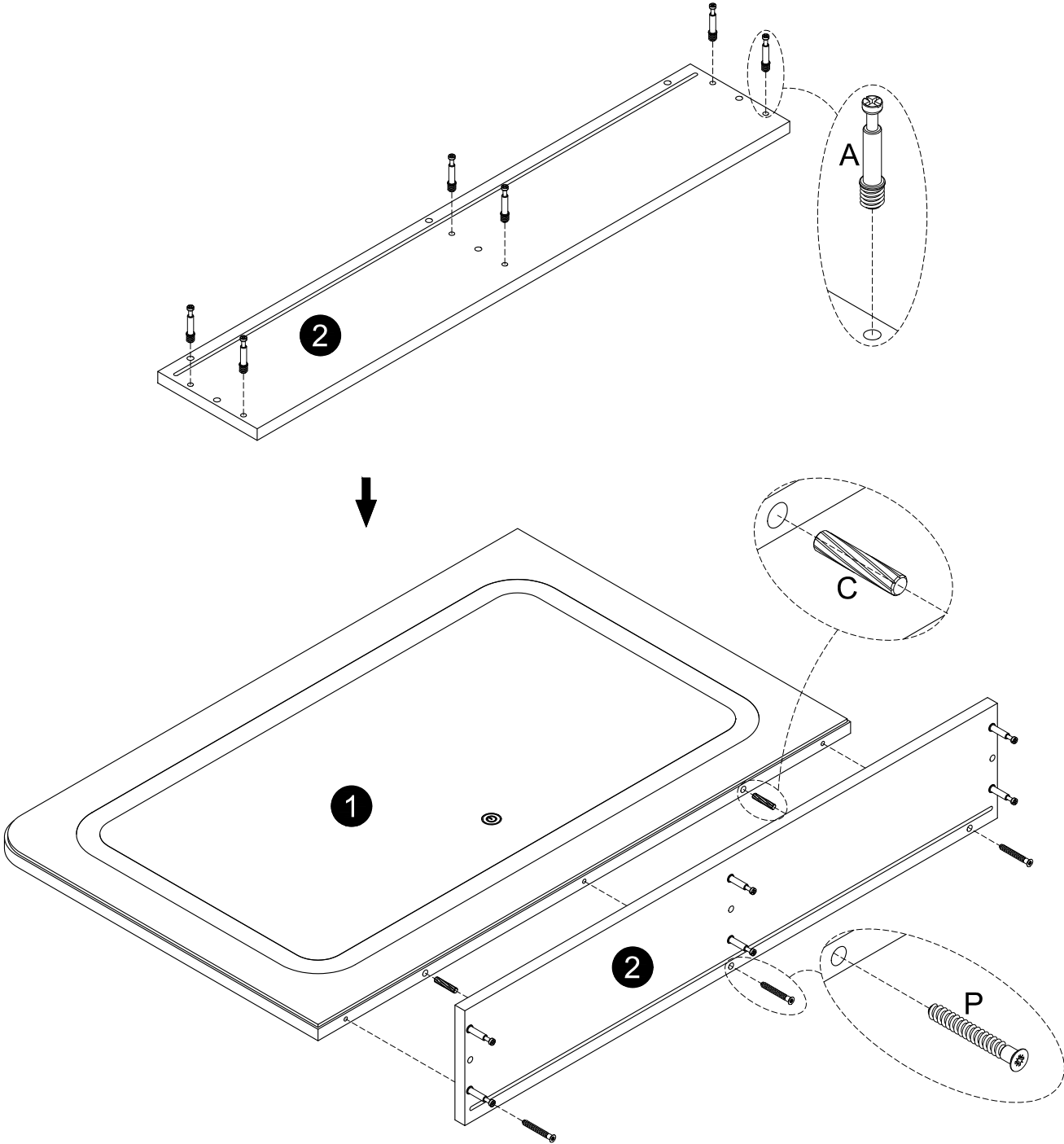
Step20:



12 1PC

# Assembly Instructions

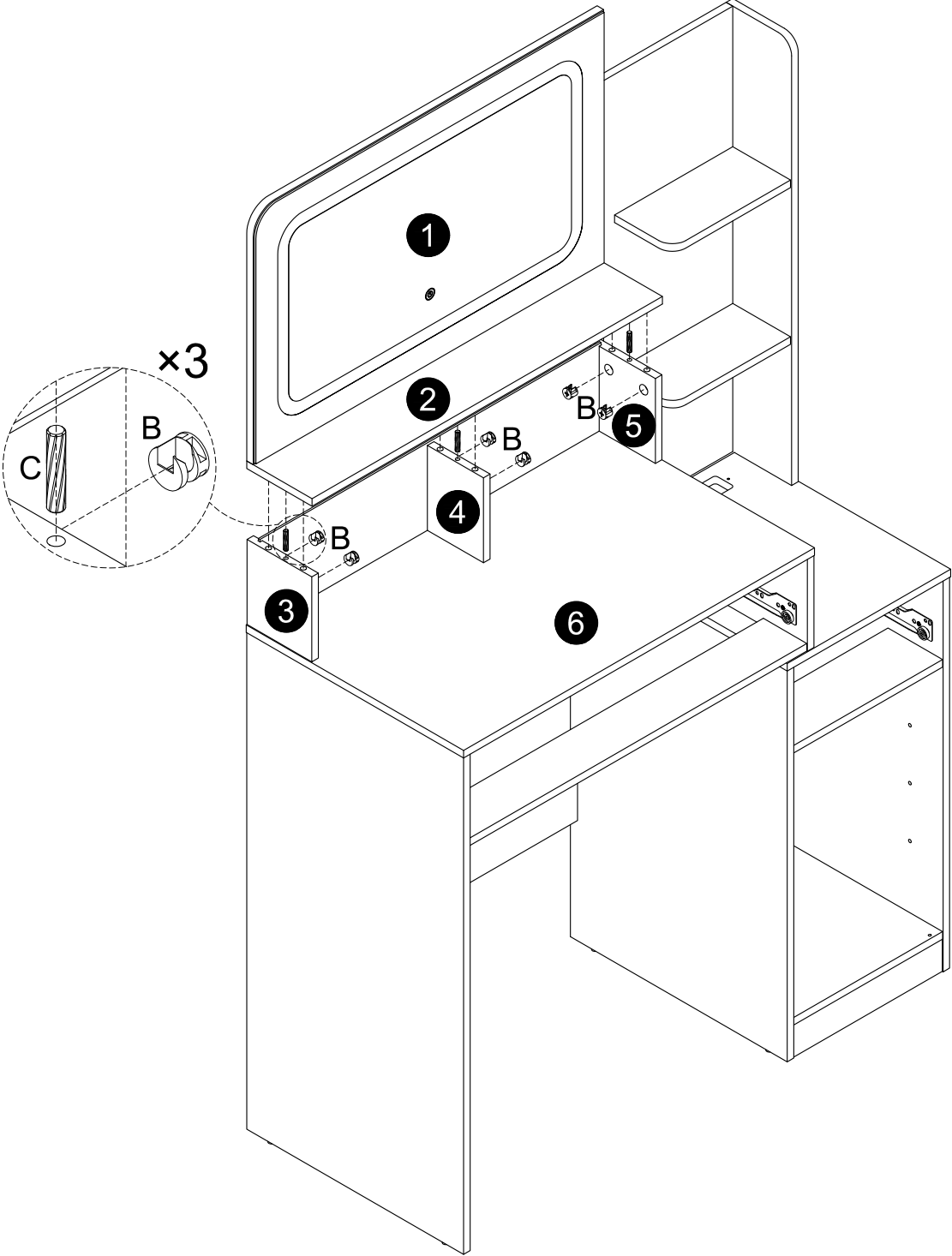
Step21:



- |              |              |               |              |               |
|--------------|--------------|---------------|--------------|---------------|
|              |              |               |              |               |
| <b>1</b> 1PC | <b>2</b> 1PC | <b>A</b> 6PCS | <b>C</b> 2PC | <b>P</b> 3PCS |

# Assembly Instructions

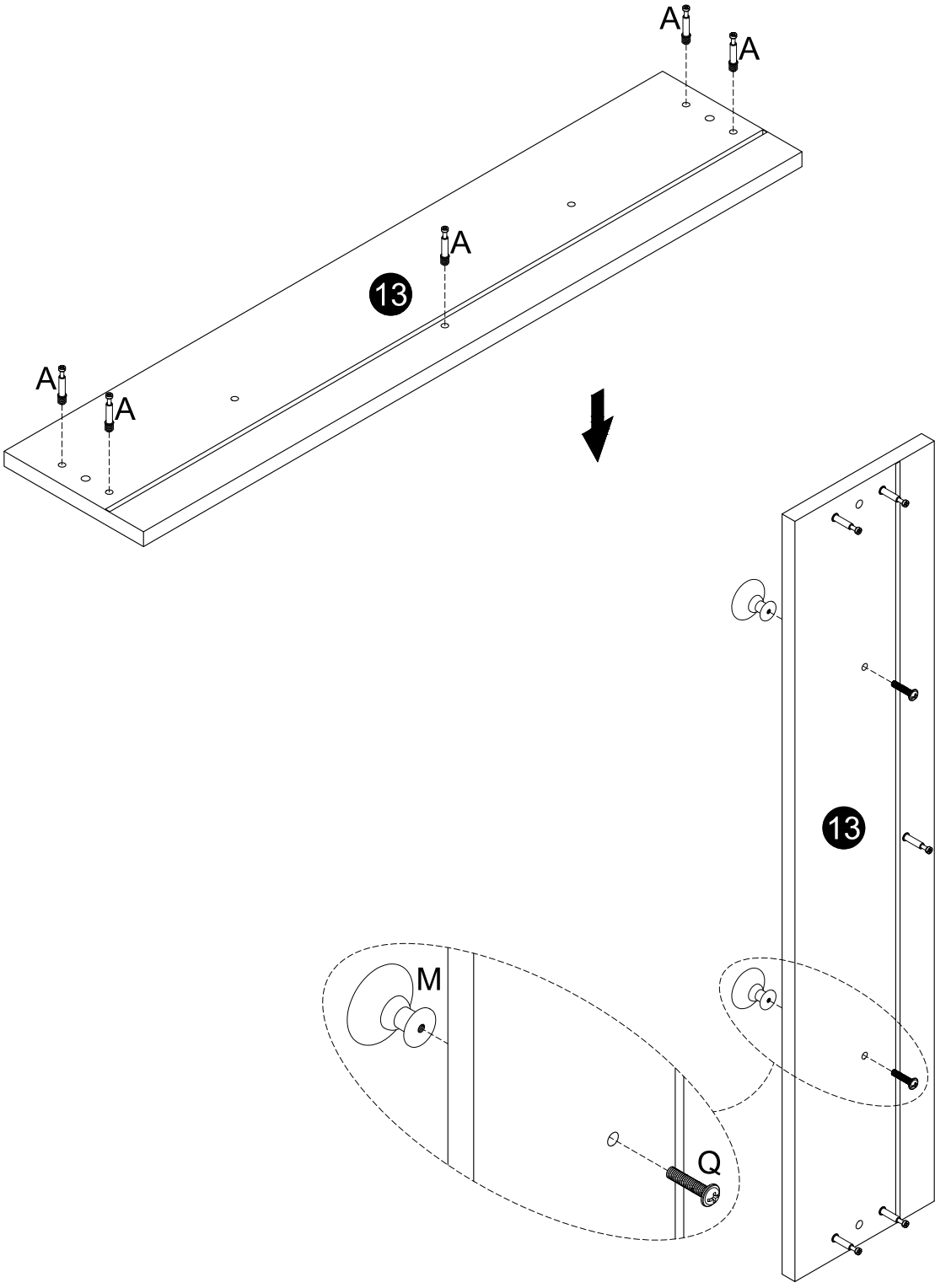
Step22:

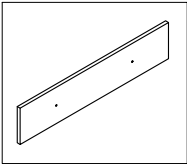
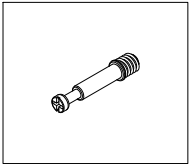
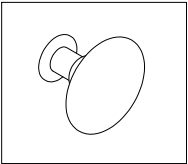
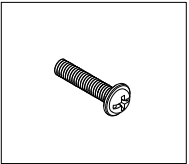


<b>B</b> 6PCS	<b>C</b> 3PCS

# Assembly Instructions

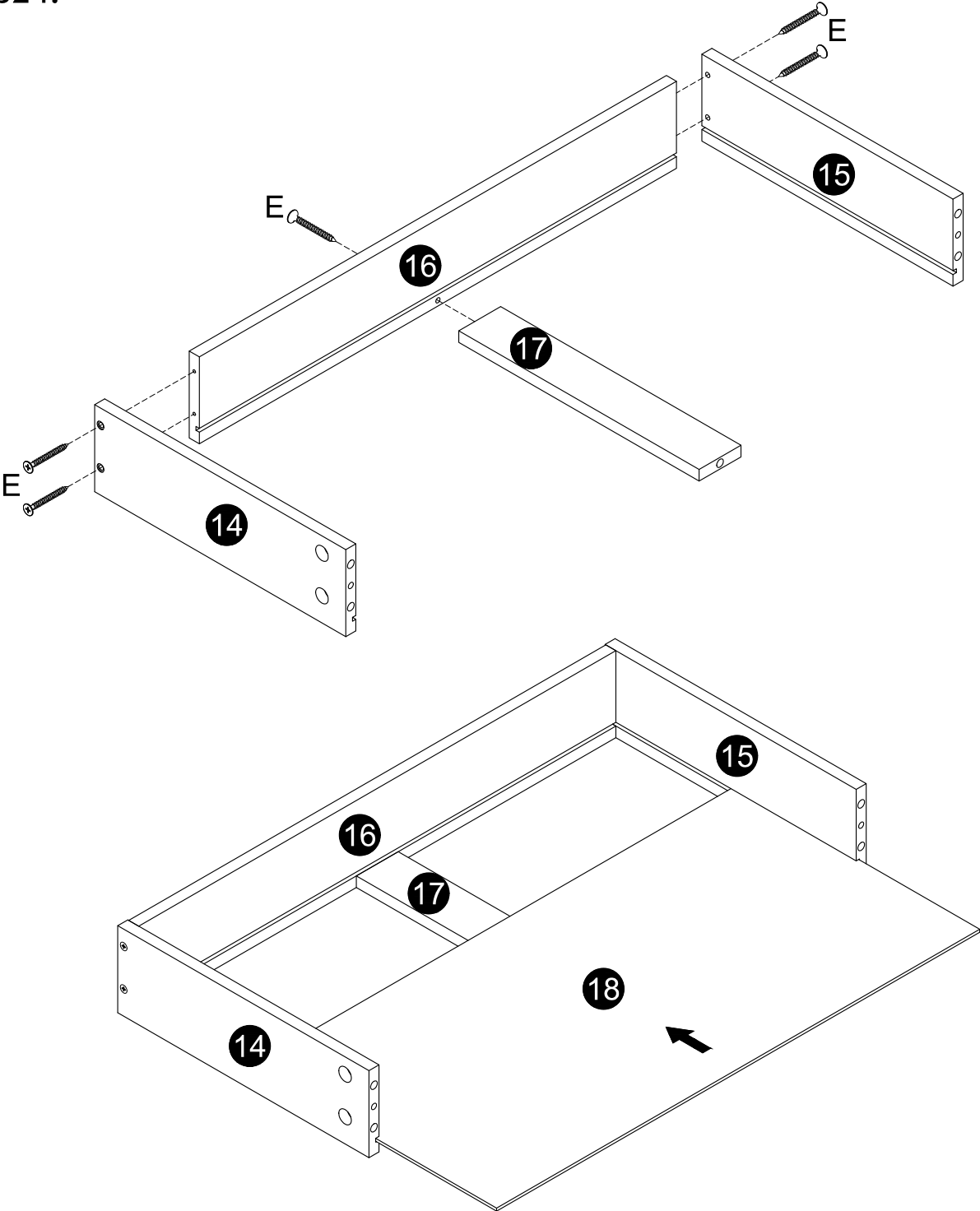
Step23:



			
<b>13</b> 1PC	<b>A</b> 5PCS	<b>M</b> 2PC	<b>Q</b> 2PC

# Assembly Instructions

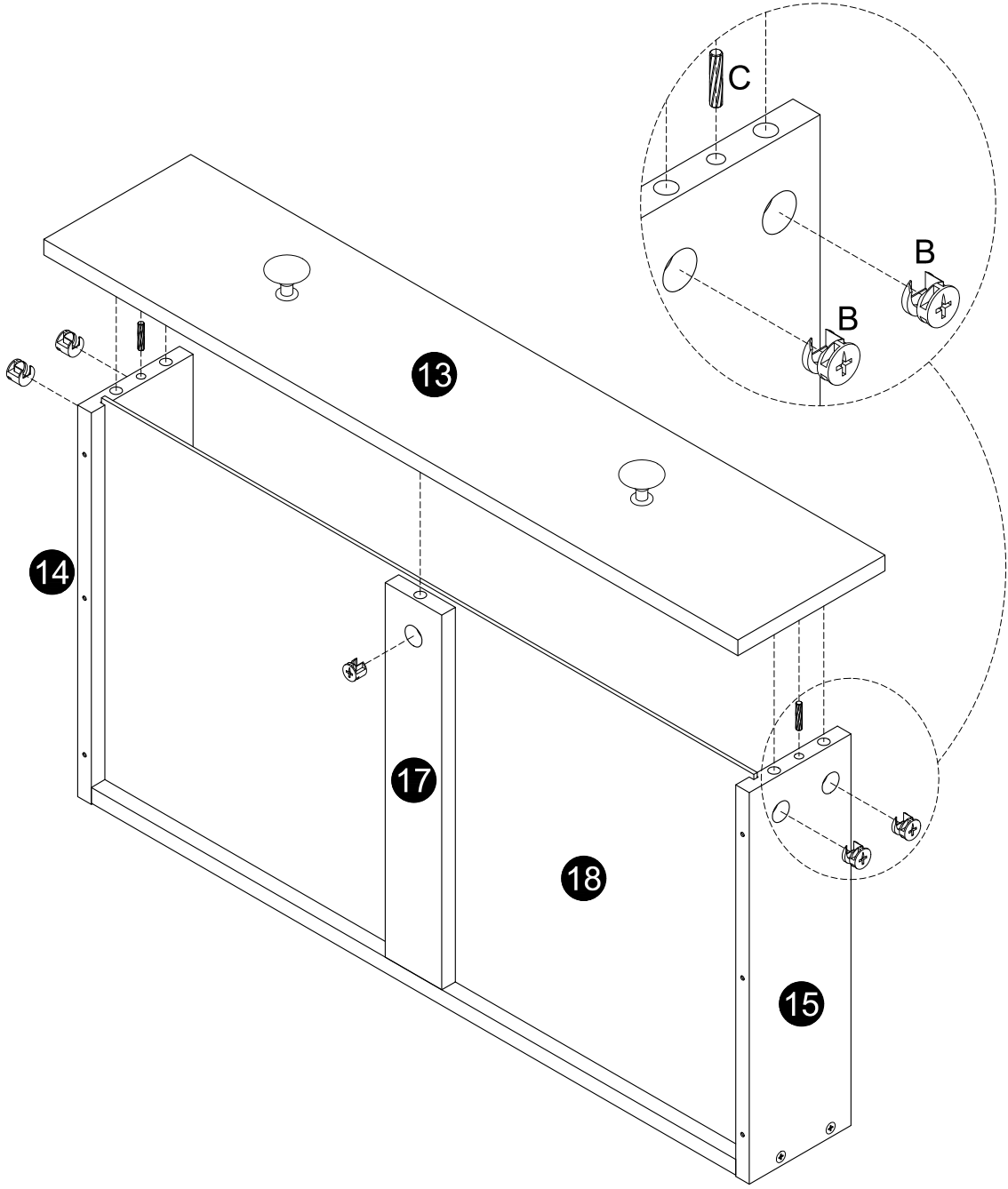
Step24:



- |               |               |               |               |               |               |
|---------------|---------------|---------------|---------------|---------------|---------------|
|               |               |               |               |               |               |
| <b>14</b> 1PC | <b>15</b> 1PC | <b>16</b> 1PC | <b>17</b> 1PC | <b>18</b> 1PC | <b>E</b> 5PCS |

# Assembly Instructions

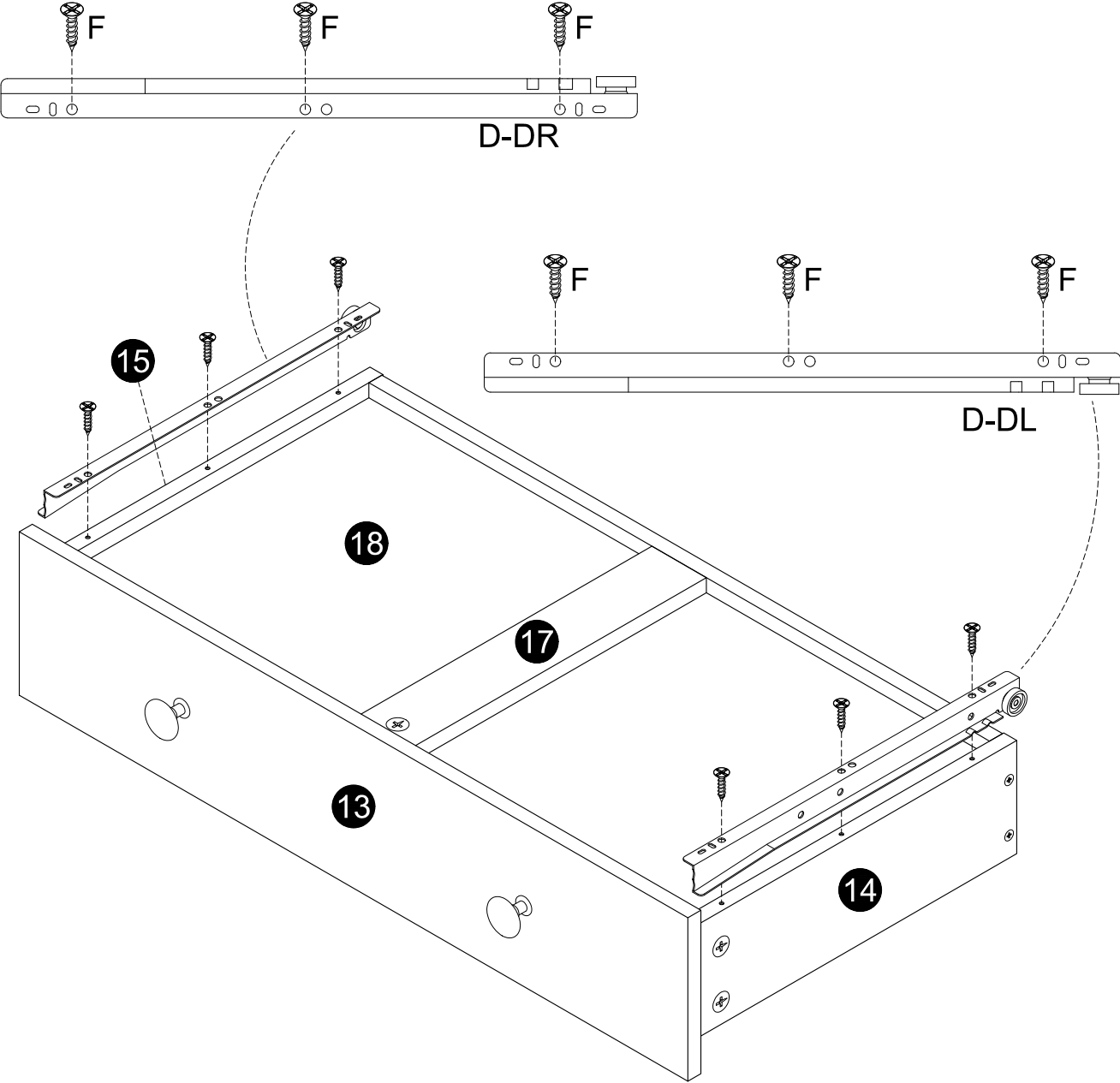
Step25:

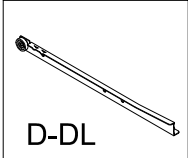
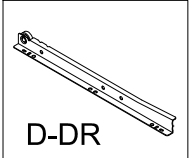
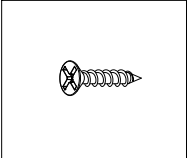


	
<b>B</b> 5PCS	<b>C</b> 2PC

# Assembly Instructions

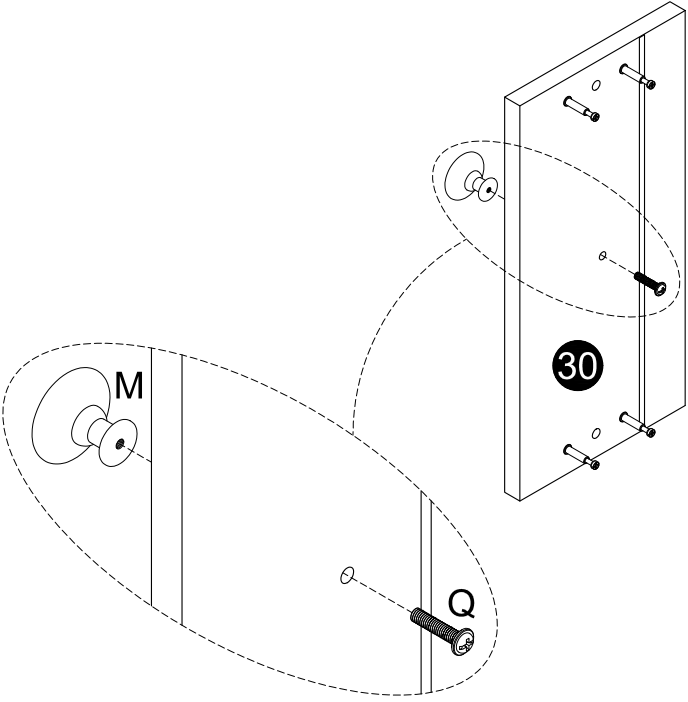
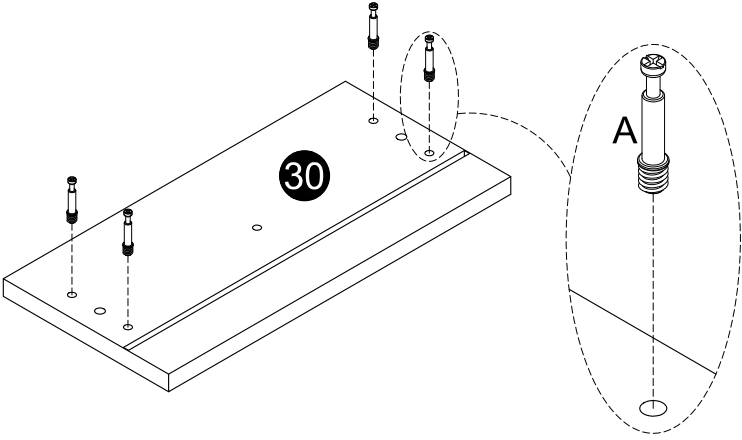
## Step26:

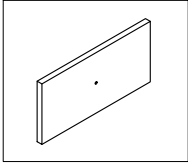
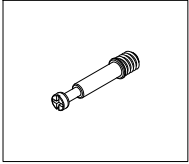
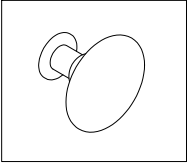
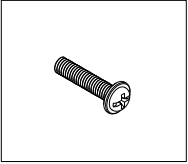


 D-DL	 D-DR	 F
<b>D</b> 1PC	<b>D</b> 1PC	<b>F</b> 6PCS

# Assembly Instructions

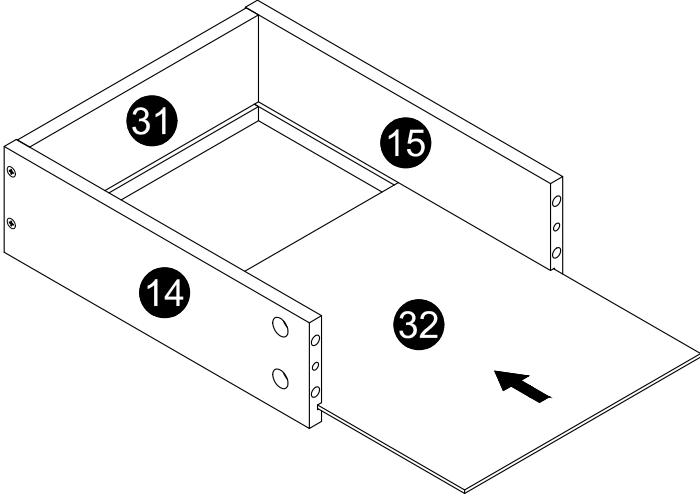
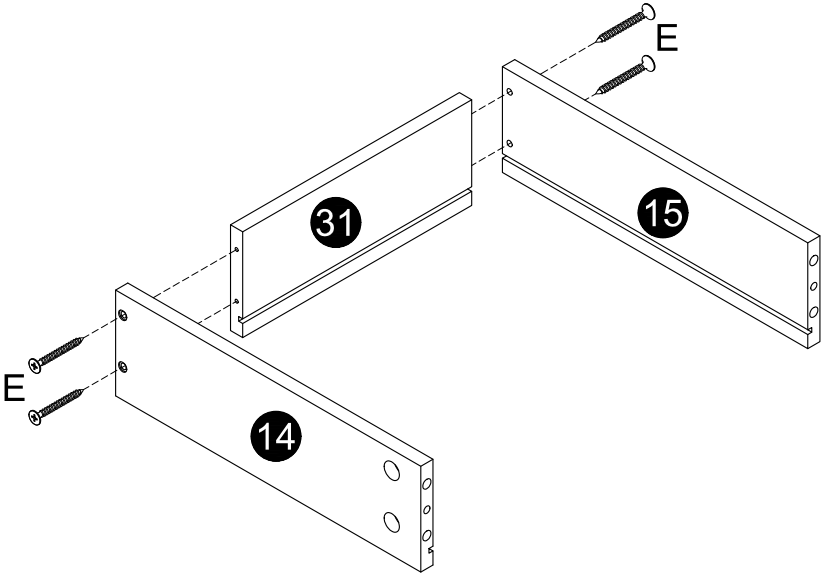
Step27:

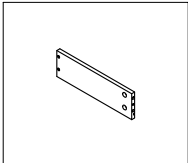
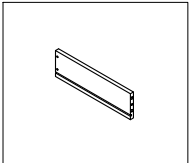
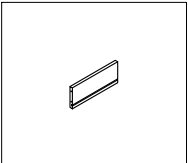
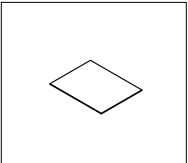
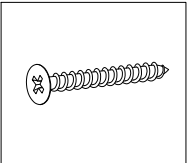


			
<b>30</b> 1PC	<b>A</b> 4PCS	<b>M</b> 1PC	<b>Q</b> 1PC

# Assembly Instructions

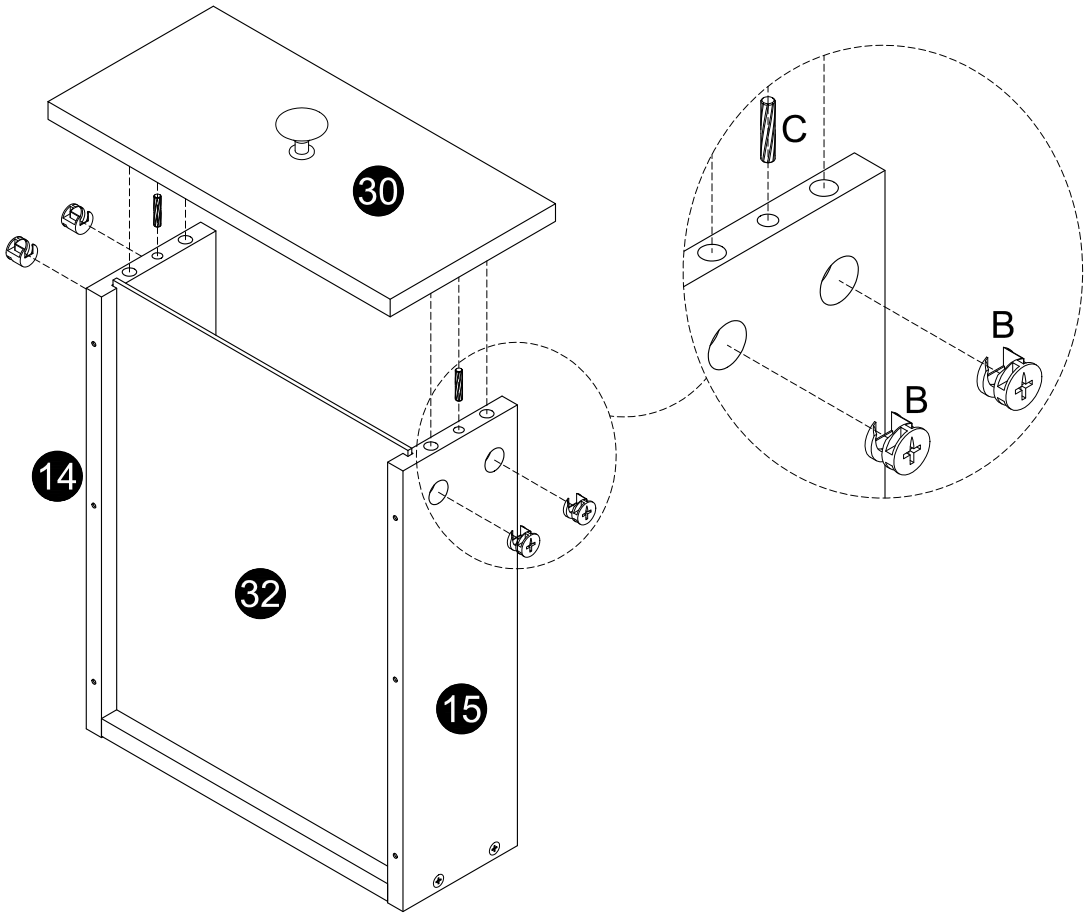
Step28:



				
<b>14</b> 1PC	<b>15</b> 1PC	<b>31</b> 1PC	<b>32</b> 1PC	<b>E</b> 4PCS

# Assembly Instructions

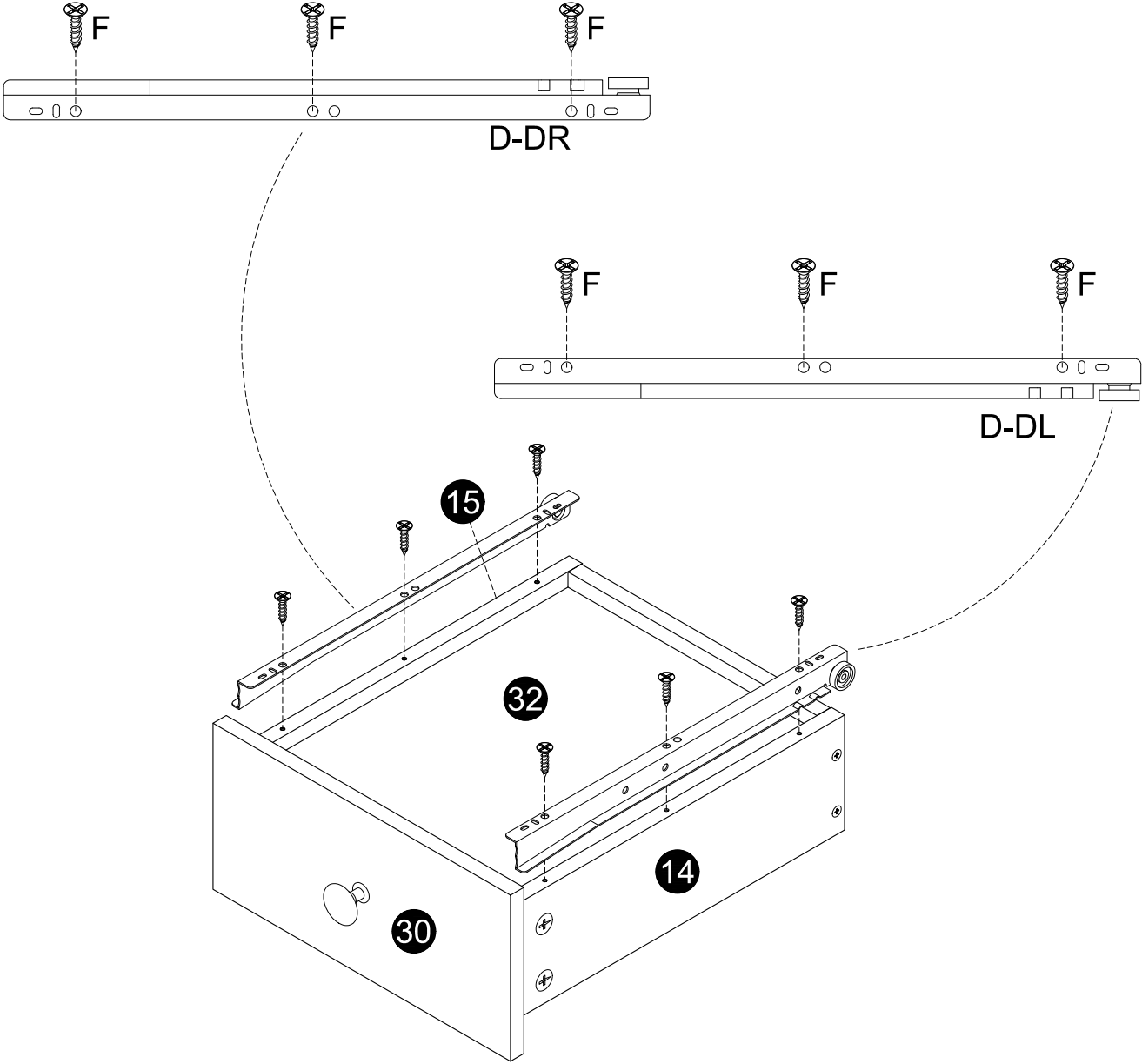
Step29:

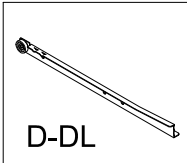
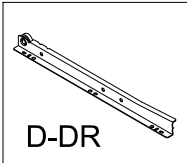
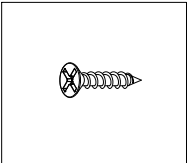


	
<b>B</b> 4PCS	<b>C</b> 2PC

# Assembly Instructions

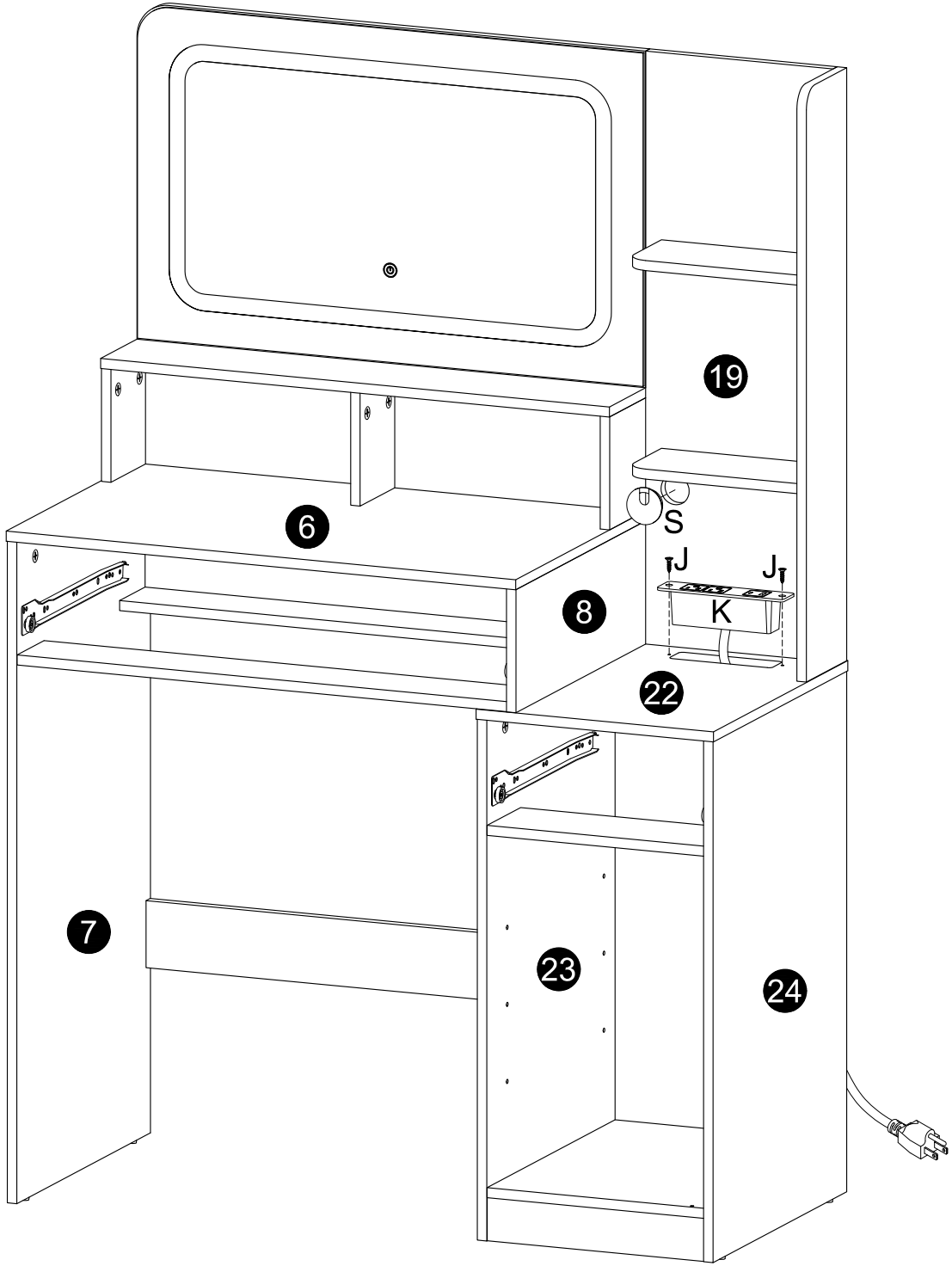
Step30:

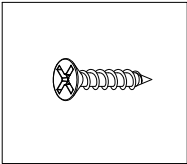
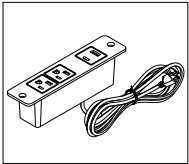
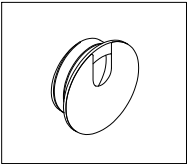


 D-DL	 D-DR	 F
<b>D</b> 1PC	<b>D</b> 1PC	<b>F</b> 6PCS

# Assembly Instructions

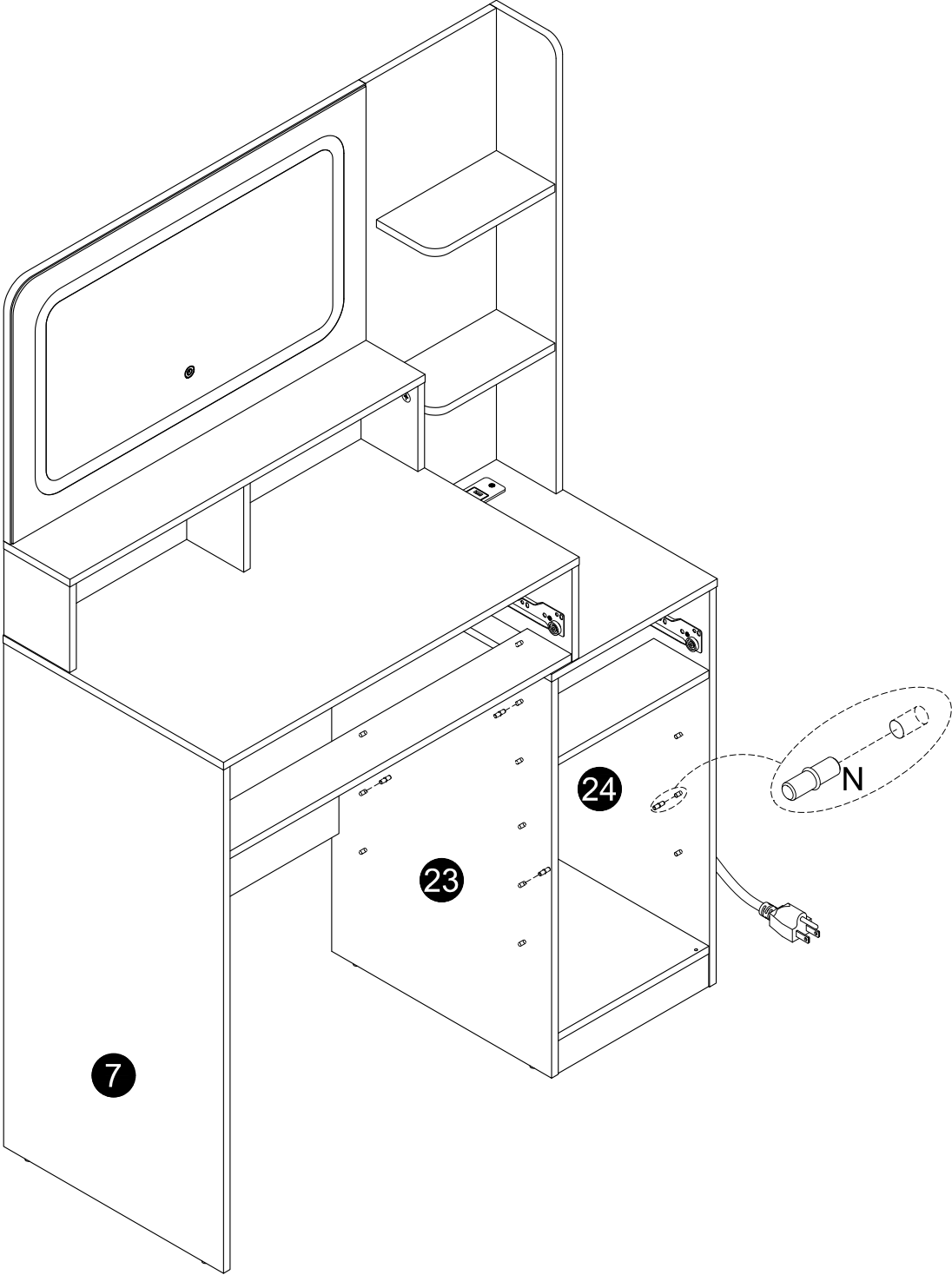
Step31:

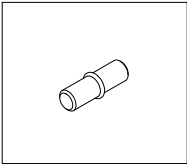


		
<b>J</b> 2PC	<b>K</b> 1PC	<b>S</b> 1PC

# Assembly Instructions

Step32:

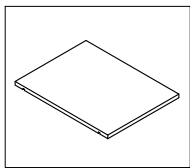
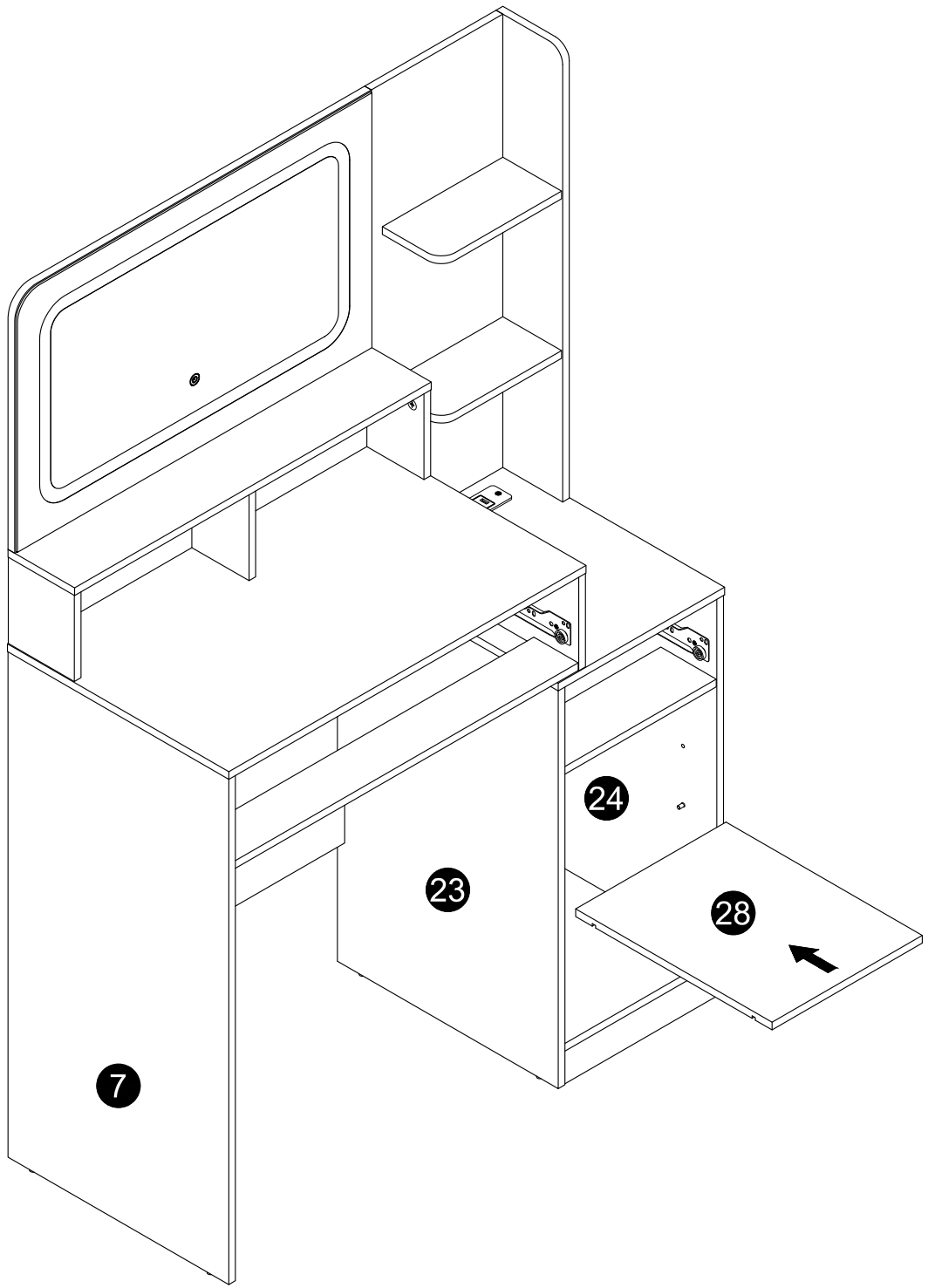




**N** 4PCS

# Assembly Instructions

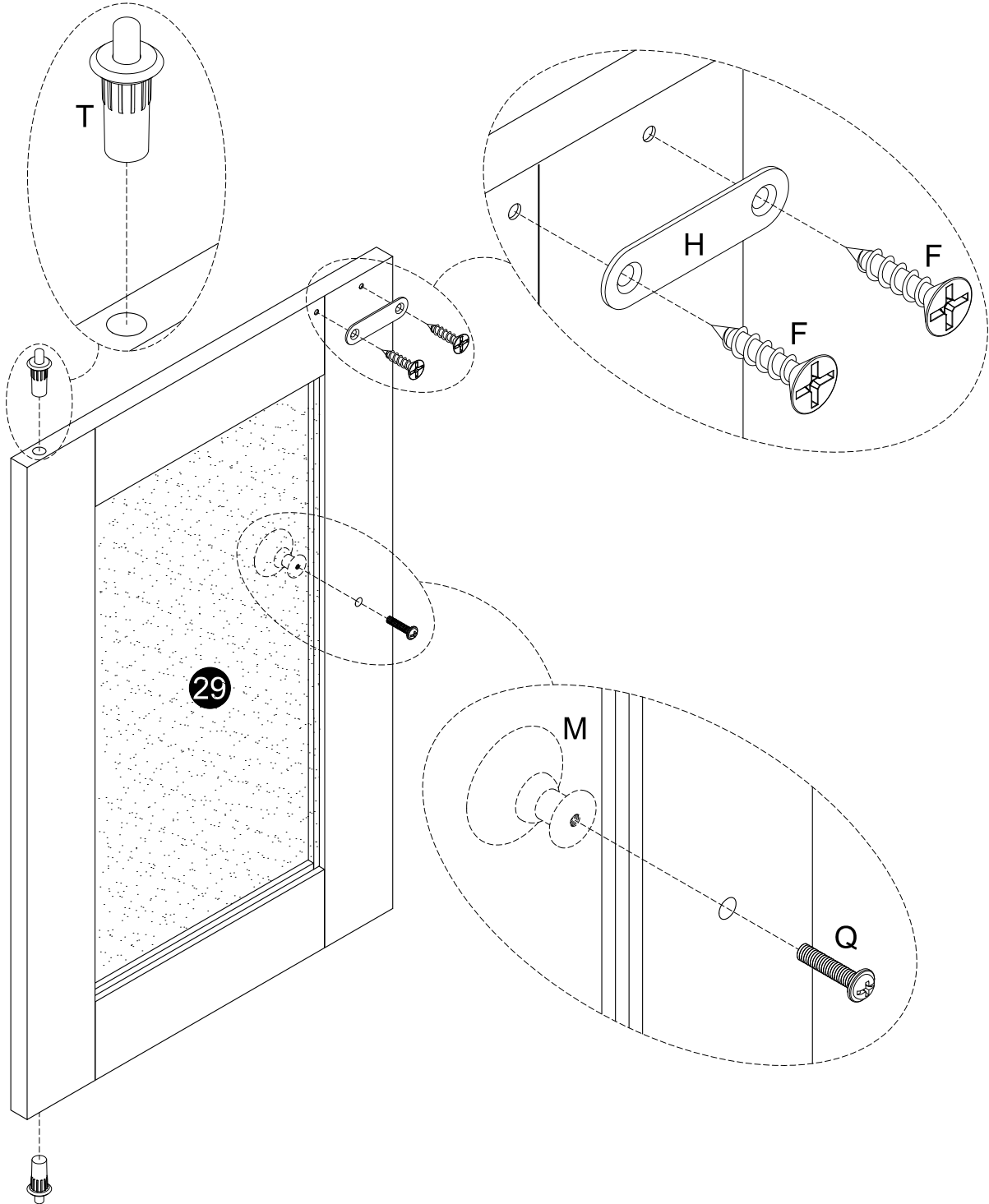
Step33:

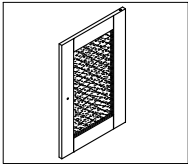
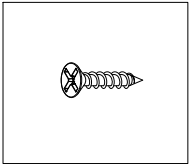
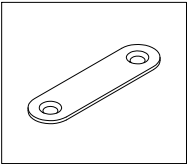
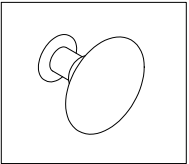
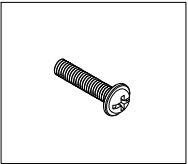


28 1PC

# Assembly Instructions

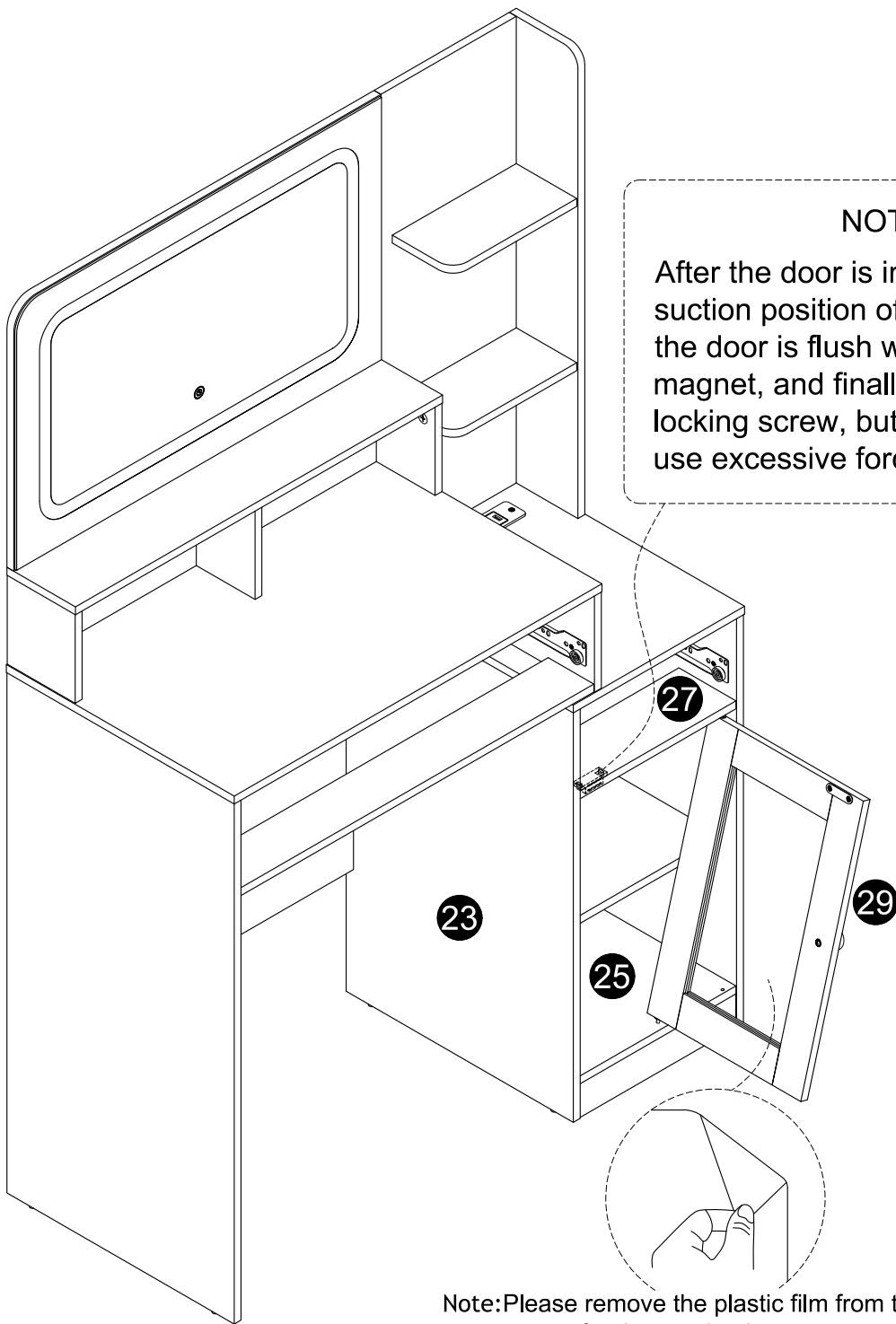
Step34:



					
<b>29</b> 1PC	<b>F</b> 2PC	<b>H</b> 1PC	<b>M</b> 1PC	<b>Q</b> 1PC	<b>T</b> 2PC

# Assembly Instructions

## Step35:



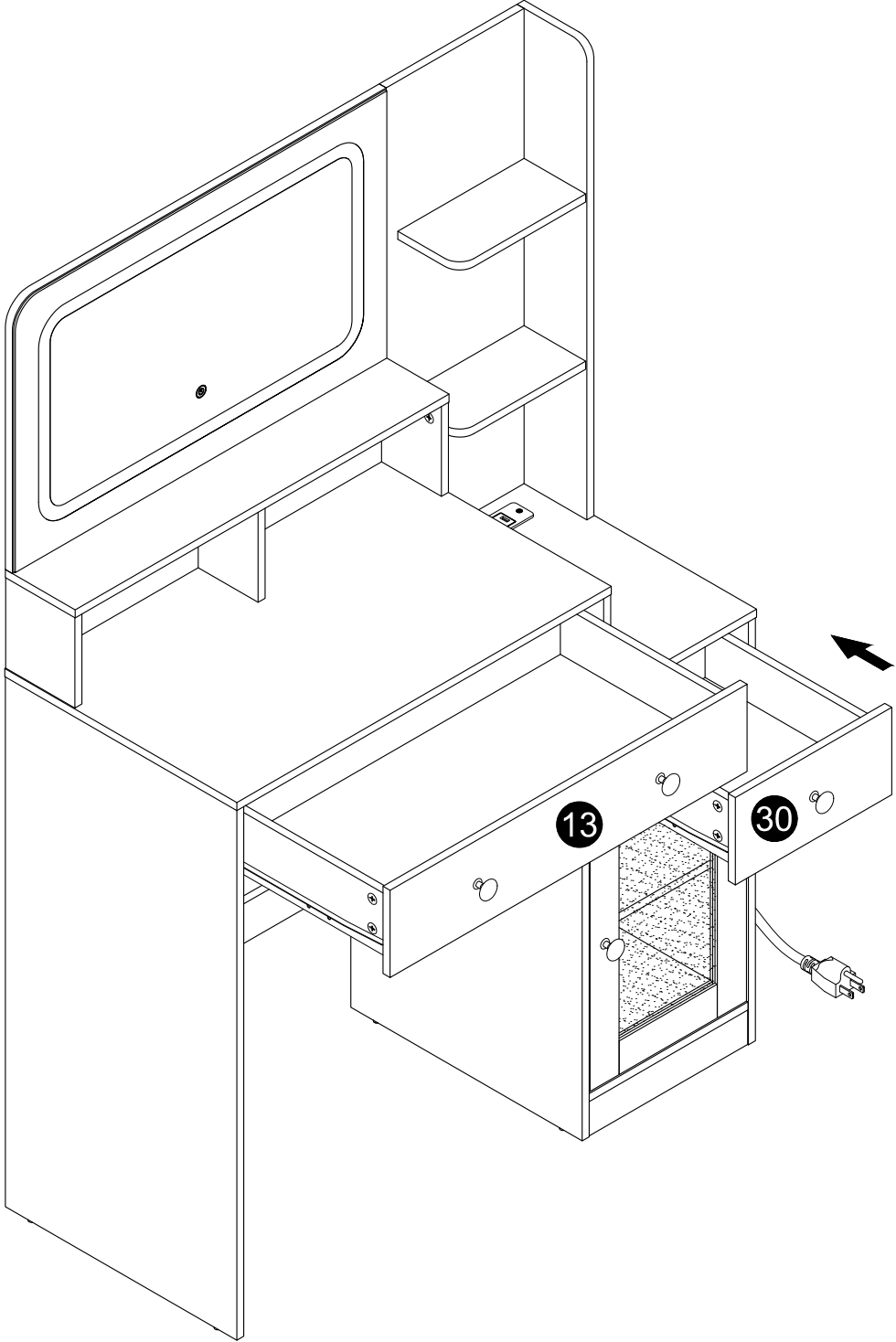
### NOTICE:

After the door is installed, adjust the suction position of the door so that the door is flush with the front of magnet, and finally tighten the locking screw, but be careful not to use excessive force.

Note: Please remove the plastic film from the surface of the parts after installation is complete.

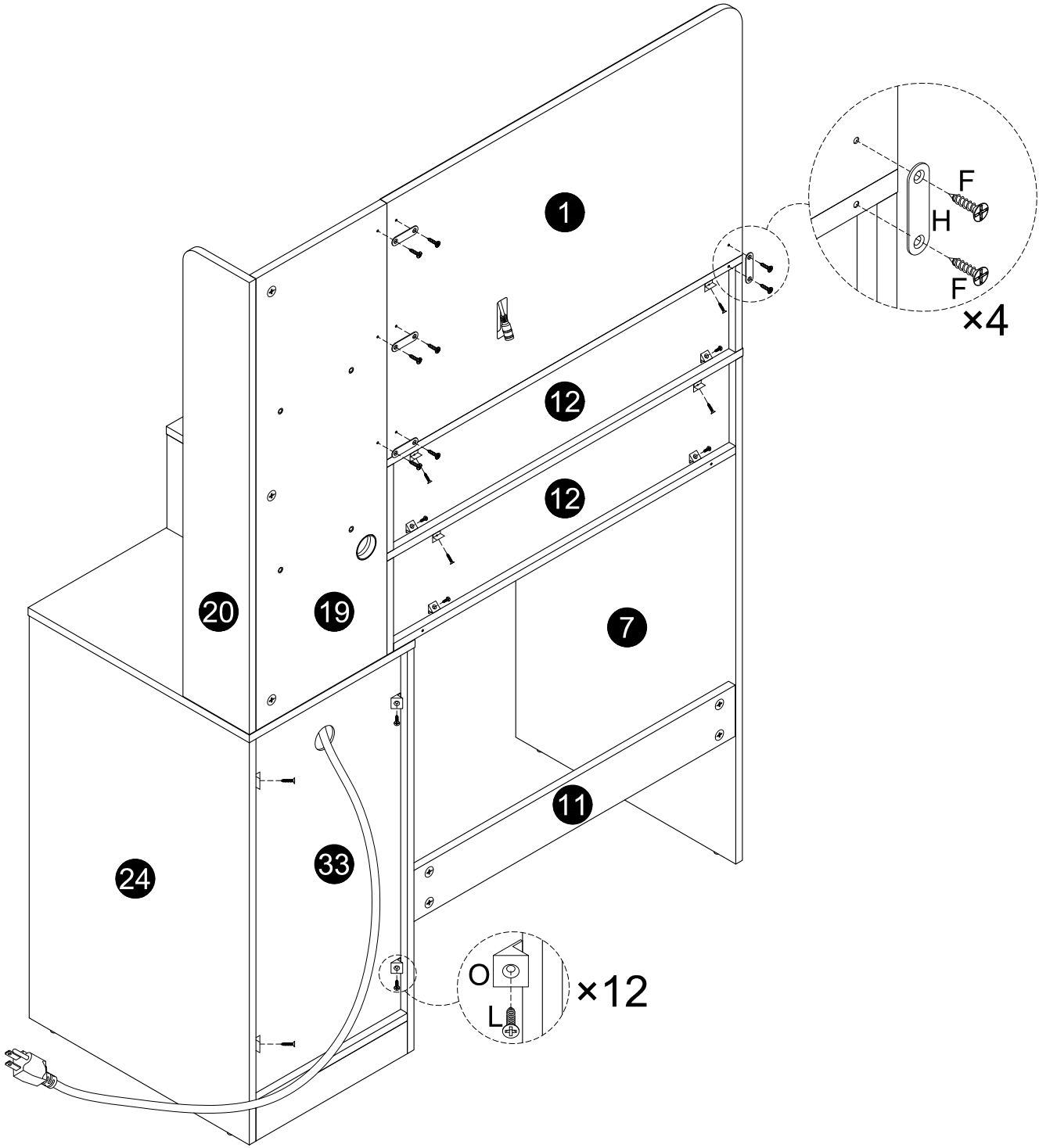
# Assembly Instructions

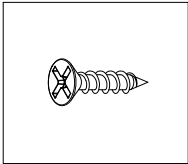
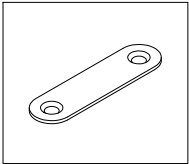
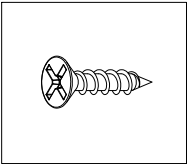
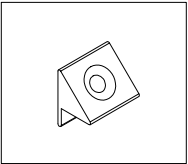
Step 36:



# Assembly Instructions

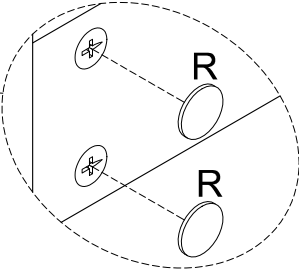
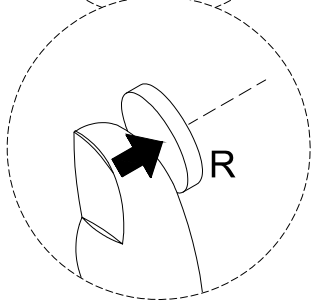
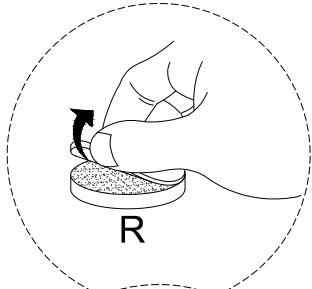
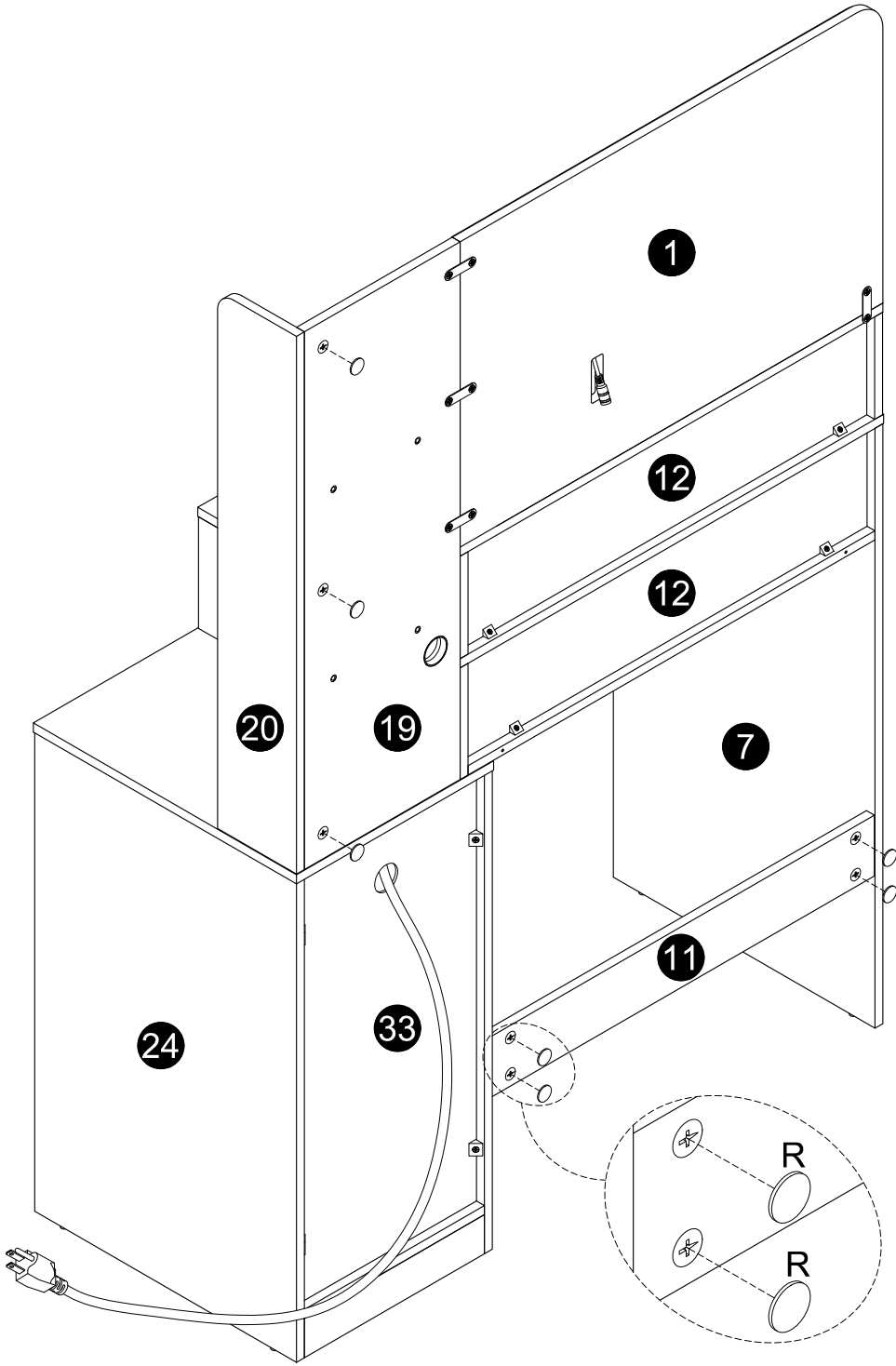
Step37:

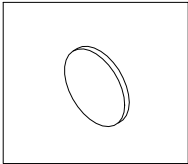


			
<b>F</b> 8PCS	<b>H</b> 4PCS	<b>L</b> 12PCS	<b>O</b> 12PCS

# Assembly Instructions

Step38:

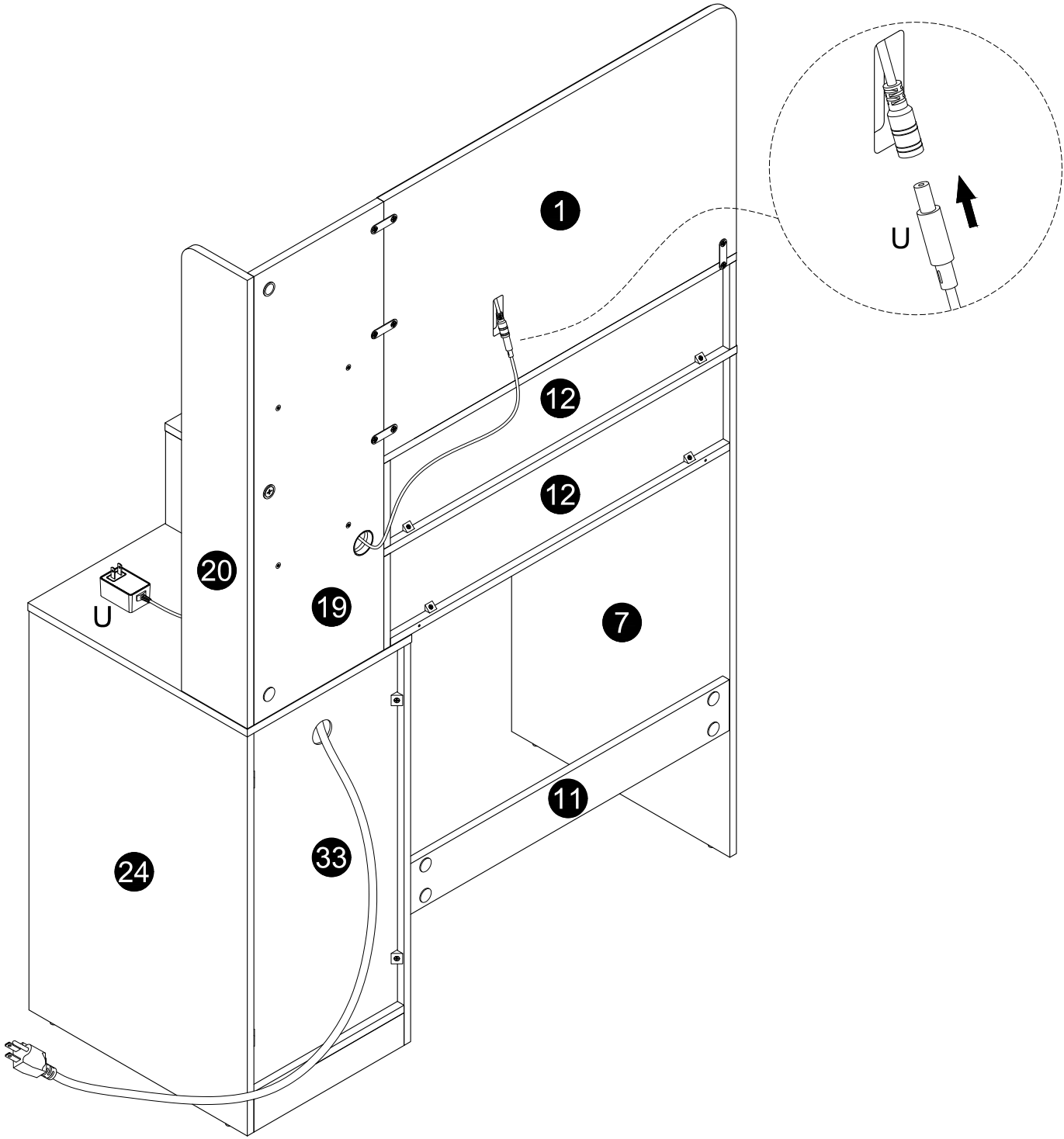




**R** 7PCS

# Assembly Instructions

Step39:

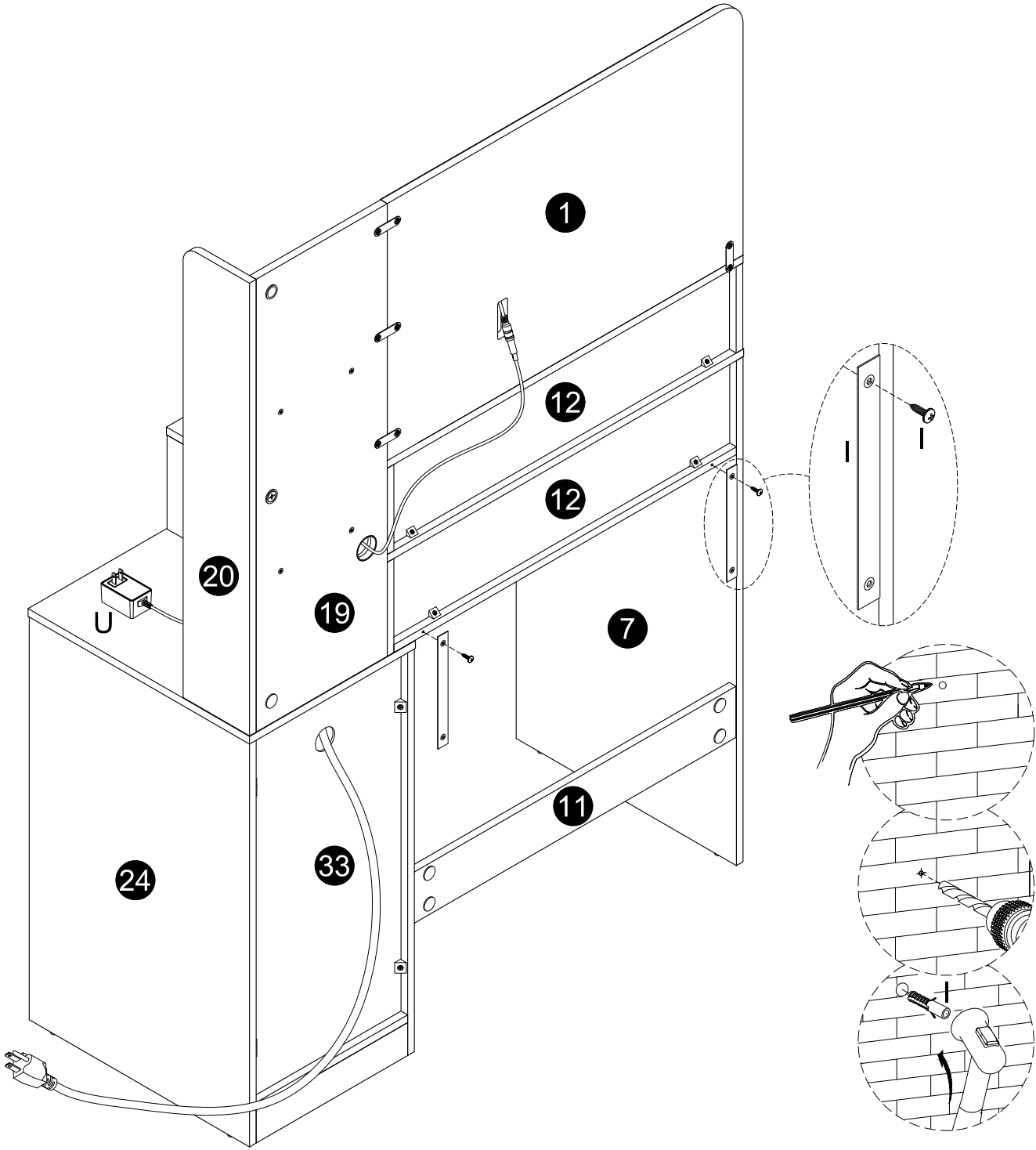


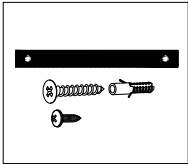
**U** 1PC

The inset diagram shows a cable with a connector on one end and a port labeled 'U' on the other. Below the inset, the text 'U 1PC' indicates that one piece of this cable is required for the assembly.

# Assembly Instructions

Step40:

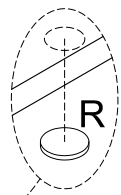
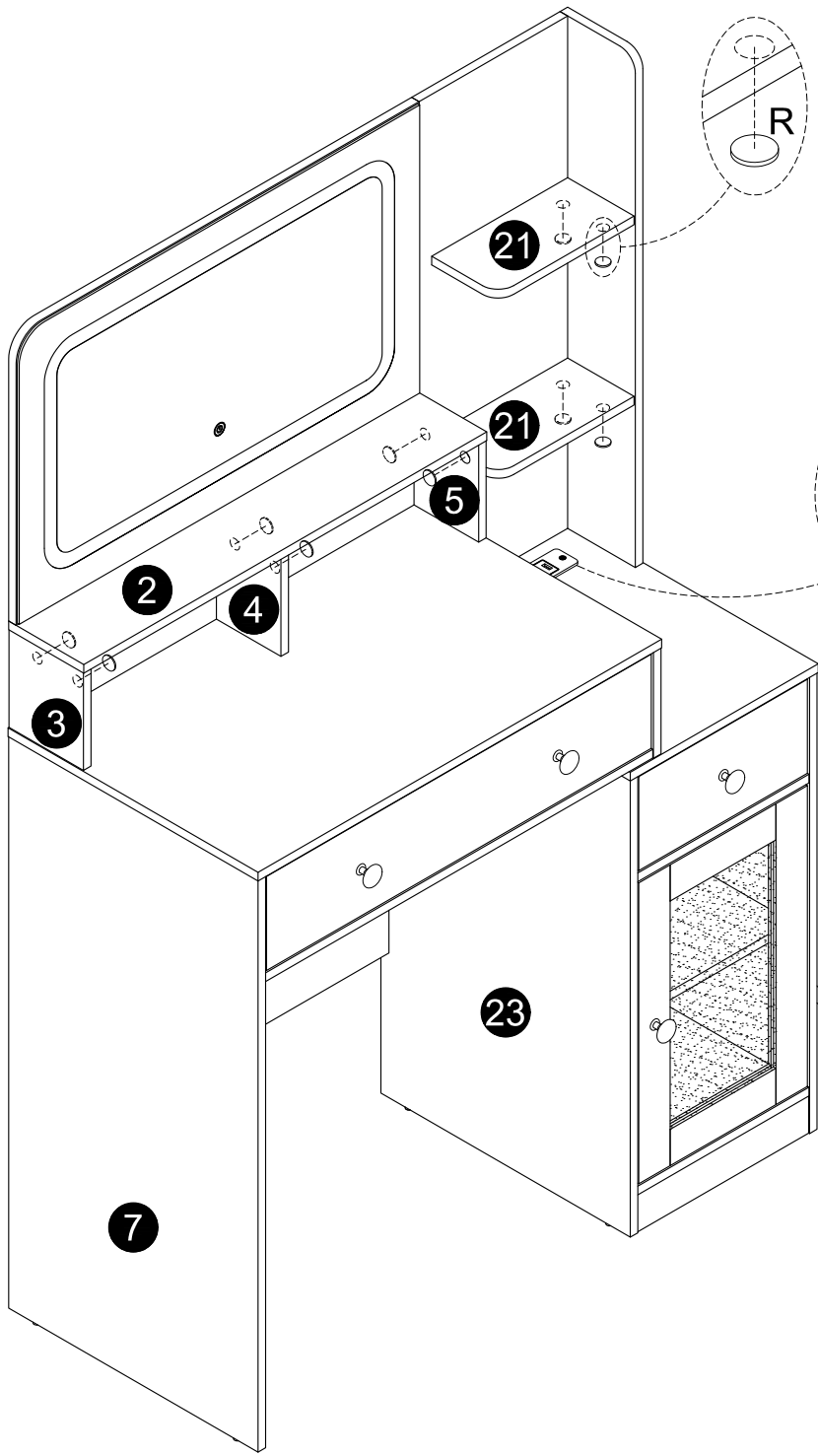




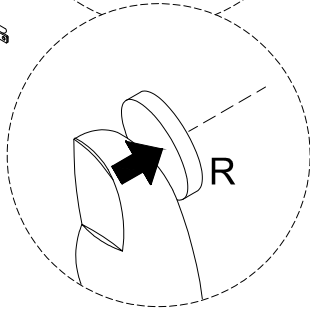
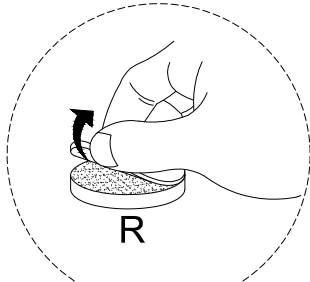
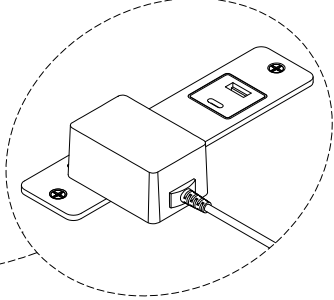
**I** 2PC

# Assembly Instructions

Step41:



**!** Note: Connect the power





**R** 10PCS

# Assembly Instructions

## Step42:

Note: Please remove the plastic film from the surface of the parts after installation is complete.

