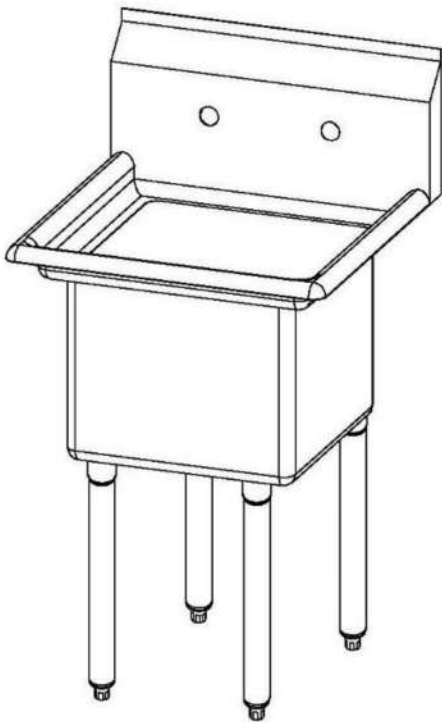
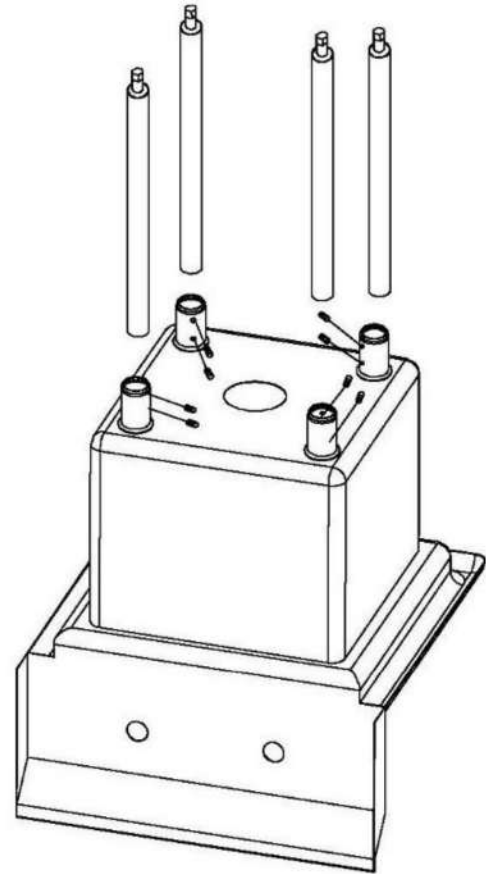




Stainless Steel Sink Assembly Instruction

Step 1.

Carefully remove contents of carton. Position sink upside down on a protected surface so you can access the underside of the sink. Install leg assembly into gussets at each end.



Step 2.

Tighten each Set Screw using 5/32" Allen Wrench included with your sink.

Step 3.

Carefully turn sink over onto its legs. Check for stability and adjust Bullet feet as necessary.