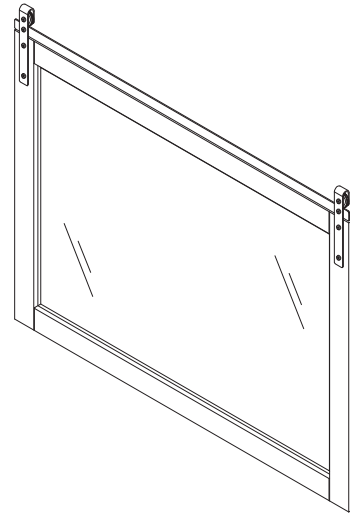


1. Do not touch the mirror with wet hands or wipe the mirror with a damp cloth to avoid increasing the moisture pouring in;
2. Keep the mirror away from salt, grease and acid, which can corrode the mirror;
3. The mirror should be wiped with soft dry cloth or cotton to prevent the mirror from being scratched or damaged;
4. Do not use acidic liquids to wipe mirror surfaces and frames;
5. Before bath, soap can be daubed mirror, then wipe with dry cloth, the mirror on the formation of a soap liquid film, can prevent mirror blur;
6. Dip in a dry cloth with proper amount of detergent and evenly wipe the mirror surface;
7. Use paper towel to wipe.



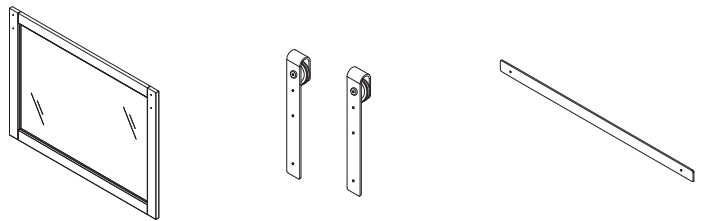
Mounting Tools



Mounting screw/Vis pour montage

A	M4x25 Hexagon socket screws/ Vis à six pans creux	6 pcs	
B	Wall screw/Vis murale pour accrocher	2 pcs	
*	Allen Wrench/Clé hexagonale interne	1 pcs	

Install parts

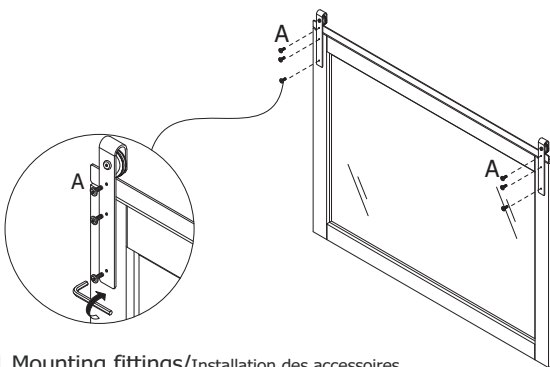


Mirror
miroirs/ 1

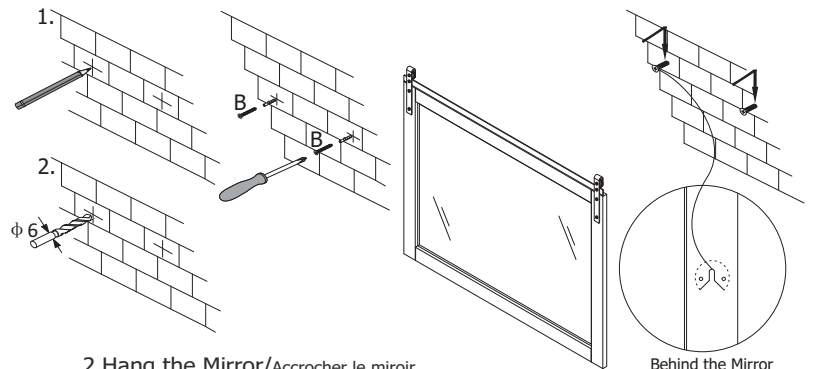
Mirror frame sliding door hook
Mirror frame shift door hooks/ 2

Mirror frame guide
Miroir cadre guide/ 1

Installation steps



1. Mounting fittings/Installation des accessoires



2. Hang the Mirror/Accrocher le miroir

Behind the Mirror

Dimensions

