



# ASSEMBLY INSTRUCTIONS

GRAPHITE SIDE CHAIR/ WOOD 139-632S



## Read instruction carefully prior for assembly

Thank you for purchasing this quality product. check carefully for small parts which may have come loose during shipment.

Remove all components from pack and place on soft surface to prevent scratching the finish during assembly. identify and count all parts as specified below.

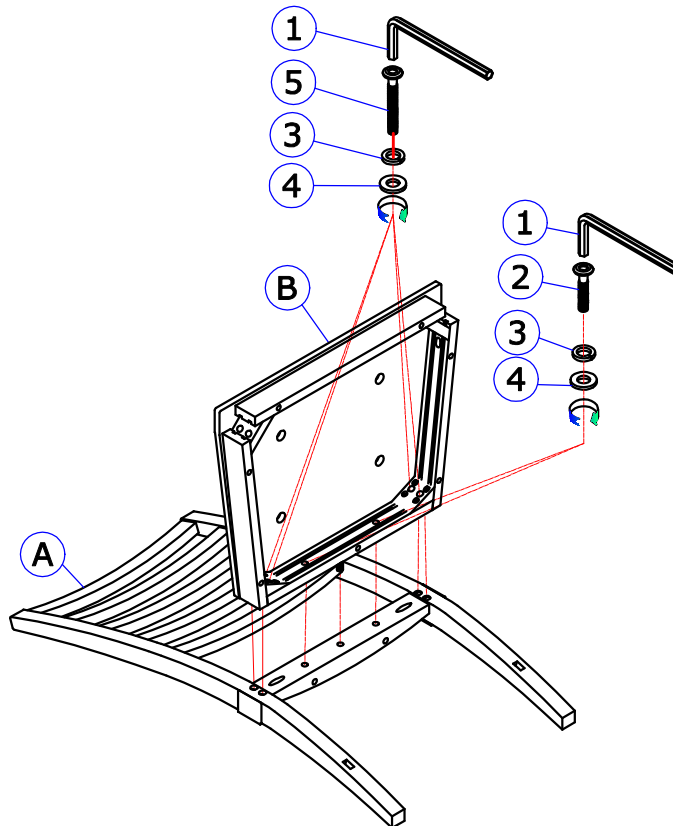
### Hardware List

No.	Item	Picture	Q'ty
1	Allen Key M4		1Pc
2	Bolt 5/16"*38mm		2Pcs
3	Spring Washer 5/16"		10Pcs
4	Flat Washer 5/16"x19x2mm		10Pcs
5	Bolt 5/16"*70mm		4Pcs
6	Nut 5/16" x 13mm		4Pcs
7	Wrench 12.8mm		1Pc
8	Screw #4*1-1/4"		4Pcs

### Part List

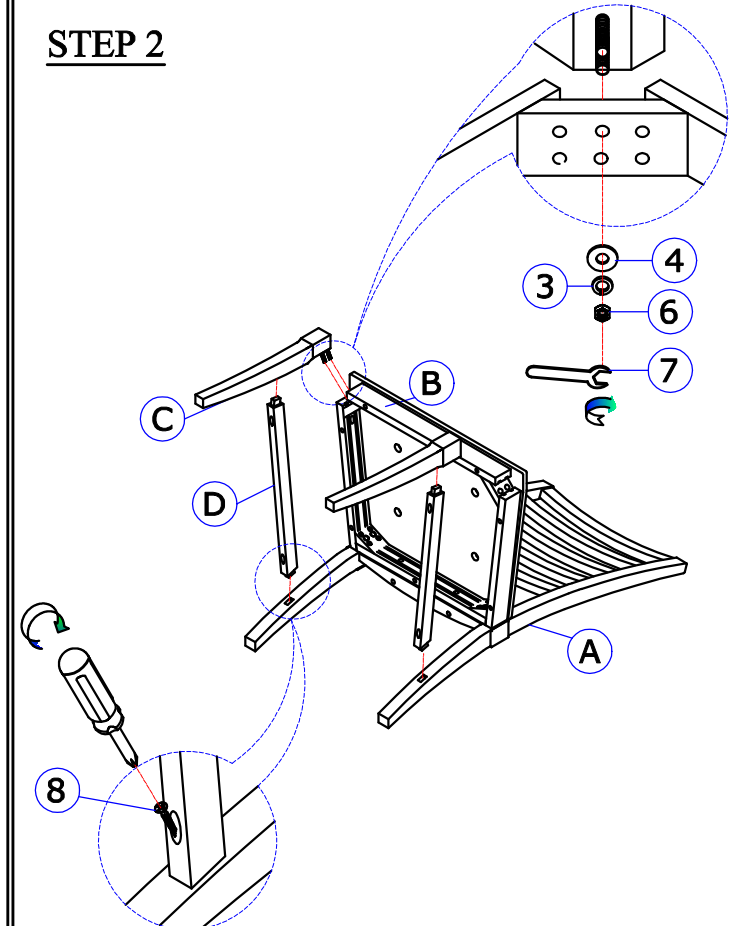
No.	Item	Picture	Q'ty
A	Back Frame		1Pc
B	Seat Frame		1Pc
C	Leg		2Pcs
D	Side Stretcher		2Pcs

## STEP 1



Attach Seat Frame (B) with Back Frame (A) .

## STEP 2



Attach Leg (B) with Seat Frame (A) .