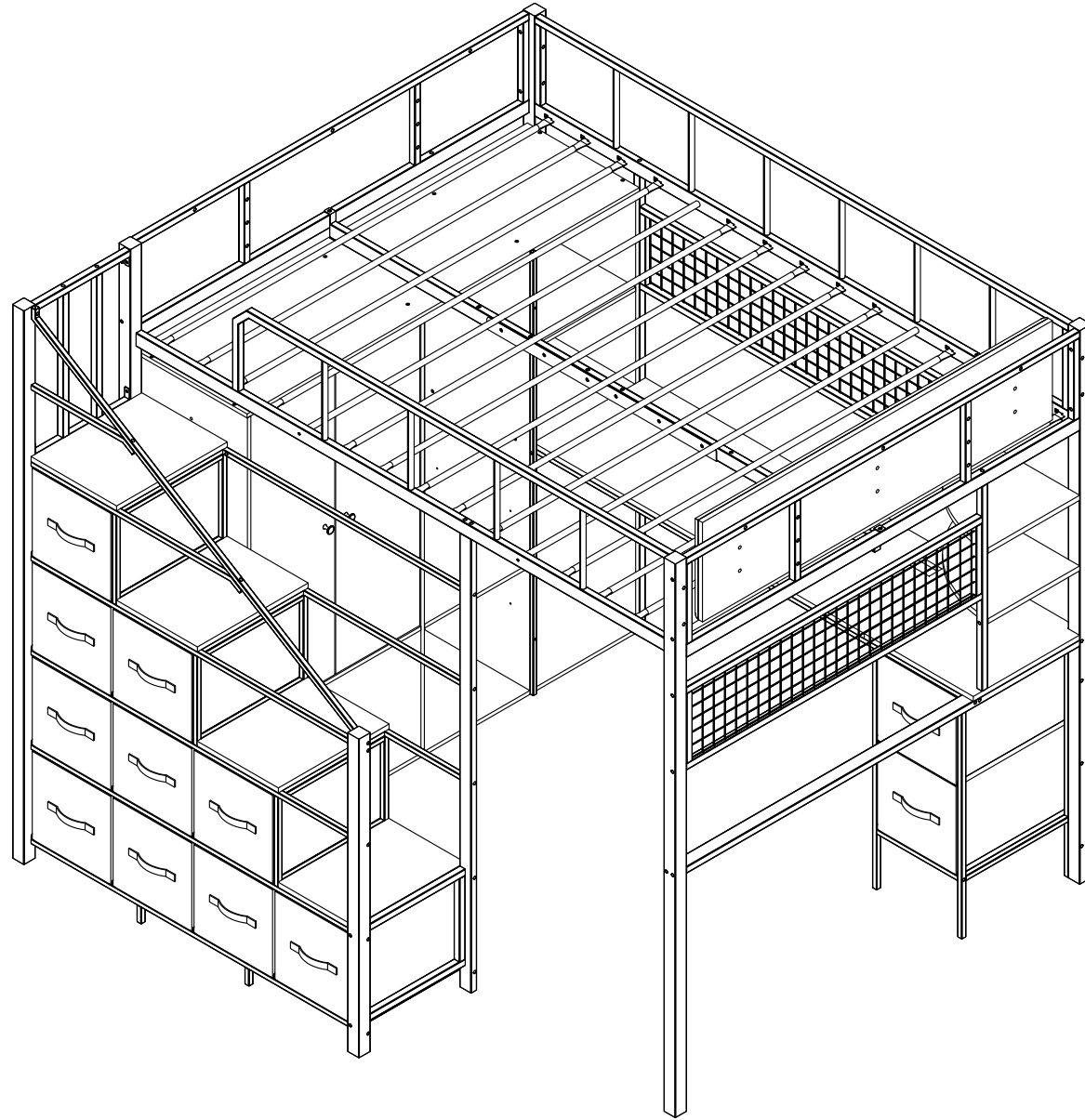
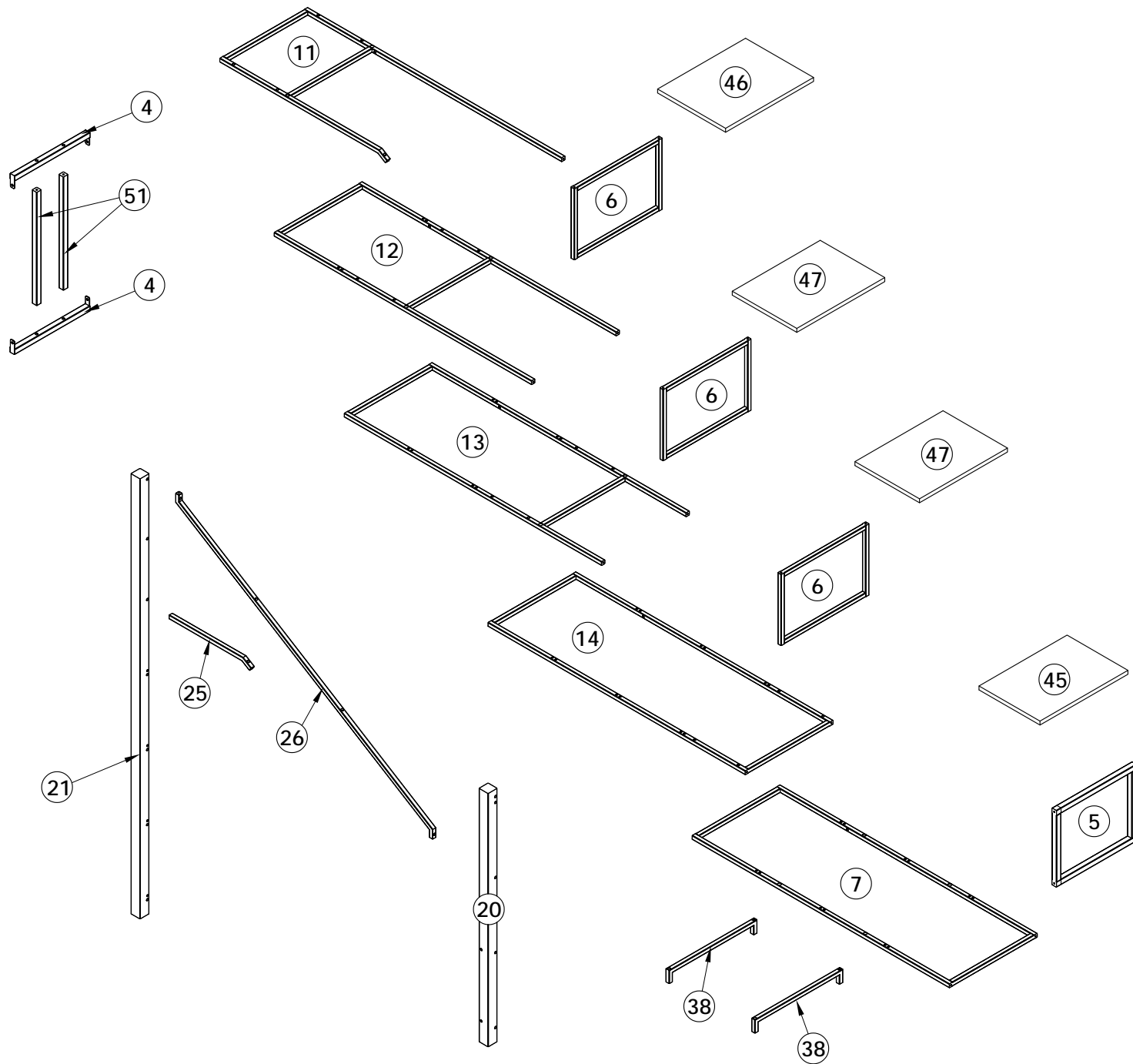
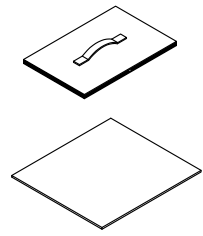
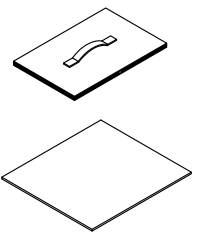



Full Size Manual

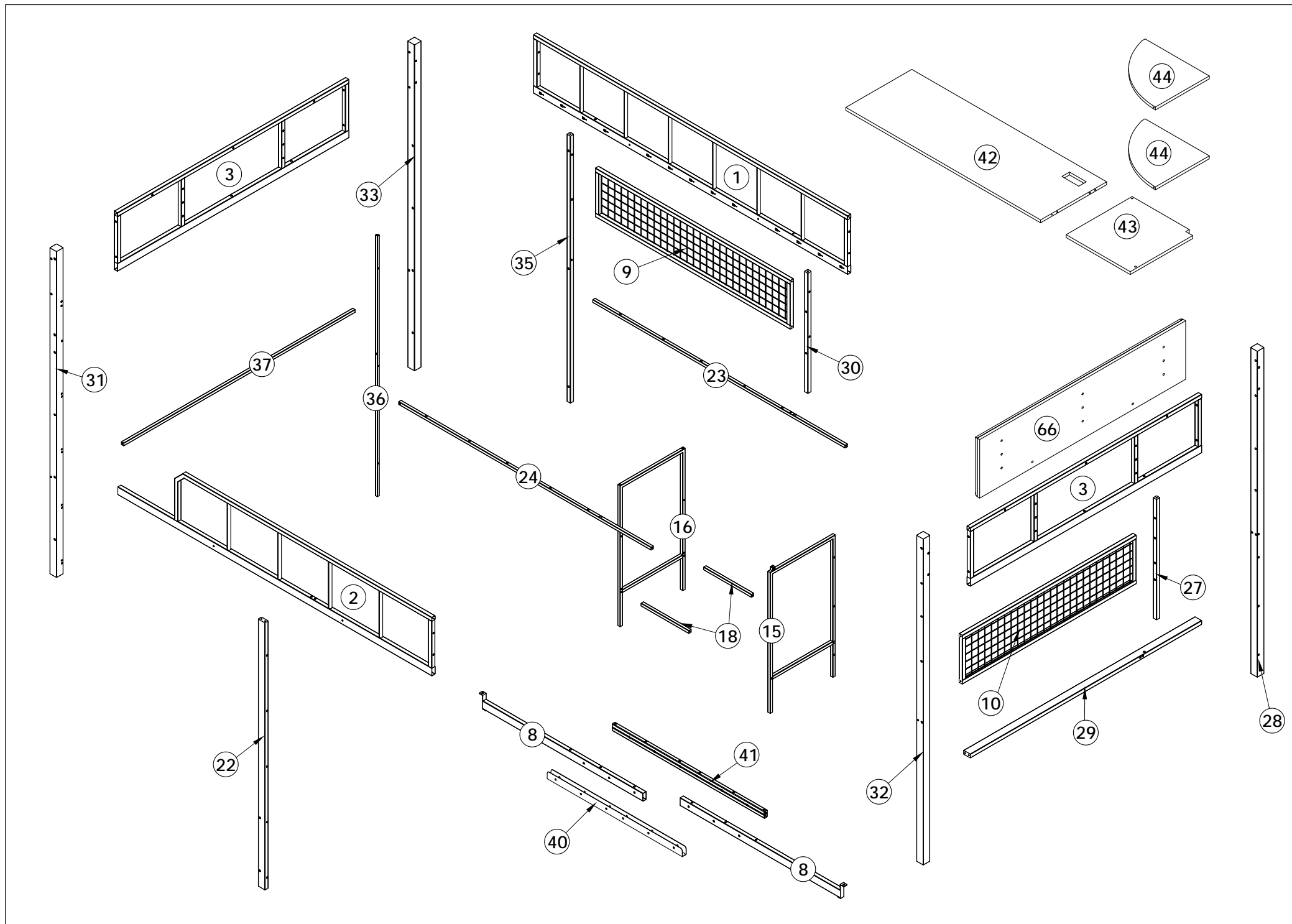


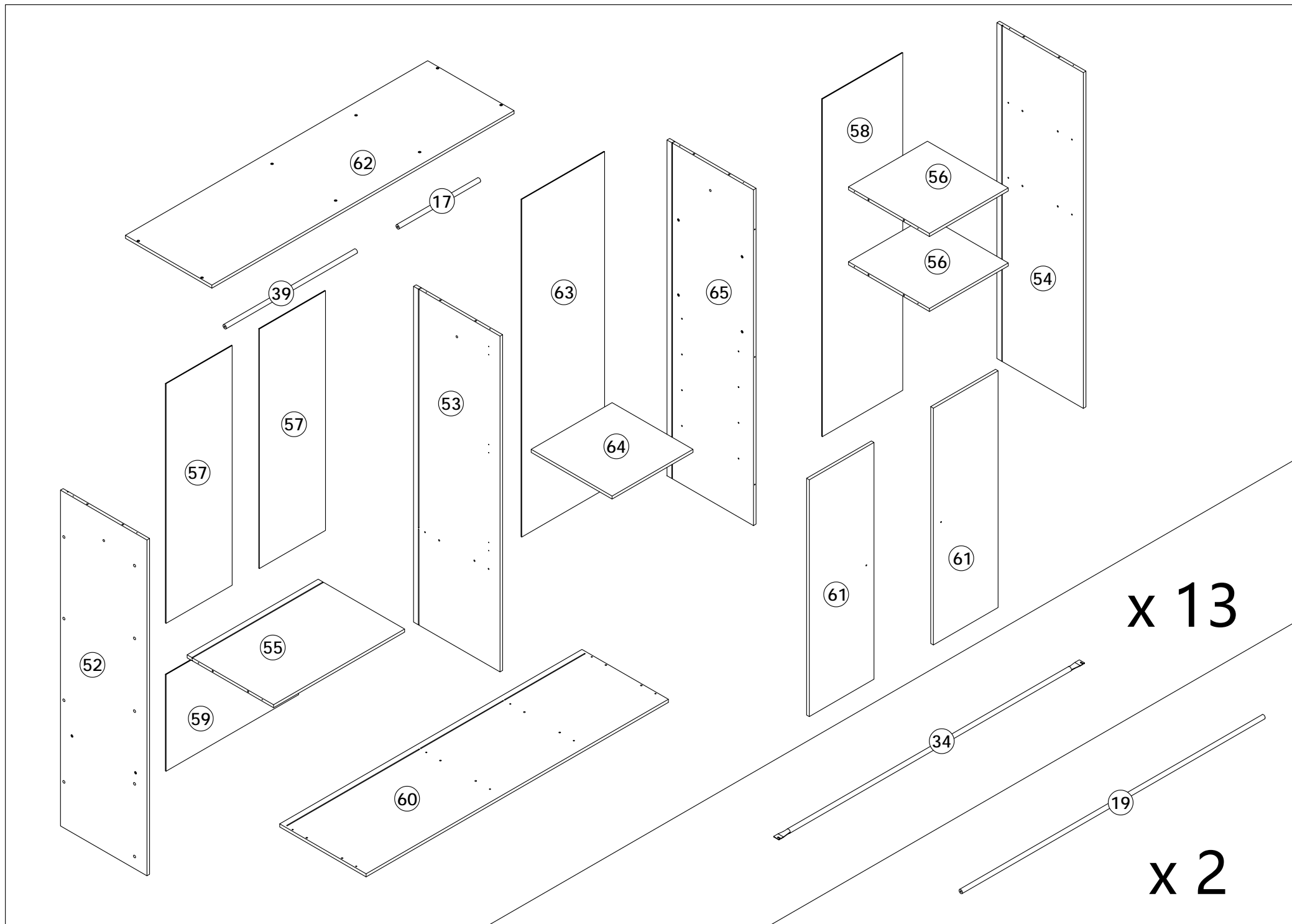



x 7


x 5

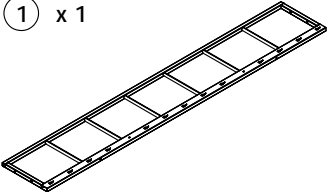
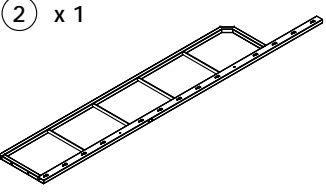
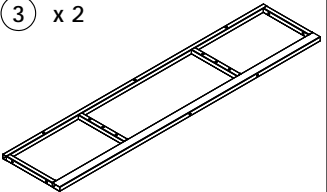
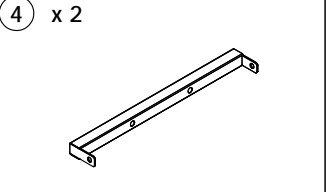
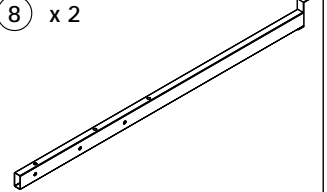
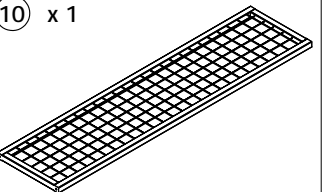
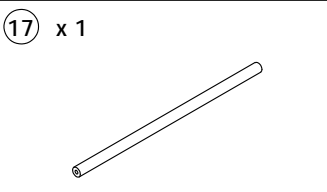
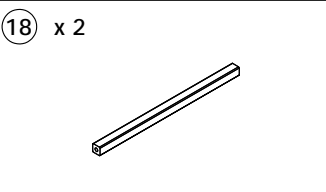
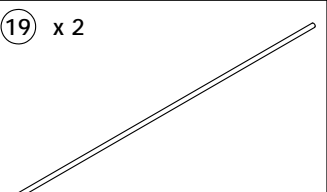
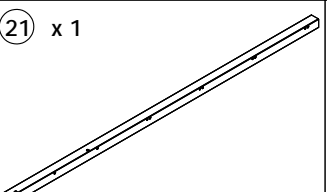
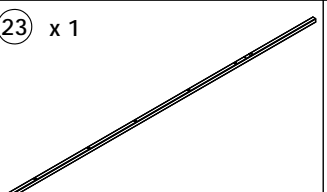
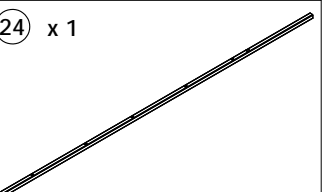
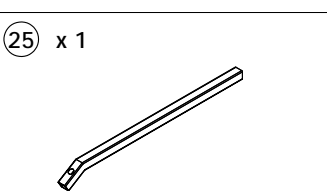
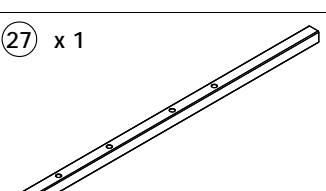
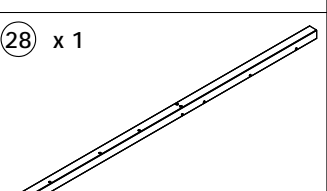
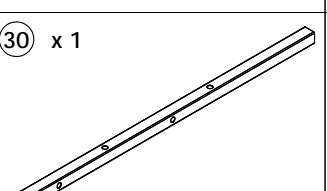
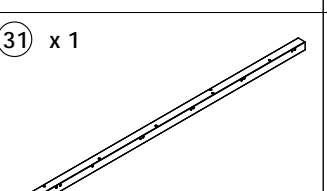
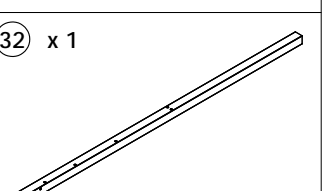
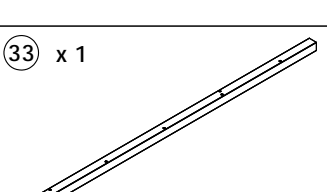
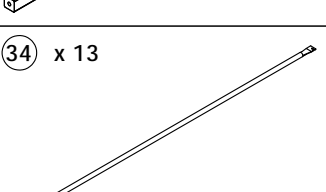
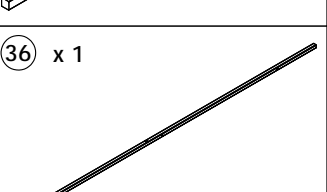
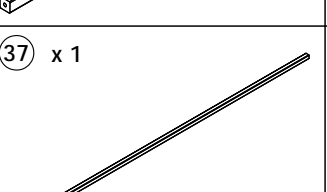
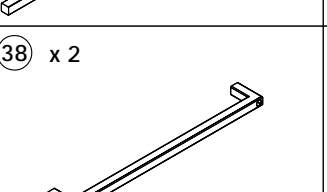
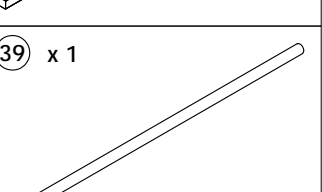
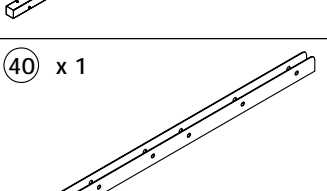
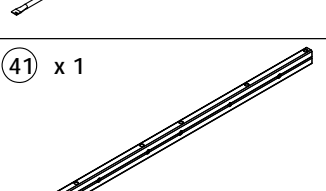
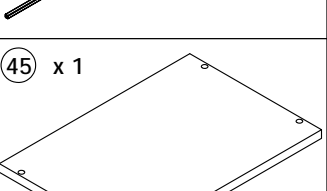
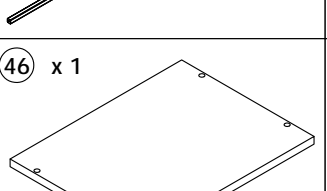
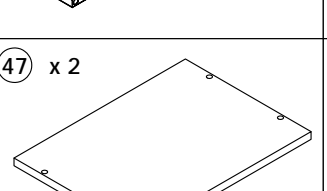
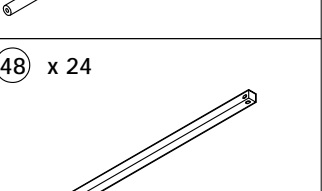
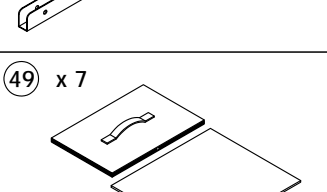
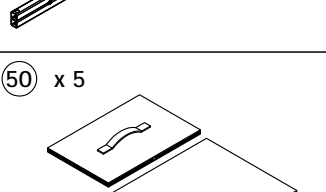
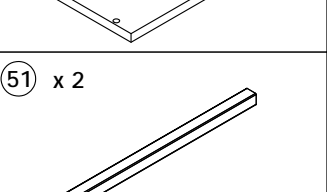
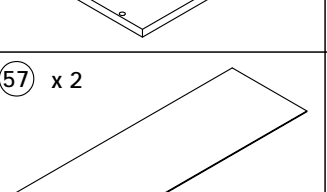
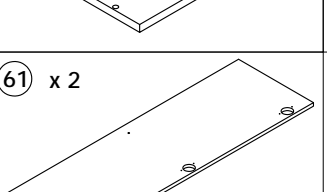

x 24

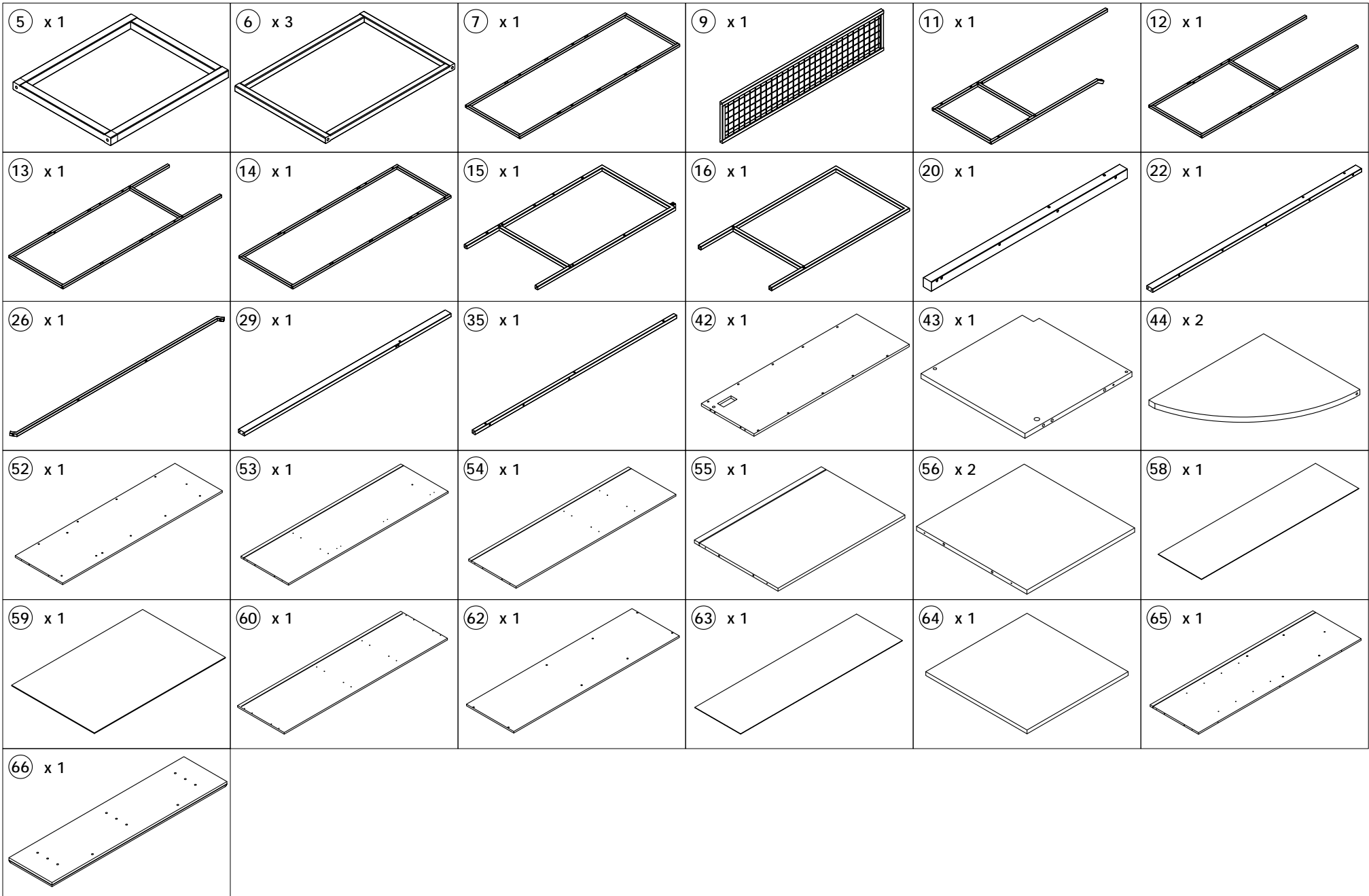






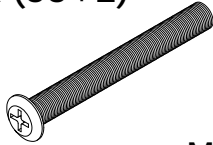
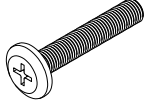
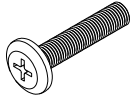
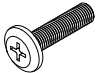
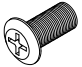
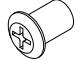

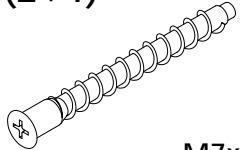


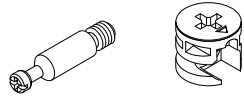
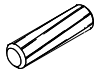

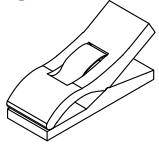
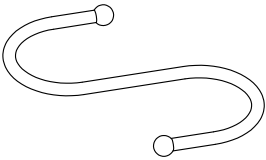
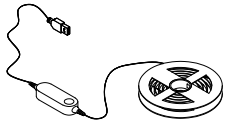
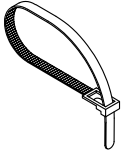
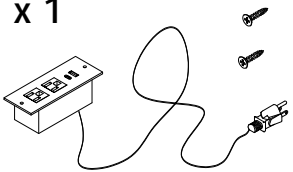
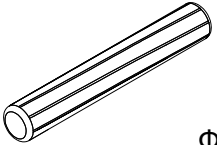
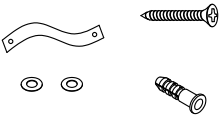
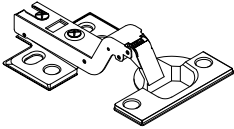
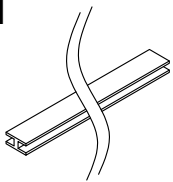
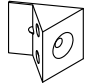
x 13

x 2

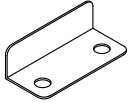
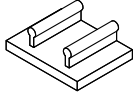
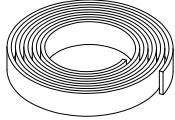


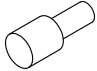
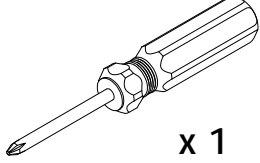
① x 1 	② x 1 	③ x 2 	④ x 2 	⑧ x 2 	⑩ x 1 
⑰ x 1 	⑱ x 2 	⑲ x 2 	⑳ x 1 	㉓ x 1 	㉔ x 1 
㉕ x 1 	㉗ x 1 	㉘ x 1 	㉚ x 1 	㉛ x 1 	㉜ x 1 
㉞ x 1 	㉟ x 13 	㉫ x 1 	㉬ x 1 	㉭ x 2 	㉮ x 1 
㉰ x 1 	㉲ x 1 	㉴ x 1 	㉶ x 1 	㉷ x 2 	㉸ x 24 
㉹ x 7 	㉺ x 5 	㉻ x 2 	㉽ x 2 	㉾ x 2 	



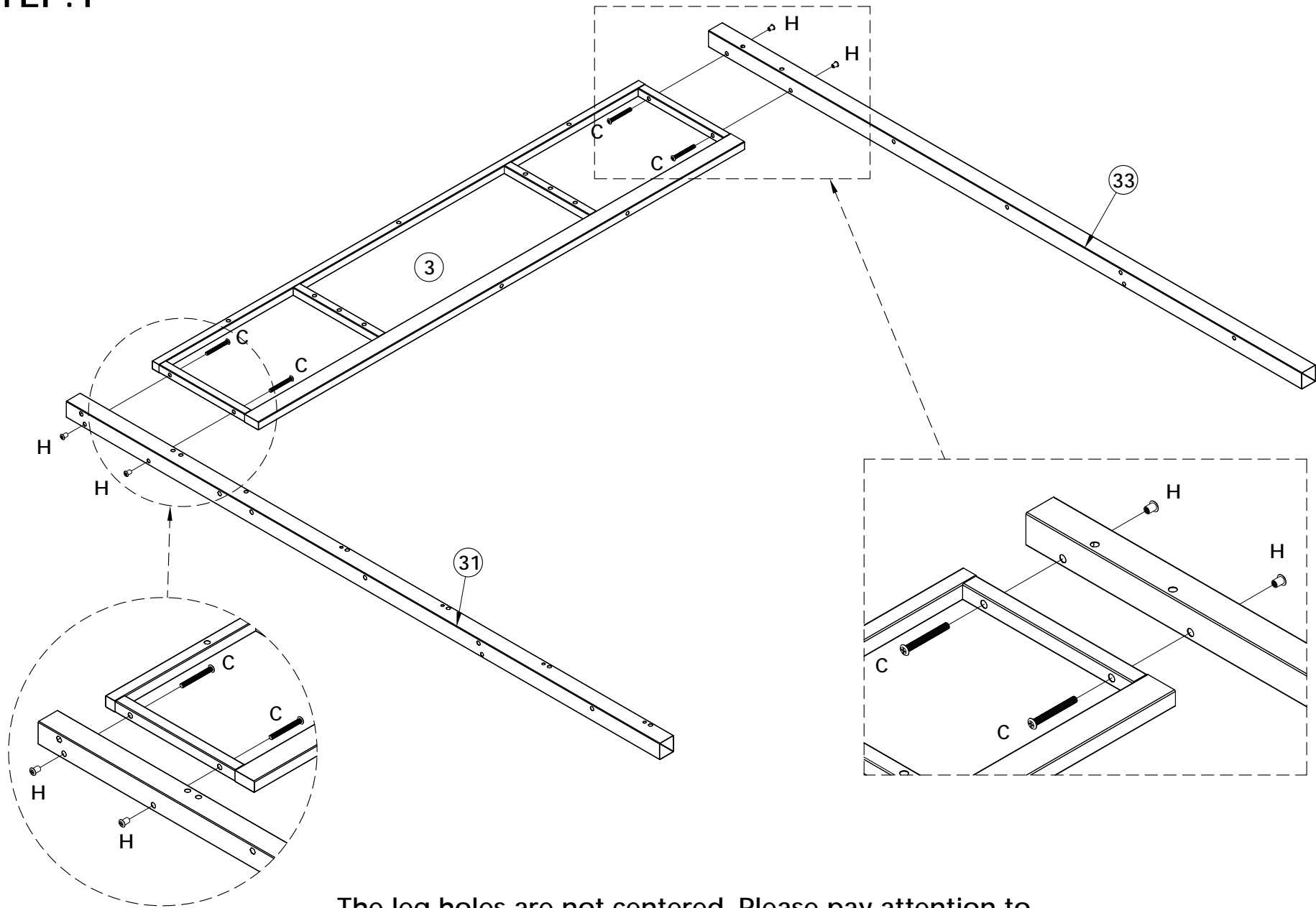
Hardware

<p>A x (6+1)</p>  <p>M6x50</p>	<p>B x (8+1)</p>  <p>M6x45</p>	<p>C x (55+2)</p>  <p>M6x55</p>	<p>D x (45+2)</p>  <p>M6x35</p>	<p>E x (5+1)</p>  <p>M6x30</p>
<p>F x (41+2)</p>  <p>M6x25</p>	<p>G x (10+1)</p>  <p>M6x15</p>	<p>H x (37+2)</p>  <p>M6x15</p>	<p>I x 2</p> 	<p>J x (2+1)</p>  <p>M7x70</p>
<p>K x (31+2)</p>  <p>M5x40</p>	<p>L x (48+2)</p>  <p>M4x12</p>	<p>M x 2</p> 	<p>N x (28+2)</p>  <p>Φ6x30</p>	<p>O x (64+2)</p>  <p>Φ3.5x12</p>
<p>P x 5</p> 	<p>Q x 5</p> 	<p>R x 1</p> 	<p>S x (4+2)</p> 	<p>T x 1</p> 
<p>U x (2+1)</p>  <p>Φ8x60</p>	<p>V x 2</p> 	<p>W x 6</p> 	<p>X x 1</p> 	<p>Y x 26</p> 

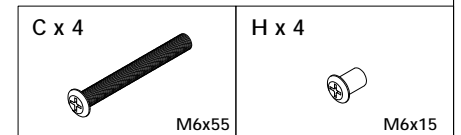
Hardware

<p>Z x 1</p> 	<p>AA x (26+2)</p> 	<p>BB x 1</p> 	<p>CC x (4+1)</p>  <p>M7x50</p>	<p>DD x 1</p> 
<p>EE x 4</p> 	 <p>x 1</p>			

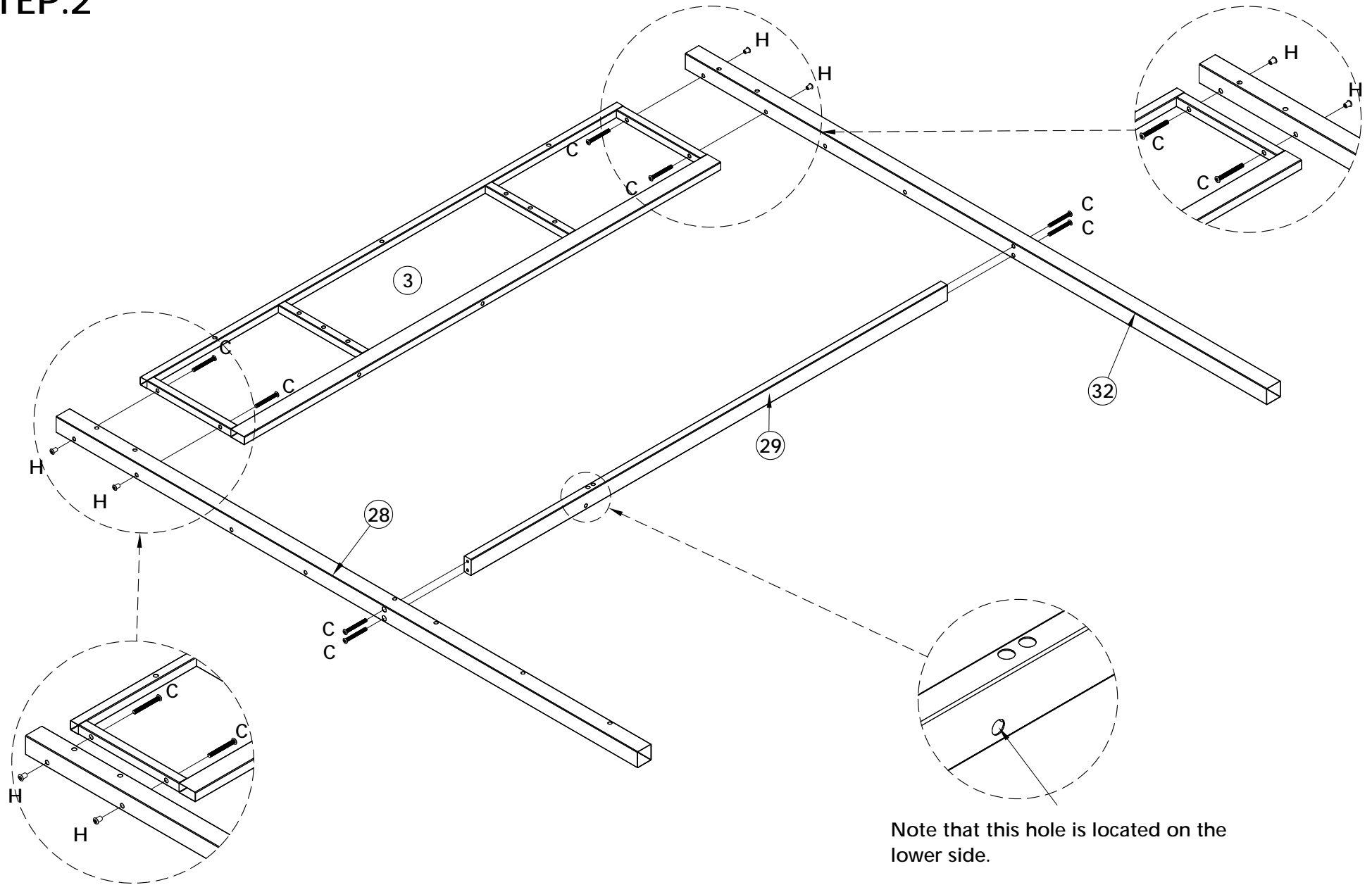
STEP:1





The leg holes are not centered. Please pay attention to assemble according to the instructions.



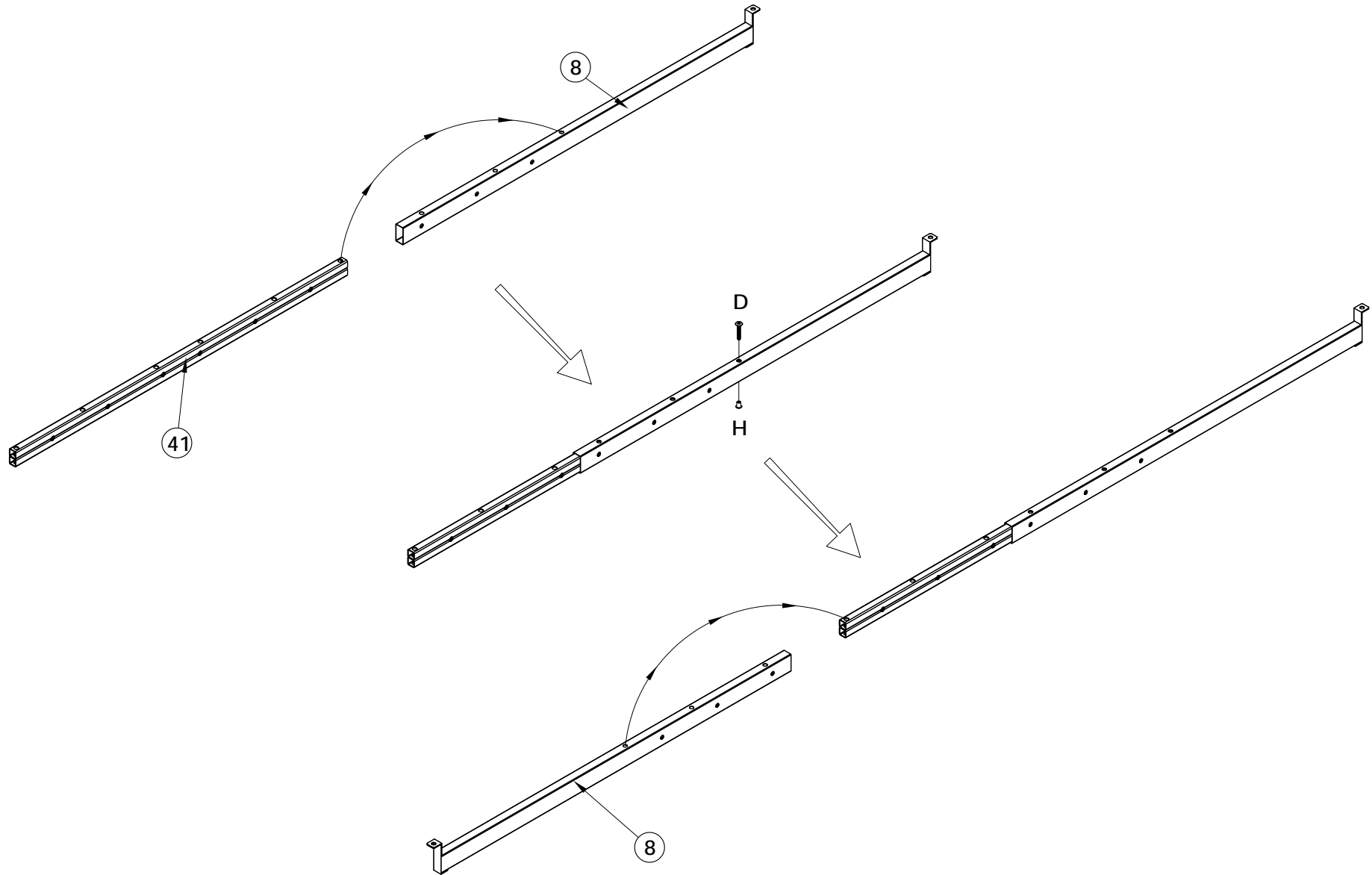
STEP:2





The leg holes are not centered. Please pay attention to assemble according to the instructions.

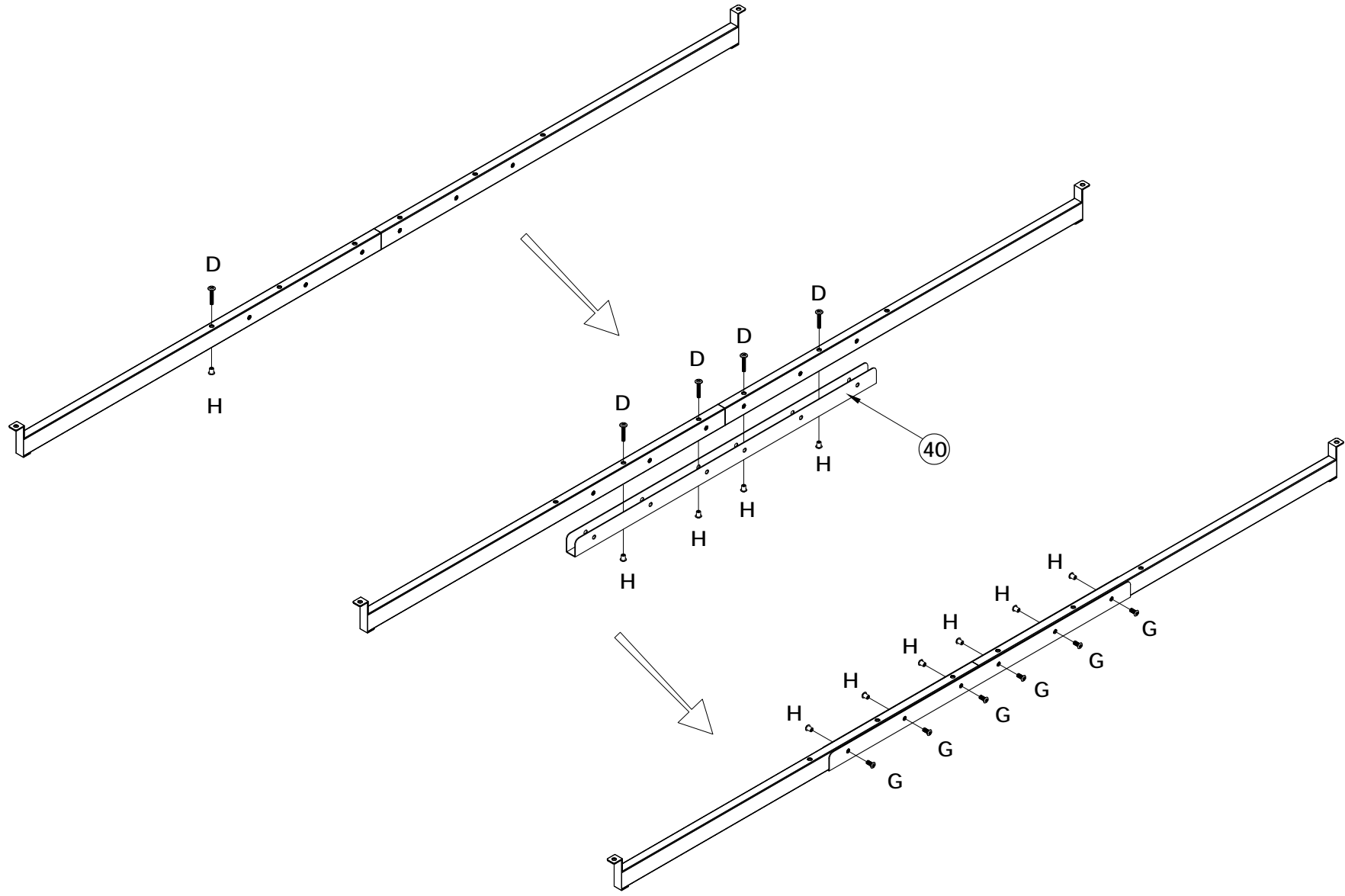
C x 8  M6x55	H x 4  M6x15
---	---




STEP:4



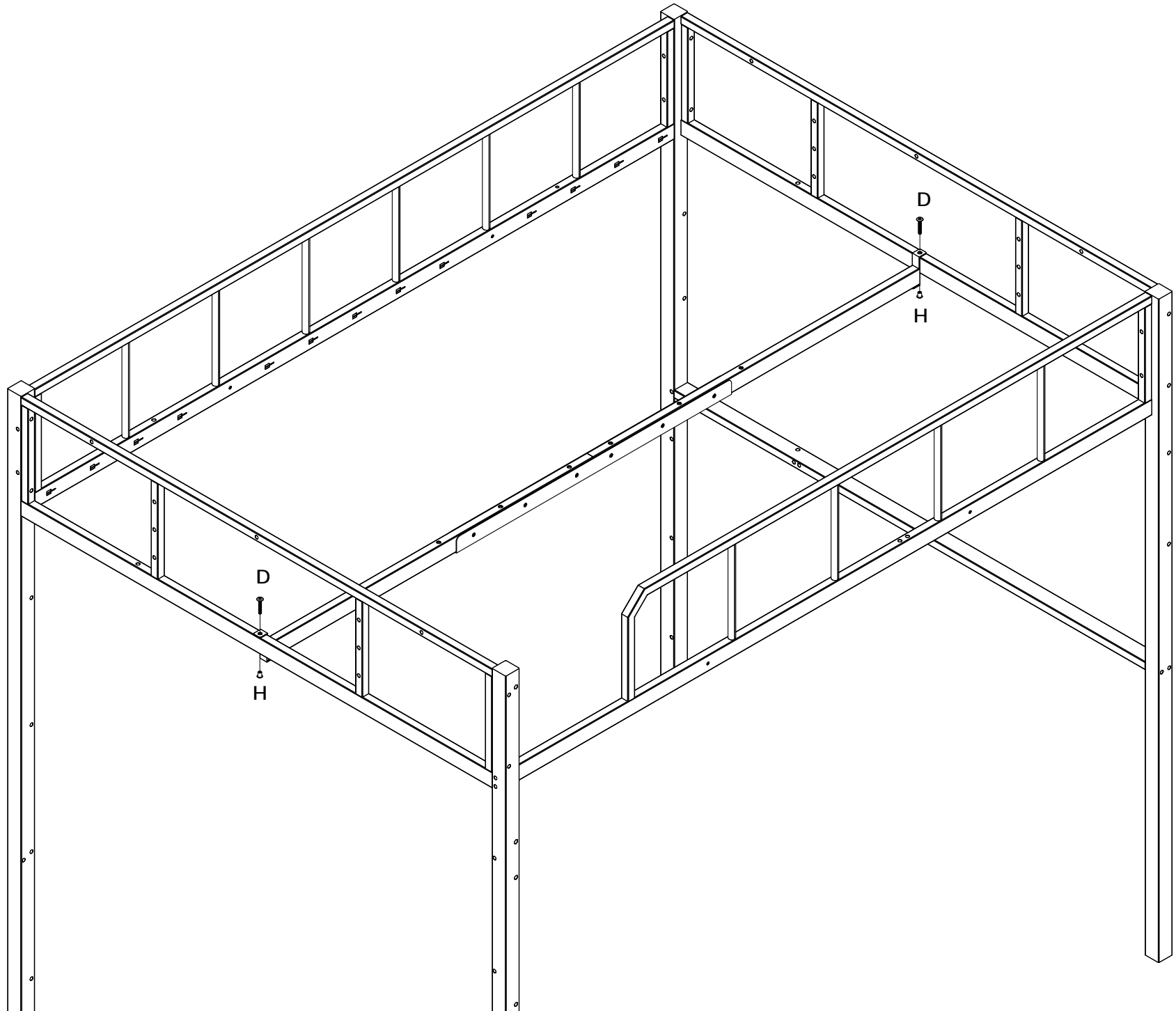
<p>D x 1</p>  <p>M6x35</p>	<p>H x 1</p>  <p>M6x15</p>
--	--



STEP:5



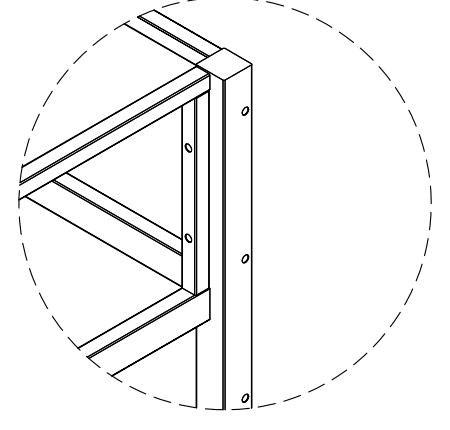
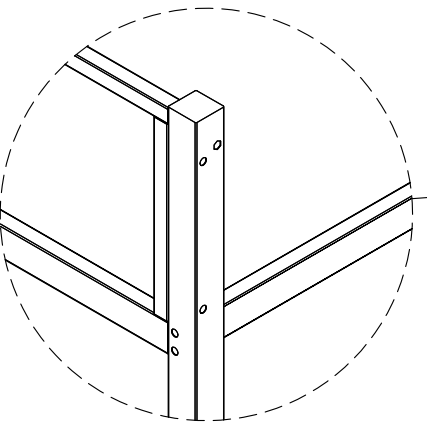
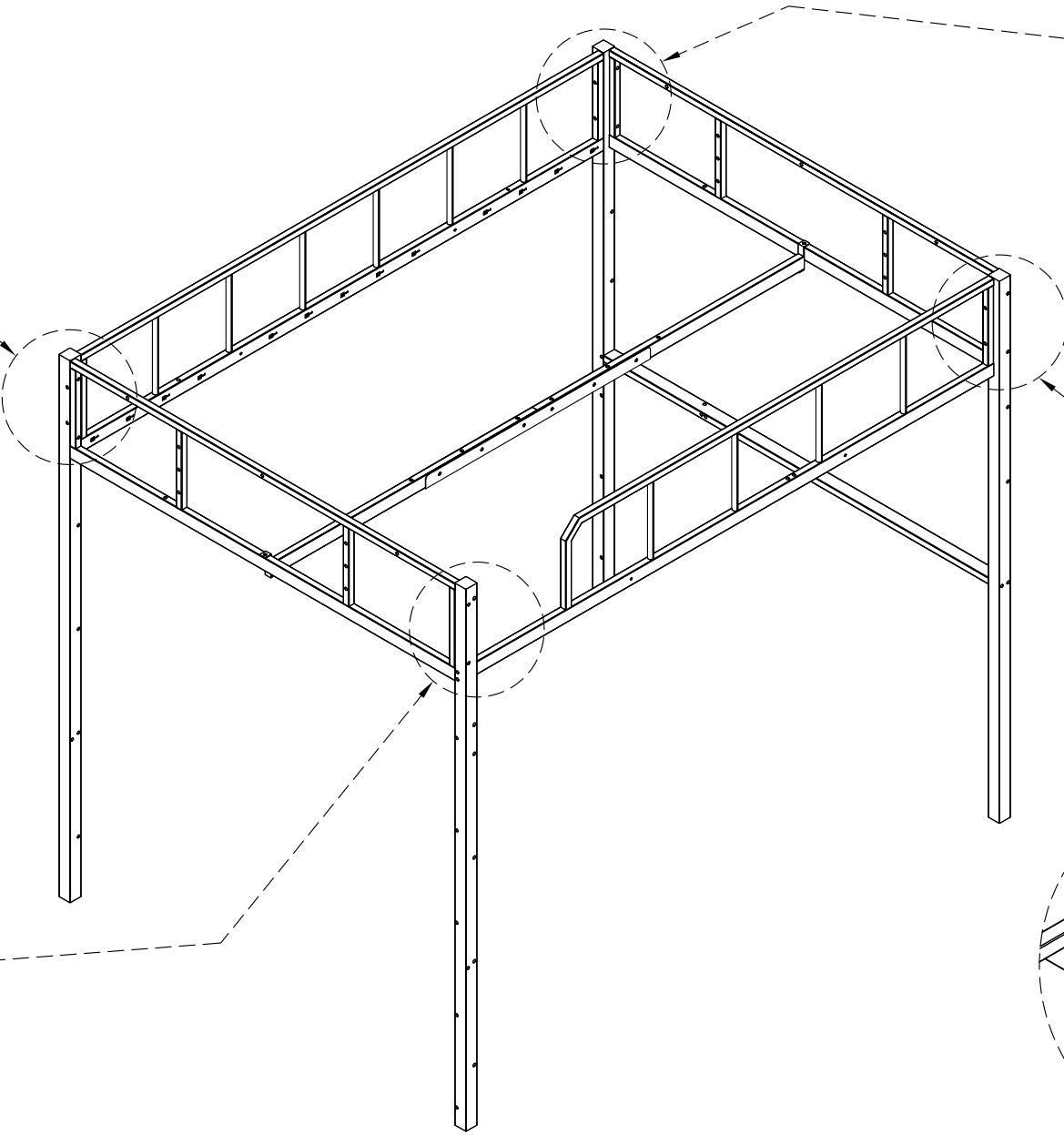
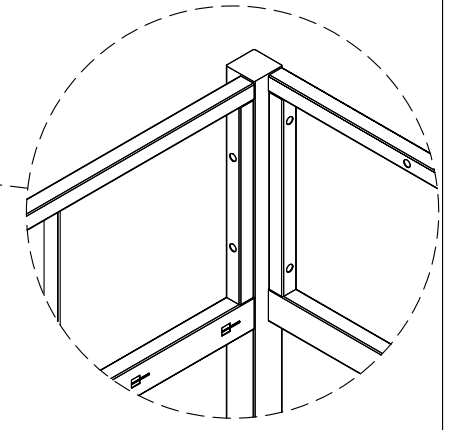
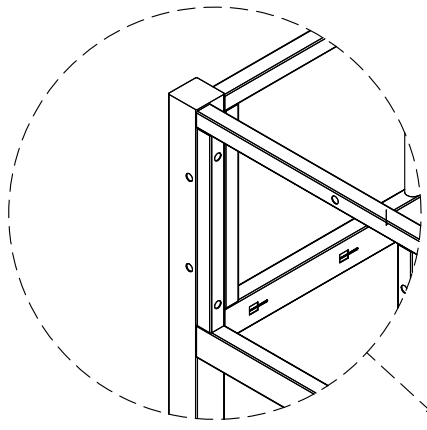
<p>D x 5</p>  <p>M6x35</p>	<p>G x 6</p>  <p>M6x15</p>	<p>H x 11</p>  <p>M6x15</p>
---	---	--

STEP:6

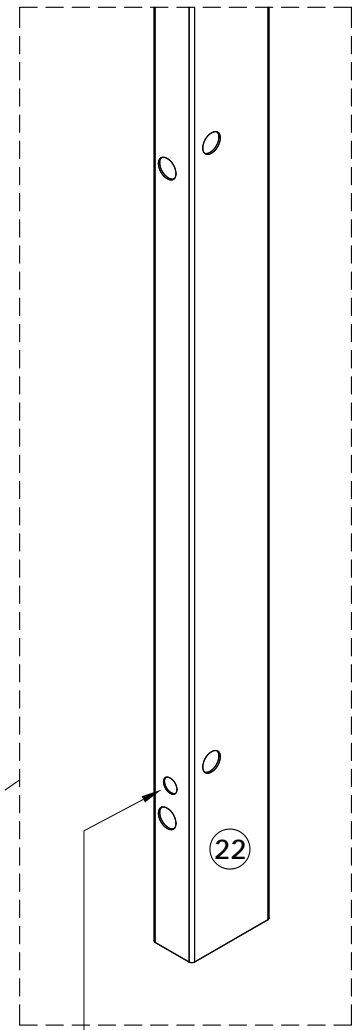
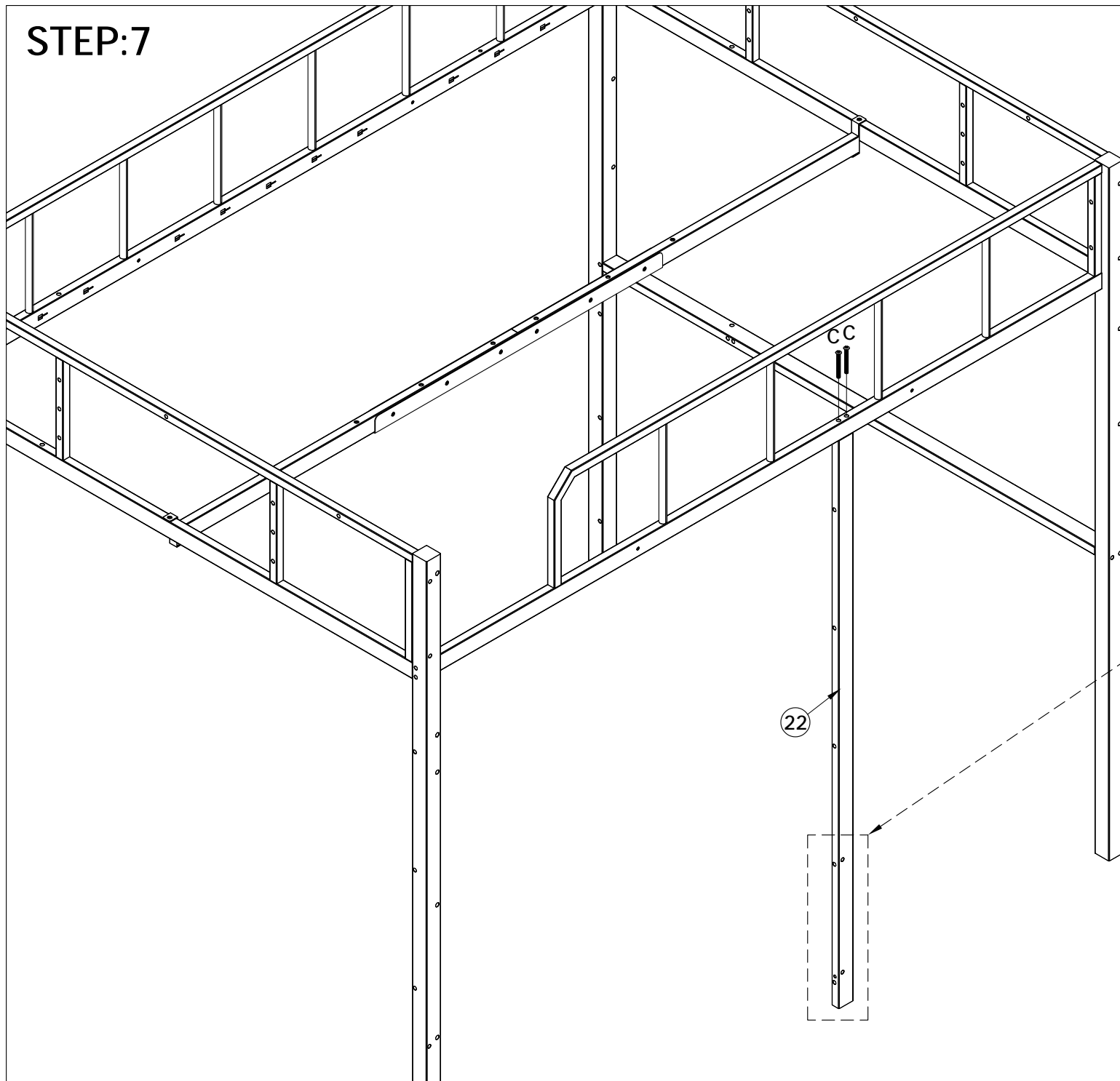


D x 2		M6x35
H x 2		M6x15

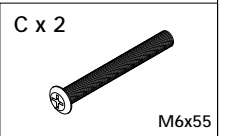
Please check if the assembly is correct by referring to the detailed diagram.



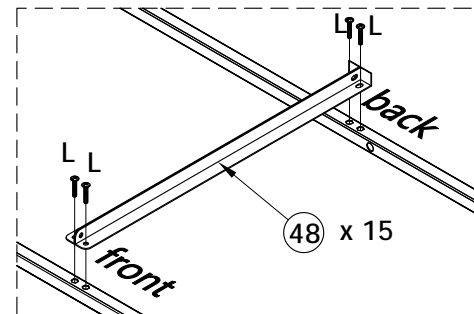
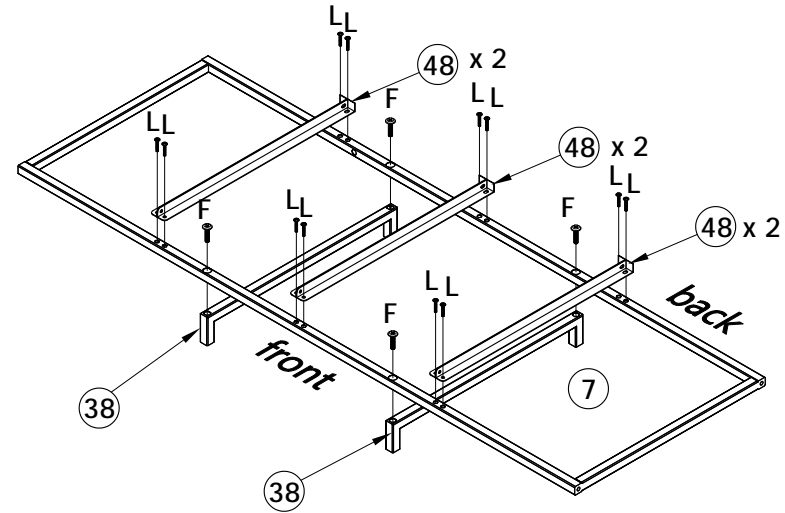
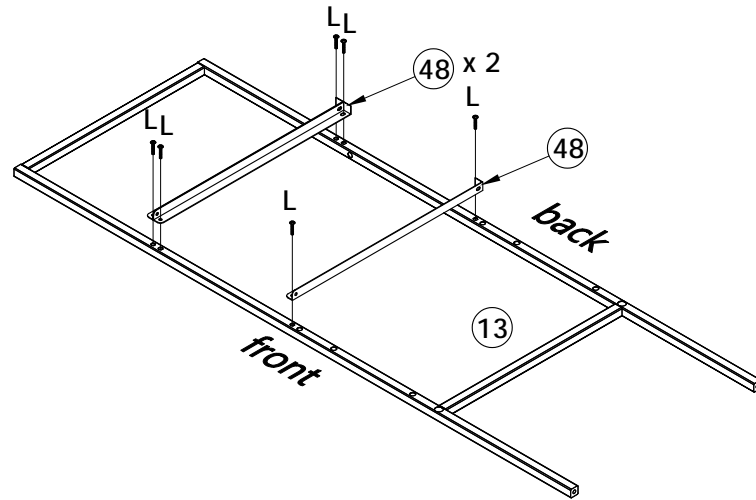
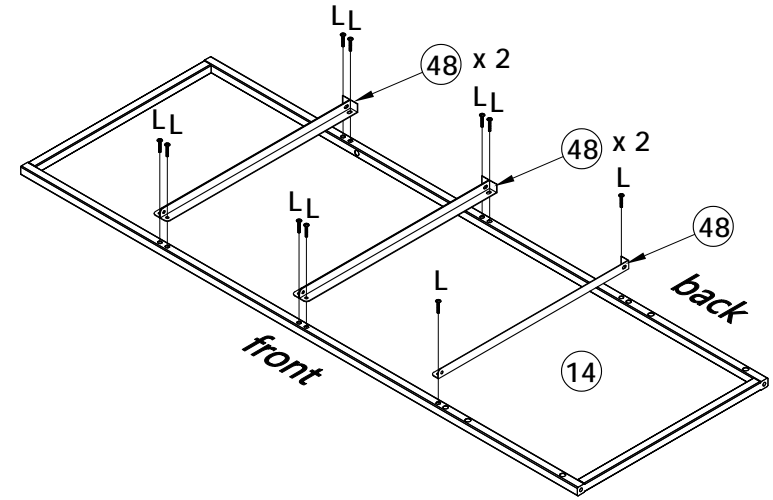
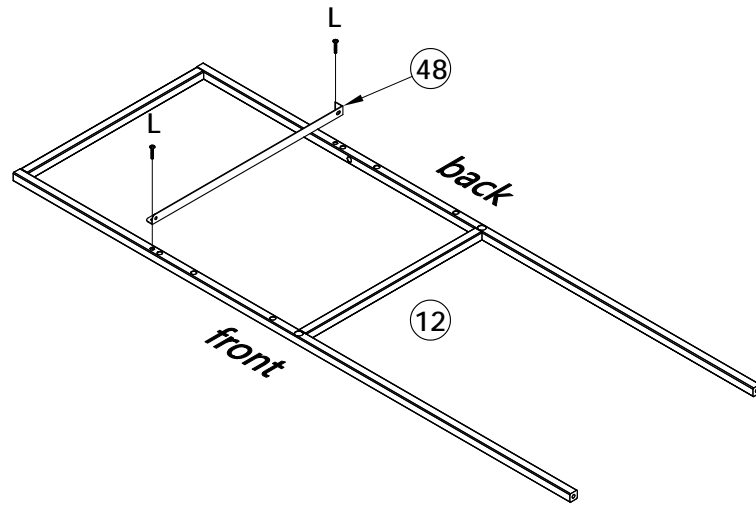
STEP:7



Note that the impermeable hole faces to the left.



STEP:8



F x 4



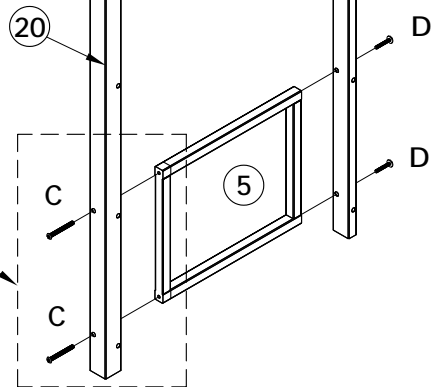
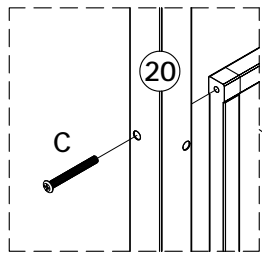
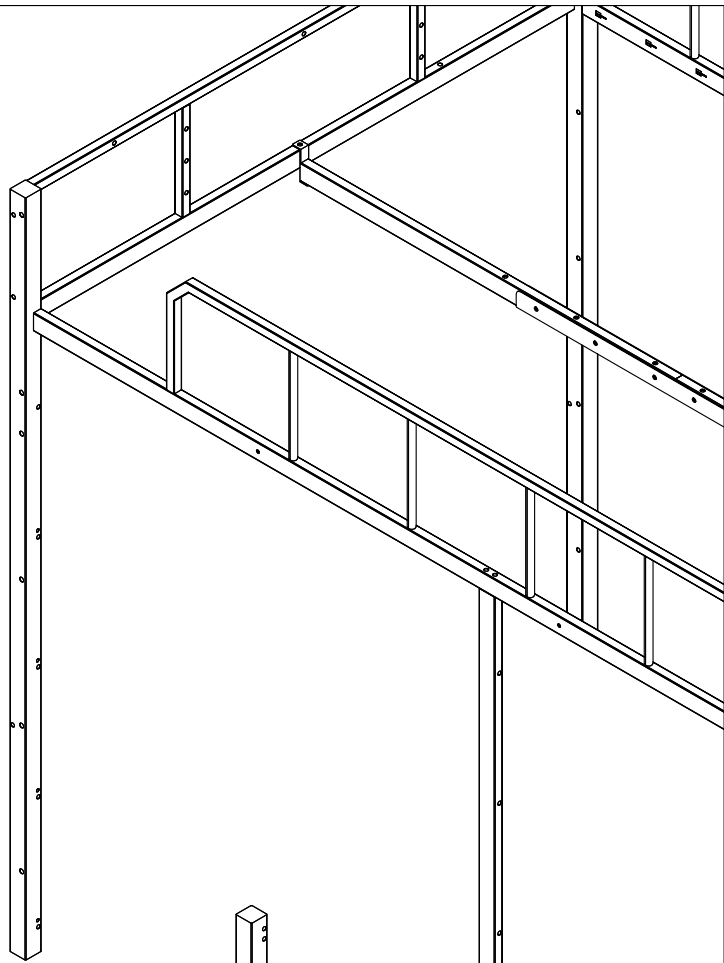
M6x25

L x 30



M4x12

STEP:9



C x 2



M6x55

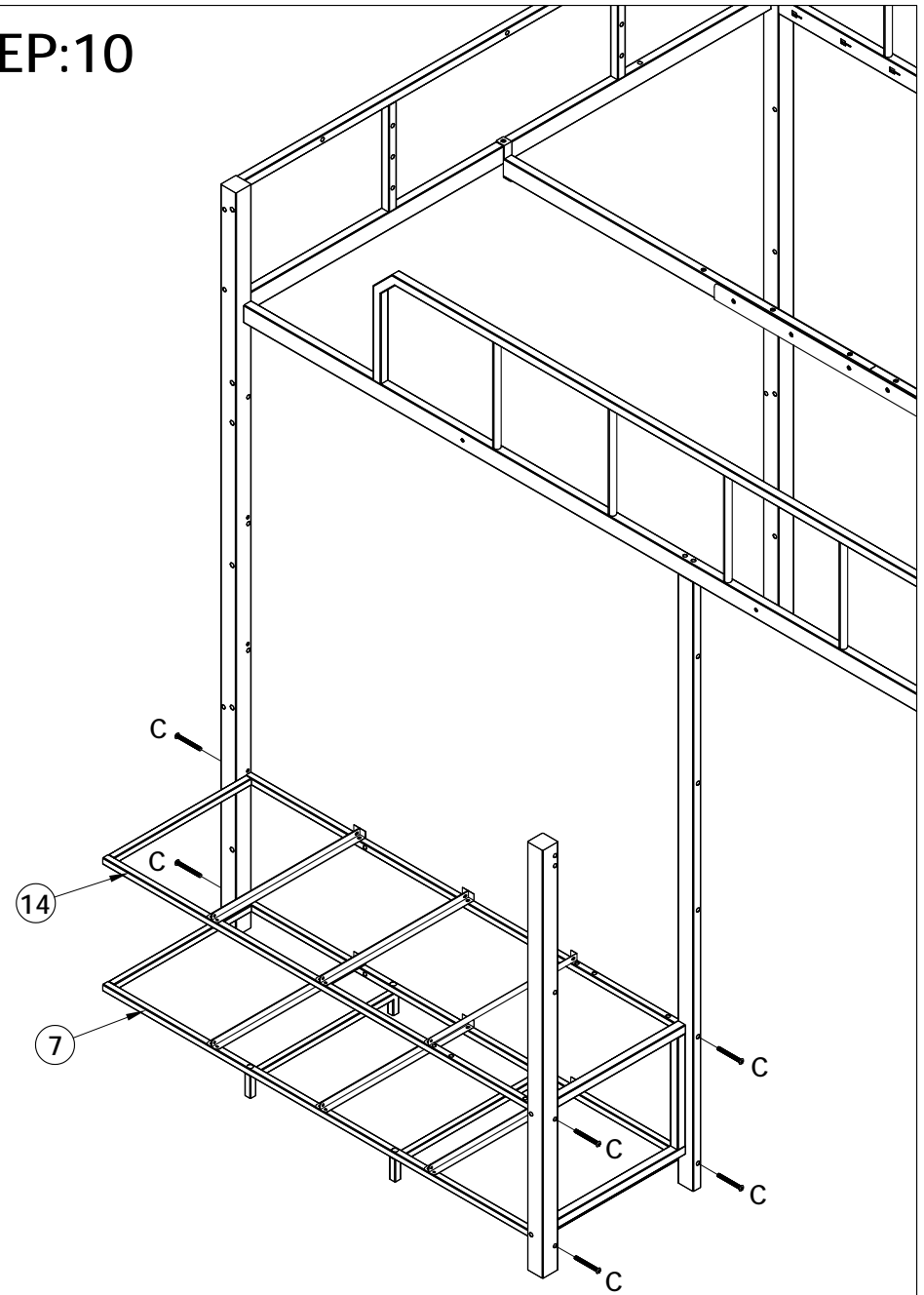
D x 2



M6x35

Pay attention to the hole orientation of the component 20.

STEP:10

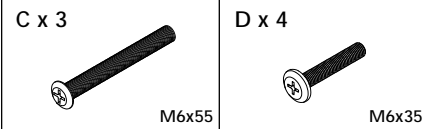
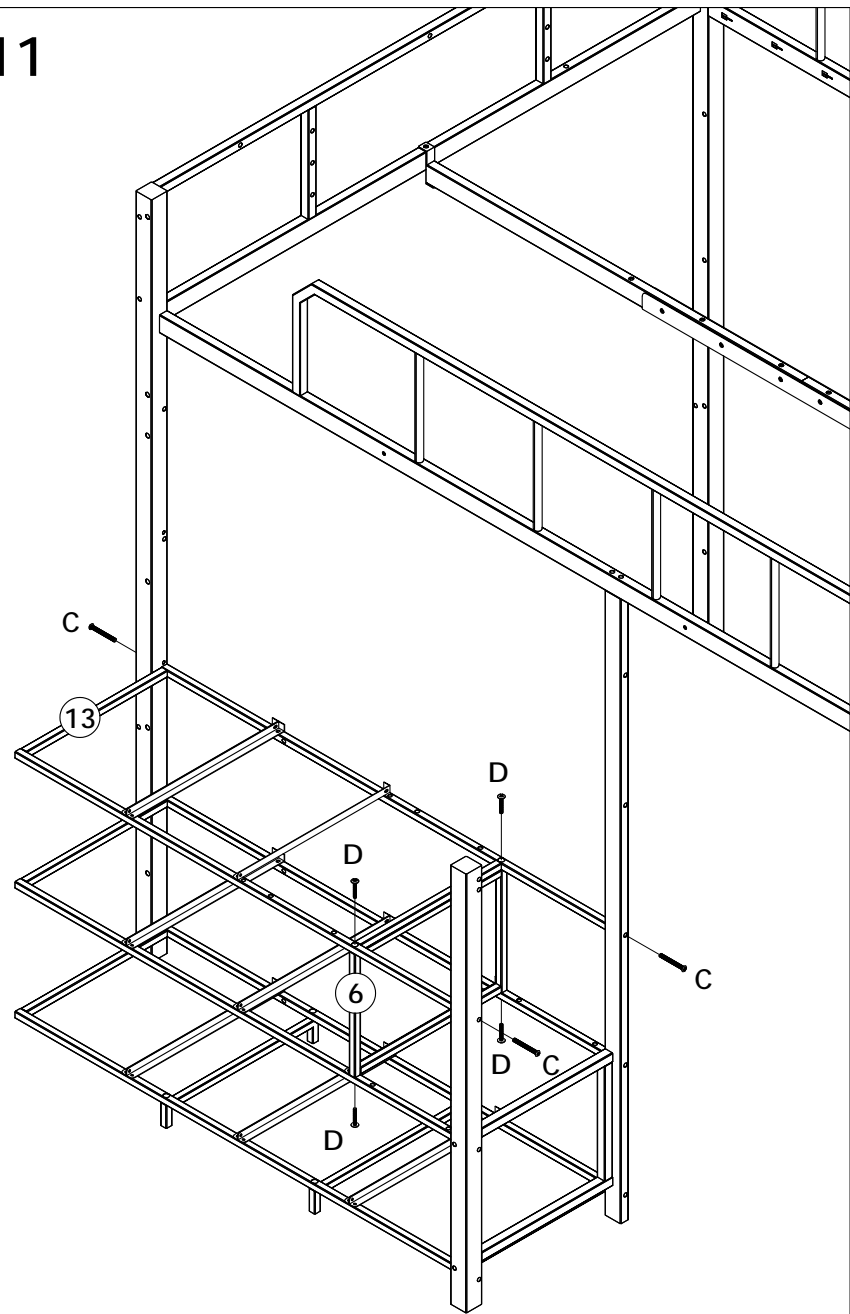


C x 6

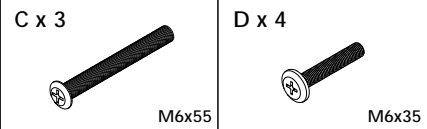
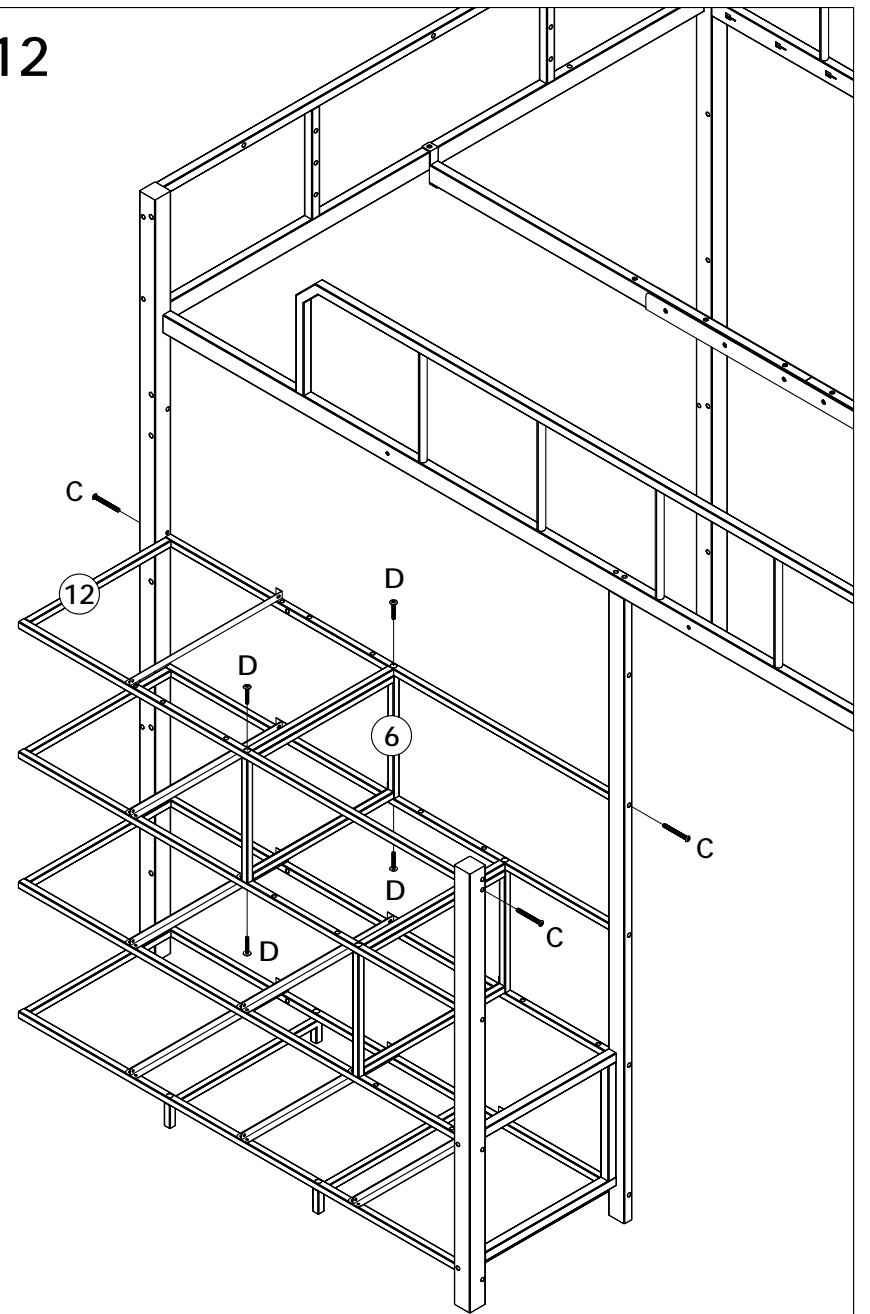


M6x55

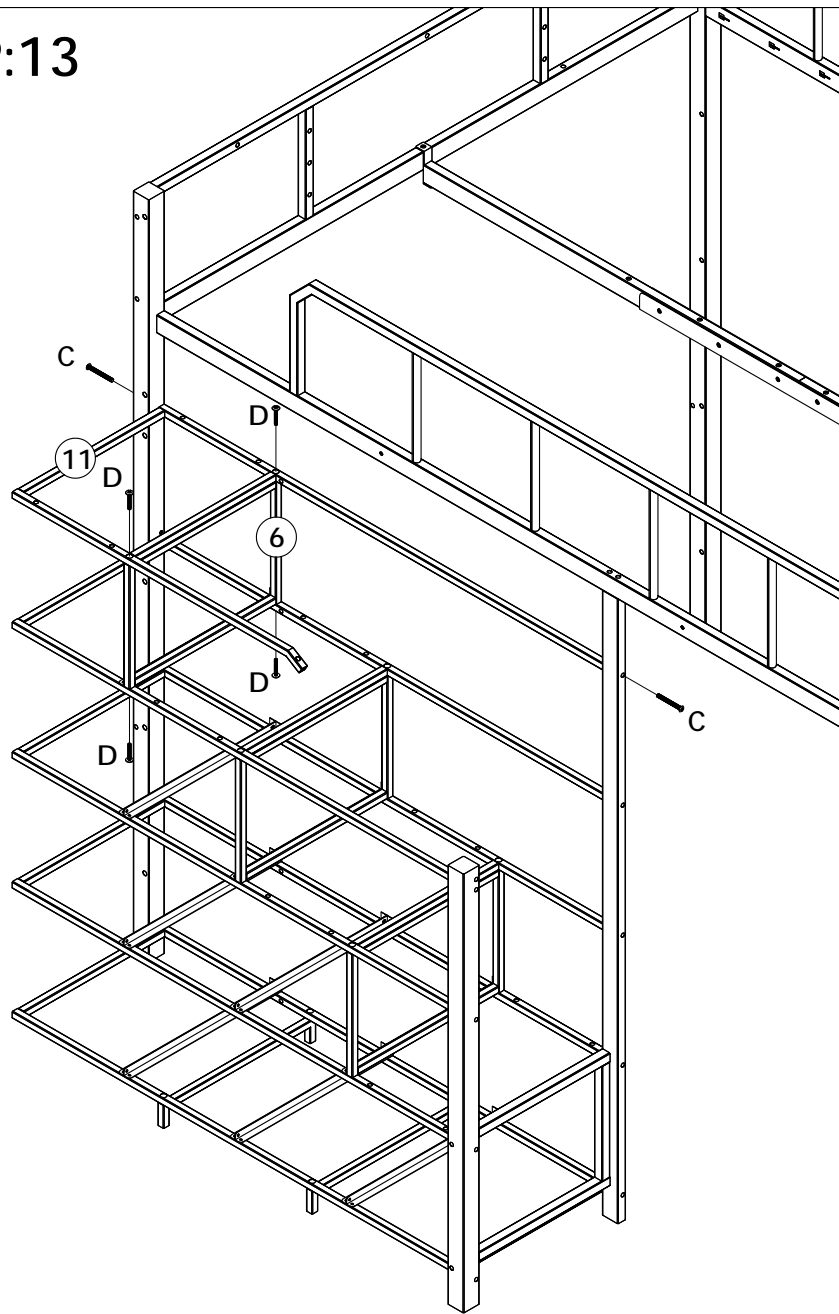
STEP:11



STEP:12



STEP:13



C x 2



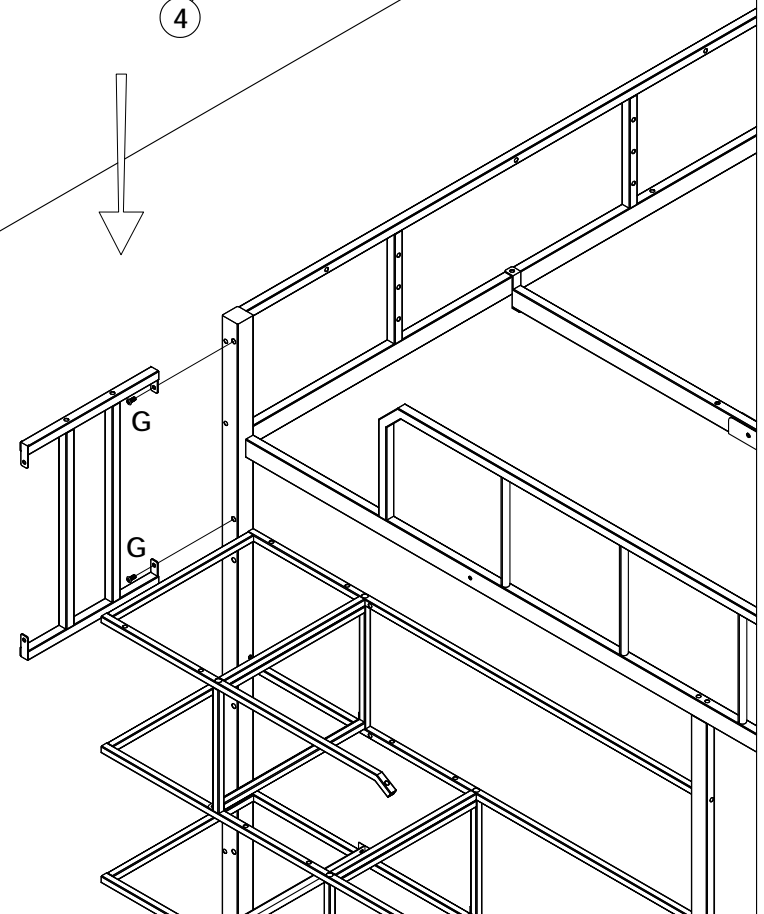
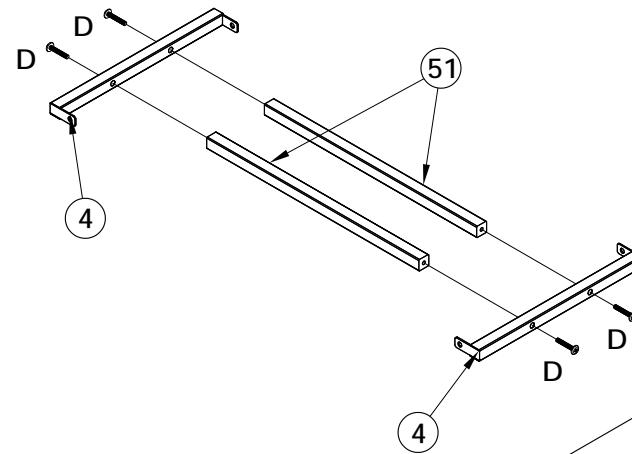
M6x55

D x 4



M6x35

STEP:14



D x 4



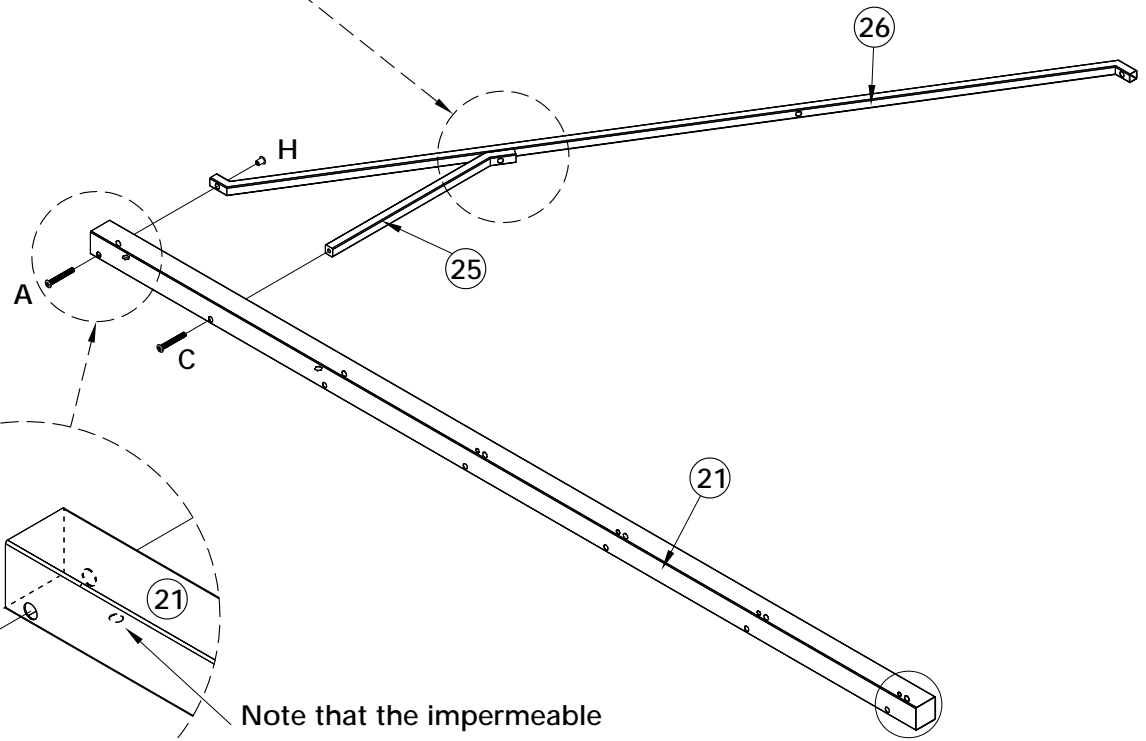
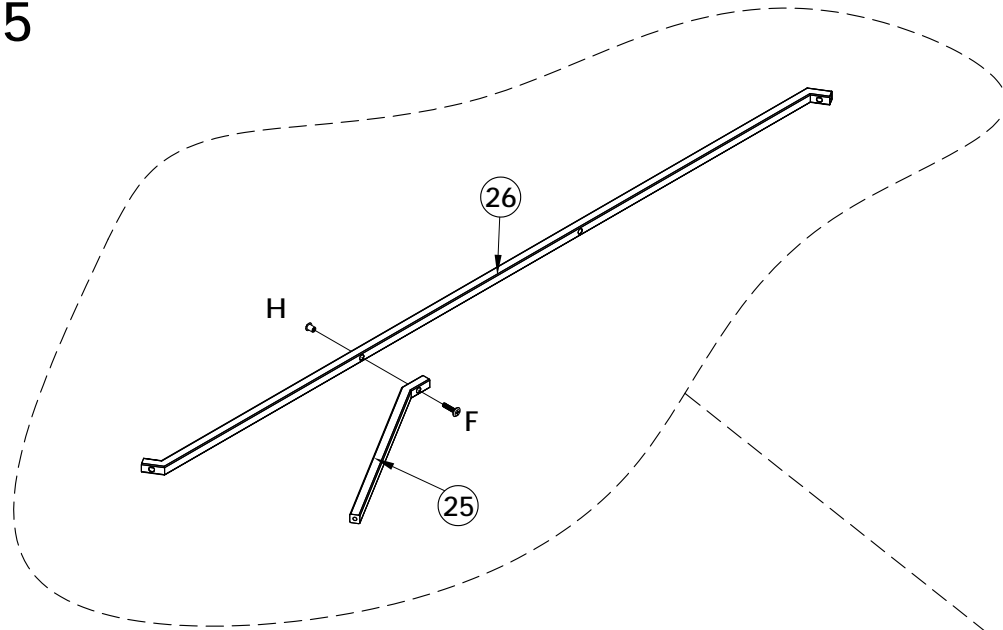
M6x35





G x 2



M6x15

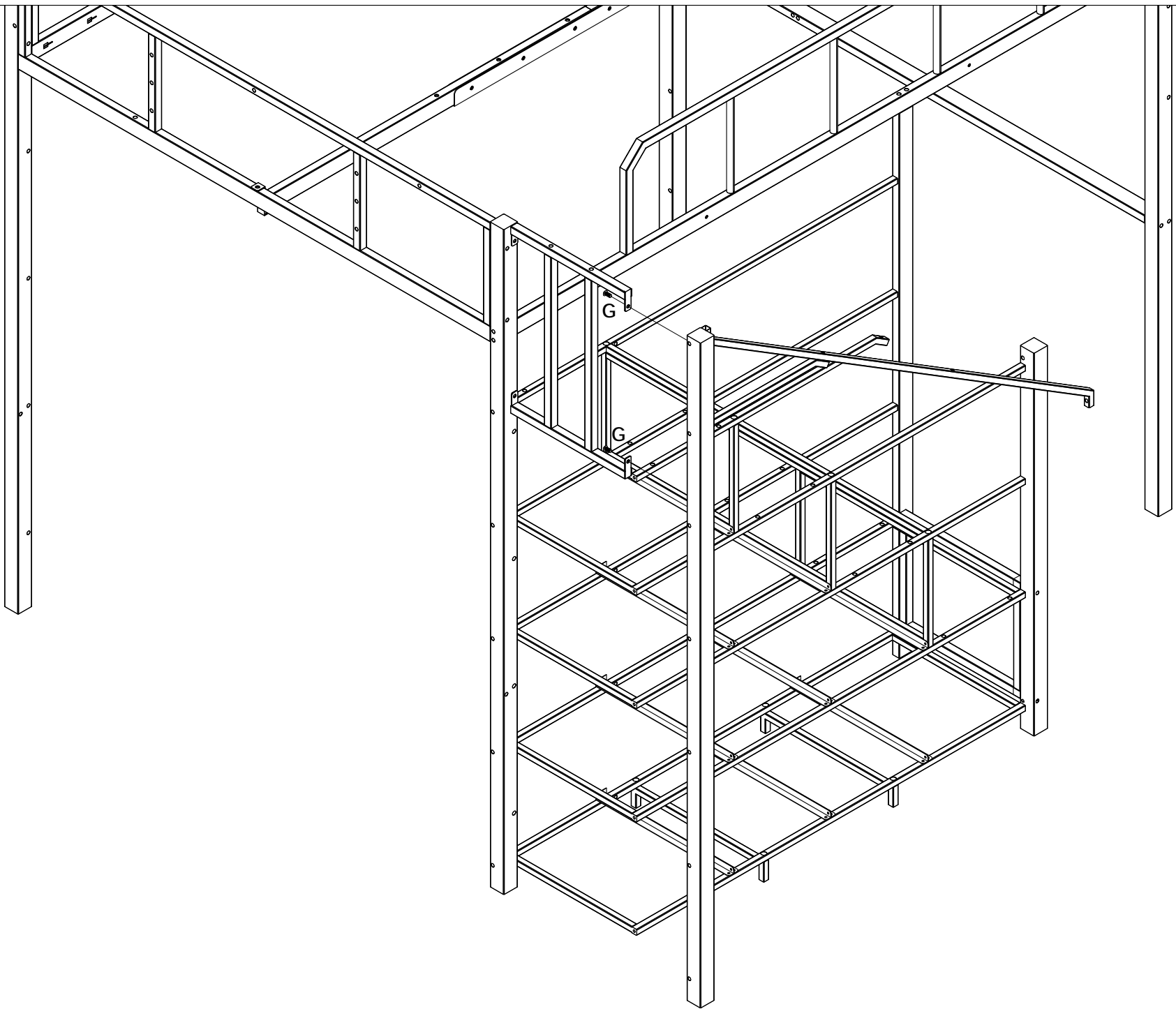
STEP:15



A x 1  M6x50	C x 1  M6x55
F x 1  M6x25	H x 2  M6x15

Note that the impermeable holes face downward.

STEP:16

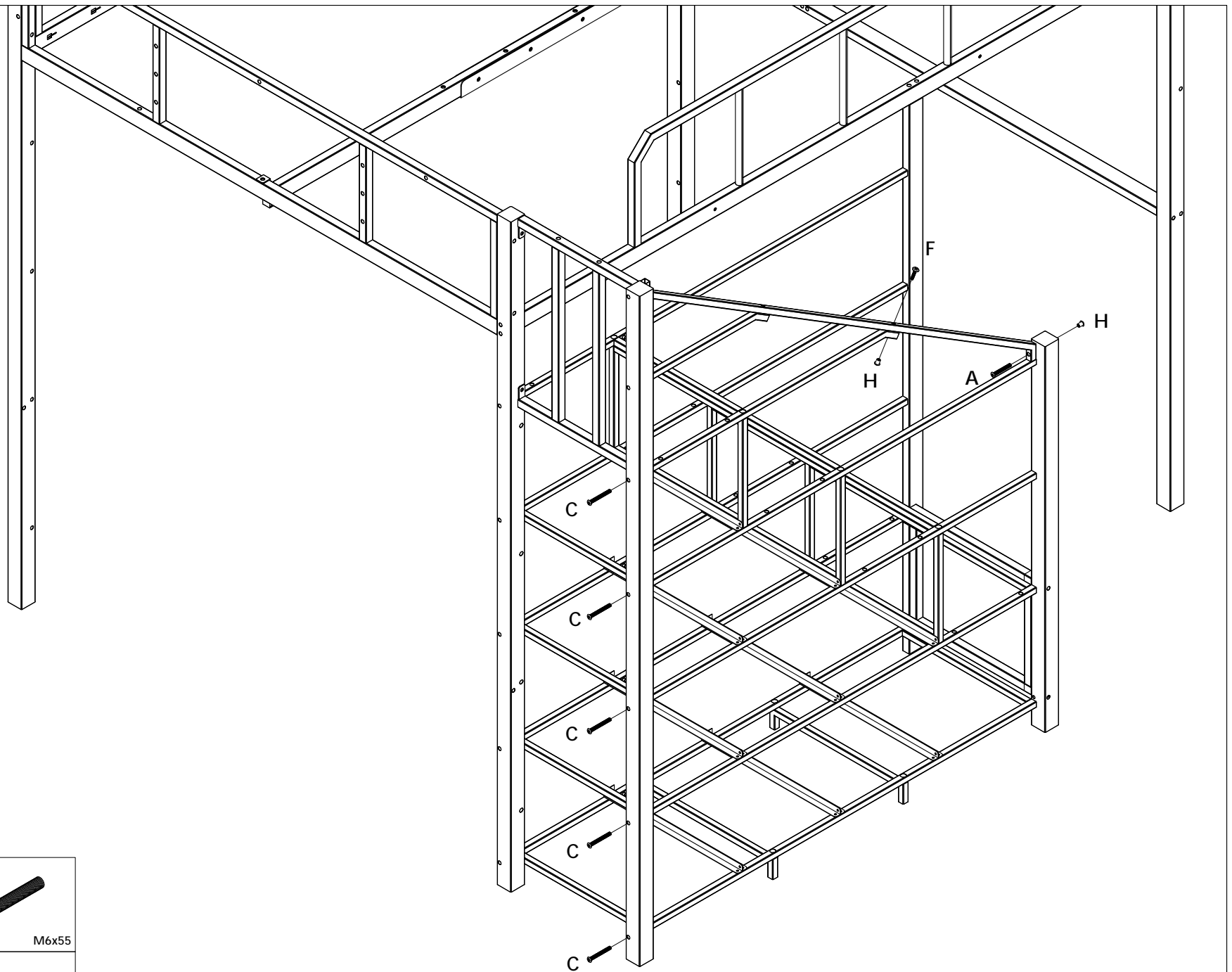






G x 2



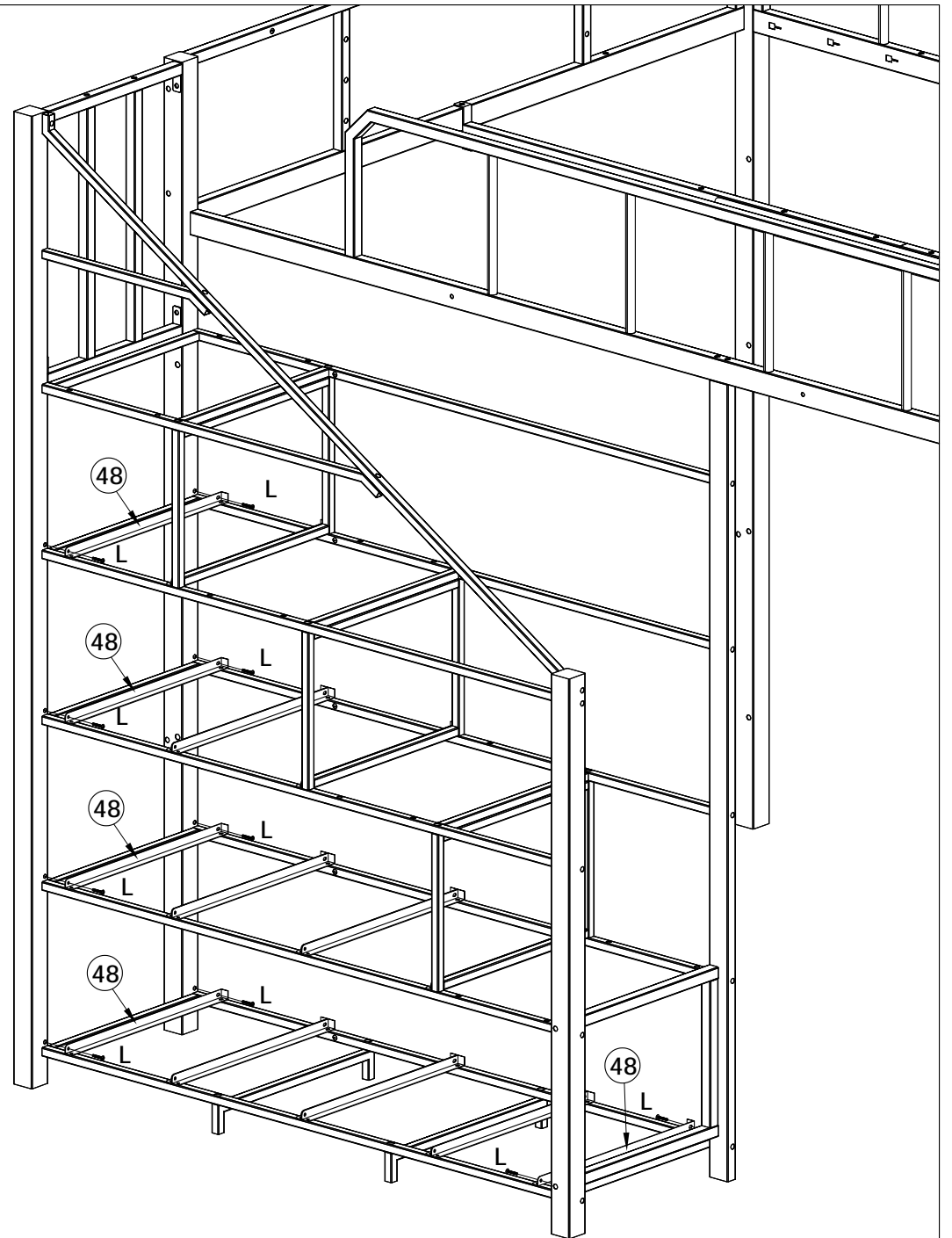
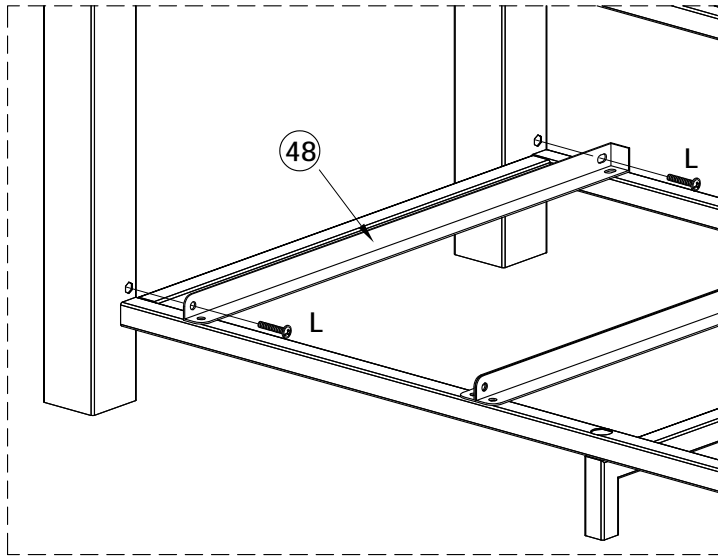
M6x15

STEP:17



A x 1  M6x50	C x 5  M6x55
F x 1  M6x25	H x 2  M6x15

STEP:18

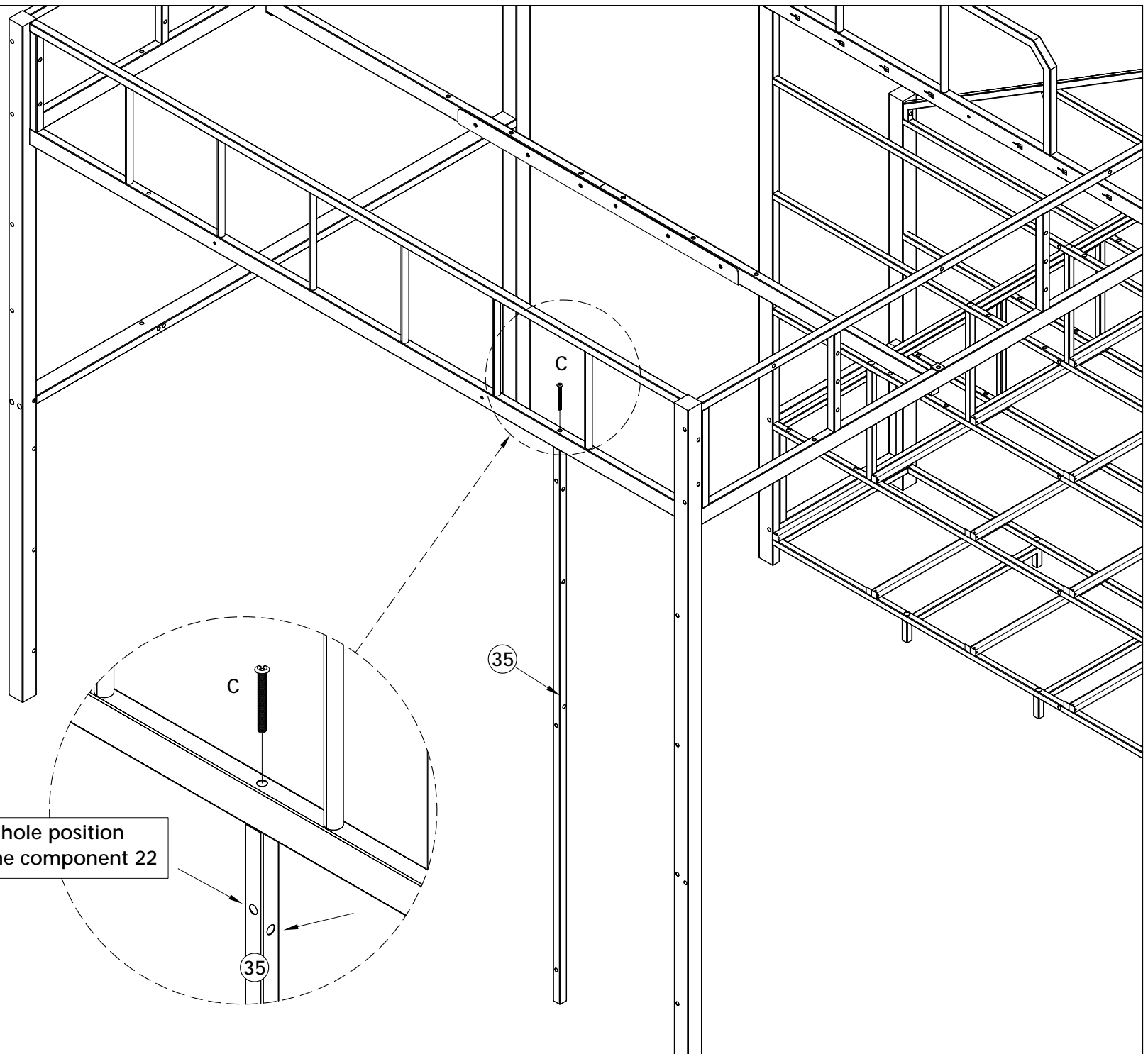


L x 10



M4x12

STEP:19



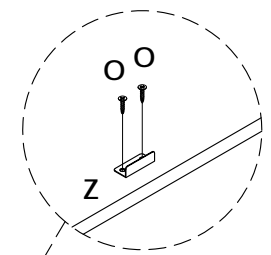
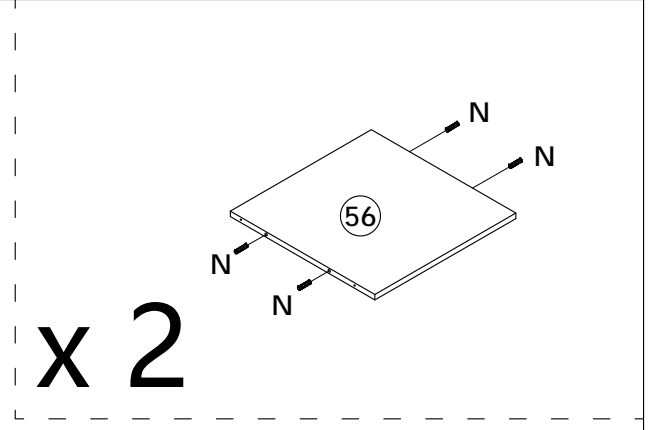
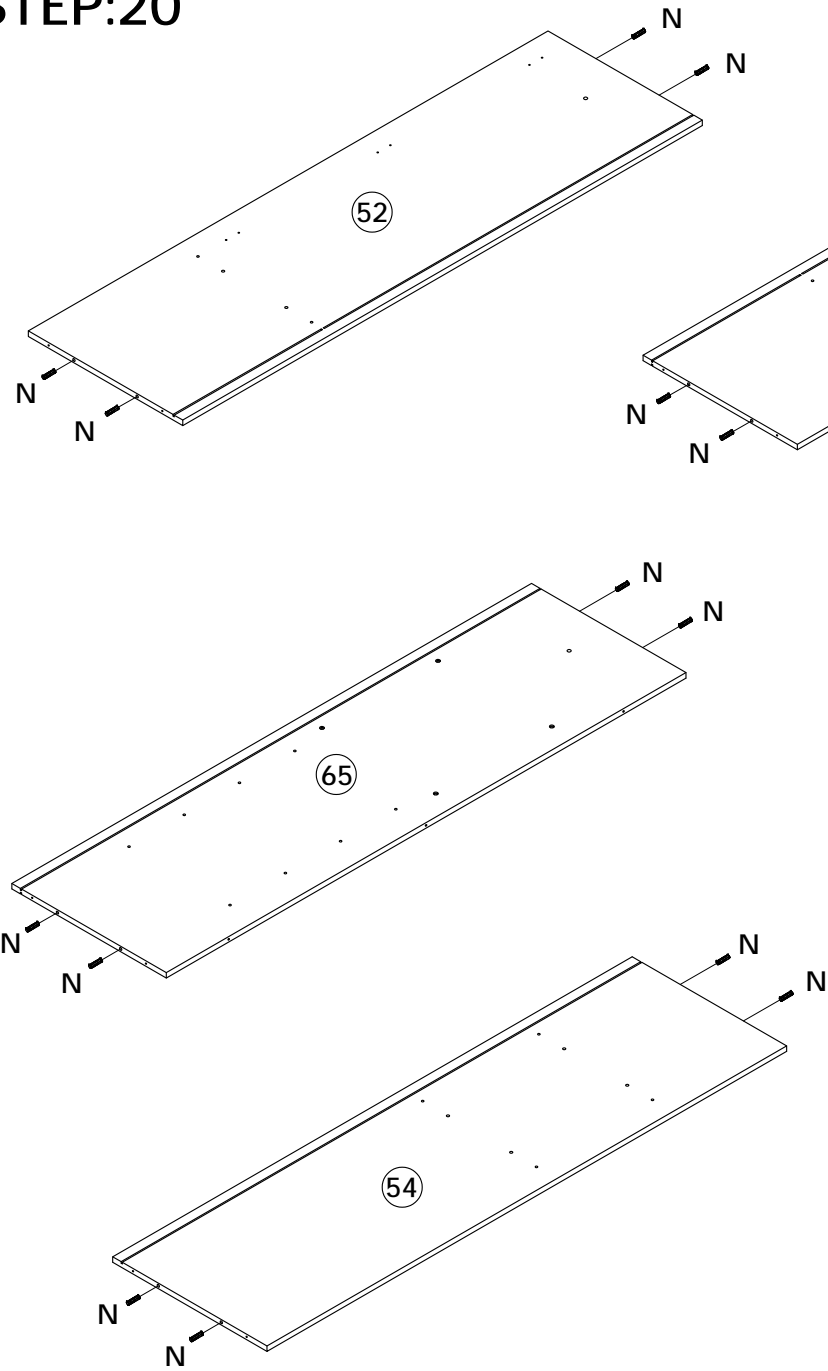
Note that the hole position direction of the component 22



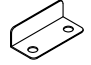
C x 1



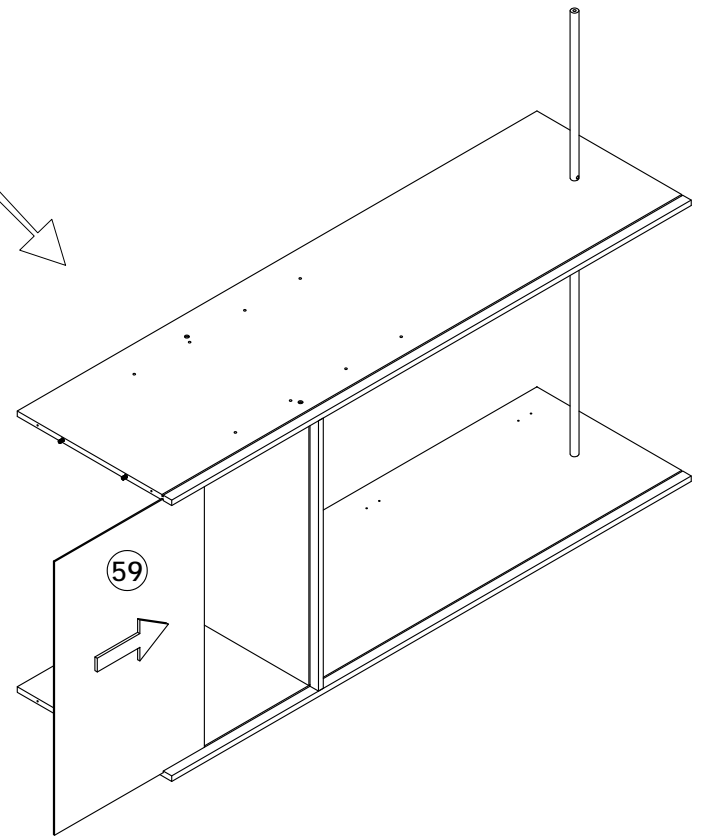
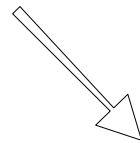
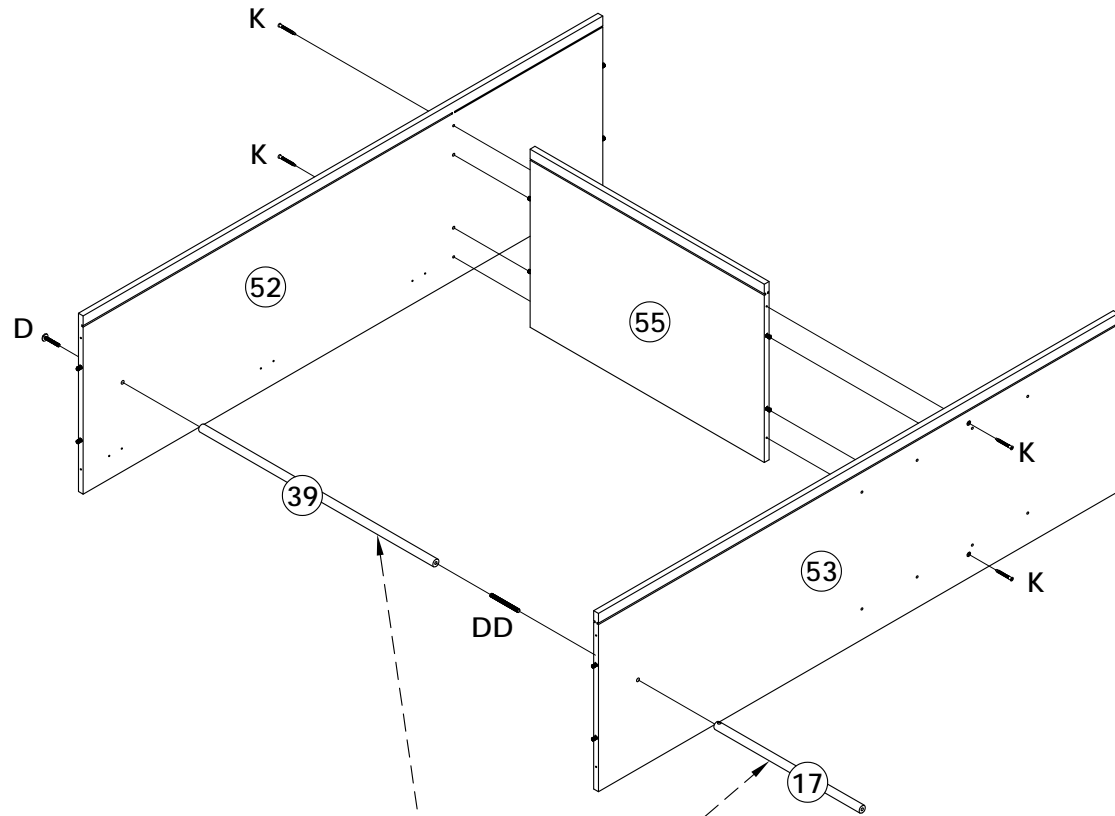
M6x55

STEP:20



N x 28  Φ6x30	O x 2  Φ3.5x12	Z x 1 
--	---	--

STEP:21



D x 1



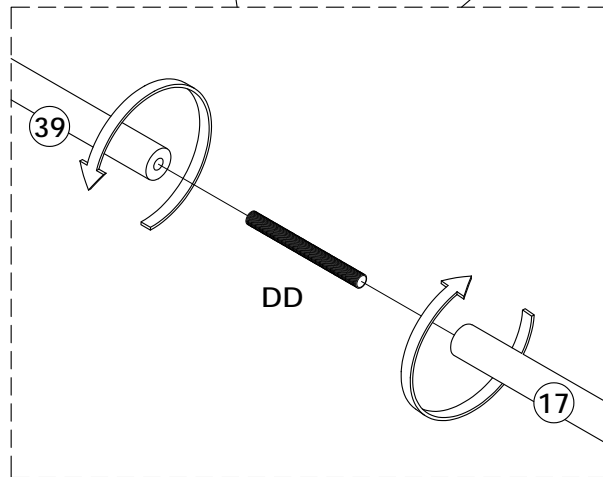
M6x35

K x 4

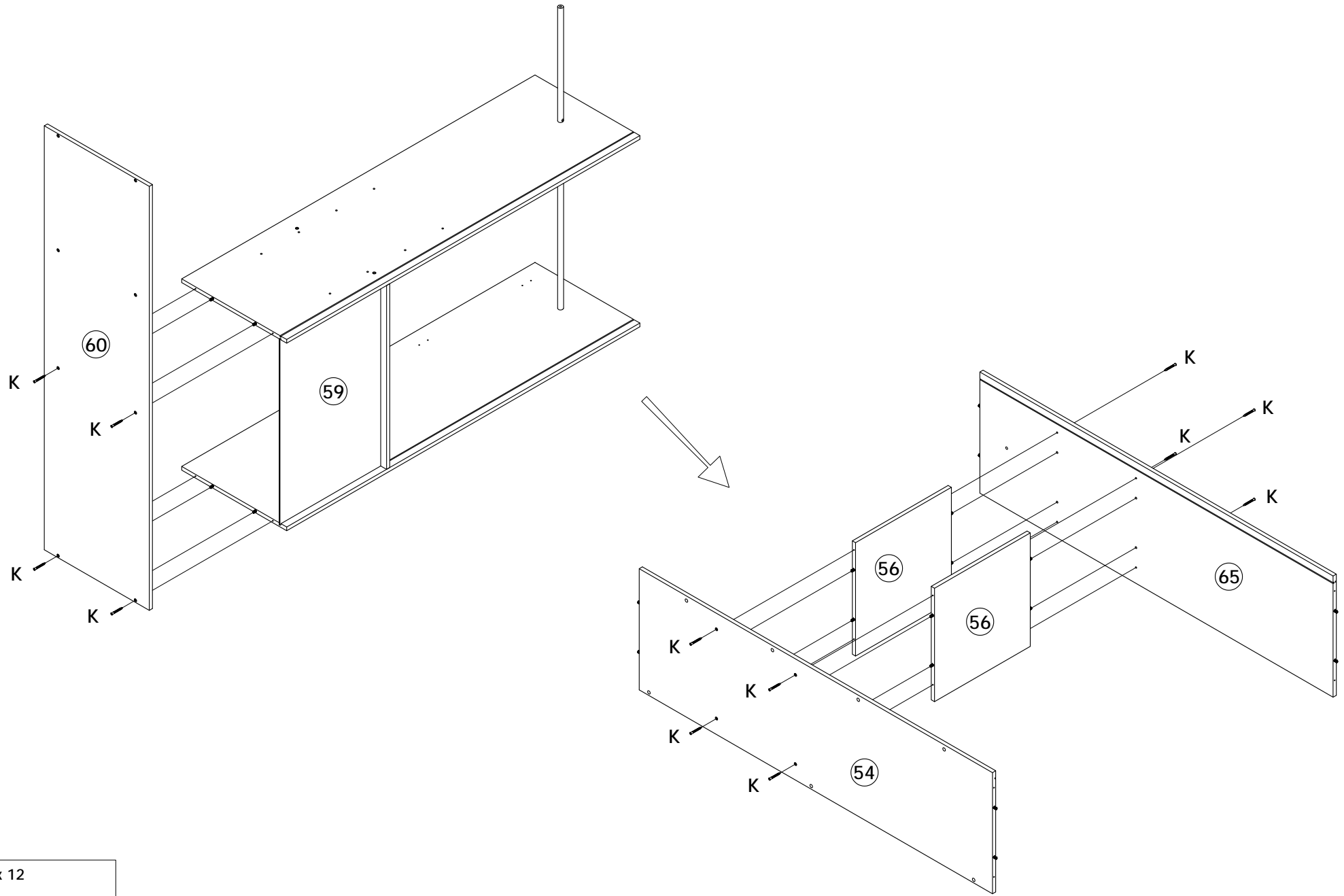


M5x40

DD x 1



STEP:22

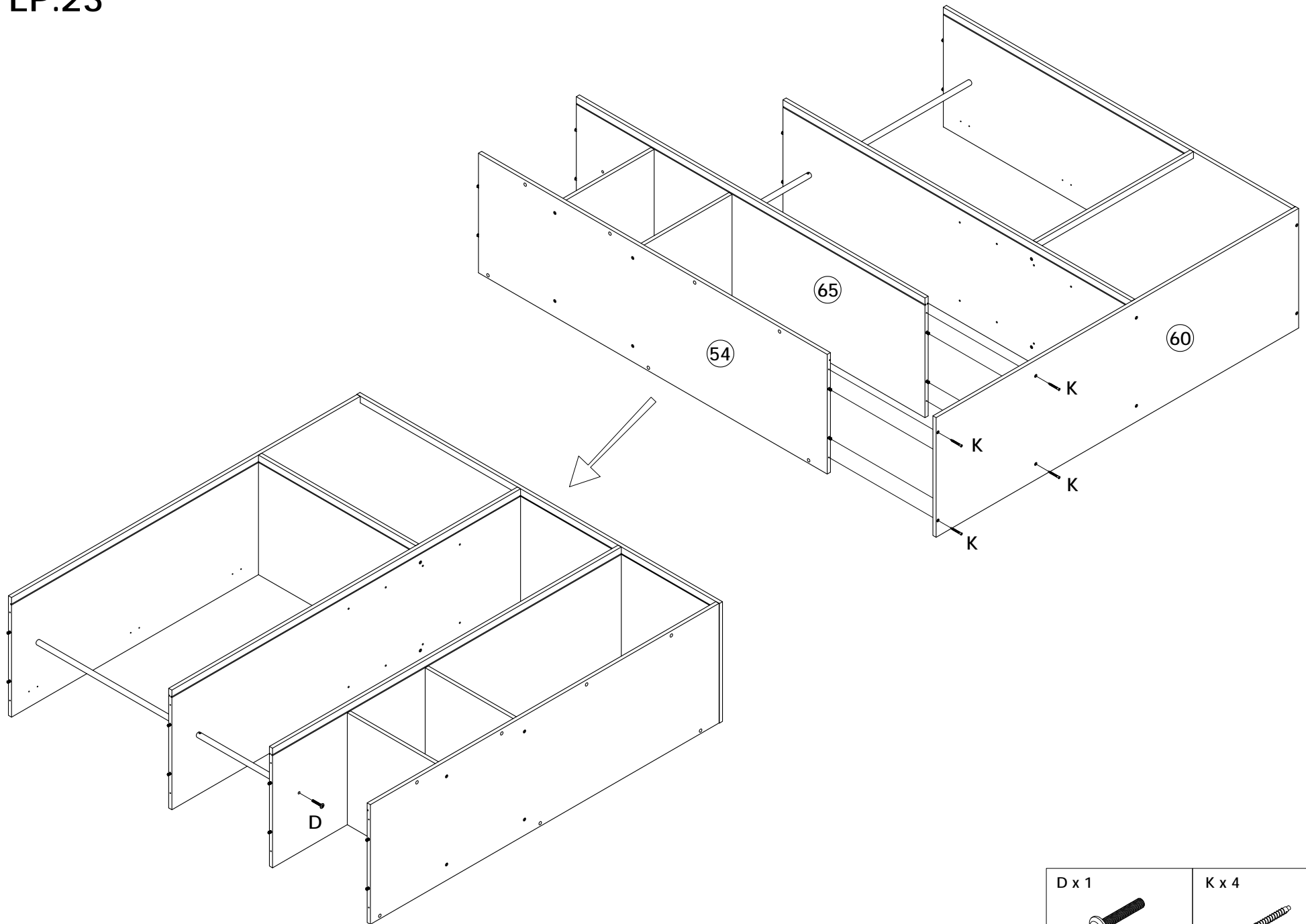




K x 12



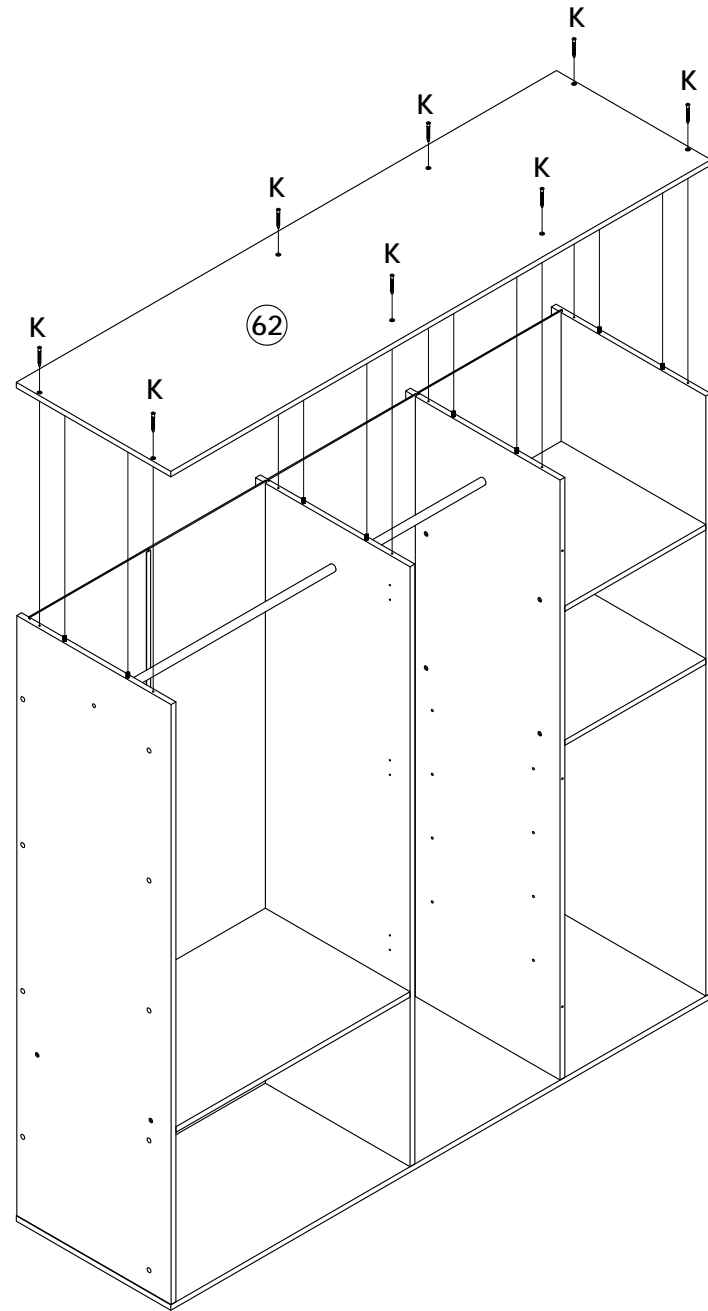
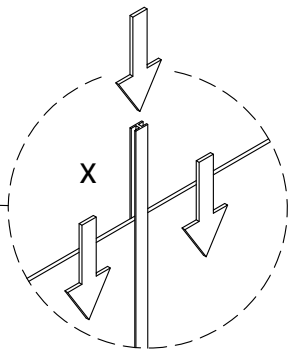
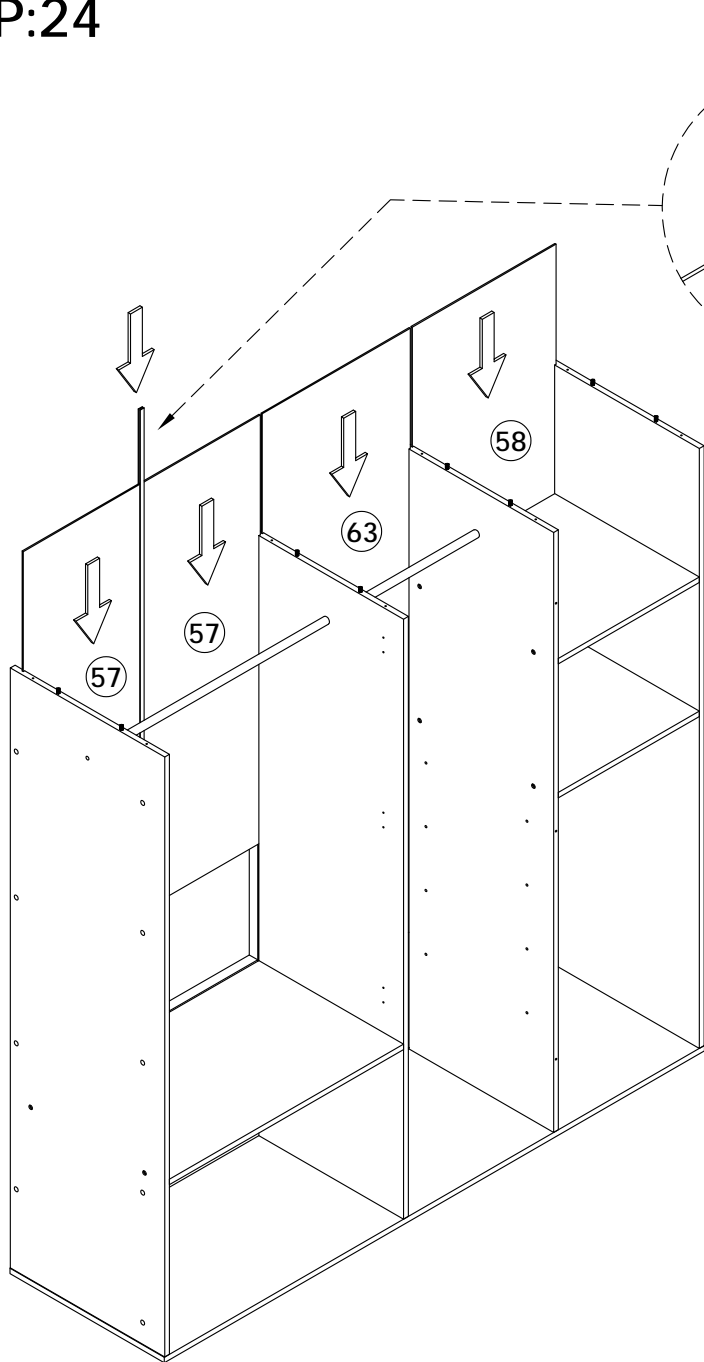
M5x40


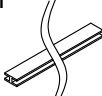
STEP:23



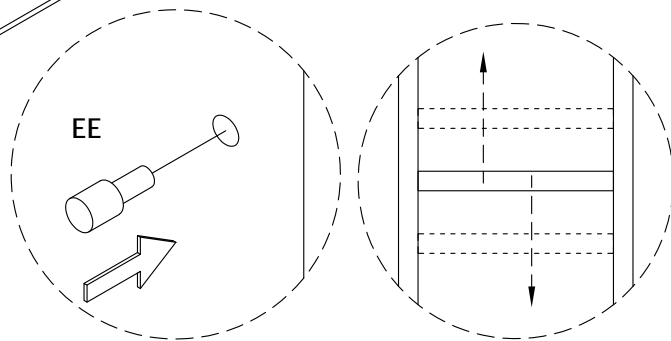
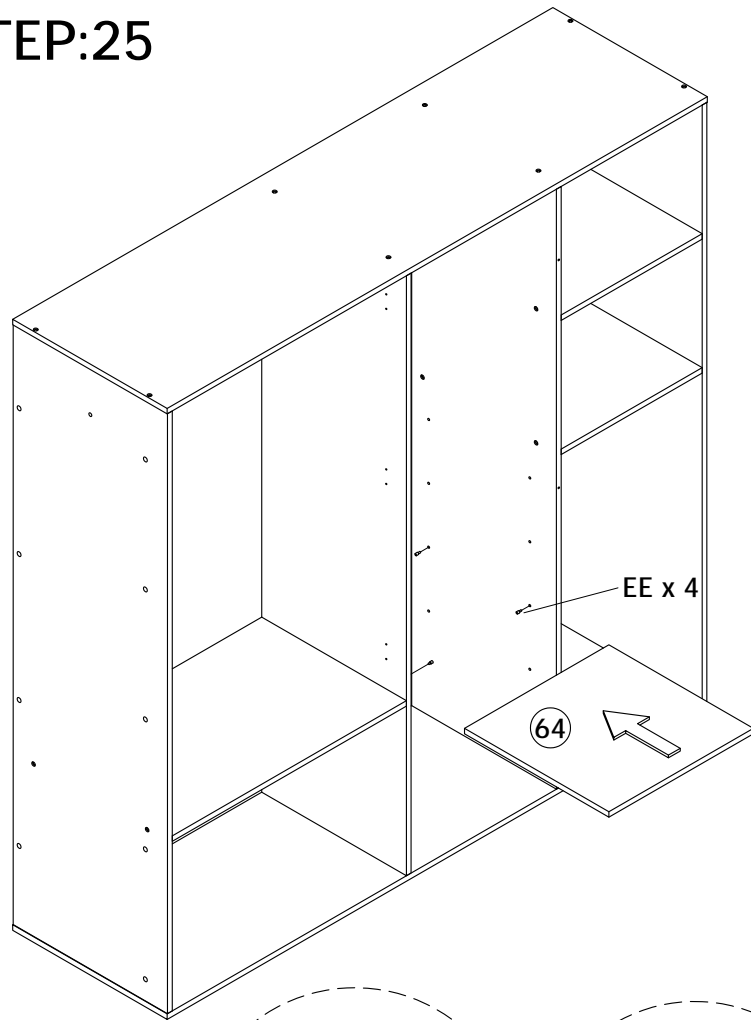
D x 1	K x 4
	
M6x35	M5x40

STEP:24



<p>K x 8</p>  <p>M5x40</p>	<p>X x 1</p> 
---	--

STEP:25

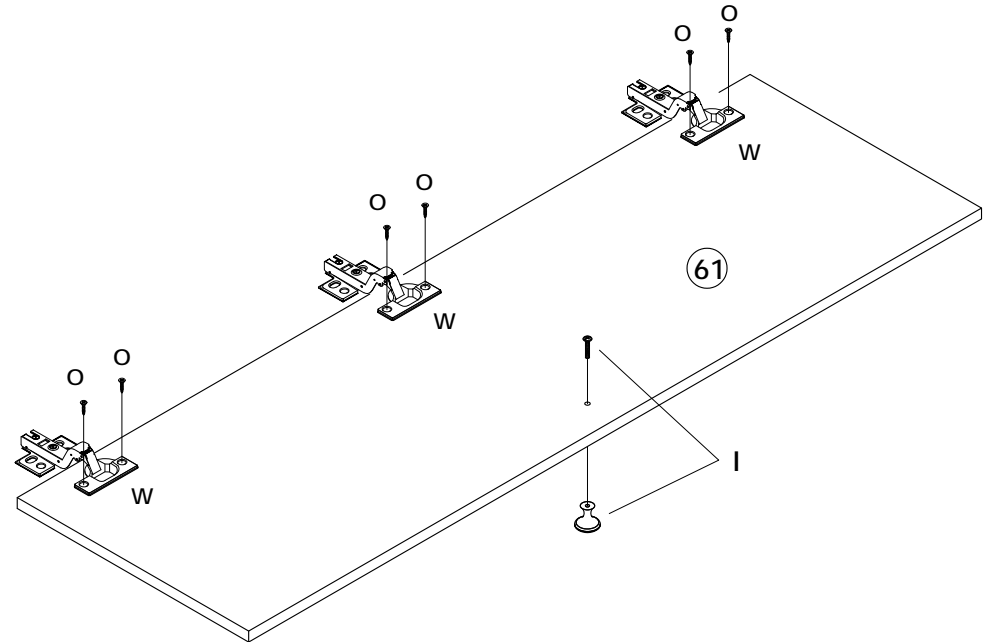


EE x 4



STEP:26

x 2



I x 2

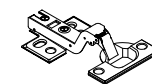


O x 12

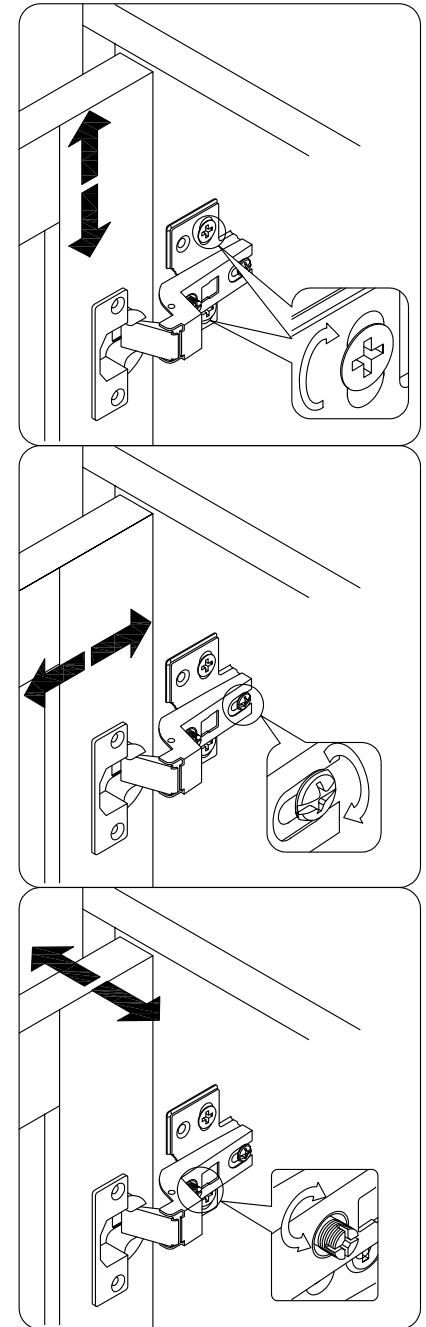
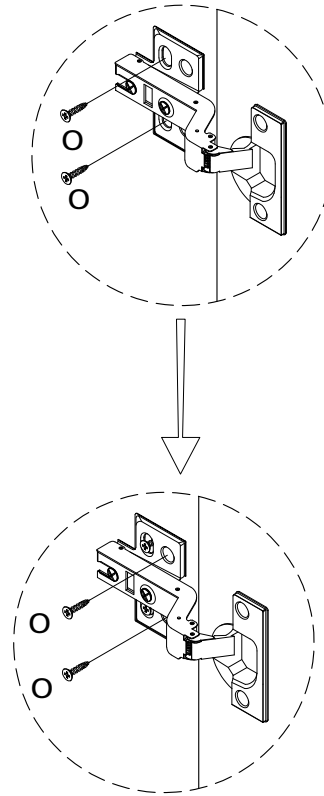
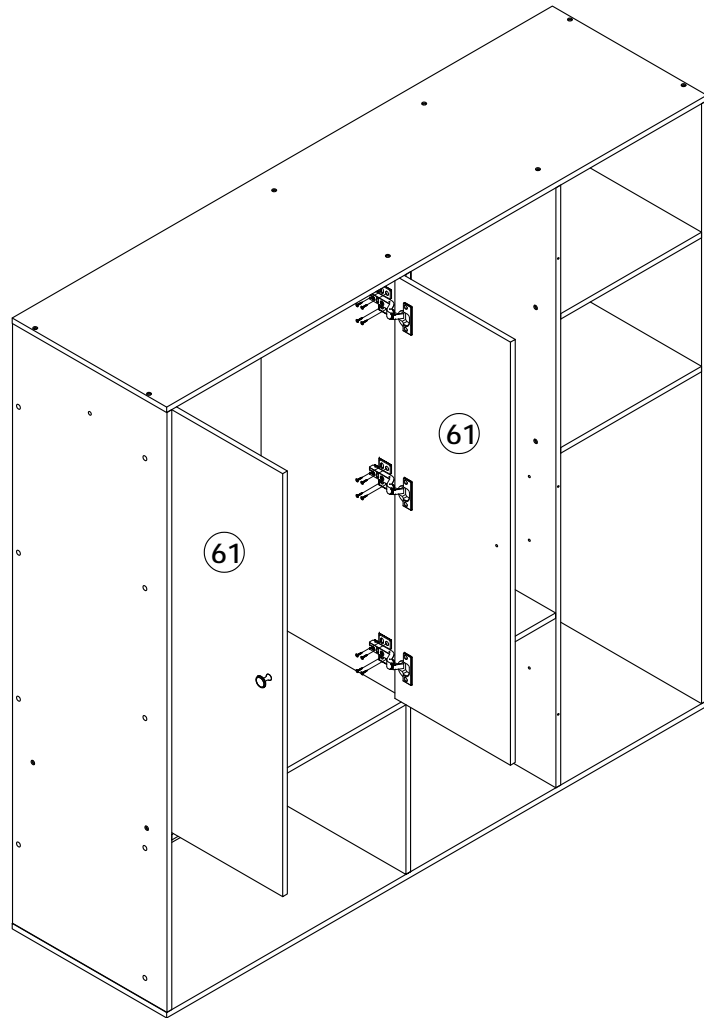


Φ3.5x12

W x 6



STEP:27

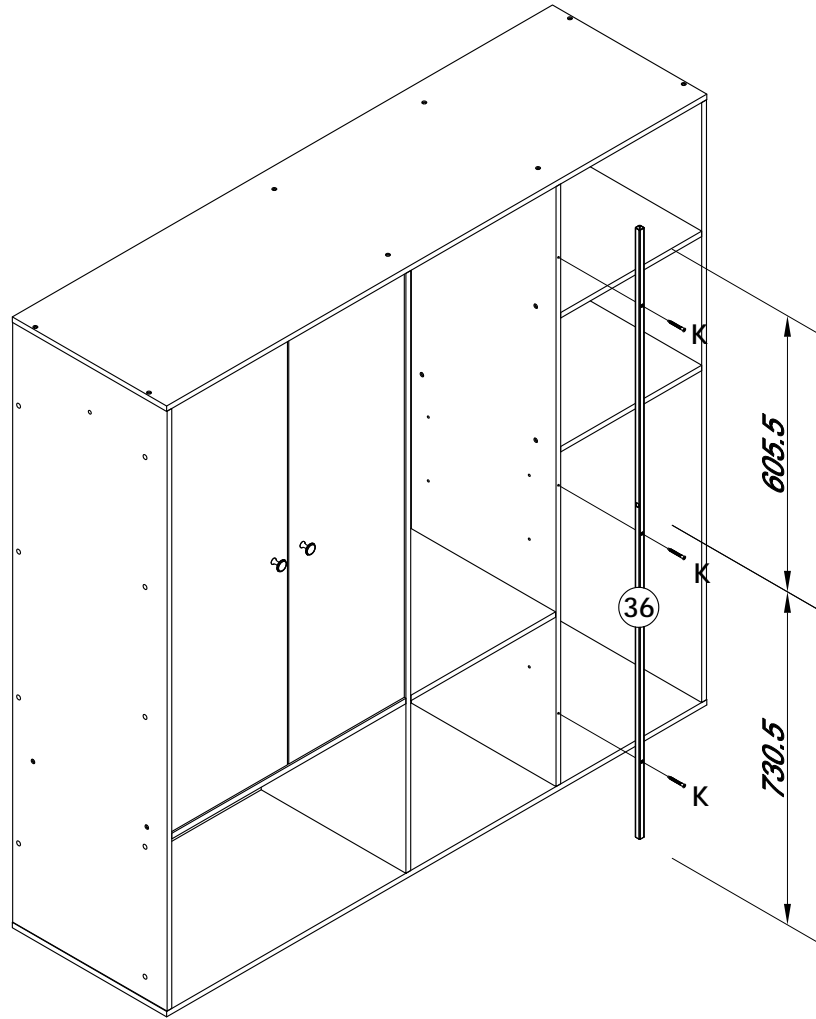


Ø x 24



Ø3.5x12

STEP:28



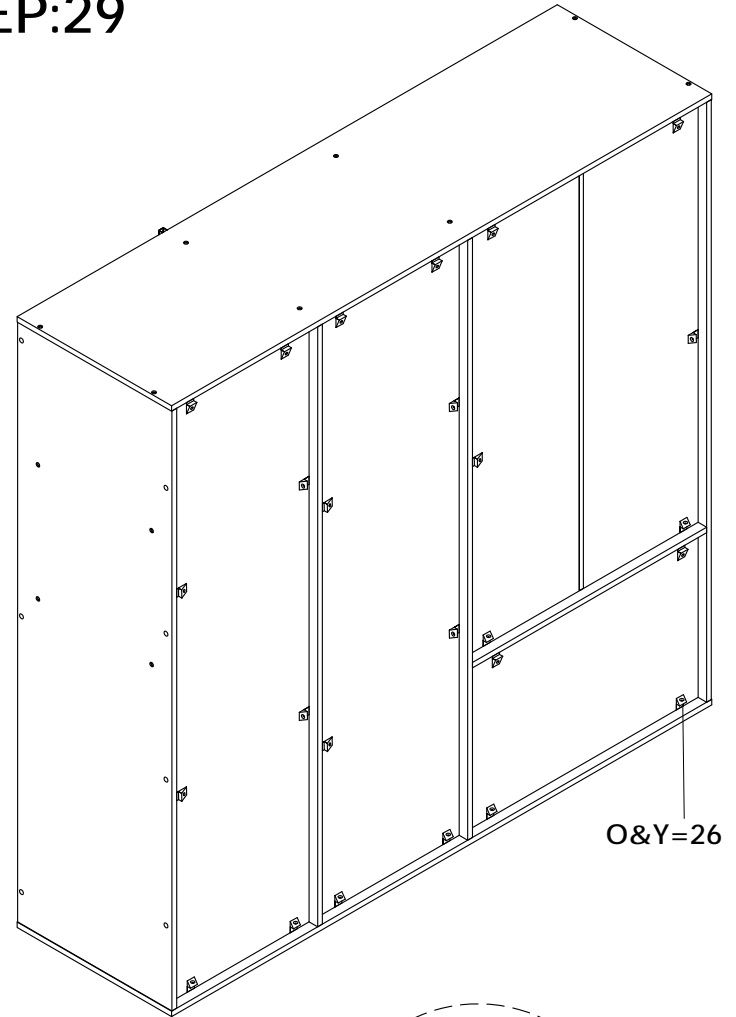
Note that the up-and-down direction of the component 36

K x 3

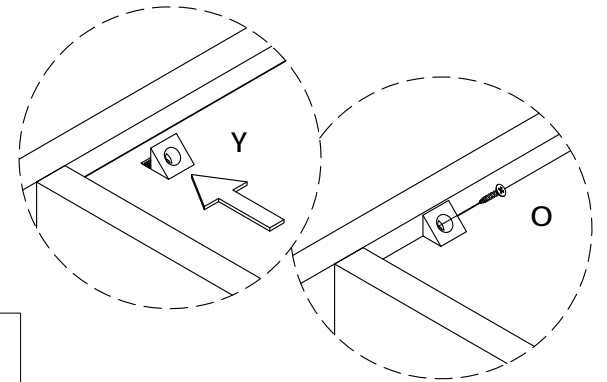


M5x40

STEP:29



O&Y=26



O x 26

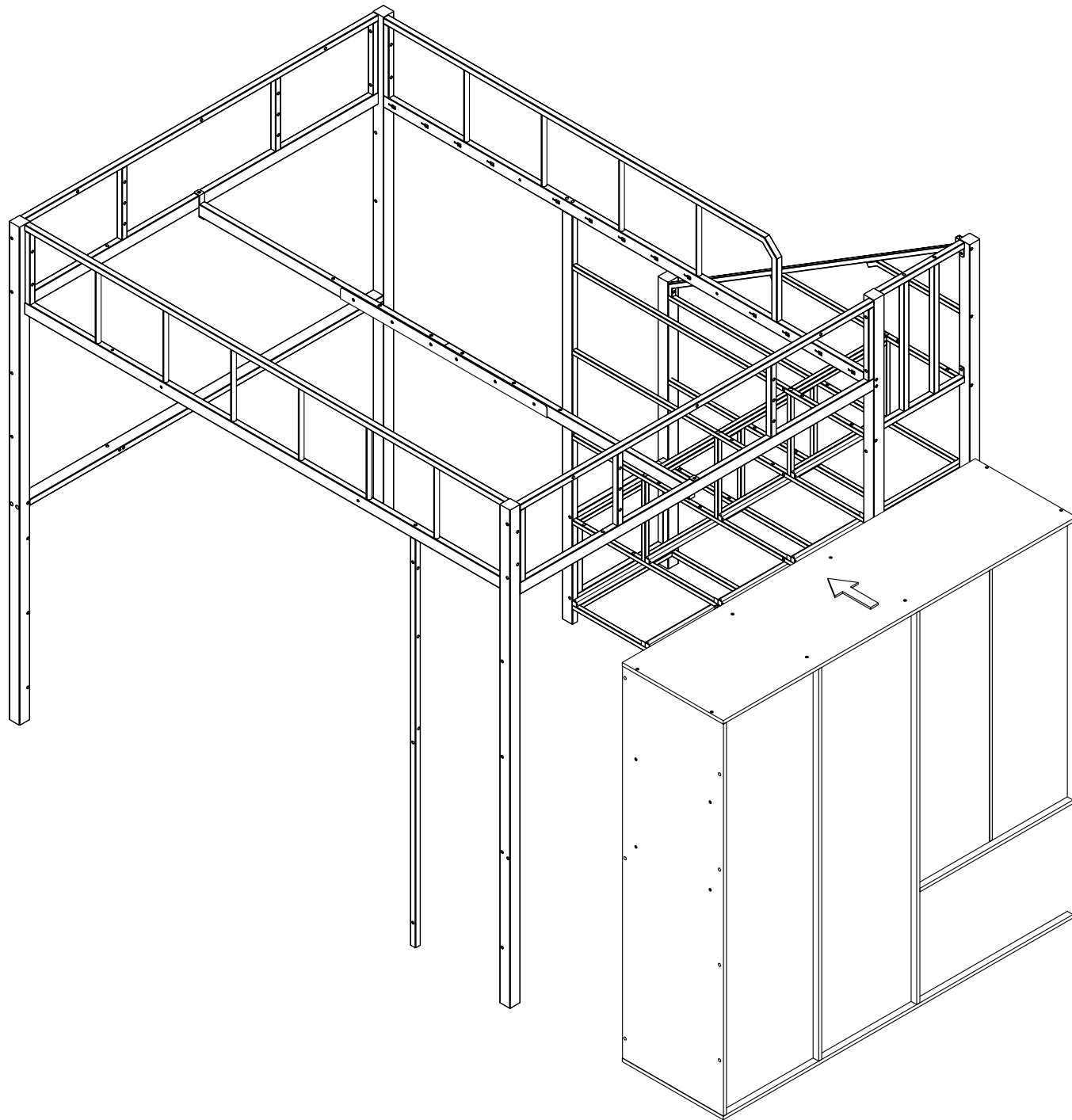


Φ3.5x12

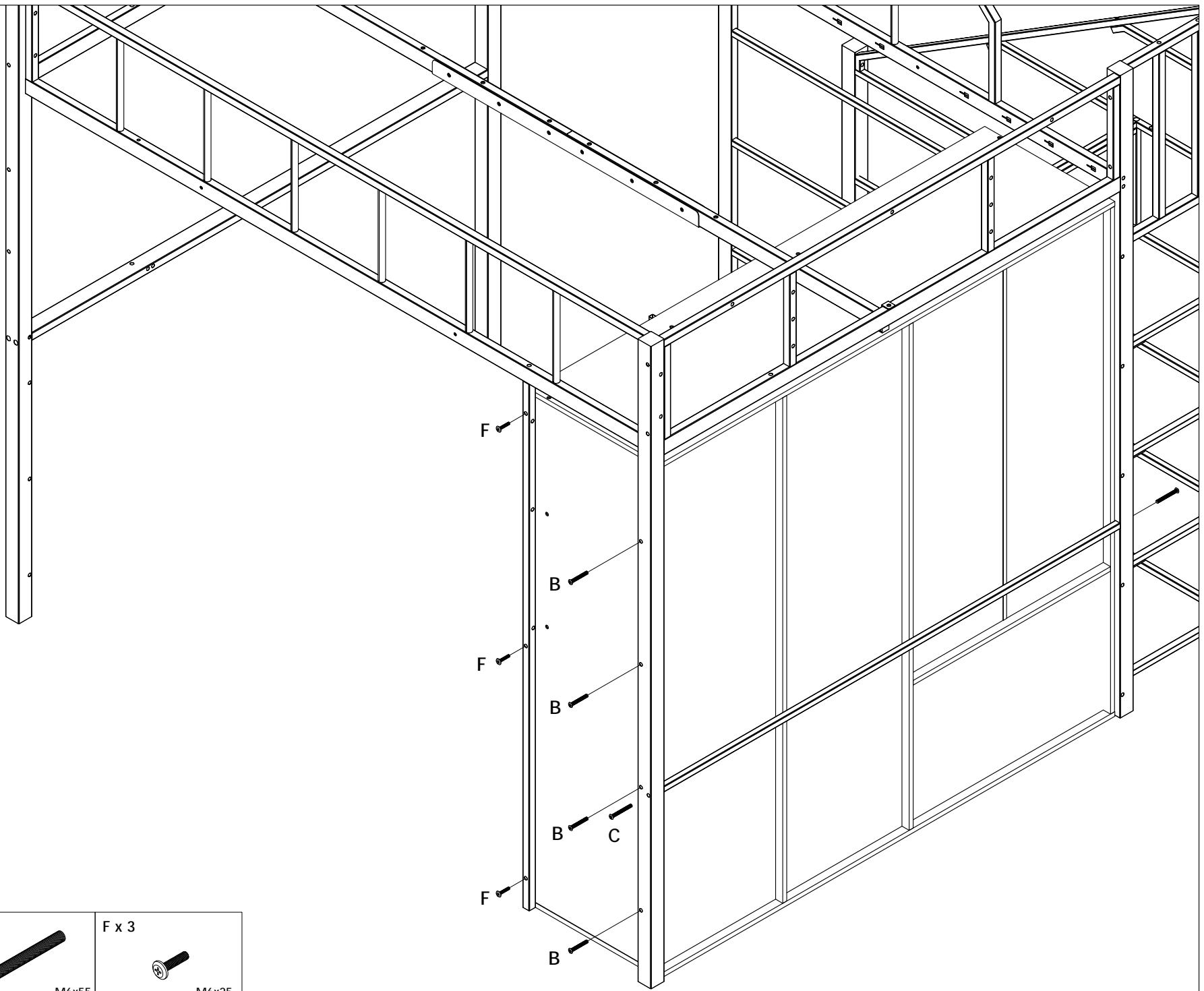
Y x 26






STEP:30

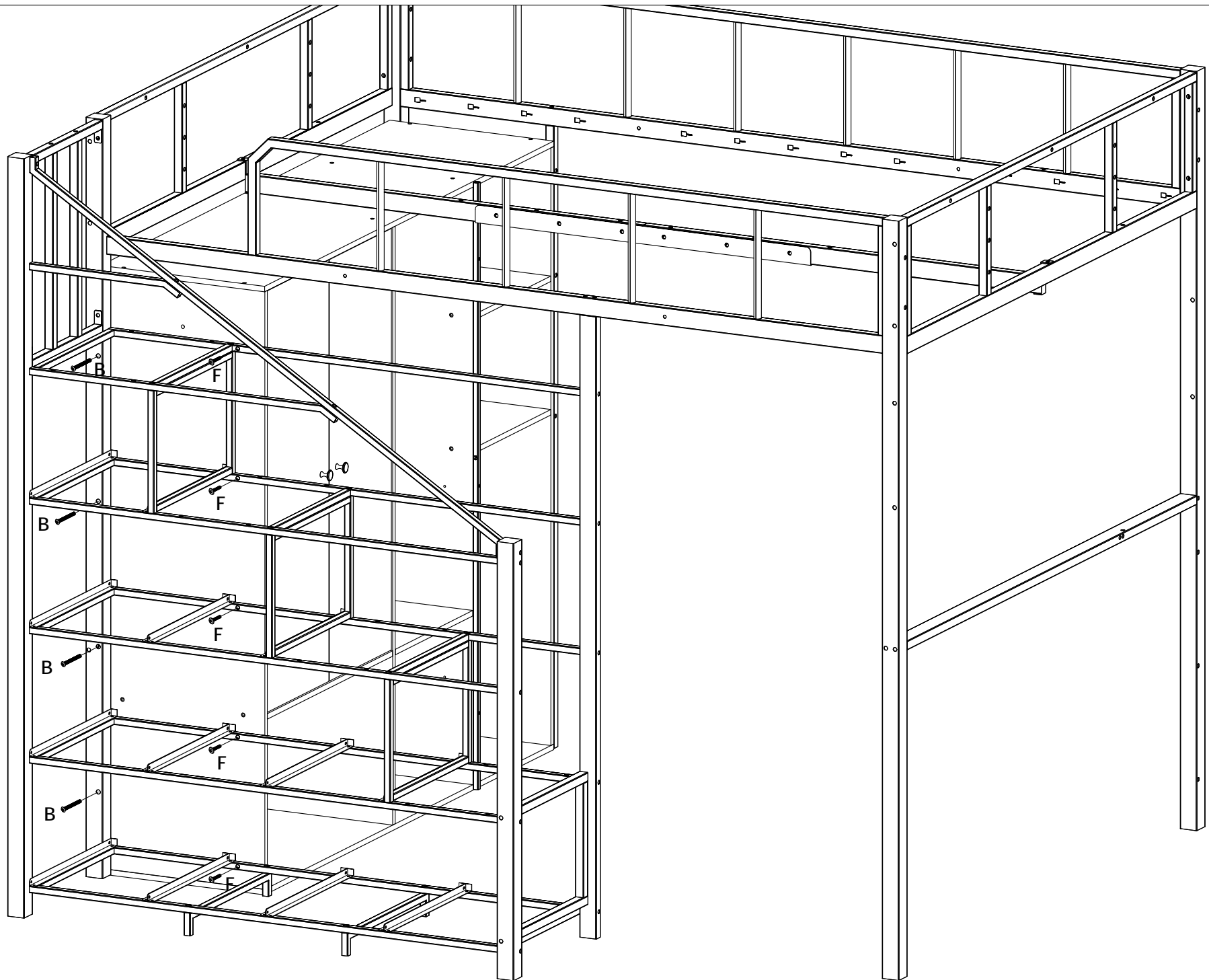


STEP:31



<p>B x 4</p>  <p>M6x45</p>	<p>C x 2</p>  <p>M6x55</p>	<p>F x 3</p>  <p>M6x25</p>
---	---	---

STEP:32



B x 4



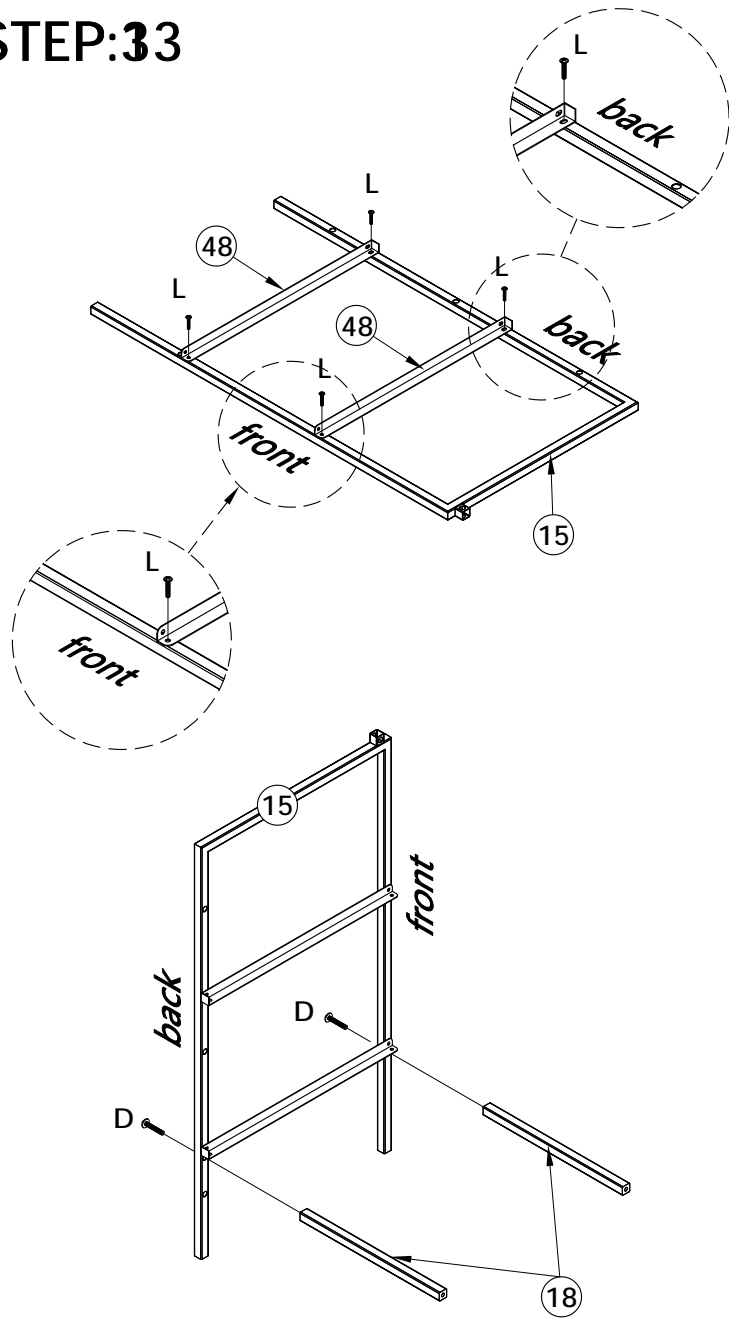
M6x45

F x 5



M6x25

STEP:33



D x 2



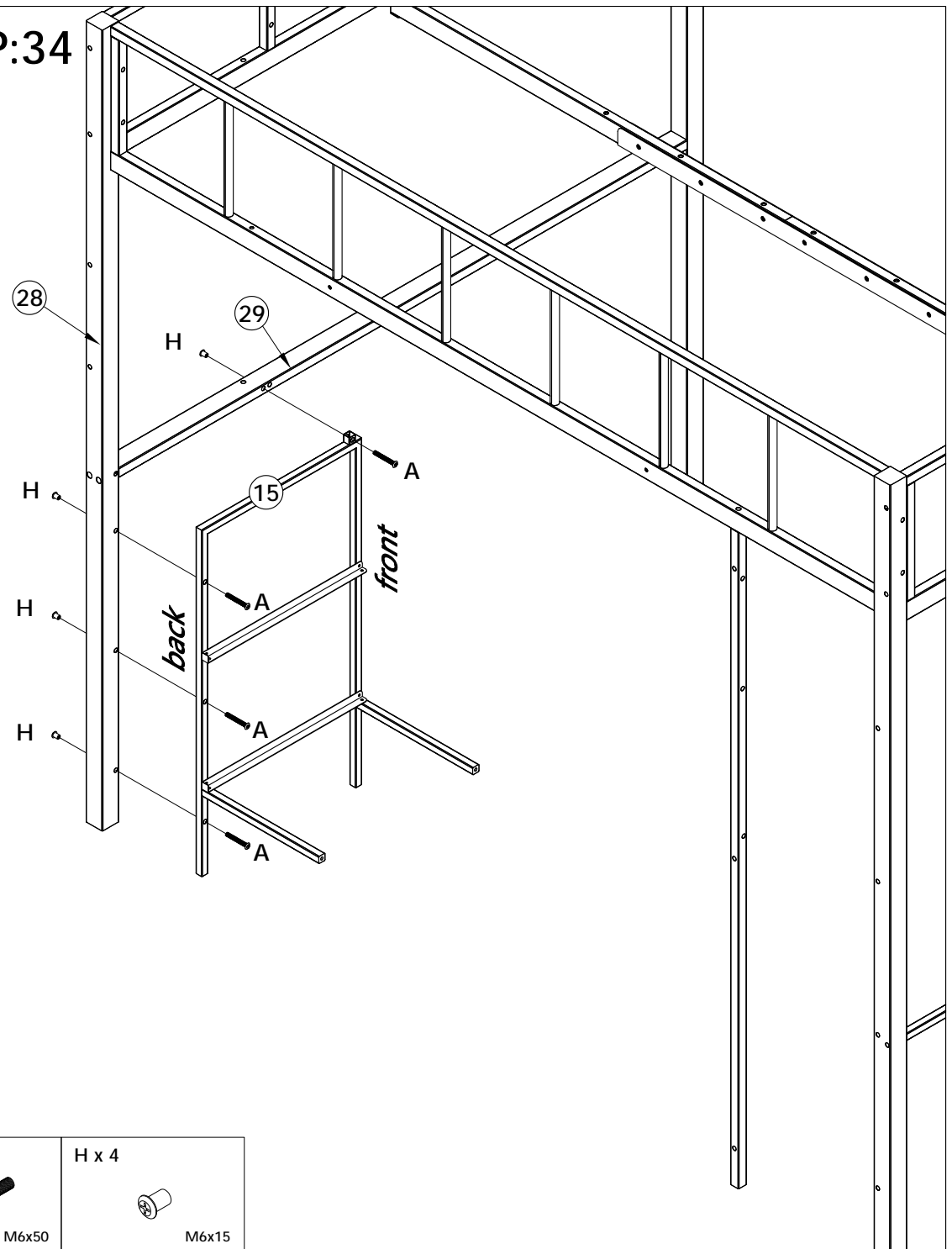
M6x35

L x 4



M4x12

STEP:34



A x 4



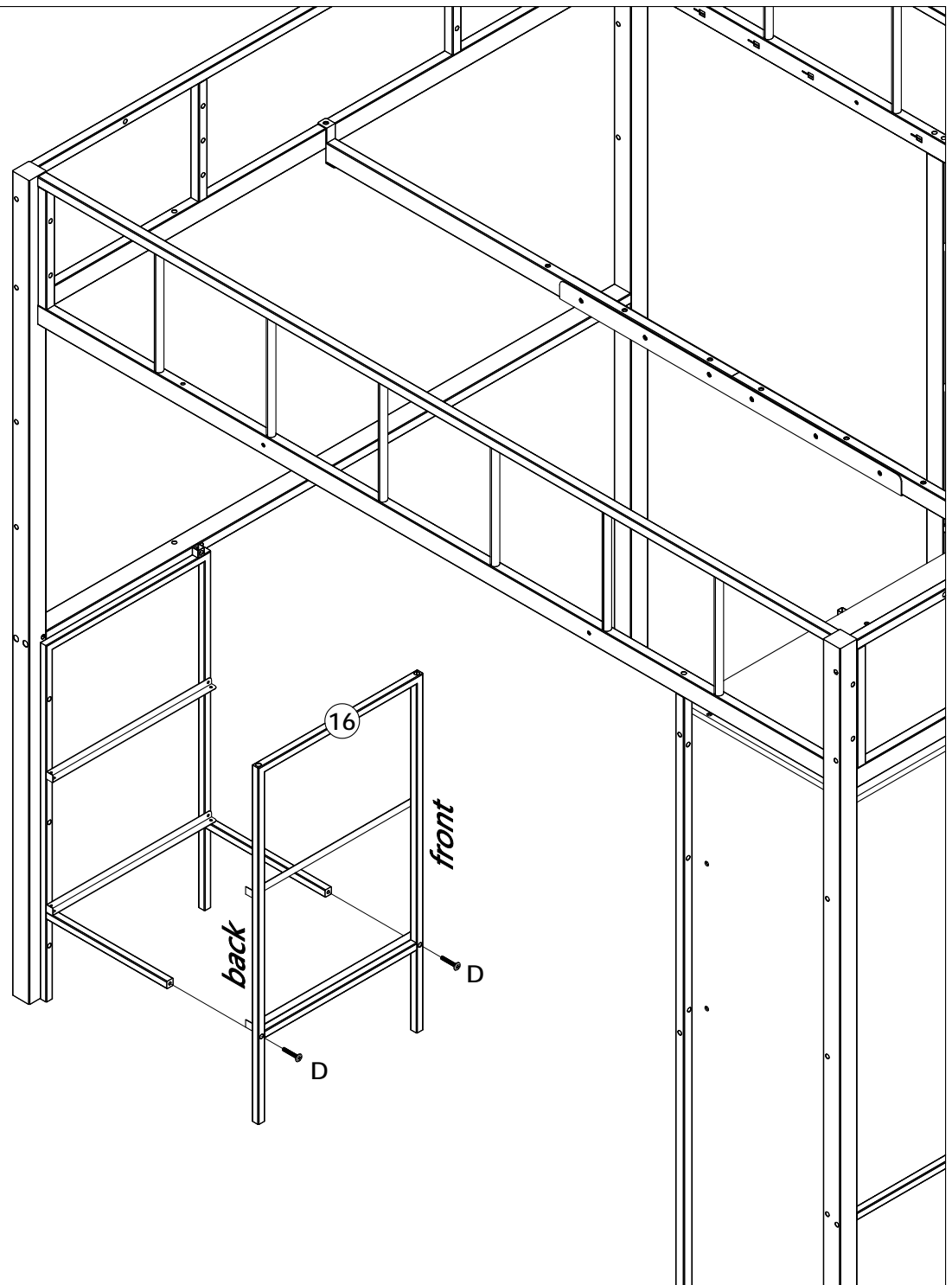
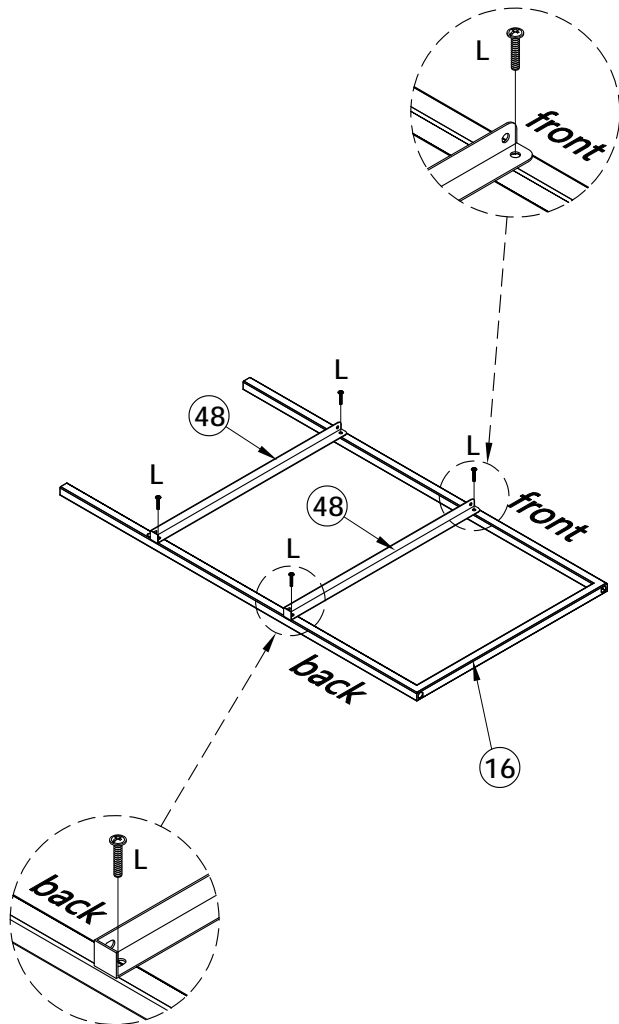
M6x50



H x 4



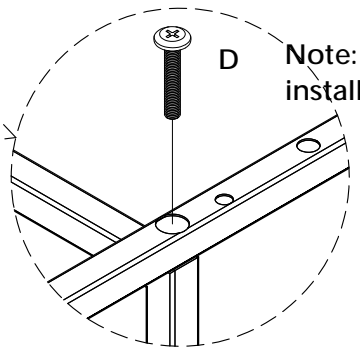
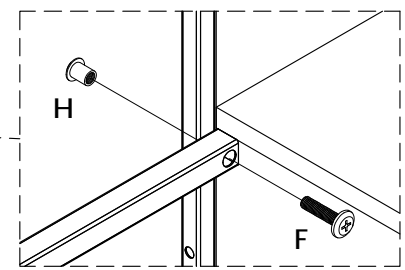
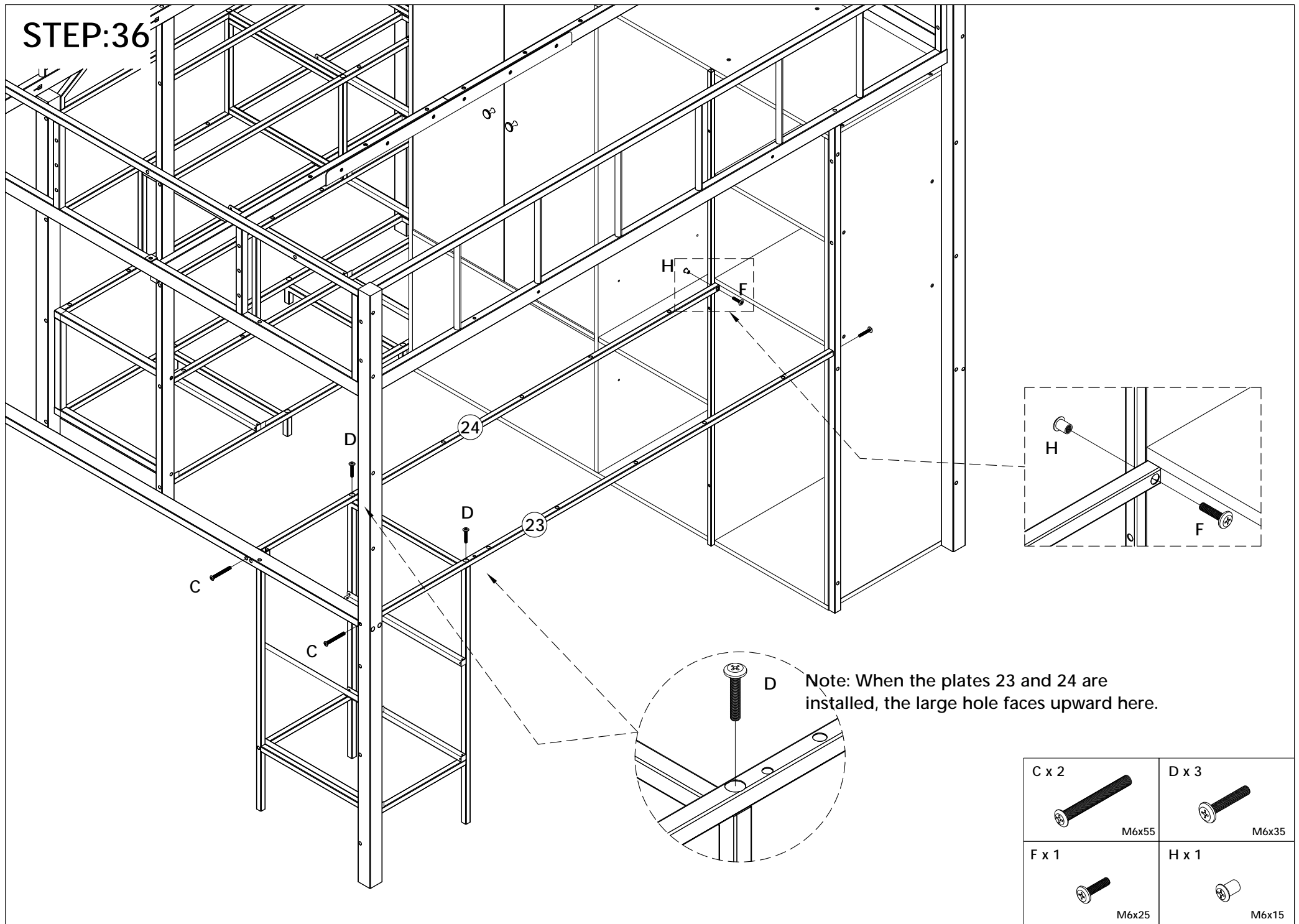
M6x15

STEP:35







D x 2	L x 4
	
M6x35	M4x12

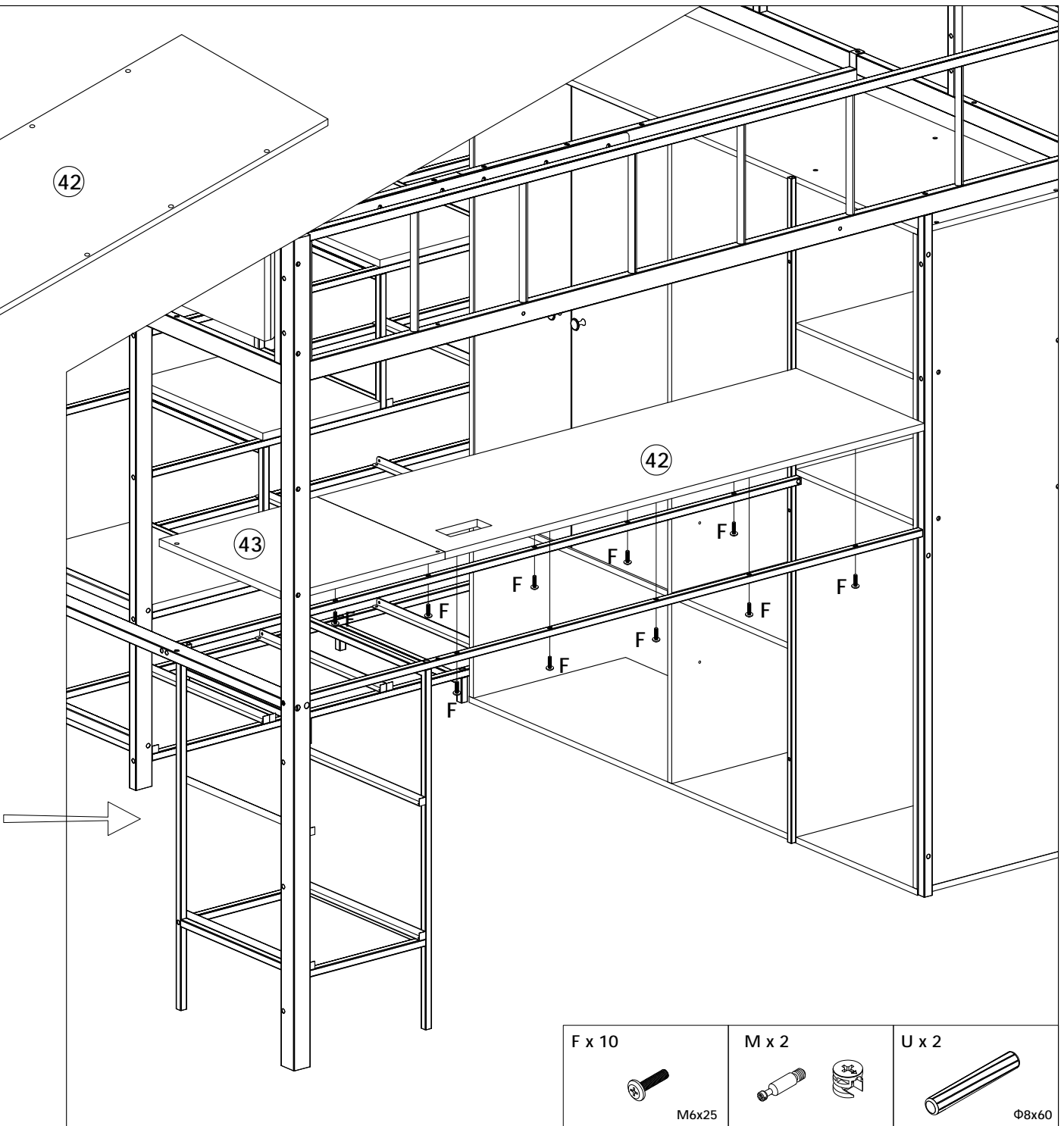
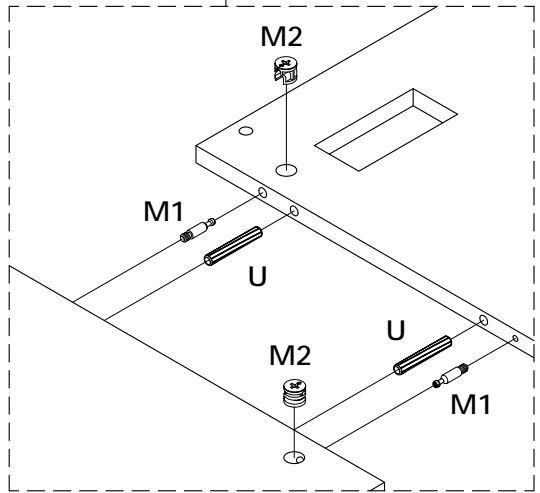
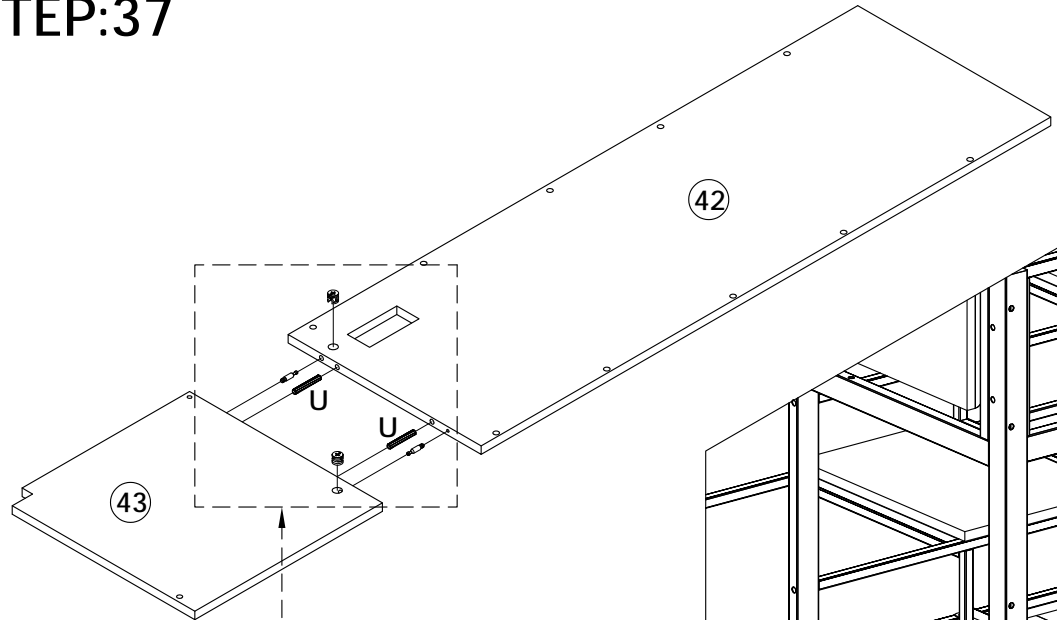
STEP:36







Note: When the plates 23 and 24 are installed, the large hole faces upward here.

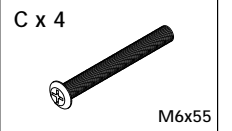
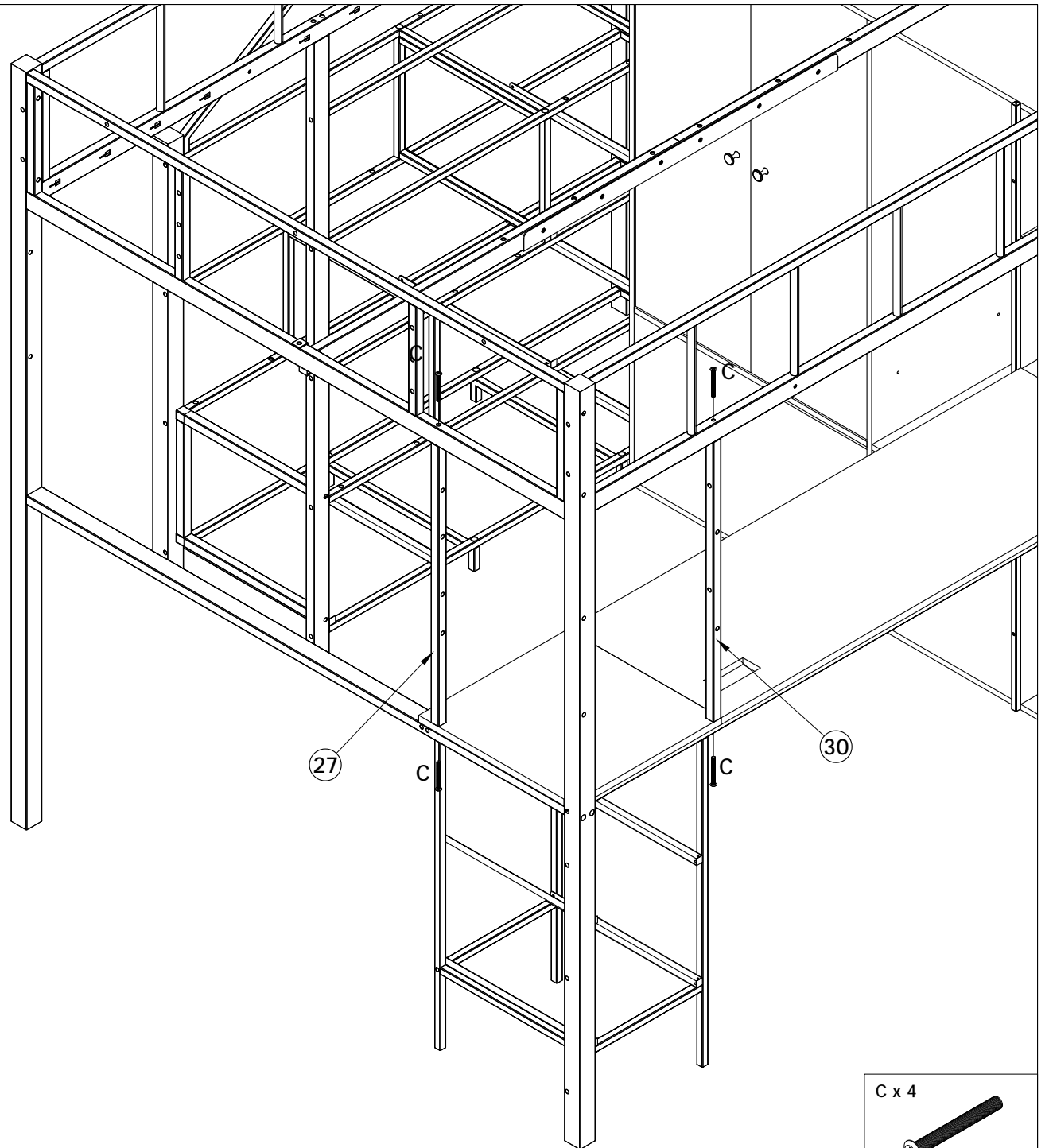
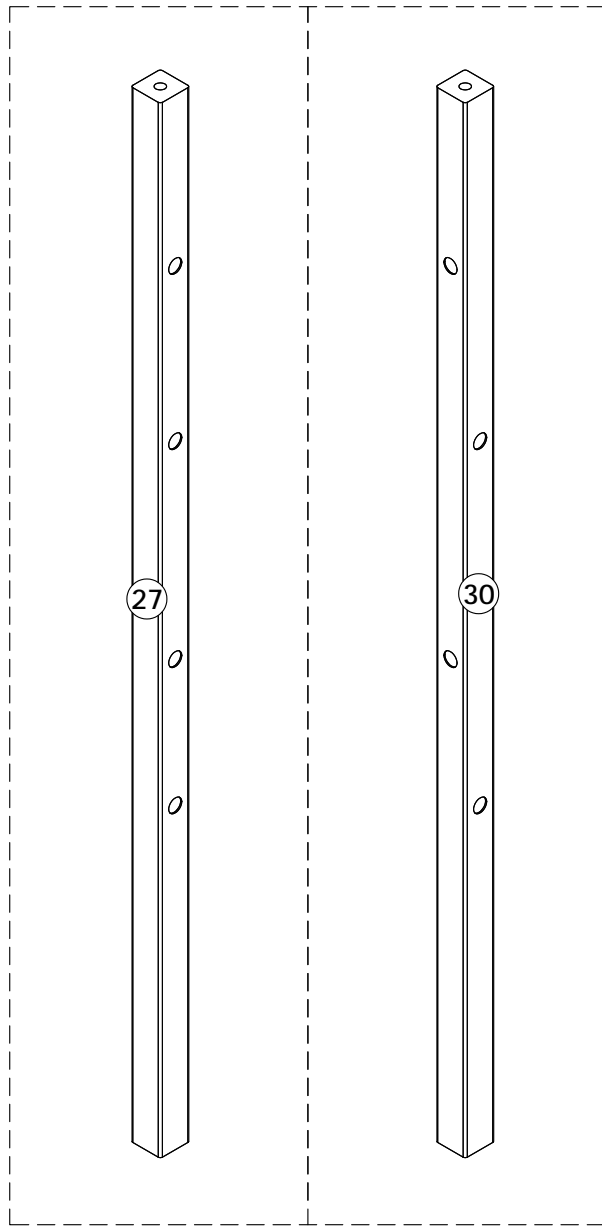
C x 2  M6x55	D x 3  M6x35
F x 1  M6x25	H x 1  M6x15

STEP:37



F x 10  M6x25	M x 2  	U x 2  Φ8x60
--	---	---

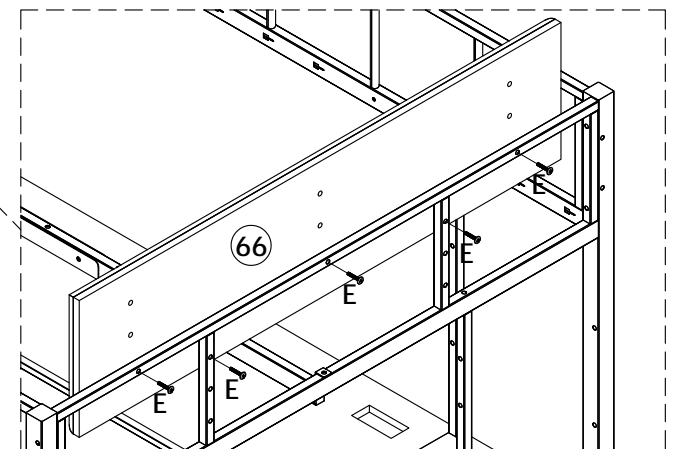
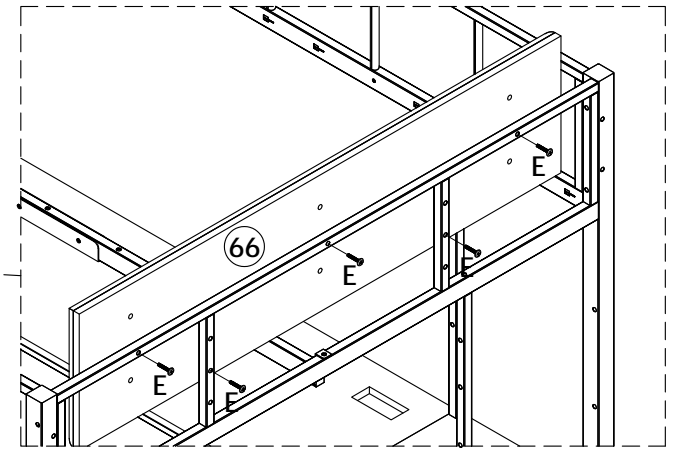
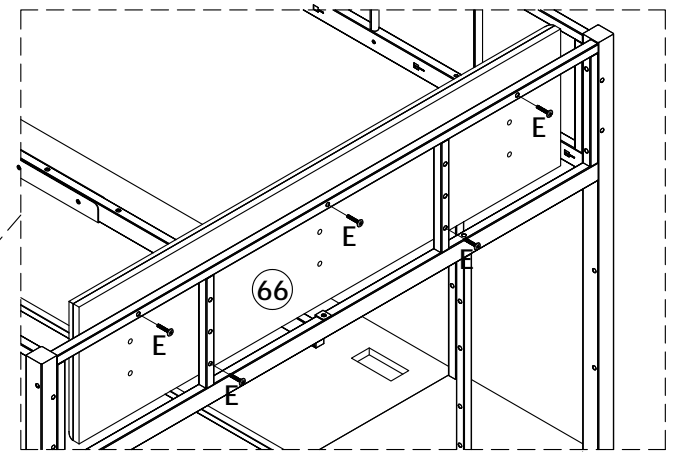
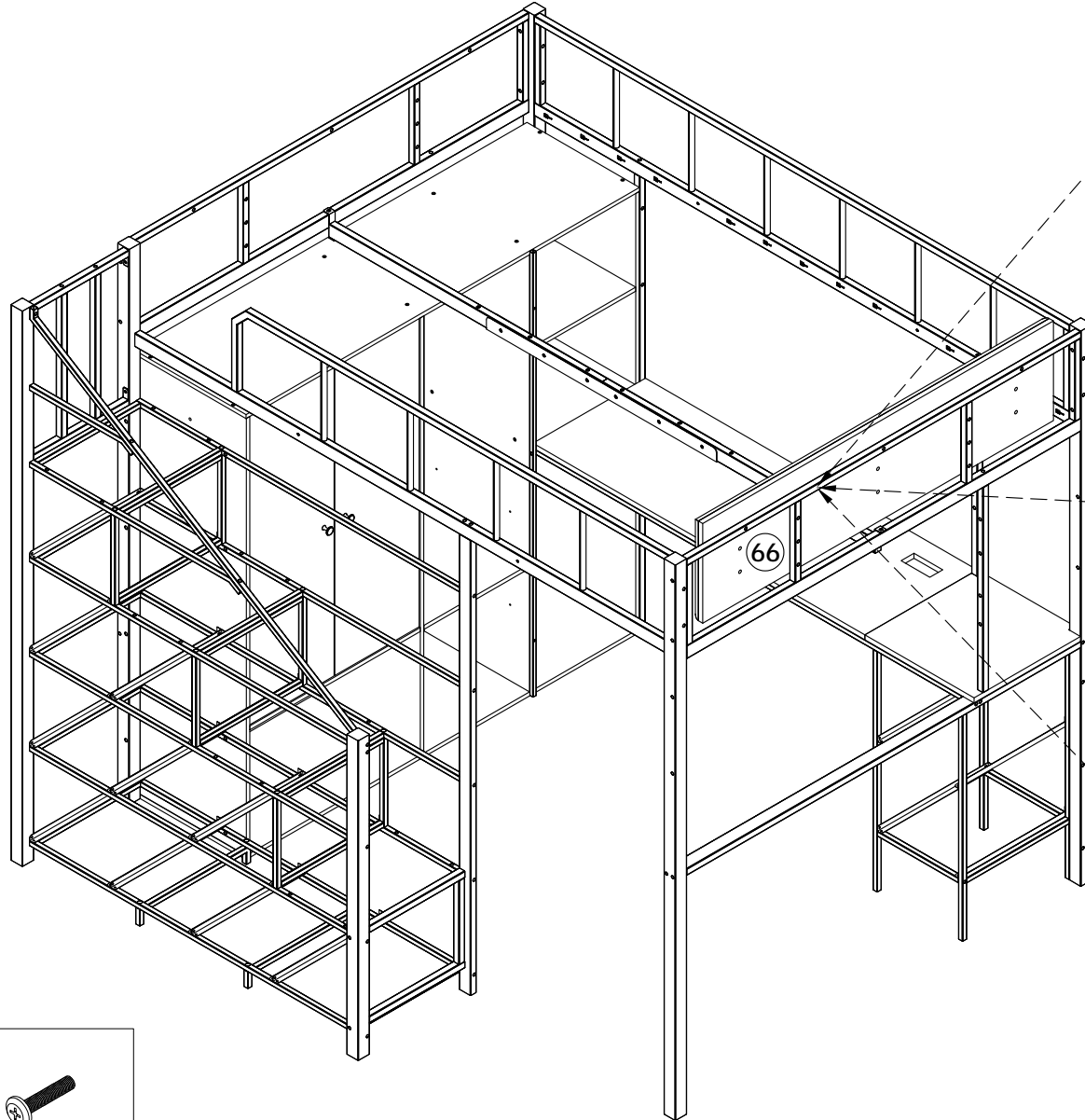
STEP:38



STEP:39

The up-and-down position of the plate 66 can be adjusted as required.

The headboard can be installed at the appropriate position according to the requirements.

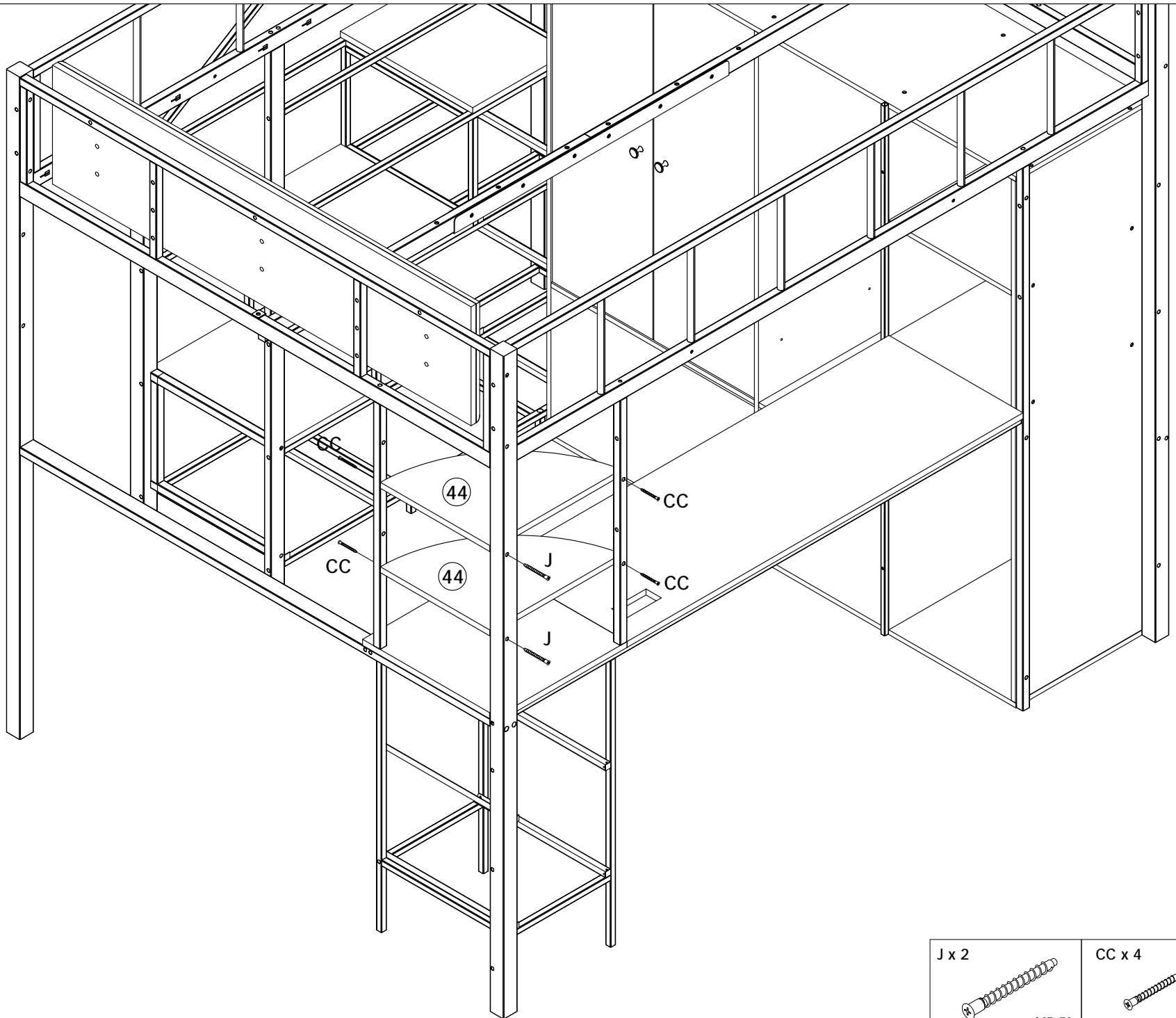


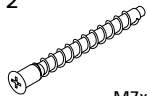

E x 5



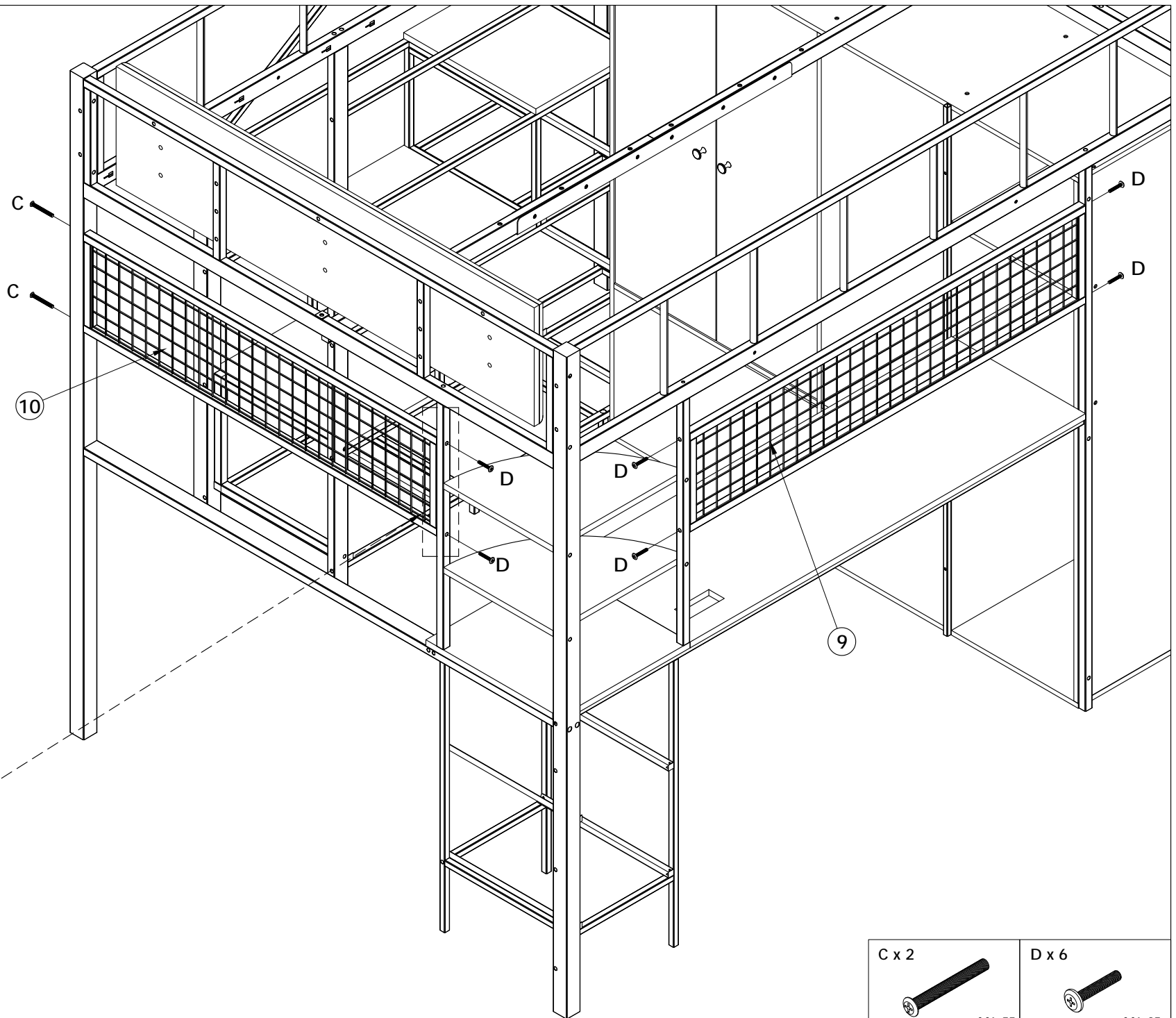
M6x30



STEP:40



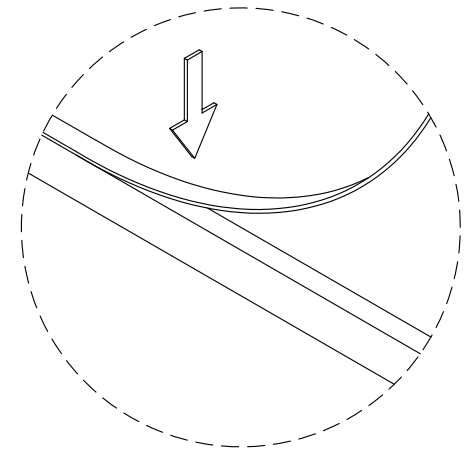
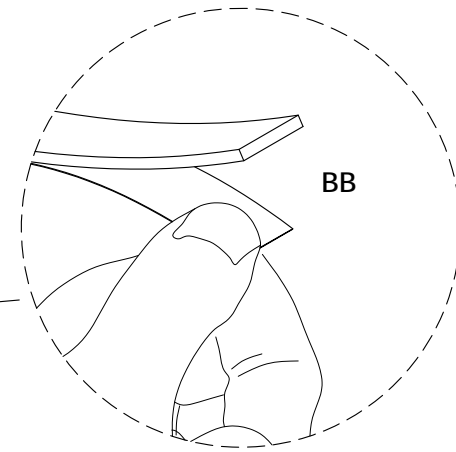
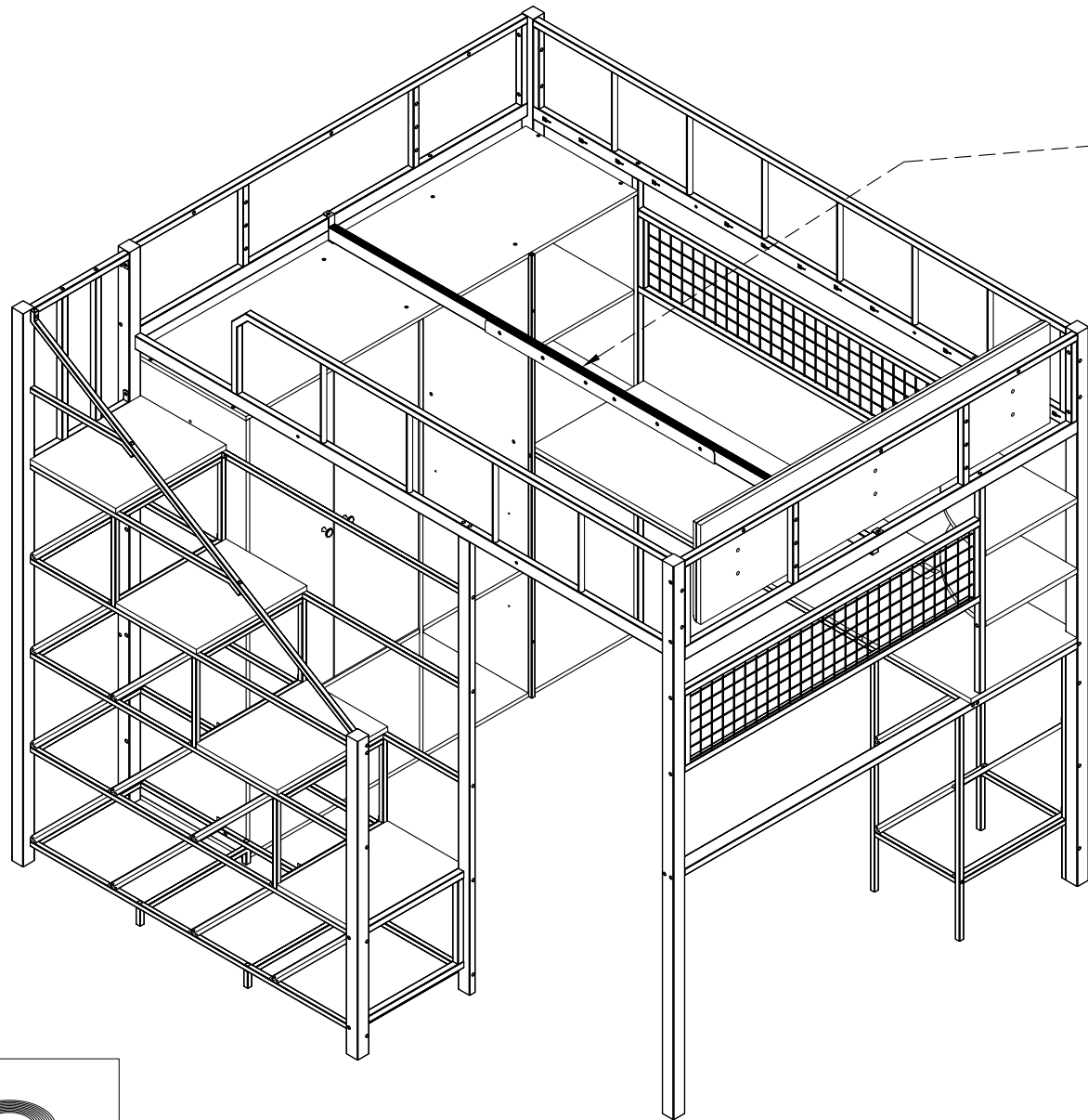
J x 2	CC x 4
	
M7x70	M7x50

STEP:41



C x 2	D x 6
	
M6x55	M6x35

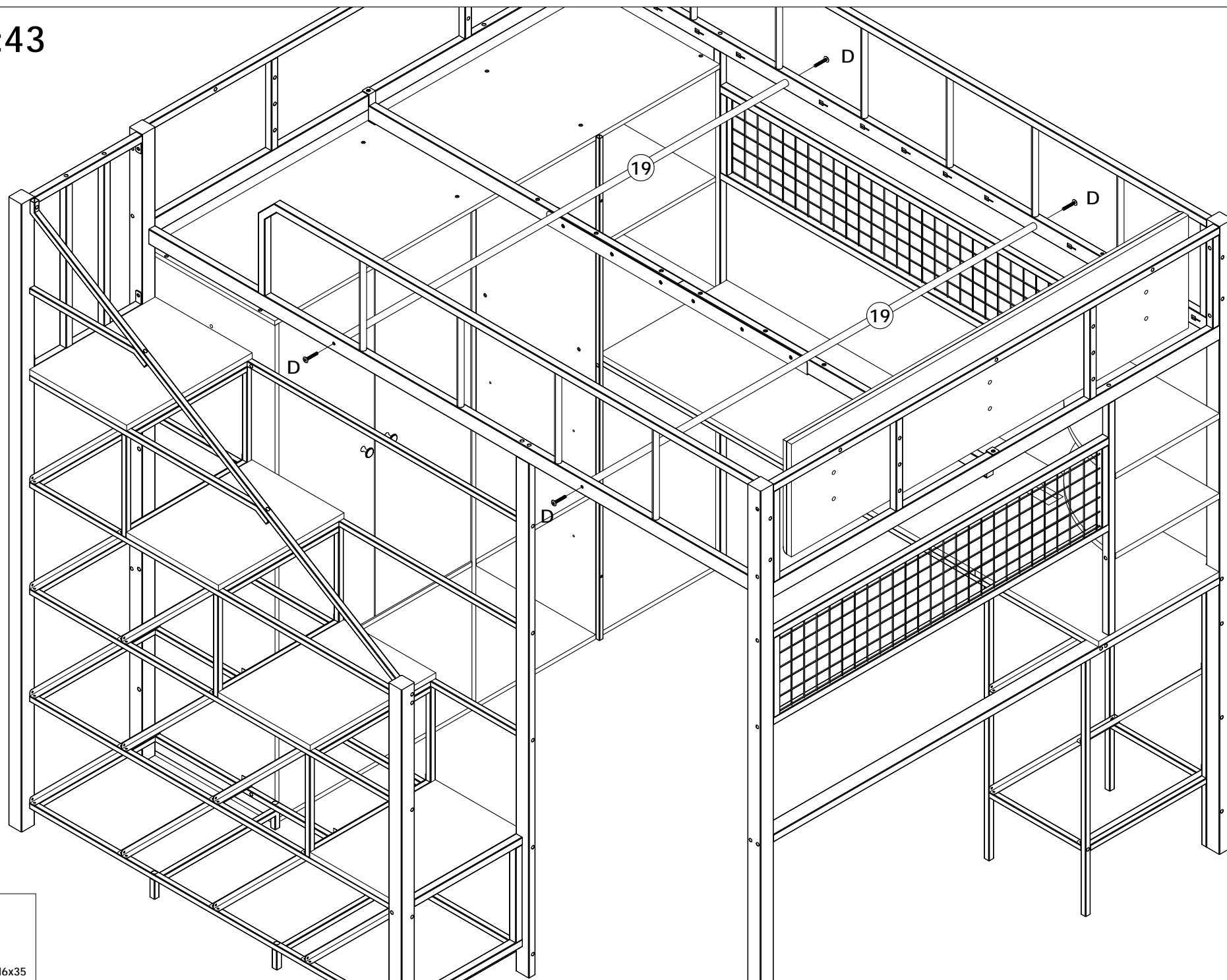
STEP:42



BB x 1



STEP:43

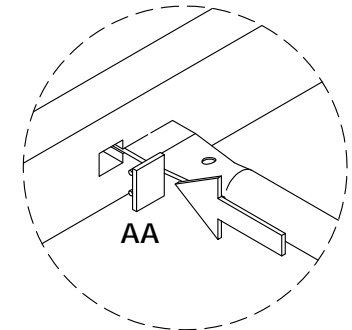
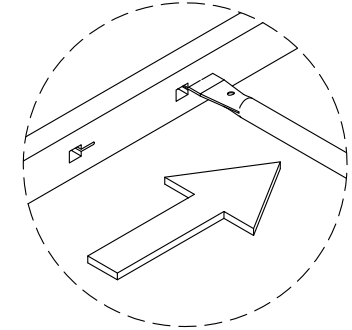
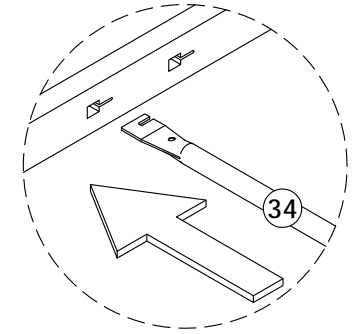
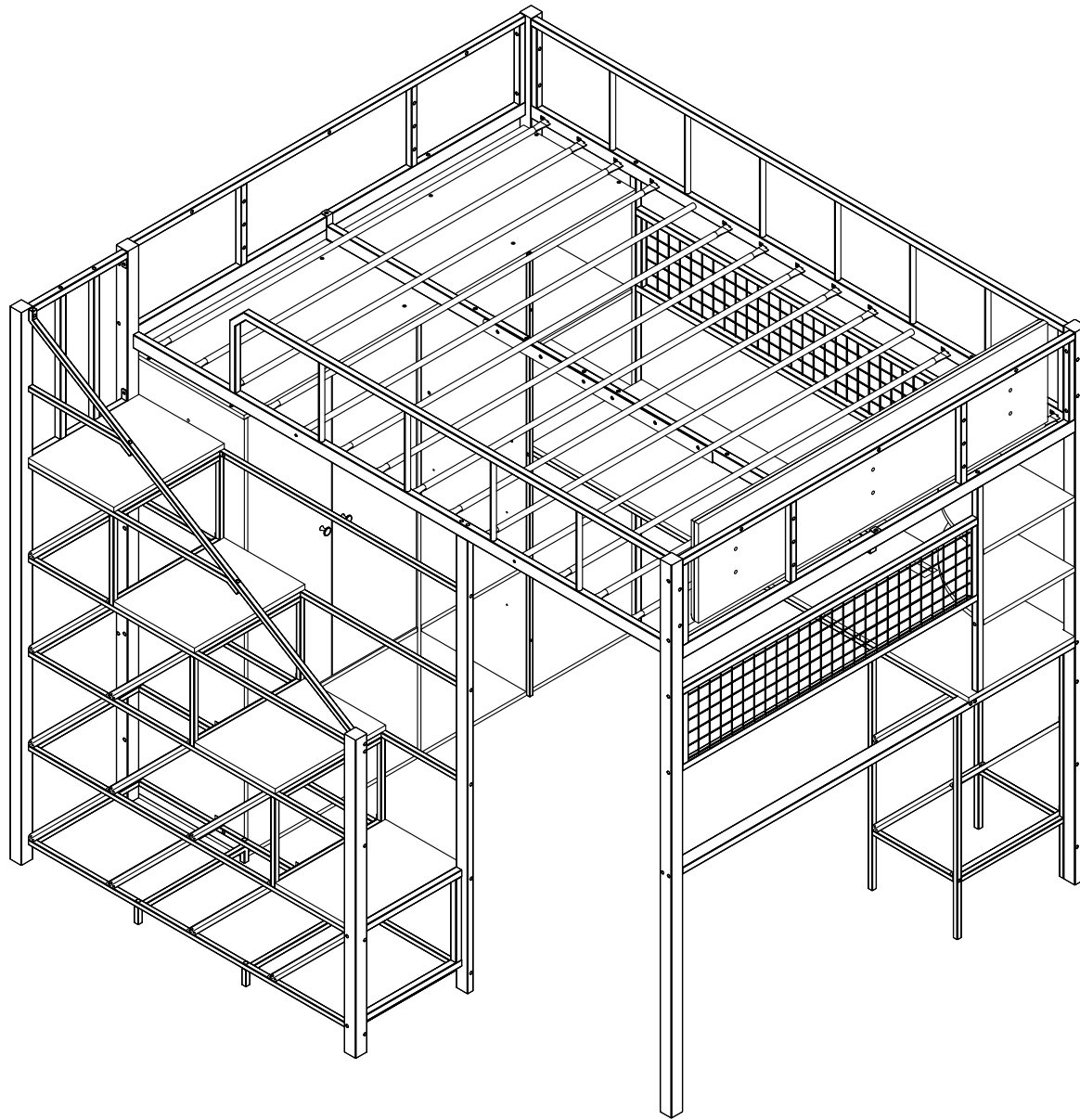


D x 4



M6x35

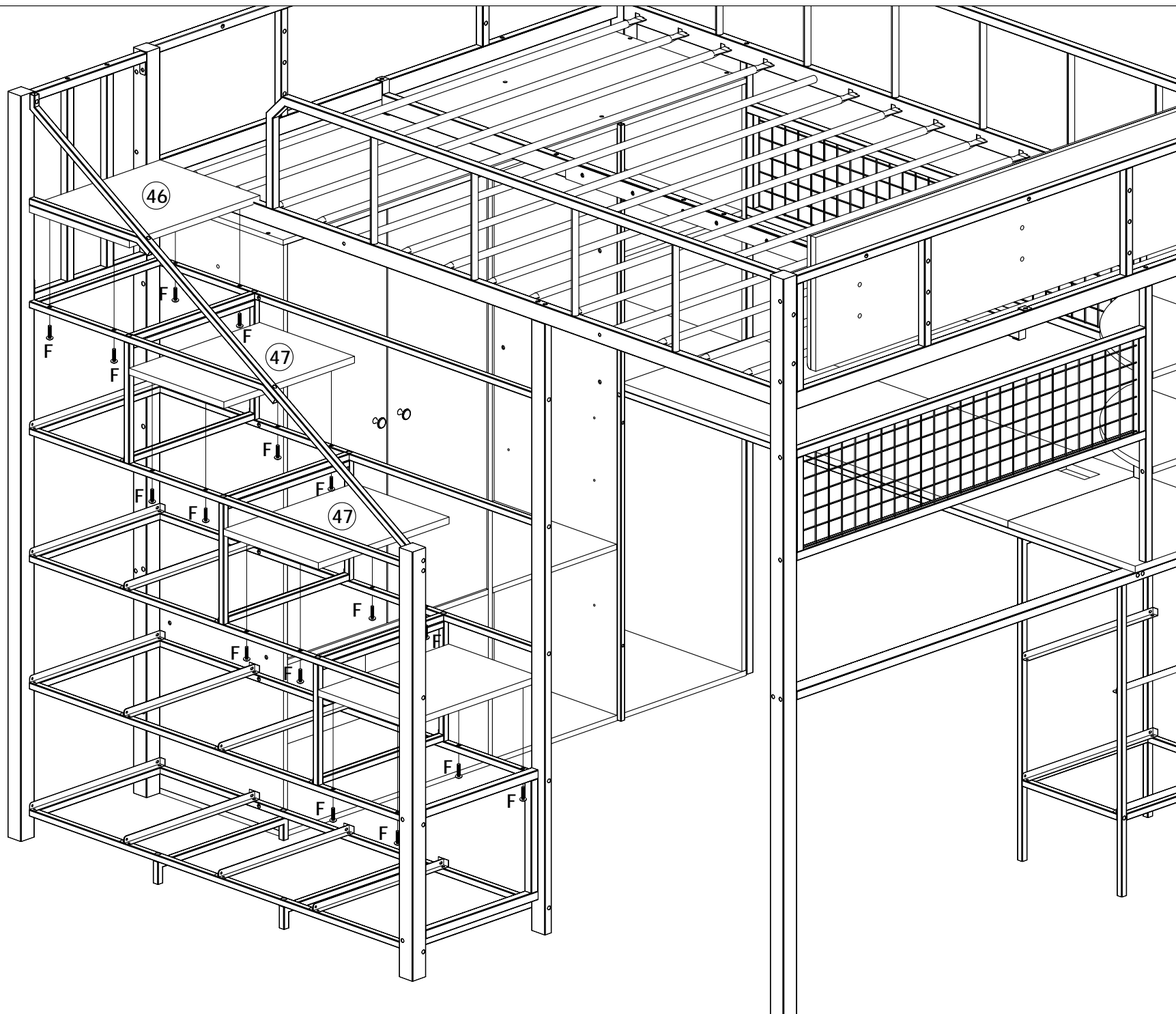
STEP:44



AA x 26



STEP:45

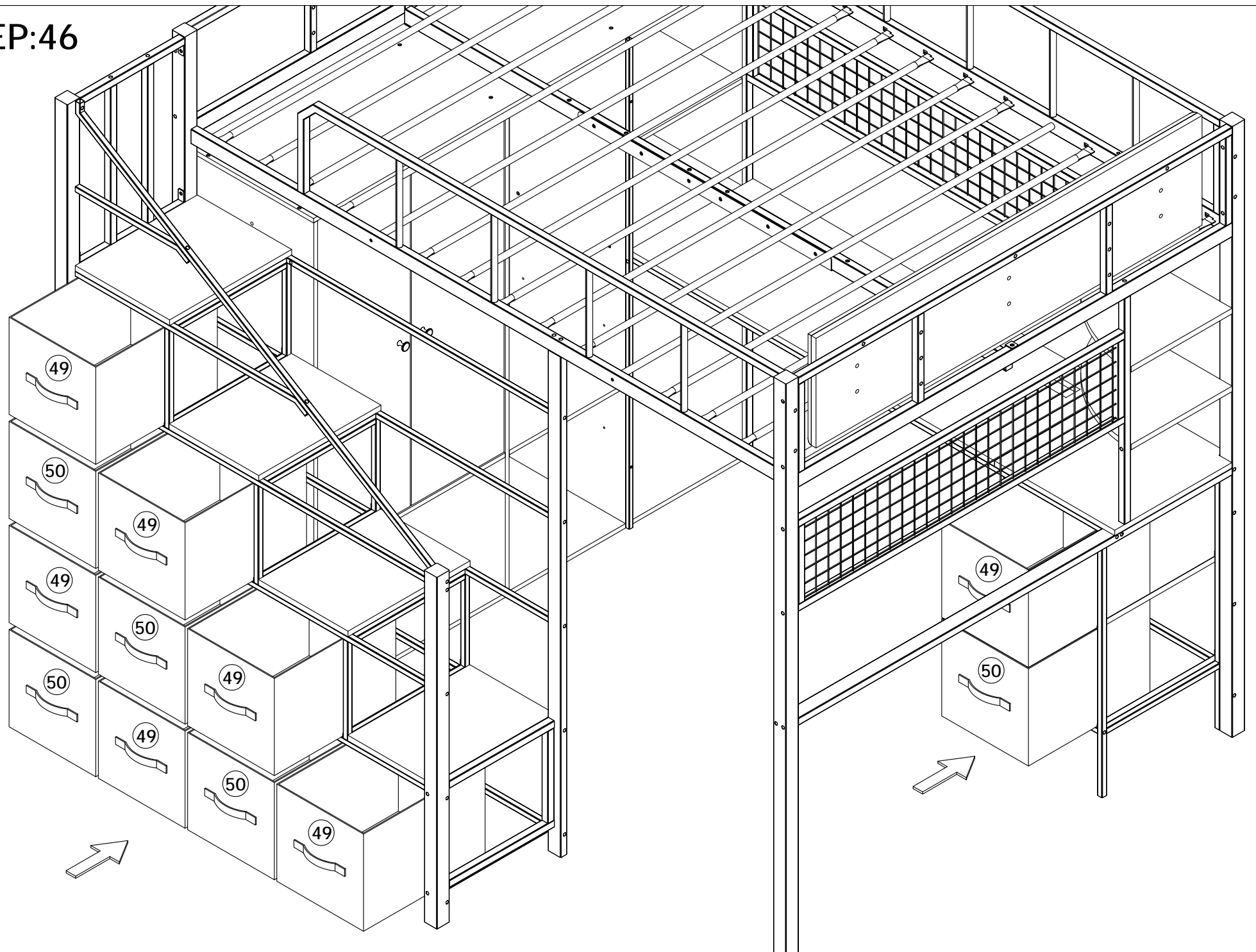


F x 16

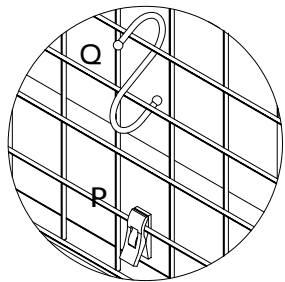
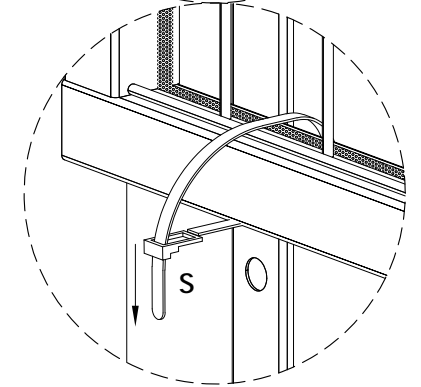
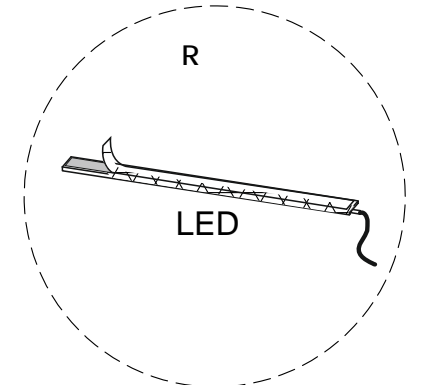
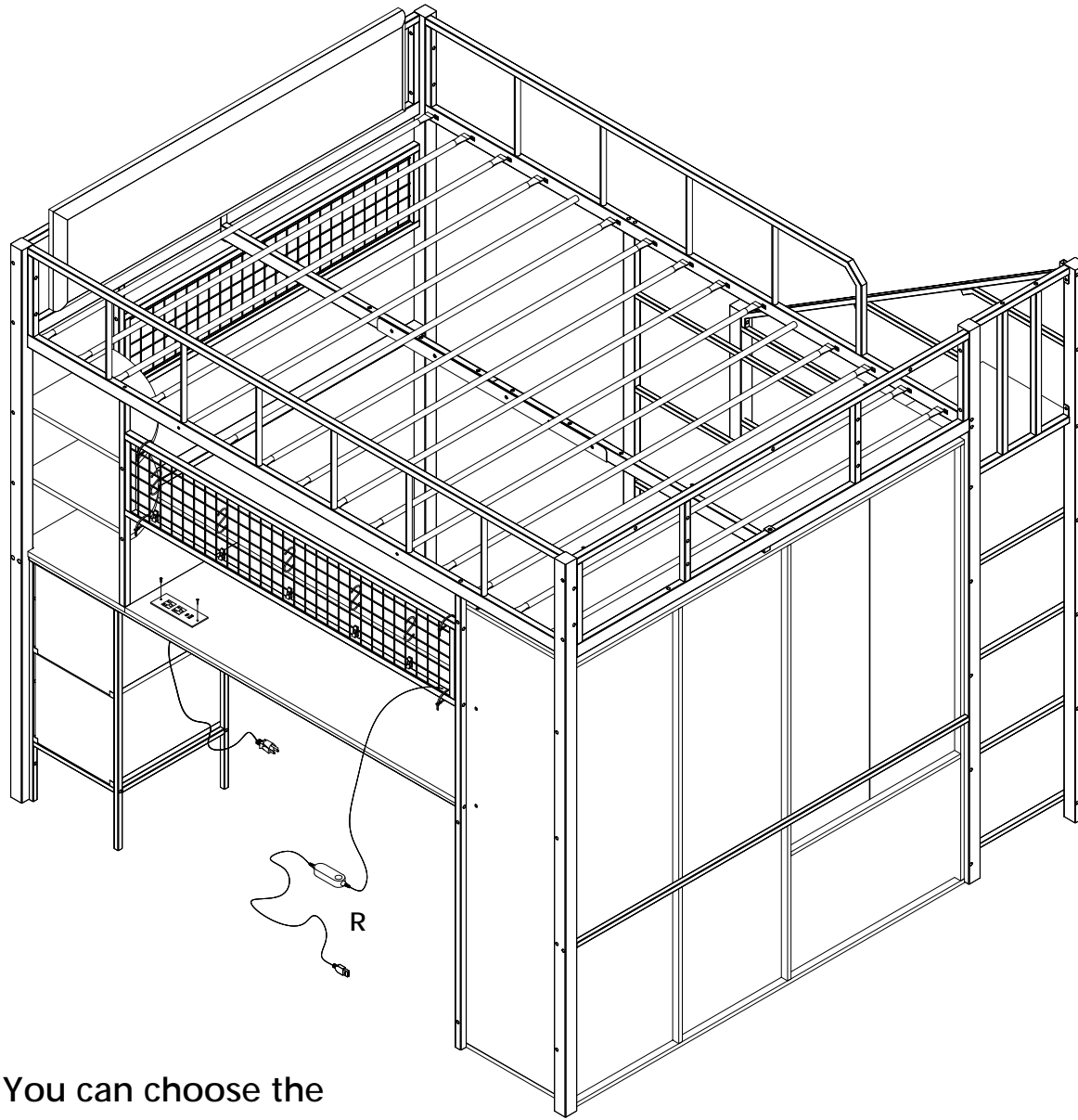
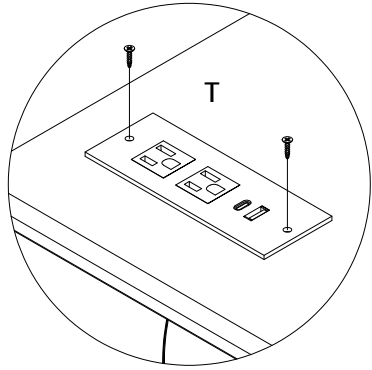


M6x25

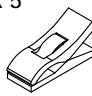
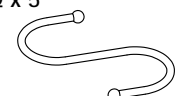
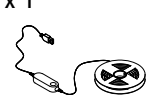


STEP:46



STEP:47



You can choose the location of hardware R and S according to your needs.

P x 5 	Q x 5 	R x 1 	S x 4 	T x 1 
--	--	--	--	--

STEP:48

Use a 5/16 inch (8 mm) diameter stone drill to drill into the wall.

