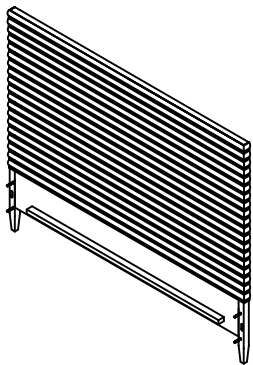
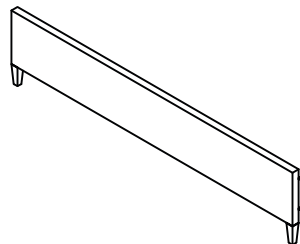


TA82046 ASSEMBLY INSTRUCTION

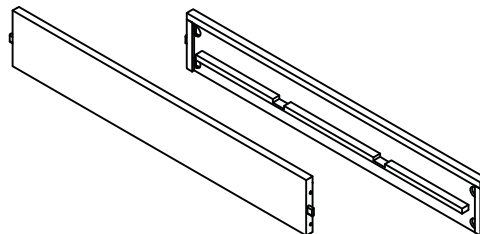
P1 Headboard (x 1)



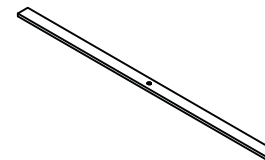
P2 Footboard (x 1)



P3 Side rail (x 1)



P4 Center slat (x 2)



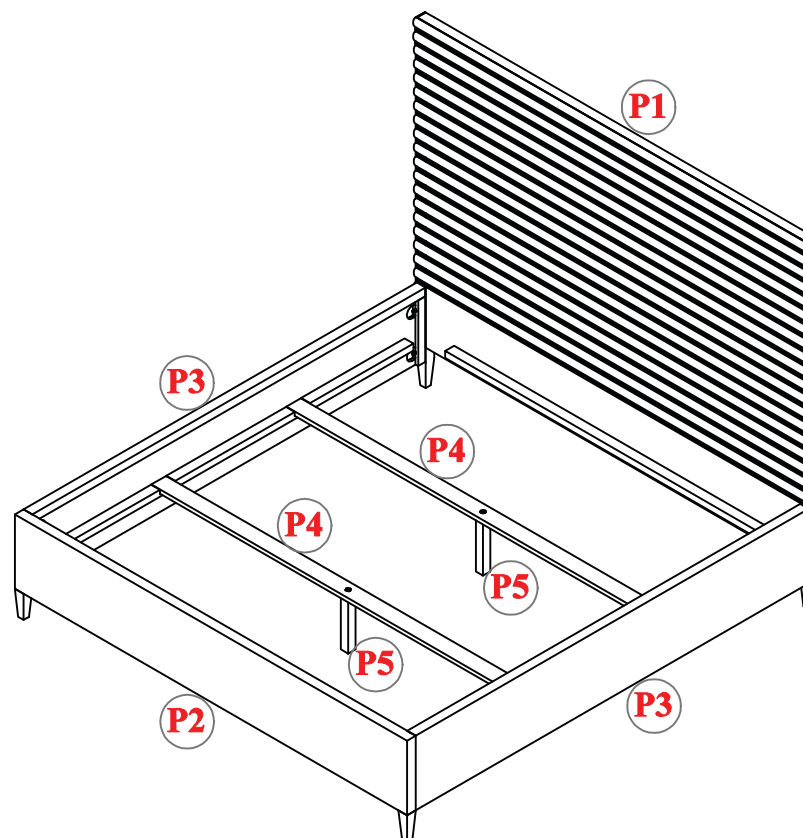
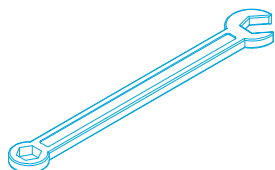
P5 Leg support (x 2)



1 Hexagonal nut, lock,
flat washer (x 8)

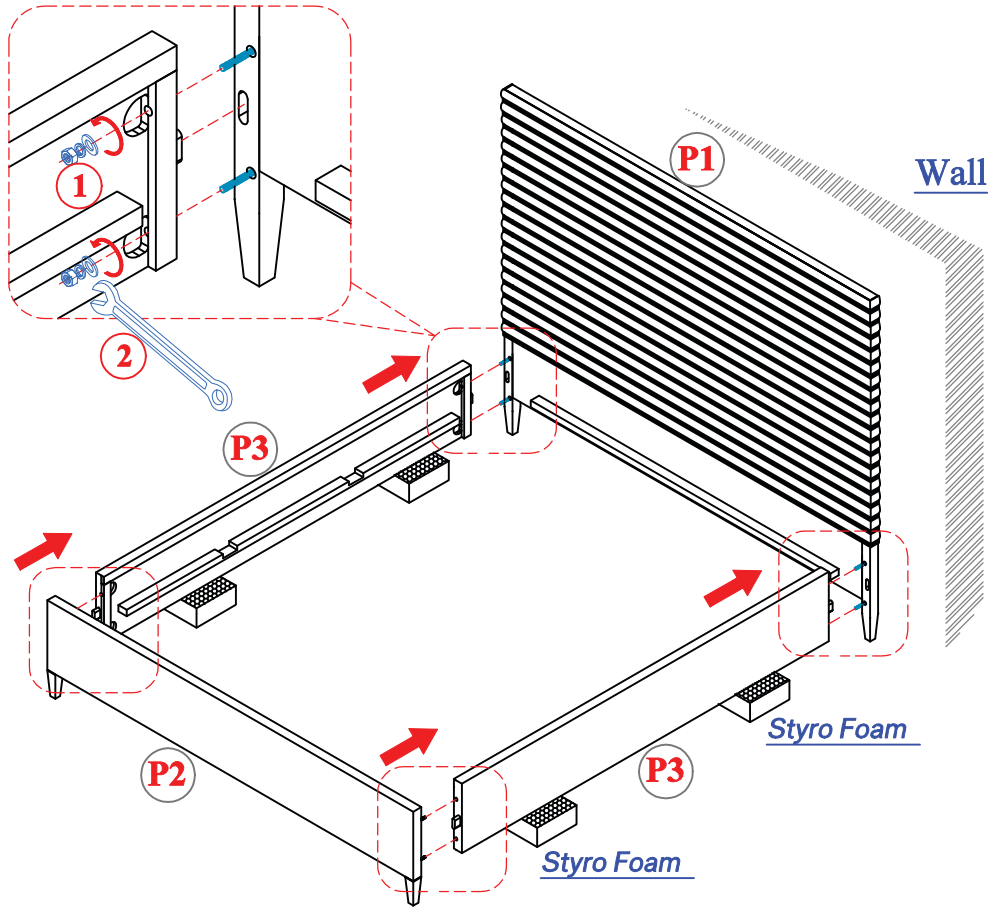


2 Steel open wrench (x 1)



TA82046 ASSEMBLY INSTRUCTION

Step 1 :



Step 2 :

