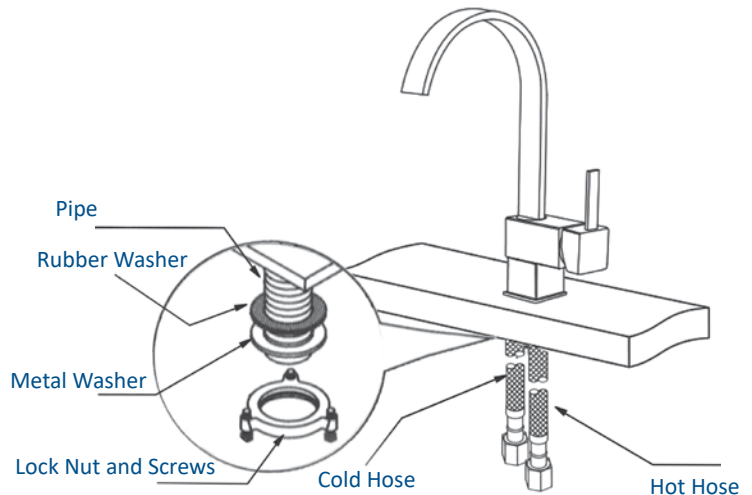
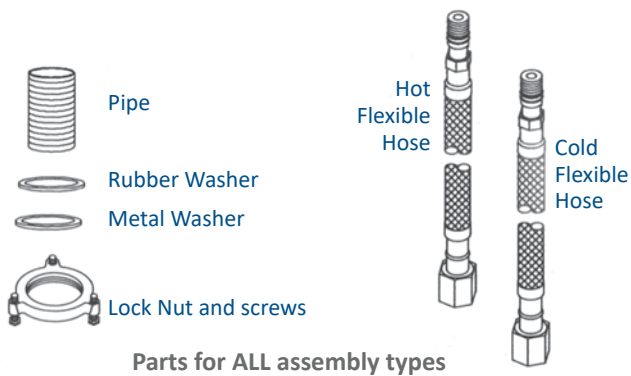
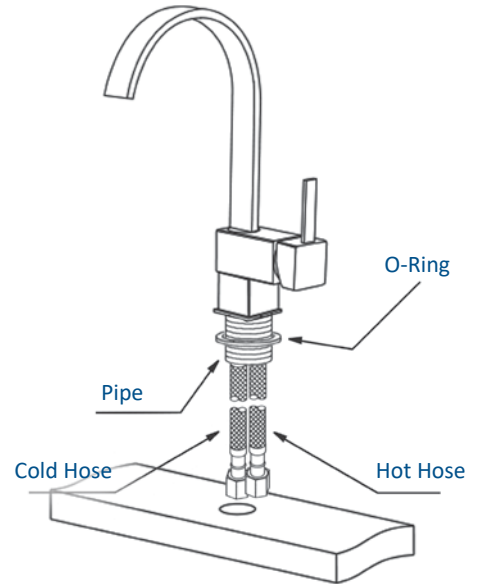


# TYPE ONE ASSEMBLY

## Steps to Complete Kitchen Faucet Install

- **Make sure** water source is completely shut off.
- **Screw the pipe** on to the faucet. Fasten hot and cold flexible hoses into the water supply holes on the bottom of the faucet if necessary.
- **Carefully lower** the faucet through the drilled hole.
- **Slide** the rubber washer and the 1.5-inch metal washer and lock nut onto the pipe and tighten the fastener.
- **Attach the flexible hose** to the supply line source. The flexible hose on the right should be attached to the cold water supply line. The flexible hose on the left should attach to the hot water supply line. Tighten these connections accordingly.
- **With the faucet's** lever wide open, slowly turn the handles on the hot and cold water supply lines to the open position to your desired flow rate. Allow the faucet to run for a couple minutes to get rid of any air pockets.



### Please Note:

- Review and abide by all building and plumbing codes
- Standard codes for Novatto faucets: cUPC/CSA/AB1953
- Novatto faucets need to be installed by a professional
- A 1.5" faucet hole is needed for installation
- Max counter thickness 2"

## TROUBLESHOOTING TIPS

<u>Issue</u>	<u>Reason</u>	<u>Solution</u>
Leakage under the handle	Lock nut has come loose; Ceramic cartridge may be defective	Tighten locking nut; Remove cartridge, check for cracks
Water will not shut off completely	Cartridge may be defective	Remove ceramic cartridge, check for cracks
Finish is changing color or is shiny	Abrasive cleaners, soaps or other factors constantly in contact with it.	Stop using abrasives; Replace parts
Leaking from under the body	Cracked casing inside; Supply lines may be loose	New faucet needed; Tighten supply lines

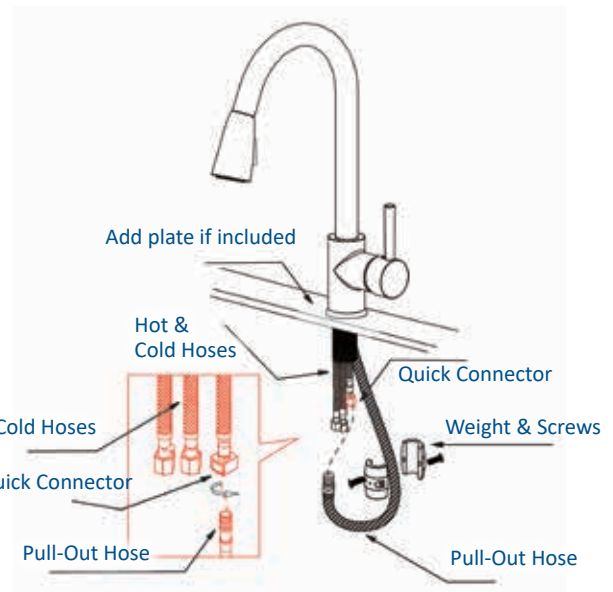
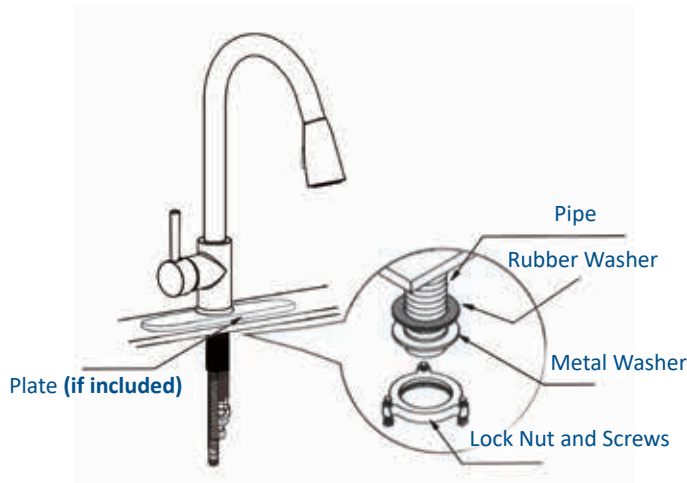
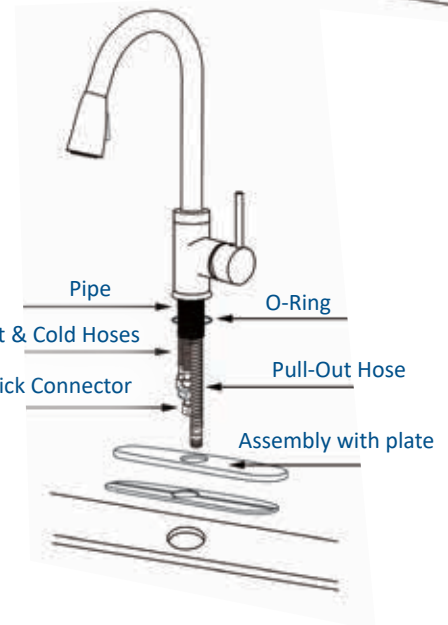
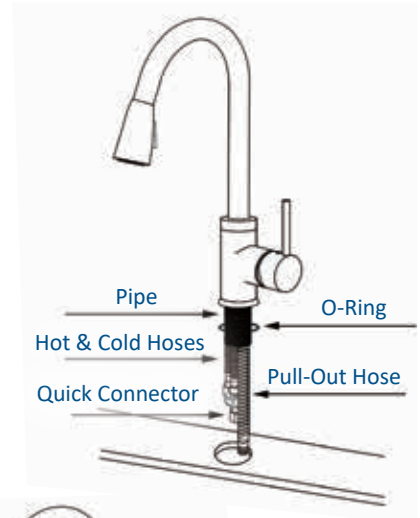
# TYPE TWO & THREE ASSEMBLY

## Steps to Complete Kitchen Faucet Install

Applicable for the following faucet series:

NKF-H07	NKF-H14	NKF-SS06
NKF-H24	NKF-H21	

- **Make sure** water source is completely shut off.
- **Screw the pipe** on to the faucet. Fasten hot and cold flexible hoses into the water supply holes on the bottom of the faucet if necessary.
- **Carefully lower** the faucet through the panel (if included) and counter hole.
- **Slide** the rubber washer and the 1.5-inch metal washer and lock nut onto the pipe and tighten the fastener.
- **Connect pull-out hose** with quick connector. Assemble the weight and screws on the pull-out hose, then connect to the supply line source. The flexible hose on the right should be attached to the cold water supply line. The flexible hose on the left should attach to the hot water supply line. Tighten these connections accordingly.
- **With the faucet's** lever wide open, slowly turn the handles on the hot and cold water supply lines to the open position to your desire flow rate. Allow the faucet to run for a few minutes to get rid of any air pockets.



## TOOLS NEEDED FOR ASSEMBLY

(not included)



Crescent Wrench



Phillips

Questions, problems, missing parts? Before returning to your retailer, call our customer service department at 844.404.4242, 8:00 a.m. - 5 p.m., MT, Monday - Friday or email us at: [support@novattoinc.com](mailto:support@novattoinc.com)