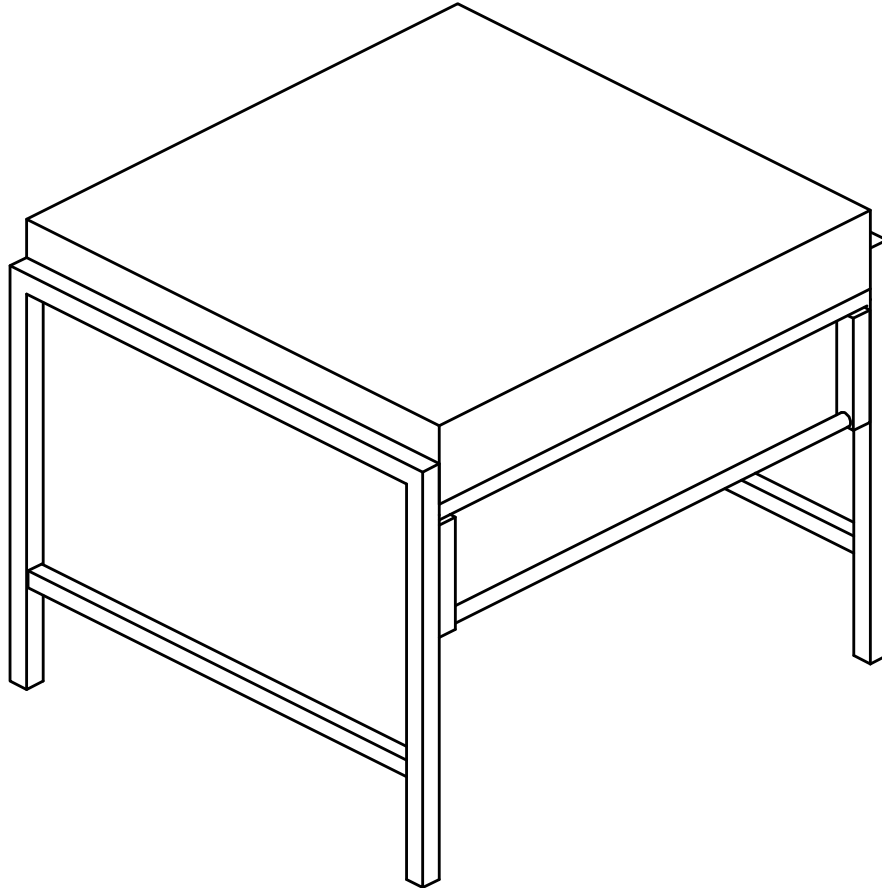


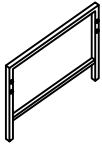

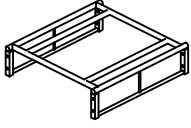
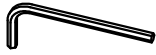

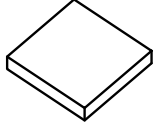
Assembly Instructions



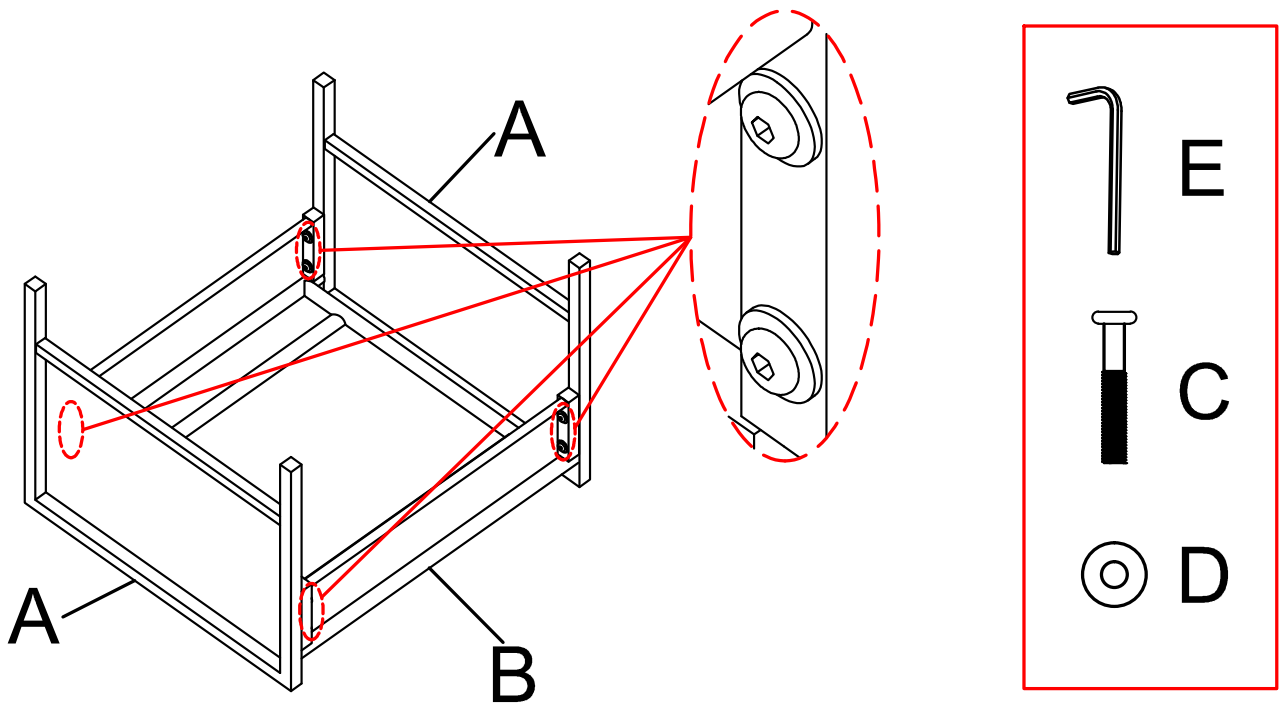
***Don't fully tighten all the bolts till the very end!**

PRE-ASSEMBLY PREPARATION:

- Please read through the instructions before beginning assembly.
- Clear out the space for assembly and lay out all of the parts based on the Parts List, extra room will allow you to easily determine if all the pieces are present.
- Keep small parts and pieces away from children until fully assembled.

Part no.	Part	QTY	Image	Part no.	Part	QTY	Image
A	Side panel	2		D	Washer	8	
B	Top panel	1		E	Allen wrench	1	
C	Bolt M6*12mm	8		F	Cushion	1	

Step 1: Attach 2pcs side panel A to top panel B with 8pcs bolts C and 8pcs washers E ,using Allen wrench E.



Step 2: Put the cushion F to the seat, now the ottoman is ready for use .

